

12" Hard Surface Cleaner

Designed for gasoline pressure washers
with screw-on trigger guns up to 2650 PSI.

2.641-005.0

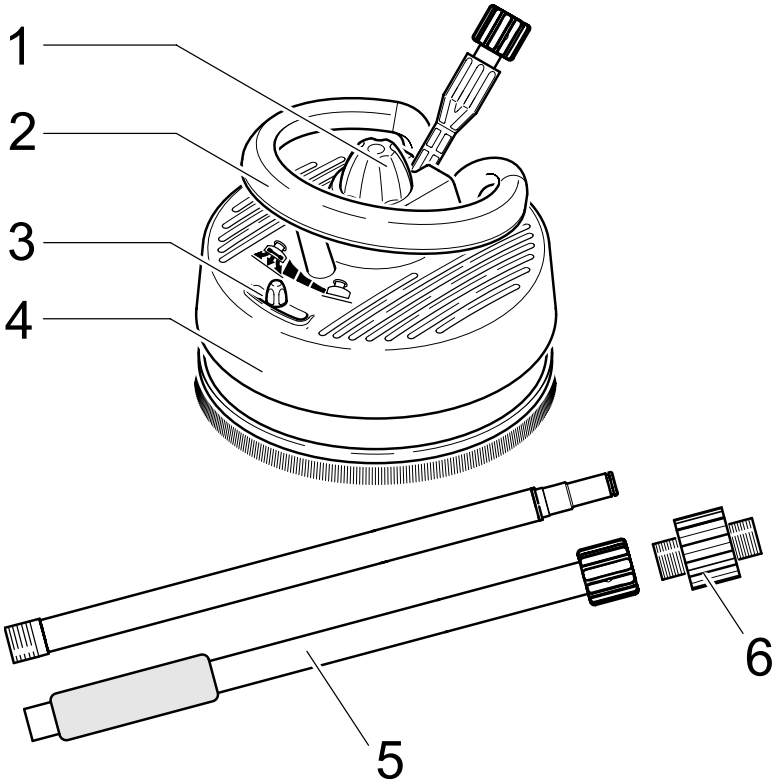
T 350 OVERVIEW

Item Description

- 1 Nozzle height adjustment
- 2 Hand grip
- 3 Air flow control (hovering effect)

Item Description

- 4 Housing
- 5 Handle (2 piece)
- 6 Adaptor



2

Kärcher Support USA

Call: **1-800-537-4129** for help
or visit our website: **www.karcher-usa.com/home**

Kärcher Customer Service CDN

Call: **1-800-465-4980** for help
or visit our website: **www.karcher.ca**

Kärcher Support Mexico

Call: **01-800-024-13-13** for help
or visit our website: **www.karcher.com.mx**

IMPORTANT SAFETY INSTRUCTIONS

- ⚠ **WARNING** – When using this product basic precautions should always be followed, including the following:
 - ⚠ Read all the instructions before using the product.
 - ⚠ Please observe the safety instructions of your pressure washer.
 - ⚠ The T-Racer must not be used by children.
 - ⚠ Only trigger the gun of the pressure washer if the T-Racer is located on the surface to be cleaned.
 - ⚠ Keep all persons/animals clear of the immediate vicinity of the cleaning head.
 - ⚠ Keep hands away from moving parts.
 - ⚠ Turn off the pressure washer when examining or changing the T-Racer and after the completion of the cleaning operation.
 - ⚠ Maximum water temperature allowed is 140 °F/ 60 °C. Please follow the instructions for your pressure washer.

– SAVE THESE INSTRUCTIONS –

CAUTION!

- Do not use on windows.
- The T-Racer is not suited for scouring or scrubbing!
- Do not run over freestanding corners!
- For the optimum setting, test the T-Racer in an inconspicuous area.
- Never operate in the same area for more than 2 seconds, damage may occur.

Intended Use

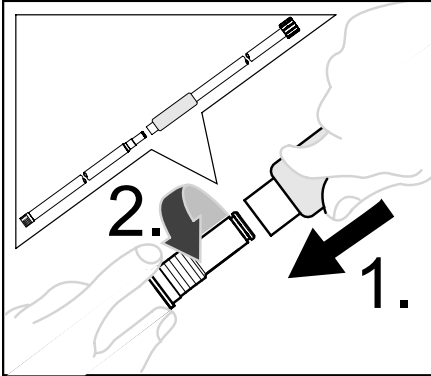
The T350 T-Racer can be used with all Kärcher gasoline pressure washers with 2400 to 2650 PSI and most other gasoline pressure washers with screw-on trigger guns up to 2650 PSI (with included adaptor).

Use on *horizontal surfaces* like driveways, patios, side walks, etc.

Use on *vertical surfaces* like brick walls, hardiplank, stucco and other siding. (Always test in inconspicuous area first.)

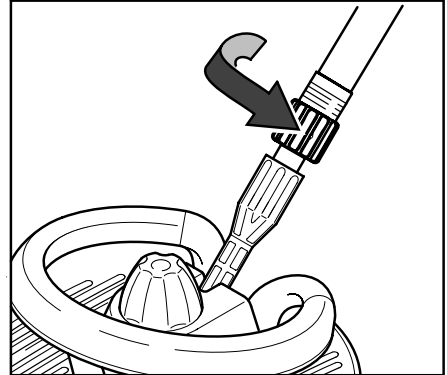
The T350 has not been designed for commercial use. Commercial users should consider Kärcher's FR 30 Hard Surface Cleaner

ASSEMBLY INSTRUCTIONS



Step 1

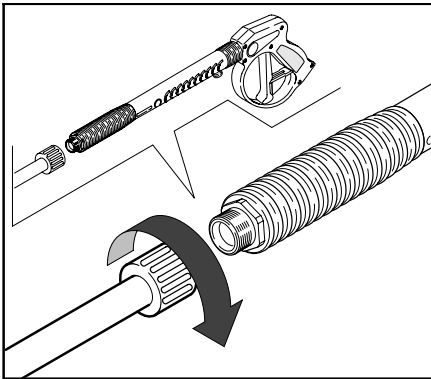
- Insert upper handle into the lower handle by twisting together.



Step 2

- Insert lower handle into main housing.
- Turn collar clockwise until tight.

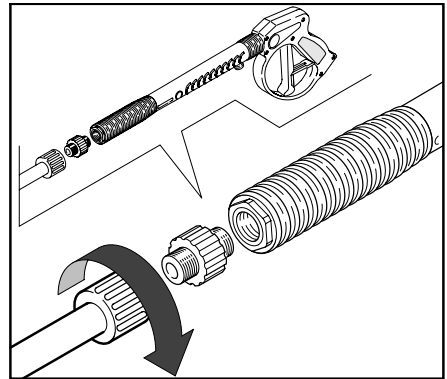
4



Step 3

For Kärcher with male screw-on trigger gun.

- Insert male screw-on trigger gun into upper handle.
- Turn collar clockwise until tight.



Step 3

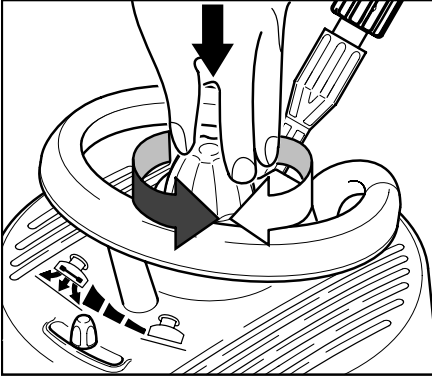
For female screw-on trigger gun.

- Screw adaptor on female screw-on trigger gun.
- Insert trigger gun with adaptor into upper handle.
- Turn collar clockwise until tight.

Cleaning vertical surfaces

- Connect the T-Racer directly with the trigger gun.

OPERATION CONTROLS



Spray Power

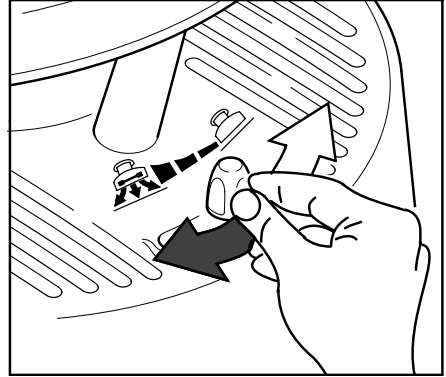
Adjust height of propeller spray head.

For sensitive surfaces

- Turn nozzle height adjustment clockwise.

For hard surfaces

- Turn nozzle height adjustment counterclockwise.



Air Flow Control

Adjust the hovercraft effect of the T-Racer by pushing the Air Flow Control into one of the positions from “No hovercraft effect” to “Full hovercraft effect”.

No hovercraft effect

(Air flow vents closed)

- Push counterclockwise to the stop.

Full hovercraft effect

(Air flow vents opened)

- Push clockwise to the stop.



Please Note:

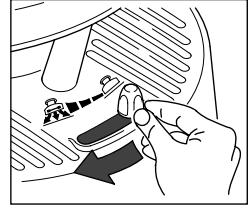
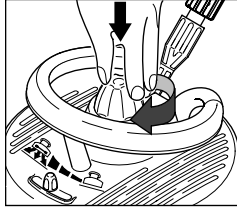
- For optimum setting test the T-Racer in an inconspicuous area first.
- Never operate in the same area for more than 2 seconds, damage may occur.
- Do not use on windows.

APPLICATION DIRECTIONS

Suggested Settings for Typical Applications

Horizontal Wood and Decks

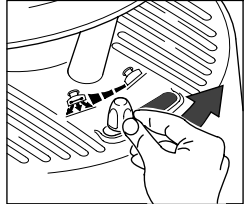
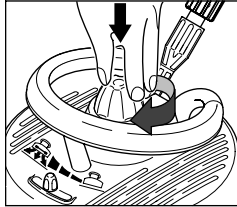
- Adjust height of the spray head clockwise.
- Open the air flow vents.



Vertical Wood, Siding and Facades

- Connect the T-Racer directly with the trigger gun.
- Adjust height of the spray head clockwise.
- Close the air flow vents.

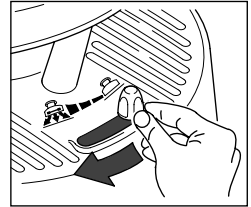
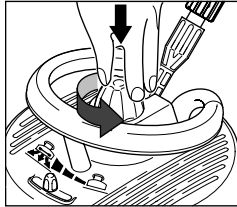
Do not use on windows.



6

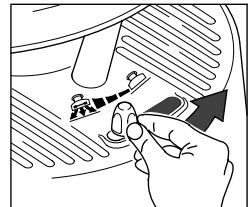
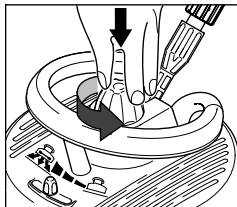
Horizontal Tile, Concrete and Stone

- Adjust height of the spray head counterclockwise.
- Open the air flow vents.



Vertical Tile, Concrete and Stone

- Connect the T-Racer directly with the trigger gun.
- Adjust height of the spray head counterclockwise.
- Close the air flow vents.



⚠ Cleaning of vertical surfaces:

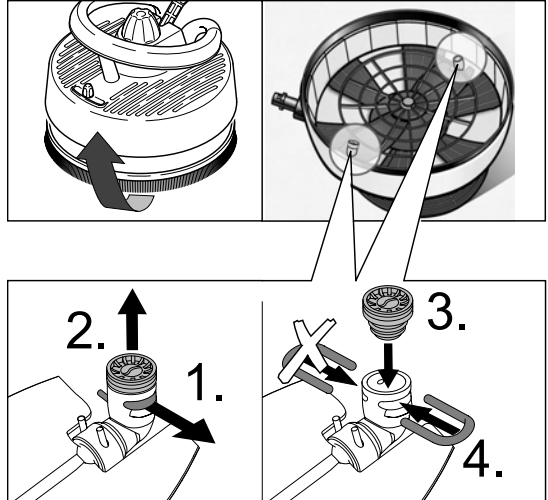
Always hold Trigger Gun and T-Racer with both hands.

Do not reach under the edge of the T-Racer while the device is in operation.

REPLACEMENT OF THE NOZZLES

Note: The nozzles must be removed for cleaning or for the exchange of the nozzles.

1. Remove the clamp.
2. Pull out the old nozzle.
3. Insert the new nozzle.
4. Secure nozzle with clamp.



Kärcher Support USA

Call: **1-800-537-4129** for help
or visit our website: www.karcher-usa.com/home

Kärcher Customer Service CDN

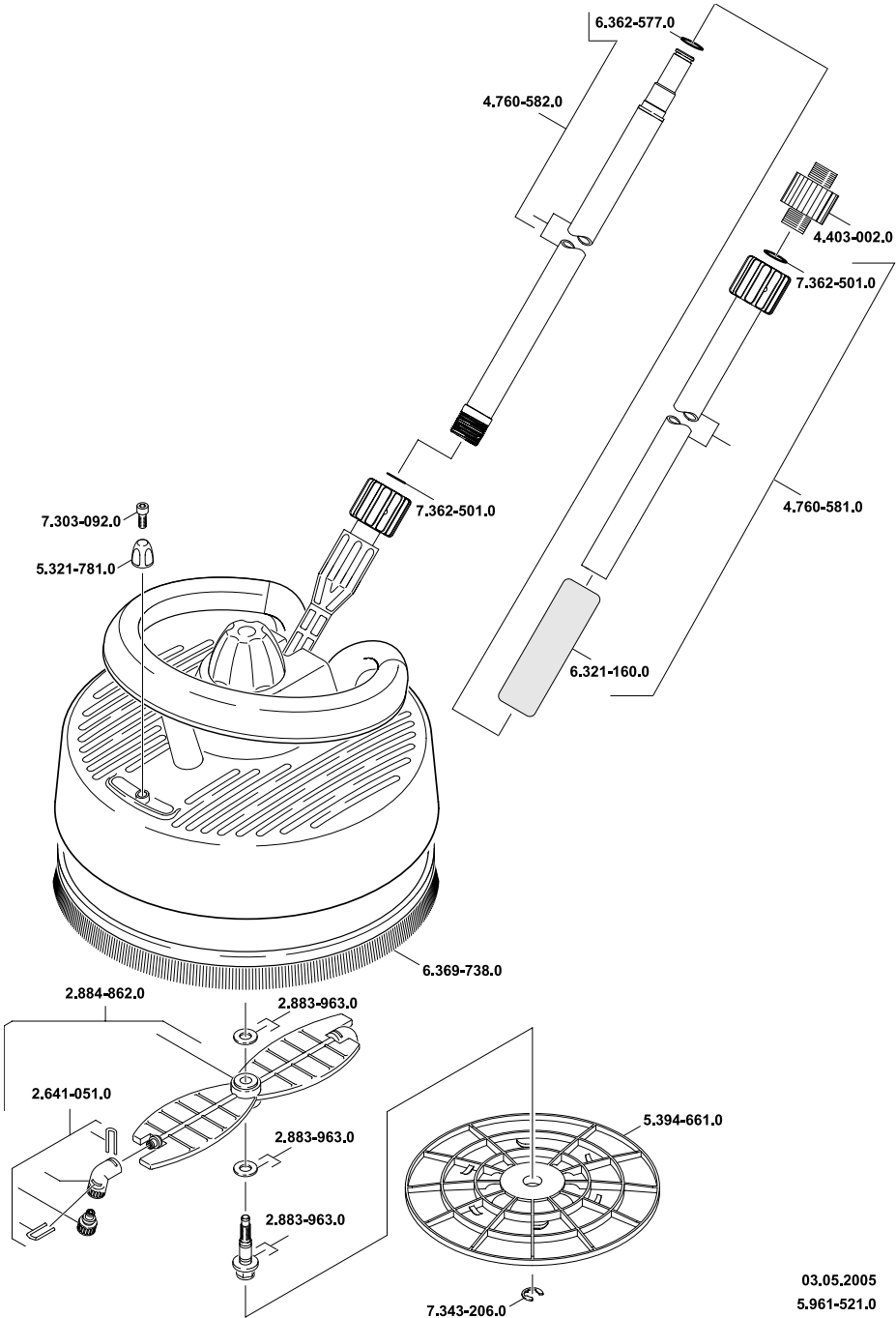
Call: **1-800-465-4980** for help
or visit our website: www.karcher.ca

Kärcher Support Mexico

Call: **01-800-024-13-13** for help
or visit our website: www.karcher.com.mx

PARTS LIST

8



03.05.2005
5.961-521.0