

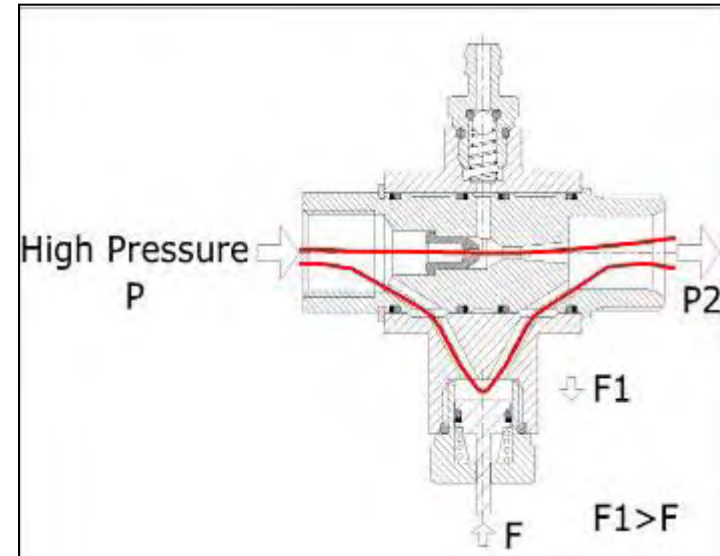
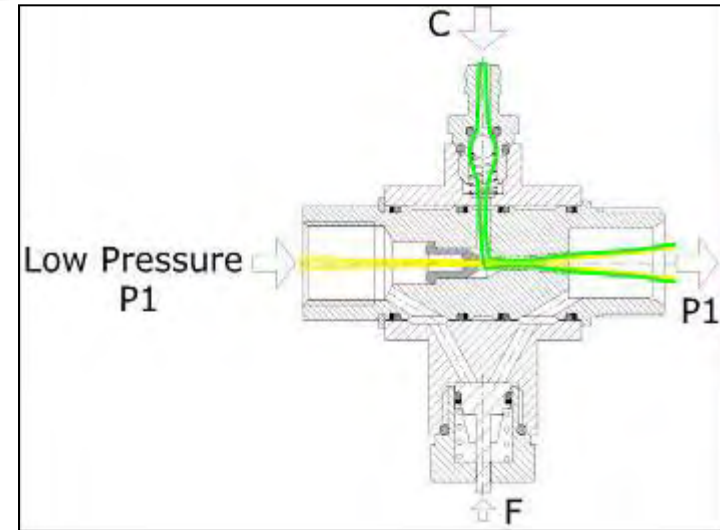
# FNA PowerBOOST®™ Technology

- New PowerBoost ®™ Technology Makes Units Strongest Impact Pressure at the Nozzle in the market.
- This Allows for Greater Cleaning Results, Reduction of Cleaning Time, and most importantly greater WalMart Customer Satisfaction
- Strongest Electric Pump in Market for Consumer Electric Pressure Washers



# FNA PowerBOOST®™ Technology

- FNA PowerBOOST® innovation allows for the by-pass of the chemical injection nozzle circuit when chemical injection is not activated.
- Chemical injection is activated when using a low pressure nozzle. The low pressure water stream (yellow) crosses the chemical nozzle circuit that intakes the chemical (green).
- When using a high pressure nozzle setting, the high pressure water stream (red) will automatically by-pass the chemical nozzle. Cleaning power will be maximized because the PowerBOOST® innovation prevents the pressure and flow loss traditionally caused by the chemical nozzle circuit.
- FNA PowerBOOST® Pump is Patent Pending



## **FNA PowerBOOST®™ Means More Power**

**A typical axial pump loses between 150-200 PSI due to its chemical suction feature. The FNA PowerBOOST™ pump bypasses the chemical suction feature allowing ratings never seen before in the market!**

**This Revolutionary Pump Technology affords the capability to increase the cleaning units up to 14% using the same engine Torque and Horsepower configurations.**



**Heavy Duty Universal Motor**  
**with Total Stop**

*Automatic shut off when trigger is released*  
*Increases Life of the Motor / Pump*

**New Dual: Power Cord & Hose Storage Wheel in rear of unit**

*Neat Storage Caddy to keep all in one!*

**Click-N-Clean®™ 3n1 Vario Nozzle System**

*0,25, Soap Nozzle*

**Turbo Nozzle & Lance**

**23' Gun & Hose Assembly**

*Non-Marking Hose Detaches Quickly!*

**1 year warranty supported by FNA Group**

**On-Board Detergent Tank**



**New Sleek Innovative Design**

*Never seen before in Market*

**Lance & Gun Storage**



**35' Power Cord**

**New LED Indicator On-Off Switch**

*Helps Consumer understand unit is on and working properly.*

**Large Wheels**  
*For Ease of Mobility*

**Aluminum High Pressure Pump**

*Durable Construction*  
*Garden Hose Connection*

- **Additional Key Features:**

- Never seen before in market
- **Patented PowerBoost®™ Technology Included**
- **Click-N-Clean®™ 3n1 Vario Nozzle System**
  - 0, 45, Soap: Vario Nozzle System
- **Turbo Nozzle and Lance**
- **Dual Power Cord & High Pressure Hose Storage Wheel in rear of unit**
- **23ft of High Pressure Washer Hose**
- **New LED Indicator On-Off Switch**
- **Aluminum Garden Hose Connector**
- **35ft Power Cord with GFCI Protection**
- **Aluminum High Pressure Washer Pump**
- **On-Board Detergent Tank**
- **On-Board Storage for Gun and Lances**
- **FNA World Class Product Support & Limited 1 Year Warranty**

