

SAFETY PRECAUTIONS

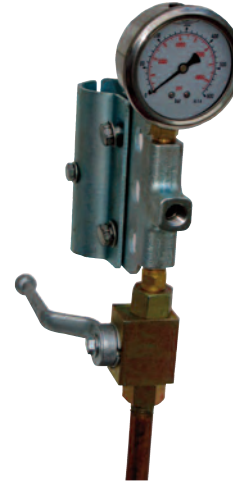
1. Make sure incoming pressure does not exceed the rated pressure.
2. Use proper eye protection when assembling and using the hose reel.
3. Assemble the hose reel on a clean workbench free of debris and moisture.
4. Use soap and water when checking for air leaks.
5. Keep children away from work area.

WARNING!

Exposure of skin directly to pressurized air or fluids could result in severe bodily injury!

Ref 300900 Rev. B
03 13

General Pump
1174 Northland Drive • Mendota Heights, MN 55120
Phone: 651.686.2199 • Fax: 800.535.1745
www.generalpump.com • email: sales@gpcompanies.com



- FULL FLOW BALL VALVE
- GLYCERINE FILLED GAUGE
- 5,000 PSI
- 1/4" NPT-F INLET
- 1/4" NPT-F OUTLET
- SOLID STEEL CONSTRUCTION
- NOZZLES INCLUDED

BALL VALVE AND GAUGE KIT FROM GENERAL PUMP

2100358

OPERATOR'S MANUAL

Ref 300900 Rev. B
03 13



General Pump
is a member of
The Interpump Group



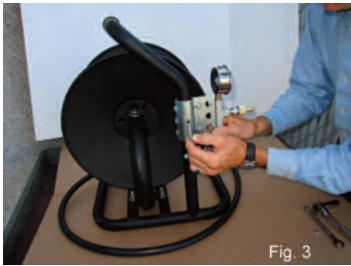
ASSEMBLY INSTRUCTIONS



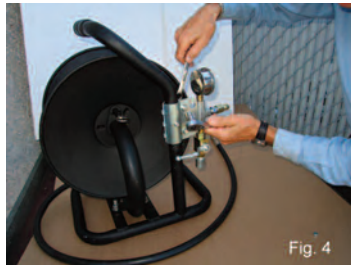
Wrap manifold bracket around handle interlocking ears on bracket.



Secure manifold bracket with (3) M8 nuts and bolts. Do not tighten.



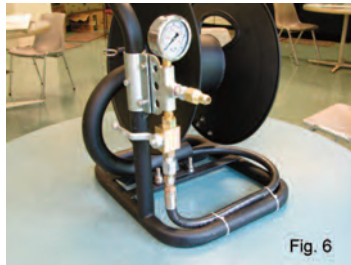
Align manifold bracket with hole in handle and insert M6 nut and bolt.



Tighten M8 nuts and bolts.

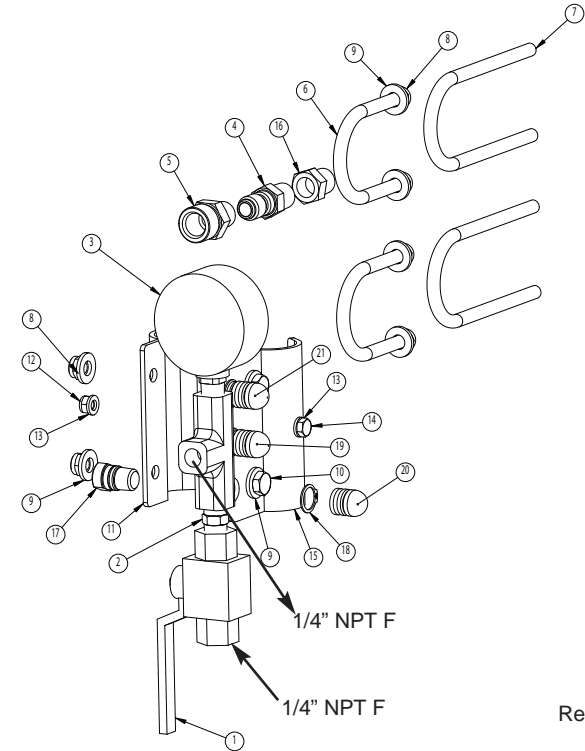
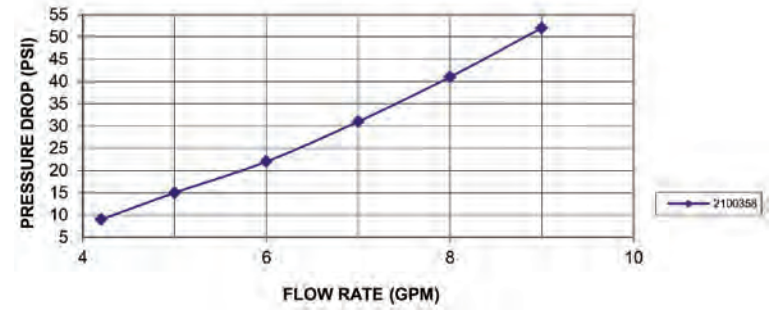


Tighten M6 nut and bolt.



Attach hose reel inlet hose to valve and secure hose to frame as needed.

PRESSURE DROP: KIT, 2100358



2100358 HARDWARE KIT PARTS LIST

| Item # | Part # | Description | QTY |
|--------|---------|-------------------------|-----|
| 1 | 2103114 | VALVE | 1 |
| 2 | D10014 | FITTING, NIPPLE | 1 |
| 3 | 2320000 | GAGE, PRESSURE | 1 |
| 4 | D10009 | PLUG, 3/8 X 3/8 M | 1 |
| 5 | D10023 | FITTING | 1 |
| 6 | 2200090 | CLAMP, U | 2 |
| 7 | 2200089 | CLAMP, U | 2 |
| 8 | 2200012 | NUT, M8X1.25 | 6 |
| 9 | 2200044 | WASHER, M8, FLAT, STEEL | 8 |
| 10 | 2200030 | BOLT, M8 | 2 |
| 11 | 2540068 | CLAMP, VALVE | 1 |

| Item # | Part # | Description | QTY |
|--------|---------|-------------------------------|-----|
| 12 | 2203002 | NUT, M6, NYLOK | 1 |
| 13 | 2203401 | WASHER, M6 | 2 |
| 14 | 2200072 | HHCS, M6 | 1 |
| 15 | 2103113 | ASSY, SUB. TEE/BACKET | 1 |
| 16 | D10043 | FITTING, REDUCER, 3/8 1/4 NPT | 1 |
| 17 | 2530096 | PLUG, 1/4NPT M | 3 |
| 18 | 2520029 | SNAP RING | 3 |
| 19 | 2900003 | NOZZLE, #3, 1 FRONT, 6 REAR | 1 |
| 20 | 2900004 | NOZZLE, #3, 3 REAR | 1 |
| 21 | 2900005 | NOZZLE, #3, 1 FRONT, 3 REAR | 1 |