

SAFETY PRECAUTIONS

1. Make sure incoming pressure does not exceed the rated pressure.
2. Use proper eye protection when assembling and using the hose reel.
3. Assemble the hose reel on a clean workbench free of debris and moisture.
4. Use soap and water when checking for air leaks.
5. Keep children away from work area.

WARNING!

Exposure of skin directly to pressurized air or fluids could result in severe bodily injury!

Ref 300638 Rev. E
08 11

General Pump
1174 Northland Drive • Mendota Heights, MN 55120
Phone: 651.686.2199 • Fax: 800.535.1745
www.generalpump.com • email: sales@gpcompanies.com



- **DIRECT HAND-CRANK REWIND WITH LOCKING MECHANISM**
- **SOLID STEEL CONSTRUCTION**
- **DURABLE POWDERCOAT FINISH**
- **FULL FLOW SWIVEL BRASS JOINT**

HOSE REELS

FROM GENERAL PUMP

- **D30001** (AS SHOWN)
- **D30002** (AS SHOWN)
- **D30004** (W/PIGTAIL)
- **D30006** (W/PIGTAIL)
- **D30007** (W/PIGTAIL)
- **D30008** (W/PIGTAIL)

OPERATOR'S MANUAL

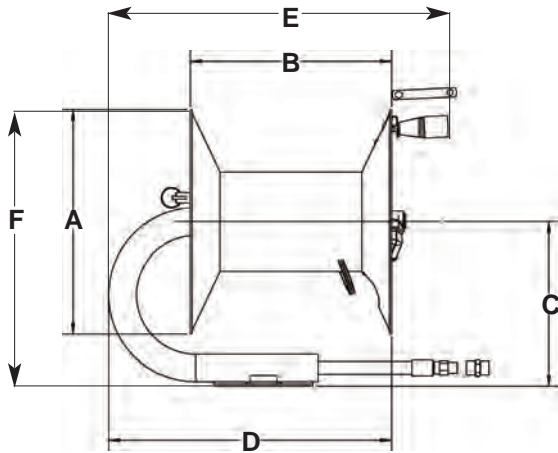
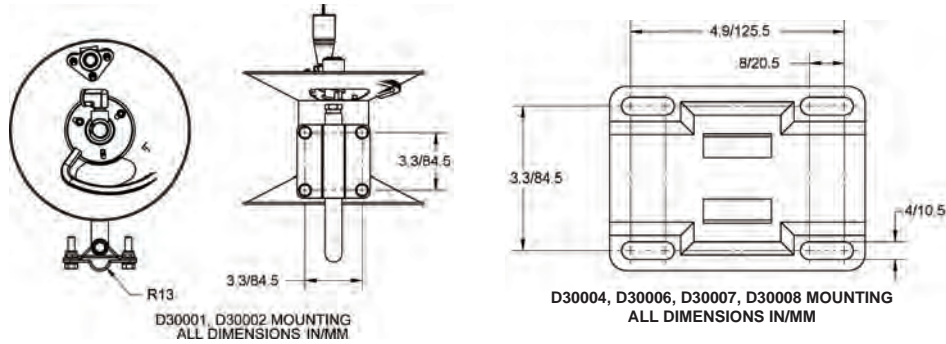


General Pump
is a member of
The Interpump Group



ASSEMBLY AND OPERATING INSTRUCTIONS

1. Connect the handle to the flange. Nuts go on handle side of flange.
2. Use (4) 3/8" or 10 mm bolts when securing the hose reel to ceiling or wall.
3. Use the provided nuts, bolts and mounting bracket when securing hose reel to a cart.
4. Use thread sealant (not provided) on inlet threads and on outlet hose (not provided).
5. The hose reel is ready for operation.

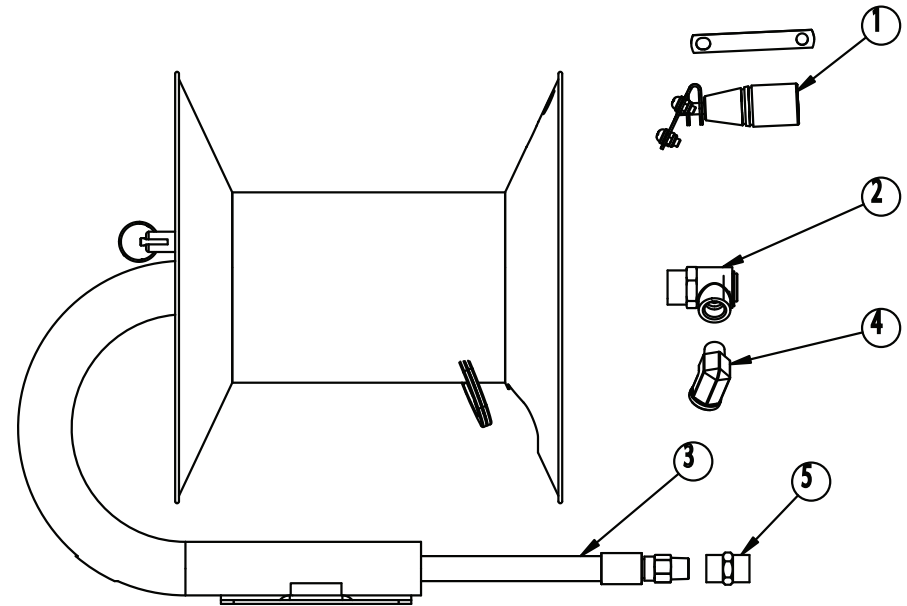


	Dimensions (in/mm)					
	A	B	C	D	E	F
D30001	10.5/267	7.7/195	7.6/192	11.0/281	14.4/365	12.8/326
D30002	10.5/267	12.0/308	7.6/192	15.2/386	18.5/471	12.8/326
D30004	13.4/340	9.8/250	9.7/249	10.8/274	18.0/458	16.5/419
D30006	13.4/340	12.2/310.6	9.8/248	16.2/410.6	19.4/493.5	16.5/418
D30007	16.6/422	9.8/250	11.5/291	14.5/367	13.2/335	19.8/502
D30008	13.4/340	14.8/375.6	9.9/251	18.6/472.1	21.9/555.7	16.6/421

SPECIFICATIONS

Model	3/8" Capacity	Pressure	Inlet	Outlet
D30001	50'	3500 PSI	3/8 NPT F	3/8 NPT F
D30002	100'			
D30004	150'		3/8 NPT M	
D30006	200'			
D30007	200'			
D30008	250'			

MAXIMUM TEMPERATURE RATING: 185°F



PARTS LIST

	Item				
	1	2	3	4	5
D30001	100055	100887	N/A	D10116	N/A
D30002		100053	D30003		D10116
D30004					
D30006					
D30007					
D30008		Repair kit for 100887 and 100053			