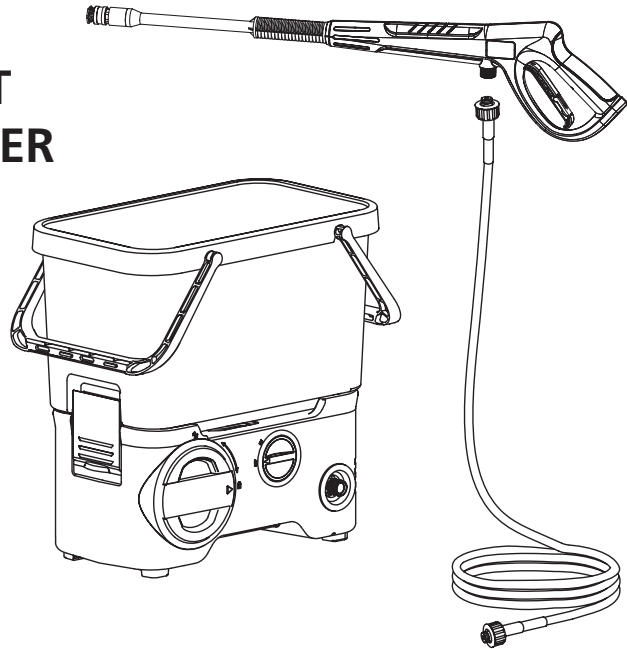


**OPERATOR'S MANUAL
40V CORDLESS BUCKET
HIGH PRESSURE WASHER**



Before operating this product, please read this manual thoroughly and retain it for future reference.

**SUMEC NORTH AMERICA
3939 Royal Drive NW
Unit #234
Kennesaw, GA30144**

**DO NOT RETURN PRODUCT TO PLACE OF PURCHASE.
IF YOU HAVE ANY QUESTIONS, CALL OUR TOLL FREE HOTLINE.**

(866)-902-9690

ForceToolsUSA.com

YARD FORCE

YF4050PB Operator's Manual

TABLE OF CONTENTS

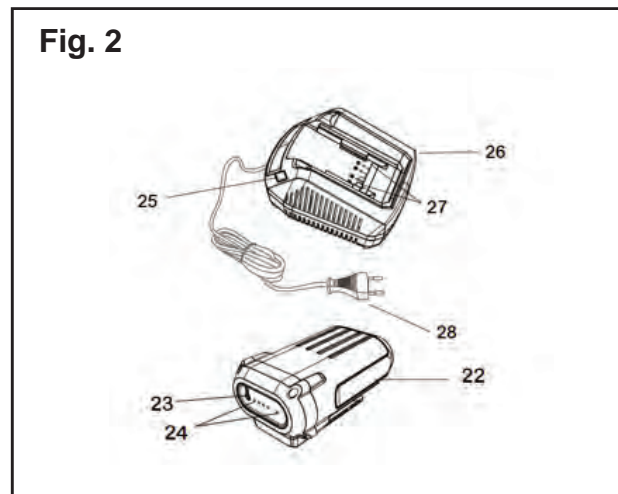
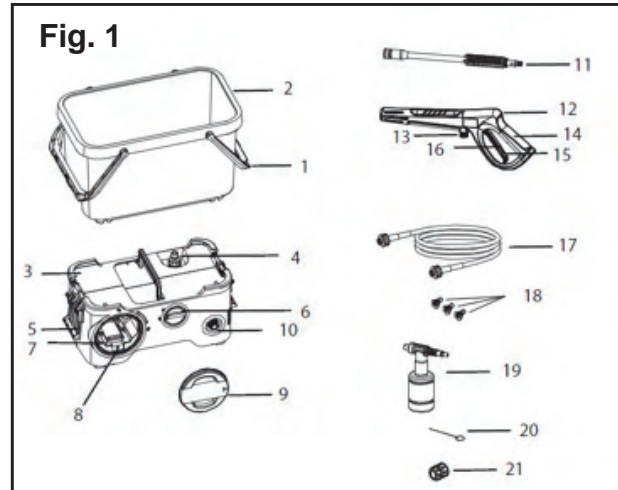
Description of Product Parts.....	02
Technical Specifications.....	04
Intended Use.....	04
Important Safety Instructions.....	05
Assembly.....	10
Operation.....	15
Storing and Maintenance.....	19
Troubleshooting.....	20
Warranty.....	24

DESCRIPTION OF PRODUCT PARTS

Parts list

As shown in Fig 1&2

1. Carrying handle
2. Water container
3. High pressure washer main body
4. Inlet adapter
5. Locking hook
6. ON/OFF switch
7. Battery pack compartment
8. Battery pack releasing button
9. Battery pack compartment cover
10. High pressure water outlet
11. Quick -connect wand
12. Spray gun
13. Spray gun water inlet
14. Gripping handle
15. Safety lock
16. Trigger switch
17. High pressure hose
18. Spray tips
19. Cleaning agent tank
20. Nozzle pin
21. Female coupling connector
22. Battery pack
23. Power indicator button
24. Power indicator
25. GREEN /RED LED
26. Charger
27. Electric contacts
28. Plug



Check the delivery parts As shown in Fig 3

Carefully remove the pressure washer and parts from its packaging. Identify all the parts packaged in the carton against the parts list. Please contact our customer service center (Monday-Friday 8:30AM-5:00PM ET) at (866) 902 9690 if anything is missing.

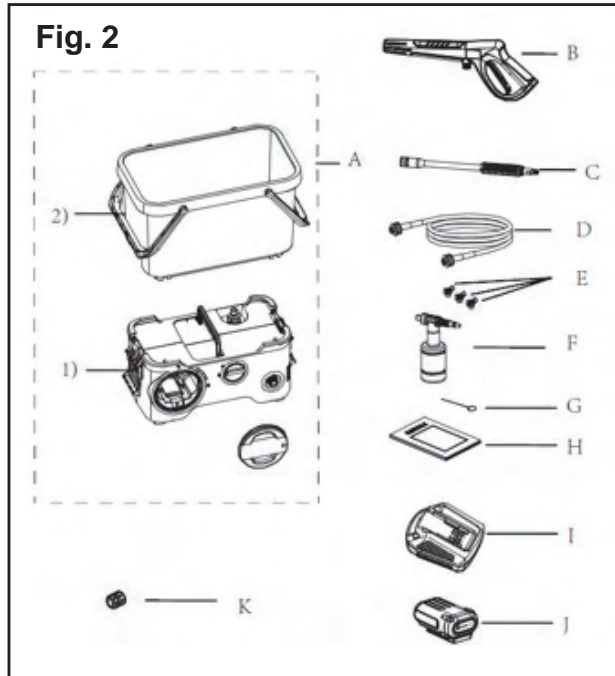
A. High-pressure washer include follow items :

- 1) High-pressure washer main body include battery pack compartment cover
- 2) water container include cap-shape filter

- B. Trigger handle 1pc
- C. Quick-Connect wand 1pc
- D. High-pressure hose 1pc
- E. Spray nozzles

Include follow items:

- 1) 0°Nozzle x1
- 2) 15°Nozzle x1
- 3) 40°Nozzle x1
- F. Detergent bottle 1pc
- G. Nozzle cleaning needle 1 pc
- H. Manual 1pc
- I. Battery pack 1pc
- J. Charger 1pc
- K. Female coupling connector 1pc
(Water backflow preventer was built-in)



⚠ WARNING: If any parts are damaged or missing, do not operate this tool until the missing parts are replaced. Failure to heed this warning could result in serious personal injury.

⚠ NOTE! Always recycle the packaging in accordance with local recycling schemes.

TECHNICAL SPECIFICATIONS

Model	YF4050PB
Nominal voltage with battery	40V, DC, 4Ah
Working pressure with container water	450psi
Working pressure with tap water	500psi
Max pressure	800psi
Flow rate with container water	0.85GPM
Flow rate with tape water	1.00GPM
Inlet pressure	44 psi
Supply water temperature (max.)	104°F
High-pressure Hose	19 ft.
Detergent injection rate	3%~12%
Battery Charger	
Input	100~120V, 50/60Hz
Output	DC40V, 2A
Charger time	approx.120 minutes for 4Ah battery pack
Charger time	approx.120 minutes for 4Ah battery pack

INTENDED USE

The pressure washer is intended for cleaning the walls of buildings, facades, terraces, footpaths, garden equipment, pressure washer, vehicles, tools, etc. with a pressure water nozzle. If required, you can also use the pressure washer with added household cleaning agents.

The pressure washer is to be used only for its prescribed purpose . any other use is Deemed to be a case of misuse. The user/operator and not the manufacturer will be liable for any damage or injuries of any kind caused as a result of this.

Please note that our equipment has not been designed for use in commercial, trade or industrial applications. Our warranty will be voided if the pressure washer is used in commercial, trade or industrial businesses or for equivalent purposes.

IMPORTANT SAFETY INSTRUCTIONS

Please read all of the safety precautions before operating this pressure washer every time.

Please pay particular attention to all sections with following symbols.

The following signal words and meanings are intended to explain the levels of risk associated with this product.

DANGER!

Indicate an imminently hazardous situation which, if not avoided, will result in death or serious injury.

WARNING!

Indicate a potentially hazardous situation which, if not avoided, could result in death or serious injury.

CAUTION!


Indicate a potentially hazardous situation which, if not avoided, may result in minor or moderate injury.

CAUTION!

(Without Safety Alert Symbol) Indicate a situation that may result in property damage.

 WARNING! - when using this product basic precautions should always be followed, including the following:

1. Read all the instructions before using the product.
2. To reduce the risk of injury, close supervision is necessary when a product is used near children.
3. Know how to stop the product and bleed pressures quickly. Be thoroughly familiar with the controls.
4. Stay alert-watch what you are doing.

5. Do not operate the product when fatigued or under the influence of alcohol or drugs.
6. Keep operating area clear of all persons.
7. Do not overreach or stand on unstable support .keep good footing and balance at all times.
8. Follow the maintenance instructions specified in the manual.
9. This product or its power cord contains lead, a chemical known to cause cancer, birth defects or other reproductive harm, wash hands after handling.
10.  **WARNING** -Risk of injection or injury – Do Not Direct Discharge Stream At persons.
11. Never operate the pressure washer without all components properly connected to the pressure washer (handle, gun/wand assembly, nozzle, etc.).
12. Never operate pressure washer with broken or missing parts. Check equipment regularly and repair or replace worn or damaged parts immediately.
13. Never put hand or fingers over the nozzle or spray tip while operating the unit.
14. Never spray flammable liquids or use pressure washer in areas containing combustible dust, liquids or vapors. An electric spark could cause an explosion.
15. Never leave the wand unattended while the pressure washer is running or switched on.
16. Never disconnect the High-pressure discharge hose from the pressure washer while the system is pressurized. To depressurize pressure washer, turn power and water supply off, then depress gun trigger 2-3 times.
17. Never cover the pressure washer during operation to allow free air cooling.
18. Always wear safety glasses or goggles when operating or performing maintenance.
19. Always move switch on unit to “OFF” position before pulling the battery pack out.
20. Always turn water supply “on” before turning pressure washer “on” unless draining for storage. Running pump dry causes serious damage.
21. Always hold gun and wand firmly when starting and operating the pressure washer.
22. Always follow detergent manufacturer’s label recommendations for proper use of detergents. Always protect eye, skin and respiratory system from detergent if used.
23. Always lock the trigger of spray gun in the safety position when not in use.
24. Do not use pressure that exceeds the operating pressure of any of the parts (hoses, fittings, etc.) in the pressurized system. Never use with any other manufacturer’s accessories or components.

25. Do not spray electrical apparatus and wiring or the pressure washer itself.
26. Do not operate the pressure washer with the inlet water filter removed .keep filter clear of debris and sediment.
27. Discharge residual pressure by depressing the trigger until no more water comes out of the nozzle.
28. Keep clear of nozzle .never direct High-pressure spray at any person, animal or self .
29. To minimize the amount of water getting into the pressure washer, the unit should be places as far as possible from the cleaning site during operation.

 **WARNING**
RISK OF INJURY
INJECTION HAZARD

1. Equipment can cause serious injury if the spray penetrates the skin. Do not point the gun at anyone or any part of the body. In case of penetration, seek medical aid immediately.
2. This system is capable of producing 870psi. To avoid rupture and injury, do not operate this pump with components rated less than 870psi working pressure (including but not limited to spray guns, hose, and hose connections).
3. Before servicing, cleaning, or removal of any part, switch off power and relieve pressure.

 **WARNING**
RISK OF INJURY
DO NOT DIRECT DISCHARGE STREAM AT SELF OR OTHER PERSONS.

1. High-Pressure jet can be dangerous if misused.
2. The jet must not be directed at persons, animals, electrical devices, or the unit itself.

 **WARNING**
RISK OF EXPLOSION-DO NOT SPRAY FLAMMABLE LIQUIDS

Do not use acids, alkaline, solvents or any flammable material in this product.

These products can cause physical injuries to the operator and irreversible damage to the pressure washer.



WARNING

RISK OF ELECTRIC SHOCK

1. Inspect cord before using –Do not use if cord is damaged.
2. Keep all connections dry and off the ground.
3. Do not touch plug with wet hands.



CAUTION

GUN KICK BACK

1. Hold with both hands.
2. The trigger gun safety lock prevents the trigger from being engaged accidentally.
3. The safety feature does not lock trigger in the ON position



CAUTION

This pressure washer has been designed for use with detergents that are specifically approved for pressure washer use. The use of other cleaning detergents may affect the operation of the pressure washer and void the warranty.

SAFETY WARNINGS FOR BATTERY PACK

1. Do not dismantle, open or shred cells or battery pack.
2. Do not short-circuit a battery pack. Do not store battery packs haphazardly in a box or drawer where they may short circuit each other or be short-circuited by conductive materials. When battery pack is not in use, keep it away from other metal objects, like paper clips, coins, keys, nails, screws or other small metal objects, that can make a connection from one terminal to another. Shorting the battery terminals together may cause burns or a fire.
3. Do not expose battery pack to heat or fire. Avoid storage in direct sunlight.
4. Do not subject battery pack to mechanical shock.
5. In the event of battery leaking, do not allow the liquid to come into contact with the skin or eyes. If contact has been made, wash the affected area with copious amounts of water and seek medical advice.

6. Seek medical advice immediately if a cell or battery pack has been swallowed.
7. Keep battery pack clean and dry.
8. Wipe the battery pack terminals with a clean dry cloth if they become dirty.
9. Battery pack needs to be charged before use. Always refer to this instruction and use the correct charging procedure.
10. Do not maintain battery pack on charge when not in use.
11. After extended periods of storage, it may be necessary to charge and discharge the battery pack several times to obtain maximum performance.
12. Battery pack gives its best performance when it is operated at normal room temperature (68 °F ± 9 °F).
13. When disposing of battery packs, keep battery packs of different electrochemical systems separate from each other.
14. Recharge only with the charger specified by manufacturer. Do not use any charger other than that specifically provided for use with the equipment. A charger that is suitable for one type of battery pack may create a risk of fire when used with another battery pack.
15. Do not use any battery pack which is not designed for use with the equipment.
16. Keep battery pack out of the reach of children.
17. Retain the original product literature for future reference.
18. Remove the battery from the equipment when not in use.
19. Dispose of properly.

GENERAL SAFETY WARNINGS FOR YOUR BATTERY CHARGER

WARNING Read all safety warnings and all instructions.

Failure to follow the warnings and instructions may result in electric shock, fire and/or serious injury.

Save all warnings and instructions for future reference.

- This appliance is not intended for use by persons (including children) with reduced physical, sensory or mental capabilities, or lack of experience and knowledge, unless they have been given supervision or instruction concerning use of the appliance by a person responsible for their safety.

- Children should be supervised to ensure that they do not play with the appliance.

Additional Safety Instructions For Your Battery Charger

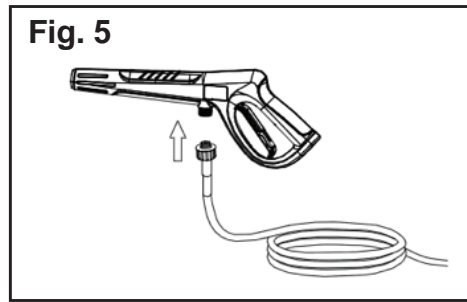
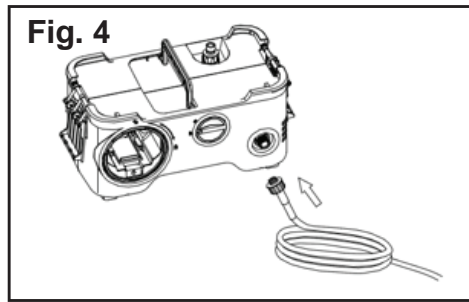
1. Before charging, read the instructions.
2. After charging, disconnect the battery charger from the supply mains. Then remove the chassis connection and then the battery connection.
3. Do not charge a leaking battery.
4. Do not use chargers for works other than those for which they are designed.
5. Before charging, ensure your charger is matching the local AC supply.
6. For indoor use, or do not expose to rain.
7. The charging device must be protected from moisture.
8. Do not use the charging device in the open.
9. Do not short out the contacts of battery or charger.
10. Respect the polarity “+/-“when charging.
11. Do not open the unit and keep out of the reach of children.
12. Do not charge the batteries of other manufactures or ill-suited models.
13. Ensure that the connection between the battery charger and battery is correctly positioned and is not obstructed by foreign bodies.
14. Keep battery charger’s slots are free of foreign objects and protect against dirt and humidity. Store in a dry and frost-free place.
15. When charging batteries, ensure that the battery charger is in a well-ventilated area and away from inflammable materials. Batteries can get hot during charging. Do not overcharge any batteries. Ensure that batteries and chargers are not left unsupervised during charging.
16. Do not recharge non-rechargeable batteries, as they can overheat and break.
17. Longer life and better performance can be obtained if the battery pack is charged when the air temperature is between 64°F and 75°F. Do not charge the battery pack in air temperatures below 32°F, or above 113°F. This is important as it can prevent serious damage to the battery pack.
18. Charge only battery pack of the same model provided by manufacturer and of models recommended by manufacturer.

ASSEMBLY

⚠ WARNING!

Remove the battery pack before carrying out any work on the equipment, and use only original parts.

Before starting any cleaning task, it is important to inspect the area for objects that could create a hazard. Remove any objects from the work area that could be tripped over, such as toys or outdoor furniture. Ensure that all doors and windows are closed tightly.



Connect the hose to the pressure washer As shown in Fig. 4

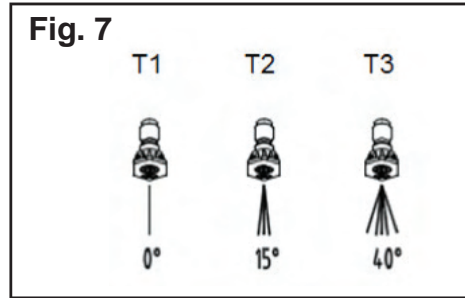
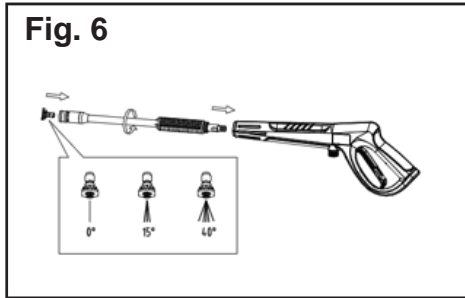
Attach High-pressure hose to the pressure washer's water outlet (hand tighten only).

Connect the hose to spray gun As shown in Fig. 5

Screw the High-pressure hose firmly onto the trigger handle.

Fit the spray tip to spray gun As shown in Fig.6

Attach desired color coded spray tip to quick - connect wand by pushing to ensure it is clicked in securely. Insert quick - connect wand into the spray gun and twist it, hand tighten until two parts are locked.



**Function of each spray nozzles
As shown in Fig.7**

The spray tips are for purposes as below:

T1: Red -0°: Concentrate water flow on work Area, quite useful for cleaning Stubborn dirt.

T2: Yellow-15°: Delivers balanced pressure and flow for general cleaning

T3: White-40°: For delicate cleaning.

Connect to water supply

Two types of water resource are available for this product. Based on your actual demand to select one of them.

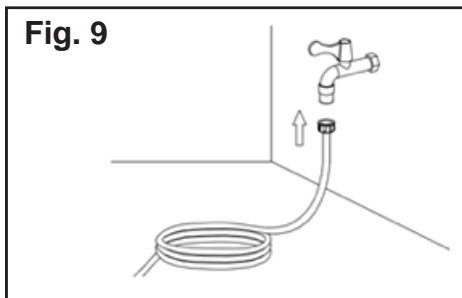
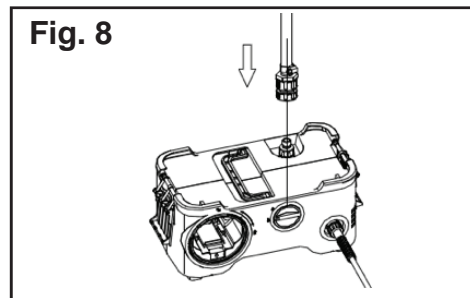
Option 1: By using female coupling connector with back-flow preventer function (supplied), connect to potable water supply. Or using other back-flow prevention device which conforming to the requirements of the American society of sanitary engineers.

Option 2: Using the water container.

Using potable water supply as

water resource

As shown in Fig.8-9



⚠ WARNING! Before following action, Make sure the ON/OFF switch is on the OFF position.

The following accessory is required for connecting to the pressure washer (not supplied):

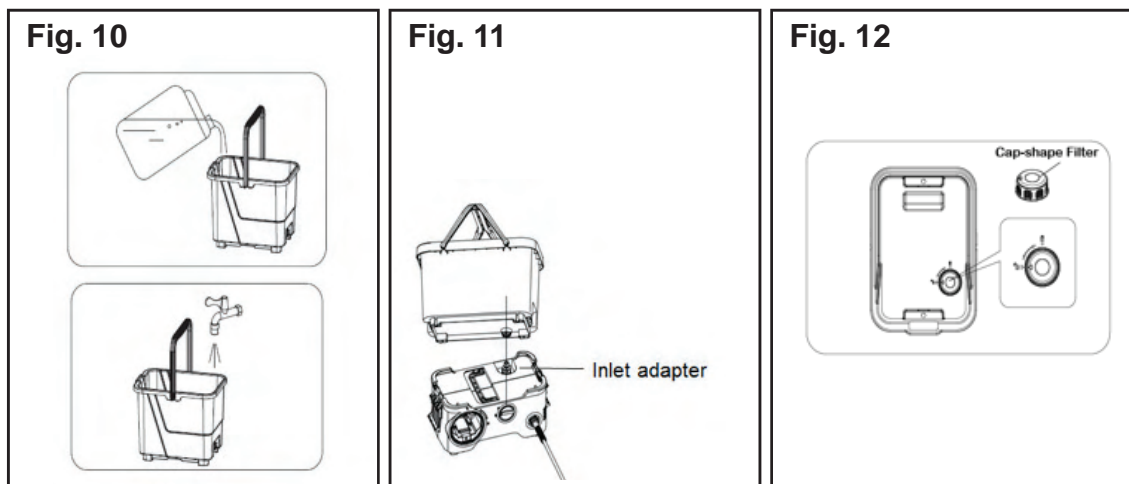
- a water supply hose – it is a fabric-reinforced hose with a minimum diameter of ½ in. ;

- 1.Screw the inlet adapter onto the pressure washer.
- 2.Attach a water supply hose with coupling connector(supplied) to the inlet adapter.
- 3.Connect the other end of water supply hose to the potable water tap

Using the water container as water resource As shown in Fig.10-13

This High-pressure washer is equipped with water container that is convenient to use in case of no sustainable water supply or far away from the water source .

1. Fill the container with clean water either by using other water carriers or sustainable water supply.



! NOTE ! Make sure the inlet adapter stays on the inlet of the pressure washer.

2. Carefully place the container onto the pressure washer
3. Align arrow on the cap-shape filter with the unlock position on the container. then turn the cap-shape filter to lock position.

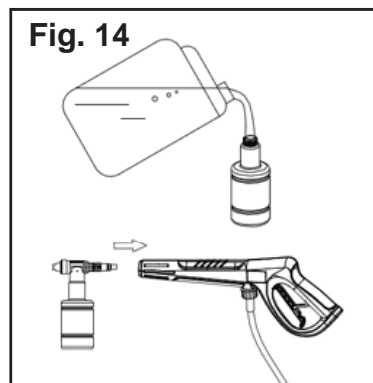
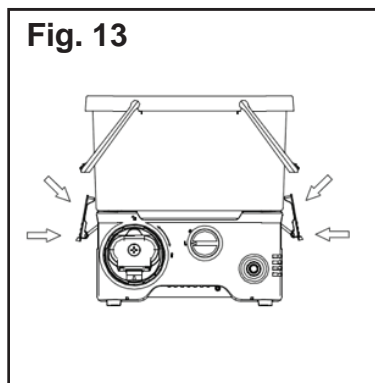
To fix the cap-shape filter in place.

4. Fasten the container to the High Pressure washer by using the locking hook, Make sure that the locking hook locks into Place correctly.

Use the detergent bottle.

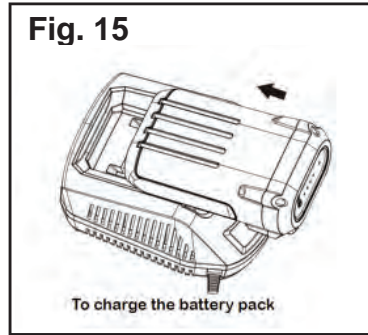
As shown in Fig.14

1. Stop the pressure washer.
2. Add detergent to the bottle.
3. Attach the detergent wand onto the spray gun.



OPERATION

Charging the battery pack As shown in Fig.15



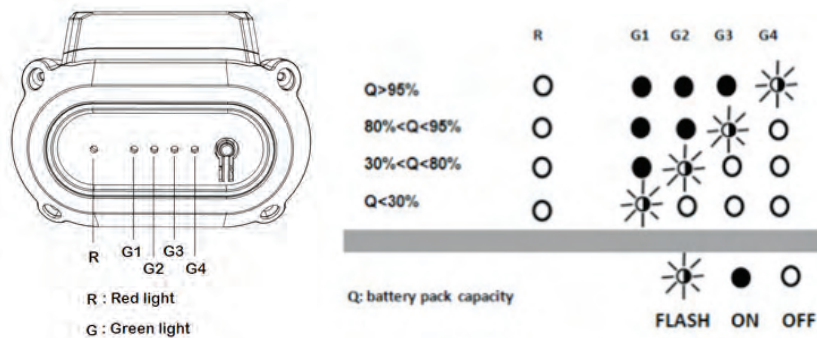
NOTE: Remove the battery pack from the charger after it has been fully charged .

NOTE: This battery pack has been shipped in a low charge condition . It should be fully charged before first use.

WARNING: Make sure the main voltage is the same as rating label which located on the charger.

1. Connect the charger to a power supply.
You will hear a beep sound .and the green LED light will be on.
2. To insert the battery pack into the charger, align the raised ribs of the battery pack with the grooves of the charger . Then push it in. ensure the battery pack is in its place.
3. The charger will communicate with the battery pack's circuitry to evaluate the capacity of the battery pack.

Charging status as following chart:



4. The green LED light of the charger will flash continuously during normal charging.
5. After charging is complete, You will hear a beep Sound again .the green LED on the charger will be on and the four green lights of the battery pack will be on for 3-5 seconds then turn off.

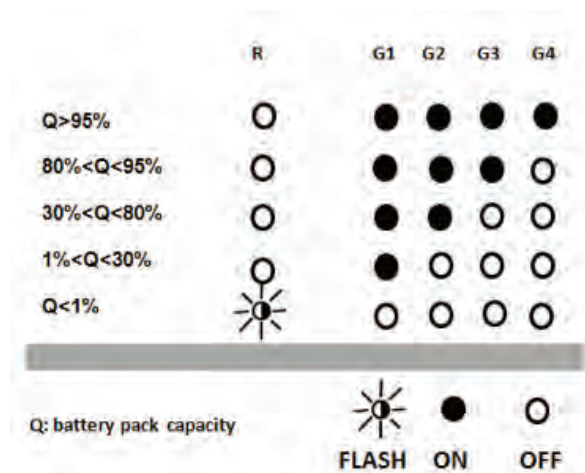
If encounter one of following kind of situation, the light of Charger will turn red, and flash, you will hear beep sound Per second until the problem has been corrected.

- Wrong communication. It refers to poor connection between charger and battery pack .
- Internal temperature of the battery pack is out of range from 32°F to 122°F.
- Full voltage of the battery pack less than 32V
- short circuit of the output , or overload

The power indicator LED lights

This Li-Ion battery pack is equipped with a power indicator which is used to give an indication of the battery pack’s remaining charge. Press the Power indicator button to check battery charge as below. The LEDs will stay lit for approximately 4 seconds.

Meaning of power indicator:



Low capacity warning

Unlike other battery pack types, Lithium-Ion battery packs deliver fade-free power for their entire run time. The tool will not experience a slow, gradual loss of power as you work. If RED LED on the battery pack begins to flash, the battery pack’s

charge is under 1% capacity and should be recharged.

To obtain the best life from the battery

Never allow the battery to completely discharge before recharging. The battery pack should be placed on the charger whenever the battery pack is noticeably running down or the tool no longer performs a task it previously performed.

Avoid conducting short charges. Make sure that the battery is fully charged every time by allowing the charger to complete its full charging cycle.

Avoid allowing loose items like screws or nails etc. to be stored with battery packs as these or similar items can short battery packs and cause a fire or explosion

Always unplug the charger when not in use and store in a dry secure place.

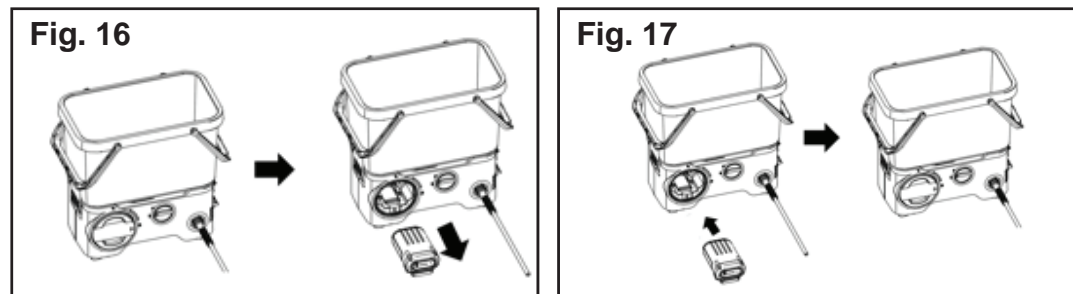
Avoid charging or storing your battery in temperatures below 32°F and above 113°F.

Cool down hot battery pack from a just-operated tool for approximately 30 minutes before attempting to recharge.

Removing and inserting the battery pack To remove the battery pack from the tool As shown in Fig.16

⚠️ WARNING: Make sure the ON/OFF switch is set in the OFF position. Before installing or removing the battery pack.

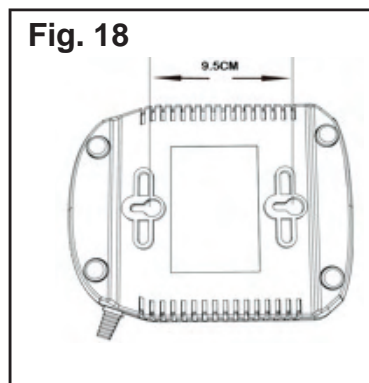
Firstly turn the battery pack compartment cover to unlock position and remove it. Then press the battery pack release button down, the battery pack will come out automatically and remove it .



To insert the battery pack As shown in Fig.17

Align the battery pack with its compartment of the tool.
Push the battery pack into the hole until hear click sound.
It means the battery pack has been locked in position.
Turn the battery pack compartment cover to lock position.

Wall-mount holes As shown in Fig.18



The charger has hanging holes for convenient storage. Install screws in the wall 3.74 in. apart. Use screws sufficiently strong to hold the combined weight of the charger and battery pack.

Before switching on and off

WARNING!

- 1) Wear suitable clothing, ears and eyes protecting when working with the equipment.
- 2) Ensure that the equipment is functional before each use.
- 3) Never use the equipment in potentially explosive areas under any circumstances.
- 4) The operating temperature must be between 41°F and 104°F.
- 5) Check the safe condition of the pressure washer:
 - Check it for visual defects.
 - Check that all parts of the pressure washer have been securely fitted.
 - Check if the water connector and the high-pressure pipes are tight.

Switching on and off As shown in Fig.19-20

NOTE! Put the High-pressure washer on a smooth ground. Stand in a secure and stable position.

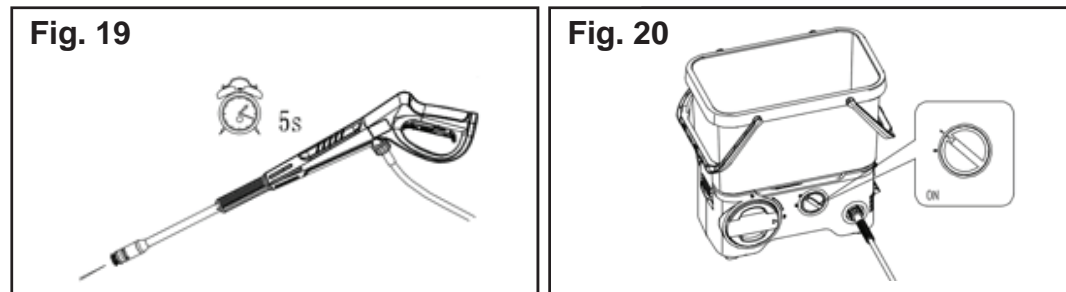
⚠ WARNING! Before switching on, ensure you have completely assembled the high-pressure washer and connected all connections.

To switch on

You should maintain the correct operating position every time, use the equipment by placing one hand on the spray gun handle and the other on the lance.

1. Open the water inlet valve. (if using the potable water supply as resource) If using the water container as resource, get started From step 2 directly.

NOTE! Before switching on, firstly purge pump around 5s by squeezing trigger gun .



2. To switch the pressure washer on, set the On/Off switch to ON.
3. Unlock the safety trigger lever on the spray gun, and press the trigger lever until there is a steady stream of water.

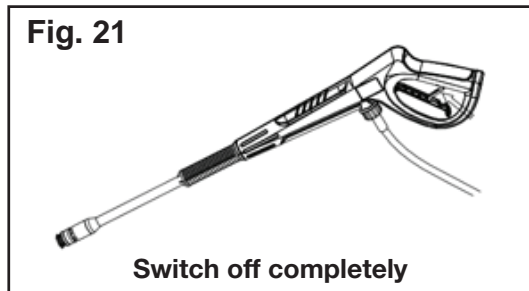
To temporarily switch off

Release the trigger lever, at this point the equipment goes to standby. As soon as you press the trigger lever again , the equipment restarts.

To completely switch off As shown in Fig. 21

1. Release the trigger lever, and replace the safety lock.
2. To switch the pressure washer off, set the On/Off switch to OFF.
3. Close the water inlet valve.

Fig. 21



⚠ CAUTION! Risk of pressure washer damage!

Never operate the pressure washer without water inlet as dry running may damage the pump. Use a water filter if the inlet water is contaminated.

Working with the Electric High-pressure washer Risk of fatal injury!

Use special care when cleaning tires. Vehicle tires/ tire valves may become damaged or burst when handled improperly. First signs of damage included discolorations on the tire. damaged vehicle tires/tire valves pose a life-threatening risk. Keep the jet at a distance of at least 12 in. !

Risk of fatal injury!

The high-pressure jet may be dangerous when handled improperly. The jet may not be directed towards living beings (persons, animals), live-equipment or the pressure washer itself.

High-pressure working.

Hold the hand-held spray gun and the lance firmly with both hands. Be aware of the recoil when switching on the high-pressure jet.

Unlock the safety button and press the trigger on the handheld spray gun.

The high-pressure pump starts running as soon as you operate the hand-held spray gun.

The high-pressure pump stops running as soon as you release the trigger on the hand-held spray gun.

STORING AND MAINTENANCE

⚠ WARNING!

Before performing any repair work, always switch off the unit and remove the battery pack.

1. Do not spray the unit with water. Ingress of water may destroy the battery pack and the electric motor.
2. Clean the unit with a cloth, hand brush, etc.

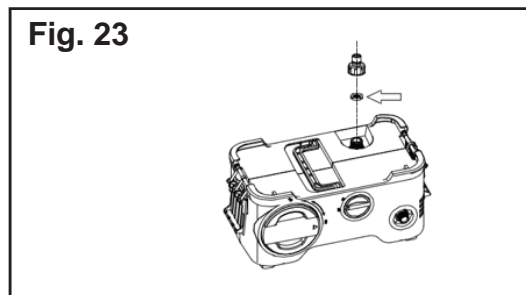
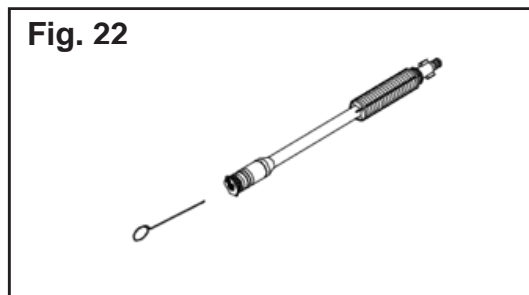
⚠ CAUTION! Do not clean the pressure washer using a high-pressure water jet.

3. Keep all nuts, bolts and screws tight to be sure the equipment is in safe working condition.
4. Replace worn or damaged parts for safety.

Clean the nozzle

As shown in Fig.22

Clean the high-pressure jet nozzle by using nozzle pin



Clean the water filter

As shown in Fig.23

The pressure washer is equipped with a water filter to protect the pump. If the filter is not kept clean, the water flow to the pressure washer will be restricted and the pump may be damaged.

1. To clean water filter, remove inlet adapter and get the filter out.
2. Rinse filter until it is free of debris and blockage.
3. Replace the filter and inlet adapter.

Battery Maintenance

Use the following procedures to enable optimum usage of the battery:

1. Protect the battery against moisture and water.
2. Store the battery only within a temperature range from 32°F to 113°F. As an example, do not leave the battery in a vehicle or in the trimmer in direct sunlight.
3. Clean the ventilation slots of the battery occasionally with a soft, clean and dry brush.
4. A considerably shortened operating time after charging is an indication that the battery is exhausted and must be replaced.
5. If you do not use the product for a long time, please charge and discharge the battery pack once every 6 months.

Storage

Store the pressure washer where it is dry and well ventilated.

When placing the pressure washer out of service for an extended period of time, remove the cleaning agent and drain all the water left in the hoses.

Transport

Use the original packaging to ship whenever possible.

TROUBLESHOOTING

CAUTION!

Before servicing, cleaning, or removal of any part, shut off power and relieve pressure.

CAUTION!

Improper repairs can result in the product functioning unsafely. This endangers yourself and your environment.

Faults which cannot be rectified with the aid of following table may be rectified by a specialist company only (customer service center).

Please be aware that any improper repairs will also invalidate the warranty and additional costs may be incurred.

Use only genuine spare parts. Only these spare parts are designed and suitable for the product. The use of other spare parts not only voids the warranty, you can also endanger yourself and your environment.

Fault/malfunction	Cause	Remedy
Pressure washer does not work	Battery discharged?	Charge rechargeable battery
	Battery pack does not sit its place correctly	Install the battery pack once again
	On/off switch set to "0"	On/off switch set to "I"
	Motor protector has activated	Allow to cool for 15 minutes
	The pump is frozen	Check and thaw if necessary
Pressure too low, but steady	High-pressure hose are damaged or leaks in the connection	Change the High-pressure hose or Hand-tighten the screw connection

Leaks in the pressure washer	Leaks from the pump or internal connections	Consult customer service
	Hose connections loose	Hand-tighten the water intake adapter and the high-pressure hose screw connection
Irregular operating pressure	Air intake in the water inlet	Check the supply hose and hose connection and replace if necessary
	The water filter is clogged	Clean the water filter
	Water supply hoses squeezed	Straighten out kinked water supply hoses
	Inadequate water supply	Check the water supply
The High-pressure washer operates intermittently	Internal loose electrical connection	Consult customer service
	On/Off switch defective	Consult customer service
	The water filter is clogged	Clean the water filter
	Air intake in the water inlet	Check the supply hose and hose connection and replace if necessary
	Air in the system	Ventilate the pressure washer! Run the pressure washer without the high-pressure hose connected until water starts leaking without bubbles. Re-attach the high-pressure hose
	Nozzle partly blocked	Clean nozzle
	Discharge nozzle is too large	Check and replace if necessary
No detergent taken in	Detergent too dense	Dilute with water
	Deposits or restriction in detergent circuit	Flush with clean water an eliminate any restrictions

WARRANTY

Product Warranty

Please keep your original purchase receipt in a safe place as proof of purchase. Warranty coverage for this product must be verified by the original purchase receipt. The warranty period begins on the day that the product was purchased from an authorized retailer of Yard Force products. Warranty coverage only applies to the original purchaser and is not transferrable. Warranty coverage is only provided on products purchased from authorized Yard Force retailers.

(2) Two-Year Warranty – Pump and Motor

The YF4050PB has a 2-Year Limited Warranty from the date of purchase against manufacturer defects for residential use only. Commercial use voids the warranty. This warranty does not cover accidental damage, unreasonable use, normal wear and tear, neglect or non-compliance with the Operating, Safety and Maintenance Instructions. All service, outside of normal maintenance as described in this manual, must be done by an authorized service technician. Any unauthorized service or changes to the original configuration of this product will void the warranty. All parts and accessories used on and with this product must be manufacturer/or and authorized by SUMEC North America.

(90) Ninety-Day Warranty – Accessories

The accessories included with the YF4050PB; including hose, trigger handle and wand, and other similar parts are warranted against manufacturer defects for residential use only for a period of 90 days from date of purchase.

Warranty does not cover loss of use or other consequential damages arising from any of the above, nor does it cover repairs made or attempted by unauthorized persons. This warranty is void if the product is used for commercial, rental or industrial purposes. Certain parts, attachments and accessories are subject to normal wear and tear and are excluded from the warranty.

Service and Warranty Claims Process

Contact the Yard Force Support Center toll-free at (866)-902-9690 Monday-Friday between 8:30 AM and 5:00 PM Eastern Time for service and warranty support.

Yard Force USA Service Support agents can help you troubleshoot problems over the phone to get you back up and running as quickly as possible. In the situation where service or warranty inspection is needed, please follow these steps:

1. Contact Yard Force USA at (866)-902-9690 Monday-Friday between 8:30 AM and 5:00 PM Eastern Time.
2. Send in proof-of-purchase and serial number (if applicable) to confirm warranty coverage.
3. If service or a warranty evaluation is requested, Yard Force USA will provide an RGA number that should be used in all communications with Yard Force USA and is required to be indicated on the product itself and on the outside of the box.
4. All shipments to Yard Force USA must have an RGA number. Any shipment received that does not have an RGA number clearly marked on the outside of the box will be refused.
5. All shipments must be sent pre-paid, Yard Force USA does not pay for any shipping costs for service or warranty evaluation. Yard Force USA is not responsible for any packages that are lost by carrier. We recommend that shipments are made by a carrier that provides tracking and delivery confirmation.

For more information or to ask questions, please call toll-free (866)-902-9690 Monday-Friday between 8:30 AM and 5:00 PM Eastern Time.

SAVE THESE INSTRUCTIONS