



RRV-F24

HOLLOW SHAFT PUMP



Commercial

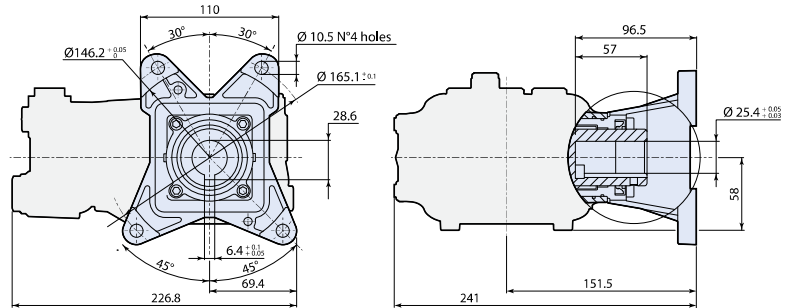
140° F - Max Water Temp
 1/2" F - Inlet Thread
 3/8" F - Discharge Thread
 13.35 oz - Oil Capacity



● brass head



○ aluminum connecting rods



D version + F24

MOD	MAX	MAX	MAX		NET	BORE DIA	STROKE	CRANKSHAFT ID STAMP	LIST PRICE			
	l/min	gpm	bar	psi	ebhp	rpm	lbs	mm	mm	\$		
RRV 3400rpm D version 1" with Gas Flange												
RRV3G36D-F24	● ○	11.4	3	248	3600	7.4	3400	18	15	7.4	7	\$667.10
RRV35G36D-F24	● ○	13.2	3.5	248	3600	8.6	3400	18	15	8.2	6	\$667.10
RRV4G40HD-F24	● ○	15.1	4	275	4000	11.0	3400	18	15	9.2	5	\$727.11
RRV35G40HD-F24	● ○	13.2	3.5	275	4000	9.6	3400	18	15	8.2	6	\$727.11

All pumps available in pre-plumbed packages

SPECIAL PARTS / KITS

MOD	DESCRIPTION	LIST PRICE
AR64516	Oil (16 oz)	\$15.80

REPAIR KITS

MOD	DESCRIPTION	QTY	LIST PRICE
AR1828	Valves	6	\$69.79
AR2544	Pistons	3	\$179.97
AR42556	Water Seals	3	\$84.92
AR42555	Oil Seals	4	\$27.38
AR42550	O-Rings	17	\$16.42
AR2191	Support Rings	3	\$7.21