



PARTS LIST FOR
CD-1002-3MUH
CD-1502-3MUH

MOTOR HORSEPOWER:

CD-1002-3MUH: 1.5 HP

CD-1502-3MUH: 2.0 HP

PUMP OIL GRADE:

Mi-T-M PUMP OIL #AW-4085-0016

PUMP OIL CAPACITY:

9.81 oz.

NOZZLE SIZE:

CD-1002-3MUH: 1.40 mm

CD-1502-3MUH: 1.25 mm

This Parts Listing has been compiled for your benefit. You can be assured your Mi-T-M Cold Water Pressure Washer was constructed and designed with quality and performance in mind using over 25 years experience in the pressure washer business. Each component has been rigorously tested to insure the highest level of acceptance.

The contents of this Parts Listing are based on the latest product information available at the time of publication. Mi-T-M reserves the right to make changes in price, color, materials, equipment, specifications or models at any time without notice.

WARNING

THIS IS A PROFESSIONAL HIGH PRESSURE, COLD WATER PRESSURE WASHER. CAUTION SHOULD BE OBSERVED WHEN USING OR REPAIRING THIS UNIT! READ AND FOLLOW THE SAFETY WARNINGS LISTED BELOW BEFORE ATTEMPTING ANY REPAIRS ON THIS PRESSURE WASHER!

SAFETY WARNINGS

1. NEVER alter or modify the equipment. Be sure any accessory items and system components being used will withstand the pressure developed. Use only genuine Mi-T-M parts for repair of your pressure washer. Failure to do so can cause hazardous operating conditions and will VOID warranty.
2. NEVER make adjustments on machinery while the unit is connected to the power source. Turning over the machinery by hand during adjustment or cleaning might start the machinery, causing serious injury to the operator.
3. Know how to stop and bleed pressures quickly. Be thoroughly familiar with controls.
4. Before servicing the unit, turn unit off, relieve the water pressure and allow the unit to cool down. Do not make repairs while the unit is running. Service in a clean, dry, flat area.
5. After testing the machine, DO NOT leave the pressurized unit unattended. Shut off the unit and release trapped pressure before leaving.

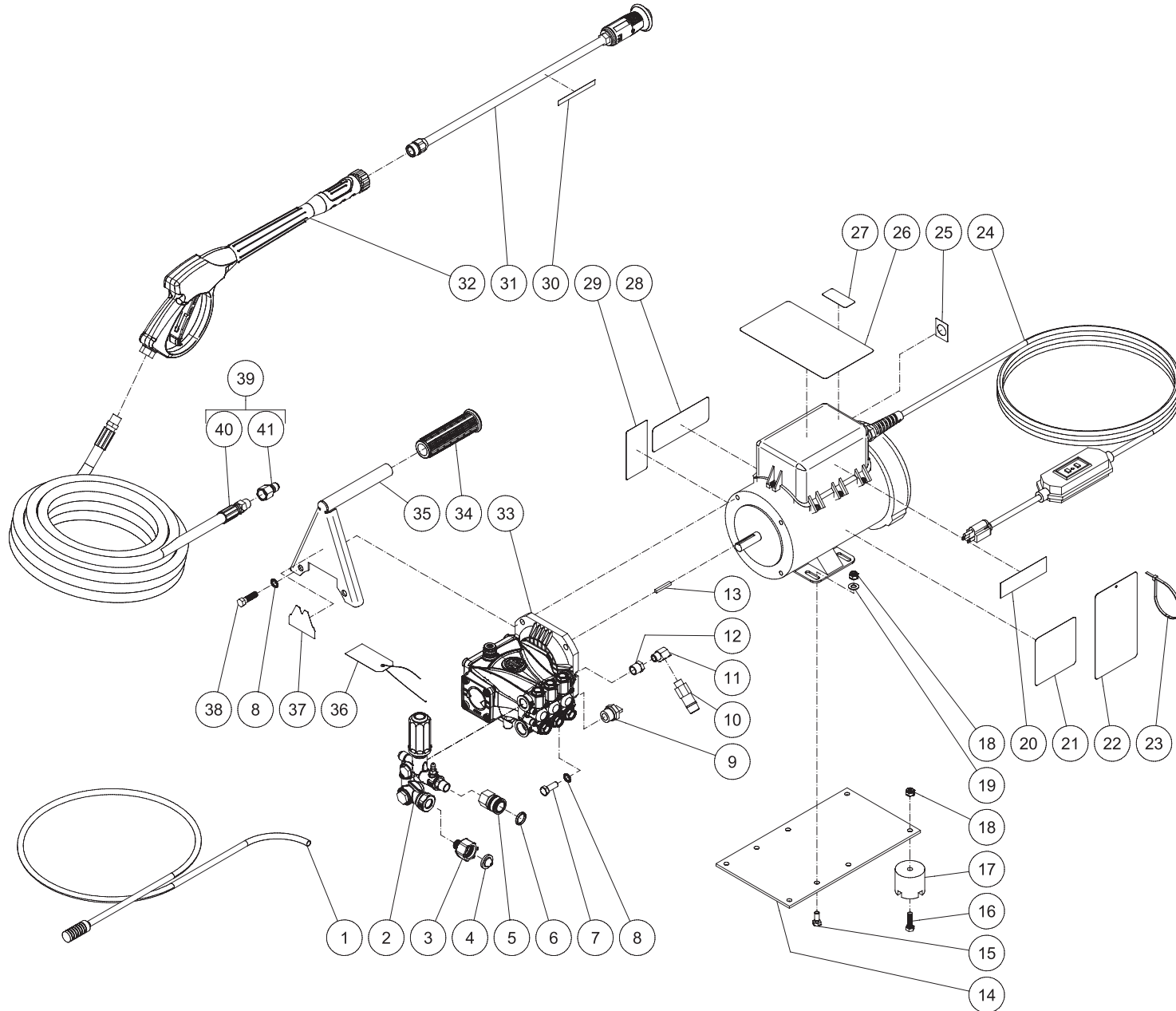
TABLE OF CONTENTS

SPECIFICATIONS	3
FRAME ASSEMBLY FOR CD-1002-3MUH AND CD-1502-3MUH	4
PUMP ASSEMBLY (3-0362)	6
UNLOADER ASSEMBLY (8-0625)	8
MOTOR ASSEMBLY (851-0247 & 851-0248)	10
LANCE ASSEMBLY (16-0412 AND 16-0413)	12
WIRING SCHEMATIC	14
WIRING DIAGRAM	15

SPECIFICATIONS

MODEL NUMBER	CD-1002-3MUH	CD-1502-3MUH
Operating Pressure (PSI/Bar):	1000/69	1500/103
High Pressure Nozzle:	1.40 mm	1.25 mm
Water Volume (GPM/lpm):	2.0/7.6	
Motor:	Totally enclosed fan cooled, circuit breaker thermal overload protection, 35ft. power supply cord with Ground Fault Circuit Interrupter (GFCI)	
Horsepower	1.5	2.0
Voltage	120	
Phase	Single	
Amps	12.5	17.0
Pump:	Direct Driven, Oil Bath, Triplex Piston	
Oil Type	Mi-T-M Pump Oil #AW-4085-0016	
Oil Capacity (oz./liters)	9.81/0.29	
Plungers	Ceramic	
Manifold	Forged Brass	
Valves	Stainless Steel	
Unloader	Preset	
Pop-Off Valve	Relieves excess pressure	
Heat Dump Valve	Relieves heated water during unloader bypass stage	
Detergent Injector:	Adjustable low pressure down stream from pump	
Unit Net Weight (lbs/Kg)	53/24	
Unit Shipping Weight (lbs/Kg)	65/29.5	
Unit Net Dimension (in)	22Lx11Wx14.5H	
Unit Net Dimension (cm)	56Lx28Wx37H	
Unit Shipping Dimension (in)	24.5Lx13Wx16H	
Unit Shipping Dimension (cm)	62Lx33Wx40.5H	

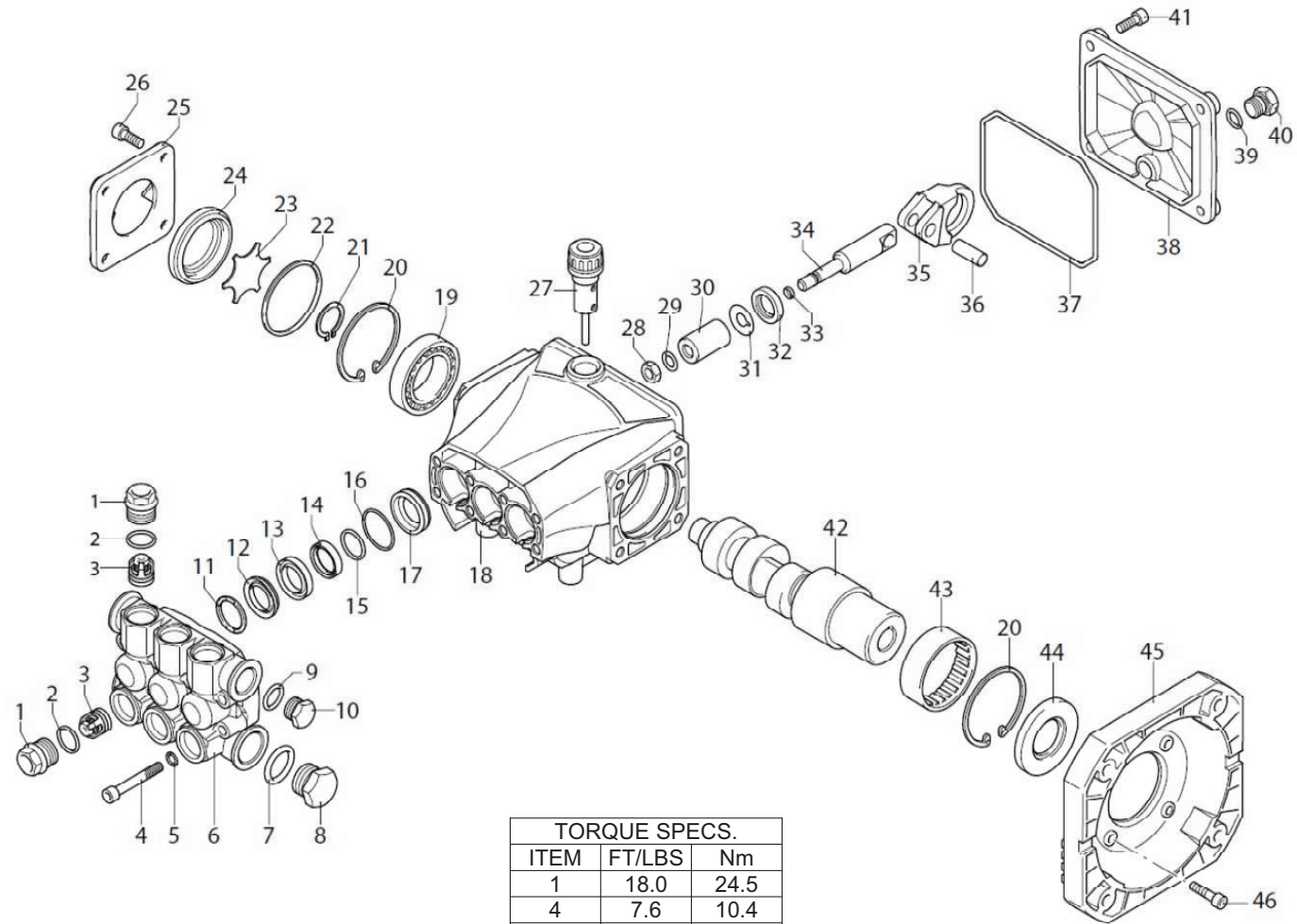
FRAME ASSEMBLY FOR CD-1002-3MUH AND CD-1502-3MUH



CD-1002_1502-3MUH 092313 JPS

FRAME ASSEMBLY			
ITEM	DESCRIPTION	Mi-T-M #	QTY
1	DETERGENT HOSE	19-0233	1
2	UNLOADER	8-0625	1
3	SWIVEL GARDEN HOSE	23-0096	1
4	FILTER	19-0001	1
5	QC SOCKET	17-0004	1
6	O-RING	25-0123	1
7	BOLT	27-0117	2
8	LOCKWASHER	29-0155	4
9	RELIEF VALVE	22-0005	1
10	POP-OFF VALVE	22-0046	1
11	ELBOW	23-0014	1
12	REDUCER	23-0017	1
13	KEY	43-0072	1
14	BASEPLATE	5-0110A01	1
15	BOLT	27-0066	4
16	BOLT	27-0068	4
17	ISOLATOR	14-0008	4
18	LOCKNUT	30-0157	8
19	WASHER	28-0003	4
20	DECAL (SEE 71-1012)	N/A	1
-	DECAL-1500 PSI (SEE 71-1012)	N/A	1
21	DECAL - CAUTION/IMPORTANT (SEE 71-1012)	34-1015	1
22	TAG - WARNING RISK OF ELECTROCUTION	34-1035	1
23	CABLE TIE	33-0022	1
24	MOTOR ASSEMBLY (1002)	851-0247	1
-	MOTOR ASSEMBLY (1502)	851-0248	1
25	DECAL-ON/OFF (SEE 71-1012)	N/A	1
26	DECAL - WARNING RISK OF ELECTROCUTION (SEE 71-1012)	N/A	1
27	DECAL - PUMP INSTRUCTIONS (SEE 71-1012)	N/A	1
28	DECAL - WARNING RISK OF INJECTION/EXPLOSION (SEE 71-1012)	N/A	1
29	DECAL- SILVER STICKER	N/A	1
30	DECAL - ADJ. NOZZLE (SEE 71-1012)	N/A	1
31	LANCE (1002)	16-0413	1
-	LANCE W/VARIABLE (1502)	16-0412	1
32	GUN & WAND - 4000 PSI	16-0441	1
33	PUMP	3-0362	1
34	HANDLE GRIP	7-0059	1
35	HANDLE	7-0078A01	1
36	TAG - IMPORTANT OIL PLUG	34-1067	1
37	DECAL - Mi-T-M (SEE 71-1012)	N/A	1
38	BOLT	27-0118	2
39	HOSE ASS'Y	851-0359	1
40	HOSE	15-0138	1
41	QUICK CONNECT	17-0006	1
-	DECAL SET	71-1012	1

PUMP ASSEMBLY (3-0362)



TORQUE SPECS.		
ITEM	FT/LBS	Nm
1	18.0	24.5
4	7.6	10.4
8	29.5	40.0
10	18.4	25.0
26	7.6	10.4
28	8.9	12.0
41	5.9	8.0

3-0362-121713 JDK

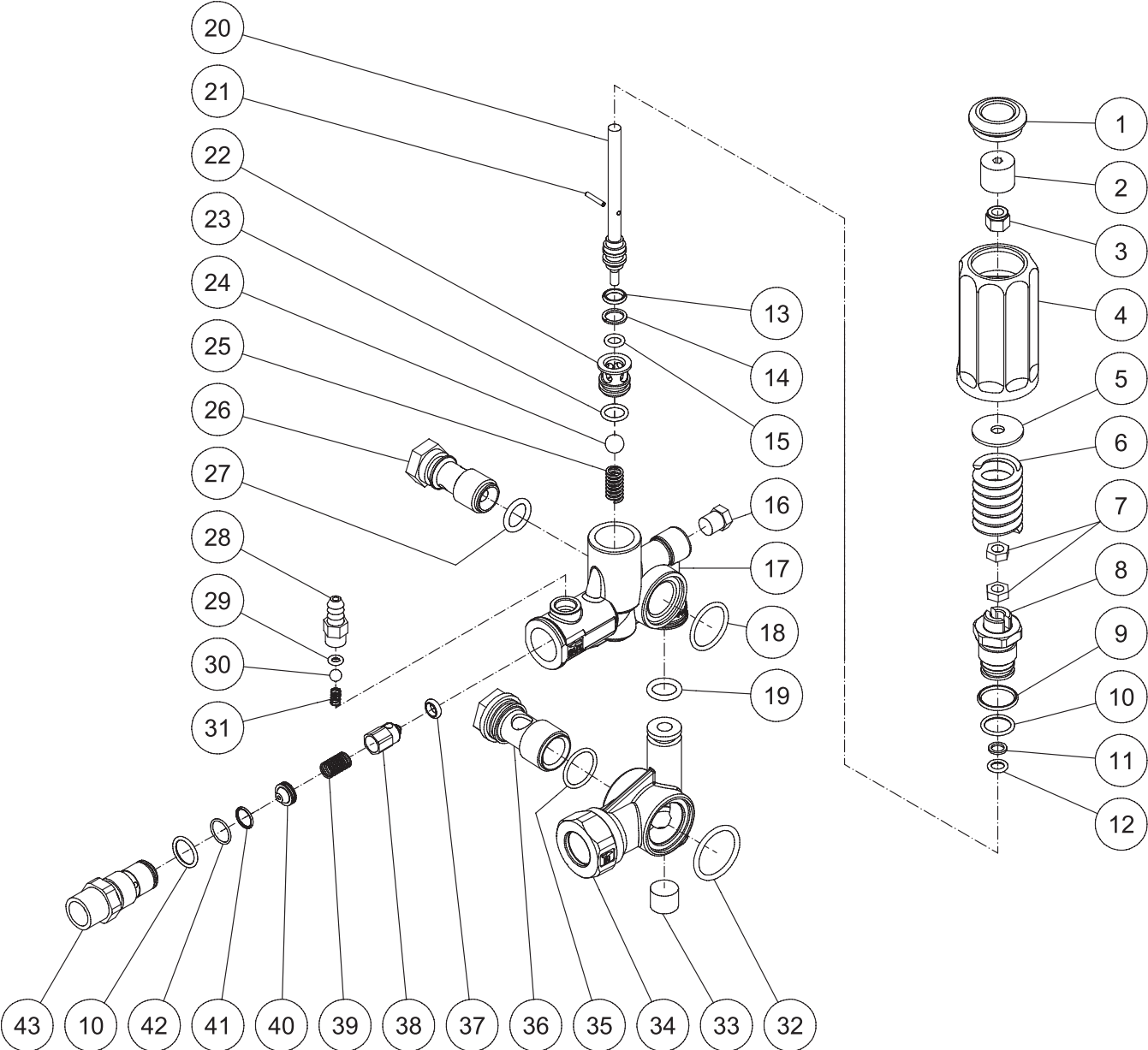
PUMP ASSEMBLY

ITEM	DESCRIPTION	PART #	QTY	ITEM	DESCRIPTION	PART #	QTY
1	PLUG	39-0241	6	24	OIL INDICATOR	46-1452	1
2	O-RING (SEE 70-0565)	25-0644	6	25	COVER	46-1453	1
3	COMPLETE VALVE (SEE 70-0609)	SEE KIT	6	26	SCREW	27-8888	8
4	SCREW	N/A	8	27	OIL CAP	39-0254	1
5	WASHER	N/A	8	28	NUT	30-6016	3
6	HEAD	N/A	1	29	WASHER	26-0187	3
7	O-RING (SEE 70-0565)	25-0372	1	30	PISTON GUIDE (SEE 70-0606)	SEE KIT	3
8	PLUG	39-0202	1	31	SPACER	28-1027	3
9	O-RING (SEE 70-0565)	25-0510	1	32	SEAL (SEE 70-0566)	26-0193	3
10	PLUG	39-0102	1	33	O-RING (SEE 70-0565)	25-0371	3
11	RING (SEE 70-0563)	SEE KIT	3	34	PISTON GUIDE	N/A	3
12	GASKET (SEE 70-0567)	SEE KIT	3	35	CONNECTING ROD	N/A	3
13	PISTON GUIDE	46-1449	3	36	CONNECTING ROD PIN	46-0721	3
14	GASKET (SEE 70-0567)	SEE KIT	3	37	O-RING (SEE 70-0565)	SEE KIT	1
15	RING (SEE 70-0567)	SEE KIT	3	38	REAR COVER	46-1455	1
16	O-RING (SEE 70-0565 AND 70-0567)	25-0149	3	39	O-RING (SEE 70-0565)	25-0387	1
17	PISTON GUIDE	46-1450	3	40	PLUG	39-0096	1
18	PUMP BODY	N/A	1	41	SCREW	N/A	4
19	BEARING	48-0063	1	42	CRANKSHAFT	N/A	1
20	SNAP RING	46-0676	2	43	BEARING	N/A	1
21	SNAP RING	46-0732	1	44	SEAL (SEE 70-0566)	26-0192	1
22	O-RING (SEE 70-0565)	SEE KIT	1	45	FLANGE	46-1460	1
23	DISC	46-1451	1	46	SCREW	N/A	4

REPLACEMENT KITS

Mi-T-M KIT #	DESCRIPTION	ITEMS	# OF ASSEMBLIES	# OF CYLINDERS
70-0609	KIT - VALVES	3	6	3
70-0460	KIT - SUPPORT RING	11	3	3
70-0606	KIT - PISTONS	30	3	3
70-0565	KIT - O-RINGS	2, 7, 9, 16, 22, 33, 37, 39	6, 1, 1, 3, 1, 1, 1, 1	3
70-0566	KIT - OIL SEALS	32, 44	3, 1	3
70-0567	KIT - WATER SEALS	12, 14, 15, 16	3, 3, 3, 3	3

UNLOADER ASSEMBLY (8-0625)

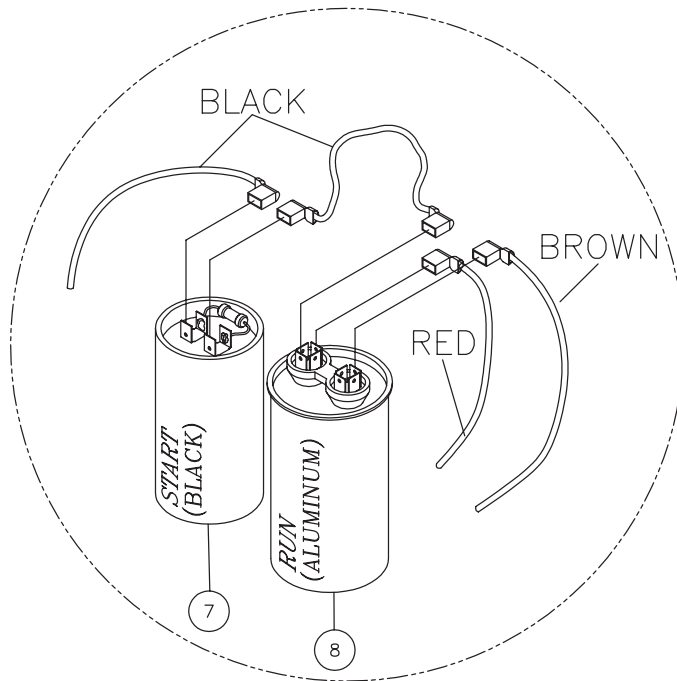


8-0625 071911 MLK

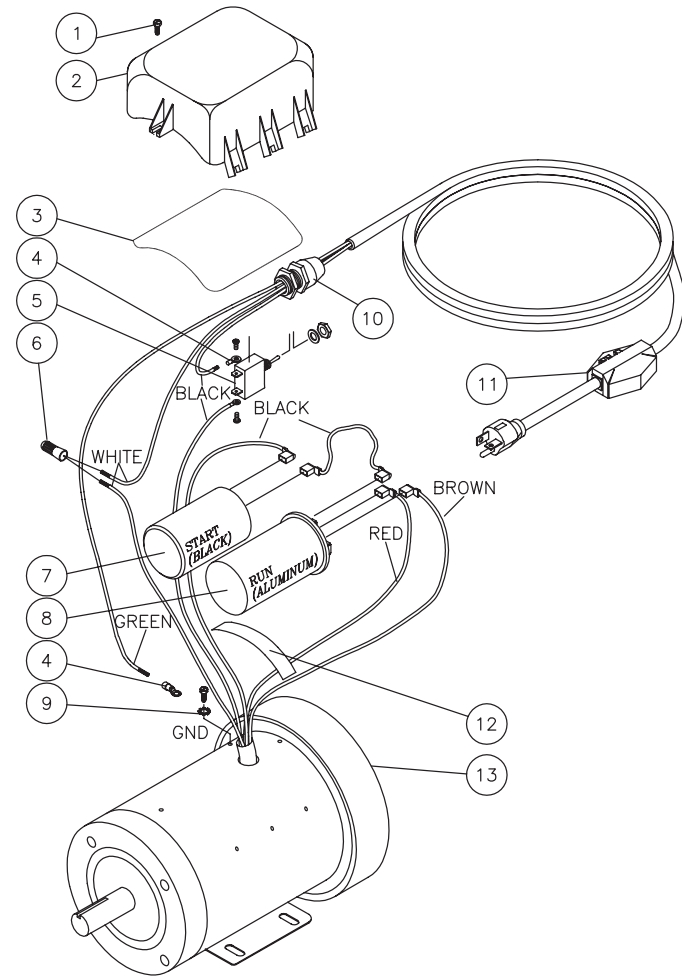
UNLOADER ASSEMBLY

ITEM	DESCRIPTION	PART #	QTY	ITEM	DESCRIPTION	PART #	QTY
1	PLASTIC CAP	46-1461	1	23	O-RING	25-0255	1
2	BUSHING	46-1462	1	24	BALL	N/A	1
3	LOCKNUT	30-5018	1	25	SPRING	N/A	1
4	KNOB	7-0232	1	26	BANJO BOLT	8-0516	1
5	WASHER	28-0067	1	27	O-RING	25-0388	1
6	SPRING	N/A	1	28	HOSE BARB	46-0869	1
7	NUT	30-6024	2	29	O-RING	25-0371	1
8	PISTION GUIDE	N/A	1	30	BALL	8-0521	1
9	O-RING	25-0644	1	31	SPRING	8-0520	1
10	O-RING	25-0407	2	32	O-RING	25-0519	1
11	SPACER	N/A	1	33	PLUG	39-0363	1
12	O-RING	25-0502	1	34	BY-PASS HOUSING	N/A	1
13	O-RING	N/A	1	35	O-RING	25-0389	1
14	O-RING	25-0404	1	36	BANJO BOLT	8-0517	1
15	O-RING	25-0209	1	37	O-RING	25-0646	1
16	PLUG	39-0097	1	38	NON-RETURN VALVE	46-1249	1
17	VALVE HOUSING	N/A	1	39	SPRING	49-0167	1
18	O-RING	25-0370	1	40	ORIFICE	46-1250	1
19	O-RING	25-0527	1	41	O-RING	25-0500	1
20	THREADED PISTON	N/A	1	42	O-RING	25-0596	1
21	PIN	43-0139	1	43	DETERGENT INJECTOR	46-1251	1
22	SEAT	N/A	1		O-RING REPAIR KIT (INC. 9, 10, 12, 13, 15, 18, 19, 23, 27, 29, 32, 35, 37, 41, 42)	70-0583	

MOTOR ASSEMBLY (851-0247 & 851-0248)



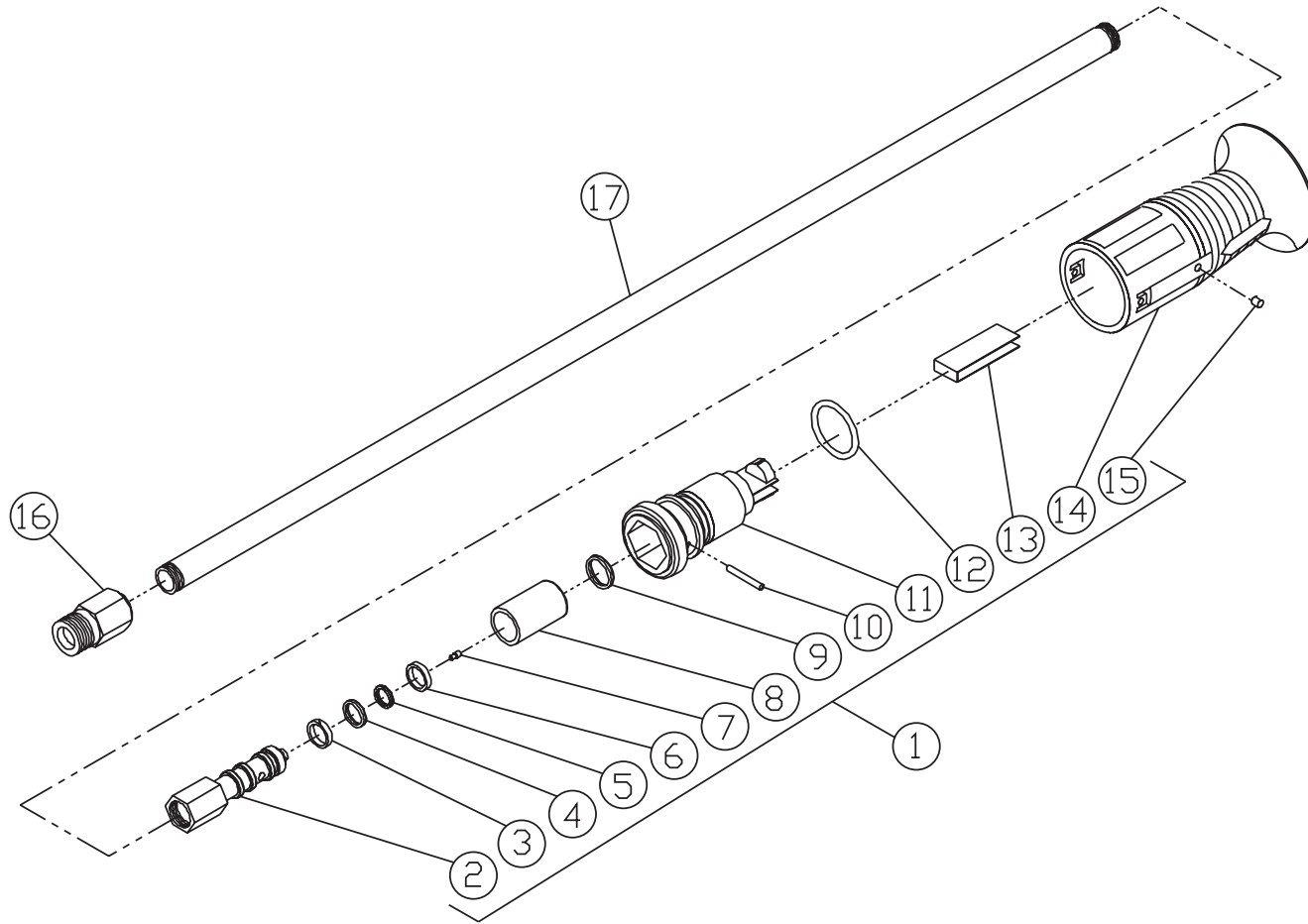
CAPACITOR TERMINAL ASSEMBLY



MOTOR ASSEMBLY

REF. #	DESCRIPTION	PART #	QTY.
1	Hex Screw	27-8389	8
2	Motor Box	52-0041	1
3	O-ring	25-0338	1
4	Terminal	32-0099	2
5	Switch (20 Amp)	32-0348	1
6	Crimp Splice	32-0359	1
7	Starting Capacitor 1.5	32-0411	1
-	Starting Capacitor 2.0	32-0412	1
8	Running Capacitor	32-0413	1
9	Lockwasher	28-1009	1
10	Strain Relief	32-0407	1
11	GFCI Cord 20 Amp	32-0215	1
-	GFCI Cord 15 Amp	32-0268	1
12	Motor Box Strap	52-0042	1
13	Motor- 1.5 H.P. (See 851-0247)	2-0083	1
-	Motor- 2.0 H.P. (See 851-0248)	2-0084	1
	Complete Motor Assembly (Inc. 1-13)	851-0247	
	Complete Motor Assembly (Inc. 1-13)	851-0248	

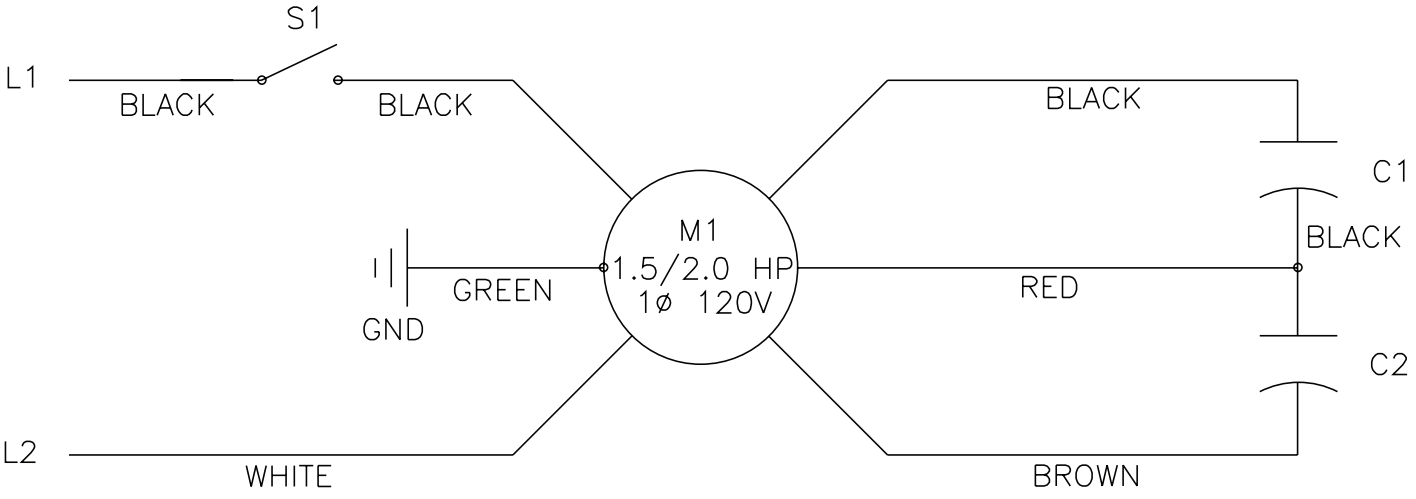
LANCE ASSEMBLY (16-0412 AND 16-0413)



16-0381-0481103-DLG

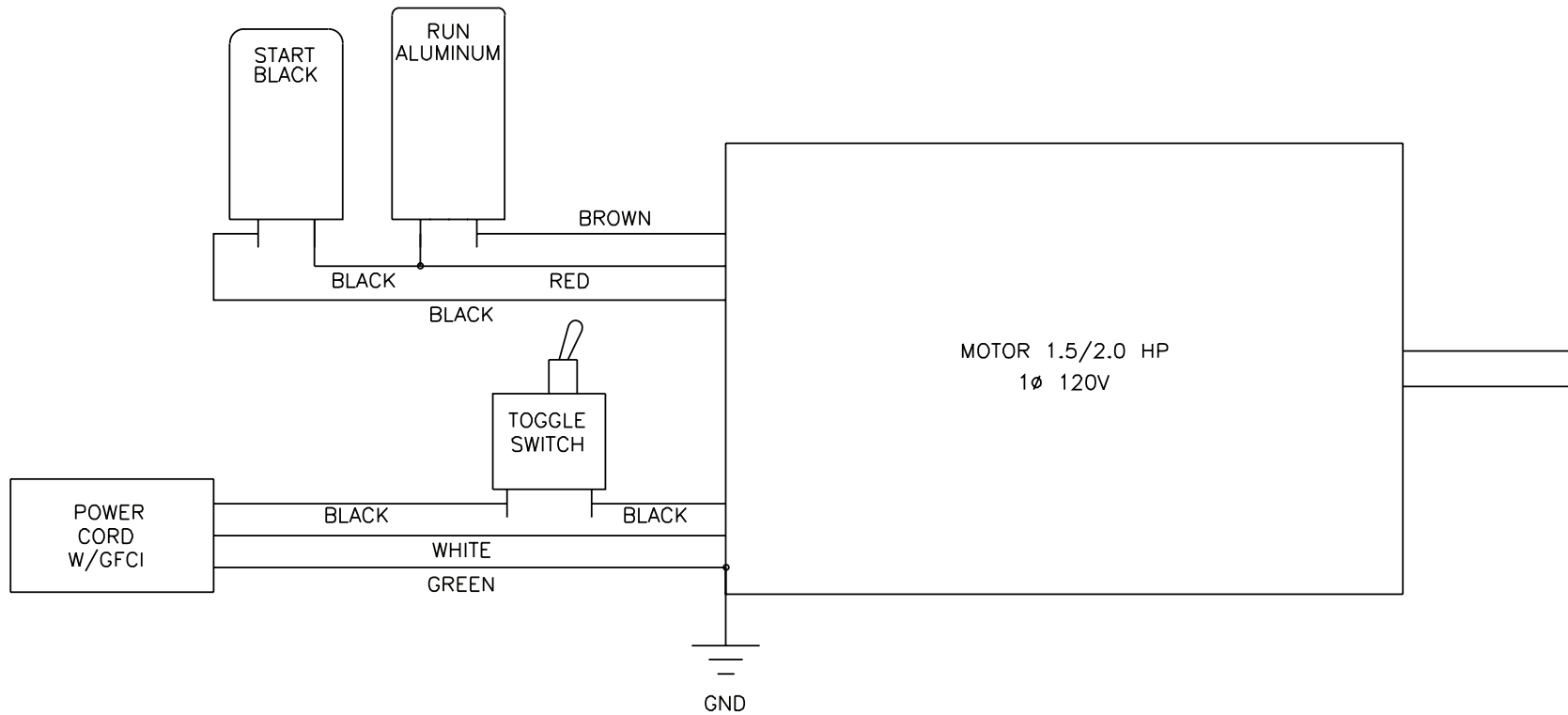
LANCE ASSEMBLY (16-0412 AND 16-0413)								
REF. #	DESCRIPTION	PART #	QTY.		REF. #	DESCRIPTION	PART #	QTY.
1	Nozzle Assembly (Inc. 2-15)	18-0274	1		11	Plastic Housing (See 18-0274)	N/A Sep.	1
2	Nozzle Body	18-0284	1		12	O-ring	25-0342	1
3	Back-up Ring	25-0346	1		13	Angle Plate	18-0283	1
4	O-ring	25-0345	1		14	Nozzle Protector	18-0353	1
5	O-ring	25-0343	1		15	I.D. Pin- 1.25mm	18-0287	1
6	Back-up Ring	25-0344	1		-	I.D. Pin- 1.40mm	18-0290	1
7	Nozzle- 1.25mm	16-0171	1		16	Coupling	16-0378	1
-	Nozzle- 1.40mm	16-0173	1		17	Pipe	16-0379	1
8	Sleeve (See 18-0274)	N/A Sep.	1			Repair Kit (Inc. 4-6, 13)	70-0303	
9	O-ring	25-0419	1			Complete Lance Assembly - 1.25mm (Inc. 1-17)	16-0412	
10	Pin	43-0083	1			Complete Lance Assembly - 1.40mm (Inc. 1-17)	16-0413	

WIRING SCHEMATIC



OMCWU189S -061295-DCE

WIRING DIAGRAM



Manufactured by Mi-T-M
8650 Enterprise Drive, Peosta IA 52068
563-556-7484/ Fax 563-556-1235