



Illustrated Parts List

Model Series

121S00

TYPE NUMBERS
0001 through 3120.

TABLE OF CONTENTS

Air Cleaner	9
Alternator	12
Blower Housing	5
Camshaft	2
Carburetor	10
Carburetor Overhaul Kit	10
Controls	11
Covers	5
Crankshaft	2
Cylinder	2
Cylinder Head	3
Electric Starter	12
Exhaust System	8
Flywheel/Guards	6
Fuel Supply	7
Gasket Set - Engine	4
Gasket Set - Valve	3
Governor Spring	11
Ignition	12
Lubrication	7
Piston/Rings/Connecting Rod	2
Rewind Starter	5
Sump	4
Thermostat	11
Valves	3
Warning Label	2



PRINTED IN U.S.A.

COPYRIGHT by BRIGGS & STRATTON CORPORATION
All rights reserved. No part of this material may be reproduced or transmitted,
in any form or by any means, electronic or mechanical, including photocopying,
recording or by any information storage and retrieval system, without permission
in writing from Briggs & Stratton Corporation.

121S00

1319 WARNING LABEL



REQUIRED when replacing parts with warning labels affixed.

1319A WARNING LABEL

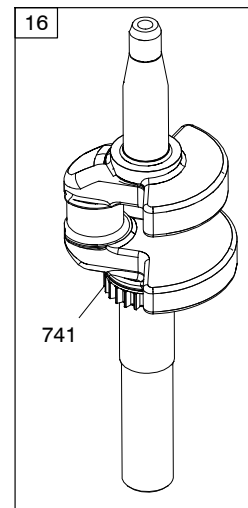
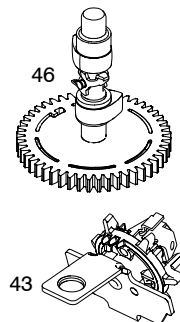
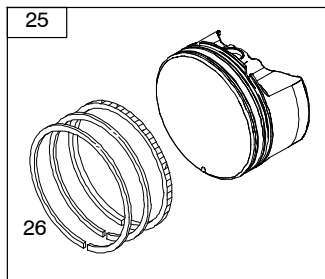
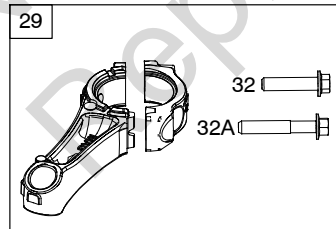
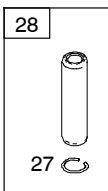
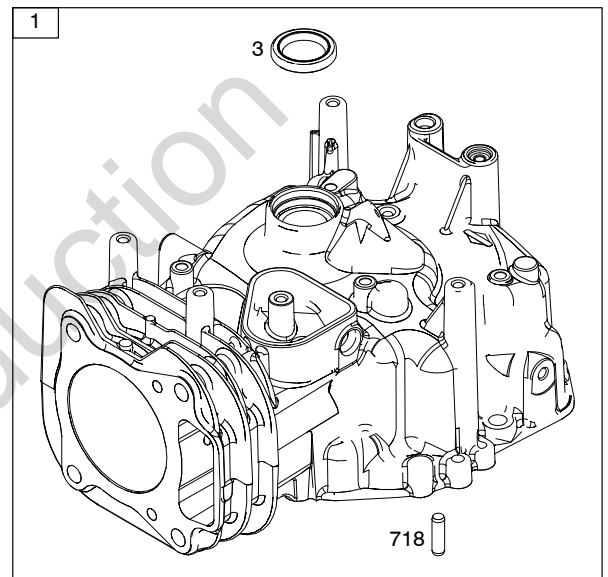
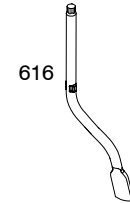
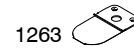
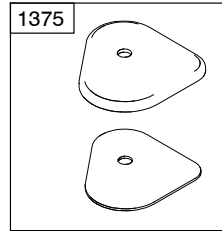


REQUIRED when replacing parts with warning labels affixed.

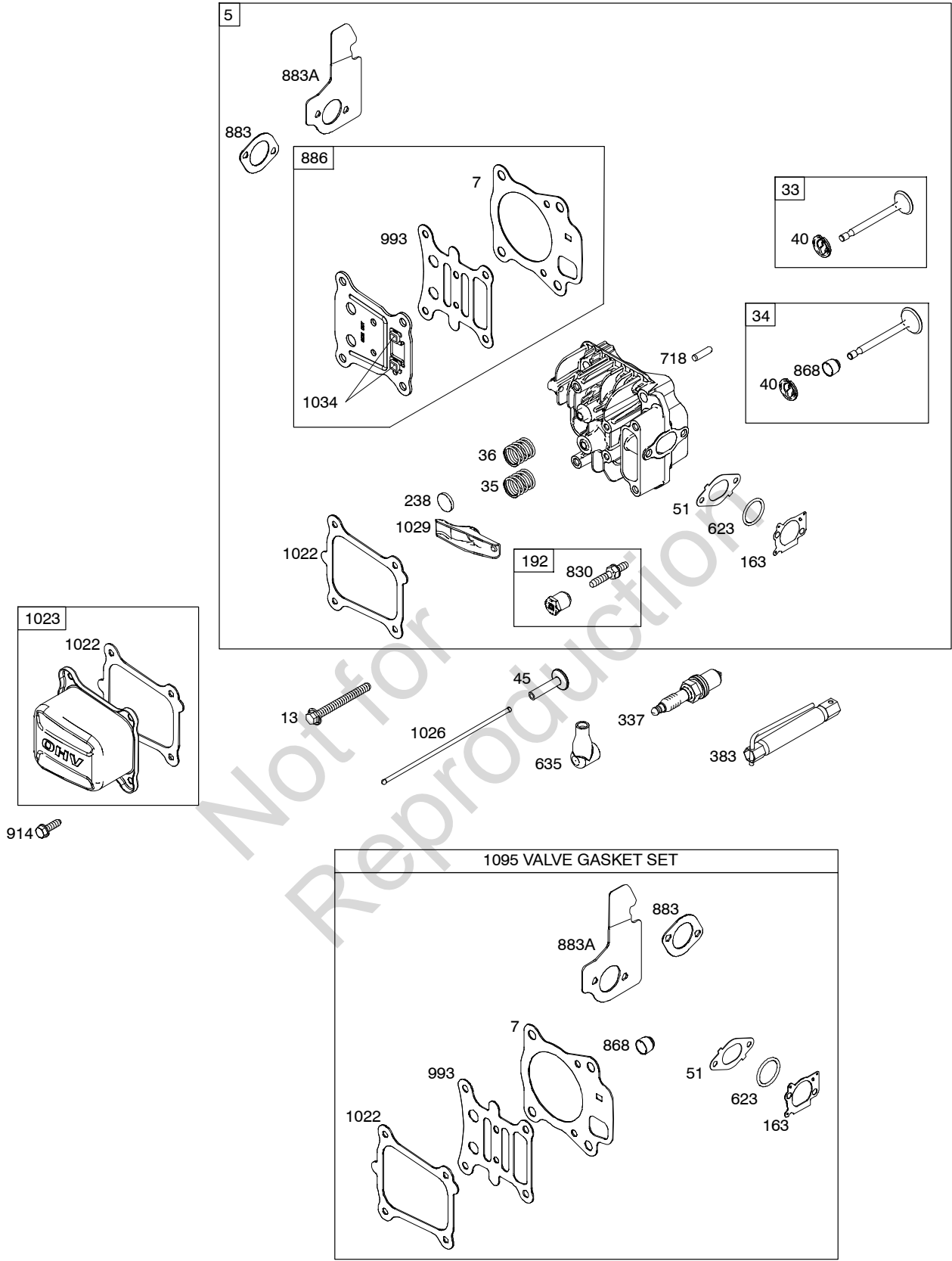
1330 REPAIR MANUAL



1036 EMISSIONS LABEL

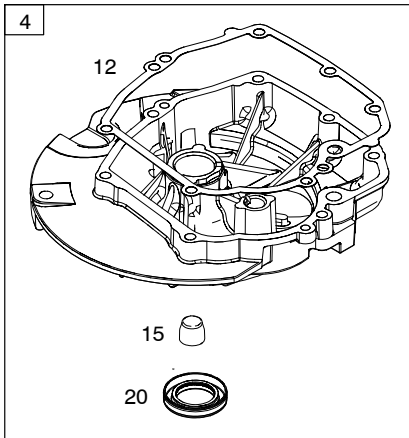


Illustrations cover a range of engines. Parts shown without text may not be used on your specific engine.

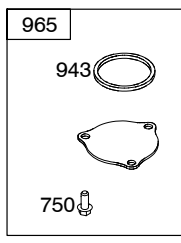
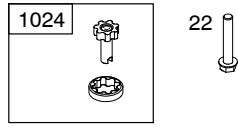
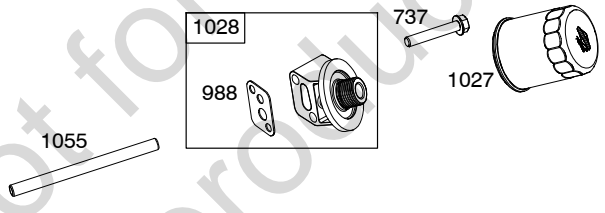
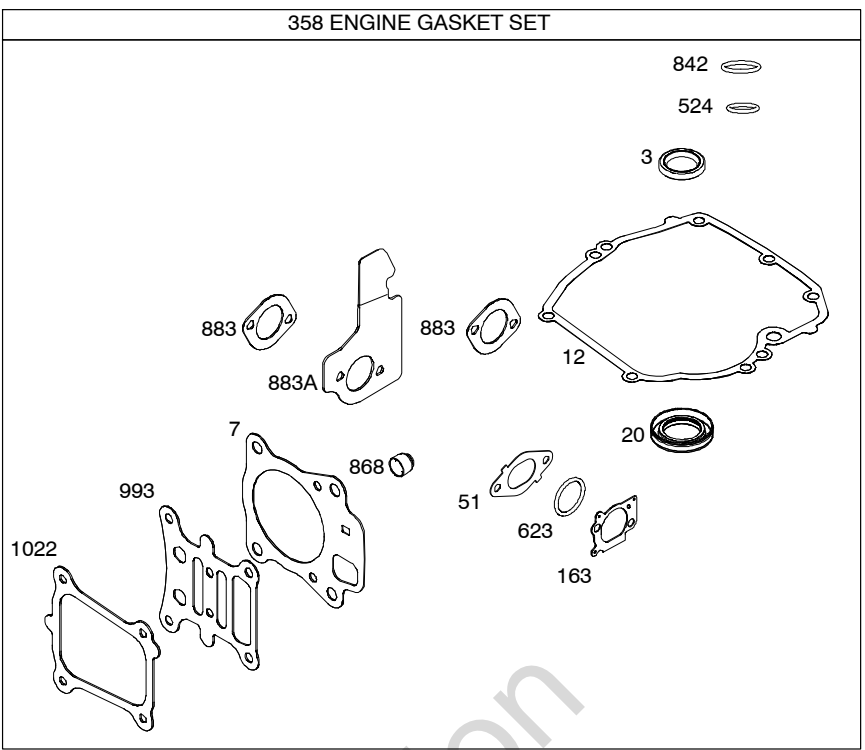
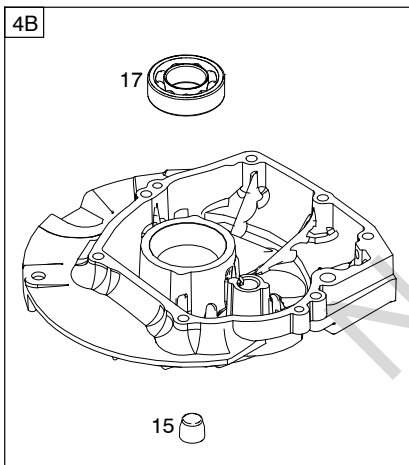


Illustrations cover a range of engines. Parts shown without text may not be used on your specific engine.

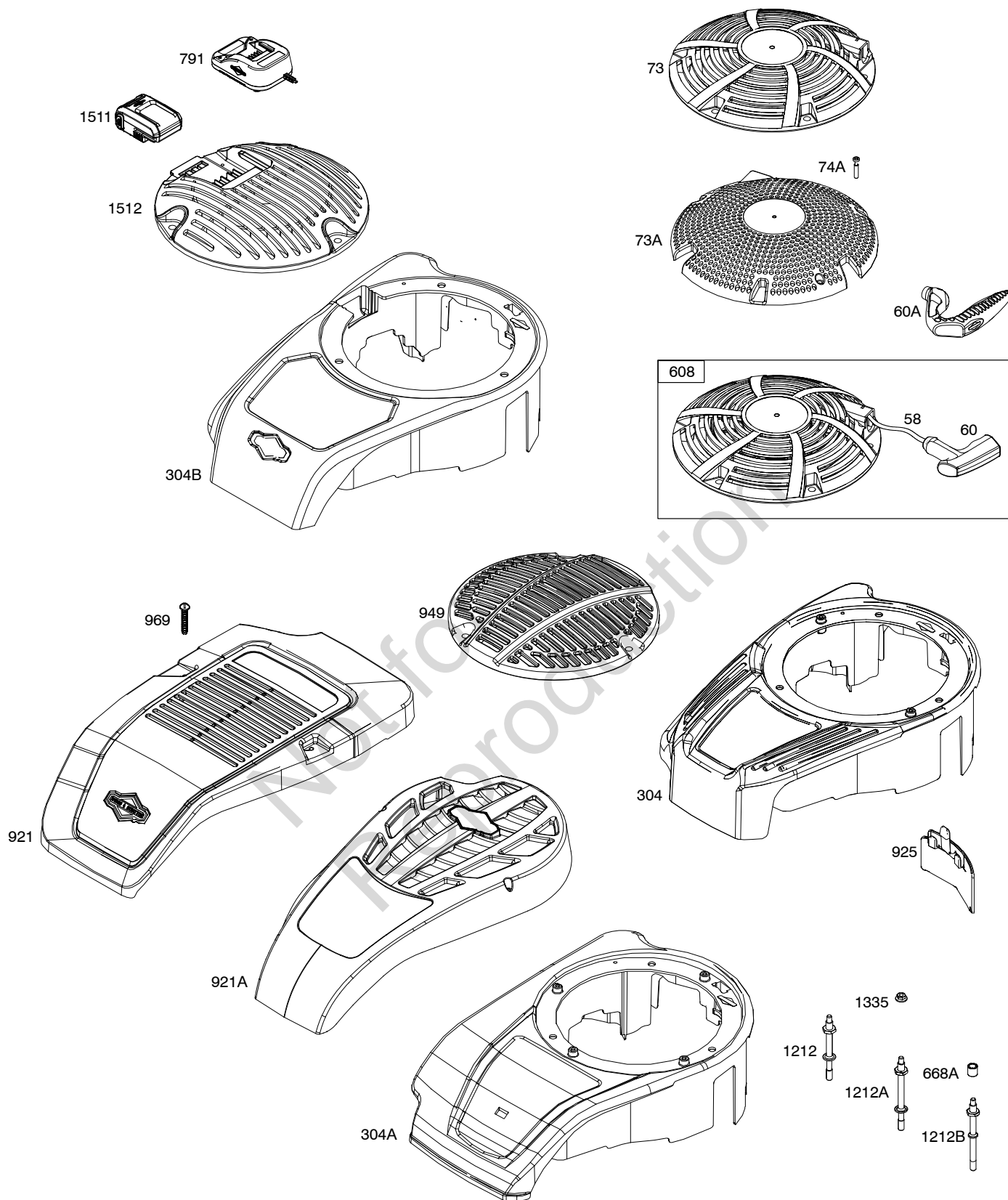
718 



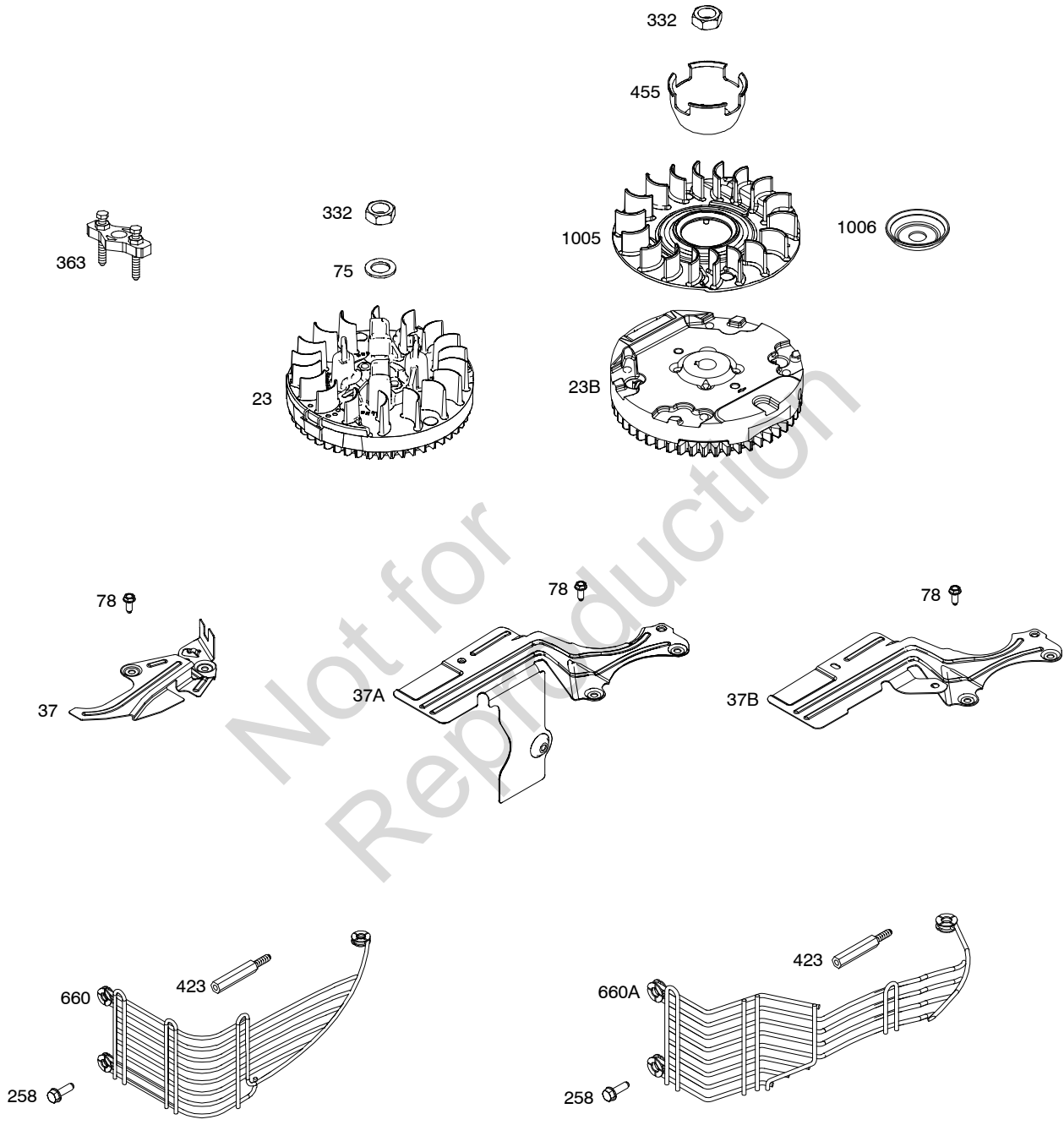
718 



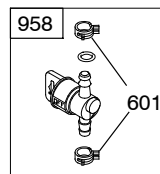
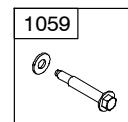
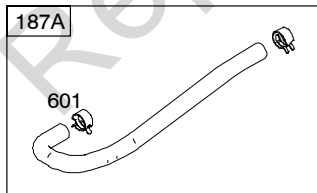
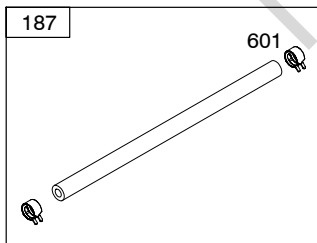
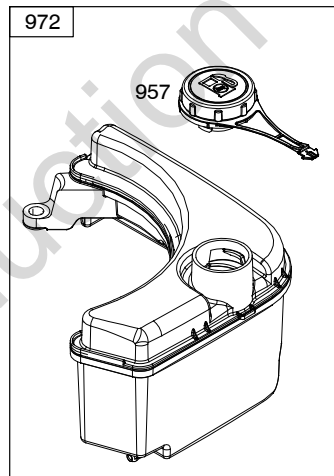
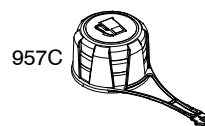
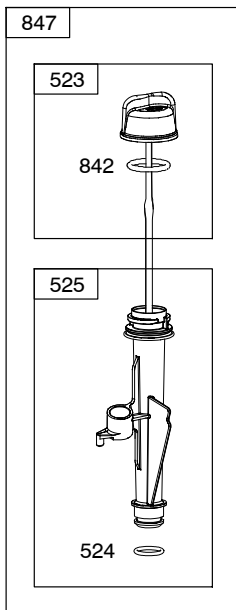
Illustrations cover a range of engines. Parts shown without text may not be used on your specific engine.



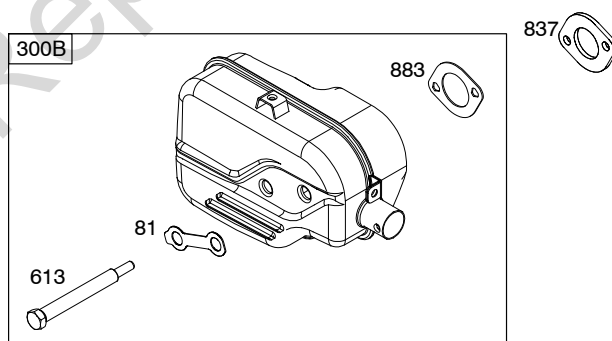
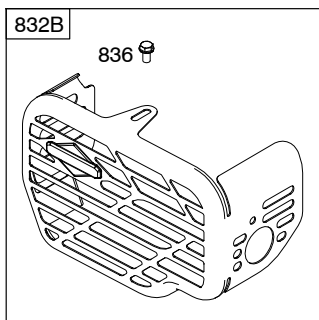
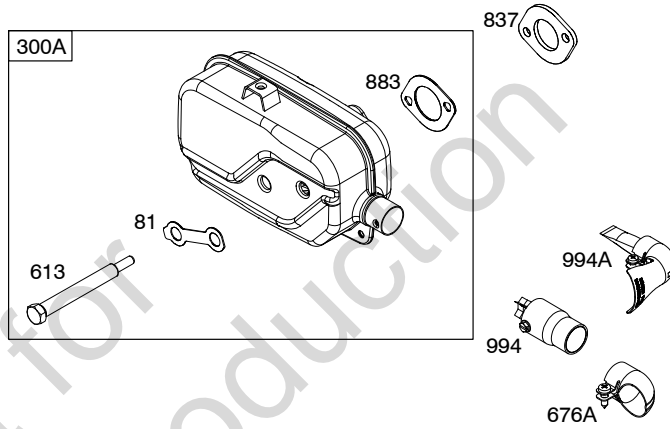
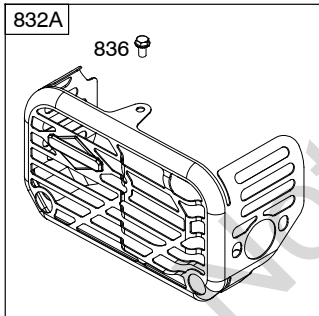
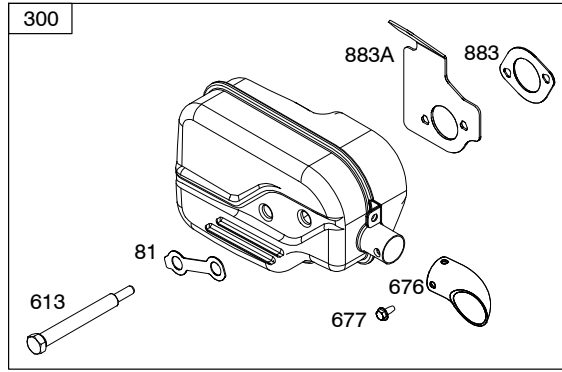
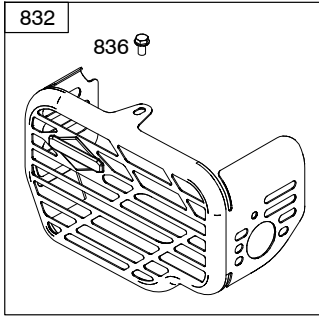
Illustrations cover a range of engines. Parts shown without text may not be used on your specific engine.



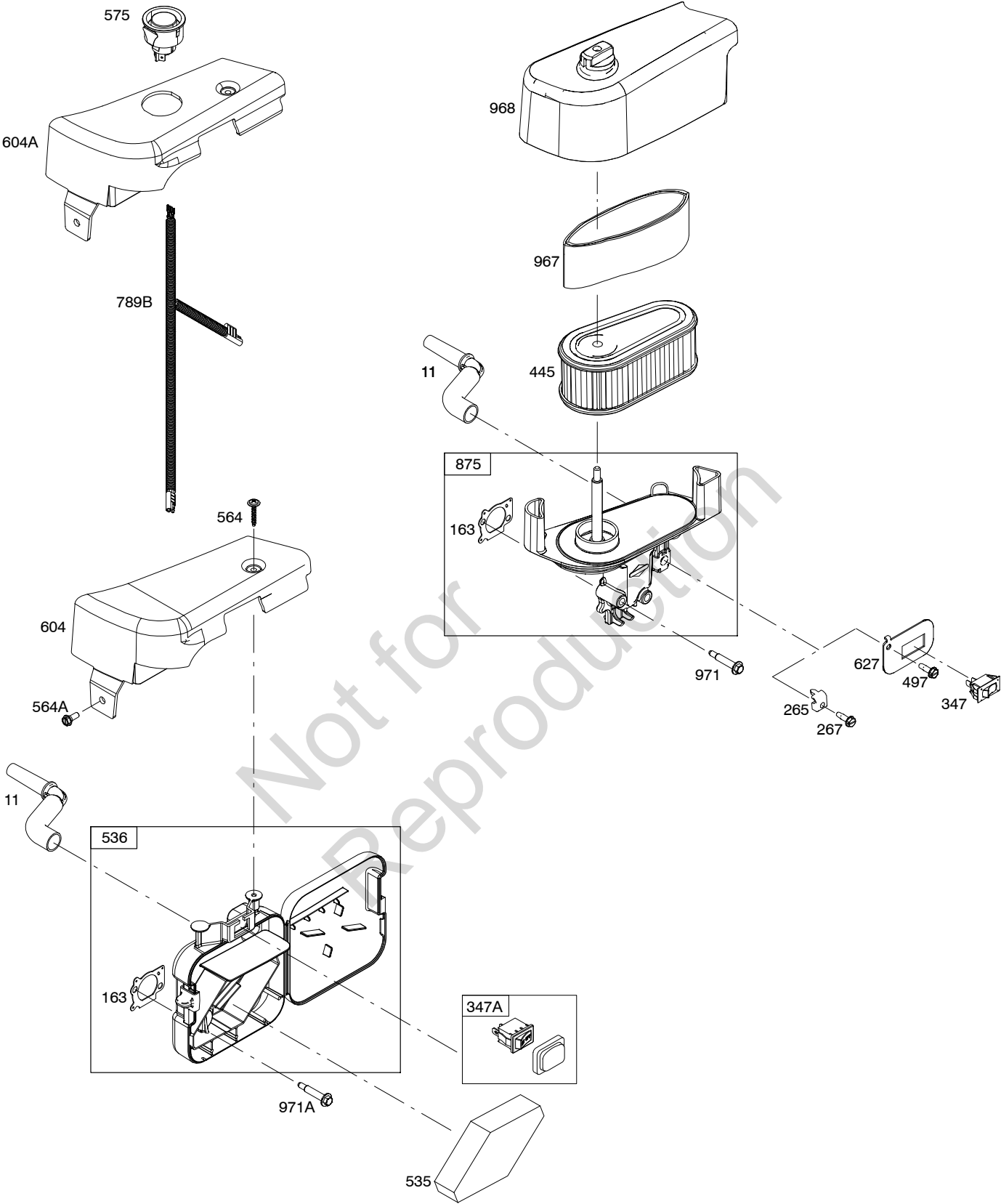
Illustrations cover a range of engines. Parts shown without text may not be used on your specific engine.



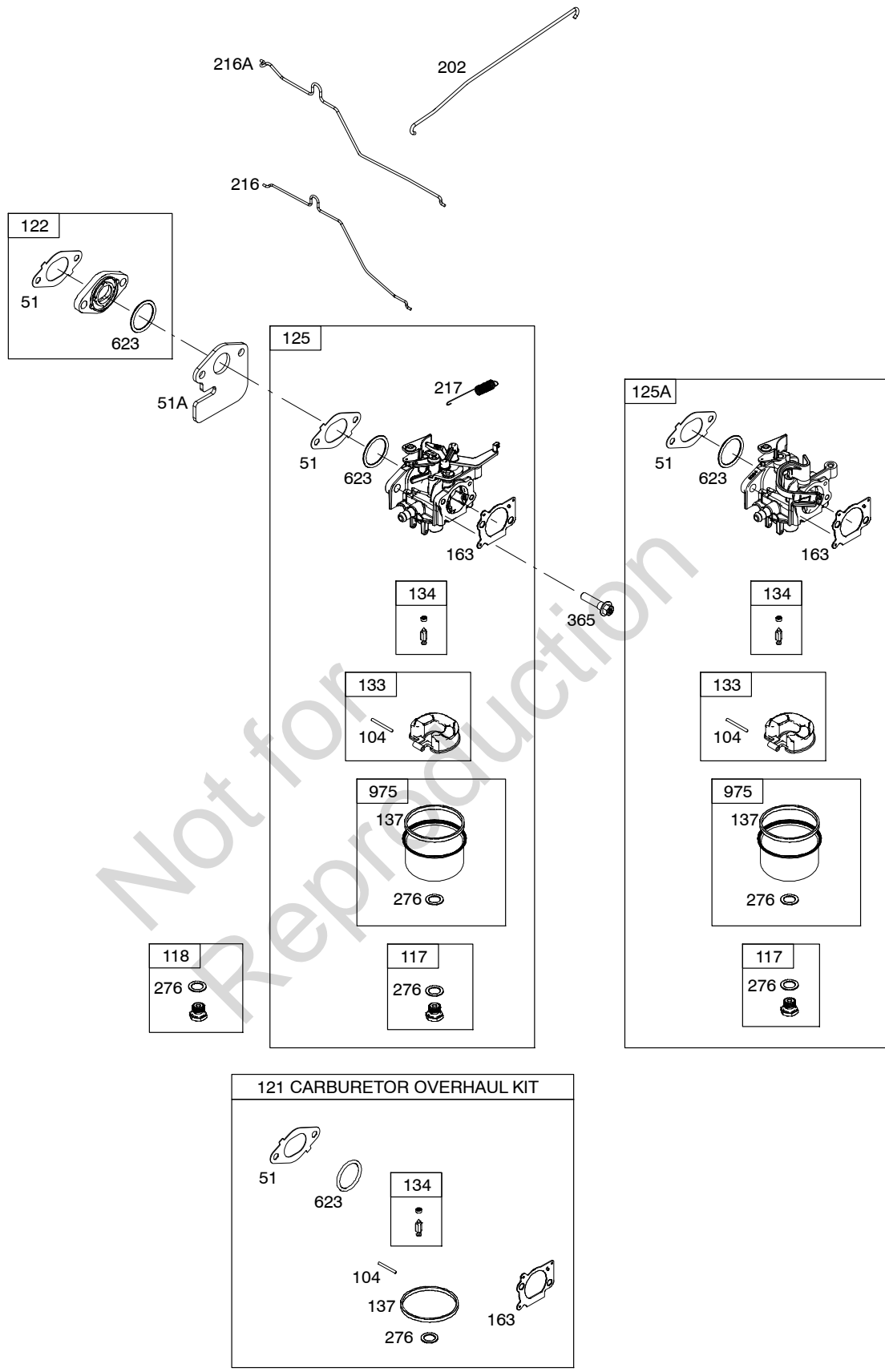
Illustrations cover a range of engines. Parts shown without text may not be used on your specific engine.



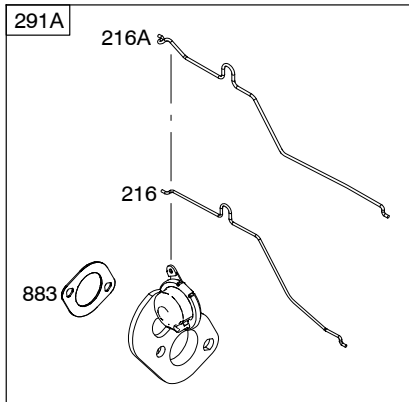
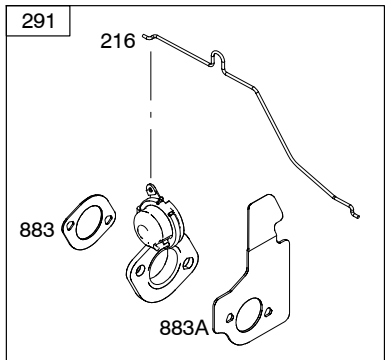
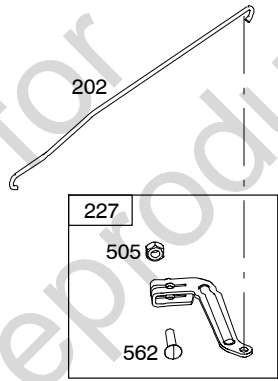
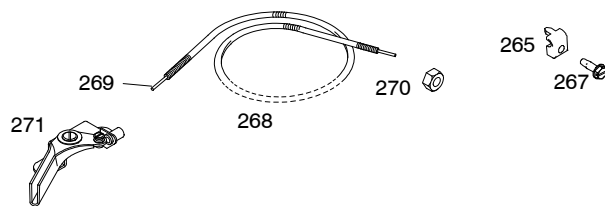
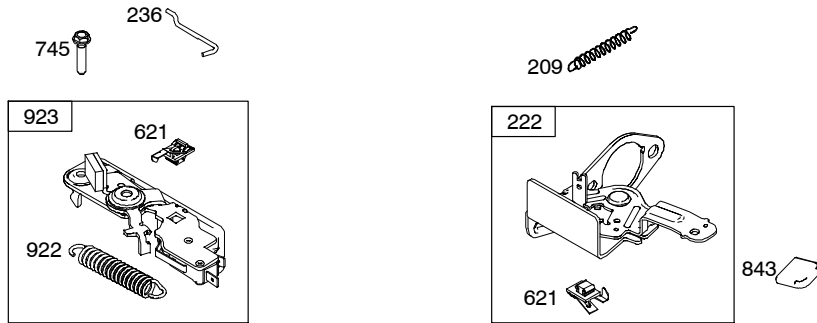
Illustrations cover a range of engines. Parts shown without text may not be used on your specific engine.



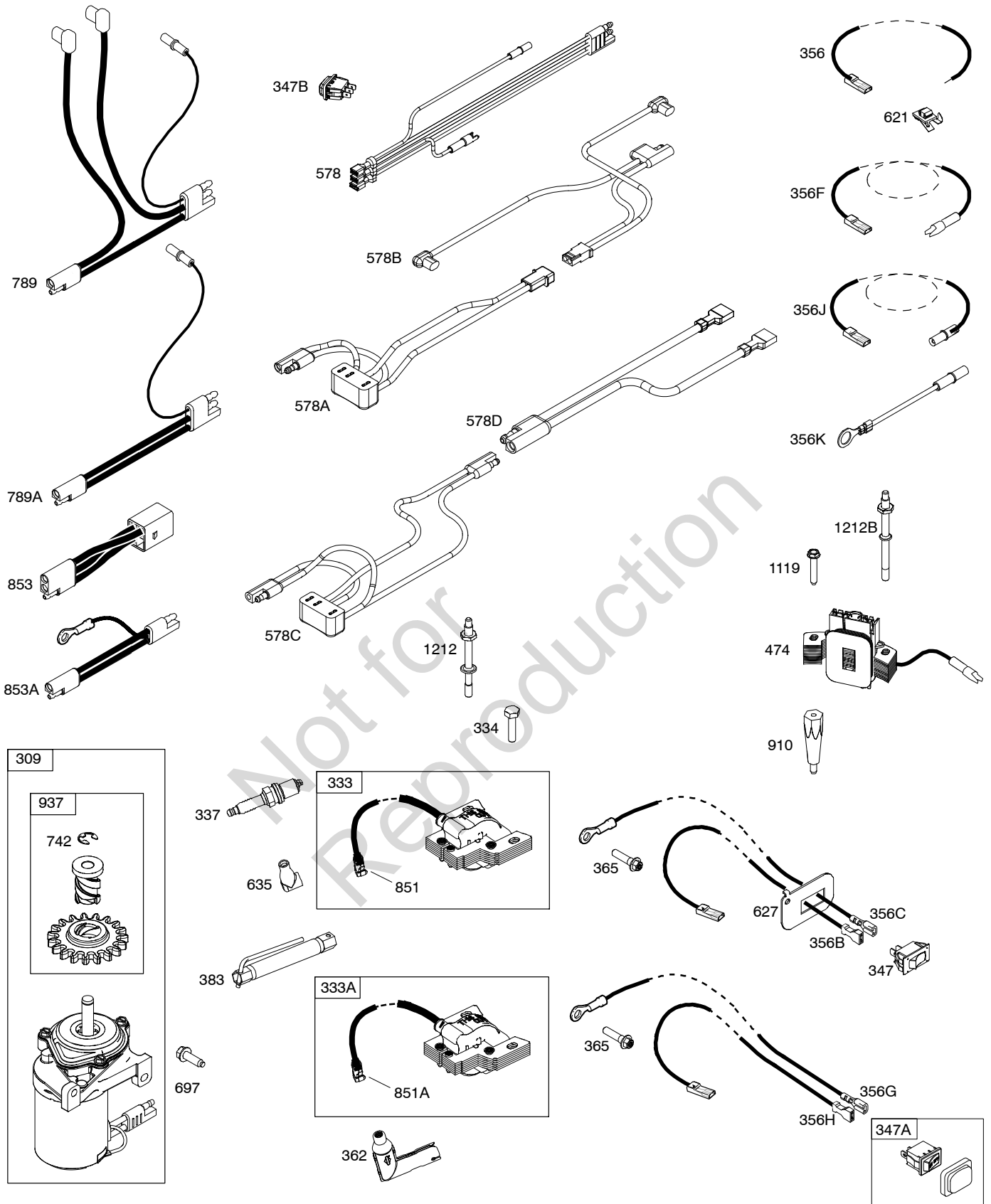
Illustrations cover a range of engines. Parts shown without text may not be used on your specific engine.



Illustrations cover a range of engines. Parts shown without text may not be used on your specific engine.



Illustrations cover a range of engines. Parts shown without text may not be used on your specific engine.



Illustrations cover a range of engines. Parts shown without text may not be used on your specific engine.

REF. NO.	PART NO.	DESCRIPTION	REF. NO.	PART NO.	DESCRIPTION	REF. NO.	PART NO.	DESCRIPTION
1	798947	Cylinder Assembly		796924	Crankshaft		797386	Flywheel
3	299819s	Seal-Oil (Magneto Side)			Used on Type No(s). 0021, 0028, 0070, 2021.			(Zinc) (Used Before Code Date 11070100)
4	493279	Sump-Engine		797740	Crankshaft			Used on Type No(s). 2415.
		----- Note -----			Used on Type No(s). 0001, 0006, 0023, 0024, 0026, 0027, 0127, 0130.	23B	796623	Flywheel
	498983	Sump-Engine		799337	Crankshaft			(Cast Iron) Used on Type No(s). 0001, 0002, 0003, 0004, 0005, 0007, 0008, 0010, 0011, 0016, 0022, 0023, 0026, 0032, 0033, 0035, 0037, 0112, 0115, 0117, 0118, 0120, 0123, 0124, 0129, 0130, 0165, 2005, 2008, 2022, 2139.
4B	592941	Sump-Engine			Used on Type No(s). 0002, 0003, 0004, 0011, 0013, 0031, 0032, 0033, 0036, 0064, 0071, 0123, 0124, 2022, 2064.			----- Note -----
		Used on Type No(s). 0030, 0063, 0111, 0114, 0119, 0131, 0132, 0133, 0137, 0138, 2030, 2063, 2119, 2120, 3120.		799686	Crankshaft			799478
5	796471	Head-Cylinder			Used on Type No(s). 0035, 0037, 0038, 0128, 0140, 0165.			Flywheel
7	796475	Gasket-Cylinder Head	17	798538	Bearing-Ball			(Cast Iron)
11	796478	Tube-Breather	20	399781s	Seal-Oil (PTO Side)			Used on Type No(s). 0012, 0014, 0986.
12	692232	Gasket-Crankcase	22	691092	Screw (Crankcase Cover/Sump)			799478
13	793451	Screw (Cylinder Head)			Flywheel			(Cast Iron)
15	691680	Plug-Oil Drain (Square Socket)	23	590421	Flywheel (Aluminum)			(Used After Code Date 11063000)
16	796467	Crankshaft			Used on Type No(s). 0015, 0017, 0021, 0025, 0028, 0030, 0034, 0060, 0062, 0063, 0065, 0066, 0067, 0068, 0070, 0110, 0111, 0114, 0116, 0119, 0131, 0132, 0133, 0134, 0135, 0136, 0137, 0138, 0141, 0732, 1590, 2015, 2021, 2025, 2030, 2060, 2062, 2063, 2116, 2119, 2120, 3120.			Used on Type No(s). 2415.
		----- Note -----			----- Note -----			24
	796468	Crankshaft			Used on Type No(s). 0012, 0017, 0019, 0020, 0025, 0030, 0034, 0062, 0063, 0065, 0066, 0067, 0068, 0110, 0111, 0114, 0116, 0119, 0131, 0132, 0133, 0134, 0135, 0137, 0138, 0141, 0986, 1590, 2025, 2030, 2062, 2063, 2116, 2119, 2120, 3120.			222698s
	796469	Crankshaft			Used on Type No(s). 0006, 0009, 0013, 0019, 0020, 0024, 0027, 0031, 0036, 0038, 0064, 0071, 0127, 0128, 0140, 1415, 2064.			Key-Flywheel
		Used on Type No(s). 0005, 0007, 0008, 0015, 0016, 0060, 0112, 0115, 0129, 0136, 0732, 2005, 2008, 2015, 2060.			----- Note -----			----- Note -----
					797386			796335
					Flywheel			Key-Flywheel
					(Zinc)			Used on Type No(s). 0012, 0014, 0020, 0986, 2415.
					Used on Type No(s). 0006, 0009, 0013, 0019, 0020, 0024, 0027, 0031, 0036, 0038, 0064, 0071, 0127, 0128, 0140, 1415, 2064.			25
					----- Note -----			590404
					797386			Piston Assembly
					(Zinc)			(Standard)
					Used on Type No(s). 0006, 0009, 0013, 0019, 0020, 0024, 0027, 0031, 0036, 0038, 0064, 0071, 0127, 0128, 0140, 1415, 2064.			----- Note -----
					----- Note -----			590405
					797386			Piston
					(Zinc)			Assembly
					Used on Type No(s). 0006, 0009, 0013, 0019, 0020, 0024, 0027, 0031, 0036, 0038, 0064, 0071, 0127, 0128, 0140, 1415, 2064.			(.020" Oversize)

121S00

REF. NO.	PART NO.	DESCRIPTION	REF. NO.	PART NO.	DESCRIPTION	REF. NO.	PART NO.	DESCRIPTION	
26	590402	Ring Set (Standard) (Used After Code Date 11063000) ----- Note ----- 797304 Ring Set (Standard) (Used After Code Date 09041900 and Before Code Date 11070100) 796641 Ring Set (Standard) (Used Before Code Date 09042000)	37B	799155	Guard-Flywheel ----- Note ----- 799242 Guard- Flywheel Used on Type No(s). 0006, 0012, 0013, 0014, 0019, 0020, 0024, 0027, 0031, 0034, 0036, 0038, 0064, 0065, 0071, 0127, 0128, 0131, 0133, 0134, 0137, 0138, 0140, 0141, 0986, 1590, 2060, 2062, 2063, 2064, 2116, 2119, 2120, 2415, 3120.	51	796596	Gasket-Intake	
		590403 Ring Set (.020" Oversize) (Used After Code Date 11063000) 797305 Ring Set (.020" Oversize) (Used After Code Date 09041900 and Before Code Date 11070100) 796642 Ring Set (.020" Oversize) (Used Before Code Date 09042000)			799242 Guard- Flywheel (Required for use with replacement Starter Motor Ref# 309 799241) Used on Type No(s). 0060, 0062, 0063, 0114, 0116, 0119, 0732, 1415.	51A	590398	Gasket-Intake	
27	691588	Lock-Piston Pin	40	692194	Retainer-Valve	58	697316	Rope-Starter (Cut to Required Length) ----- Note ----- 791362 Rope-Starter (Cut To Required Length) Used on Type No(s). 0111.	
28	298909	Pin-Piston	43	796650	Slinger-Governor/Oil ----- Note ----- 593912 Slinger- Governor/Oil Used on Type No(s). 0030, 0063, 0111, 0114, 0119, 0131, 0132, 0133, 0137, 0138, 2030, 2063, 2119, 2120, 3120.	60	281434s	Grip-Starter Rope	
29	796470	Rod-Connecting			593913 Slinger- Governor/Oil Used on Type No(s). 0003, 0011, 0013, 0031, 0032, 0033, 0036, 0037, 0038, 0071, 2022, 2064.	60A	799716	Grip-Starter Rope	
32	691664	Screw (Connecting Rod)			45	690977	Tappet-Valve		
32A	695759	Screw (Connecting Rod)			46	694039	Camshaft ----- Note ----- 694040 Camshaft Used on Type No(s). 0030, 0063, 0111, 0114, 0119, 0131, 0132, 0133, 0137, 0138, 2030, 2063, 2119, 2120, 3120.		
33	499642	Valve-Exhaust					73	798337	Screen-Rotating
34	795443	Valve-Intake					73A	591333	Screen-Rotating
35	691304	Spring-Valve (Intake)					74A	691138	Screw (Rotating Screen)
36	691304	Spring-Valve (Exhaust)					74A	691138	Screw (Rotating Screen)
37	590921	Guard-Flywheel					75	691736	Washer (Flywheel)
37A	796534	Guard-Flywheel ----- Note ----- 796535 Guard- Flywheel Used on Type No(s). 0009, 0060, 0062, 0063, 0114, 0116, 0119, 0732, 1415.					75	691736	Washer (Flywheel)
							78	793480	Screw (Flywheel Guard)
							81	691740	Lock-Muffler Screw
							104	797622	Pin-Float Hinge
							117	697355	Jet-Main (Standard) Used on Type No(s). 0005, 0008, 0009, 0010, 0015, 0021, 0022, 0025, 0030, 0035, 0060, 0062, 0063, 0110, 0112, 0114, 0115, 0116, 0117, 0118, 0119, 0120, 0128, 0140, 0165, 0732, 1415, 2139. ----- Note ----- 798661 Jet-Main (Standard) Used on Type No(s). 0001, 0006, 0007, 0012, 0014, 0016, 0017, 0019, 0020, 0023, 0024, 0026, 0027, 0028, 0034, 0037, 0038, 0065, 0066, 0067, 0068, 0070, 0129, 0130, 0131, 0132, 0133, 0134, 0135, 0136, 0137, 0138, 0141, 0986, 2005, 2030, 2063, 3120.

Illustrations cover a range of engines. Parts shown without corresponding text may not be used on your specific engine.
10055-14 Assemblies include all parts shown in frames. 10/08/2015

REF. NO.	PART NO.	DESCRIPTION	REF. NO.	PART NO.	DESCRIPTION	REF. NO.	PART NO.	DESCRIPTION
	798661	Jet-Main (Standard) (Used After Code Date 11063000) Used on Type No(s). 0111, 0127, 1590, 2008, 2015, 2021, 2022, 2025, 2060, 2062, 2116, 2119, 2120, 2415.	118	494870	Jet-Main (High Altitude) Used on Type No(s). 0005, 0008, 0009, 0010, 0015, 0021, 0022, 0025, 0030, 0035, 0060, 0062, 0063, 0110, 0112, 0114, 0115, 0116, 0117, 0118, 0119, 0120, 0128, 0140, 0165, 0732, 1415, 2139.		799607	Jet-Main (High Altitude) (Used After Code Date 14012600) Used on Type No(s). 0002, 0003, 0004, 0011, 0013, 0031, 0064, 0123, 2064.
	798660	Jet-Main (Standard) Used on Type No(s). 0032, 0033, 0036, 0071.			----- Note -----		494870	Jet-Main (High Altitude) (Used Before Code Date 11070100) Used on Type No(s). 0111, 0127, 1590, 2008, 2015, 2021, 2022, 2025, 2060, 2062, 2116, 2119, 2120, 2415.
	798660	Jet-Main (Standard) (Used After Code Date 14012600) Used on Type No(s). 0002, 0003, 0004, 0011, 0013, 0031, 0064, 0123, 2064.			799605 Jet-Main (High Altitude) Used on Type No(s). 0001, 0006, 0007, 0012, 0014, 0016, 0017, 0019, 0020, 0023, 0024, 0026, 0027, 0028, 0034, 0037, 0038, 0065, 0066, 0067, 0068, 0070, 0129, 0130, 0131, 0132, 0133, 0134, 0135, 0136, 0137, 0138, 0141, 0986, 2005, 2030, 2063, 3120.		799604 Jet-Main (High Altitude) (Used Before Code Date 14012700) Used on Type No(s). 0002, 0003, 0004, 0011, 0013, 0031, 0064, 0123, 0124, 2064.	
	697355	Jet-Main (Standard) (Used Before Code Date 11070100) Used on Type No(s). 0111, 0127, 1590, 2008, 2015, 2021, 2022, 2025, 2060, 2062, 2116, 2119, 2120, 2415.			799605 Jet-Main (High Altitude) (Used After Code Date 11063000) Used on Type No(s). 0111, 0127, 1590, 2008, 2015, 2021, 2022, 2025, 2060, 2062, 2116, 2119, 2120, 2415.	121	796612	Kit-Carburetor Overhaul ----- Note ----- 592172 Kit-Carburetor Overhaul Used on Type No(s). 0001, 0002, 0003, 0004, 0006, 0007, 0011, 0012, 0013, 0014, 0016, 0017, 0019, 0020, 0023, 0024, 0026, 0027, 0028, 0031, 0032, 0033, 0034, 0036, 0037, 0038, 0064, 0065, 0066, 0067, 0068, 0070, 0071, 0123, 0124, 0129, 0130, 0131, 0132, 0133, 0134, 0135, 0136, 0137, 0138, 0141, 0986, 2005, 2030, 2063, 2064, 3120.
	799178	Jet-Main (Standard) (Used Before Code Date 14012700) Used on Type No(s). 0002, 0003, 0004, 0011, 0013, 0031, 0064, 0123, 0124, 2064.			799607 Jet-Main (High Altitude) Used on Type No(s). 0032, 0033, 0036, 0071.			

121S00

REF. NO.	PART NO.	DESCRIPTION	REF. NO.	PART NO.	DESCRIPTION	REF. NO.	PART NO.	DESCRIPTION
		592172 Kit-Carburetor Overhaul (Used After Code Date 11063000) Used on Type No(s). 0111, 0127, 1590, 2008, 2015, 2021, 2022, 2025, 2060, 2062, 2116, 2119, 2120, 2415.			591137 Carburetor (Used After Code Date 11063000) Used on Type No(s). 0111, 0127, 1590, 2008, 2015, 2021, 2022, 2025, 2060, 2062, 2116, 2119, 2120, 2415.	125A	797736	Carburetor Used on Type No(s). 0010, 0035, 0128, 0140, 0165, 2139.
		796612 Kit-Carburetor Overhaul (Used Before Code Date 11070100) Used on Type No(s). 0111, 0127, 1590, 2008, 2015, 2021, 2022, 2025, 2060, 2062, 2116, 2119, 2120, 2415.			593599 Carburetor Used on Type No(s). 0002, 0003, 0004, 0011, 0013, 0031, 0032, 0033, 0036, 0064, 0071, 0123, 0124, 2064.	133	398187	Float-Carburetor ----- Note ----- 797626 Float-Carburetor Used on Type No(s). 0001, 0002, 0003, 0004, 0006, 0007, 0011, 0012, 0013, 0014, 0016, 0017, 0019, 0020, 0023, 0024, 0026, 0027, 0028, 0031, 0032, 0033, 0034, 0036, 0037, 0038, 0064, 0065, 0066, 0067, 0068, 0070, 0071, 0123, 0124, 0129, 0130, 0131, 0132, 0133, 0134, 0135, 0136, 0137, 0138, 0141, 0986, 2005, 2030, 2063, 2064, 3120.
122	796595	Spacer-Carburetor			796608 Carburetor Used on Type No(s). 0005, 0008, 0009, 0015, 0021, 0022, 0025, 0030, 0060, 0062, 0063, 0110, 0112, 0114, 0115, 0116, 0117, 0118, 0119, 0120, 0732, 1415.			797626 Float-Carburetor (Used After Code Date 11063000) Used on Type No(s). 0111, 0127, 1590, 2008, 2015, 2021, 2022, 2025, 2060, 2062, 2116, 2119, 2120, 2415.
125	796608	Carburetor Used on Type No(s). 0001, 0006, 0007, 0012, 0014, 0016, 0017, 0019, 0020, 0023, 0024, 0026, 0027, 0028, 0034, 0037, 0038, 0065, 0066, 0067, 0068, 0070, 0129, 0130, 0131, 0132, 0133, 0134, 0135, 0136, 0137, 0138, 0141, 0986, 2005, 2030, 2063, 3120.			591137 Carburetor Used on Type No(s). 0001, 0006, 0007, 0012, 0014, 0016, 0017, 0019, 0020, 0023, 0024, 0026, 0027, 0028, 0034, 0037, 0038, 0065, 0066, 0067, 0068, 0070, 0129, 0130, 0131, 0132, 0133, 0134, 0135, 0136, 0137, 0138, 0141, 0986, 2005, 2030, 2063, 3120.			398187 Float-Carburetor (Used Before Code Date 11070100) Used on Type No(s). 0111, 0127, 1590, 2008, 2015, 2021, 2022, 2025, 2060, 2062, 2116, 2119, 2120, 2415.

Illustrations cover a range of engines. Parts shown without corresponding text may not be used on your specific engine.
10055-16 Assemblies include all parts shown in frames. 10/08/2015

REF. NO.	PART NO.	DESCRIPTION	REF. NO.	PART NO.	DESCRIPTION	REF. NO.	PART NO.	DESCRIPTION															
134	398188	Kit-Needle/Seat ----- Note ----- 799177 Kit-Needle/Seat Used on Type No(s). 0001, 0002, 0003, 0004, 0006, 0007, 0011, 0012, 0013, 0014, 0016, 0017, 0019, 0020, 0023, 0024, 0026, 0027, 0028, 0031, 0032, 0033, 0034, 0036, 0037, 0038, 0064, 0065, 0066, 0067, 0068, 0070, 0071, 0123, 0124, 0129, 0130, 0131, 0132, 0133, 0134, 0135, 0136, 0137, 0138, 0141, 0986, 2005, 2030, 2063, 2064, 3120. 799177 Kit-Needle/Seat (Used After Code Date 11063000) Used on Type No(s). 0111, 0127, 1590, 2008, 2015, 2021, 2022, 2025, 2060, 2062, 2116, 2119, 2120, 2415. 398188 Kit-Needle/Seat (Used Before Code Date 11070100) Used on Type No(s). 0111, 0127, 1590, 2008, 2015, 2021, 2022, 2025, 2060, 2062, 2116, 2119, 2120, 2415.	137	796610	Gasket-Float Bowl ----- Note ----- 797625 Gasket-Float Bowl Used on Type No(s). 0001, 0002, 0003, 0004, 0006, 0007, 0011, 0012, 0013, 0014, 0016, 0017, 0019, 0020, 0023, 0024, 0026, 0027, 0028, 0031, 0032, 0033, 0034, 0036, 0037, 0038, 0064, 0065, 0066, 0067, 0068, 0070, 0071, 0123, 0124, 0129, 0130, 0131, 0132, 0133, 0134, 0135, 0136, 0137, 0138, 0141, 0986, 2005, 2030, 2063, 2064, 3120. 797625 Gasket-Float Bowl (Used After Code Date 11063000) Used on Type No(s). 0111, 0127, 1590, 2008, 2015, 2021, 2022, 2025, 2060, 2062, 2116, 2119, 2120, 2415. 796610 Gasket-Float Bowl (Used Before Code Date 11070100) Used on Type No(s). 0111, 0127, 1590, 2008, 2015, 2021, 2022, 2025, 2060, 2062, 2116, 2119, 2120, 2415.	163	691894	Gasket-Air Cleaner	187	791766	Line-Fuel (Cut To Required Length)	187A	796491	Line-Fuel (Formed Hose)	192	796631	Adjuster-Rocker Arm	202	796657	Link-Mechanical Governor	209	793604	Spring-Governor Used on Type No(s). 0002, 0003, 0004, 0008, 0010, 0011, 0013, 0022, 0031, 0032, 0033, 0035, 0036, 0071, 0112, 0120, 0123, 0124, 0136, 2008, 2022. ----- Note ----- 796484 Spring-Governor Used on Type No(s). 0001, 0005, 0006, 0007, 0009, 0012, 0014, 0015, 0016, 0019, 0020, 0021, 0023, 0024, 0025, 0028, 0030, 0034, 0060, 0062, 0063, 0067, 0068, 0070, 0114, 0116, 0119, 0129, 0131, 0134, 0137, 0138, 0141, 0732, 0986, 1415, 1590, 2005, 2015, 2021, 2025, 2030, 2060, 2062, 2063, 2116, 2119, 2120, 2415, 3120. 796926 Spring-Governor Used on Type No(s). 0017, 0026, 0027, 0037, 0038, 0064, 0065, 0066, 0110, 0111, 0127, 0128, 0130, 0132, 0133, 0135, 0140, 0165, 2064, 2139.

121S00

REF. NO.	PART NO.	DESCRIPTION	REF. NO.	PART NO.	DESCRIPTION	REF. NO.	PART NO.	DESCRIPTION
216	796485	Link-Choke Used on Type No(s). 0005, 0008, 0009, 0015, 0021, 0022, 0025, 0030, 0060, 0062, 0063, 0110, 0112, 0114, 0115, 0116, 0117, 0118, 0119, 0120, 0732, 1415. ----- Note ----- 796485 Link-Choke (Used Before Code Date 11070100) Used on Type No(s). 0111, 0127, 1590, 2008, 2015, 2021, 2022, 2025, 2060, 2062, 2116, 2119, 2120, 2415.			799179 Spring-Choke Return (Used After Code Date 11063000) Used on Type No(s). 0111, 0127, 1590, 2008, 2015, 2021, 2022, 2025, 2060, 2062, 2116, 2119, 2120, 2415. 798900 Spring-Choke Return (Used Before Code Date 11070100) Used on Type No(s). 0111, 0127, 1590, 2008, 2015, 2021, 2022, 2025, 2060, 2062, 2116, 2119, 2120, 2415.	276	271716	Washer-Sealing ----- Note ----- 797632 Washer- Sealing Used on Type No(s). 0001, 0002, 0003, 0004, 0006, 0007, 0011, 0012, 0013, 0014, 0016, 0017, 0019, 0020, 0023, 0024, 0026, 0027, 0028, 0031, 0032, 0033, 0034, 0036, 0037, 0038, 0064, 0065, 0066, 0067, 0068, 0070, 0071, 0123, 0124, 0129, 0130, 0131, 0132, 0133, 0134, 0135, 0136, 0137, 0138, 0141, 0986, 2005, 2030, 2063, 2064, 3120. 797632 Washer- Sealing (Used After Code Date 11063000) Used on Type No(s). 0111, 0127, 1590, 2008, 2015, 2021, 2022, 2025, 2060, 2062, 2116, 2119, 2120, 2415.
216A	798944	Link-Choke ----- Note ----- 798944 Link-Choke (Used After Code Date 11063000) Used on Type No(s). 0111, 0127, 1590, 2008, 2015, 2021, 2022, 2025, 2060, 2062, 2116, 2119, 2120, 2415.	222	796482	Bracket-Control (Manual Friction, Remote, & Fixed Speed Control)			
			227	796487	Lever-Governor Control			
			236	691826	Link-Lockout			
			238	691300	Cap-Valve			
			240A	691035	Filter-Fuel Used on Type No(s). 0001, 0006, 0023, 0024, 0026, 0027, 0127, 0130.			
217	798900	Spring-Choke Return ----- Note ----- 799179 Spring-Choke Return Used on Type No(s). 0001, 0002, 0003, 0004, 0006, 0007, 0011, 0012, 0013, 0014, 0016, 0017, 0019, 0020, 0023, 0024, 0026, 0027, 0028, 0031, 0032, 0033, 0034, 0036, 0037, 0038, 0064, 0065, 0066, 0067, 0068, 0070, 0071, 0123, 0124, 0129, 0130, 0131, 0132, 0133, 0134, 0135, 0136, 0137, 0138, 0141, 0986, 2005, 2030, 2063, 2064, 3120.	258	794451	Screw (Control Guard)			271716 Washer- Sealing (Used Before Code Date 11070100) Used on Type No(s). 0111, 0127, 1590, 2008, 2015, 2021, 2022, 2025, 2060, 2062, 2116, 2119, 2120, 2415.
			265	690798	Clamp-Casing			
			267	691044	Screw (Casing Clamp)			
			268	691025	Casing-Control Wire (Cut To Required Length)			
			269	691026	Wire-Control (Cut To Required Length)			
			270	691027	Nut (Control Wire Casing)	291	796486	Thermostat Used on Type No(s). 0005, 0008, 0009, 0015, 0021, 0022, 0025, 0030, 0060, 0062, 0063, 0110, 0112, 0114, 0115, 0116, 0117, 0118, 0119, 0120, 0732, 1415.
			271	691028	Lever-Control			

Illustrations cover a range of engines. Parts shown without corresponding text may not be used on your specific engine.
10055-18 Assemblies include all parts shown in frames. 10/08/2015

REF. NO.	PART NO.	DESCRIPTION	REF. NO.	PART NO.	DESCRIPTION	REF. NO.	PART NO.	DESCRIPTION
291A	798938	Thermostat			798945 Housing-Blower			799475 Housing-Blower
300	796495	Muffler			(Electric Start)			(Electric Start)
300A	798940	Muffler			(Required for use with replacement Starter Motor Ref# 309 799241)			(Used After Code Date 11063000 and Before Code Date 12031900)
		Used on Type No(s). 0002, 0003, 0004, 0007, 0010, 0011, 0012, 0013, 0014, 0016, 0017, 0019, 0020, 0028, 0031, 0032, 0033, 0034, 0035, 0036, 0037, 0038, 0064, 0065, 0066, 0067, 0068, 0070, 0071, 0111, 0123, 0124, 0127, 0128, 0129, 0130, 0131, 0132, 0133, 0134, 0135, 0136, 0137, 0138, 0140, 0141, 0165, 0986, 1590, 2005, 2008, 2015, 2021, 2022, 2025, 2030, 2060, 2062, 2063, 2064, 2116, 2119, 2120, 2139, 2415, 3120.	304A	798333	Housing- Blower			Used on Type No(s). 0060, 0062, 0063, 0114, 0119, 0732.
					(Electric Start)			Used on Type No(s). 2415.
					Used on Type No(s). 0009, 0116, 1415.			799249 Housing-Blower
					----- Note -----			(Electric Start)
					799249 Housing-Blower			(Used Before Code Date 11070100)
					(Electric Start)			Used on Type No(s). 2415.
					Used on Type No(s). 0065, 0134, 0141, 2116.			799647 Housing-Blower
						304B	594362	Blower
					799249 Housing-Blower			(Instart) (Yellow)
					(Electric Start)			----- Note -----
					(Required for use with replacement Starter Motor Ref# 309 799241)			595146 Housing-Blower
					Used on Type No(s). 0116, 1415.			(Instart) (Black)
300B	592552	Muffler			591170 Housing-Blower			Used on Type No(s). 0017, 0066, 0067, 0068.
		Used on Type No(s). 0001, 0006, 0023, 0024, 0026, 0027.			(Electric Start)			309
					Used on Type No(s). 0012, 0014, 0019, 0020, 0986.			799241
304	796692	Housing-Blower			591170 Housing-Blower			Motor-Starter
		(Rewind Start)			(Electric Start)			----- Note -----
		----- Note -----			(Used After Code Date 12031800)			799241 Motor-Starter
		796693 Housing-Blower			Used on Type No(s). 2415.			(Requires Blower Housing Ref# 304 798945 and Flywheel Guard Ref# 37B 799242)
		(Electric Start)						Used on Type No(s). 0060, 0062, 0063, 0114, 0119, 0732, 1415.
		Used on Type No(s). 0060, 0062, 0063, 0114, 0119, 0732.						799241 Motor-Starter
		798945 Housing-Blower						(Requires Blower Housing Ref# 304A 799249 and Flywheel Guard Ref# 37B 799242)
		(Electric Start)						Used on Type No(s). 0116.
		Used on Type No(s). 0006, 0013, 0024, 0027, 0031, 0038, 0064, 0071, 0127, 0128, 0131, 0133, 0137, 0138, 0140, 1590, 2060, 2062, 2063, 2064, 2119, 2120, 3120.						594360 Motor-Starter
								Used on Type No(s). 0034, 0036, 0071.
								332
								690662
								Nut
								(Flywheel)
								333
								796499
								Armature-Magneto
								(90 Degree Ignition Terminal)
								----- Note -----

Illustrations cover a range of engines. Parts shown without corresponding text may not be used on your specific engine.
10055-19 Assemblies include all parts shown in frames. 10/08/2015

121S00

REF. NO.	PART NO.	DESCRIPTION	REF. NO.	PART NO.	DESCRIPTION	REF. NO.	PART NO.	DESCRIPTION
		796500 Armature-Magneto (90 Degree Ignition Terminal) Used on Type No(s). 0001, 0002, 0003, 0004, 0005, 0006, 0007, 0008, 0009, 0010, 0011, 0012, 0013, 0014, 0016, 0019, 0020, 0022, 0023, 0024, 0026, 0027, 0031, 0032, 0033, 0035, 0036, 0037, 0038, 0064, 0071, 0112, 0115, 0117, 0118, 0120, 0123, 0124, 0127, 0128, 0129, 0130, 0140, 0165, 0986, 1415, 2005, 2008, 2022, 2064, 2139, 2415.	347B	593323	Switch-Rocker Used on Type No(s). 0013.	356K	593325	Wire-Stop
			356	692390	Wire-Stop ----- Note ----- 796798 Wire-Stop Used on Type No(s). 0015, 0021, 0025, 0030, 0060, 0062, 0063, 0128, 0165, 2015, 2021, 2025, 2030, 2060, 2062, 2063.	358	592173	Gasket Set-Engine
			356B	692602	Wire-Stop Used on Type No(s). 0008, 0022, 0112, 0115, 0117, 0118, 0120, 2008, 2022.	362	799646	Shield-Spark Plug
			356C	695630	Wire-Stop Used on Type No(s). 0008, 0022, 0112, 0115, 0117, 0118, 0120, 2008, 2022.	363	19069	Puller-Flywheel
			356F	798332	Wire-Stop Used on Type No(s). 0009, 0014, 0064, 1415, 2064, 2415. ----- Note ----- 593324 Wire-Stop Used on Type No(s). 0001, 0006, 0013, 0023, 0024, 0026, 0027, 0127, 0130.	365	793458	Screw (Carburetor) ----- Note ----- 699484 Screw (Carburetor) Used on Type No(s). 0002, 0003, 0004, 0011, 0013, 0031, 0032, 0033, 0036, 0064, 0071, 0123, 0124, 2064.
333A	592335	Armature-Magneto (EMC Compliant) (180 Degree Ignition Terminal) Used on Type No(s). 0017, 0065, 0066, 0116, 0131, 0132, 0133, 0134, 0135, 0138, 0141, 1590, 2116.	356G	798942	Wire-Stop Used on Type No(s). 0002, 0003, 0004, 0011, 0031, 0032, 0033, 0036, 0071, 0123, 0124.	383	19576s	Wrench-Spark Plug
334	793454	Screw (Magneto Armature)	356H	798943	Wire-Stop Used on Type No(s). 0002, 0003, 0004, 0011, 0031, 0032, 0033, 0036, 0071, 0123, 0124.	404	690272	Washer (Governor Crank)
337	692051	Plug-Spark (Resistor) ----- Note ----- 692720 Plug-Spark (EMS) 594264 Plug-Spark (Resistor) Used on Type No(s). 0011, 0013, 0031, 0033, 0071.	356J	592156	Wire-Stop Used on Type No(s). 0012, 0019, 0020, 0986.	423	798322	Stud (Control Guard)
347	795333	Switch-Rocker Used on Type No(s). 0008, 0022, 0112, 0115, 0117, 0118, 0120, 2008, 2022.				445	795066	Filter-Air Cleaner Cartridge
347A	592694	Switch-Rocker Used on Type No(s). 0002, 0003, 0004, 0011, 0031, 0032, 0033, 0036, 0071, 0123, 0124.				455	796615	Cup-Flywheel ----- Note ----- 591400 Cup-Flywheel (Used After Code Date 12031800) Used on Type No(s). 0014, 2415. 591867 Cup-Flywheel (Used After Code Date 11063000 and Before Code Date 12031900) Used on Type No(s). 2415. 796615 Cup-Flywheel (Used Before Code Date 11070100) Used on Type No(s). 2415.
						474	794103	Alternator
						497	691044	Screw (Stopswitch Bracket) Used on Type No(s). 0008, 0022, 0112, 0115, 0117, 0118, 0120, 2008, 2022.
						505	793515	Nut (Governor Control Lever)

Illustrations cover a range of engines. Parts shown without corresponding text may not be used on your specific engine.
10055-20 Assemblies include all parts shown in frames. 10/08/2015

REF. NO.	PART NO.	DESCRIPTION	REF. NO.	PART NO.	DESCRIPTION	REF. NO.	PART NO.	DESCRIPTION
523	796503	Dipstick	604A	593588	Cover-Control Used on Type No(s). 0031.	830	796472	Stud-Rocker Arm
524	692296	Seal-Dipstick Tube				832	796494	Guard-Muffler Used on Type No(s). 0008, 0009, 0030, 0063, 0110, 0112, 0114, 0115, 0116, 0117, 0118, 0119, 0120, 1415, 2114.
525	796502	Tube-Dipstick	608	796497	Starter-Rewind ----- Note ----- 799679 Starter- Rewind Used on Type No(s). 0111.	832A	593411	Guard-Muffler
535	797301	Filter-Air Cleaner Foam	613	796496	Screw (Muffler) ----- Note ----- 799260 Screw (Muffler) Used on Type No(s). 0001, 0006, 0023, 0024, 0026, 0027.	832B	799262	Guard-Muffler Used on Type No(s). 0001, 0006, 0023, 0024, 0026, 0027.
536	799025	Cleaner-Air	615	690340	Retainer-Governor Shaft	836	793500	Screw (Muffler Guard)
562	793514	Bolt (Governor-Control Lever)	616	798327	Crank-Governor	837	797735	Spacer-Muffler Used on Type No(s). 0010, 0035, 0128, 0140, 0165, 2139. ----- Note ----- 799261 Spacer- Muffler Used on Type No(s). 0001, 0006, 0023, 0024, 0026, 0027.
564	690351	Screw (Control Cover) Used on Type No(s). 0002, 0003, 0004, 0011, 0013, 0031, 0032, 0033, 0036, 0064, 0071, 0123, 0124, 2064.	621	692310	Switch-Stop	842	691031	Seal-O Ring (Dipstick Tube)
564A	799026	Screw (Control Cover) Used on Type No(s). 0002, 0003, 0004, 0011, 0013, 0031, 0032, 0033, 0036, 0064, 0071, 0123, 0124, 2064.	623	793628	Seal-O Ring (Carburetor Spacer)	843	691884	Sleeve-Lever
575	593587	Switch-Starting Used on Type No(s). 0031, 0036, 0071.	627	796702	Bracket-Stops witch Used on Type No(s). 0008, 0022, 0112, 0115, 0117, 0118, 0120, 2008, 2022.	847	796501	Dipstick/Tube Assembly
578	593322	Wire Assembly	635	66538S	Boot-Spark Plug	851	493880s	Terminal-Spark Plug
578A	594367	Wire Assembly (Instart)	660	798323	Guard-Control	851A	692424	Terminal-Spark Plug
578B	594368	Wire Assembly (Instart)	660A	593287	Guard-Control	853	696842	Adapter-Wire
578C	595147	Wire Assembly (Instart)	668A	797383	Spacer	853A	695897	Adapter-Wire
578D	595149	Wire Assembly (Instart) Used on Type No(s). 0036, 0037.	670	793485	Spacer-Fuel Tank	868	795440	Seal-Valve
598	592587	Shim-End Play (Crankshaft or Camshaft Bearing)	676	692010	Deflector-Muffler	875	796492	Base-Air Cleaner
601	791850	Clamp-Hose	676A	799187	Deflector-Muffler	883	793497	Gasket-Exhaust
604	799024	Cover-Control Used on Type No(s). 0002, 0003, 0004, 0011, 0032, 0033, 0064, 0123, 0124, 2064. ----- Note ----- 593321 Cover-Control Used on Type No(s). 0013. 595148 Cover-Control Used on Type No(s). 0036, 0071.	677	690661	Screw (Muffler Deflector)	883A	796677	Gasket-Exhaust
			697	691127	Screw (Starter Motor) (Drive Cap)	886	799492	Gasket Kit-Cylinder Head/Plate
			718	690959	Pin-Locating	910	796498	Stud (Alternator)
			737	692511	Screw (Oil Filter Adapter)	914	794451	Screw (Rocker Cover)
			741	797521	Gear-Timing	921	799692	Cover-Blower Housing
			742	93941	Retainer-E Ring	921A	799648	Cover-Blower Housing
			745	793491	Screw (Brake)	922	692135	Spring-Brake
			750	691147	Screw (Oil Pump Cover)	923	796635	Brake
			789	792685	Harness-Wiring	925	796531	Cover-Linkage
			789A	696546	Harness-Wiring			
			789B	593589	Harness-Wiring			
			791	593561	Charger-Battery (Instart)			

Illustrations cover a range of engines. Parts shown without corresponding text may not be used on your specific engine.
10055-21 Assemblies include all parts shown in frames. 10/08/2015

121S00

REF. NO.	PART NO.	DESCRIPTION	REF. NO.	PART NO.	DESCRIPTION	REF. NO.	PART NO.	DESCRIPTION
937	799420	Spline-Starter (Used Before Code Date 12112600) Used on Type No(s). 0006, 0064, 0127, 0128, 0131, 0133, 0134, 0137, 0138, 0140, 0141, 0986, 1590, 2060, 2062, 2063, 2064, 2116, 2119, 2120, 2415, 3120.	975	796611	Bowl-Float ----- Note ----- 797631 Bowl-Float Used on Type No(s). 0001, 0002, 0003, 0004, 0006, 0007, 0011, 0012, 0013, 0014, 0016, 0017, 0019, 0020, 0023, 0024, 0026, 0027, 0028, 0031, 0032, 0033, 0034, 0036, 0037, 0038, 0064, 0065, 0066, 0067, 0068, 0070, 0071, 0123, 0124, 0129, 0130, 0131, 0132, 0133, 0134, 0135, 0136, 0137, 0138, 0141, 0986, 2005, 2030, 2063, 2064, 3120. 797631 Bowl-Float (Used After Code Date 11063000) Used on Type No(s). 0111, 0127, 1590, 2008, 2015, 2021, 2022, 2025, 2060, 2062, 2116, 2119, 2120, 2415.	1005	796614	Fan-Flywheel ----- Note ----- 799265 Fan-Flywheel Used on Type No(s). 0012, 0014, 0986, 2415.
943	692514	Seal-O Ring (Oil Pump Cover)				1006	799264	Retainer-Fan
949	799474	Guard-Debris Screen				1022	796480	Gasket-Rocker Cover
957	799585	Cap-Fuel Tank				1023	796479	Cover-Rocker
957C	796577	Cap-Fuel Tank				1024	692508	Pump-Oil
958	698183	Valve-Fuel Shut Off				1026	796481	Rod-Push
965	692507	Cover-Oil Pump				1027	795990	Filter-Oil ----- Note ----- 798319 Filter-Oil Used on Type No(s). 0131, 0137, 0138, 2119, 2120, 3120.
967	796254	Filter-Pre Cleaner				1028	796522	Adapter-Oil Filter
968	796493	Cover-Air Cleaner				1029	691230	Arm-Rocker
969	690700	Screw (Blower Housing Cover) Used on Type No(s). 0067, 0068, 0116, 0134, 0141, 2116.				1034	691343	Guide-Push Rod
971	690349	Screw (Air Cleaner Base to Carburetor/Throttle Body)				1036		Label-Emissions (Available From A Briggs & Stratton Authorized Dealer)
971A	798294	Screw (Air Cleaner Base to Carburetor/Throttle Body) Used on Type No(s). 0002, 0003, 0004, 0011, 0013, 0031, 0032, 0033, 0036, 0064, 0071, 0123, 0124, 2064.				1055	796524	Tube-Oil Pump
972	590949	Tank-Fuel ----- Note ----- 595123 Tank-Fuel Used on Type No(s). 0001, 0006, 0023, 0024, 0026, 0027, 0127, 0130.	988	692515	Gasket-Oil Adapter	1059	793471	Kit-Screw/Washer
			993	796473	Gasket-Cylinder Head Plate	1095	592174	Gasket Set-Valve
			994	690813	Arrestor-Spark	1119	794100	Screw (Alternator)
			994A	593483	Arrestor-Spark Used on Type No(s). 0011, 0031, 0032.			

Illustrations cover a range of engines. Parts shown without corresponding text may not be used on your specific engine.
10055-22 Assemblies include all parts shown in frames. 10/08/2015

REF. NO.	PART NO.	DESCRIPTION	REF. NO.	PART NO.	DESCRIPTION	REF. NO.	PART NO.	DESCRIPTION
1212	796537	Stud (Blower Housing) ----- Note ----- 591164 Stud (Blower Housing) Used on Type No(s). 0012, 0014, 0019, 0986. 591164 Stud (Blower Housing) (Used After Code Date 12031800) Used on Type No(s). 2415. 799269 Stud (Blower Housing) (Used After Code Date 11063000 and Before Code Date 12031900) Used on Type No(s). 2415. 796537 Stud (Blower Housing) (Used Before Code Date 11070100) Used on Type No(s). 2415.	1212B	797002	Stud (Blower Housing) (Used With Alternator Only) ----- Note ----- 591166 Stud (Blower Housing) (Used With Alternator Only) Used on Type No(s). 0012, 0014, 0019, 0020, 0986. 591166 Stud (Blower Housing) (Used With Alternator Only) (Used After Code Date 12031800) Used on Type No(s). 2415. <hr/> 799263 Stud (Blower Housing) (Used With Alternator Only) (Used After Code Date 11063000 and Before Code Date 12031900) Used on Type No(s). 2415.	1263	697124	Reed-Breather
						1264	793453	Screw (Breather Reed)
						1319	794467	Label-Warning
						1319A	797669	Label-Warning
						1330	279000	Repair Manual
						1335	793481	Nut (Blower Housing)
						1375	796476	Cover-Breather Reed
						1376	794451	Screw (Breather Reed Cover)
						1511	593559	Battery (Instart)
						1512	594366	Screen (Instart)
1212A	793479	Stud (Blower Housing) ----- Note ----- 591165 Stud (Blower Housing) Used on Type No(s). 0012, 0014, 0019, 0986. 591165 Stud (Blower Housing) (Used After Code Date 12031800) Used on Type No(s). 2415. 799268 Stud (Blower Housing) (Used After Code Date 11063000 and Before Code Date 12031900) Used on Type No(s). 2415. 793479 Stud (Blower Housing) (Used Before Code Date 11070100) Used on Type No(s). 2415.			797002 Stud (Blower Housing) (Used With Alternator Only) (Used Before Code Date 11070100) Used on Type No(s). 2415.			

Not for
Reproduction

