



RG

SOLID SHAFT PUMP



Commercial

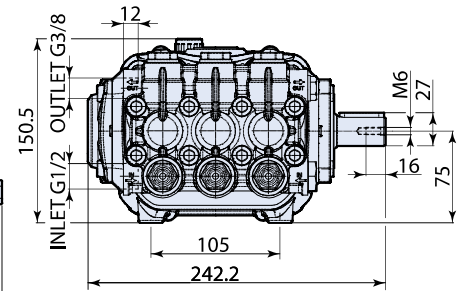
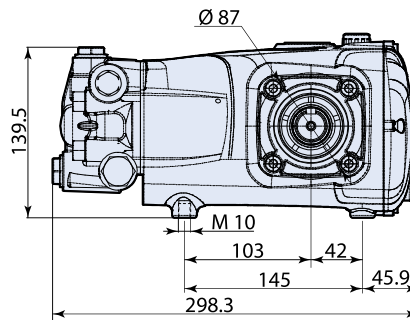
140° F - Max Water Temp
 1/2" F - Inlet Thread
 3/8" F - Discharge Thread
 32 oz - Oil Capacity



● nickel plated brass head



○ aluminum connecting rods



N version

MOD	MAX	MAX		NET	BORE DIA	STROKE	CRANKSHAFT ID STAMP	LIST PRICE			
	l/min	gpm	bar	psi	ebhp	rpm	lbs	mm	mm		\$

RG 1450rpm N version 24 x 40mm Solid Shaft

RG1528HN	● ○	15	4	280	4000	11.0	1450	27.5	18	14.6	3	\$998.36
RG2125HN	○ ○	21	5.5	250	3600	13.6	1450	27.5	18	19.8	1	\$998.36
RG2125HN-SX	● ○	21	5.5	250	3600	13.6	1450	27.5	18	19.8	1	\$998.36

SX - 180° Rotated Shaft Configuration

SPECIAL PARTS / KITS

MOD	DESCRIPTION	LIST PRICE
AR2748	Rail Kit 1-1/4" (2 rails & 4 bolts)	\$26.67
AR2748H	Rail Kit 2-1/2" (2 rails & 4 bolts)	\$74.62
AR64516	Oil (16 oz)	\$15.80
AR43619	Piston Ø 20	\$90.08
AR43620	Water Seal Ø 20	\$90.87
AR43621	Piston Guide Ø 20	\$77.92

REPAIR KITS

MOD	DESCRIPTION	QTY	LIST PRICE
AR2864	Valves	6	\$72.86
AR2548	Pistons Ø 18	3	\$261.53
AR46848	Water Seals Ø 18	3	\$38.28
AR47083	Oil Seals	4	\$36.03
AR42172	Piston Guides Ø 18	3	229.20
AR2780	Valves Ø 22	6	156.20
AR2543	Piston Ø 22	3	\$302.18
AR2783	Water Seal Ø 22	3	\$165.54
AR2785	Piston Guide Ø 22	3	\$142.78