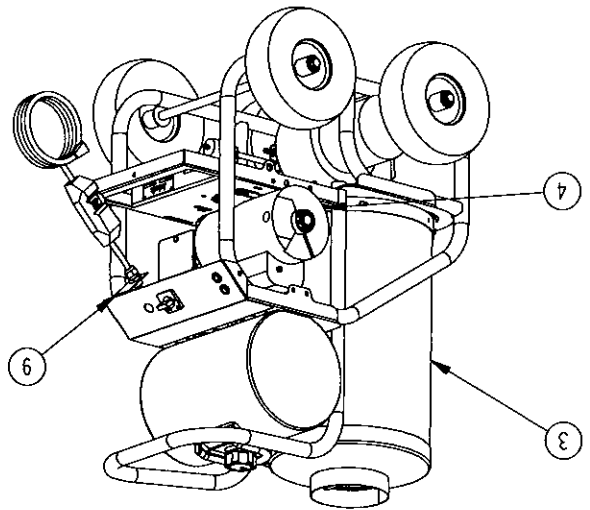
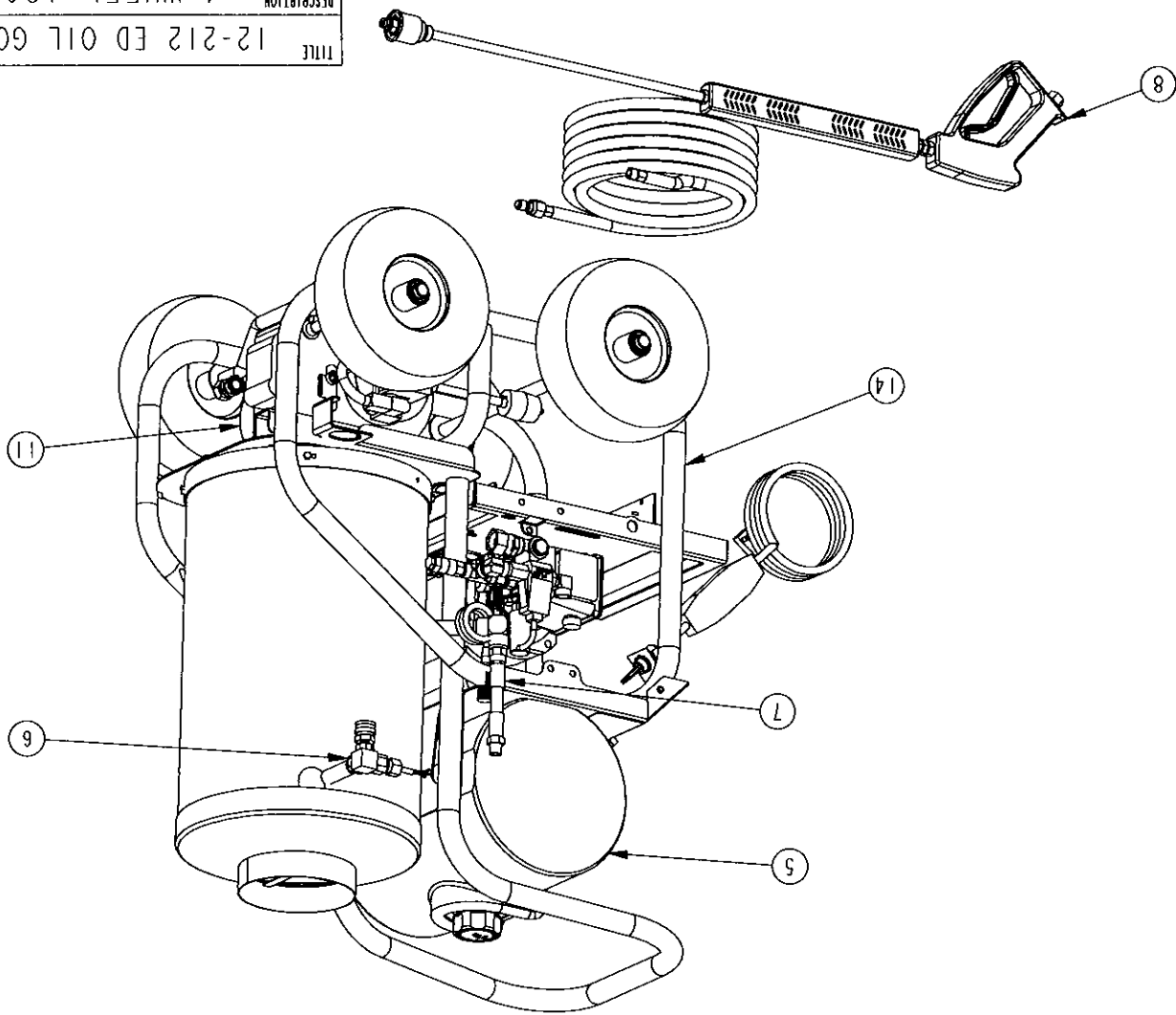


TITLE	12-212 ED OIL GC AR PUMP
DESCRIPTION	4-WHEEL 120V 1PH
DATE	25-Mar-09
DWG#	A01-4023-1

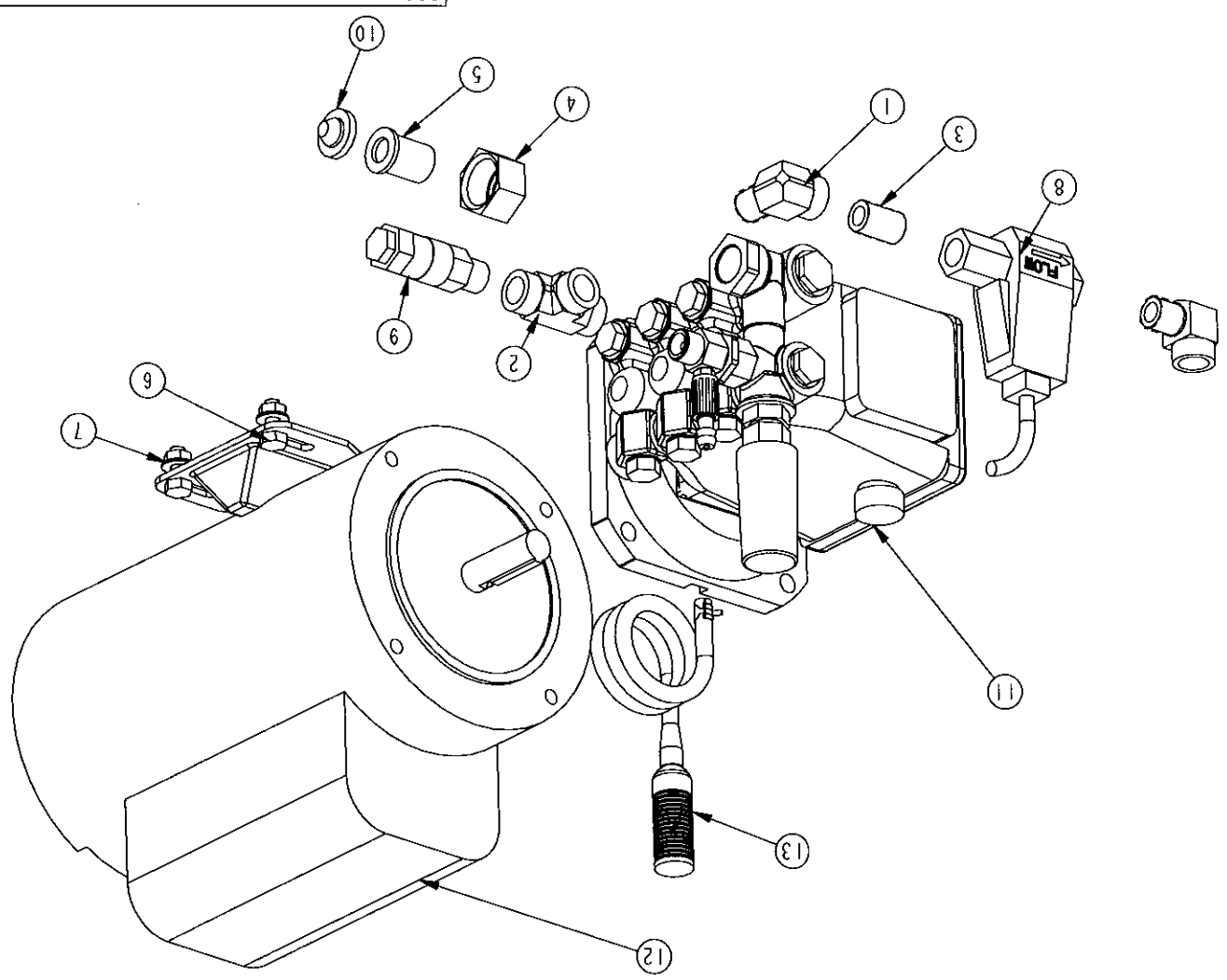


NOTE: SOME ITEMS NOT SHOWN FOR CLARITY

ITEM QTY	PART DESCRIPTION	PART \ DRW#
1	POP RIVET	02-522200
2	SPECIFICATIONS TAG	26-101003
3	HEAT CHAMBER ASS'Y	B01-6224
4	MOTOR/ PUMP ASSEMBLY	C01-4006-2
5	FUEL TANK ASS'Y	E01-4001-1
6	COIL OUTLET ASS'Y	E01-4007
7	COIL INLET ASS'Y	E01-4008-1
8	GUN & HOSE ASS'Y	E01-6001
9	PANEL ASSEMBLY	F01-6201
10	WIRING DIAGRAM	F01-6202
11	BURNER ASS'Y	G01-4001
12	DECAL ASS'Y	I01-6200-1
13	PACKAGING ASSEMBLY	J01-4000
14	MACHINE SUB-ASSEMBLY	X01-6200-2

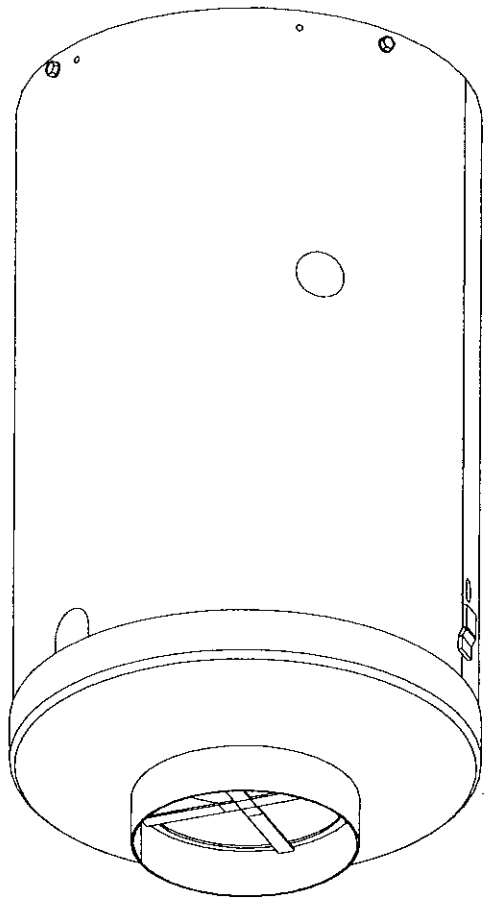
BILL OF MATERIALS

TITLE MOTOR / PUMP ASSEMBLY
 DESCRIPTION 12-212ED (AR)
 DATE 24-Nov-09 DWG# C01-4006-2

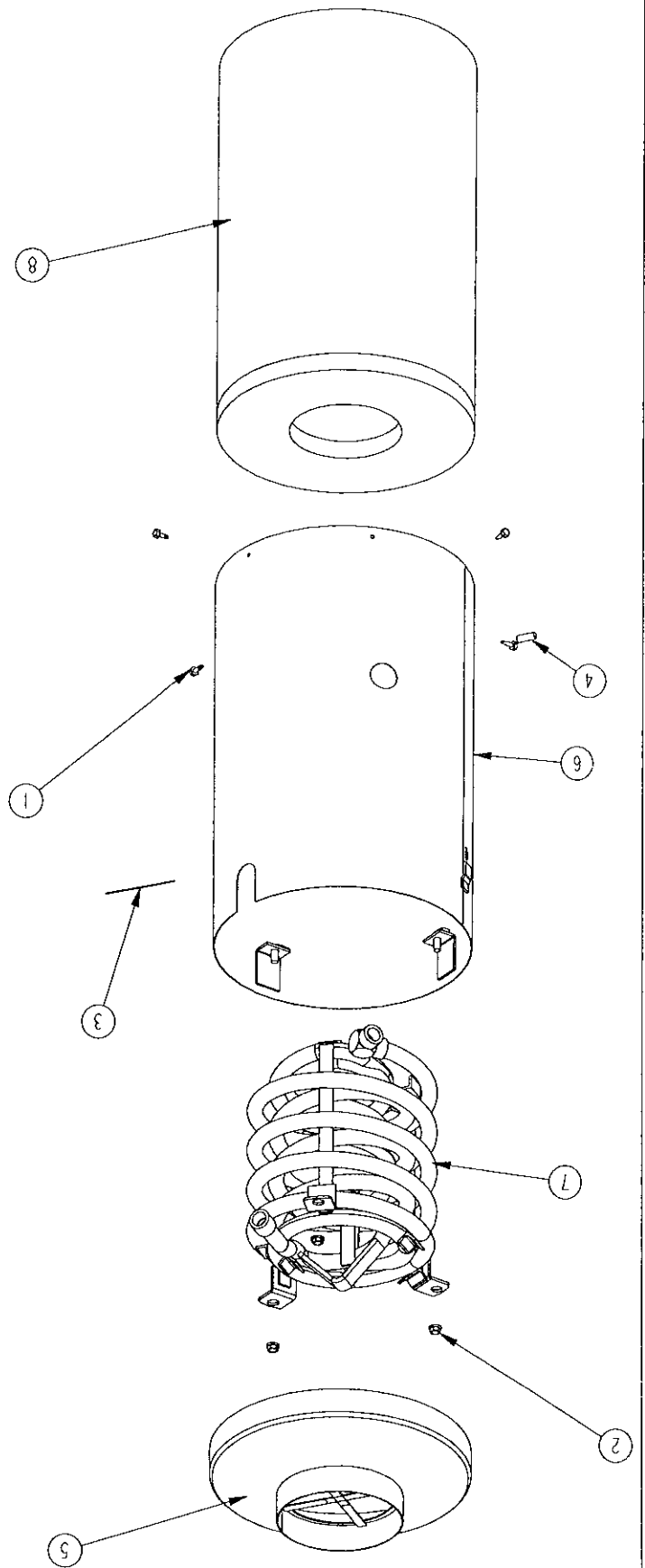


BILL OF MATERIALS		ITEM QTY	PART DESCRIPTION	PART \ DRW#
13	1	84" SOAP HOSE ASSY	E01-0020	
12	1	MOTOR	09-123500	
11	1	PUMP	08-175400	
10	1	SCREEN	05-121501	
9	1	RELIEF VALVE	05-111311	
8	1	FLOW SWITCH	04-101920	
7	4	NUT	02-301200	
6	4	BOLT	02-121100	
5	1	HOSE ADAPTER 1/2"	01-401010	
4	1	NUT	01-401000	
3	1	NIPPLE	01-271004	
2	1	TEE	01-161204	
1	2	ELBOW	01-131204	

TITLE	ECONOMY JR SIDE OUTLET CRS
DESCRIPTION	HEAT CHAMBER ASS'Y
DATE	03-Mar-09
DWG#	B01-6224

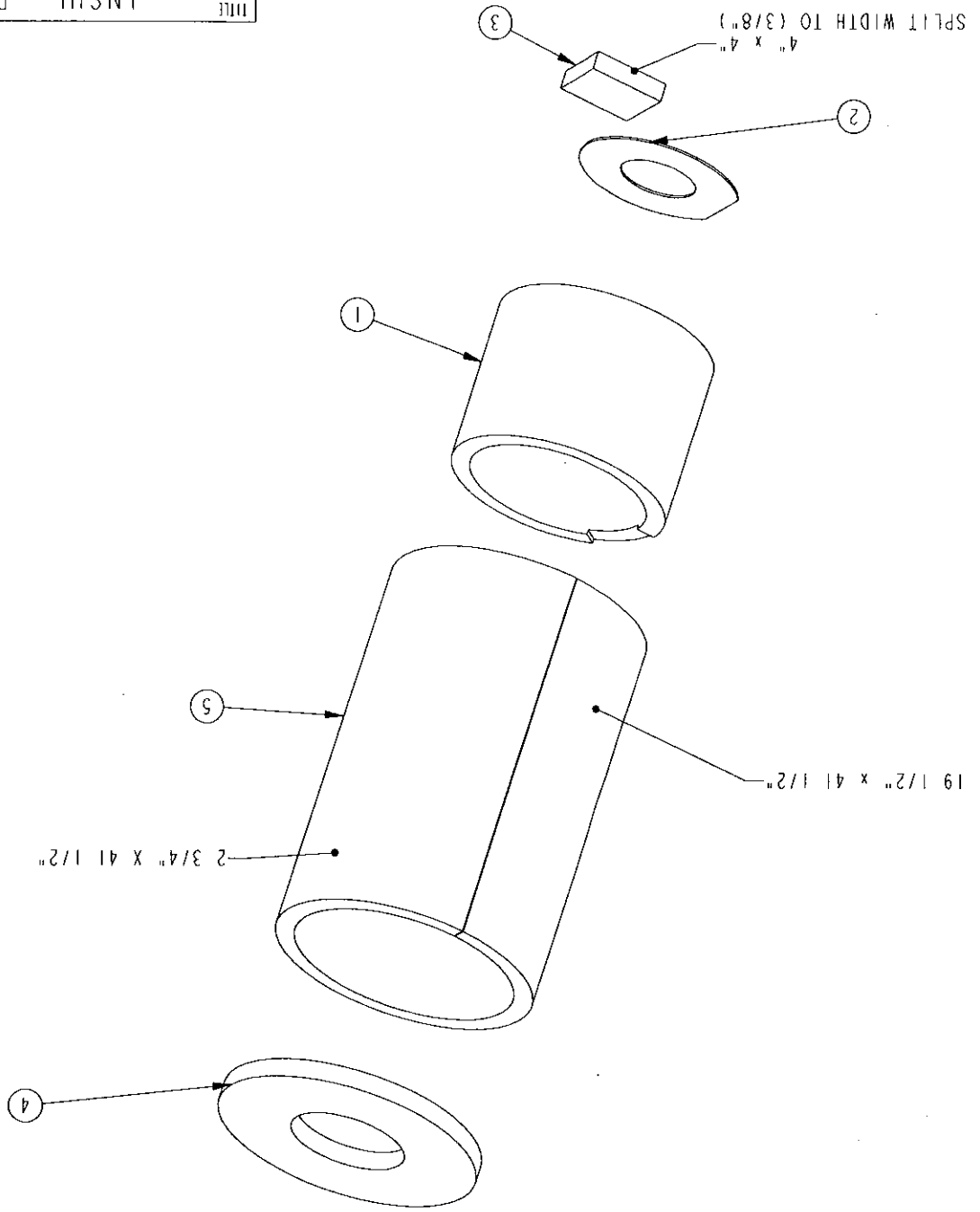


NOTE: WRAP COIL INLET HOLE WITH 4" OF 1/2" FIBERFAX ROPE INSULATION. PUT 4" OF VINYL ON COIL OUTLET HOLE.



BILL OF MATERIALS			
ITEM QTY	PART DESCRIPTION	PART \ DRWH	
1	SCREW	02-101600	
2	NUT	02-301300	
3	VINYL EDGING	1903-4	
4	1/2" FIBERFAX ROPE INSULATION	2005-4	
5	STACK HEAD WELDMENT	B01-1006	
6	WRAPPER WELDMENT	B01-2067	
7	COIL WELDMENT	B01-6223	
8	INSULATION PACKAGE	H01-2003	

DATE	3/3/09	DWG#	H01-2003
DESCRIPTION	INSULATION ASSY		
TITLE	INSUL. PACKAGE		

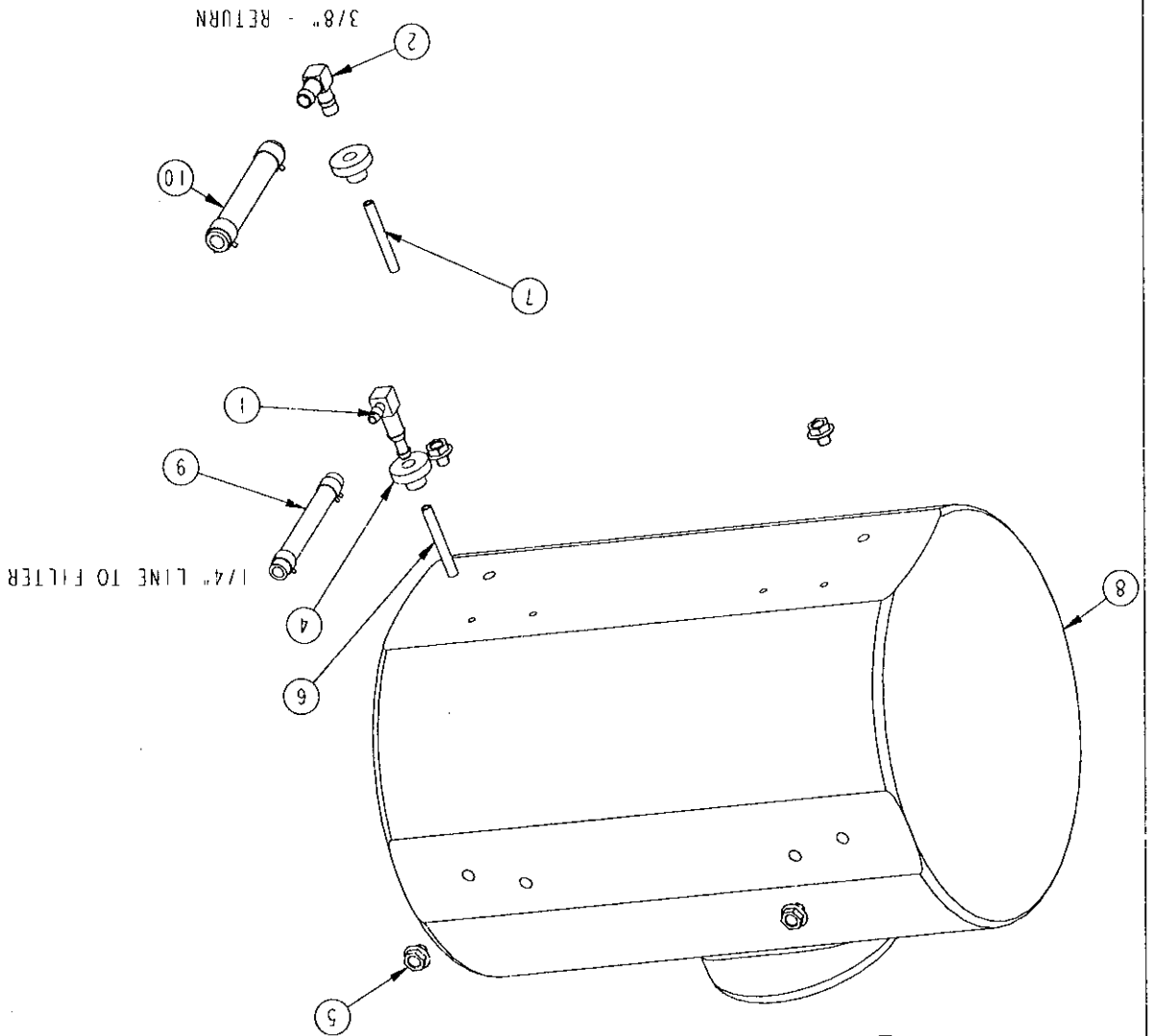


ITEM QTY	PART DESCRIPTION	PART \ DRW#
1	INSULATION BUCKET	2019
2	BURNER GASKET	10-111236-1
3	INSULATION	2001-4-4
4	STACK HEAD RING 14/6	H01-1002
5	BLANKET	H01-1005

BILL OF MATERIALS

DATE	17-Sep-04	DWG#	E01-4001-1
DESCRIPTION	JR - 12-000		
TITLE	FUEL TANK ASS'Y		

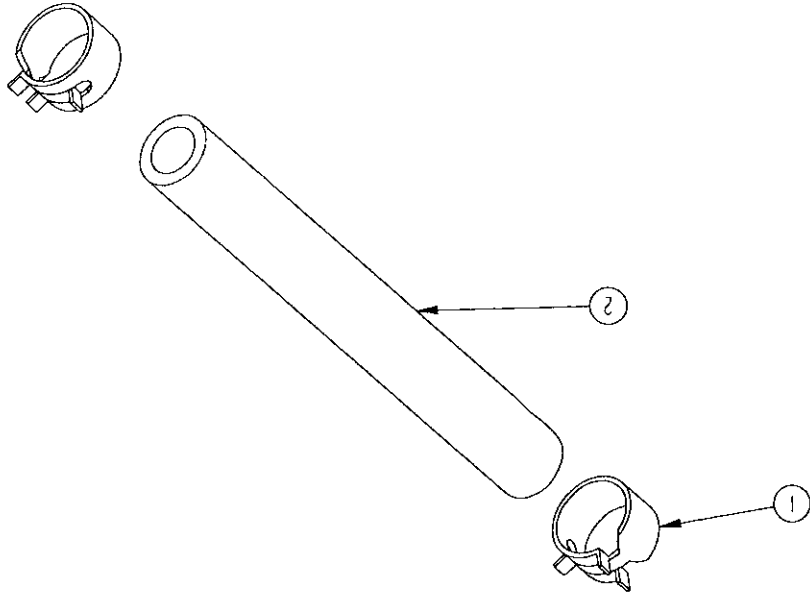
B 8/3/05 BK CHANGED VIEW OF TANK, ITEM #4 WAS ADDED. ITEM #9 & #10 WAS CHG. D.
 A 5/18/05 BK TANK WAS 29-131105



ITEM QTY	PART DESCRIPTION	PART \ DRW#
1	BARB	01-41113
2	FITTING - 90°	01-41118
3	CAP	01-431203
4	GROMMET	01-41112-1
5	BOLT	02-121001
6	TUBING	1051-2
7	TUBING	1051-6
8	FUEL TANK	29-131125
9	25" FUEL LINE ASSY	E01-0335-25
10	34" x 3/8" FUEL LINE	E01-0363-34

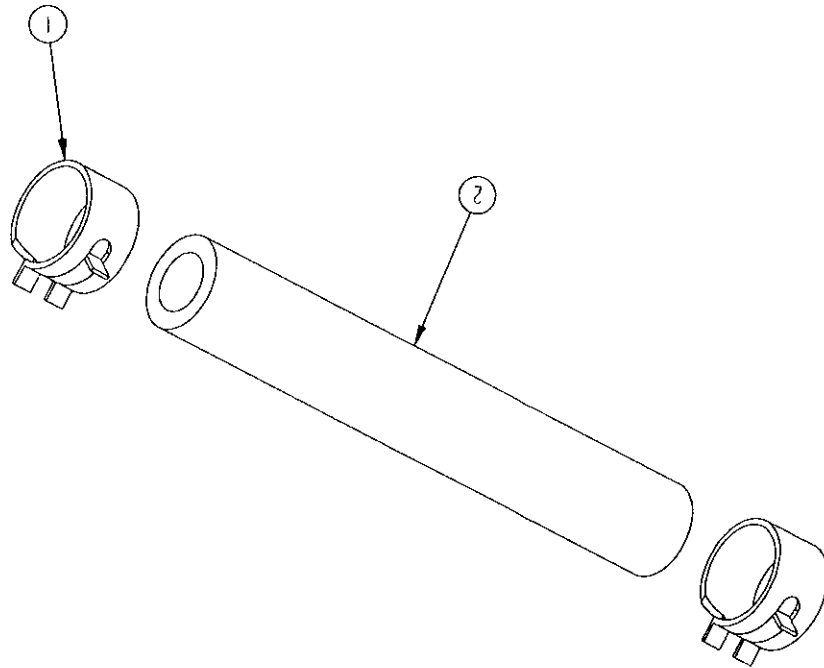
BILL OF MATERIALS

TITLE	FUEL LINE ASS'Y
DESCRIPTION	HOSE ASS'Y
DATE	03-Aug-05
DWG#	E01-0335-25



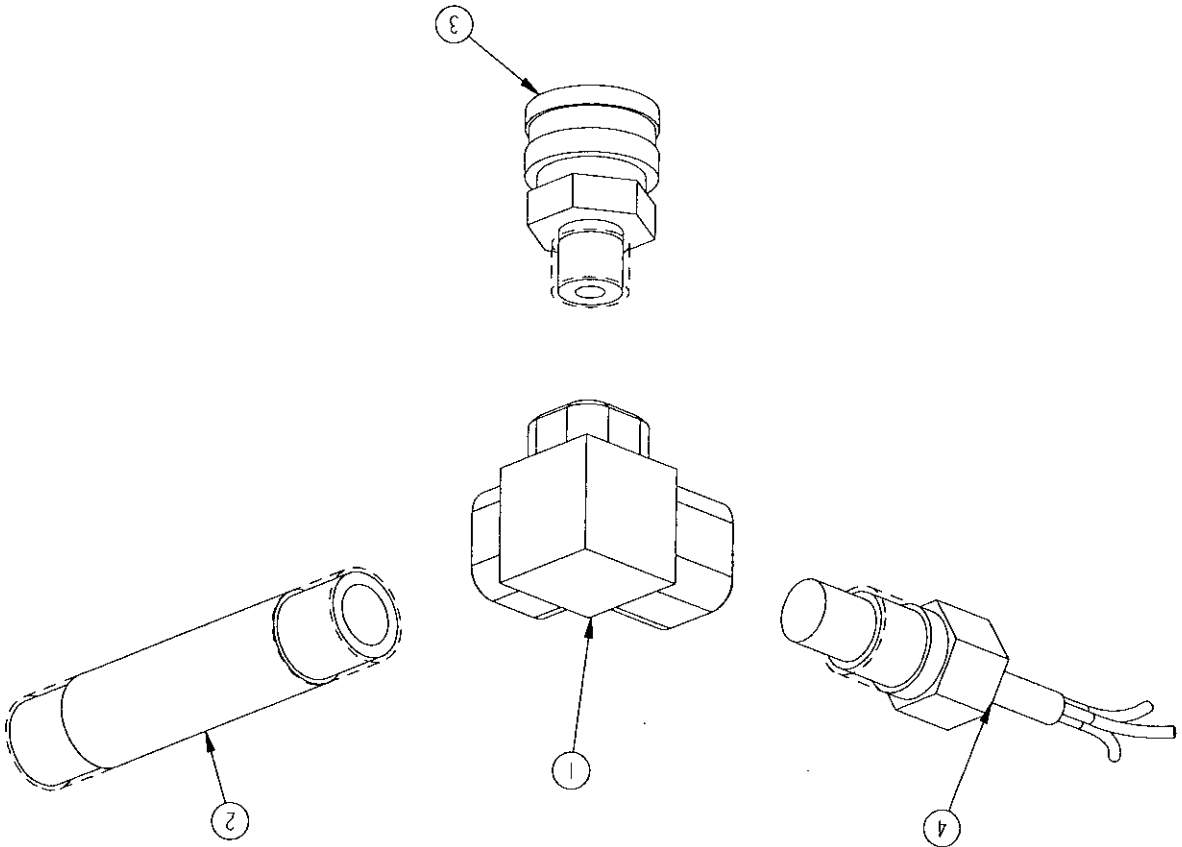
BILL OF MATERIALS			
ITEM QTY	PART DESCRIPTION	PART \ DRW#	
1	UNI CLAMP	01-451020	
2	FUEL LINE	2202-25	

DATE	03-Aug-05	DWG#	E01-0363-34
DESCRIPTION	HOSE ASSY		
TITLE	34" x 3/8" FUEL LINE		



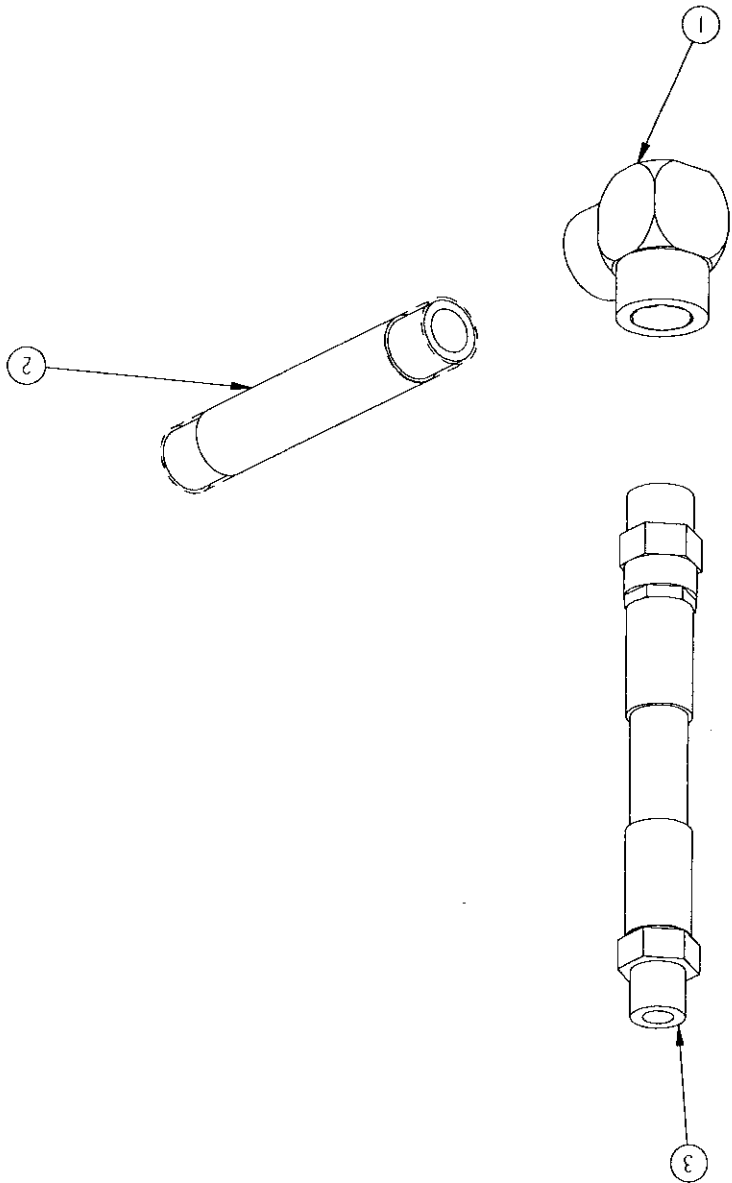
BILL OF MATERIALS			
ITEM QTY	PART DESCRIPTION	PART \ DRW#	
1	2	UNI CLAMP	01-451010
2	1	FUEL LINE	2203-34

TITLE	COIL OUTLET ASS'Y
DESCRIPTION	12-000 ES
DATE	03-Aug-05
DWG#	E01-4007



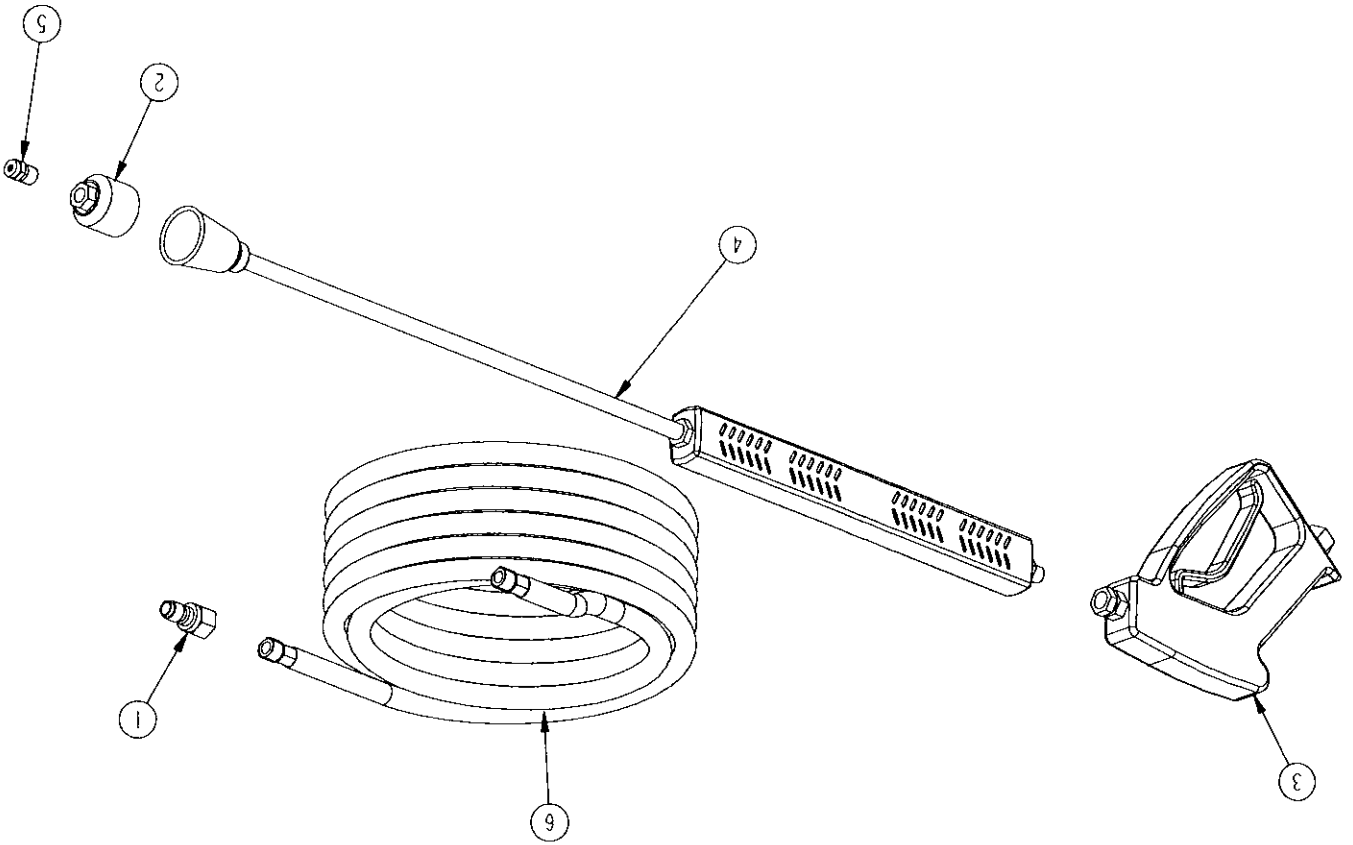
BILL OF MATERIALS			
ITEM QTY	PART DESCRIPTION	PART \ DRW#	
1	ELBOW, 90	01-151304	
2	NIPPLE	01-281604	
3	COUPLER	01-421200	
4	SENSOR	04-101003	

FILE	COIL INLET ASS'Y
DESCRIPTION	A152
DATE	16-Mar-09
DWG#	E01-4008-1



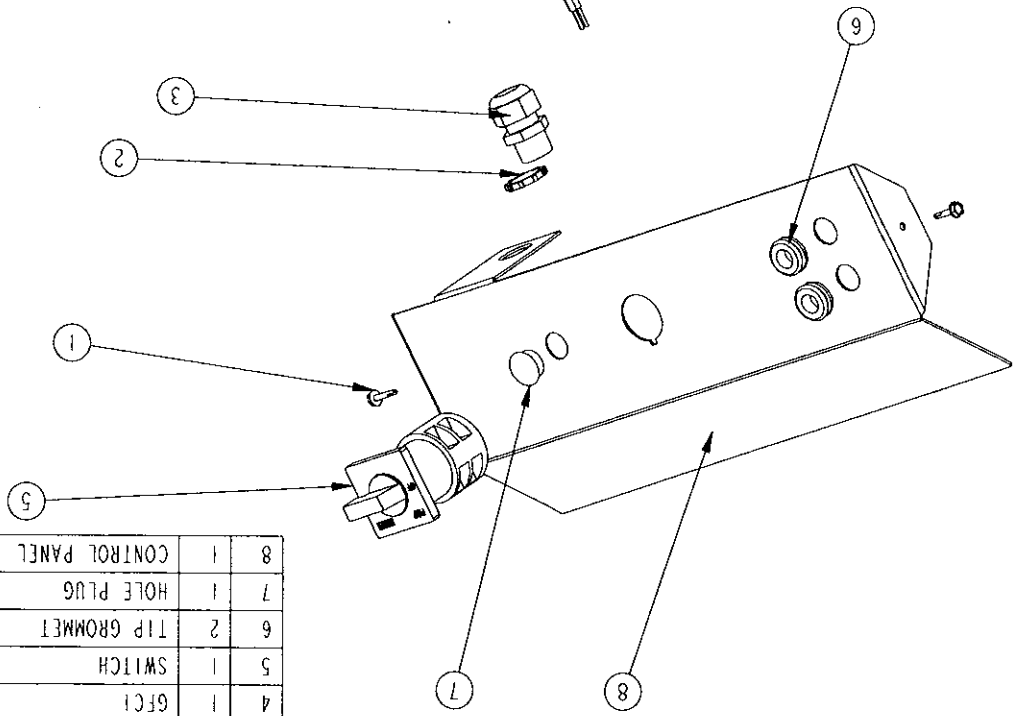
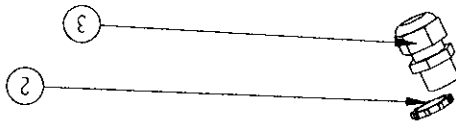
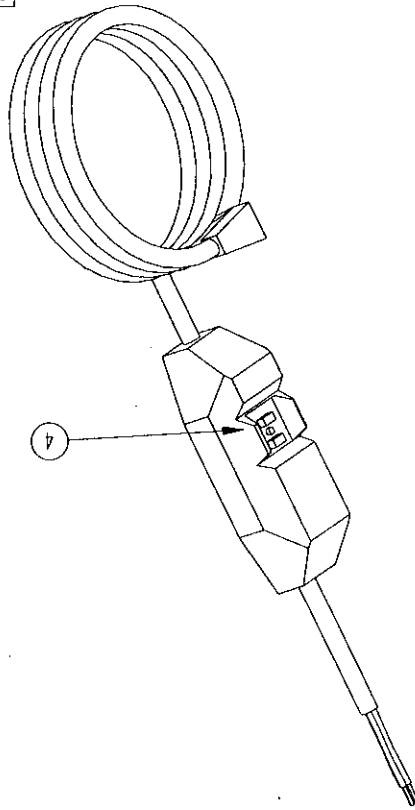
BILL OF MATERIALS			
ITEM QTY	PART DESCRIPTION	PART \ DRW#	
1	ELBOW	01-111304	
2	NIPPLE	01-281804	
3	HOSE	11-111523	

TITLE	GUN/LANCE/HOSE ASSEMBLY
DESCRIPTION	40 FT. HOSE
DATE	06-Sep-05
DWG#	E01-6001



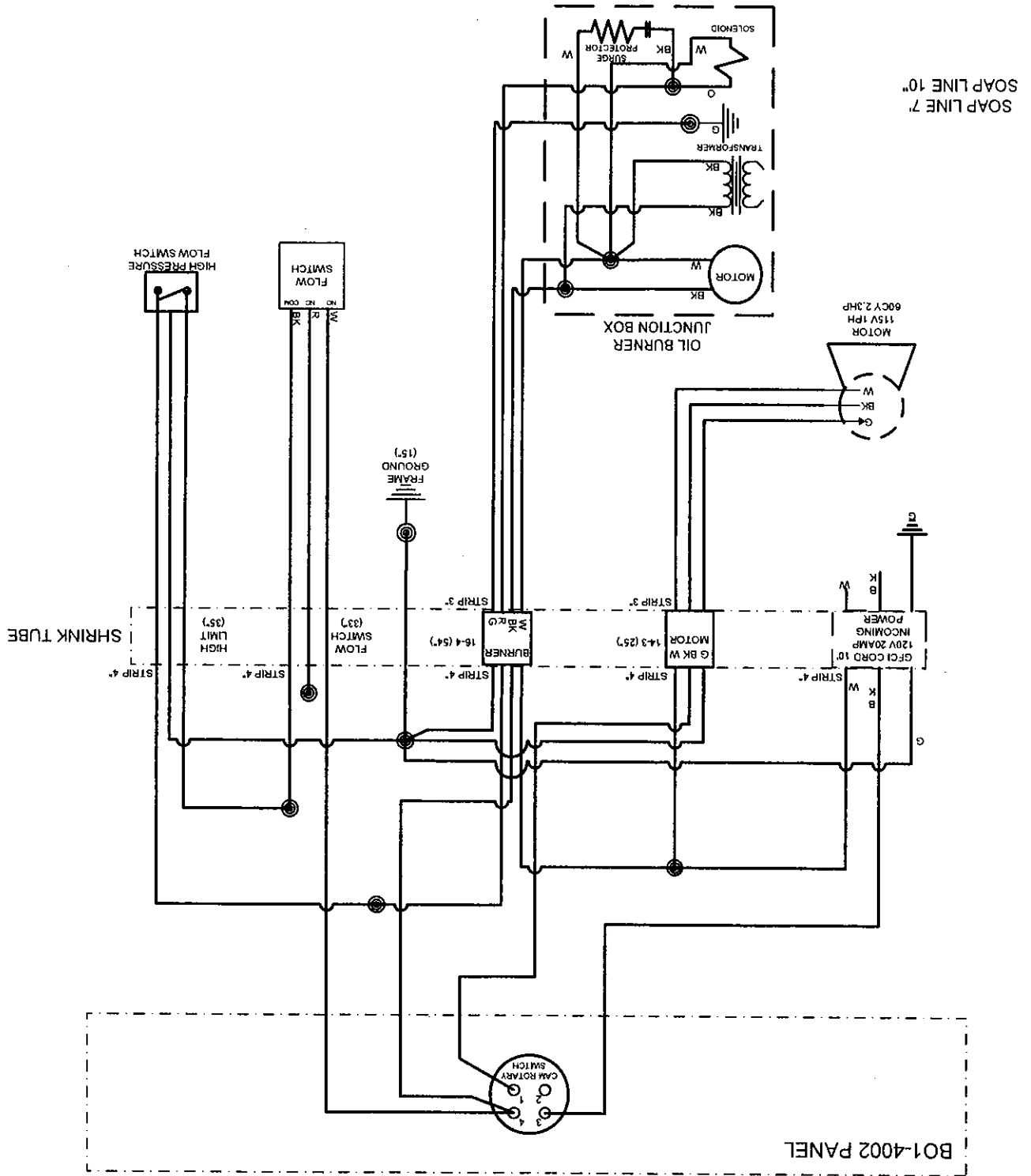
BILL OF MATERIALS			
ITEM QTY	PART DESCRIPTION	PART \ DRW#	
1	QUICK COUPLER	01-421300	
2	ADJ. NOZZLE HOLDER	06-151960	
3	TRIGGER	06-152500	
4	LANCE	06-201300	
5	WASH JET	06-415035	
6	HOSE	11-114015	

TITLE	PANEL ASSEMBLY
DESCRIPTION	12-212ED - ROTARY SWITCH
DATE	06-Sep-05
DWG#	F01-6201



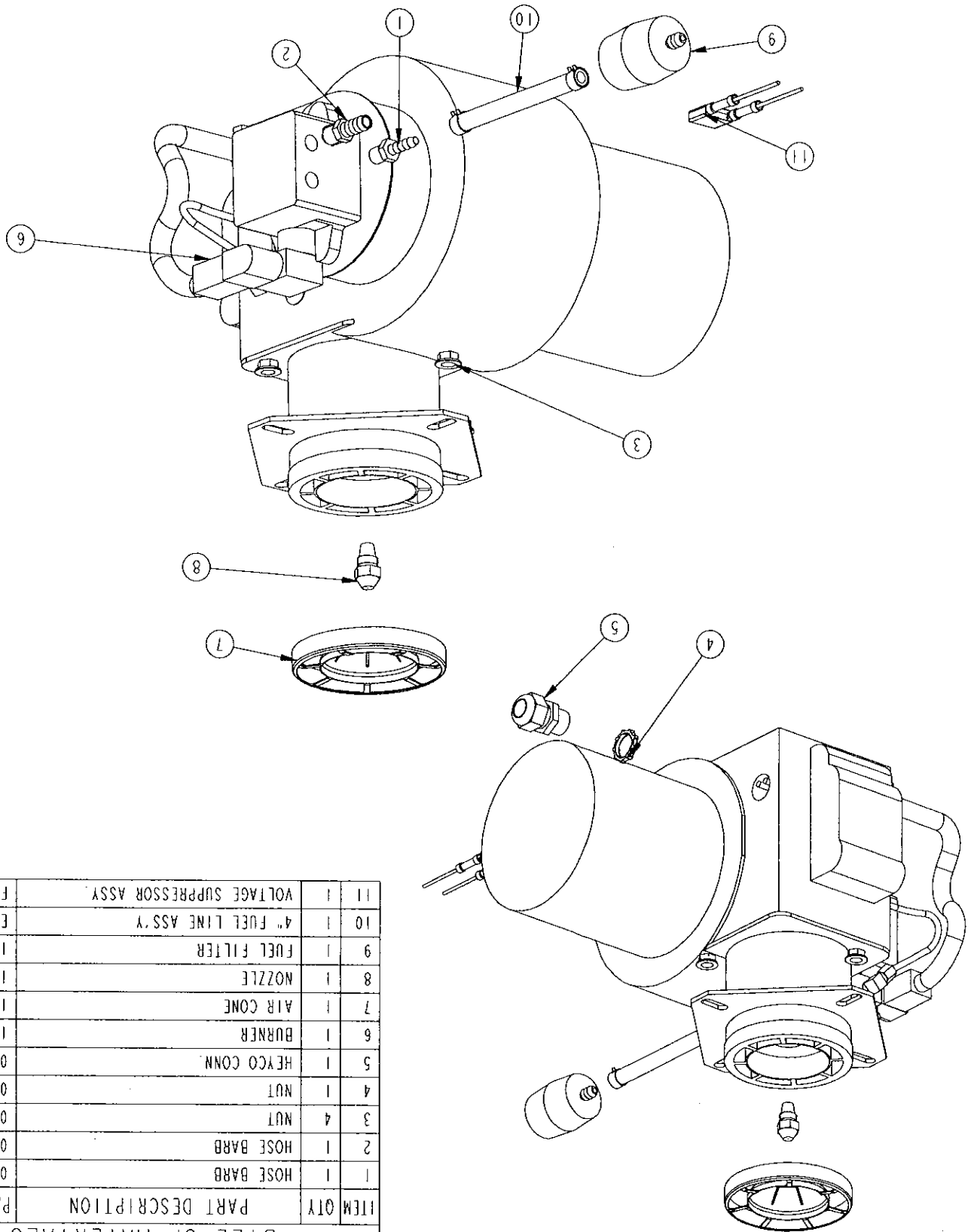
BILL OF MATERIALS			
ITEM QTY	PART DESCRIPTION	PART \ DRW#	
1	2	SCREW	02-101400
2	1	NUT	03-191005
3	1	HEVCO CONN.	03-192520
4	1	GFCI	03-211720
5	1	SWITCH	03-222000
6	2	TIP GROMMET	03-241000
7	1	HOLE PLUG	03-242004
8	1	CONTROL PANEL	B01-4002

TITLE WIRING DIAGRAM 120V 1PH 2HP		MODEL: 12-212 ED	DRAWN BY: WG
CLEANING SYSTEMS <i>Handwritten signature</i>		DATE: 06-Mar-07	PART NUMBER: F01-6202



BO1-4002 PANEL

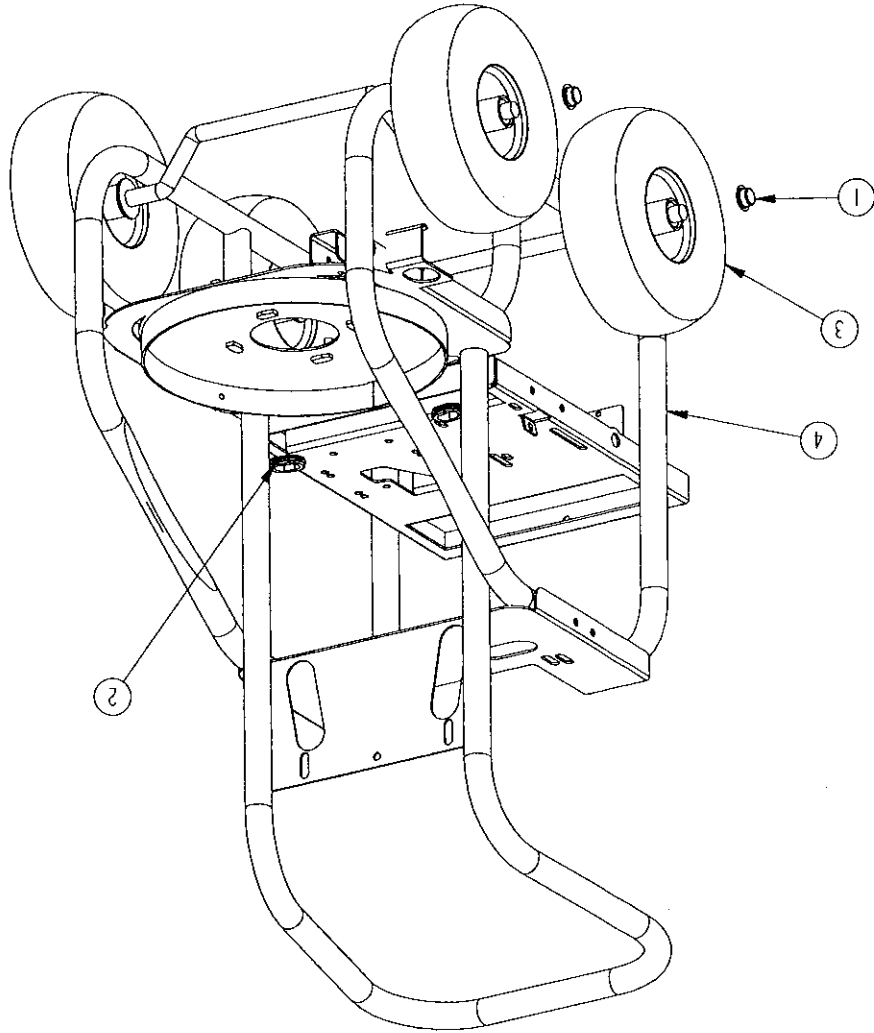
BILL OF MATERIALS			
ITEM QTY	PART DESCRIPTION	PART \ DRWH	
1	HOSE BARB	01-411100	
1	HOSE BARB	01-411101	
3	NUT	02-301300	
4	NUT	03-191005	
1	HERCO CONN.	03-192520	
1	BURNER	10-111033	
1	AIR CONE	10-111223	
1	NOZZLE	10-201000	
1	FUEL FILTER	10-301150	
10	4" FUEL LINE ASS'Y	E01-0335-4	
11	VOLTAGE SUPPRESSOR ASSY	F01-0500	



TITLE	BURNER ASS'Y
DESCRIPTION	12-212 ED
DATE	03-Aug-05
DRWG#	601-4001

A 21-Aug-07 WG CHANGED BURNER PER VENDOR

TITLE	MACHINE SUB-ASSEMBLY
DESCRIPTION	JR - SILVER WHEELS
DATE	10-Mar-09
DWG#	X01-6200-2



BILL OF MATERIALS		ITEM QTY	PART DESCRIPTION	PART \ DRW#
4	1	FRAME WELDMENT	B01-6207-3	
3	4	WHEEL	12-151250	
2	2	GROMMET	03-241105	
1	4	PUSH CAP	02-521203	