

OPERATOR'S MANUAL



hose powering system

AMPLIFI™

BY BRIGGS & STRATTON

Briggs & Stratton Power Products Group, LLC
Milwaukee, Wisconsin, U.S.A.



Manual No. 314016 Revision -



Thank you for purchasing this quality-built Amplifi™ Hose Powering System. We are pleased that you've placed your confidence in the Amplifi brand. When operated and maintained according to the instructions in this manual, your Amplifi Hose Powering System will provide many years of dependable service.

Amplifi Hose Powering Systems are built and serviced proudly by Briggs & Stratton®.

This manual contains safety information to make you aware of the hazards and risks associated with Hose Powering Systems and how to avoid them. Because Briggs & Stratton does not necessarily know all the applications this Hose Powering System could be used for, it is important that you read and understand these instructions thoroughly before attempting to start or operate this equipment. **Save these original instructions for future reference.**

This Hose Powering System requires final assembly before use. Refer to the *Assembly* section of this manual for instructions on final assembly procedures. Follow the instructions completely.

Where to Find Us

You never have to look far to find Briggs & Stratton support and service for your Hose Powering System. Consult your Yellow Pages. There are over 30,000 Briggs & Stratton authorized service dealers worldwide who provide quality service. You can also contact Briggs & Stratton Customer Service by phone at **(800) 743-4115**, or on the Internet at www.amplificleaning.com.

Hose Powering System

Model Number	<input type="text"/> <input type="text"/> <input type="text"/> <input type="text"/> <input type="text"/> <input type="text"/> <input type="text"/>
Revision	<input type="text"/> <input type="text"/>
Serial Number	<input type="text"/> <input type="text"/> <input type="text"/> <input type="text"/> <input type="text"/> <input type="text"/> <input type="text"/> <input type="text"/> <input type="text"/> <input type="text"/> <input type="text"/>

Date Purchased

<input type="text"/> <input type="text"/>	<input type="text"/> <input type="text"/>	<input type="text"/> <input type="text"/>
---	---	---

Copyright © 2011. Briggs & Stratton Power Products Group, LLC
Milwaukee, WI, USA. All rights reserved.
Briggs & Stratton Power Products is a registered
trademark of Briggs & Stratton Corporation
Milwaukee, WI, USA

Table of Contents

Operator Safety	4
Equipment Description	4
Assembly	6
Unpack Hose Powering System	6
Prior to Operation	6
Install Batteries Into Spray Gun	6
Connect Hoses and Water Supply	6
Transporting the Hose Powering System	7
Features and Controls	8
Operation	9
How to Start Your Hose Powering System	9
How to Stop Your Hose Powering System	9
How to Use the Spray Gun Nozzles	10
Sprayer Removal/Reassembly	10
Usage Tips	10
Other Tips	11
Applying Detergent	11
Hose Powering System Rinsing	11
Maintenance	12
General Recommendations	12
Hose Powering System Maintenance	12
Nozzle Maintenance	12
Pump and Motor Maintenance	12
Battery Replacement	12
Winter or Long Term Storage	13
Initial Storage Procedures	13
Protecting the Pump	13
Final Storage Procedures	13
Troubleshooting	14
Owner Warranty	15
Product Specifications	16

Operator Safety

Equipment Description



Read this manual carefully and become familiar with your Hose Powering System. Know its applications, its limitations, and any hazards involved.

The Hose Powering System operates at a maximum of 150 PSI and a flow rate of up to 5.2 gallons per minute (19.68 liters per minute).


Every effort has been made to ensure that the information in this manual is accurate and current. However, we reserve the right to change, alter, or otherwise improve the product and this document at any time without prior notice.

Ground Fault Circuit Interrupter Protection

This product must be properly grounded. This Hose Powering System is equipped with a ground fault circuit interrupter (GFCI). The device will disconnect both power conductors to the load circuit in the event of an interruption in either or both supply circuit power conductors. If a malfunction or breakdown occurs, the GFCI provides protection. If replacement of the plug or cord is required, use only identical replacement parts.

The electrical power cord must be plugged into an appropriate outlet that is properly installed and grounded in accordance with all local codes and ordinances. Read the instructions on the plug for use or see *How to Start Your Hose Powering System*.

⚠ WARNING Risk of electrocution.



- Keep all electrical connections dry and off the ground.
- NEVER touch plug with wet hands.
- NEVER cut or remove grounding blade (round longer pin) on GFCI attachment plug.

Automatic Shut-Off

The Hose Powering System is equipped with a sensor that will detect that water flow has stopped when releasing or locking the spray gun trigger. The sensor will cause the motor to shut off for as long as the spray gun trigger is released or locked.

If the motor continues to run when the spray gun trigger is released or locked, DO NOT USE THE MACHINE. Call the Hose Powering System helpline at **(800) 743-4115** for assistance.

NOTICE The Hose Powering System is equipped with a main power ON/OFF switch. The switch should always be moved to the OFF position (O) when the Hose Powering System is not being used to prevent possible damage.

Motor Overload

The electric motor in this Hose Powering System is equipped with an overload protection device (thermostat). This device will automatically shut off the motor if the motor overheats or draws excessive current.

If the overload protection device is tripped, disconnect the power supply by turning the master ON/OFF switch to the OFF position (O). Let unit cool for 30 minutes. Then turn the master ON/OFF switch to the ON position (I) to resume operation.

Extension Cords

We Do Not recommend the use of extension cords with this device. If it is necessary to use one, you must use only extension cords that are approved for outdoor use. These extension cords are identified by a marking "ACCEPTABLE FOR USE WITH OUTDOOR APPLIANCES." Extension cords are not recommended unless they are plugged into a ground-fault-protected receptacle. DO NOT use damaged extension cords. Also observe the following specifications:

Cable Length:	Wire Gauge:
Up to 25 feet (8 m)	14 AWG
50 feet (15 m)	12 AWG

Always disconnect the extension cord from the receptacle before disconnecting the GFCI from the extension cord.

Important Safety Information

Please read and understand this entire manual before attempting to assemble, operate or service the product. Follow the maintenance instructions specified in this manual. If you have any questions regarding the product, please call customer service at **(800) 743-4115**, 8 a.m. - 5 p.m., CST, Monday - Friday.

Safety Symbols and Meanings



Chemical Burn



Read Manual



Electrical Shock



Slippery Surface



Fall



Projectile



Flying Objects

⚠ The safety alert symbol indicates a potential personal injury hazard. A signal word (DANGER, WARNING, or CAUTION) is used with the alert symbol to designate a degree or level of hazard seriousness. A safety symbol may be used to represent the type of hazard. The signal word NOTICE is used to address practices not related to personal injury.


⚠ DANGER indicates a hazard which, if not avoided, *will* result in death or serious injury.

⚠ WARNING indicates a hazard which, if not avoided, *could* result in death or serious injury.

⚠ CAUTION indicates a hazard which, if not avoided, *could* result in minor or moderate injury.


NOTICE address practices not related to personal injury.

⚠ WARNING Risk of electrocution. Contacting both power conductors, at the same time could cause electric shock or burn resulting in death or serious injury.




- Connect only to a properly grounded outlet. DO NOT remove ground pin from plug.
- Inspect cord before each use, DO NOT use if cord is damaged.
- Keep all connections dry and off the ground.
- DO NOT touch plug with wet hands.
- DO NOT run cord through doorways, windows, holes in ceilings, walls, or floors.
- DO NOT walk on cord.
- DO NOT drive over, drag or place objects over cord.
- DO NOT spray near power source.

⚠ WARNING Use of Hose Powering System could create puddles and slippery surfaces. Risk of kickback. Spray gun could kickback causing you to fall resulting in death or serious injury.




- Operate the Hose Powering System from a stable surface.
- Do not overreach or stand on unstable support. Keep good footing and balance at all times.
- The cleaning area should have adequate slopes and drainage to reduce the possibility of a fall due to slippery surfaces.
- Be extremely careful if you must use the Hose Powering System from a ladder, scaffolding, or any other similar location.
- Firmly grasp spray gun with both hands when using power spray modes to avoid injury when spray gun kicks back.

⚠ WARNING Chemical Burn Hazard. Chemicals could cause burns resulting in death, serious injury and/or property damage.




- Always wear indirect vented (chemical splash) safety goggles marked to comply with ANSI Z87.1 when using chemicals.
- DO NOT substitute safety glasses or dry-condition goggles for indirect vented safety goggles.
- DO NOT use caustic liquid with Hose Powering System.
- Use ONLY pressure washer safe detergents/soaps. Follow all manufacturers instructions.

⚠ WARNING Risk of fire. Spraying flammable liquids could result in death, serious injury and/or property damage.




- DO NOT spray flammable liquids.

⚠ WARNING Risk of fire. Overheated cord could result in death, serious injury, and/or property damage.



- Uncoil cord completely prior to use.
- DO NOT cover cord with any material.

⚠ WARNING Risk of eye or bodily injury. Spray could splash back, propel objects or cause internal harm resulting in serious injury.



- DO NOT allow CHILDREN to operate the Hose Powering System.
- Keep operating area clear of all persons.
- Inspect garden hose before each use. NEVER repair garden hose. Replace with a heavy duty garden hose.
- DO NOT repair leaking connections with sealant of any kind. Replace hose gasket.
- Keep hose connected to Hose Powering System and spray gun while system is pressurized.
- ALWAYS point spray gun in safe direction while system is pressurized and squeeze spray gun trigger to release high pressure, every time you turn off the unit. Engage trigger lock when not in use.
- DO NOT aim spray gun at people or animals.
- DO NOT drink from hose connected accessories.
- DO NOT secure spray gun in open position.
- DO NOT leave spray gun unattended while the Hose Powering System is in ON (I) position.
- DO NOT use a spray gun which does not have a trigger lock or trigger guard in place and in working order.
- Always be certain spray gun and accessories are correctly attached.
- Stay alert – watch what you are doing.
- DO NOT operate the product when fatigued or under the influence of alcohol or drugs.

⚠ WARNING This product contains lead and lead compounds, known to the State of California to cause birth defects or other reproductive harm. *Wash your hands after handling this product.*

NOTICE Improper treatment of Hose Powering System could damage it and shorten its life.

- If you have questions about intended use, ask dealer or contact authorized service center.
- DO NOT operate units with broken or missing parts, or without protective housing or covers.
- DO NOT by-pass any safety device on the Hose Powering System.
- DO NOT modify the Hose Powering System in any way.
- Before starting the Hose Powering System in cold weather, check all parts of the equipment to be sure ice has not formed there.
- DO NOT move the Hose Powering System by pulling on hoses. Move unit using the transport handle supplied.
- Use ONLY branded accessories intended for use with this product.

Assembly



Read entire operator's manual before you attempt to assemble or operate your new Hose Powering System.

Your Hose Powering System requires some assembly but is quickly ready for use. If you have any problems with the assembly of your Hose Powering System, please call the Hose Powering System helpline at **(800) 743-4115**.

Tools Needed

- Needle nose pliers.
- Phillips screw driver.

Items Not Included

- Long (100 ft [30.48 m] max.) Amplifi brand heavy duty garden hose or equivalent with 400 psi minimum burst pressure.
- 4 AA Batteries.

Unpack Hose Powering System

1. Remove everything from carton except for the pump and hose pot assembly.
2. Open carton completely by cutting each corner from top to bottom to remove the pump and hose pot assembly.

Items in the carton include:

- Pump and hose pot assembly
- Hose pot cover
- Spray gun with detergent bottle
- Detachable transport handle
- 15 ft (4.5 m) inlet garden hose
- Parts bag (which includes the following):
 - Operator's manual
 - Owner's registration card

Check all contents. If any parts are missing or damaged, call the Hose Powering System helpline at **(800) 743-4115**.

Become familiar with each component before assembling the Hose Powering System. Identify contents with the illustration shown in *Features and Controls*.

Prior to Operation

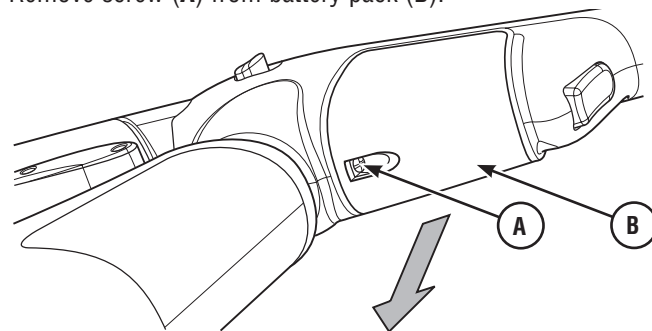
1. Please fill out and send in the registration card.
2. Read and perform the following instructions while paying close attention to all warnings and notices.

NOTICE Connect ONLY to water source capable of supplying a minimum of 6 gpm at 30 psi. Inspect all equipment, hoses and accessories thoroughly before each use, DO NOT use if damaged.

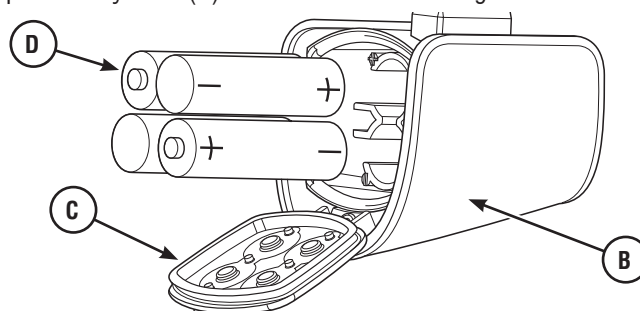
- DO NOT use light duty discharge garden hose.
- ONLY use branded accessories intended for use with this product.
- For optimum performance, use a 15 foot inlet hose and 50 foot discharge hose 5/8 inch or greater.
- Replace only with original equipment parts.
- To order, call **(800) 743-4115** or visit www.amplificleaning.com.

Install Batteries Into Spray Gun

1. Remove screw (A) from battery pack (B).



2. Remove battery pack.
3. Open battery door (C). Be careful not to damage rubber seal.

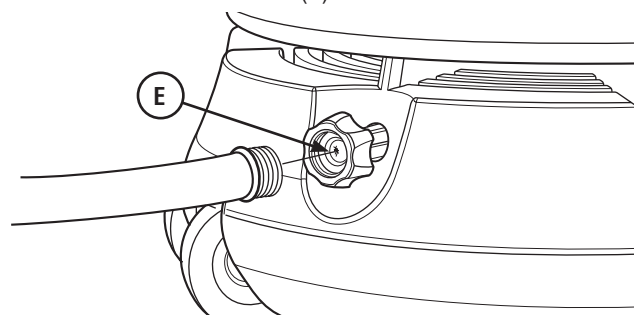


4. Insert 4 AA batteries (D) into battery pack EXACTLY as illustrated.
5. Close battery door.
6. Replace battery pack onto spray gun.
7. Replace screw in battery pack.

Connect Hoses and Water Supply

NOTICE Use ONLY cold water (less than 100°F).

1. Attach 15 ft. (short) inlet garden hose to water supply.
2. Run water through inlet garden hose for 30 seconds to flush the hose of debris. Turn off water.
3. Remove and discard shipping cap from the unit's water inlet using a needle nose pliers.
4. Confirm water inlet screen (E) is installed.



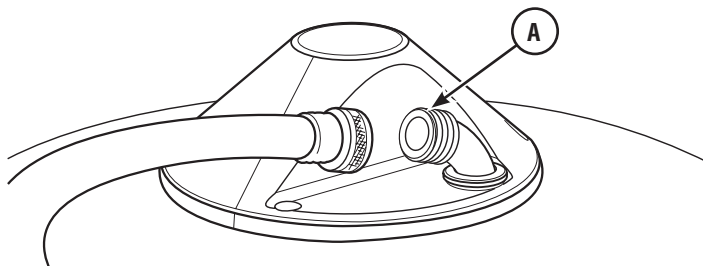
NOTICE If inlet screen is damaged or missing, DO NOT use Hose Powering System. Call **(800) 743-4115** for assistance.

NOTICE DO NOT run the pump without the water supply connected and turned on.

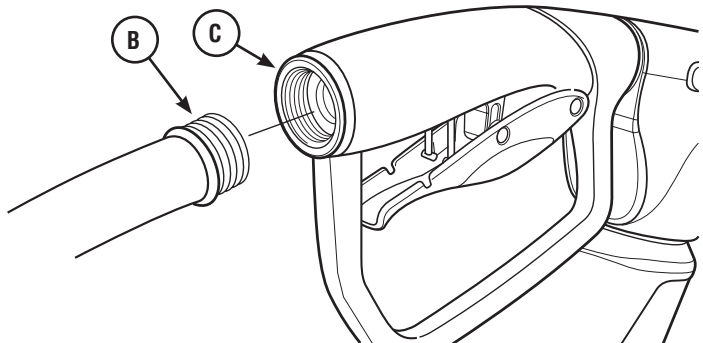
- Damage to equipment resulting from failure to follow this instruction will void warranty.
5. Attach opposite end of 15 ft. inlet garden hose to Hose Powering System's water inlet coupling (E). Tighten by hand.

- Attach (long) heavy duty discharge garden hose to pump outlet (A) inside hose pot. Tighten by hand. Turn on water and run for 30 seconds to flush system. Turn off water.

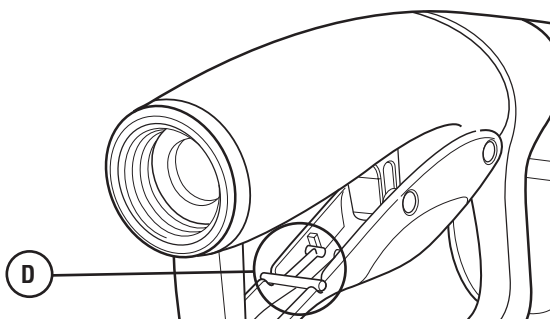
NOTICE Use Amplifi brand heavy duty garden hose or equivalent with 400 psi minimum burst pressure.



- Uncoil long garden hose and attach opposite end of hose (B) to spray gun (C). Tighten by hand.



- Turn ON water, point gun in a safe direction, release trigger lock (D) and squeeze trigger to purge pump system and spray gun of air.



Checklist Before Starting Pump Motor

Review the unit's assembly to ensure you have performed all of the following.

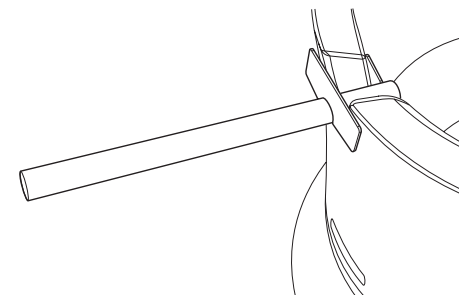
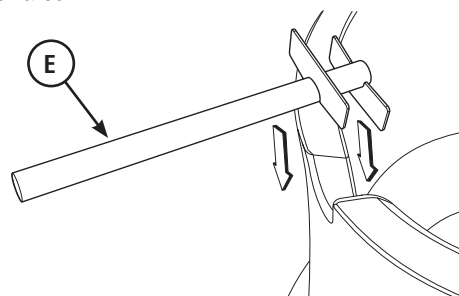
- Be sure to read *Operator Safety* and *Operation* before using the Hose Powering System.
- Check for properly tightened hose connections.
- Check to make sure there are no kinks, cuts, or damage to hoses.
- Provide a proper water supply at an adequate flow.
- Plug electrical cord into a properly grounded electrical source.

Transporting the Hose Powering System

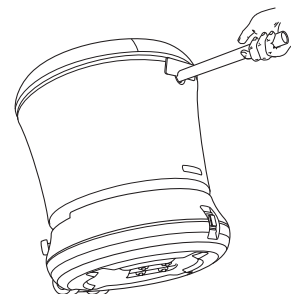
NOTICE Use handle for transporting unit over smooth level surfaces only. For stairs and uneven surfaces, carry unit using assistance.

WARNING Lifting hazard. Single person lift could result in serious injury. Use assistance when moving or lifting. Use team lift.

- Remove cover from the Hose Powering System.
- Slide the transport handle (E) down completely into the slot as illustrated.



- Reinstall the cover.
- Lift handle to transfer the unit's weight to the transport wheels.



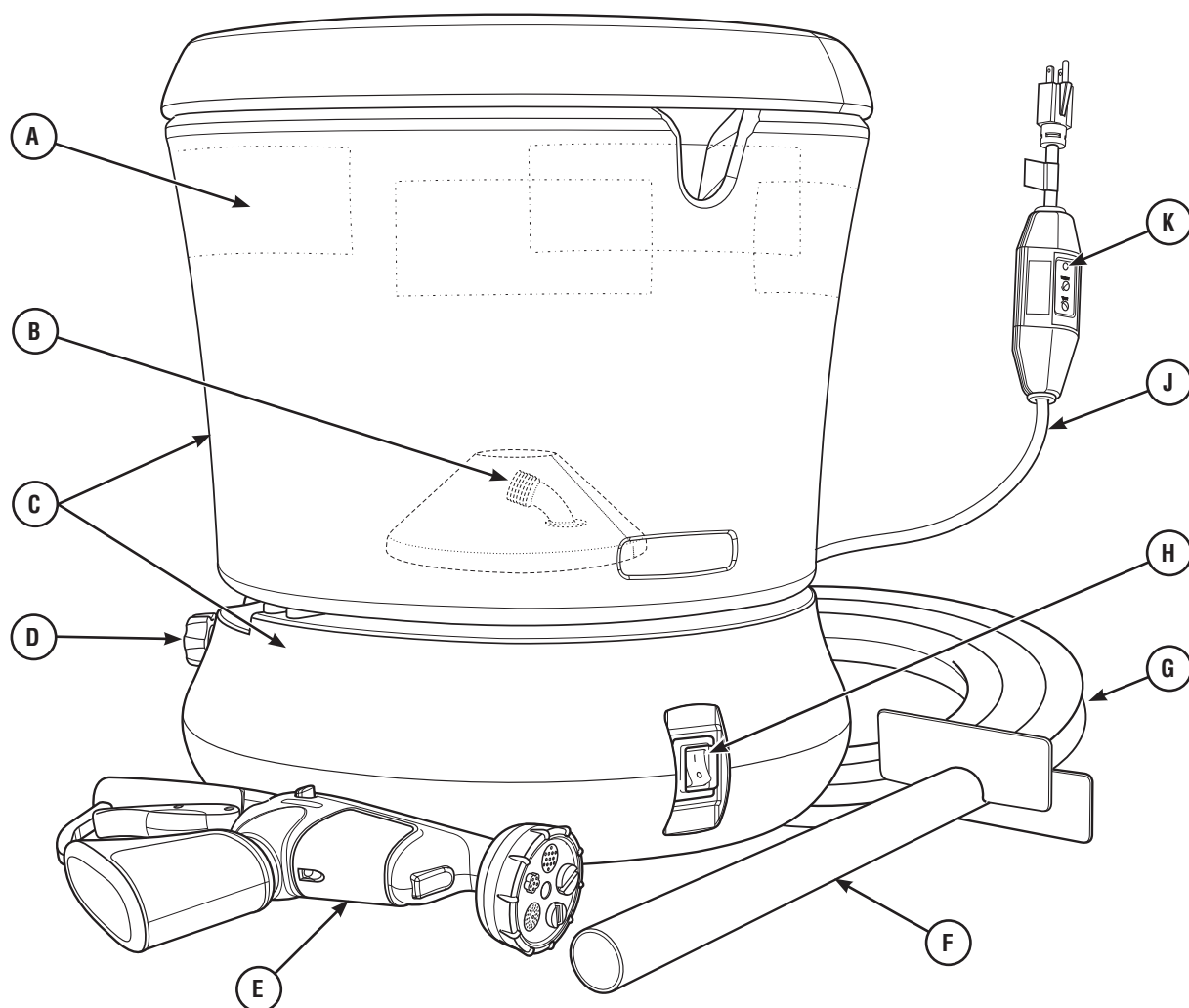
- Using the handle, move the Hose Powering System to the desired location.

Features and Controls



Read the Operator's Manual and safety rules before operating your Hose Powering System.

Compare the illustrations with your Hose Powering System to familiarize yourself with the locations of various controls and adjustments. Save this original manual for future reference.



A - Warning Label — Identifies hazards to be avoided when using your pressure washer.

B - Garden Hose Water Outlet — Connect with Amplifi brand heavy duty garden hose or equivalent with 400 psi minimum burst pressure. 100 ft (30.48 m) maximum length (not included).

C - Pump and Pot Assembly — The pump is located at the base of the pot. The pot is used to store the hoses, spray gun, transport handle and electric cord(s).

D - Garden Hose Water Inlet — Connect to water supply using a short garden hose.

E - Spray Gun — Controls the application of water onto cleaning surface with trigger device. Includes trigger lock and cleaning detergent bottle.

F - Transport Handle — Used to safely move the Hose Powering System over smooth, level surfaces to a desired location.

G - Garden Hose — 15 ft (4.5 m) inlet garden hose (included).

H - Master ON/OFF Toggle Switch — Push top of switch in (I) for ON. Push Bottom of switch in (O) for OFF.

J - Electric Cord with GFCI — The Hose Powering System and operator is protected by a ground fault circuit interrupter (GFCI).

K - GFCI Indicator — When RED indicator is illuminated, the GFCI device is working properly. See *Operation*.

Operation

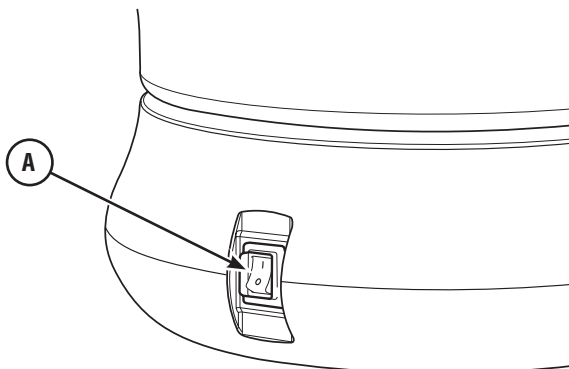
How to Start Your Hose Powering System

Follow the instructions below in the order presented. If you have any problems operating your Hose Powering System, please call the Hose Powering System helpline at **(800) 743-4115**.

1. Using the transporting handle, place Hose Powering System near an outside water source capable of supplying water at a flow rate greater than 6 gallons per minute (22.7 l) and no less than 30 PSI (2.07 BARS) at the Hose Powering System end of garden hose. **DO NOT** siphon supply water.
2. Connect shorter inlet garden hose to water inlet.
3. Check that longer heavy duty discharge garden hose is tightly connected to spray gun. See *Connect Hoses and Water Supply* for illustrations.

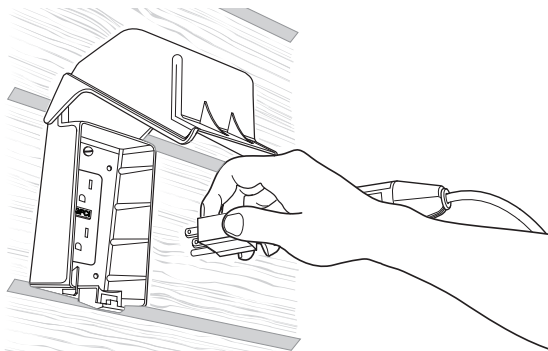
NOTICE **DO NOT** run the pump without the water supply connected and turned on.

- Damage to equipment resulting from failure to follow this instruction will void warranty.
4. Turn ON water, point gun in a safe direction, disengage trigger lock and squeeze trigger to purge pump system of air.
 5. Remove any dirt or foreign matter from spray gun outlet and rotate multi nozzle spray head to desired spray pattern. See *How to Use the Spray Gun Nozzles* for details.
 6. Press the master ON/OFF switch (A) to the OFF position (O).

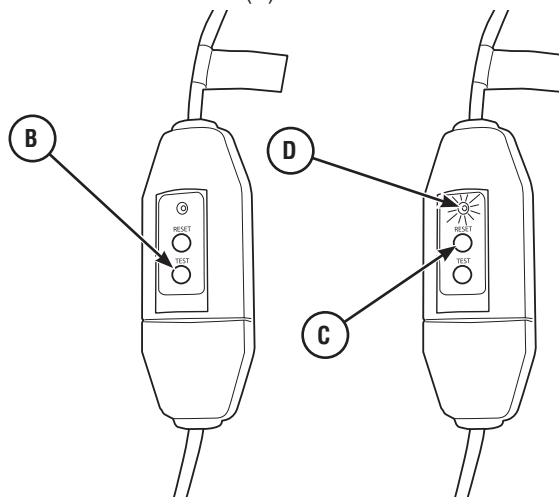


7. Plug electrical power cord into an electrical circuit rated for 120 Volts AC at 15 Amps that is properly installed and grounded in accordance with all local codes and ordinances. The red indicator on the GFCI should appear.

NOTICE The red indicator must be visible for the Hose Powering System to operate.



8. Press TEST button (B). The red indicator should disappear.



9. Press RESET button (C). The red indicator (D) should illuminate.

NOTICE **DO NOT** use the Hose Powering System if above test fails.

10. Press the master ON/OFF switch (A) to the ON position (I).
11. Point gun in a safe direction, disengage trigger lock and squeeze trigger. The Hose Powering System motor will start and stop as spray gun trigger is depressed and released (only when power nozzles are selected).

NOTICE A short delay for the pump to turn on after the trigger is squeezed is normal. A longer more flexible hose will result in a longer starting delay.

The Hose Powering System is now ready for use. Instructions for use of the supplied accessories are given later in this section.

NOTICE It will take a few seconds for the water to pressurize the spray gun.

How to Stop Your Hose Powering System

The Hose Powering System motor runs only when the trigger is engaged and a power nozzle is selected. To stop the Hose Powering System and turn off the motor:

1. Release spray gun trigger.
2. Press the master ON/OFF switch to OFF position (O).

NOTICE Releasing the trigger will shut off the motor but does not shut off electrical power to the unit.

3. Turn off water supply.
4. **ALWAYS** point spray gun in a safe direction and squeeze spray gun trigger to relieve built up pressure in the unit.

NOTICE Spray gun traps high water pressure, even when motor is stopped and water is disconnected.

5. Engage trigger lock.
6. Disconnect GFCI plug from outlet and coil power cord.
7. Coil discharge hose.
8. Flush detergent bottle by removing it from spray gun and pouring out all remaining solution.
9. Rinse detergent bottle out with fresh clean water.
10. Reinstall detergent bottle onto spray gun. Store discharge hose, power cord, spray gun and handle in hose pot.
11. Install cover on unit.

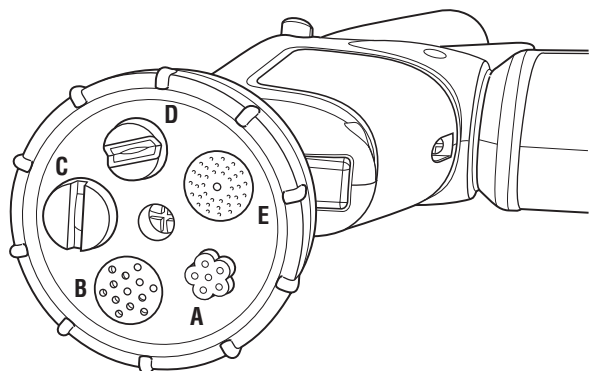
How to Use the Spray Gun Nozzles

You should now be familiar with how to START and STOP your Hose Powering System. If not, please refer to the previous section to familiarize yourself with STARTING and STOPPING the system before continuing.

The information in this section will instruct you how to adjust the spray pattern and to apply pressure washer safe detergents/soaps.

The selector nozzle allows you to switch between five different spray pattern nozzles. Spray patterns can be changed while pressure washer master switch is in the ON (I) position; however, make sure spray gun trigger safety lock is engaged. The spray patterns vary as shown below.

Multi Nozzle



The Amplifi Sprayer has a multi nozzle spray head.

- A Power Jet — High pressure line of water.
- B Power Shower — High pressure cone of water.
- C Power Fan — High pressure fan of water.
- D Gentle Fan — Low pressure fan of water.
- E Gentle Shower — Low pressure cone of water.

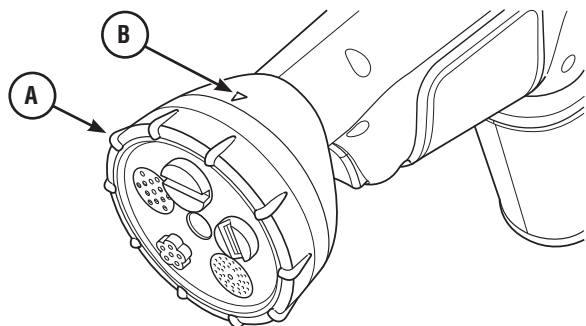
Spray Patterns



The **Power** nozzles are designed to turn the pump ON for more water pressure and flow, and the **Gentle** nozzles are designed to turn the pump OFF for standard garden hose pressure.

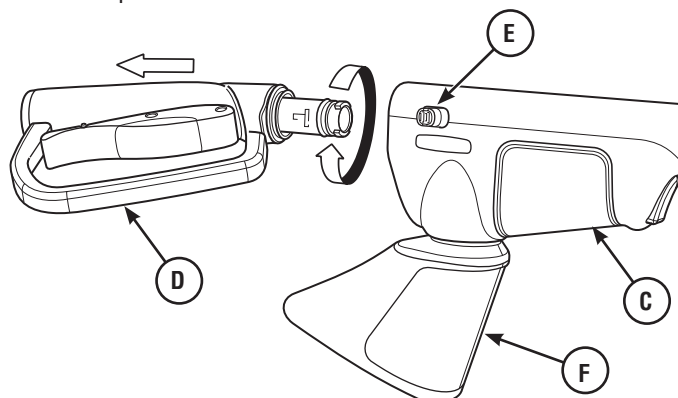
To use a specific nozzle

1. Rotate the spray head (A) so the desired nozzle is at the top of the sprayer and is aligned with the arrow (B). Make sure the spray head clicks into place.

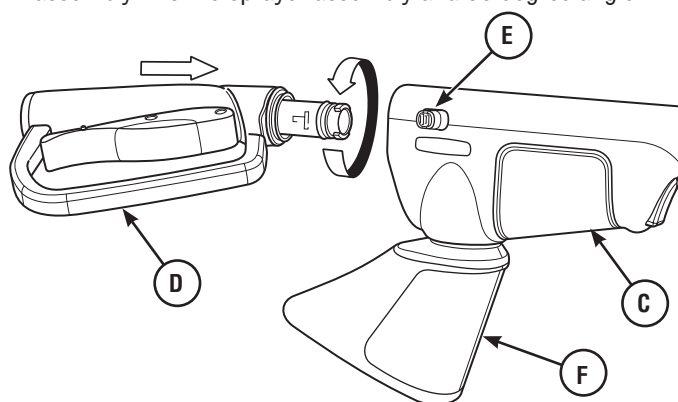


Sprayer Removal/Reassembly

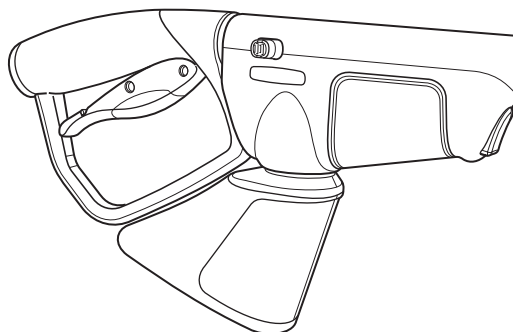
1. The sprayer assembly (C) can be separated from the trigger assembly (D) by pressing the two buttons (E) and twisting the trigger assembly 90 degrees in either direction, then pulling them apart.



2. Reattach the trigger assembly (D) to the sprayer assembly (C) by pressing the two buttons (E) and inserting the trigger assembly into the sprayer assembly at a 90 degree angle.



3. Then rotate the trigger assembly to the position shown below. Release the two buttons (E) to lock the assemblies into position.



NOTICE The trigger can be used with other Amplifi accessories. Please visit www.amplificleaning.com for additional information.

Usage Tips


- If you position spray nozzle too close to cleaning surface, especially using high pressure mode, you may damage surface being cleaned.
- For bucket and pool filling, remove the sprayer assembly (C).

Other Tips

- Water large plant beds with power shower.
- Use gentle shower for delicate plants or single planters.
- Power Jet allows max performance on second stories.
- A short delay for the pump to turn on after the trigger is squeezed is normal. A longer more flexible hose will result in a longer starting delay.

Applying Detergent

⚠ WARNING Chemical Burn Hazard.

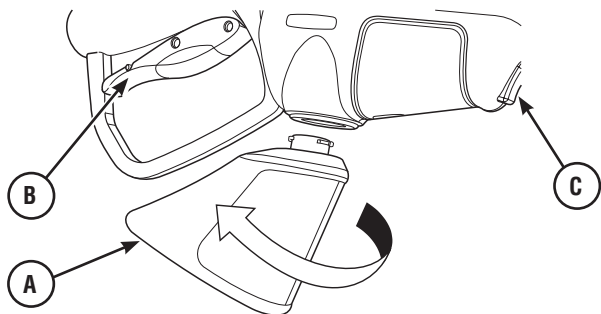
 Chemicals could cause burns resulting in death, serious injury and/or property damage.

- Always wear indirect vented (chemical splash) safety goggles marked to comply with ANSI Z87.1 when using chemicals.
- DO NOT substitute safety glasses or dry-condition goggles for indirect vented safety goggles.
- DO NOT use caustic liquid with Hose Powering System.
- Use ONLY pressure washer safe detergents/soaps. Follow all manufacturers instructions.

Your Hose Powering System is equipped with Detergent on Demand™.

To apply detergent, follow these steps:

1. Review use of multi nozzle as shown in *How to Use the Spray Gun Nozzles*.
2. Prepare your detergent solution as required by job to be performed.
3. Rotate sprayer bottle (A) 90 degrees counter-clockwise and pull from spray gun.



4. Fill bottle with detergent solution.
5. Place suction hose back into sprayer bottle.
6. Replace bottle (A) onto sprayer body and rotate 90 degrees clockwise until it clicks into place.
7. Squeeze trigger (B) to spray water only. Press the red button (C) to pump detergent into the water stream.

NOTICE Trigger must be pressed along with the red button to apply detergent.

8. Apply detergent to a dry surface, starting at lower portion of area to be washed and work upward using long, even, overlapping strokes.
9. Allow detergent to “soak in” for 3-5 minutes before washing and rinsing. Reapply as needed to prevent surface from drying. To prevent streaking, Do Not allow detergent to dry on surface.

Hose Powering System Rinsing

Starting at top of area to be rinsed, work downward using long, even, overlapping strokes.

Other Cleaning Tips

- NEVER leave the Hose Powering System unattended while it is plugged into an electrical outlet and while water is supplied to the equipment.
- If you have the nozzle too far away from the surface being washed, the cleaning may not be as effective.

Maintenance

General Recommendations

Regular maintenance will improve the performance and extend the life of the Hose Powering System. See any authorized dealer for service.

The Hose Powering System's warranty does not cover items that have been subjected to operator abuse or negligence. To receive full value from the warranty, the operator must maintain the Hose Powering System as instructed in this manual, including proper storage.

NOTICE Should you have questions about replacing components on your Hose Powering System, please call **(800) 743-4115** for assistance.

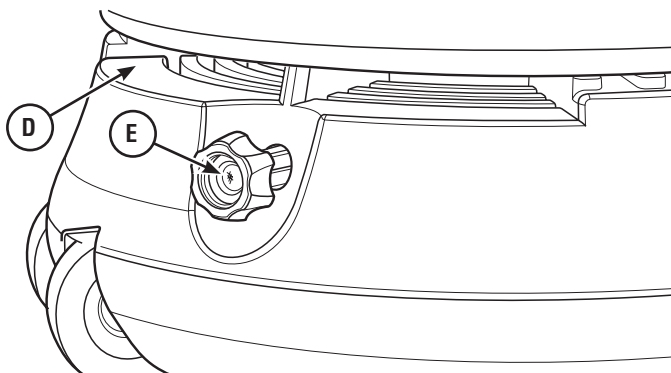
Before Each Use

1. Clean debris.
2. Check water inlet screen for damage.
3. Check hoses for leaks.
4. Check spray gun assembly for leaks.
5. Rinse out garden hose to flush out debris.

Hose Powering System Maintenance

Clean Debris

Daily or before use, clean accumulated debris from Hose Powering System. Inspect cooling air slots and openings (**D**) on the Hose Powering System. These openings must be kept clean and unobstructed.



The Hose Powering System parts should be kept clean to reduce the risk of overheating and ignition of accumulated debris.

- Use a damp cloth to wipe exterior surfaces clean.

NOTICE Improper treatment of the Hose Powering System can damage it and/or shorten its life.

- DO NOT insert any objects through cooling slots.

Check and Clean Water Inlet Screen

Examine water inlet screen (**E**). If the screen is dirty, clean with a small brush and water. If the screen is damaged, replace it.

Check Hoses

Hoses can develop leaks from wear, kinking or abuse. Inspect hoses before each use. Check for cuts, leaks, abrasions, bulging or damage to hose covering, and that couplings are not damaged and rotate freely. If any damage is found, replace with Amplifi brand heavy duty garden hose or equivalent with 400 psi minimum burst pressure.

Check Gun and Nozzles

Examine hose connection to spray gun and make sure it is secure. If water leaks from this connection, replace hose gasket.

Separate the trigger assembly from the sprayer assembly (see *Sprayer Removal/Reassembly*). Check the o-ring located on the trigger assembly connector tube. The o-ring is used to prevent water leaks. Keep o-ring lubricated with silicone grease. Normal usage will cause wear on o-ring and mating surfaces. Replace o-ring if damaged.

Nozzle Maintenance

Excessive pump pressure can cause a pulsing sensation felt while squeezing the spray gun trigger. The principal cause of excessive pump pressure is a nozzle clogged or restricted with foreign materials such as dirt, etc. A clogged nozzle could lead to pump cycling ON/OFF or not turning on even when there is some flow.

To correct the problem, immediately clean the nozzle by following these instructions:

1. Press the master ON/OFF switch to the OFF (O) position. Remove power cord plug from electrical outlet.
2. Disconnect water supply at the Hose Powering System.
3. Pull spray gun trigger to relieve water pressure, then engage the trigger lock.
4. Separate the trigger assembly from the sprayer assembly.
5. Use a cleaning wire or bent paper clip to carefully free any foreign material clogging or restricting nozzle and water inlet screen.
6. Using a garden hose, remove additional debris by back flushing water through nozzle. Back flush between 30 to 60 seconds.
7. Reconnect the trigger assembly to the sprayer assembly.
8. Reconnect water supply to Hose Powering System and turn on water.
9. Plug power cord into electrical outlet and press the master ON/OFF switch to the ON (I) position.
10. Test the Hose Powering System by making sure each of the five nozzles operate properly.

Pump and Motor Maintenance

The Hose Powering System does not require any maintenance to the pump or motor. Both assemblies are pre-lubricated and sealed, requiring no additional lubrication ever.

Battery Replacement

Replace batteries as described in *Install Batteries Into Spray Gun*.

Winter or Long Term Storage

Water should not remain in the unit for long periods of time. Sediments or minerals can deposit on pump parts and “freeze” pump action.

Initial Storage Procedures

1. Flush detergent bottle by removing it from spray gun and pouring out all remaining solution.
2. Rinse detergent bottle out with fresh clean water.
3. Run the Hose Powering System with the “Power Jet” high pressure nozzle selected. Flush for one or two minutes.
4. Press the master ON/OFF switch to the OFF (O) position. Remove power cord plug from electrical outlet.
5. Turn off water supply. Point gun in a safe direction, disengage trigger lock and squeeze trigger to relieve trapped pressure. After a few moments, release trigger on spray gun.
6. Disconnect garden hose from the water supply and the Hose Powering System. Disconnect pressure hose from the pump and the spray gun.
7. Drain water from hoses and spray gun, then use a cloth or equivalent to wipe off all exterior surfaces.
8. Ensure that inlet and outlet hoses are disconnected from the pump. Then drain water from pump by tipping unit upside down.

NOTICE Water left in the pump could freeze and damage the pump.

Protecting the Pump

To protect the pump from damage caused by mineral deposits or freezing, use PumpSaver, Model 6039, to treat pump. This prevents freeze damage and lubricates pistons and seals.

NOTICE PumpSaver is available as an optional accessory. It is not included with the Hose Powering System. Contact the nearest authorized service center to purchase Pump Saver.

NOTICE You must protect your unit from freezing temperatures.

- Failure to do so will permanently damage your pump and render your unit inoperable.
- Freeze damage is not covered under warranty.

To use PumpSaver, make sure the Hose Powering System is turned off and inlet and outlet hoses are disconnected. Read and follow all instructions and warnings given on the PumpSaver container.

Final Storage Procedures

1. Coil hoses and power cord(s) into hose pot.
2. Remove batteries from spray gun.
3. Reinstall detergent bottle onto spray gun. Store spray gun and transport handle in hose pot.
4. Install cover and store unit in a clean, dry area that is protected from freezing temperatures.
5. Cover unit with a suitable protective cover that does not retain moisture.

Troubleshooting

Problem	Cause	Correction
Pump has following problems: failure to produce pressure, erratic pressure, chattering, loss of pressure, low water volume.	<ol style="list-style-type: none"> 1. Water inlet is blocked. 2. Inadequate water supply. 3. Inlet hose is kinked or leaking. 4. Clogged inlet hose screen. 5. Water supply is over 100°F (38°C). 6. Discharge hose is blocked or leaks. 7. Nozzle is obstructed. 8. Pump is faulty. 	<ol style="list-style-type: none"> 1. Clear inlet. 2. Provide adequate water flow. 3. Straighten inlet hose or replace if leaking. 4. Check and clean inlet hose screen. 5. Provide cooler water supply. 6. Clear blocks in discharge hose or replace hose. 7. Clean nozzle. 8. Contact Briggs & Stratton service facility.
Unit fails to start in powered settings (power jet, power shower, power fan).	<ol style="list-style-type: none"> 1. Water supply is not turned on. 2. Unit is not turned on. 3. Water pressure is too low. 4. Inlet hose is too long. 5. Discharge hose is too long. 6. Debris in pump. 	<ol style="list-style-type: none"> 1. Turn on water supply. 2. Turn on unit / reset GFCI. 3. If on a well, increase tank pressure to 40 psi. 4. Use only 15 ft (4.5 m), 5/8" inch inlet hose. 5. Use of a discharge hose longer than 50 ft (15.24 m), may reduce performance. Do Not use a hose longer than 100 ft (30.48 m). 6. Separate trigger assembly from sprayer assembly (see <i>Sprayer Removal/ Reassembly</i>). Press trigger to start unit and purge debris from pump.
Pump turns ON in Gentle settings (gentle fan, gentle shower).	<ol style="list-style-type: none"> 1. Water pressure is too high. 	<ol style="list-style-type: none"> 1. If on a well, decrease tank pressure to 40 psi.
Detergent fails to mix with spray.	<ol style="list-style-type: none"> 1. Batteries in spray gun are dead. 2. Batteries installed incorrectly. 	<ol style="list-style-type: none"> 1. Replace with new batteries. See <i>Install Batteries Into Spray Gun</i>. 2. Install batteries correctly. See <i>Install Batteries Into Spray Gun</i>.

BRIGGS & STRATTON POWER PRODUCTS GROUP, LLC HOSE POWERING SYSTEM OWNER WARRANTY POLICY

Effective January 1, 2011; replaces all undated Warranties and all Warranties dated before January 1, 2011

LIMITED WARRANTY

Briggs & Stratton Power Products Group, LLC will repair or replace, free of charge, any part(s) of the hose powering system that is defective in material or workmanship or both. Transportation charges on product submitted for repair or replacement under this warranty must be borne by purchaser. This warranty is effective for the time periods and subject to the conditions stated below. For warranty service, find the nearest Authorized Service Dealer in our dealer locator map at BRIGGSandSTRATTON.COM.

THERE IS NO OTHER EXPRESS WARRANTY. IMPLIED WARRANTIES, INCLUDING THOSE OF MERCHANTABILITY AND FITNESS FOR A PARTICULAR PURPOSE, ARE LIMITED TO ONE YEAR FROM PURCHASE, OR TO THE EXTENT PERMITTED BY LAW. ANY AND ALL IMPLIED WARRANTIES ARE EXCLUDED. LIABILITY FOR INCIDENTAL OR CONSEQUENTIAL DAMAGES ARE EXCLUDED TO THE EXTENT EXCLUSION IS PERMITTED BY LAW. Some states or countries do not allow limitations on how long an implied warranty lasts, and some states or countries do not allow the exclusion or limitation of incidental or consequential damages, so the above limitation and exclusion may not apply to you. This warranty gives you specific legal rights and you may also have other rights which vary from state to state or country to country.

WARRANTY PERIOD

Consumer Use	90 Days
Commercial Use	None

The warranty period begins on the date of purchase by the first retail consumer or commercial end user, and continues for the period of time stated above. "Consumer use" means personal residential household use by a retail consumer. "Commercial use" means all other uses, including use for commercial, income producing or rental purposes. Once equipment has experienced commercial use, it shall thereafter be considered as commercial use for purposes of this warranty.

NO WARRANTY REGISTRATION IS NECESSARY TO OBTAIN WARRANTY ON BRIGGS & STRATTON PRODUCTS. SAVE YOUR PROOF OF PURCHASE RECEIPT. IF YOU DO NOT PROVIDE PROOF OF THE INITIAL PURCHASE DATE AT THE TIME WARRANTY SERVICE IS REQUESTED, THE MANUFACTURING DATE OF THE PRODUCT WILL BE USED TO DETERMINE THE WARRANTY PERIOD.

ABOUT YOUR WARRANTY

We welcome warranty repair and apologize to you for being inconvenienced. Any Authorized Service Dealer may perform warranty repairs. Most warranty repairs are handled routinely, but sometimes requests for warranty service may not be appropriate. For example, warranty service would not apply if equipment damage occurred because of misuse, lack of routine maintenance, shipping, handling, warehousing or improper installation. Similarly, the warranty is void if the manufacturing date or the serial number on the pressure washer has been removed or the equipment has been altered or modified. During the warranty period, the Authorized Service Dealer, at its option, will repair or replace any part that, upon examination, is found to be defective under normal use and service. This warranty will not cover the following repairs and equipment:

- **Normal Wear:** Outdoor Power Equipment, like all mechanical devices, needs periodic parts and service to perform well. This warranty also does not cover normal maintenance such as filters, adjustments, cleaning and obstruction (due to chemical, lime, dirt, and so forth).
- **Installation and Maintenance:** This warranty does not apply to equipment or parts that have been subjected to improper or unauthorized installation or alteration and modification, misuse, negligence, accident, overloading, overspeeding, improper maintenance, repair or storage so as, in our judgment, to adversely affect its performance and reliability. This warranty also does not cover normal maintenance such as filters, adjustments, chemical system cleaning and obstruction (due to chemical, lime, dirt, and so forth).
- **Other Exclusions:** This warranty excludes wear items such as quick couplers, seals, o-rings, pumps that have been run without water supplied or damage or malfunctions resulting from accidents, abuse, modifications, alterations, or improper servicing or freezing or chemical deterioration. Accessory parts, such as guns, and hoses, are excluded from the product warranty. This warranty excludes used, reconditioned, and demonstration equipment and failures due to acts of God and other force majeure events beyond the manufacturers control. 314785E, Rev. -, 01/12/2011

BRIGGS & STRATTON POWER PRODUCTS GROUP, LLC
MILWAUKEE, WI, USA



Amplifi Hose Powering System

Product Specifications

Max Outlet Pressure	150 PSI *
Flow Rate	5.2 GPM *
Detergent Mix.....	See MFR's Instructions
Water Supply Temperature.....	Not to exceed 100°F (38°C)
Motor	Induction Type
Rated Voltage.....	120 Volts AC
Current.....	13 Amps

* Individual performance will vary based on variables such as inlet water pressure.

Briggs & Stratton Power Products Group, LLC
P.O. Box 702
Milwaukee, Wisconsin, 53201-0702 U.S.A.