



Quick Setup Guide

Hose Powering System

BY BRIGGS & STRATTON

Have Questions?

Do not return to store. We can help.
Call Customer Service Toll-Free 1-800-743-4115
Or visit our website www.amplificleaning.com

▲ WARNING Failure to read and follow the operator's manual and all operating instructions could result in death, serious injury, and/or property damage.

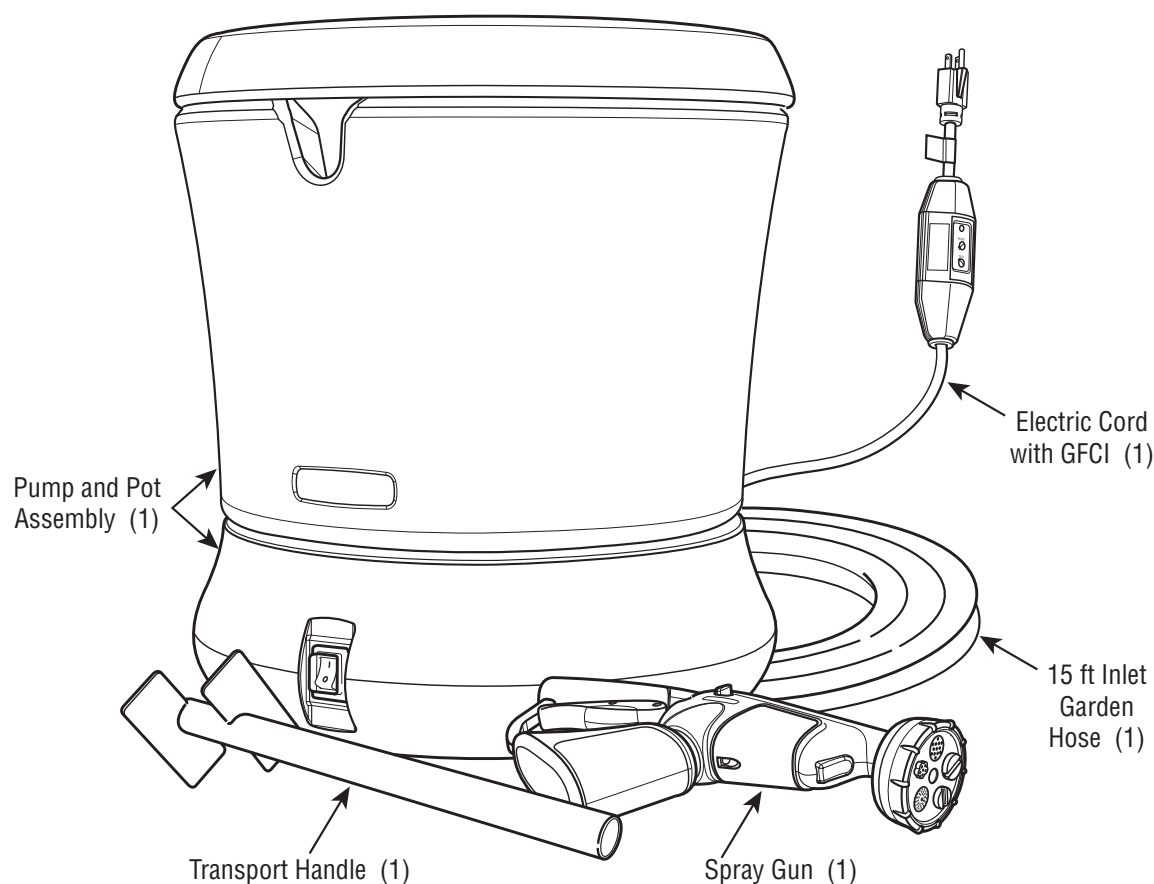


▲ WARNING Risk of electrocution. Contacting both power conductors, at the same time could cause electric shock or burn resulting in death or serious injury.



- Connect only to a properly grounded outlet. DO NOT remove ground pin from plug.
- Inspect cord before each use, DO NOT use if cord is damaged.
- Keep all connections dry and off the ground.
- DO NOT touch plug with wet hands.

Items Included: Operator's Manual (not shown)

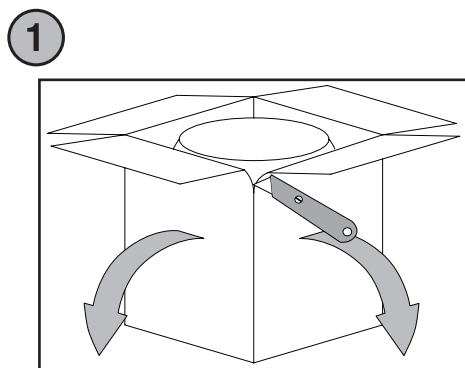


You will need:

- Utility knife
- Amplifi brand heavy duty garden hose or equivalent with 400 psi minimum burst pressure, 50 ft. (15m)
- 4 AA batteries
- Needle nose pliers
- #2 Phillips screwdriver

Unpack hose powering system

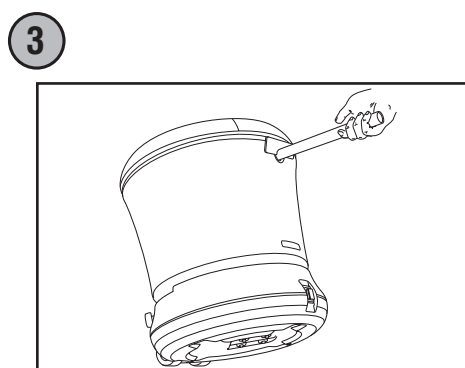
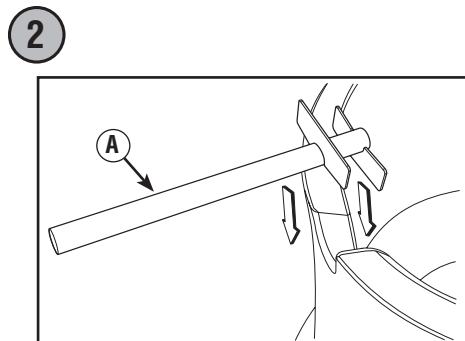
1. Remove everything from carton except for the pump and hose pot assembly.
2. Open carton completely by cutting each corner from top to bottom to remove the pump and hose pot assembly. ①
3. Ensure you have all included items prior to assembly. If items are damaged or missing, call 1-800-743-4115.
4. Prior to assembly, lubricate o-ring connection as described in operator's manual.



Transporting the hose powering system

NOTICE Use handle for transporting unit over smooth level surfaces only. For stairs and uneven surfaces, carry unit using assistance.

1. Remove cover from the Hose Powering System.
2. Slide the transport handle (A) down completely into the slot as illustrated. ②
3. Reinstall the cover.
4. Lift handle to transfer the unit's weight to the transport wheels. ③
5. Using the handle, move the Hose Powering System to the desired location. ③
6. Remove and store transport handle in hose pot.

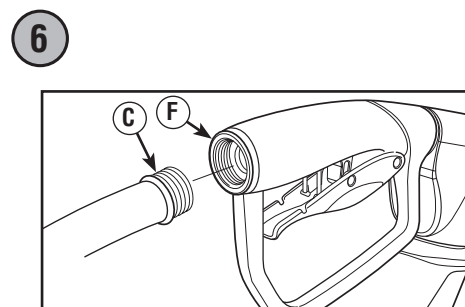
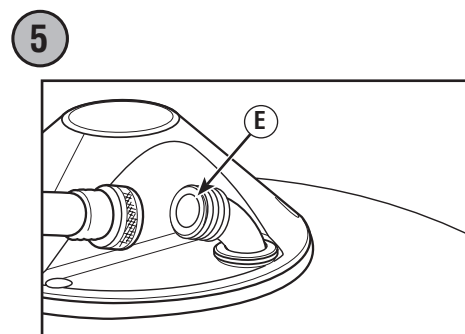
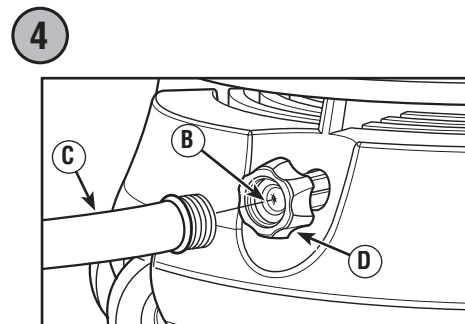


Connect hoses and water supply

1. Before connecting supplied garden hose to water inlet, inspect inlet screen (B). ④

NOTICE If inlet screen is damaged or missing, DO NOT use Hose Powering System, call 1-800-743-4115.

2. Clean screen if it contains debris or have it replaced if damaged.
3. Run cold water through supplied garden hose for 30 seconds to clean out any debris. Turn off water supply and attach garden hose (C) to water inlet (D). Tighten by hand. ④
4. Attach Amplifi brand heavy duty garden hose or equivalent with 400 psi minimum burst pressure to pump outlet (E) inside hose pot. Tighten by hand. Turn on water and run for 30 seconds to flush system. Turn off water. ⑤
5. Uncoil long garden hose and attach opposite end of hose (C) to spray gun (F). Tighten by hand. ⑥



Start hose powering system

NOTICE DO NOT run the pump without the water supply connected and turned on.

1. Turn ON water, point gun in a safe direction, disengage trigger lock (G) and squeeze trigger (H) to purge pump system of air. ⑦
2. Engage trigger lock. Remove any dirt or foreign matter from spray gun outlet and rotate multi nozzle spray head to desired spray pattern.

NOTICE For spray gun nozzle instructions, see operator's manual.

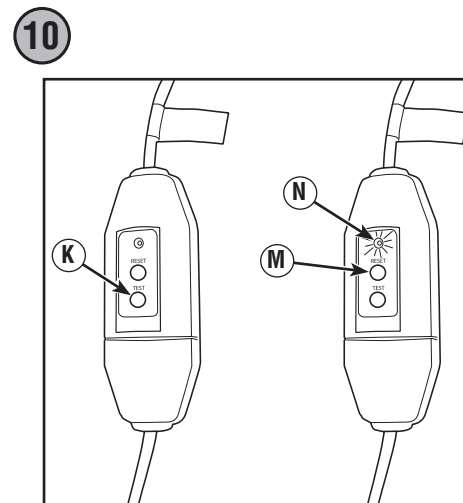
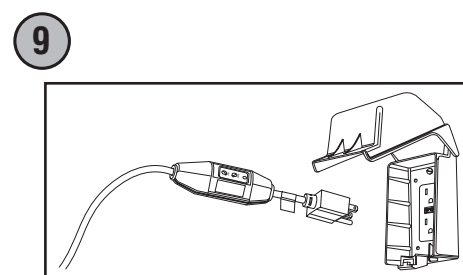
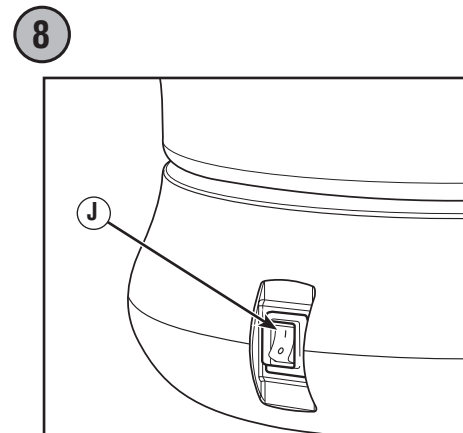
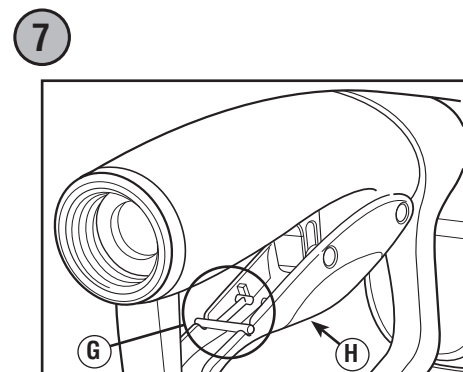
3. Press the master ON/OFF switch (J) to the OFF position (O). ⑧
4. Plug electrical power cord into an electrical circuit rated for 120 Volts AC at 15 Amps that is properly installed and grounded in accordance with all local codes and ordinances. The red indicator (N) on the GFCI should appear. ⑨ ⑩

NOTICE The red indicator must be visible for the Hose Powering System to operate.

5. Press TEST button (K). The red indicator (N) should disappear. ⑩
6. Press RESET button (M). The red indicator (N) should illuminate. ⑩
7. Press the master ON/OFF switch (J) to the ON position (I). ⑧
8. Point gun in a safe direction, disengage trigger lock and squeeze trigger. The Hose Powering System motor will start and stop as spray gun trigger is depressed and released (only when power nozzles are selected).

NOTICE A short delay for the pump to turn on after the trigger is squeezed is normal. A longer more flexible hose will result in a longer starting delay.

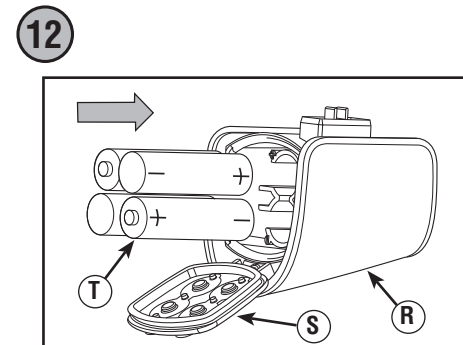
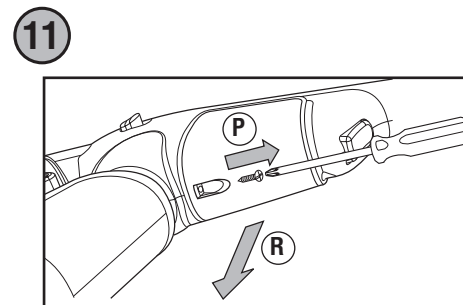
NOTICE It will take a few seconds for the water to pressurize the spray gun.



Install batteries into spray gun

NOTICE For using pressure washer safe detergents/soaps, see operator's manual.

1. Remove screw (P) from battery pack (R). ⑪
2. Remove battery pack.
3. Open battery door (S). Be careful not to damage rubber seal. ⑫
4. Insert 4 AA batteries (T) into battery pack EXACTLY as illustrated. ⑫
5. Close battery door.
6. Replace battery pack onto spray gun.
7. Replace screw in battery pack.



Stop hose powering system

1. Release spray gun trigger.
2. Press the master ON/OFF switch to OFF position (O).

NOTICE Releasing the trigger will shut off the motor but does not shut off electrical power to the unit.

3. Turn off water supply.
4. ALWAYS point spray gun in a safe direction and squeeze spray gun trigger to relieve built up pressure in the unit.

NOTICE Spray gun traps high water pressure, even when motor is stopped and water is disconnected.

5. Engage trigger lock.
6. Disconnect GFCI plug from outlet and coil power cord.
7. Coil long garden hose.
8. Store long garden hose, power cord, spray gun and transfer handle in hose pot.
9. Install cover on unit.
10. For long term storage instructions, see operator's manual.

To protect the pump from damage caused by freezing, read the operator's manual for winter or long term storage.