

RMW

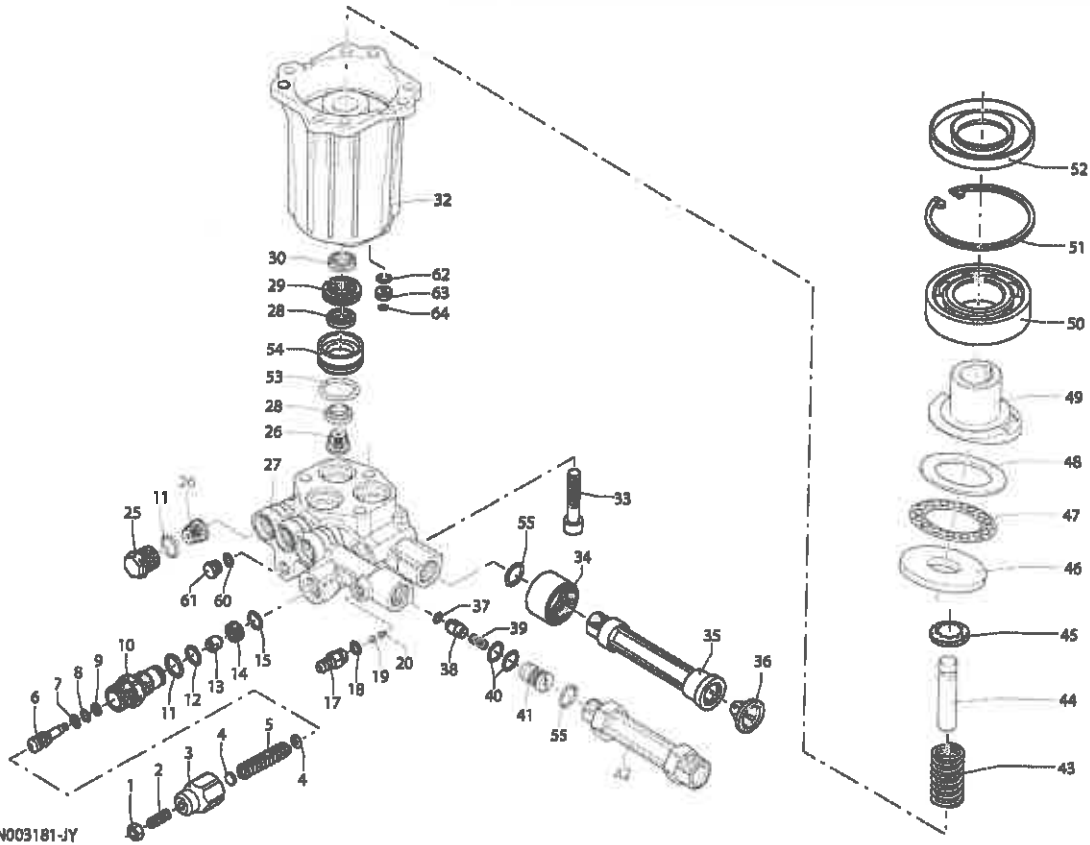
NOJ353A

D

3400_{rpm}

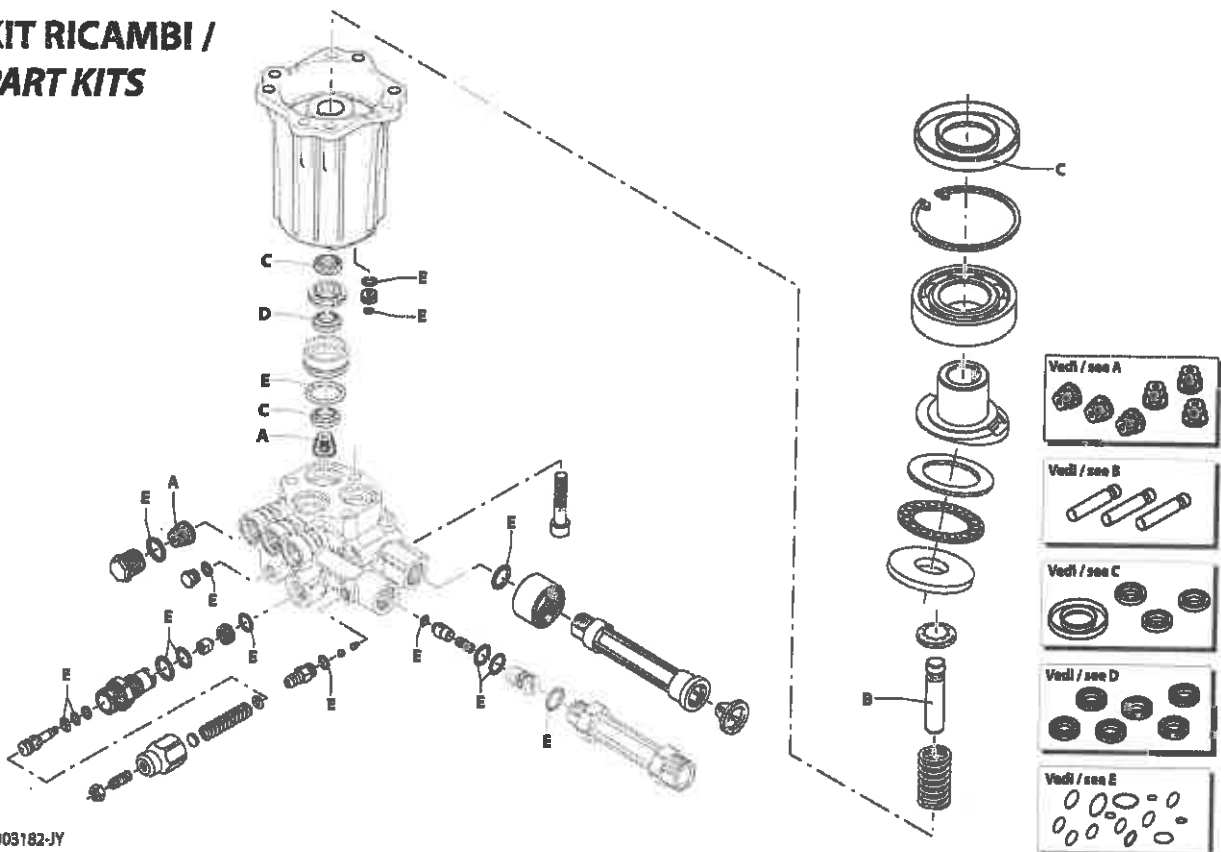
Ø 7/8"

Rmw25626D1



UN003181-JY

KIT RICAMBI / PART KITS



UN003182-JY

RMW

NOISEA D

MODELLO - MODEL:
2.5 G26 cod. - p/n 22283

Pos.	Cod. Part n°	Denominazione	Description	Q.tà Q.ty	Note Vedl / See	Pos.	Cod. Part n°	Denominazione	Description	Q.tà Q.ty	Note Vedl / See
1	1980300	Dado M 6	Nut	1		49	2840570	Albero femmina	Hollow shaft	1	
2	392840	Grano M 6X16	Grub screw	1		50	161060	Cuscinetto	Bearing	1	
3	2760480	Inserito manopola	Handle Insert	1		51	161050	Anello seeger Ø172	Circlip	1	
4	1980220	Piattello molla	Plate spring	2		52	2840310	Anello tenuta	Seal	1	
5	2760410	Molla	Spring	1		53	770590	OR Ø 21,95x1,78	O-Ring	3	
6	2841140	Pistone valvola	Valve piston	1		54	2840550	Boccola	Bushing	3	
7	2260100	OR Ø 6,02x2,62	O-Ring	1		55	2840890	OR Ø 14x2	O-Ring	2	
8	660190	OR Ø 6,07x1,78	O-Ring	1		60	600180	OR Ø 7,66x1,78	O-Ring	1	
9	2760210	Anello antiestrusione	Ring	1		61	2840830	Vite	Screw	1	
10	2840750	Guida pistone	Piston guide	1		62	480560	OR Ø 6,75x1,78	O-Ring	1	
11	740290	OR Ø 14x1,78	O-Ring	4		63	2840710	Tappo olio	Oil plug	1	
12	820510	OR Ø 10,82x1,78	O-Ring	1		64	480480	OR Ø 4,48x1,78	O-Ring	1	
13	2840760	Otturatore by pass	By-pass Jet	1							
14	2841080	Sede	Seat	1							
15	1470210	OR Ø 9x1	O-Ring	1							
17	1982520	Portagomma	Hose tail	1							
18	480480	OR Ø 4,48x1,78	O-Ring	1							
19	1250280	Sfera	Ball	1							
20	1560520	Molla	Spring	1							
25	2840130	Tappo	Plug	3							
26	2849050	Valvola completa	Complete valve	6							
27	2840860	Testa pompa	Pump head	1							
28	2200141	Guarnizione	Gasket	6							
29	2840540	Boccola	Bushing	3							
30	1683500	Anello tenuta	Seal	3							
32	2840230	Corpo pompa	Housing	1							
33	800220	Vite TCEI M 8x45	Screw	3							
34	2840270	Raccordo aspirazione	Suction fitting	1	3/4" NH						
35	2840250	Raccordo aspirazione	Suction fitting	1							
36	1266330	Filtro	Filter	1							
37	1460431	OR Ø 4x2,5	O-Ring	1							
38	2841150	Otturatore	Jet	1							
39	1343580	Molla	Spring	1							
40	800560	OR Ø 8,73x1,78	O-Ring	2							
41	2840340	Iniettore detergente	Detergent injector	1							
42	2840260	Raccordo mandata	Outlet fitting	1							
43	2840060	Molla	Spring	3							
44	2840530	Pistone	Piston	3							
45	2840050	Anello	Ring	3							
46	1980130	Ralla	Thrust bearing	1							
47	1980250	Gabbia completa	Complete cage	1							
48	1980240	Ralla	Thrust bearing	1							

RMW 2.5G 26DF

KIT RICAMBI - PART KITS

SIMBOLOGIA - SYMBOLS

A=KIT 42123
valvole
valves

B=KIT 2234
piston
pistons

C=KIT 2236
tenute olio
oil seals

D=KIT 2235
tenute acqua
water seals

Pos.	Q.ty	Pos.	Q.ty	Pos.	Q.ty	Pos.	Q.ty
26	6	44	3	30	3	28	6
				52	1		

E=KIT 42107
OR
O-Rings

Pos.	Q.ty	Pos.	Q.ty	Pos.	Q.ty	Pos.	Q.ty
7	1	37	1				
8	1	40	2				
11	5	53	3				
12	1	55	2				
15	1	62	1				
18	1	64	1				