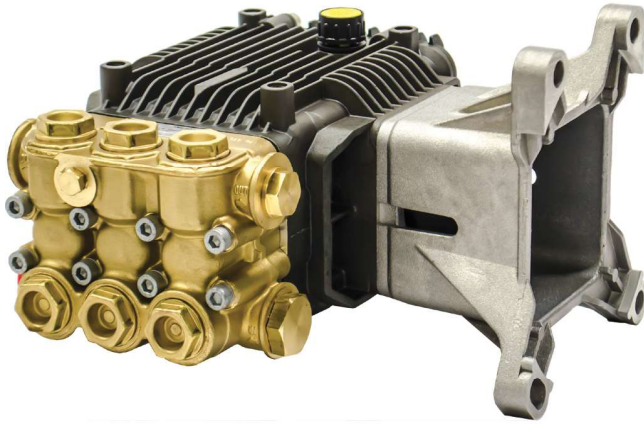




XMV-F24

HOLLOW SHAFT PUMP



Commercial

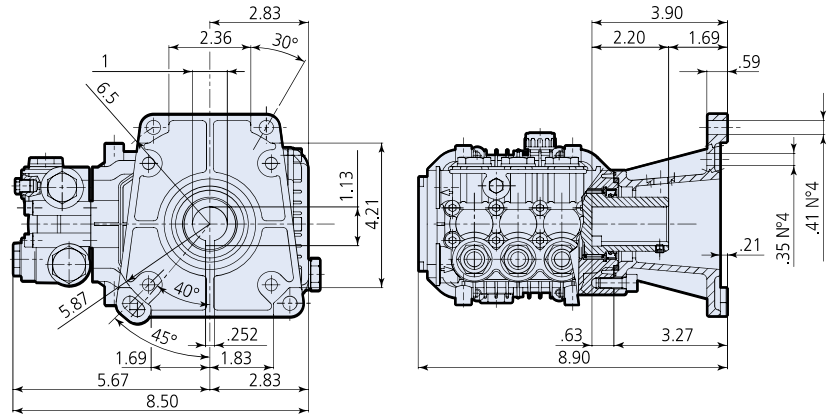
140° F - Max Water Temp
 1/2" F - Inlet Thread
 3/8" F - Discharge Thread
 14.5 oz - Oil Capacity



● brass head



○ aluminum connecting rods



D version + F24

MOD	MAX	MAX		NET	BORE DIA	STROKE	CRANKSHAFT ID STAMP	LIST PRICE
	l/min	gpm	bar	psi	ebhp	rpm	lbs	mm

XMV 3400rpm D version 1" with Nema Gas Engine Flange

XMV3G30D-F24 ● ○ 11.4 3 206 3000 6.2 3400 16 15 7.6 9 \$755.43

SPECIAL PARTS / KITS

MOD	DESCRIPTION	LIST PRICE
AR2776	Viton Water Seals ø 15	\$360.60
AR2817	Kit for up to 180° F ø 15 High Temp	\$411.87
AR64516	Oil (16 oz)	\$15.80

REPAIR KITS

MOD	DESCRIPTION	QTY	LIST PRICE
AR1864	Valves	6	\$59.29
AR2544	Pistons ø 15	3	\$179.97
AR2741	Water Seals ø 15	3	\$108.65
AR2787	Oil Seals	6	\$59.70
AR2740	Support Ring ø 15	3	\$13.54