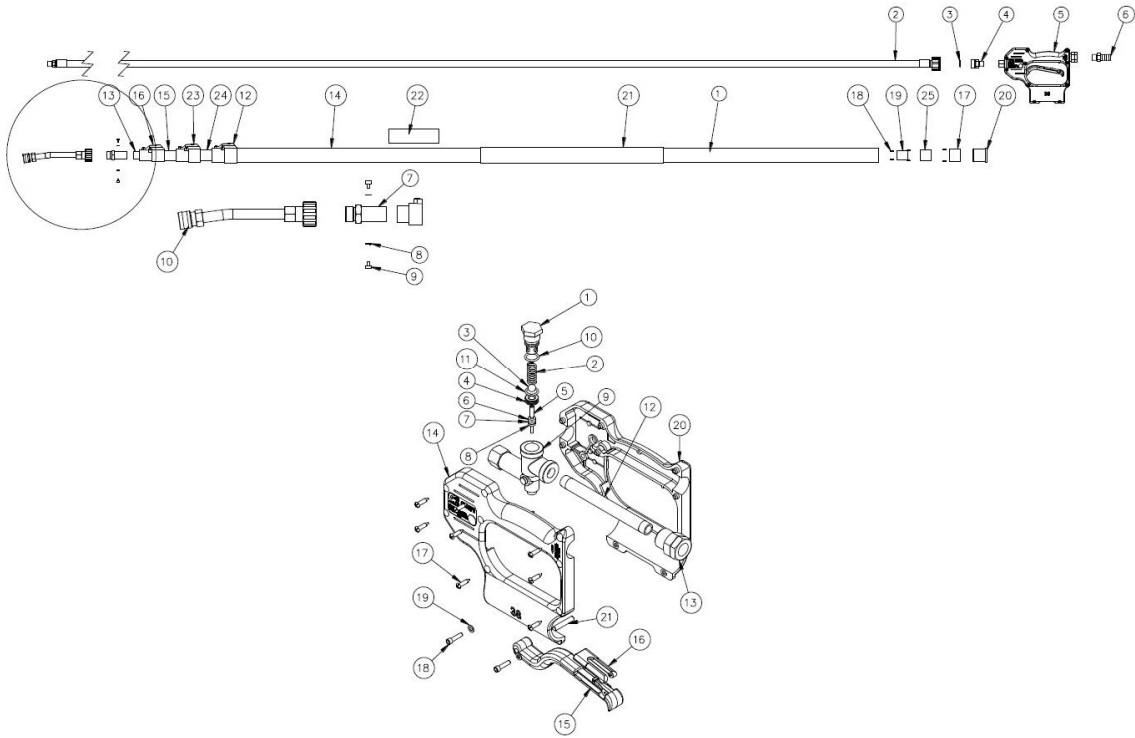


Parts Diagram



Wand Parts List

Reference	Part Number	Part Description	Quantity
1	2103393	Pole Assembly, 24'	1
2	2103394	Gun, 24' TW, 150 PSI	1
3	2510298	M22 Plug, 1/4NPT-Male	1
4	2701066	O-ring	1
5	2103395	1/2" PVC Hose Assembly, 26'	1
6	2510297	Brass Hose Barb, 5/8"x3/8NPT-Male	1
7	2510189	Adapter	1
8	2203506	Washer, Lock	2
9	2200070	SHCS, M4 x 16	2
10	2103396	Kit, TW, Top SS Lance	1
11	D20015	Belt, TW	1
12	2103068	Lock, Pin	1
13	2550108	Tube	1
14	2550217	Tube, Round	1
15	2550107	Tube	1
16	2103070	Lock, Pin	1
17	2660182	Stop	1
18	2660184	Stop, Round, Tube	6
19	2660185	Stop	1
20	2680181	Grommet	1
21	2702015	Guard, Foam	1
22	GPC0058	Label, Warning	1
23	2103069	Lock, Pin	1
24	2550106	Tube	1
25	2660183	Stop	1

Gun Parts List

Reference	Part Number	Part Description	Quantity
1	2510005	Plug, Gun	1
2	2720040	Spring, S316	1
3	2640046	Ball, 5/16", Ceramic	1
4	2660414	Seat, Gun, Peek	1
5	2520196	Pin, Gun, S316	1
6	2510004	Washer, Brass	1
7	2701048	O-ring	1
8	2660007	Washer, Teflon	1
9	2452001	Forging, Gun	1
10	2701050	O-ring	1
11	2701049	O-ring	1
12	2520001	Tube, Inlet, Gun	1
13	2510003	Fitting, Inlet, Gun	1
14	2660415	Housing, Gun, left, 24'	1
15	2660004	Trigger, Gun	1
16	2660005	Stop, Trigger, Gun	1
17	2200002	Screw	8
18	2200001	SHCS, M4 x 16	2
19	2203407	Washer	2
20	2660013	Gun, Housing, Right	1
21	2512002	Pin, Trigger	1

Replacement Parts

- For replacement parts and technical questions, please call Customer Service at **1-800-350-8739**.
- Not all product components are available for replacement. The illustrations provided are a convenient reference to the location and position of parts in the assembly sequence.
- When ordering parts, the following information will be required: item description, item model number, item serial number/item lot date code, and the replacement part reference number.
- The distributor reserves the rights to make design changes and improvements to product lines and manuals without notice.