



# Illustrated Parts List

## Model Series

# 21M300

TYPE NUMBERS  
0017 through 3475.

### TABLE OF CONTENTS

Alternator .....	9
Blower Housing/Shrouds .....	6, 7
Camshaft .....	2
Carburetor .....	4
Controls .....	8
Crankcase Cover .....	2
Crankshaft .....	2
Cylinder .....	2
Cylinder Head .....	3
Electric Starter .....	9
Exhaust System .....	5
Flywheel .....	7
Fuel Supply .....	9
Gasket Set - Engine .....	3
Gasket Set - Valve .....	3
Governor Spring .....	8
Ignition .....	9
Kit - Carburetor Overhaul .....	4
Lubrication .....	2
Operator's Manual .....	2
Piston/Rings/Connecting Rod .....	2
Rewind Starter .....	7
Valves .....	3
Warning Label .....	2



PRINTED IN U.S.A.

COPYRIGHT by BRIGGS & STRATTON CORPORATION  
All rights reserved. No part of this material may be reproduced or transmitted,  
in any form or by any means, electronic or mechanical, including photocopying,  
recording or by any information storage and retrieval system, without permission  
in writing from Briggs & Stratton Corporation.

# 21M300

1319 WARNING LABEL

**REQUIRED** when replacing parts with warning labels affixed.

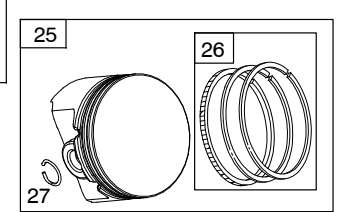
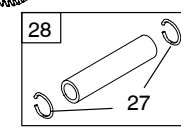
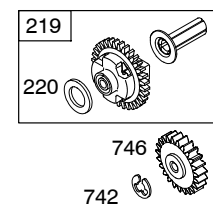
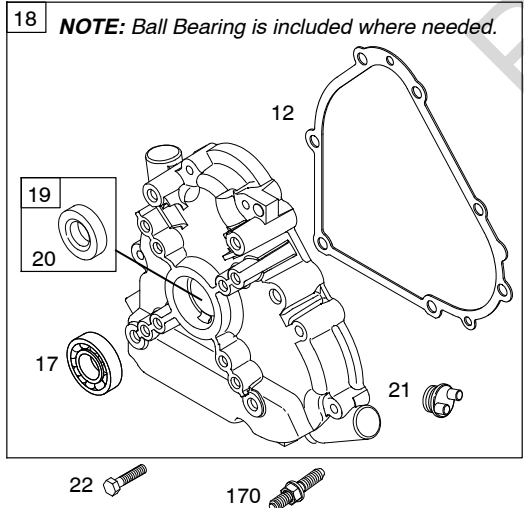
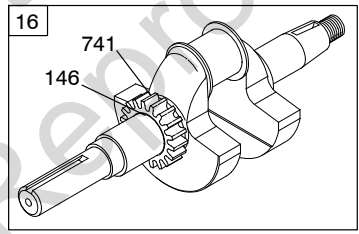
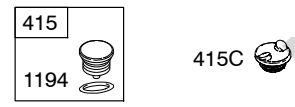
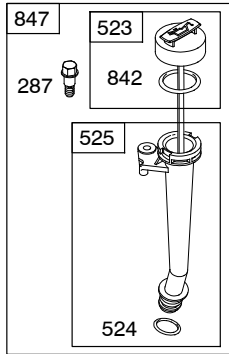
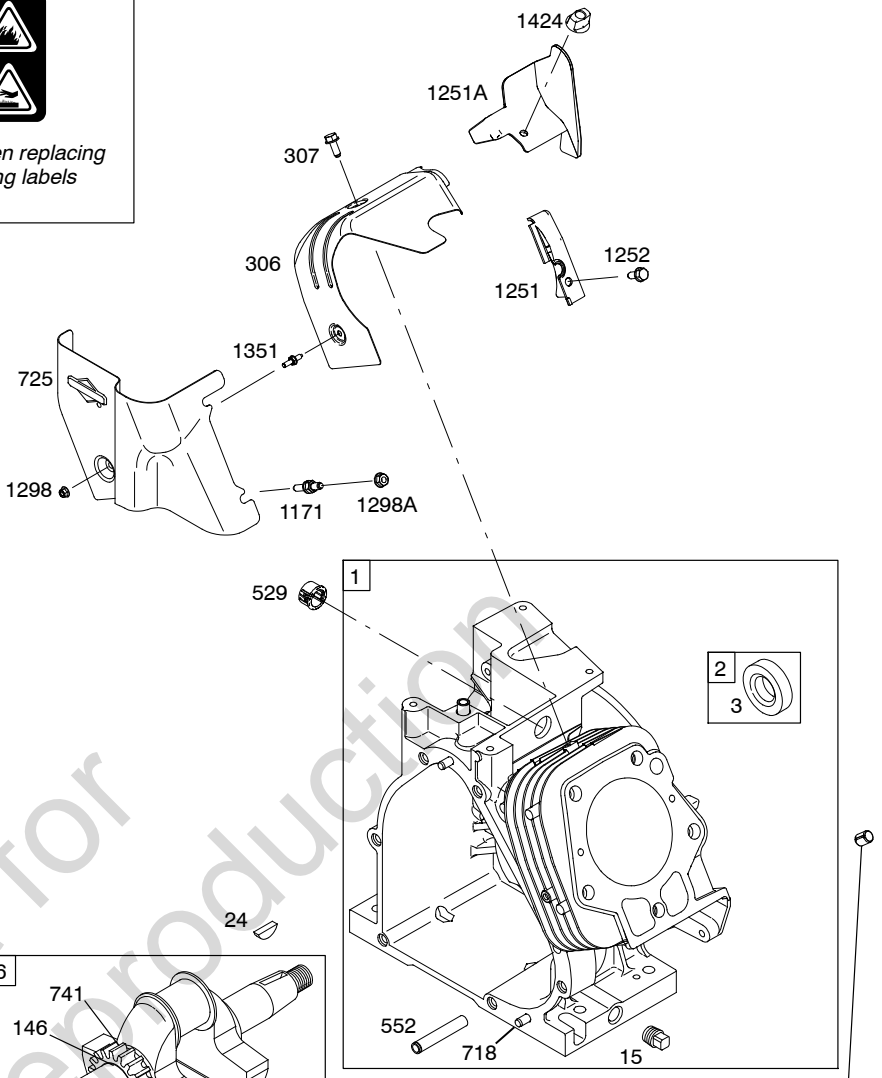
1319A WARNING LABEL

**REQUIRED** when replacing parts with warning labels affixed.

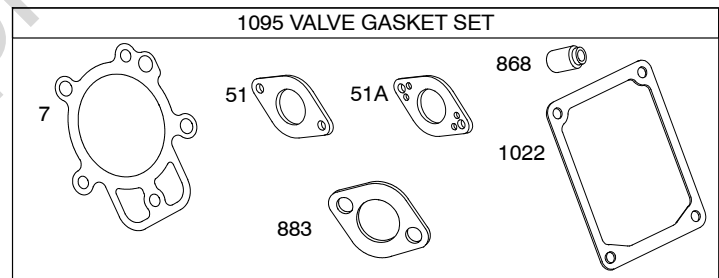
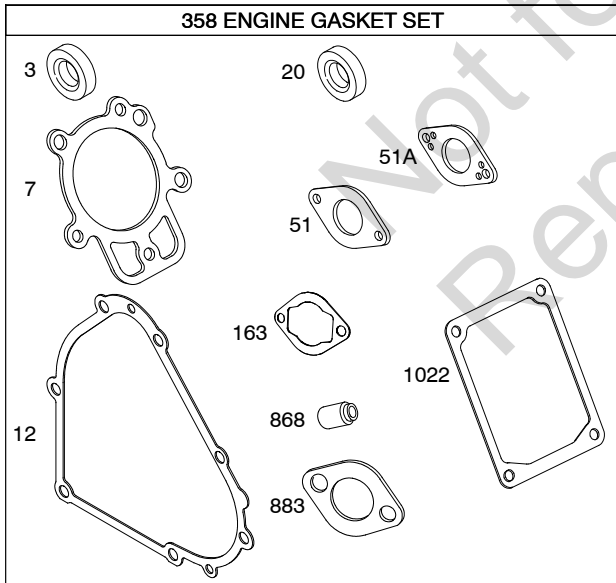
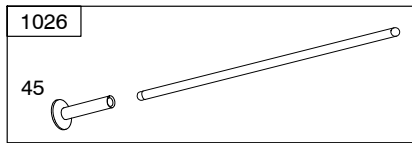
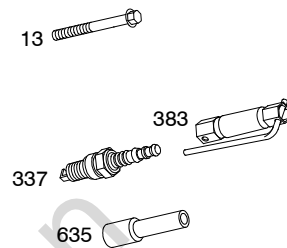
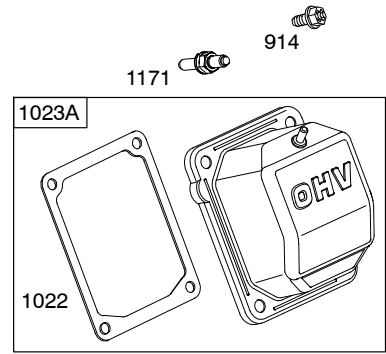
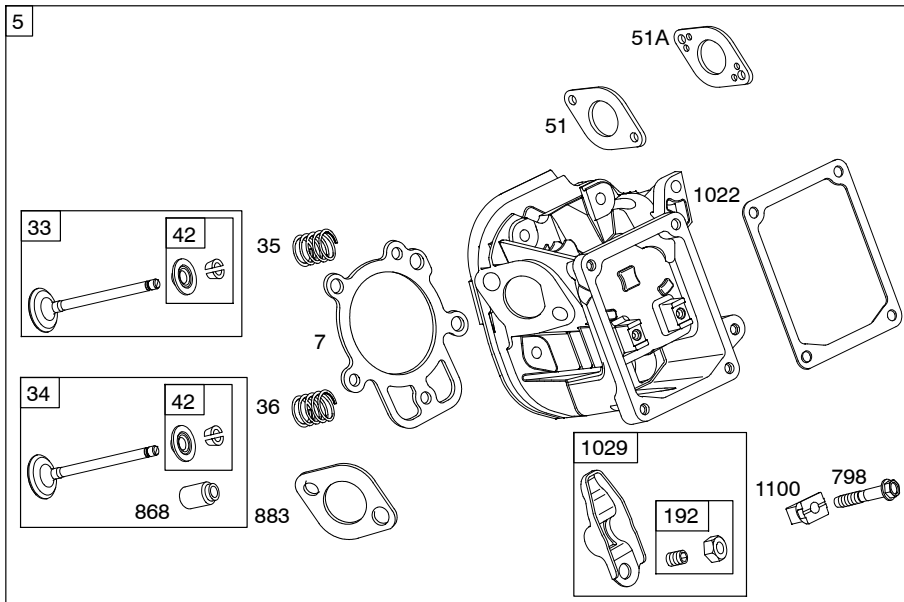
1036 EMISSIONS LABEL

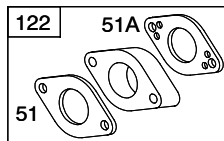
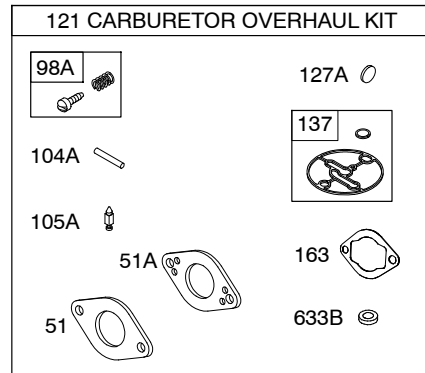
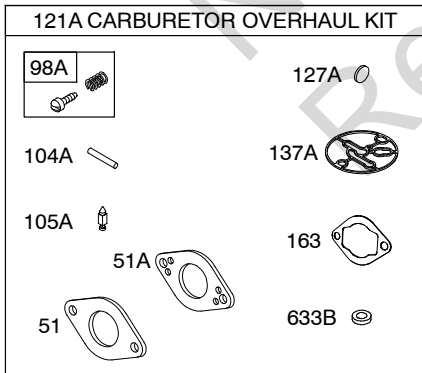
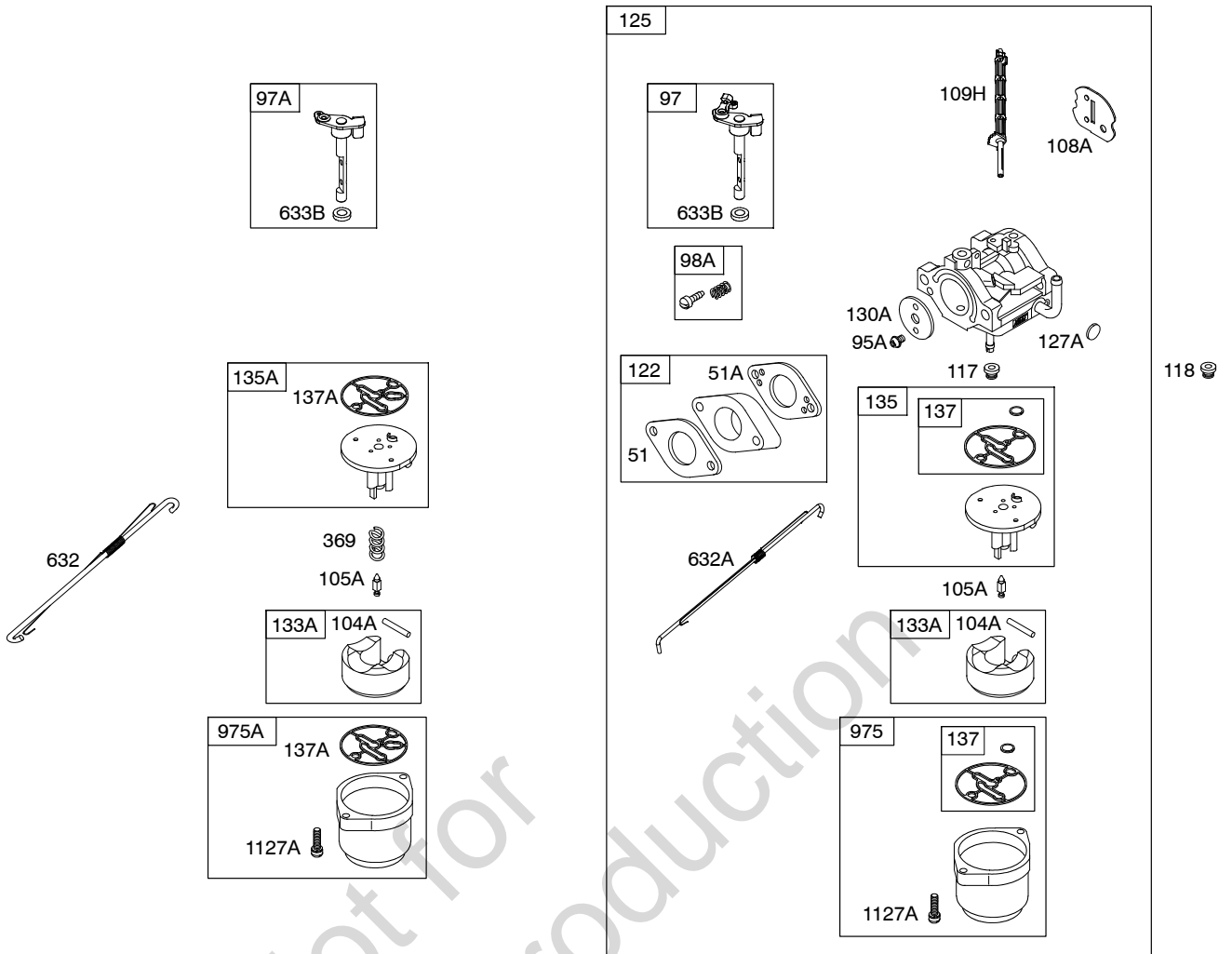
1058 OPERATOR'S MANUAL

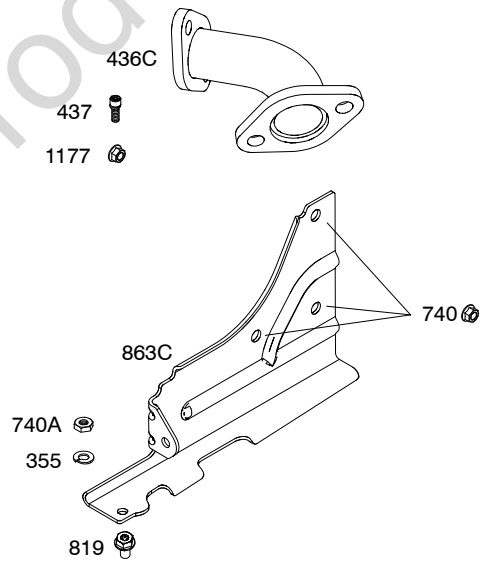
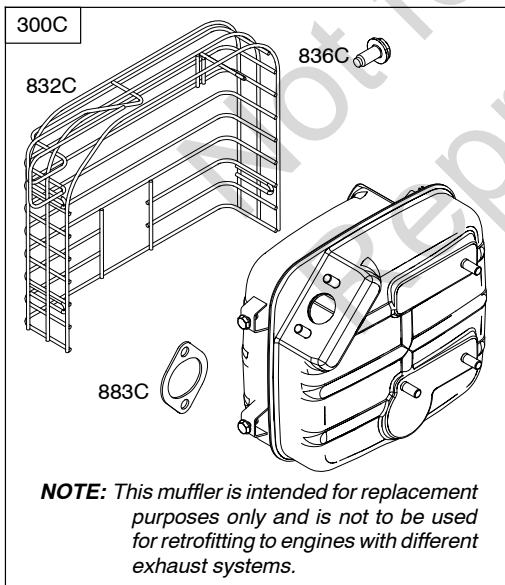
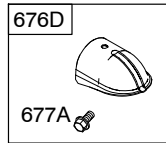
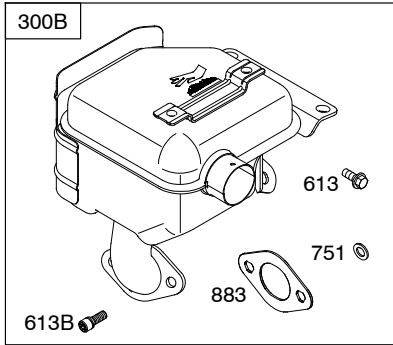
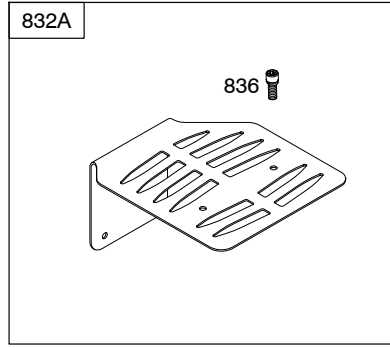
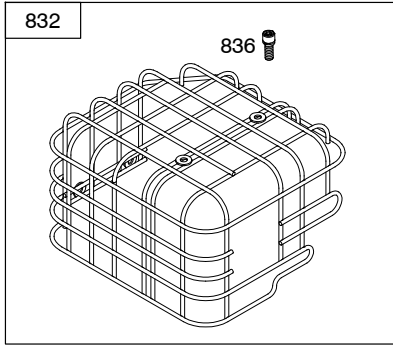
1330 REPAIR MANUAL






Illustrations cover a range of engines. Parts shown without corresponding text may not be used on your specific engine.  
 4270-2 Assemblies include all parts shown in frames. 03/15/2013

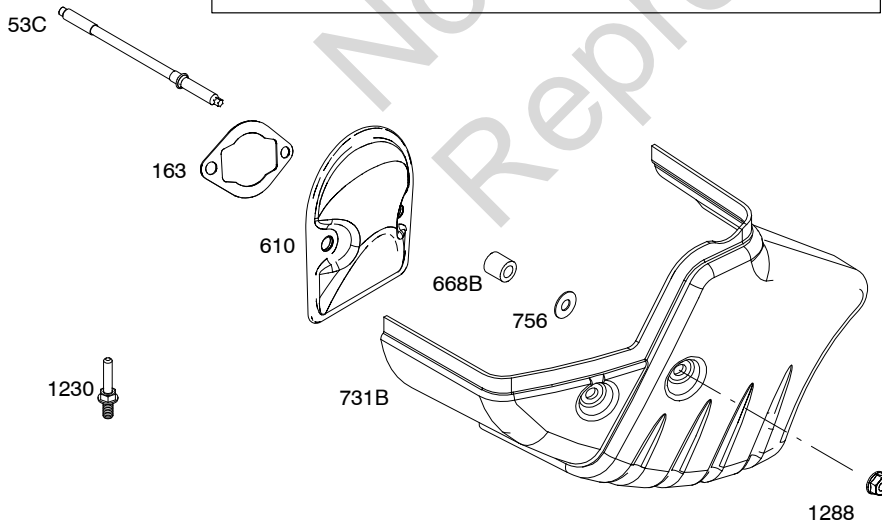
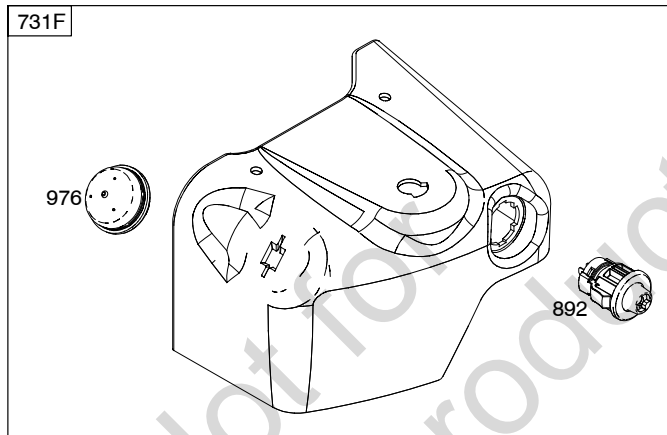
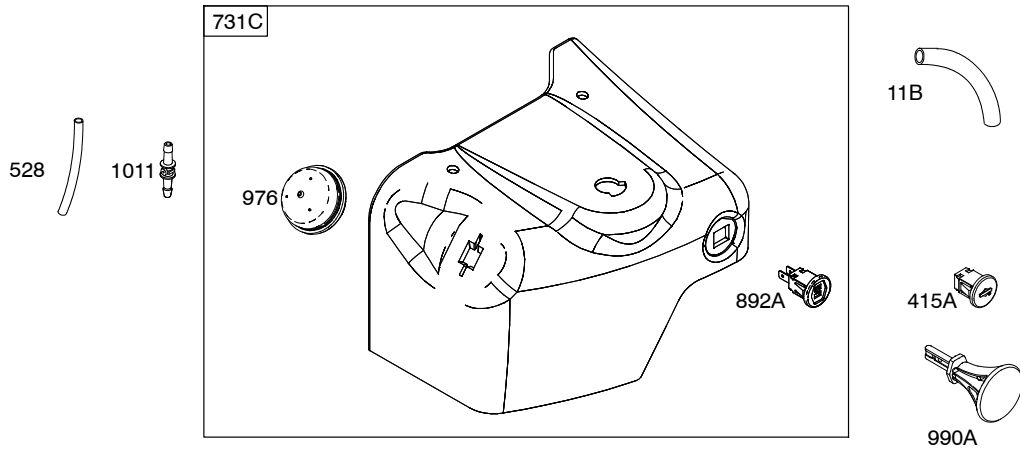




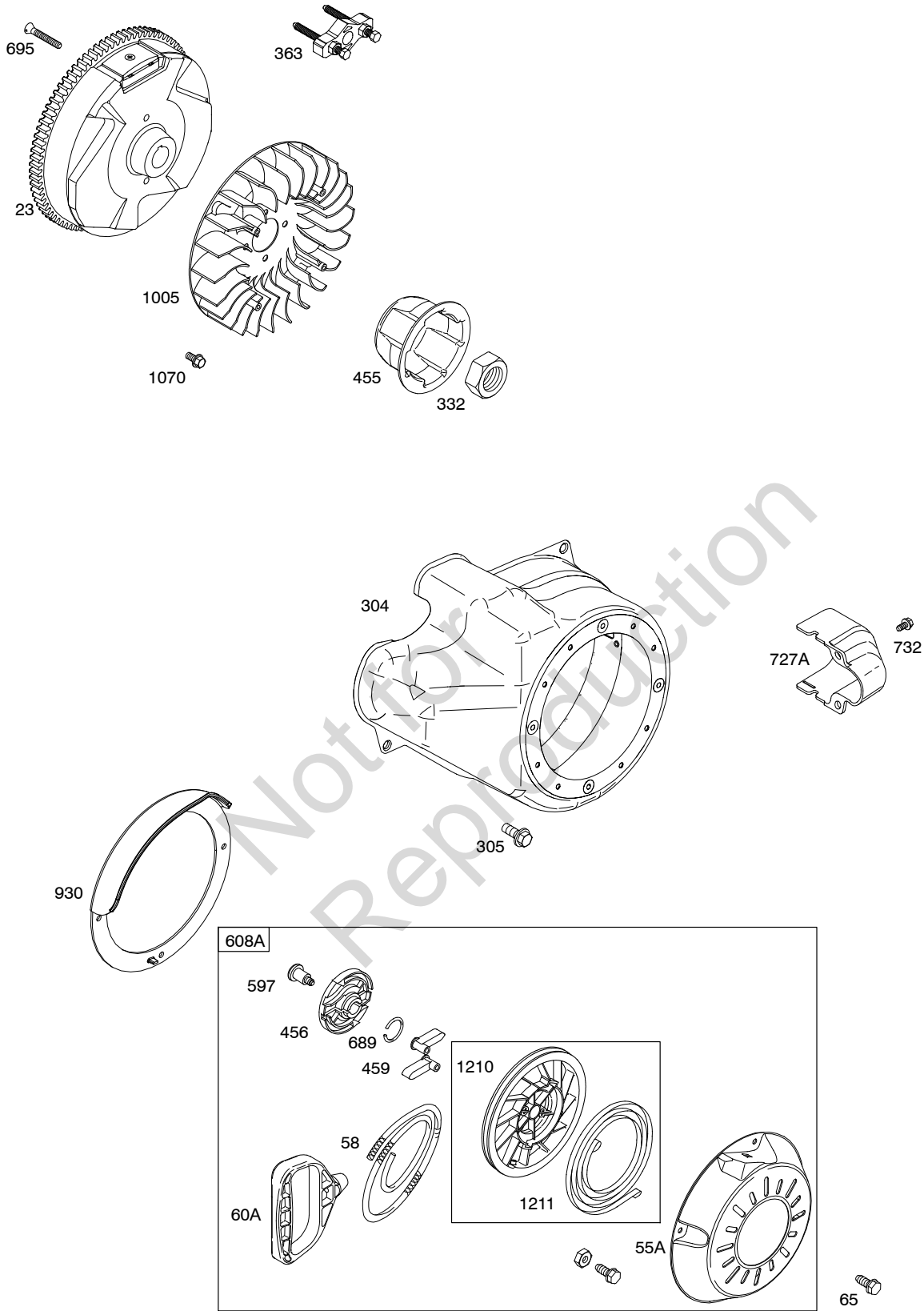


# 21M300

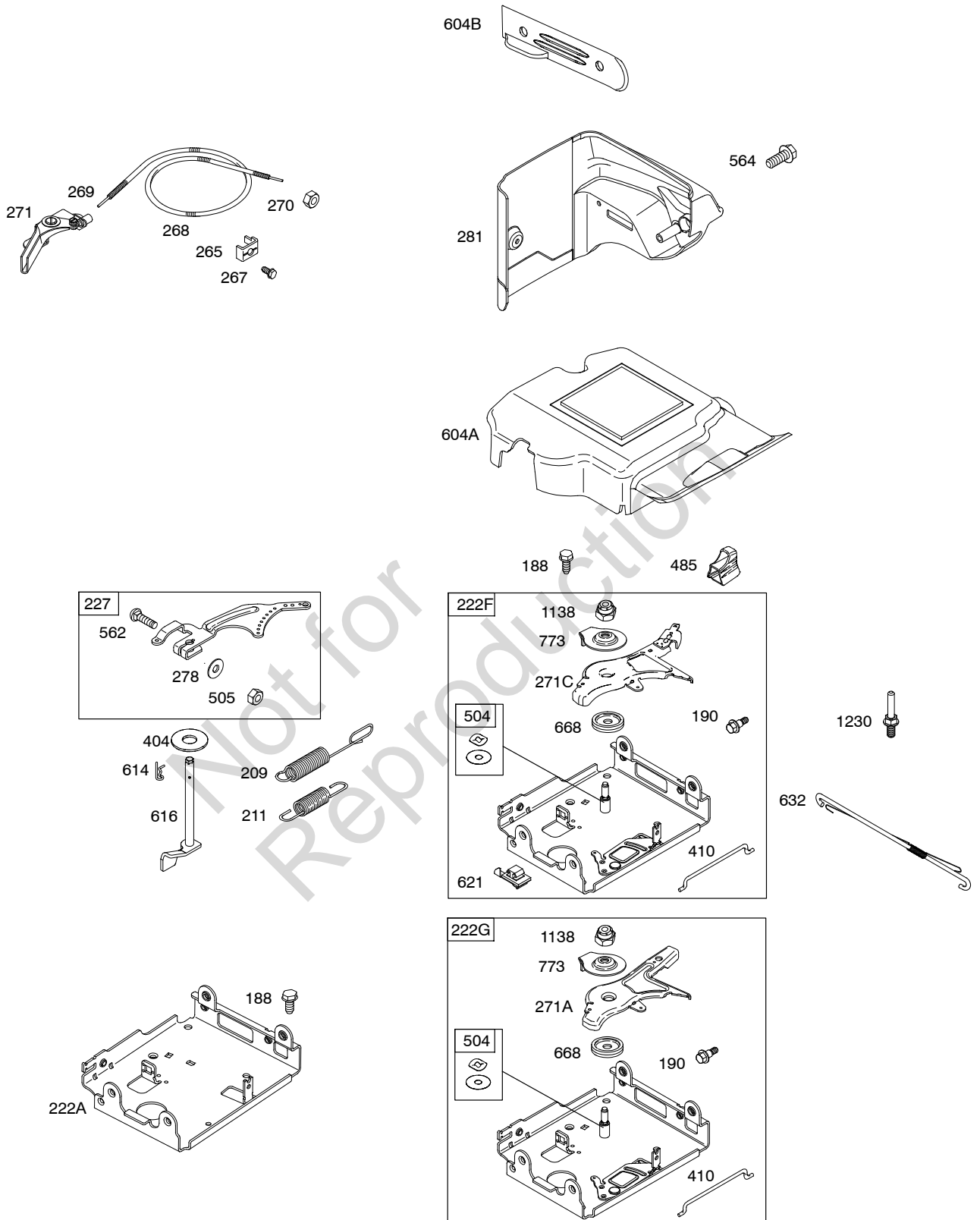
1196A  1196B  472C 



*Illustrations cover a range of engines. Parts shown without corresponding text may not be used on your specific engine.*  
4270-6 Assemblies include all parts shown in frames. 03/15/2013



Illustrations cover a range of engines. Parts shown without corresponding text may not be used on your specific engine.  
4270-7 Assemblies include all parts shown in frames. 03/15/2013



Illustrations cover a range of engines. Parts shown without corresponding text may not be used on your specific engine.  
 4270-8 Assemblies include all parts shown in frames. 03/15/2013

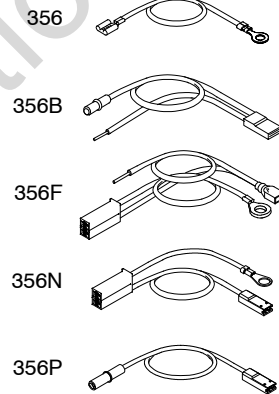
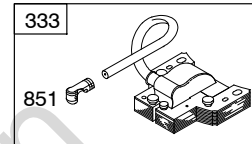
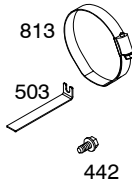
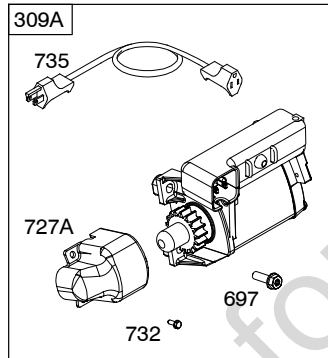
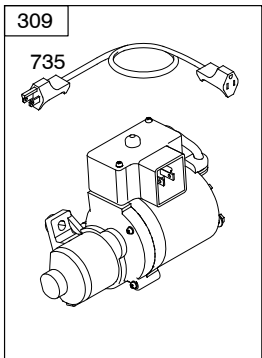


DUAL CIRCUIT	DUAL CIRCUIT	10-16 AMP	DC ONLY	AC ONLY	DUAL CIRCUIT
474B	474C	474D	474F	474G	474H
1119	526 501	526 501A	878	578A	347

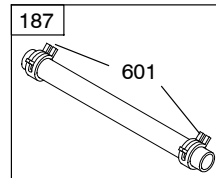
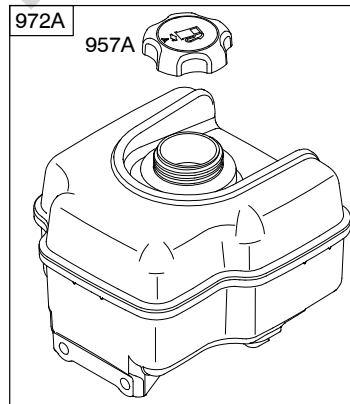
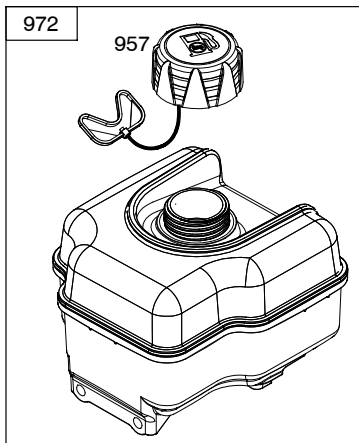
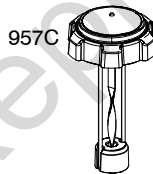
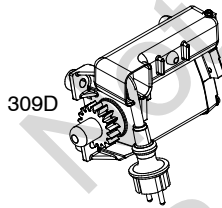
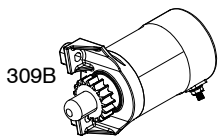
**NOTE:** The proper flywheel part number and/or the alternator magnet size will determine the alternator type or output. See repair instruction manual for additional information.

493A

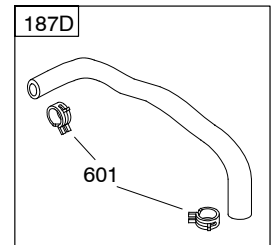
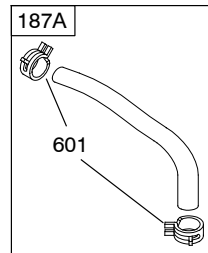
334



751



190



Illustrations cover a range of engines. Parts shown without corresponding text may not be used on your specific engine.  
 4270-9 Assemblies include all parts shown in frames. 03/15/2013

# 21M300

REF. NO.	PART NO.	DESCRIPTION	REF. NO.	PART NO.	DESCRIPTION	REF. NO.	PART NO.	DESCRIPTION
1	794850	Cylinder Assembly	23	794812	Flywheel	117	796080	Jet-Main (Standard)
2	698340	Kit-Bushing/Seal (Magneto Side)	24	222698s	Key-Flywheel			(Used After Code Date 08050600).
3	391086s	Seal-Oil (Magneto Side)	25	793318	Piston Assembly (Standard)			----- Note -----
5	799860	Head-Cylinder			793325 Piston Assembly (.020" Oversize)			696134 Jet-Main (Standard)
7	697690	Gasket-Cylinder Head						(Used Before Code Date 08050700).
11B	696750	Tube-Breather	26	793319	Ring Set (Standard)	118	796128	Jet-Main (High Altitude)
12	694953	Gasket-Crankcase			793324 Ring Set (.020" Oversize)			(Used After Code Date 08050600).
13	794829	Screw (Cylinder Head)						----- Note -----
15	691686	Plug-Oil Drain	27	690975	Lock-Piston Pin			696135 Jet-Main (High Altitude)
16	794716	Crankshaft Used on Type No(s). 0019, 0100, 0113, 0114, 0115, 0121, 0125, 0131, 0134, 0137, 0419, 0641, 2121, 3019.	28	696581	Pin-Piston			(Used Before Code Date 08050700).
		----- Note -----	29	694691	Rod-Connecting			
		794717 Crankshaft Used on Type No(s). 0123, 0132, 0133.	30	694692	Dipper-Connecting Rod	121	796137	Kit-Carburetor Overhaul
		794720 Crankshaft Used on Type No(s). 0017, 0110, 0111, 0117, 0118, 0119, 0122, 0126, 0127, 0129, 0135, 0136, 1355, 1384, 1470, 1475, 1476, 1478, 1481, 1483, 1600, 2470, 2476, 2481, 2483, 3017, 3475.	32	690976	Screw (Connecting Rod)	121A	696146	Kit-Carburetor Overhaul
		796143 Crankshaft Used on Type No(s). 0128, 0130.	33	697576	Valve-Exhaust	122	694876	Spacer-Carburetor
17	695434	Bearing-Ball	34	795199	Valve-Intake	125	796122	Carburetor
18	791965	Cover-Crankcase	35	694865	Spring-Valve (Intake)	127A	690727	Plug-Welch
		----- Note -----	36	694865	Spring-Valve (Exhaust)	130A	696139	Valve-Throttle
		791412 Cover-Crankcase Used on Type No(s). 0123.	42	499586	Keeper-Valve	133A	694914	Float-Carburetor
19	698340	Kit-Bushing/Seal (PTO Side)	45	690977	Tappet-Valve	135	698780	Tube-Fuel Transfer
20	391086s	Seal-Oil (PTO Side)	46	795697	Camshaft	135A	696142	Tube-Fuel Transfer
21	799857	Cap-Oil Fill	51	694874	Gasket-Intake	137	698781	Gasket-Float Bowl
22	794825	Screw (Crankcase Cover/Sump)	51A	694875	Gasket-Intake	137A	695426	Gasket-Float Bowl
			53C	795017	Stud (Carburetor)	146	690979	Key-Timing
			55A	696710	Housing-Rewind Starter	163	692277	Gasket-Air Cleaner
			58	693389	Rope-Starter (Cut To Required Length)	170	794833	Stud (Crankcase Cover/Sump)
			60A	699334	Grip-Starter Rope	187	791766	Line-Fuel (15 Inches Long) (Cut To Required Length)
			65	699851	Screw (Rewind Starter)	187A	791869	Line-Fuel
			95A	690718	Screw (Throttle Valve)	187D	791879	Line-Fuel
			97	796334	Shaft-Throttle	188	699479	Screw (Control Bracket)
			97A	696387	Shaft-Throttle	190	699220	Screw (Fuel Tank)
			98A	695408	Kit-Idle Speed	192	690083	Adjuster-Rocker Arm
			104A	694918	Pin-Float Hinge			
			105A	696136	Valve-Float Needle			
			108A	696143	Valve-Choke			
			109H	793520	Shaft-Choke			

Illustrations cover a range of engines. Parts shown without corresponding text may not be used on your specific engine.

# 21M300

REF. NO.	PART NO.	DESCRIPTION	REF. NO.	PART NO.	DESCRIPTION	REF. NO.	PART NO.	DESCRIPTION
209	694867	Spring-Governor ----- <b>Note</b> ----- <b>695491</b> Spring-Governor Used on Type No(s). 0100, 0110, 0111, 0117, 0136, 0641, 1384, 1475, 3475.	281	697268	Panel-Control	337	491055s	Plug-Spark ----- <b>Note</b> ----- <b>691043</b> Plug-Spark Used on Type No(s). 0100, 0110, 0111, 0117, 0123, 0128, 0130, 0132, 0133, 0137, 1384, 1475, 1476.
211	695307	Spring-Governed Idle	287	699234	Screw (Dipstick Tube)			
219	693578	Gear-Governor	300B	794948	Muffler			
220	691724	Washer (Governor Gear)	300C	793701	Muffler (This muffler is intended for replacement purposes only and is not to be used for retrofitting to engines with different exhaust systems)			
222A	794801	Bracket-Control Used on Type No(s). 0100, 0110, 0111, 0117, 0136, 0641, 1384, 1475, 3475.	304	591545	Housing-Blower (Used After Code Date 12012300) ----- <b>Note</b> ----- <b>795699</b> Housing-Blower (Used Before Code Date 12012400)			
222F	794800	Bracket-Control	305	699481	Screw (Blower Housing)	347	795333	Switch-Rocker
222G	795848	Bracket-Control Used on Type No(s). 0133.	306	697240	Shield-Cylinder	355	794842	Washer (Muffler Bracket)
227	694864	Lever-Governor Control	307	794822	Screw (Cylinder Shield)	356	695630	Wire-Stop
240	394358s	Filter-Fuel	309	591036	Motor-Starter (Used After Code Date 12052000)	356B	699340	Wire-Stop
265	691024	Clamp-Casing	309A	795909	Motor-Starter (Used Before Code Date 12052100)	356F	793206	Wire-Stop
267	699492	Screw (Casing Clamp)	309B	698162	Motor-Starter Used on Type No(s). 0115, 0123, 0125, 0131, 0133.	356N	798847	Wire-Stop
268	691025	Casing-Control Wire (Cut To Required Length)	309D	792157	Motor-Starter Used on Type No(s). 0113, 0122, 0129, 0130, 0134, 0137, 0419, 1384, 1475, 1478, 3475.	356P	795849	Wire-Stop
269	691026	Wire-Control (Cut To Required Length)	332	794824	Nut (Flywheel)	358	795201	Gasket Set-Engine
270	691027	Nut (Control Wire Casing)	333	492341	Armature-Magneto	363	19203	Puller-Flywheel
271	691028	Lever-Control	334	699477	Screw (Magneto Armature)	369	695422	Spring-Float Bowl (Used Before Code Date 08050700).
271A	695381	Lever-Control Used on Type No(s). 0133.				383	19576s	Wrench-Spark Plug
271C	797554	Lever-Control				404	795759	Washer (Governor Crank)
278	798196	Washer (Governor Control Lever) (Used After Code Date 09101800). ----- <b>Note</b> ----- <b>792008</b> Washer (Governor Control Lever) (Used Before Code Date 09101900).				410	695382	Link-Control
						415	691363	Plug
						415A	699337	Plug
						415C	693463	Plug
						436C	792374	Manifold-Exhaust
						437	794844	Screw (Exhaust Manifold)
						442	790282	Screw (Starter Strap)
						455	795011	Cup-Flywheel
						456	692299	Plate-Pawl Friction
						459	281505s	Pawl-Ratchet
						472C	791948	Knob-Choke Shaft

Illustrations cover a range of engines. Parts shown without corresponding text may not be used on your specific engine.

# 21M300

REF. NO.	PART NO.	DESCRIPTION	REF. NO.	PART NO.	DESCRIPTION	REF. NO.	PART NO.	DESCRIPTION
474B	793118	Alternator Used on Type No(s). 0641, 1355, 1384. ----- <b>Note</b> ----- <b>696742</b> Alternator Used on Type No(s). 0017, 0019, 3017, 3019.	505	793515	Nut (Governor Control Lever) (Used After Code Date 09101800). ----- <b>Note</b> ----- <b>691251</b> Nut (Governor Control Lever) (Used Before Code Date 09101900).	562	798197	Bolt (Governor Control Lever) (Used After Code Date 09101800). ----- <b>Note</b> ----- <b>793216</b> Bolt (Governor Control Lever) (Used Before Code Date 09101900).
474C	698314	Alternator Used on Type No(s). 0118, 0119, 0122, 0126, 0127, 0129, 0136, 0419.	523	790477	Dipstick ----- <b>Note</b> ----- <b>695344</b> Dipstick Used on Type No(s). 0017, 0019, 0118, 0119, 0122, 0123, 0126, 0127, 0128, 0129, 0130, 0132, 0133, 0135, 1355, 1470, 1478, 1481, 1483, 1600, 2470, 2481, 2483, 3017, 3019.	564	699854	Screw (Control Cover)
474D	695466	Alternator (10-16 Amp Regulated) Used on Type No(s). 0115, 0123, 0125, 0131, 0133.	524	691876	Seal-Dipstick Tube	578A	792576	Wire Assembly
474F	793640	Alternator Used on Type No(s). 0128, 0130, 0132.	525	792041	Tube-Dipstick ----- <b>Note</b> ----- <b>695343</b> Tube-Dipstick Used on Type No(s). 0017, 0019, 0118, 0119, 0122, 0123, 0126, 0127, 0128, 0129, 0130, 0132, 0133, 0135, 1355, 1470, 1478, 1481, 1483, 1600, 2470, 2481, 2483, 3017, 3019.	597	691696	Screw (Pawl Friction Plate)
474G	797090	Alternator Used on Type No(s). 0110, 0113, 0114, 0117, 0121, 0134, 0135, 0137, 1470, 1475, 1476, 1478, 1481, 1483, 1600, 2121, 2470, 2476, 2481, 2483, 3475.	526	690297	Screw (Regulator)	601	791850	Clamp-Hose
474H	698230	Alternator Used on Type No(s). 0111.	528	793006	Hose-Primer (Cut to Required Length)	604A	696758	Cover-Control
485	695755	Knob-Control	529	791822	Grommet	604B	790473	Cover-Control
493A	691177	Bracket-Mounting	552	694674	Bushing-Governor Crank	608A	699335	Starter-Rewind
501	845907	Regulator Used on Type No(s). 0115, 0123, 0125, 0131, 0133.				610	794541	Arrester-Intake
501A	698315	Regulator Used on Type No(s). 0118, 0119, 0122, 0126, 0127, 0129, 0419.				613	794846	Screw (Muffler)
503	691532	Strap-Starter				613B	794844	Screw (Muffler)
504	695383	Washer Set-Friction				614	691620	Pin-Cotter (Governor Crank)
						616	795758	Crank-Governor
						621	692310	Switch-Stop
						632	695917	Spring/Link- Mechanical Governor (Used Before Code Date 08050700).
						632A	796324	Spring/Link- Mechanical Governor (Used After Code Date 08050600).
						633B	690998	Seal-Choke/Throttle Shaft
						635	691909	Boot-Spark Plug (Alternator)
						668	694257	Spacer (Control Bracket)
						668B	794539	Spacer (Snow Hood)
						676D	794213	Deflector-Muffler
						677A	699776	Screw (Muffler Deflector)

Illustrations cover a range of engines. Parts shown without corresponding text may not be used on your specific engine.  
4270-12 Assemblies include all parts shown in frames. 03/15/2013

# 21M300

REF. NO.	PART NO.	DESCRIPTION	REF. NO.	PART NO.	DESCRIPTION	REF. NO.	PART NO.	DESCRIPTION
689	691855	Spring-Friction	842	795015	Seal-O Ring (Dipstick Tube)	930	696709	Guard-Rewind
695	698807	Screw (Ring Gear)			----- Note -----	957	799719	Cap-Fuel Tank (Plastic)
697	795012	Screw (Drive Cap)			691031 Dipstick/Tube Assembly	957A	792647	Cap-Fuel Tank (Plastic) (Fresh Start)
718	690959	Pin-Locating (Cylinder)			Used on Type No(s). 0017, 0019, 0118, 0119, 0122, 0123, 0126, 0127, 0128, 0129, 0130, 0132, 0133, 0135, 1355, 1470, 1478, 1481, 1483, 1600, 2470, 2481, 2483, 3017, 3019.	957C	698109	Cap-Fuel Tank
718A	695178	Pin-Locating (Head)				958	698180	Valve-Fuel Shut Off (Plastic)
725	696756	Shield-Heat				972	799863	Tank-Fuel (Plastic)
727A	697465	Cover-Starter Drive				972A		Tank-Fuel (Plastic) (No Longer Available) (For Replacement, Order Reference 972)
731B	794540	Hood-Snow	847	790476	Dipstick/Tube Assembly			
731C	793621	Hood-Snow			----- Note -----	975	698783	Bowl-Float (Used After Code Date 08050600).
731F	798874	Hood-Snow Used on Type No(s). 0118, 0119, 0122, 0126, 0127, 0129, 2121.			695342 Dipstick/Tube Assembly	975A	696138	Bowl-Float (Used Before Code Date 08050700).
732	699200	Screw (Starter Drive Cover)			Used on Type No(s). 0017, 0019, 0118, 0119, 0122, 0123, 0126, 0127, 0128, 0129, 0130, 0132, 0133, 0135, 1355, 1470, 1478, 1481, 1483, 1600, 2470, 2481, 2483, 3017, 3019.	976	793382	Primer-Carburetor
735	795901	Cord-Starter				990A	794696	Key Set
740	710090	Nut (Muffler Bracket)				998A	696683	Pipe-Oil ----- Note -----
740A	794843	Nut (Muffler Bracket)						792928 Pipe-Oil Used on Type No(s). 0132, 0135, 1355, 1384, 1470, 1475, 1476, 1478, 1481, 1483, 1600, 2470, 2476, 2481, 2483, 3475.
741	691288	Gear-Timing	851	692424	Terminal-Spark Plug	1005	794815	Fan-Flywheel
742	692564	Retainer-E Ring	863C	793700	Bracket-Muffler	1011	794544	Tube-Vent
746	694679	Gear-Idler	868	794086	Seal-Valve	1022	690971	Gasket-Rocker Cover
751	794839	Washer (Stop Wire)	878	398661	Wire/Connector- Alternator	1023A	698042	Cover-Rocker
756	794839	Washer (Snow Hood)	883	695398	Gasket-Exhaust	1026	592673	Rod-Push
773	694258	Retainer	883C	710250	Gasket-Exhaust	1029	690972	Arm-Rocker
798	697890	Screw (Rocker Arm)	892	798182	Switch-Key Used on Type No(s). 0118, 0119, 0122, 0126, 0127, 0129, 0419.	1036		Label-Emissions (Available From A Briggs & Stratton Authorized Dealer)
813	690635	Clamp	892A	791944	Switch-Key	1058	279128	Manual Operator's
819	794832	Screw (Muffler Bracket)	914	794827	Screw (Rocker Cover)			
832	796384	Guard Muffler						
832A	797095	Guard Muffler						
832C	792380	Guard-Muffler						
836	699234	Screw (Muffler Guard)						
836C	710023	Screw (Muffler Guard)						

Illustrations cover a range of engines. Parts shown without corresponding text may not be used on your specific engine.



Not for  
Reproduction

Not for  
Reproduction

