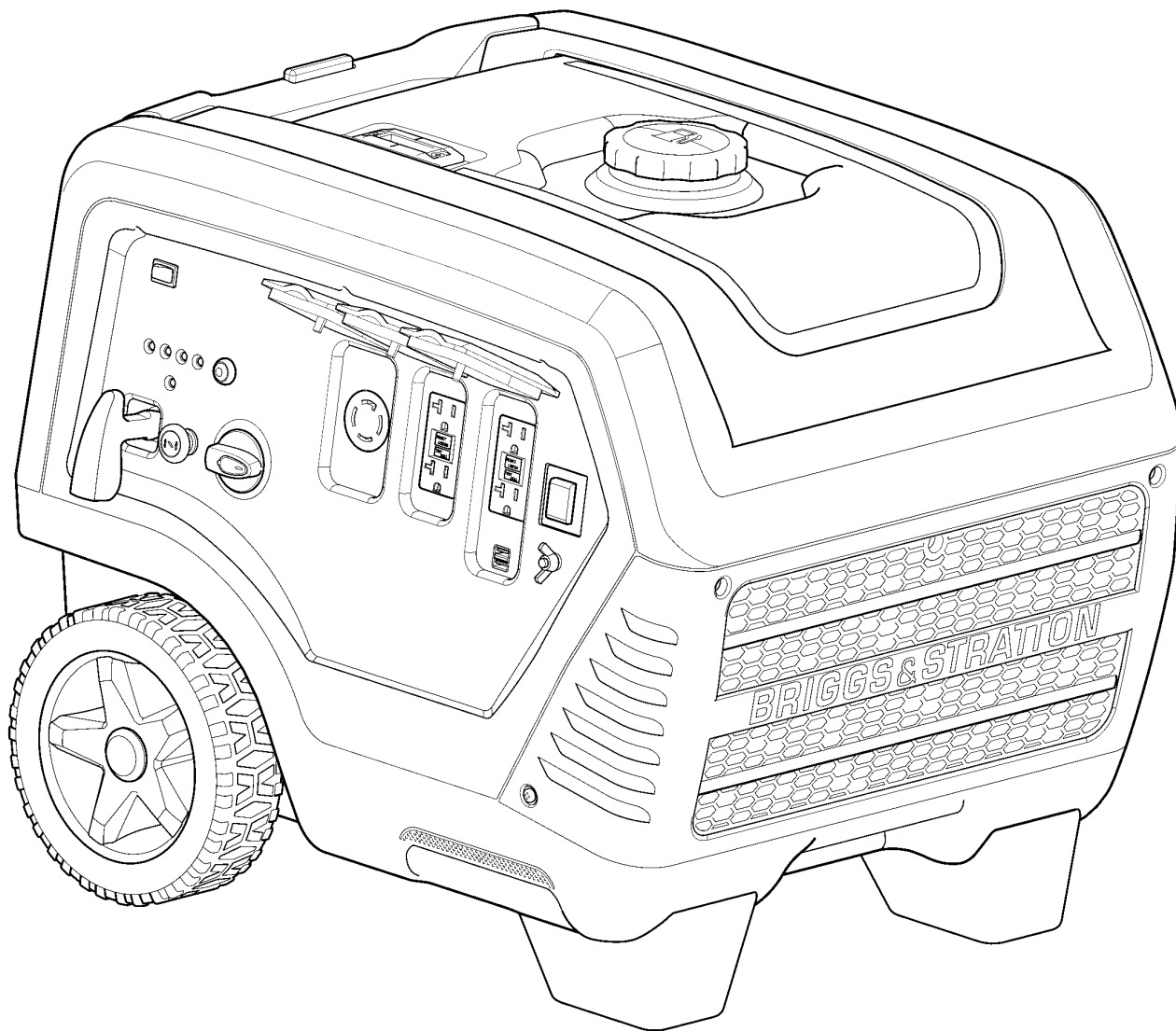


# Parts Manual

Mfg. No: 030675-00  
6,500 Watt B & S Inverter





---

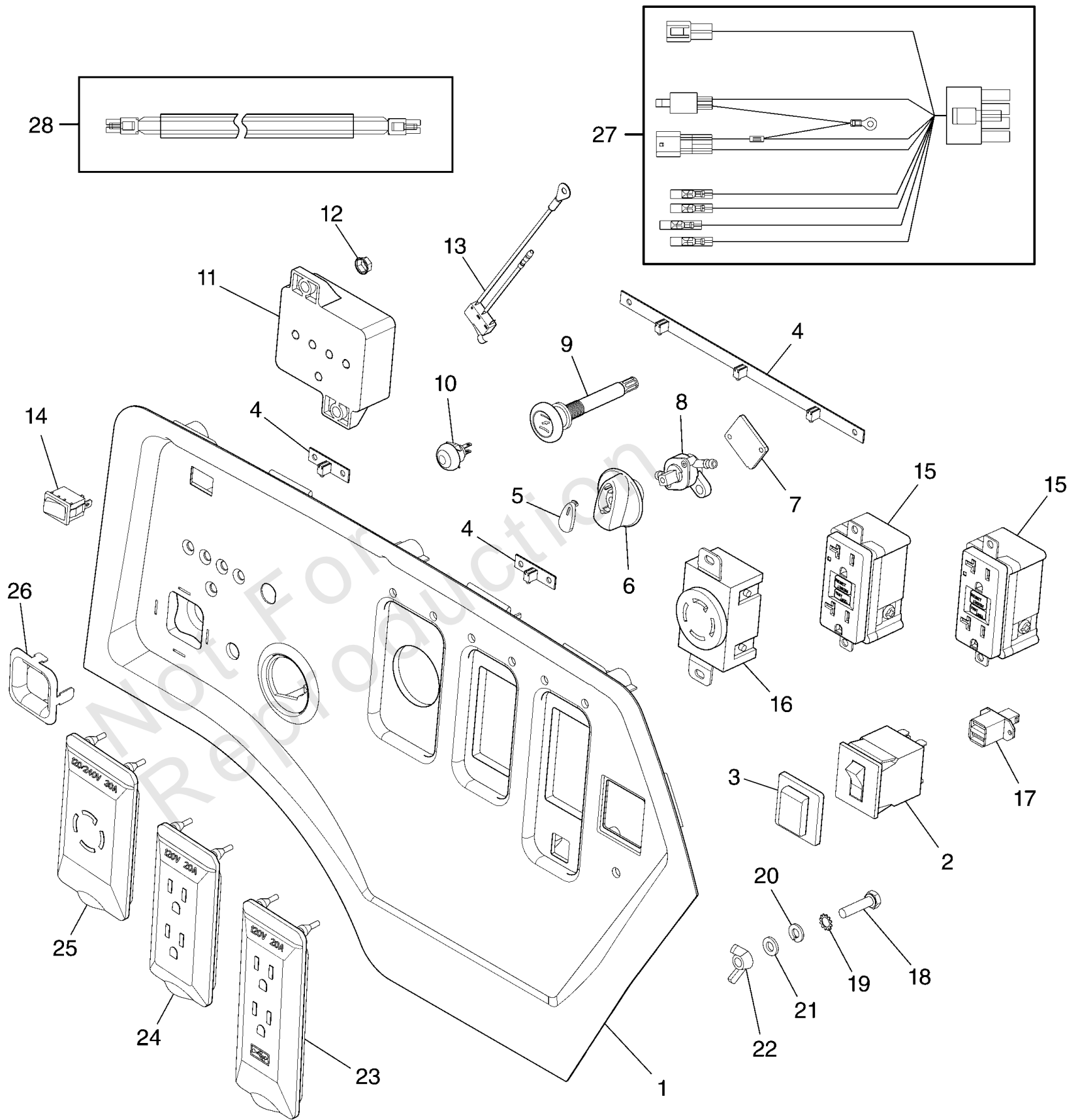
<b>Model Components</b>	<b>Page</b>
Control Panel (80024631).....	4
Main Unit (80024630).....	6
Wiring Diagram (80021014wd).....	10
Wiring Schematic (80021014ws).....	12
Torque Specification Chart.....	14

Not For  
Reproduction

# Control Panel (80024631)

Note: Unless noted otherwise, use the standard torque specifications

Mfg. No: 030675-00



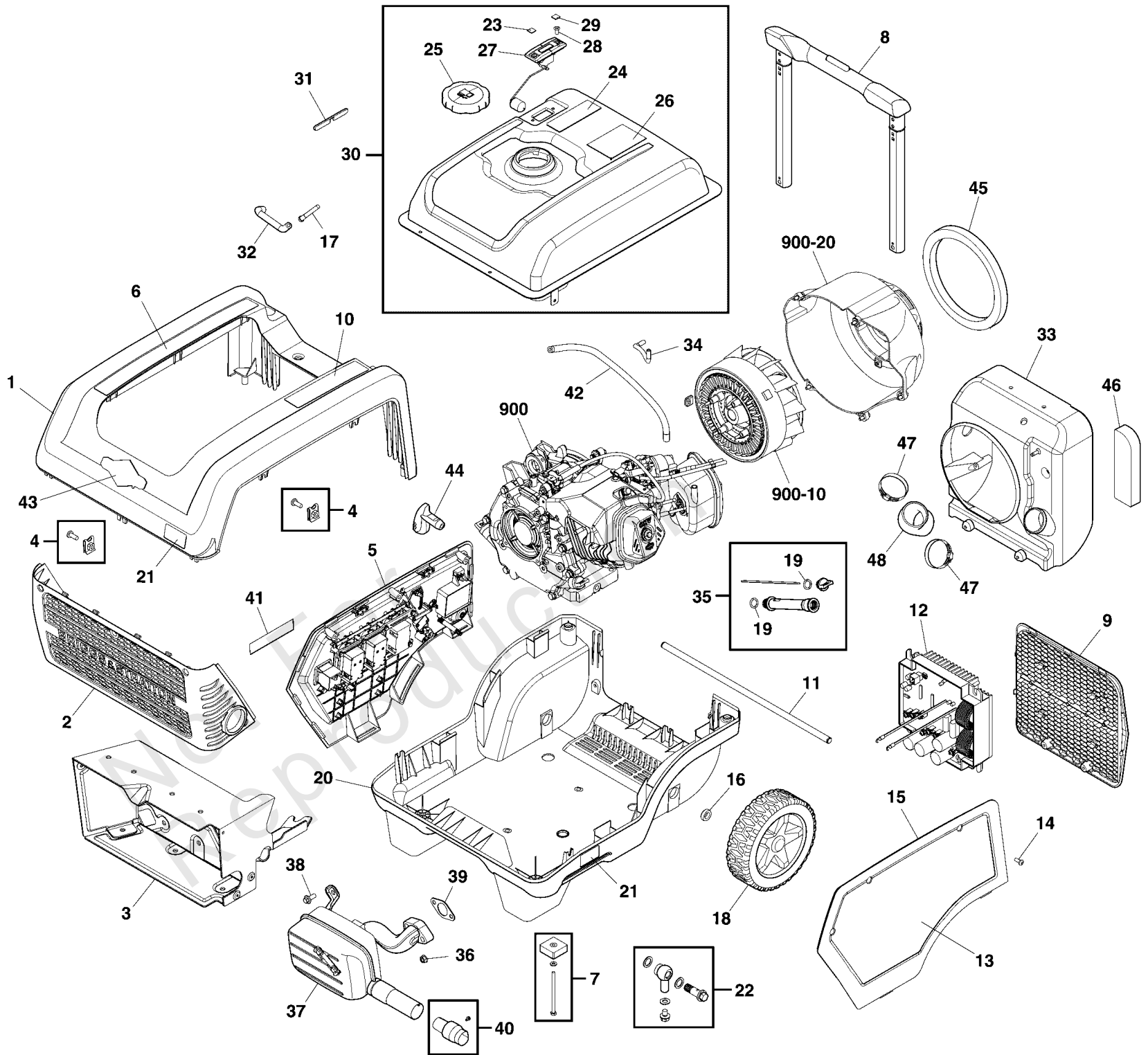
## Control Panel (80024631)

REF NO	PART NO	QTY	DESCRIPTION
1	707216		PANEL-CONTROL
2	704197		BREAKER-CIRCUIT
3	191481GS		BOOT, Breaker Circuit
4	706437		ASSY-LED -(Assembly Includes 5 LED's and Wiring)
5	311377GS		COVER
6	707223		KNOB
7	706790		COVER
8	311384GS		VALVE-FUEL
9	707303		CHOKE
10	706558		SWITCH-PUSHBUTTON
11	706318		MODULE
12	189165GS		PUSHNUT
13	707309		SWITCH-MICRO
14	311442GS		SWITCH
15	709526		OUTLET-GFCI
16	312689GS		OUTLET
17	706438		PORT-USB
18	189156GS		BOLT
19	26850GS		WASHER-SHAKEPROOF, M6
20	70005GS		WASHER-LOCK
21	70007GS		WASHER-M6
22	87680GS		WING NUT
23	706582		COVER-OUTLET
24	706822		COVER-OUTLET
25	706897		COVER-OUTLET
26	707225		COVER-ROPE
27	707238		WIRE-HARNESS, CPNL
28	707245		WIRE-HARNESS, DATA

# Main Unit (80024630)

Note: Unless noted otherwise, use the standard torque specifications

Mfg. No: 030675-00



## Main Unit (80024630)

REF NO	PART NO	QTY	DESCRIPTION
1	706104		HOUSING-TOP -(Includes Items 6, 10, 21 & 43)
2	706032		GRILLE
3	706053		HEAT SHIELD
4	705995		KIT-NUT
5	-		Non-Service Part -(See Control Panel View)
6	706270		DECAL
7	707434		MOUNT-VIBRATION
8	706268		HANDLE
9	706138		GRILL-REAR
10	706052		DECAL
11	706282		AXLE
12	706269		MODULE-INVERTER
13	706221		DECAL
14	91526GS		MACHINE SCREW, Phillips Pn Hd
15	706135		COVER-SIDE -(Includes Item 13)
16	705994		SPACER
17	707462		FILTER
18	706319		WHEEL
19	797327		Seal-O Ring
20	706105		HOUSING-BOTTOM
21	706577		DECAL
22	707460		OIL DRAIN
23	313461GS		FILTER-SCREEN
24	709667		DECAL
25	319587GS		CAP-FUEL
26	202997GS		DECAL, Warning, CO
27	705996		GAUGE-FUEL
28	314440GS		SCREW
29	313462GS		DECAL
30	706316		TANK FUEL
31	707435		SEAL
32	707436		HOSE-FUEL
33	706540		HOLDER-INVERTER
34	707456		HOSE-VAPOR
35	707461		ASSY-OIL FILL
36	590965		Nut
37	706317		MUFFLER
38	707459		BOLT
39	797770		Gasket-Exhaust
40	790153		Arrestor-Spark
41	707458		DECAL
42	707457		HOSE-FUEL
43	707463		DECAL
44	707586		HANDLE-STARTER
45	707640		SEAL-FOAM

### Footnotes:

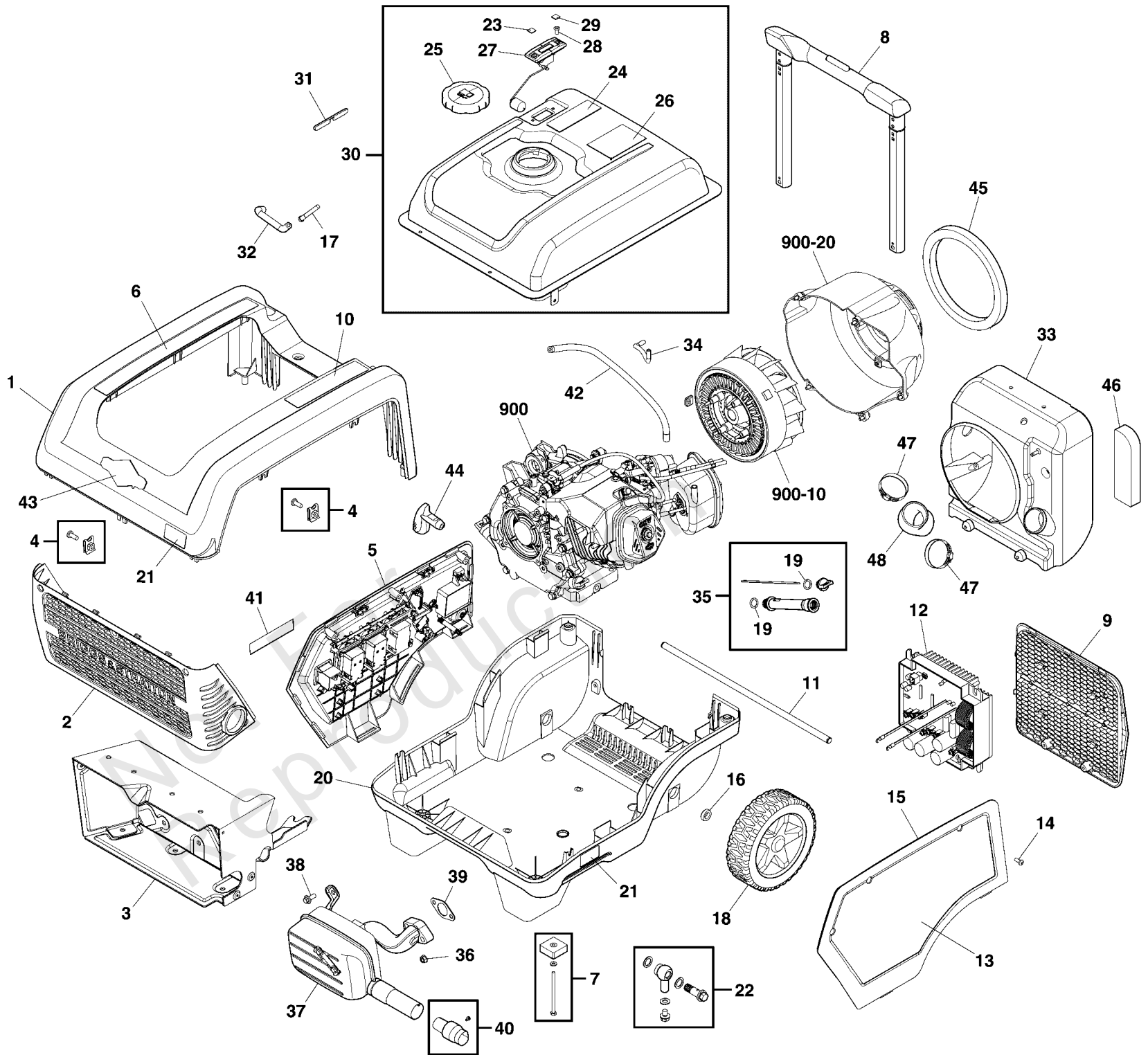
Note:\* Not Serviced Separately.

Note:\* To verify your specific engine model, please reference the ID Tag located on your engine. See your local Briggs & Stratton distributor for parts and service.

# Main Unit (80024630)

Note: Unless noted otherwise, use the standard torque specifications

Mfg. No: 030675-00





## Main Unit (80024630)

REF NO	PART NO	QTY	DESCRIPTION
46	596106		AIR FILTER
47	590392		Clamp
48	596700		TUBE-AIR INTAKE
900	19N236-0001-G1		** ENGINE -*Includes items 900, 900-10 and 900-20
900-10	-		**ALTERNATOR
900-20	-		**COVER
--	707650		FUNNEL -(Item Not Illustrated)
--	100005		OIL-4 CYCLE 30W 18OZ. -(Item Not Illustrated)

Not For  
Reproduction

---

**Footnotes:**

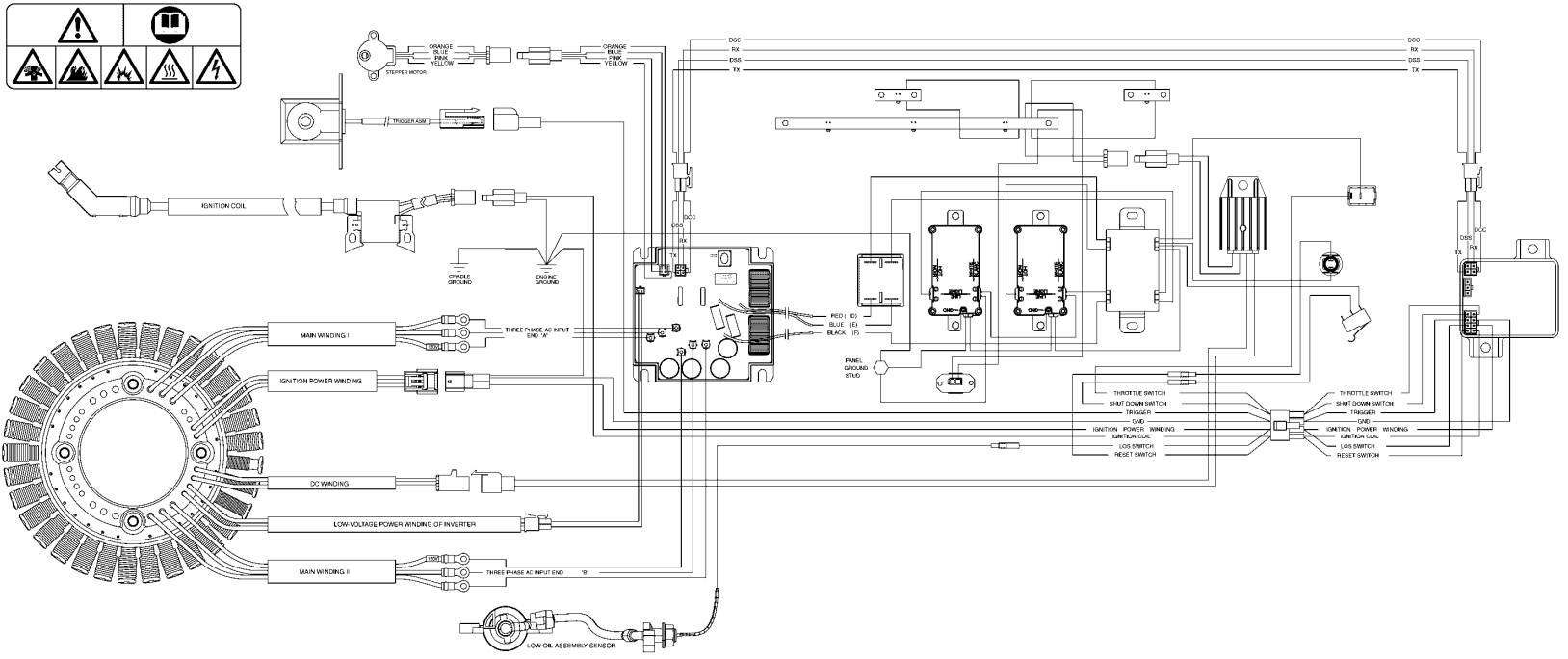
Note:\* Not Serviced Separately.

Note:\* To verify your specific engine model, please reference the ID Tag located on your engine. See your local Briggs & Stratton distributor for parts and service.

# Wiring Diagram (80021014wd)

Note: Unless noted otherwise, use the standard torque specifications

Mfg. No: 030675-00



Not For  
Reproduction

## Wiring Diagram (80021014wd)

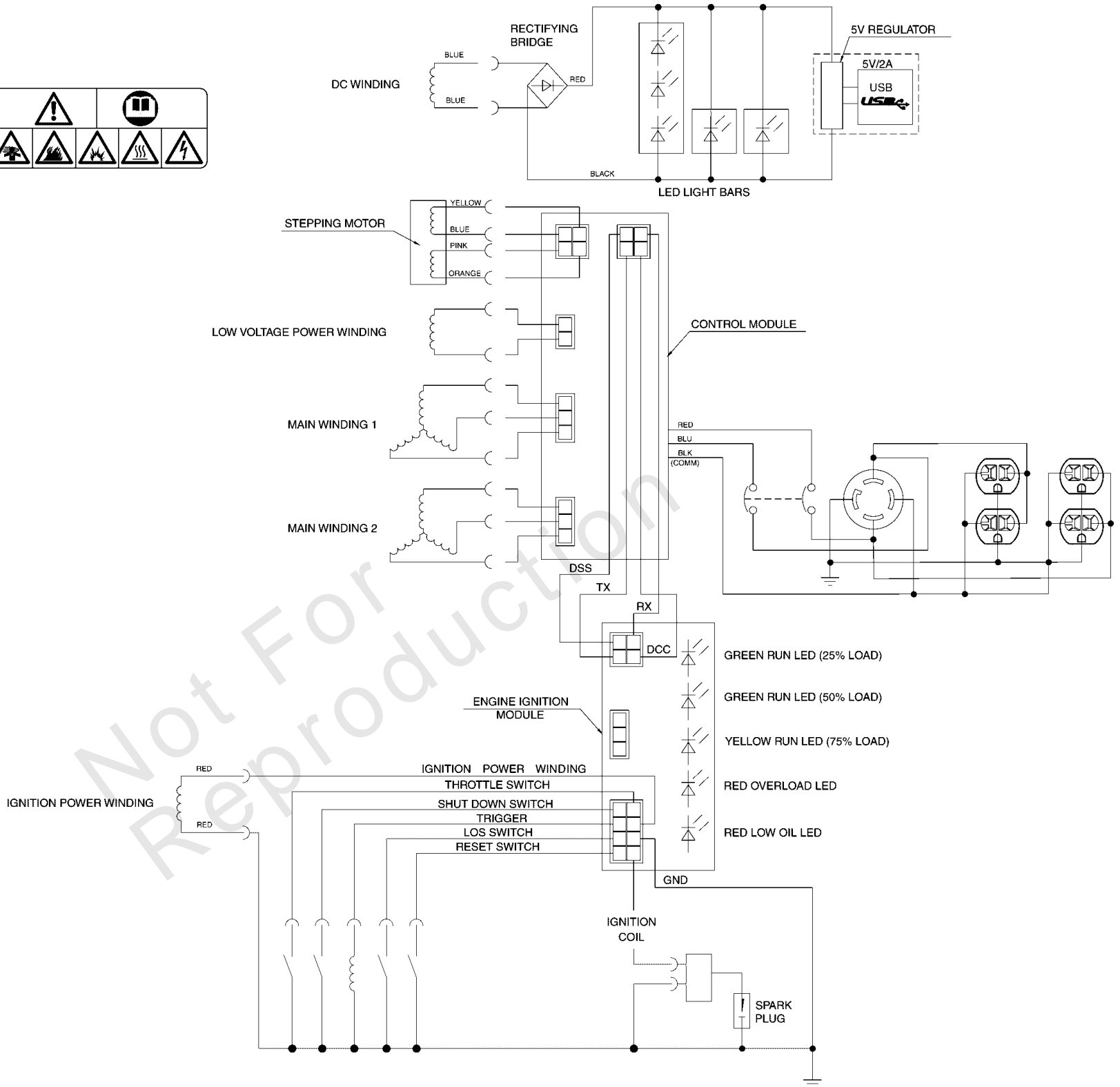
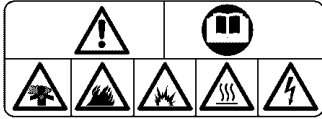
REF NO	PART NO	QTY	DESCRIPTION
--	-		Wiring Diagram Only
--	WARNING		Warning Generator Voltage Could Cause Electrical Shock Or Burn Resulting In Death Or Serious Injury. To Avoid Electrical Shock Or Burn Hazard, Please Refer Service To Qualified Personnel.

Not For  
Reproduction

# Wiring Schematic (80021014ws)

Note: Unless noted otherwise, use the standard torque specifications

Mfg. No: 030675-00



## Wiring Schematic (80021014ws)

REF NO	PART NO	QTY	DESCRIPTION
--	-		Wiring Schematic Only
--	WARNING		Warning Generator Voltage Could Cause Electrical Shock Or Burn Resulting In Death Or Serious Injury. To Avoid Electrical Shock Or Burn Hazard, Please Refer Service To Qualified Personnel.

Not For  
Reproduction

# Hardware Identification & Torque Specifications

Torque Specification Chart								
FOR STANDARD METRIC MACHINE HARDWARE (Tolerance ± 20%)								
Property Class	5.6		8.8		10.9		12.9	
	Class 5.6		Class 8.8		Class 10.9		Class 12.9	
Size Of Hardware	in/lbs	Nm.	in/lbs	Nm.	in/lbs	Nm.	in/lbs	Nm.
	ft/lbs		ft/lbs		ft/lbs		ft/lbs	
M3	5.88	.56	13.44	1.28	19.2	1.80	22.92	2.15
M4	13.44	1.28	30.72	2.90	43.44	4.10	52.56	4.95
M5	26.4	2.50	60.96	5.75	5.97	8.10	7.15	9.7
M6	44.64	4.3	7.3	9.9	10.3	14	12.1	16.5
M7	5.2	7.1	12.1	16.5	16.9	23	19.9	27
M8	7.7	10.5	17.7	24	25	34	29	40
M10	15	21	35	48	50	67	59	81
M12	26	36	61	83	86.2	117	103	140
M14	42	58	101	132	136	185	162	220
M16	64	88	147	200	210	285	250	340
M18	89	121	202	275	287	390	346	470
M20	126	171	290	390	405	550	486	660
M22	169	230	390	530	559	745	656	890
M24	217	295	497	375	708	960	840	1140
M27	320	435	733	995	1032	1400	1239	1680
M30	435	590	995	1350	1401	1900	1681	2280
M33	590	800	1349	1830	1902	2580	2278	3090
M36	759	1030	1740	2360	2441	3310	2935	3980
M39	988	1340	2249	3050	3163	4290	3798	5150

Torque Specification Chart						
FOR STANDARD MACHINE HARDWARE (Tolerance ± 20%)						
Hardware Grade	No Marks		SAE Grade 5		SAE Grade 8	
	SAE Grade 2		SAE Grade 5		SAE Grade 8	
Size Of Hardware	in/lbs	Nm.	in/lbs	Nm.	in/lbs	Nm.
	ft/lbs		ft/lbs		ft/lbs	
8-32	19	2.1	30	3.4	41	4.6
8-36	20	2.3	31	3.5	43	4.9
10-24	27	3.1	43	4.9	60	6.8
10-32	31	3.5	49	5.5	68	7.7
1/4-20	66	7.6	8	10.9	12	16.3
1/4-28	76	8.6	10	13.6	14	19.0
5/16-18	11	15.0	17	23.1	25	34.0
5/16-24	12	16.3	19	25.8	29	34.0
3/8-16	20	27.2	30	40.8	45	61.2
3/8-24	23	31.3	35	47.6	50	68.0
7/16-14	30	40.8	50	68.0	70	95.2
7/16-20	35	47.6	55	74.8	80	108.8
1/2-13	50	68.0	75	102.0	110	149.6
1/2-20	55	74.8	90	122.4	120	163.2
9/16-12	65	88.4	110	149.6	150	204.0
9/16-18	75	102.0	120	163.2	170	231.2
5/8-11	90	122.4	150	204.0	220	299.2
5/8-18	100	136	180	244.8	240	326.4
3/4-10	160	217.6	260	353.6	386	525.0
3/4-16	180	244.8	300	408.0	420	571.2
7/8-9	140	190.4	400	544.0	600	816.0
7/8-14	155	210.8	440	598.4	660	897.6
1-8	220	299.2	580	788.8	900	1,244.0
1-12	240	326.4	640	870.4	1,000	1,360.0

The guides and ruler furnished below are designed to help you select the appropriate hardware.



Nut, M8

Thread Diameter (mm)

Inside Diameter (in)      Threads per inch

Nut, 1/2-16



Screw, M8- 1.25 x 25

Thread Diameter (mm)      Distance between threads (mm)      Body Length (mm)

Body Diameter      Threads per inch      Body Length (in)

Screw, 1/2- 16 x 2



## Standard Hardware Sizing

When a washer or nut is identified as 1/2" (M8), this is the *Nominal size*, meaning the *inside diameter* is 1/2 inch (8mm metric thread diameter); if a second number is present it represents the *threads per inch* (distance between threads).

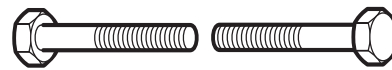
When bolt or capscrew is identified as 1/2 - 16 x 2" (M8 - 1.25 x 50), this means the *Nominal size*, or body diameter is 1/2 inch (8mm metric thread diameter), the second number, 16, represents the *threads per inch*, (*distance between threads*). The final number is the body length of the bolt or screw, 2 inches (50mm).

## NOTES

- These torque values are to be used for all hardware excluding: locknuts, self-tapping screws, thread forming screws, sheet metal screws and socket head setscrews.
- Recommended seating torque values for locknuts:
  - for prevailing torque locknuts - use 65% of grade 5 torques.
  - for flange whizlock nuts and screws - use 135% of grade 5 torques.
- Unless otherwise noted on assembly drawings, all torque values must meet this specification.

## Common Hardware Types

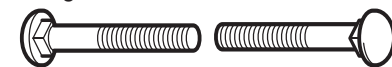
Hex Head Capscrew



Washer



Carriage Bolt



Hex Nut

## Wrench & Fastener Size Guide

1/4" Bolt or Nut Wrench—7/16"	5/16" Bolt or Nut Wrench—1/2"	3/8" Bolt or Nut Wrench—9/16"	7/16" Bolt or Nut Wrench (Bolt)—5/8" Wrench (Nut)—11/16"	1/2" Bolt or Nut Wrench—3/4"
M6 Bolt or Nut Wrench—10mm	M8 Bolt or Nut Wrench—13mm	M10 Bolt or Nut Wrench—17mm	M12 Bolt or Nut Wrench—19mm	M14 Bolt or Nut Wrench—22mm

