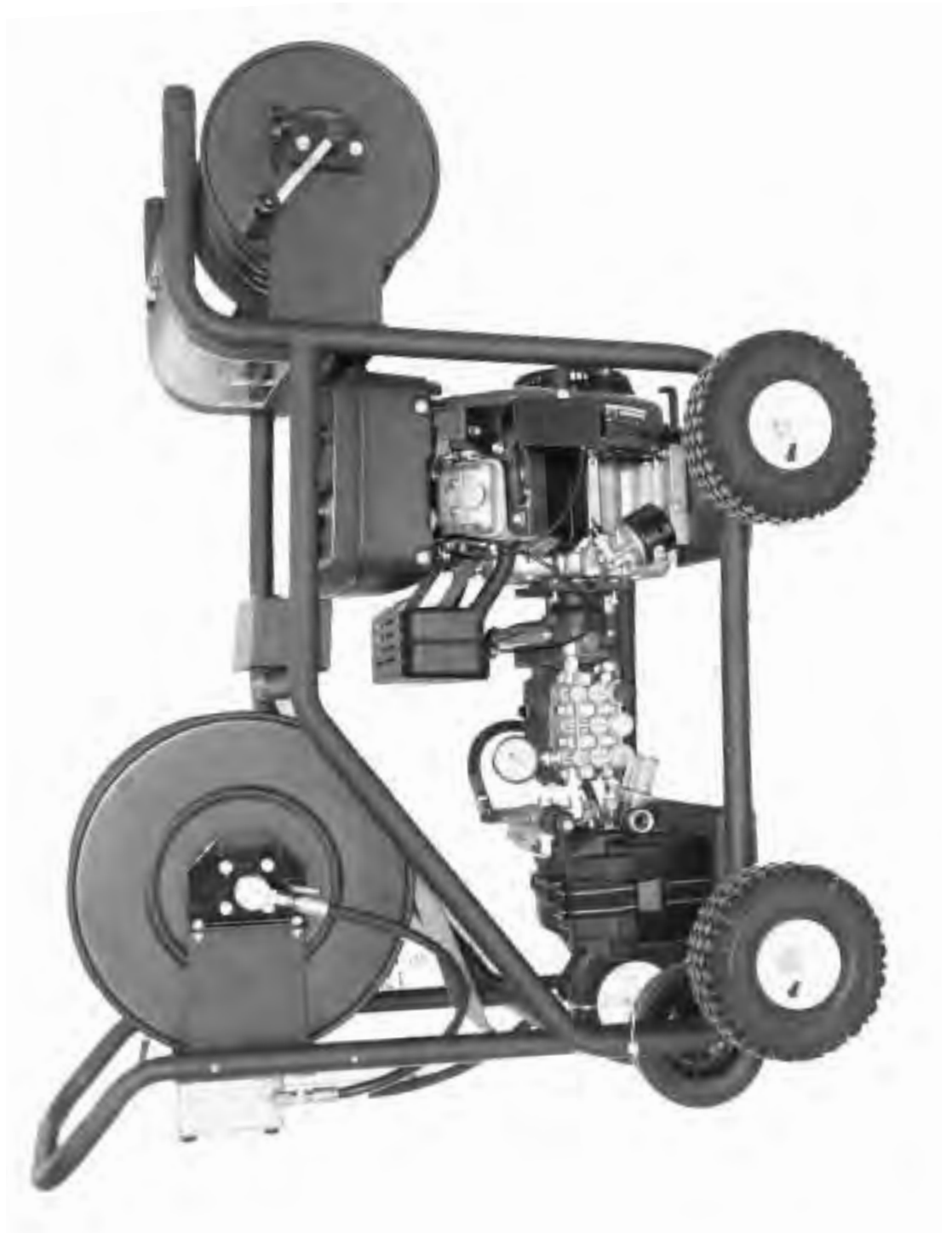


Operator's Manual



SW SERIES Jettters



Model	PSI	GPM	HP
SW3000.4	3000	4.0	11 Honda
SW3000.55	3000	5.5	16 Vangaurd
SW4000.4	4000	4.0	16 Vangaurd

Thank you

Thank you for selecting our products. Our personnel have proudly made every effort to ensure that your new pressure washer is of the quality you expect. But things do occasionally go wrong. This is why every pressure washer is covered by a limited warranty. Among other things, this warranty provides for the replacement of parts found to be defective during the operation of your new pressure washer. Please note that the owner/operator has certain obligations under the terms of the warranty. Be sure to read this manual for directions on proper installation, start-up, use, and storage of your pressure washer.

Your new pressure washer was tested after production for proper pressure and flow. Please note that this process will sometimes leave a water residue in the pump. The dealer you have purchased your new machine from should review with you the proper installation, start-up, use, and storage. Most 'big' problems occur when shortcuts are taken in one of these processes. If a problem occurs that you need some assistance with, please feel free to contact us at the listing below:

Warranty Service Center
520 Brooks Road
Iowa Falls, IA 50126
1.800.648.6007

Please make note of Model Identification
Model _____
Code _____
Serial # _____
Always have this information when calling
Warranty Service Center.

Be familiar with the model plate located on your machine. Have the model and code number with you when you call for service.

Statement of warranty

The manufacturer of this pressure washer agrees to repair or replace designated parts that prove defective within one year from date of original purchase. Specific limitations and exclusions apply. To make claim under the terms of the warranty, all parts said to be defective must be returned to the Warranty Service Center listed above for warranty inspection. The judgments and decisions of the factory personnel concerning the validity of warranty claims are final.

Items not covered by the warranty given by us include motors, engines, and pumps. These components are covered by warranties given by their respective manufacturers. These warranties pass through to the end user. As a factory authorized and trained warranty service center, the factory will honor the terms of all component warranties and satisfy claims of the appropriate warranty provisions.

Normal wear items are not covered by this warranty. Normal wear items include hoses, nozzles, filters, valves, and seals.

This warranty does not cover the following: machines used for rental purposes, damage resulting from shipping, accident, abuse, misuse, or neglect. Also not covered is damage from repairs or alterations performed by non-factory authorized personnel or failure to install and operate equipment according to the guidelines put forth in the instruction manual.

The manufacturer will not be liable to any persons for consequential damage, for personal injury, or for commercial loss.



WARNING

Engine exhaust from this product contains chemicals known to the State of California to cause cancer, birth defects, or other reproductive harm.



WARNING

The following warnings must be followed. Failure to follow these warnings could result in serious personal injury or death!

Never allow children or untrained personnel to operate machinery.

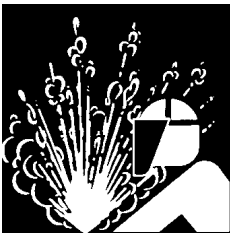


CAUTION

Gun kicks back--hold with both hands.



High pressure water can cause death or serious injury.
Wear protective clothing and face shield.
Do not direct water stream toward self or others.
Do not spray electrical apparatus.



Pressurized fluid streams and ruptured pressure vessels can cause death or serious injury.
High pressure fluid can create a high-pressure stream or ruptured vessel.
Wear safety face shield.
Relieve pressure before servicing.
Do not modify/repair/rework vessel or change safety relief or pressure setting.
Do not direct stream toward self or others.



Exhaust fumes contain harmful gases.
Use in open, well ventilated areas or vent the exhaust to the outside.

Exhaust gases can cause death or serious injury.

Important Safety Instructions

WARNING - when using this product, the following basic precautions should always be followed:

1. Read all the instructions before using the product.
2. To reduce the risk of injury, close supervision is necessary when a product is used near children.
3. Know how to stop the product and bleed pressure quickly. Be thoroughly familiar with the controls.
4. Stay alert--watch what you are doing.
5. Do not operate the product when fatigued or under the influence of alcohol or drugs.
6. Keep operating area clear of all persons.
7. Do not overreach or stand on unstable support. Keep good footing and balance at all times.
8. Follow the maintenance instructions specified in the manual.
9. WARNING - Risk of injection or injury--do not direct discharge stream at persons.

Save these instructions

Initial setup and operation of your new jetter/pressure washer

- Inspection for freight damage** When you receive your pressure washer, be sure you check for concealed freight damage. Any damage should be noted with the delivering carrier. If you have any questions related to freight, call the 800 number listed on the inside front cover of the manual.
- Inspection of oil levels** Check all oil levels in the pump or engine, if applicable. Failure to check all levels will result in equipment damage. Most pumps are shipped with oil from the factory and the crankcase is sealed. You may have to remove a shipping plug and install a dipstick in the pump.
- Water supply** Your water supply must provide water to the equipment that exceeds the Gallon Per Minute (GPM) rate of your machine. You can check your GPM by using a five-gallon bucket and a timer. If your machine is five GPM or less and the bucket fills in less than a minute you have adequate supply. Some systems are affected by washing machines, livestock watering systems, and flushing of toilets. Be sure the supply is still adequate when these operations are taking place. The water temperature cannot exceed 145 degrees Fahrenheit. Pressure should not exceed 60 PSI. Failure to secure adequate water supply will result in pump damage. Do not run pump dry!
- Water quality** Your water supply should not contain particles larger than 80 microns. Although there are small filters installed on pressure washers that filter the water, they can only filter poor quality water for a short period of time before clogging. This will result in damage to the machine. Therefore, you should insure no sand or scale particles are present in the water supply.
- Supply hose** Hook a garden hose from the hydrant to the machine. When doing this, be sure to check the inlet water filter or screen. This hose should be at least 5/8" diameter with a length at least 15 feet. This 15' length helps isolate the water supply from pulsations from the pump. Many states require a vacuum break or backflow preventor be installed at the hydrant, before the garden hose, to insure the water source cannot be contaminated. Be sure to check local and state regulations upon installation.
- Purge air** Turn on the water supply and open the trigger gun. This will purge all the air from the system. Look for water leaks and stop any leak found. Leaks can cause erratic pump behavior.
- Pump/engine** Prior to starting the engine, check the oil in the engine and pump. Be sure they are at proper operating levels and the correct oil for the conditions. Check your engine manual for oil type and conditions and the pump breakdown for proper oil for the pump.
- Fuel** Be sure your engine is full of fresh, clean fuel.
- Starting engine** Start your engine following the instructions in the engine manual. Be familiar with fuel shut off, throttle control, choke, and shut-off switch before starting. Allow engine to warm at half throttle for one to two minutes before operating washer. Before shutting down, run engine at half throttle for one to two minutes.

During operation

The pressure was set at the factory during the testing procedure; no adjustments to the machine should be required for operation. During operation, do not leave the machine running for more than two minutes without the trigger gun being pulled. Although your machine has a by-pass valve on it and may have a thermal relief system, this pressure build-up can cause extensive pump damage. If machine will not be discharging water for more than two minutes, shut the machine off.

Accessory operation

WARNING

Use extreme caution when attaching devices to the discharge of this equipment. Allow only trained individuals to operate this machinery. The attachments must be rated to operate within the pressure range of the equipment or injury could occur. Only use attachments designed, rated, and sized for the equipment by the manufacturer.

Hose and reels The discharge hoses and fittings should be inspected before every use. Also inspect the connections made on the hose reels. Refer to accessories listing and exploded views included for specifications and replacement parts.

Hose sizing For pressure wash applications, the ideal hose to deliver adequate water flow and pressure at distances up to 300 feet is a 3/8" ID hose with a minimum burst pressure rating no less than four times the operating pressure of the equipment. For drain jetting and sewer cleaning, a hose should be selected for the adequate pressure range and length needed. The diameter of the hose should be chosen from the chart below for the application requirements.

<u>Hose size</u>	<u>Pipe size</u>	<u>Typical application</u>
3/8" or 5/16"	4" to 8" lines	Floor drains, septic lines, and long runs
1/4"	2" to 4" lines	Kitchen, laundry drains, and clean-outs
1/8"	1" to 2" lines	Tight bends, bathroom and trap lines

Hose size considerations -Remember, when selecting a hose, the smaller diameter and longer the hose, the greater the pressure and flow loss will be.
-Do not couple hoses together for drain jetting. The long couplings will get caught in bends in the drain lines.
-When drain jetting, always attach a shut-off valve, trigger gun, or foot valve directly to the hose to be inserted in the drain. This ensures safe shut-off of the water flow at the user's discretion.

WARNING

In drain jetting applications, the hose must be inserted into the drain line at least five feet before starting water flow. Be sure machine is not powered on before hose is inserted into the drain. Be sure machine is shut down before removing the hose from the drain. Always be sure hose is marked at the point five feet from the nozzle to identify nozzle position.

Drain and trap hoses Drain and trap hoses listed in the accessory sheet are fitted with a twist-fast coupler. Your drain jetting equipment is shipped with an assortment of twist-fast couplers to make the necessary connections for the drain hose to be installed either on the existing hose, by removing the drain nozzle, or by installing it directly to the foot valve included on some models.

Nozzles The nozzle, or tip, of the machine is used to restrict the discharge water flow to achieve the rated operating pressure of the equipment. Only use a properly sized nozzle for your equipment. The nozzle should be inspected before every use for obstructions and nozzle wear. New nozzles can be selected from the accessory sheet enclosed in the Operator's Manual folder pocket.

Shut-down procedure

- Shut-down
1. Turn off the power switch on the pressure washer.
 2. Relieve pressure on line by pulling trigger gun.
 3. Shut off water supply and disconnect garden hose.
 4. Be sure to check for water leaks or oil leaks that should be repaired before the next operation.
- Storage
5. If you are going to store the machine for extended periods of time in cold climates be sure to anti-freeze the equipment. A 50% anti-freeze solution may be drawn in through the inlet of the pump using a short remnant of garden hose. This fluid should be run through the pump. When the fluid is discharged from the pump discharge your machine is winterized. Do not allow machine to freeze.
- Pump
- The pump oil should be changed after the first 50 hours of operation. Then change every year after that for average use. Oil should be changed more frequently for extensive use or use in dusty areas or areas with high moisture.
- Engine
- If the engine is to be stored for an extended length of time, a fuel stabilizer is highly recommended. Failure to use a fuel stabilizer may result in varnishing in the carburetor or injectors and will require servicing to make the engine run.
- Filters
- Water filters, hoses, and fittings should be checked prior to every operation for cleanliness, leaks, and needed repair or replacement.

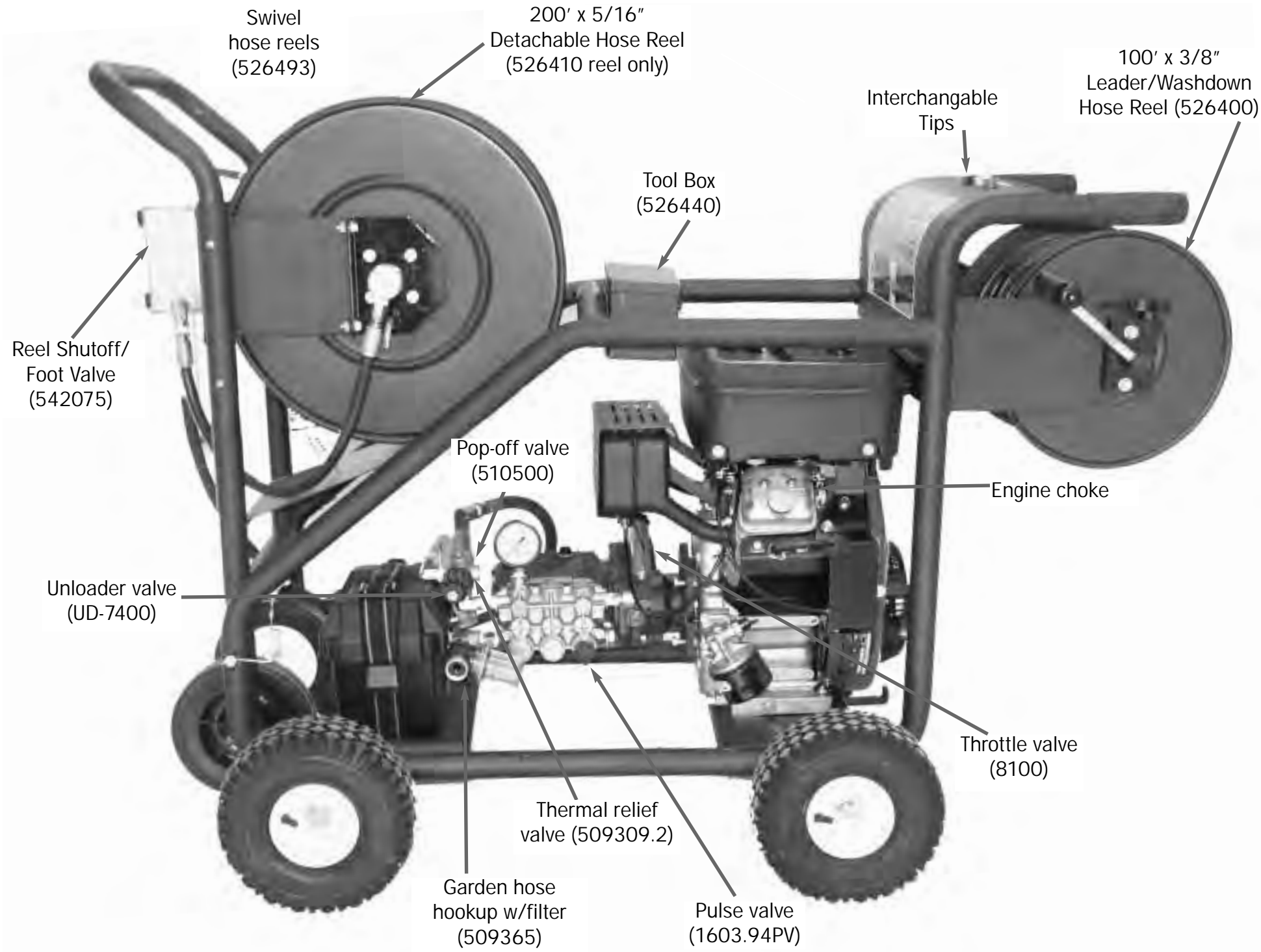
Troubleshooting

Despite the complexity of your jetter, a number of common complaints stem from relatively simple problems. With guidance, the user can identify and remedy many common problems.

Always disconnect the power supply before attempting to service any equipment.

Common problems and solutions

Malfunction	Cause	Remedy
Unit runs but no water discharges	<ul style="list-style-type: none">-Water supply not turned on-Plugged nozzle on discharge-Shut off valve is malfunctioning	<ul style="list-style-type: none">-Turn on water supply-Remove, clean, or replace nozzle-Remove, repair, or replace valve
Low nozzle pressure	<ul style="list-style-type: none">-Plugged spray nozzle-Inlet screen is plugged-Insufficient water supply-Unloader valve stuck open-Plugged inlet or discharge hose-Use of additional lengths of hose	<ul style="list-style-type: none">-Remove and clean or replace nozzle-Remove and clean or replace filter-Secure adequate water supply-Disassemble and clean, repair, or replace-Flush or replace hoses-Reduce discharge hose length
Surging pressure or drop in pressure	<ul style="list-style-type: none">-Partially plugged spray nozzle-Worn nozzle-Soap (low pressure tip installed)-Restricted or leaking inlet hose, filter-Cavitation (inadequate water supply)-Worn pump packings-Fouled inlet or discharge valves-Broken valve spring-Worn or restricted unloader valve	<ul style="list-style-type: none">-Remove and clean or replace nozzle-Remove and replace nozzle-Remove and install one of the nozzles-Check inlet hose, filter; clean or replace-Secure adequate water supply-Inspect and replace worn packings-Inspect and clean or replave valves-Inspect and replace valve spring-Inspect, repair, or replace unloader
Pressure at pump but low discharge pressure	<ul style="list-style-type: none">-Restricted discharger	<ul style="list-style-type: none">-Check for discharge obstructions in injector, gun, hose, valve, wand, and unloader.
Chemical injector not working properly	<ul style="list-style-type: none">-Soap nozzle (low pressure tip) not installed-Injector valve not turned on-Discharge hose too long -Clogged injector pick up hose-Clogged injector	<ul style="list-style-type: none">-Install nozzle with large hole-Turn on injector by turning fitting on injector-Reduce hose length or reposition injector to within 40' of trigger gun-Remove, clean, and replace-Disassemble, clean, and reassemble
Water leaks from pump manifold	<ul style="list-style-type: none">-Worn plungers or packings	<ul style="list-style-type: none">-Inspect and replace
Unloader does not bypass	<ul style="list-style-type: none">-All valves fouled-Unloader valve seat fouled	<ul style="list-style-type: none">-Inspect, clean or replace-Inspect, clean or replace Unloader assly.
Unloader cycles when gun is shut off	<ul style="list-style-type: none">-Leak in trigger or discharge line	<ul style="list-style-type: none">-Inspect, repair or replace leaking fittings
Water in crankcase	<ul style="list-style-type: none">-High humidity or direct water spray-Worn seals	<ul style="list-style-type: none">-Reduce oil change intervals-Replace seals



Jetter Operation Procedure



1. Locate machine in a well ventated area, up tp 100' from drain. Set parking break located between rear wheels.
2. Remove remote jetter reel cart from jetter frame, by removing retaining pins located between rear wheels of jetter frame.



3. Tip remote reel cart back on hinges to remove from jetter frame.



4. Position remote reel cart near drain opening.



5. Unreel required amount of leader hose from leader hose reel located under jetter frame handle.

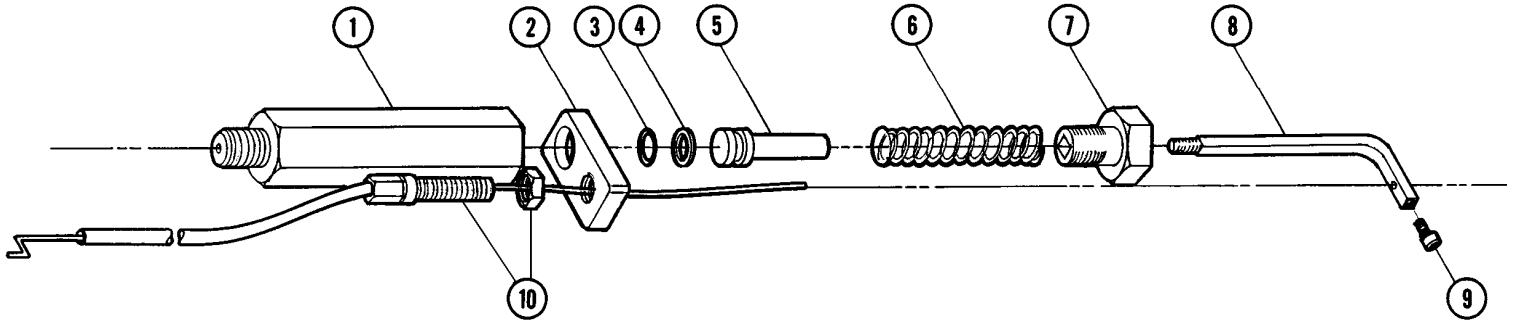


6. Connect leader hose to foot valve on remote reel cart. It is strongly sugested that safety glasses be worn during jetter operation.
7. Being sure hose from pump is attached to the leader hose reel, and an adaquate amount of water is supplied to pump (refer to "Initial setup and operation" on page 4). Start engine and allow to warm up. Throttle-back valve may surge slightly while air is forced out of line.



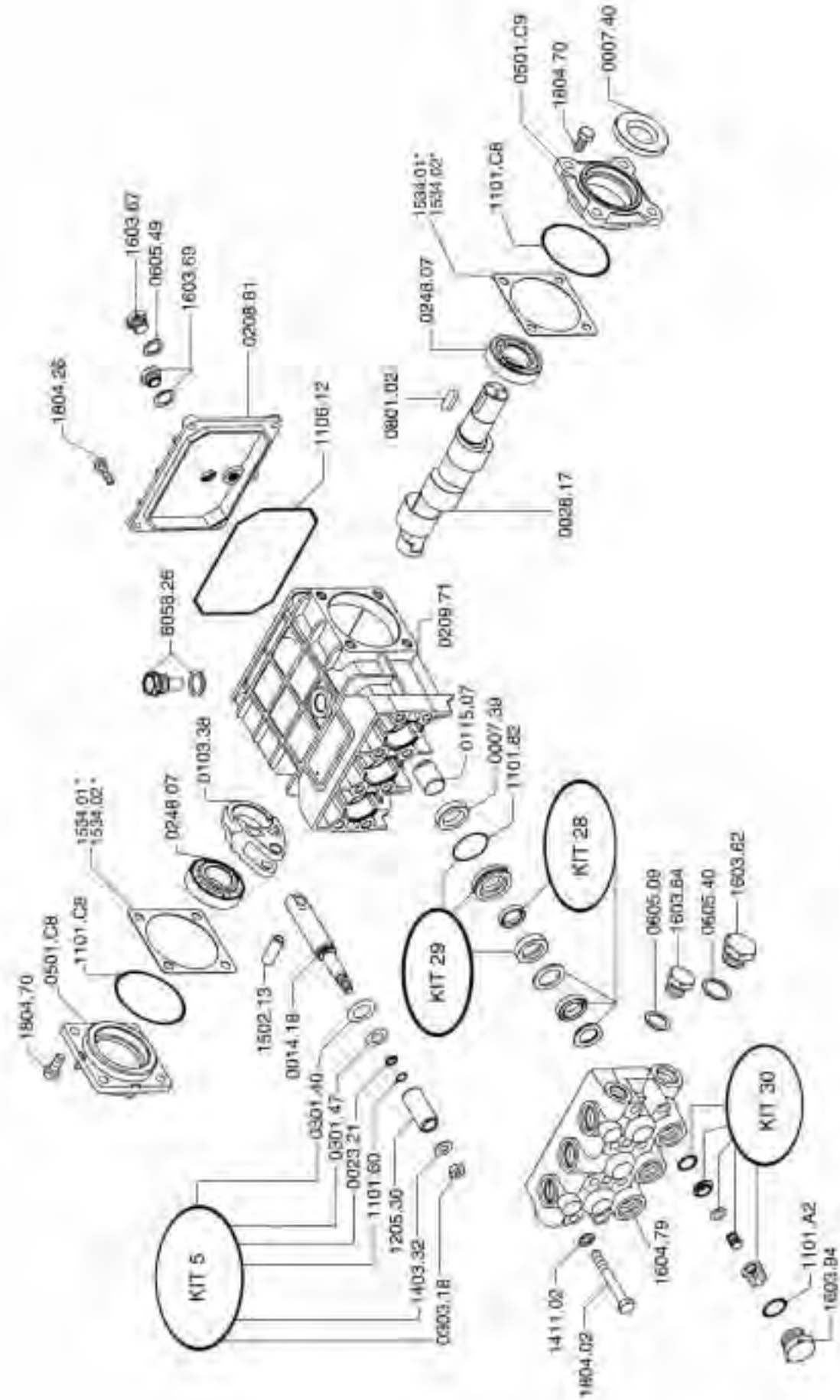
8. Removing drain tip from hose, hold hose in drain while depressing foot valve. This will clear any forign matter from line that may plug tip, and greatly reduce jetters effe-tiveness.
9. With nozzel reinstalled on hose, run hose down drain opening at least 5 feet. Depress foot pedal, and begin feeding hose down the drain. Do not run jetter with hose out of drain rear facing jets may cause personal injury.

Throttle valve parts list

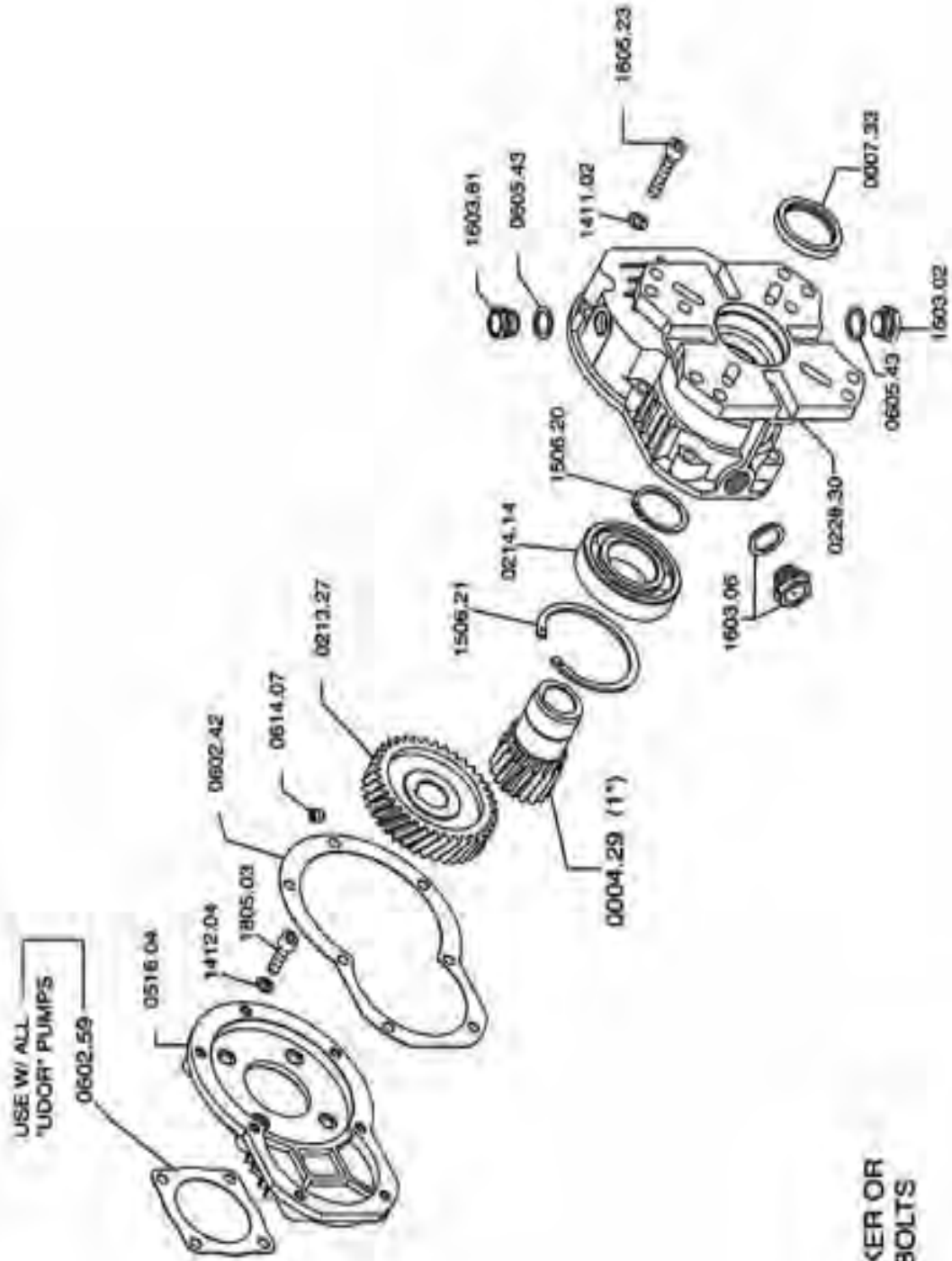


Item	Part no.	Description	Quantity
1	34200	Valve body	1
2	34201	Cable retainer	1
3	34209	O-ring (Buna-N)	1
4	34206	Back-up ring (Teflon)	1
5	34202	Piston	1
6	34205	Spring	1
7	34203	Spring retainer	1
8	34204	"L" connecting rod	1
9	34207	Socket head screw	1
10	34208	Cable with locking nut	1
--	34113	Allen wrench - 7/68, hex	1
-	34185	Sealant - 250 mL	1

MKC 15/28-S

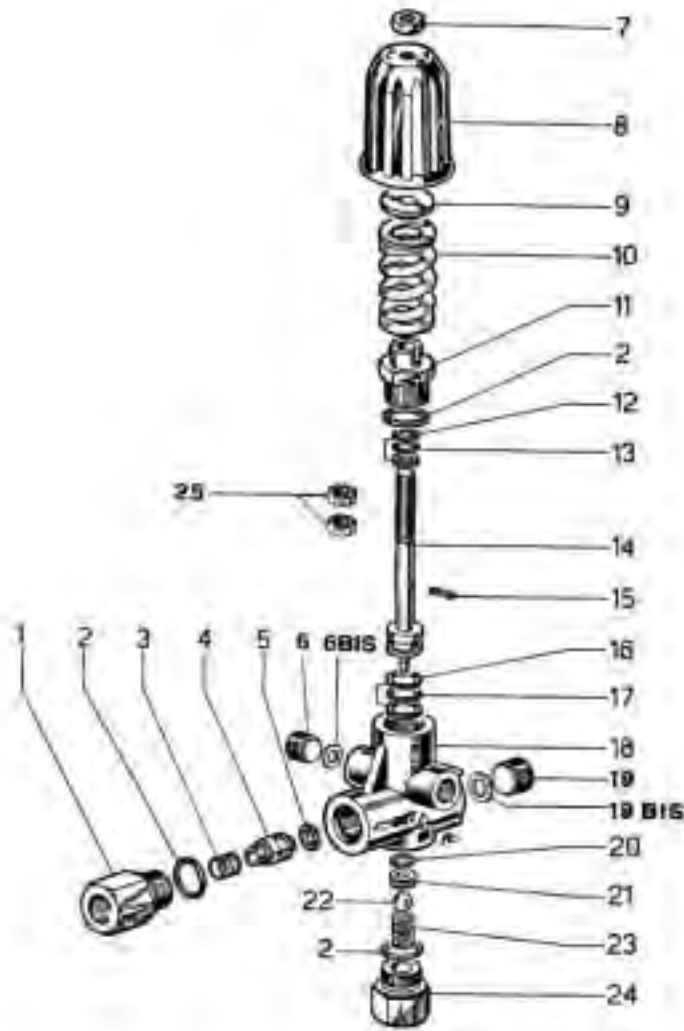


5038.C2 GEAR REDUCTION



****NOTE:**
USE 242 THREADLOCKER OR
EQUIVALENT ON ALL BOLTS
AND SET SCREW!

UD-7400



Item	Part#	Qty
1	1500.10	1
2	0601.08	3
3	1000.02	1
4	1200.00	1
5	0601.09	1
6	N/A	1
7	N/A	1
8	N/A	1
9	N/A	1
10	N/A	1
11	N/A	1
12	N/A	2
13	N/A	1
14	N/A	1
15	N/A	1
16	N/A	2
17	N/A	1
18	N/A	1
19	N/A	2
20	N/A	2
21	N/A	1
22	N/A	1
23	N/A	1
24	N/A	1
25	N/A	1
*UD-7400 Complete Unloader		

Parts and accessories

EDP #	DESCRIPTION	LIST
	HIGH PRESSURE CHEMICAL INJECTOR	
	The stainless steel construction makes this nozzle suitable for various soaps, sanitizers, fungicides and chemical cleaning solutions. Nozzle barrel propels a concentrated spray pattern up to 25-35 feet. Stainless steel construction provides high strength and chemical resistance. Adjustment knob at nozzle body allows for convenient chemical metering. 30' of chemical hose and a check valve which prevents reversal of solution back to the chemical container are standard features. Weighted strainer filters unwanted debris from entering the chemical stream.	
CAT 7314	#4 HIGH PRESSURE INJECTOR Use with 1000 PSI@2.0-2.2 GPM	\$124.60
	Use with 3000 PSI@4.0-4.5 GPM	
CAT 7315	#5 HIGH PRESSURE INJECTOR Use with 1500 PSI@3.0-3.5 GPM	\$124.60
CAT 7316	#6 HIGH PRESSURE INJECTOR Use with 2000 PSI@4.0-4.5 GPM	\$124.60



JETTER ACCESSORIES

	TRAP HOSES	
519039	1/8" x 25' TRAP HOSE 3000# MAX	\$55.00
519040	3/16" x 25' TRAP HOSE 4000# MAX	\$75.00
519041	3/16" x 50' TRAP HOSE 4000# MAX	\$135.00

	REPLACEMENT HOSES FOR JETTERS	
519033	3/16" x 100' HOSE 3000# MAX	\$240.00
519033.1	3/16" x 200' HOSE 3000# MAX	\$475.00
509083.5H	5/16" x 100' HOSE 4000# MAX	\$245.00
509083.4	5/16" x 200' HOSE 4000# MAX	\$570.00

	REPLACEMENT HOSES FOR TRAILER JETTERS	
509089.200	1/2" x 200' HOSE 3000# MAX	\$1675.00
509089.300	1/2" x 300' HOSE 3000# MAX	\$2475.00
509089.400	1/2" x 400' HOSE 3000# MAX	\$3325.00
509089.500	1/2" X 500' HOSE 3000# MAX	\$4150.00

	DRAIN NOZZLES FOR JETTERS	
RAM18-MODEL	1/8" F RAM NOZZLE	\$40.00
RAM14-MODEL	1/4" F RAM NOZZLE	\$45.00
LAS18-MODEL	1/8" F LASER NOZZLE	\$40.00
LAS14-MODEL	1/4" F LASER NOZZLE	\$45.00
COR18-MODEL	1/8" F CORNER NOZZLE	\$40.00
COR14-MODEL	1/4" F CORNER NOZZLE	\$45.00
REV18-MODEL	1/8" F REVOLVING NOZZLE	\$136.75
REV14-MODEL	1/4" F REVOLVING NOZZLE	\$205.13



Ram



Corner



Laser



Revolving

	DRAIN NOZZLES FOR TRAILER JETTERS	
RAM38-MODEL	3/8" F RAM NOZZLE	\$55.00
LAS38-MODEL	3/8" F LASER NOZZLE	\$55.00
COR38-MODEL	3/8" F CORNER NOZZLE	\$55.00
REV38-MODEL	3/8" F REVOLVING NOZZLE	\$250.00

200DS3	PORTABLE REEL 3/8" x 200' 3000#/CART/SHUTOFF	\$1400.00
200DS4	PORTABLE REEL 3/8" x 200' 4000#/CART/SHUTOFF	\$1400.00

509859H	HONDA L.P. CONVERSION KIT	\$492.91
509859	VANGUARD L.P. CONVERSION KIT	\$492.91

	PRESSURE WASH ATTACHMENTS	
509374J	PRESSURE WASH GUN	\$72.39
542040	#4 MULTI-REG TIP	\$34.94
542041	#5 MULTI-REG TIP	\$34.94
542042	#6 MULTI-REG TIP	\$34.94