

POWER EASE

ENGINES

225 AND 420 ENGINES



85.570.070

85.570.150

USER MANUAL



TABLE OF CONTENTS

Introduction

4 Using the Operators Manual

Product Identification

5 Record Product Identification Numbers

Safety

6 Safety Rules

6 Hazard Symbols and Meanings

Engine Components

8 Front Diagram

8 Rear Diagram

Battery Connection

10 Battery Connection

Pre-Operation

12 Engine Oil

12 Oil Level Check

13 Air Cleaner

13 Fuel Recommendation

Starting the Engine

15 Starting the Engine

16 Recoil Starter

Running the Engine

17 Running the Engine

17 Engine Oil Alarm

High Altitude Operation

18 High Altitude Operation

Stopping the Engine

19 Stopping the Engine

Exhaust Control System

- 20 Exhaust Control System
- 20 Maintenance
- 20 Problems affecting exhaust emissions

Maintenance

- 21 Maintenance Schedule
- 22 Replacement of Engine Oil
- 22 Maintenance of Air Cleaner
- 23 Spark Plug

Transport and Storage

- 24 Transport and Storage

Troubleshooting

- 26 Engine Starting (by recoil starter)
- 27 Engine Starting (by starter motor)
- 28 Gasoline Engine Power Output Insufficiency
- 29 Gasoline Engine Running Poorly
- 29 Suddenly Stops When Running
- 30 Engine is Overheating
- 30 Abnormal Noise When Engine is Running

Specifications

- 31 Specifications

Warranty

- 32 Warranty
- 36 Maintenance Notes



INTRODUCTION



Attention: Read through the complete manual prior to the initial use of your engine.

Using the Operator's manual

Thank you for choosing our general-purpose gasoline engine. The manual gives information with respect to operation and maintenance of the engine. Be sure to read it carefully before operation.

Following the manual can ensure the user's safety and allow the best results from the engine. All information and diagrams in this manual are in accordance with the newest products at the time of publishing. We strive for accuracy and this manual is accurate for the models described at the time of printing. We reserve the right to make improvements or changes at any time without notice or obligation.

Please keep this manual with the engine permanently, even if ownership of the engine is transferred.



Record Identification Numbers

ENGINE

If you need to contact an authorized dealer or customer service line (1-866-850-6662) for information on servicing, always provide the product model and identification numbers.

You will need to locate the model and serial number for the machine and record the information in the places provided below.

Date of Purchase:
Dealer Name:
Dealer Phone:

Product Identification Numbers
Model Number:
Serial Number:

WARNING
ADVERTENCIA • AVERTISSEMENT

Cancer and Reproductive Harm
Cáncer y Daño Reproductivo
Cancer et dommages à la reproduction


www.P65Warnings.ca.gov

Save these Instructions

SAFETY RULES



This is the safety alert symbol. It is used to alert you to potential personal injury hazards. Obey all safety messages that follow this symbol to avoid possible injury, equipment damage, or death.

The safety alert symbol () is used with a signal word (DANGER, CAUTION, WARNING), a pictorial and/or a safety message to alert you to hazards.

DANGER indicates a hazard which, if not avoided, will result in death or serious injury.

WARNING indicates a hazard which, if not avoided, could result in death or serious injury.

CAUTION indicates a hazard which, if not avoided, might result in minor or moderate injury.

NOTICE indicates a situation that could result in equipment damage. Follow safety messages to avoid or reduce the risk of injury or death.

HAZARD SYMBOLS AND MEANINGS



EXPLOSION



FIRE



ELECTRIC SHOCK



TOXIC FUMES



POISON



HOT SURFACE



WEAR EYE PROTECTION



SLIPPERY



FALL



FLUID INJECTION



MOVING PARTS



READ MANUAL

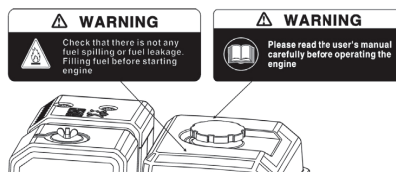
⚠ WARNING

Indicates a possibility of invalid warranty and personal or equipment damage if instructions are not followed.

Please pay special attention to the following:

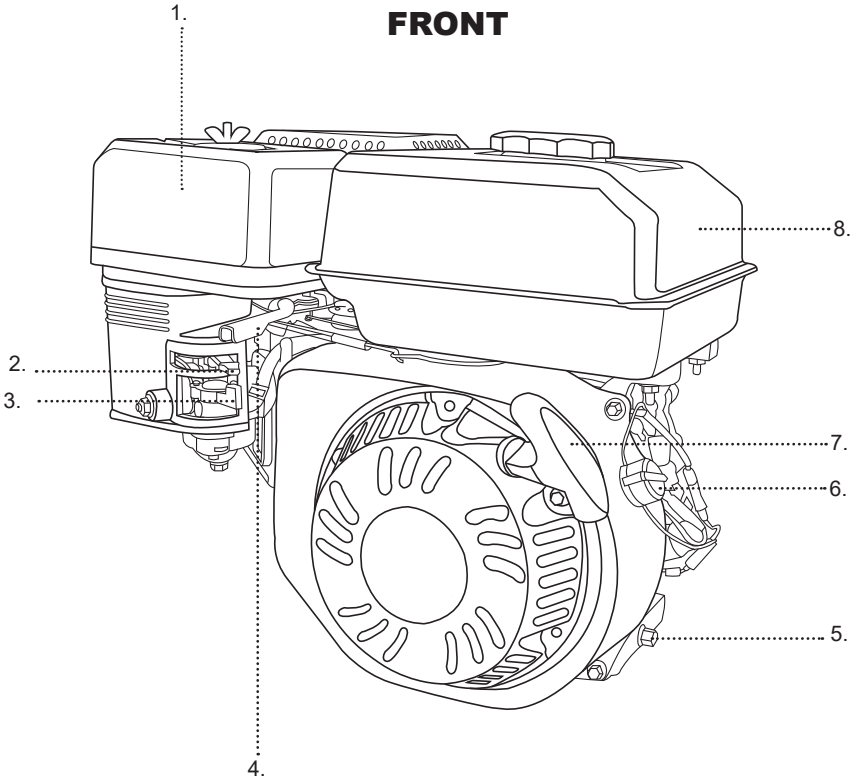
- Do not overload, overrun the engine, or run it with low load and at low speed for a long time.
- Use unleaded, regular gasoline. Ensure that it is clean and fresh.
- Keep the fuel filter clean.
- Change the oil periodically. Check the condition of the oil often.
- Periodically check the installation, connection, and the degree of tightness of the drive shaft. Tighten if necessary.
- Periodically clean the element of the air filter and change it when necessary. A clogged air filter can permanently damage the engine.
- This gasoline engine is air-cooled. If necessary, clean the radiator, fan and/or fan cover to allow for normal operation of the engine.
- The operator should be familiar with the working principles and structure of the gasoline engine, including knowing how to make an emergency stop and the basic operation of all controlling parts. Anyone without training should not operate the engine.
- Run the engine in a well-ventilated location. Do not run indoors or near any flammable substances. Open windows or doors do not supply sufficient ventilation. Use only in an outdoor setting.
- Refuel in a well-ventilated area with the engine stopped. Do not smoke and do not allow flames or sparks in the refueling area.
- Do not overfill the fuel tank. Always leave room for fuel expansion. Take care not to spill fuel. If there is spilled fuel around, be sure to clean it up thoroughly before starting the engine.
- Do not run the engine inside buildings or enclosed areas.
- The exhaust muffler is very hot during engine operation even after the engine stops. Never touch it, or you may be burned. Transport or store the engine only after it has cooled down entirely.
- Safety warning label:

Please carefully read warning labels before operating. We will not accept any responsibility for personal injury or equipment damage caused by disregarding these labels.



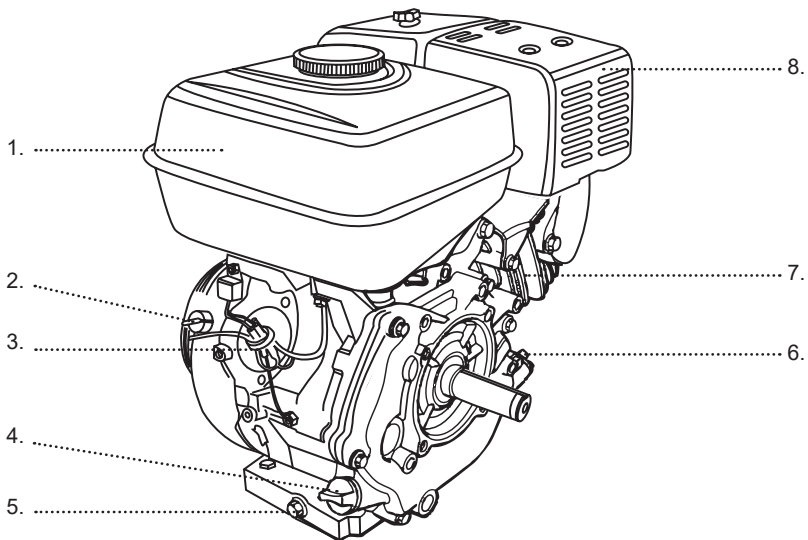


Read this operator's manual and safety rules before operating your engine.

FRONT

1. Air Filter
2. Choke Lever
3. Fuel Valve Lever
4. Throttle Lever
5. Oil Drain Plug
6. ON/OFF Switch
7. Recoil Starter
8. Fuel Tank

BACK

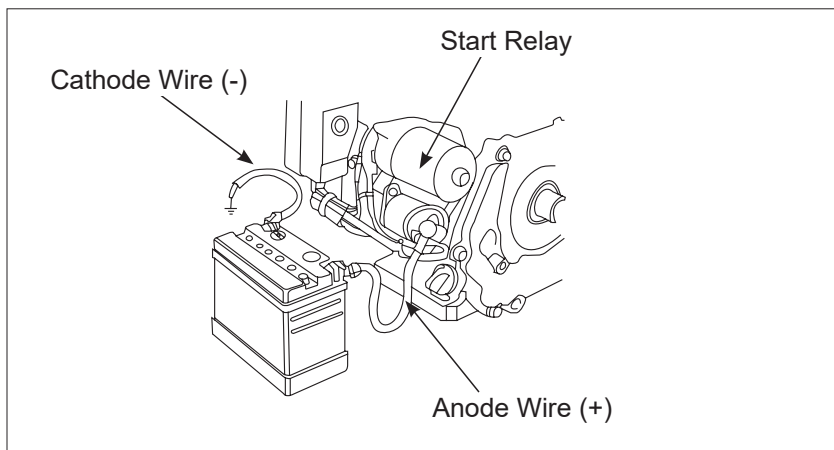


1. Gas Tank
2. Engine Switch
3. Battery Wiring
4. Oil Dipstick
5. Oil Drain Plug
6. Oil Plug
7. Spark Plug
8. Exhaust/Muffler

Battery Connection (If Applicable)

Use a 12V and more than 18AH battery. Connect its positive lead to the start relay terminal while connecting the negative lead to the engine mounting screw, base screw, or other grounding point with the engine (See the following picture).

Check the battery's connecting point; make sure that it is tight and not rusted. If rusted, clean and connect.

**⚠ WARNING**

The battery may give off explosive gas. Keep sparks, flames and cigarettes away.

⚠ WARNING

The battery contains sulfuric acid (electrolyte). Contact with skin or eyes may cause severe burns. If electrolyte gets in your skin, flush with water; if it gets in your eyes, flush with water for at least 15 minutes and call a physician immediately.

⚠ WARNING

Electrolyte is poisonous. If swallowed, drink large quantities of water or milk followed by milk of magnesia or vegetable oil and call a physician.

WARNING

Keep out of reach of children.

NOTICE

- Do not add tap water to the battery. Fill with distilled water, otherwise the battery service life will be shortened.
- Do not add distilled water over the electrolyte upper level mark. If you do, electrolyte will spill out and damage engine parts. If spillage occurs, it must be cleaned up immediately. Do not delay.
- Make sure not to connect the battery leads in reverse order. Otherwise, a short-circuit may occur as a result.

Pre-Operation Inspection

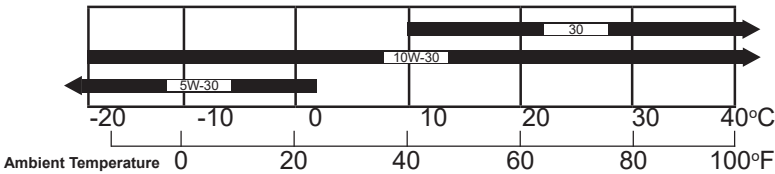
ENGINE OIL

CAUTION

Use 4-stroke engine oil, API service classification SE class or equivalent. Check the API service label on the oil container to be sure it includes the letters SE class or equivalent.

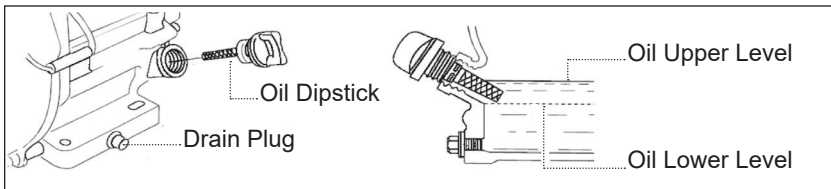
SAE 10W-30 is recommended for general use. Other viscosities shown in the chart may be used when the average temperature in your area is within the indicated range.

SAE VISCOSITY GRADES



CHECKING THE OIL LEVEL

1. Remove the dipstick and clean it with a dry towel.
2. Reinsert the dipstick into the oil filling hole without screwing it in, remove it. The oil level can be determined by seeing how much of the dipstick is covered in oil.
3. If the oil level is too low, add the recommended engine oil up to the appropriate level. Do not add oil if the oil within the engine is old or in poor condition. Drain and change the oil instead.
4. Reinstall the dipstick once you are done checking the level.



NOTICE

Running with insufficient engine oil may damage the gasoline engine. This is not covered by warranty.

AIR CLEANER

Dismantle the air cleaner cover and check its element to ensure it is clean and in good condition. Clean or replace it as necessary.

NOTICE

Never run the engine without an air filter. Severe wear and tear may occur as a result. This damage is not covered by warranty.

FUEL RECOMMENDATION

1. Remove the fuel tank cap and check fuel level.
2. If the level is too low, refuel the tank. Remember to add fuel below the fuel shoulder.

⚠ WARNING



Gasoline is extremely flammable and is explosive under certain conditions.

Refueling in a well-ventilated area with the engine stopped. Do not smoke and do not allow flames or sparks in the area where gasoline is stored or where the fuel tank is refueled.

Be careful not to spill fuel when refueling. Spilled fuel or fuel vapor may ignite. If any fuel is spilled, make sure the area is dry before starting the engine.

⚠ WARNING

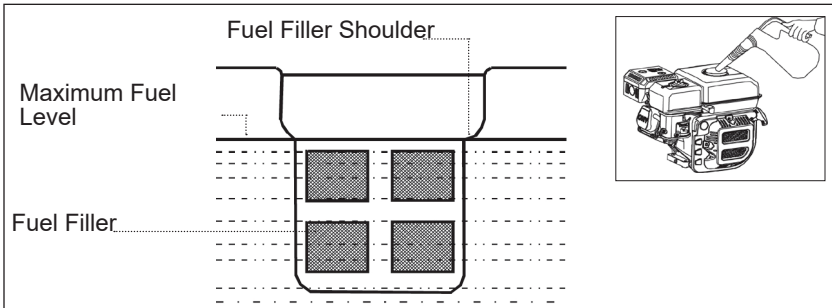


Avoid repeated or prolonged contact with skin or breathing of fuel vapor. Keep out of reach of children.

Keep out of reach of children.

⚠ WARNING

Do not overfill the fuel tank (there should be no fuel in the filling neck). After refueling, make sure the fuel tank cap is replaced securely.



NOTICE

Fuel may damage the exterior of the engine. Be careful not to spill fuel when refueling. Any damage due to spillage of any kind is not covered by warranty.

A "light knocking" or "spark exploding" sound may be heard during engine **overloading** - this is normal.

If "knocking" or "spark exploding" sound occurs at a steady speed under **normal** load, change brand of gasoline. If this issue persists, contact your local service center or repair depot.

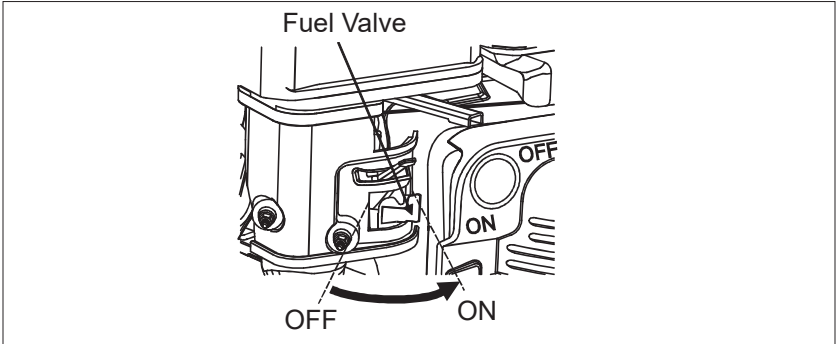
NOTICE

When the engine is running, continuously "Knocking" or "spark exploding" sound will damage engine.

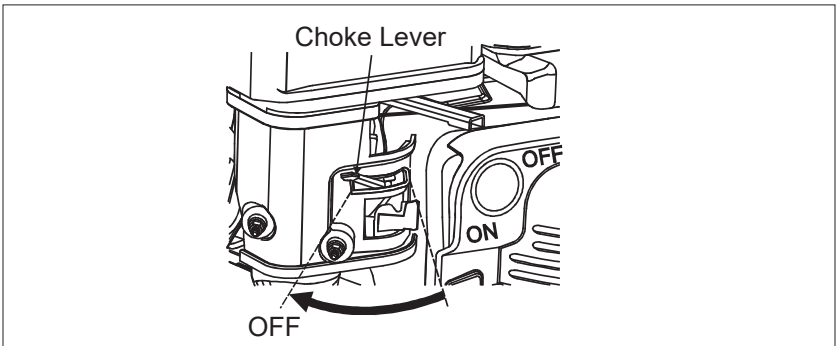
"Knocking" or "spark exploding" sound from misusing will not be covered under warranty.

Starting the Engine

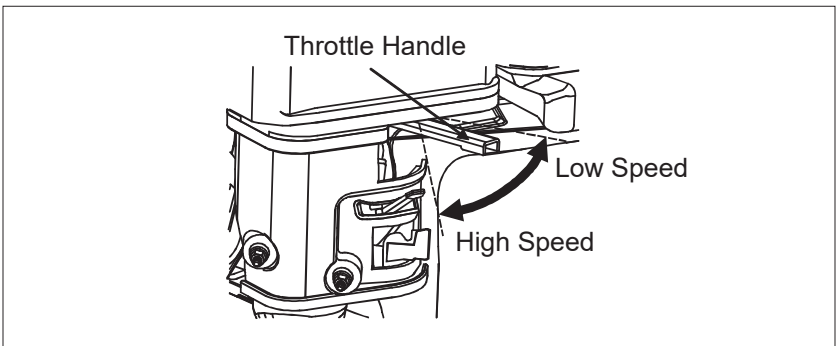
1. Turn the fuel valve to the "ON" (OPEN) position.



2. If cold-starting the engine, turn the choke lever to the "CLOSE" (OFF) position. If the gasoline engine is hot, don't close the choke.



3. Move throttle handle to the the left in small increments.

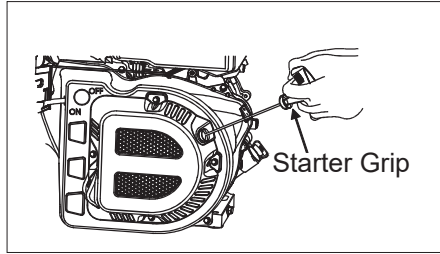
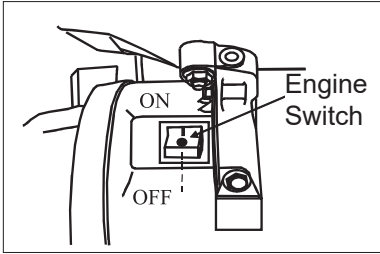




STARTING THE ENGINE

4. Start the Engine

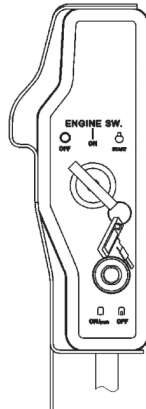
Recoil Starter: Turn the engine switch to the “ON” (OPEN) position. Pull the starter grip lightly until resistance is felt, then pull briskly.



NOTICE

Don't allow the starter grip to snap back against the engine. Return it gently to prevent damage to the starter.

Electric Starter (if applicable): Turn the engine switch to the “START” position, and hold it there until the gasoline engine starts. When the engine starts, allow the engine switch to return to the “ON” position.



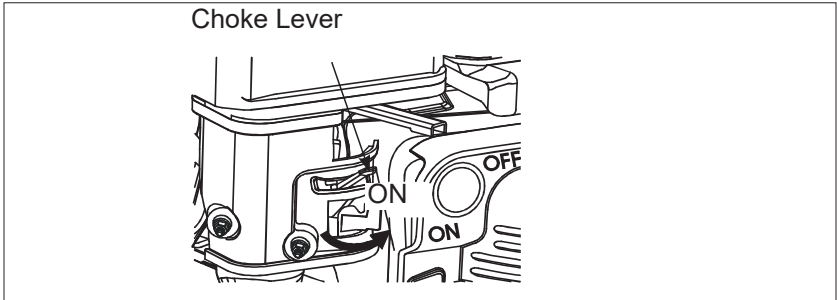
Engine Switch

NOTICE

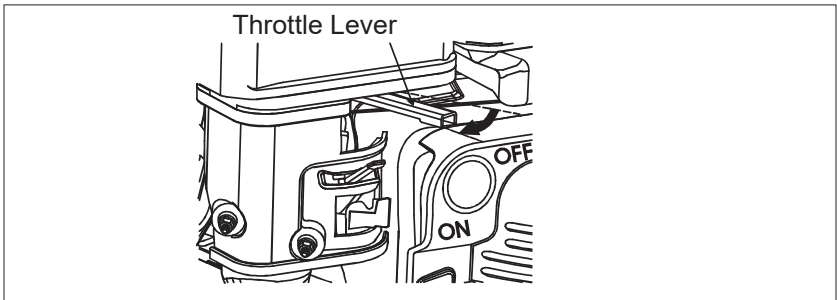
Do not use the starter for more than 5 seconds or starter motor damage may occur. If the engine fails to start, release the switch and wait 10 seconds before operating the starter again.

Running the Engine

1. Once the engine is warm (after about 10-15 seconds of running), move the choke back to the OPEN position.



2. Move the throttle lever to proper position to make the gasoline engine run at required velocity. Our engines are factory-tested at full throttle, so they can be consistently used at that level.



ENGINE OIL ALARM

The engine oil alarm is designed to function when the engine oil in the crankcase is insufficient. Lack of engine oil may damage the engine.

Once oil level in the crankcase is too low, the engine oil alarm will stall the engine automatically to reduce damage while the engine switch is still at "ON".

NOTICE

If you cannot restart the engine, check the engine oil level first



High Altitude Operation

At high altitude, the standard air-fuel mixture will be too rich. Performance will decrease and fuel consumption will increase. A very rich mixture will also foul the spark plug and cause hard starting. High altitude performance can be improved by specific modifications to the carburetor. If you always operate your engine at altitudes above 1000 meters, have your servicing dealer perform the necessary modifications (not covered under warranty).

NOTICE

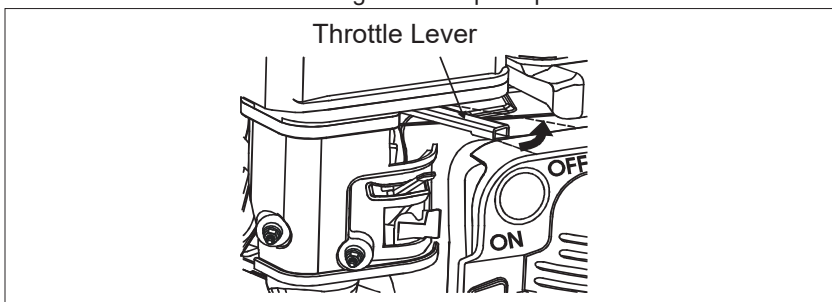
Modified engines applicable to altitude may be seriously damaged in areas below an altitude of 1000 meters due to overheating. This is because the mixture ratio is too lean for operation in a low altitude area. Operation at altitudes below 1000 meters with a modified carburetor may cause the engine to overheat and result in serious engine damage. This damage is not covered under warranty.

Stopping the Engine

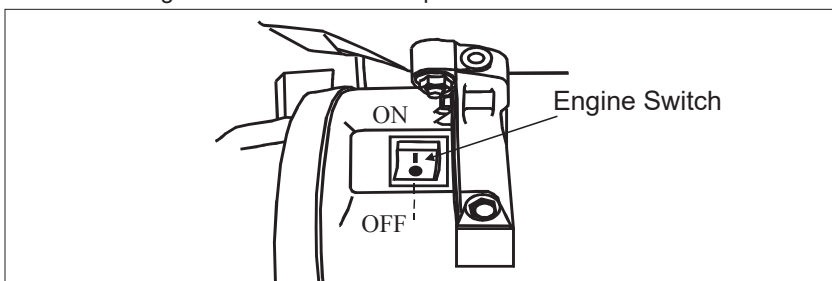
In emergency, push the engine switch to the "OFF" position.

In normal operation:

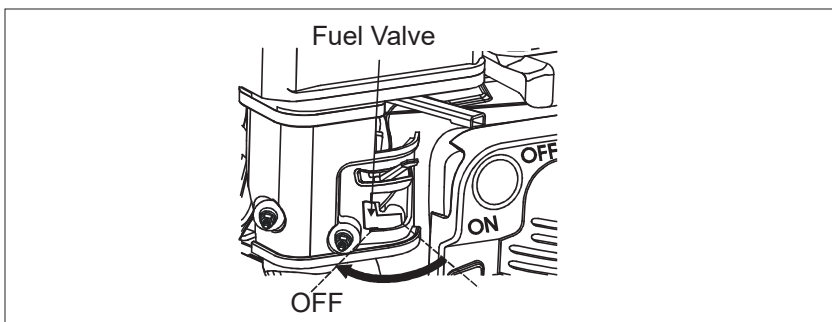
1. Push the throttle lever to the right to low speed position.



2. Push the engine switch to the "OFF" position.



3. Set the fuel valve to "OFF" position.



NOTICE

Sudden stopping at high speed under heavy load will result in damage to the engine.



Exhaust Control System

With the engine running, carbon monoxide, oxide of nitrogen and hydrocarbon will be produced. In certain conditions, oxide of nitrogen and hydrocarbon will chemically react to each other to produce carbon monoxide, an odorless toxic gas. As a result, exhaust control is very important.

To keep the exhaust of your engine in line with emission standards, ensure that you perform regular maintenance.

1. MAINTENANCE

Maintain the engine periodically in accordance with the maintenance schedule listed on the following page. The maintenance schedule is designed for normal use in normal conditions. If used under heavy load, dusty/wet conditions, or in high temperature, the engine should be serviced more frequently.

2. PROBLEMS AFFECTING EXHAUST EMISSIONS

- Difficult starting or stopping.
- Unstable idle speed.
- Black exhaust or high fuel consumption.
- Poor ignition sparks or backfire.
- Advanced ignition.



If you find or experience any of the problems listed above, contact your local service center for assistance.

Maintenance Schedule

In order to keep the gasoline engine operating properly, periodic service and engine adjustment must be performed. Follow the maintenance schedule below:

MAINTENANCE SCHEDULE						
		Each Use	First Month or 20hrs	Each Season or 50hrs	Every 6 Months or 100hrs	Every Year or 300hrs
Engine Oil	Oil Level Check	■				
	Replace		■		■	
Reduction Gear Oil	Oil Level Check	■				
	Replace		■		■	
Air Cleaner	Check	■				
	Clean			■	■	
	Replace					■
Deposit Cup	Clean				■	
Spark Plug	Clean/Adjust				■	
	Replace					■
Spark Arrester	Clean				■	
Idling	Check/Adjust					■
Valve Clearance	Check/Adjust					■*
Fuel Tank & Filter	Clean					■*
Fuel Supply Line	Check	Every Two Years (Replace if necessary)				
Cylinder Head & Piston Head	Clean Carbon	Every 125 hours*				

* These items should be serviced by an authorized servicing dealer, unless you have the proper tools and are mechanically proficient.

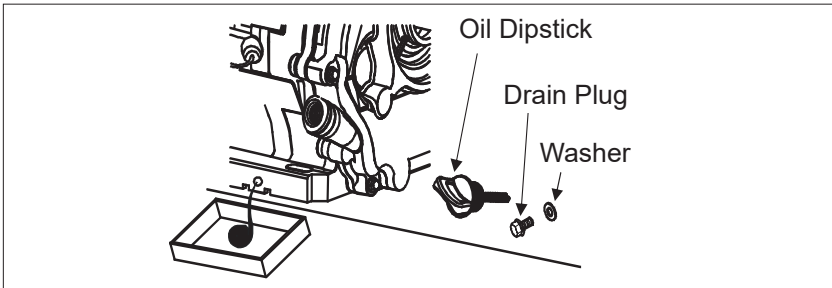
 WARNING	
	The exhaust emissions from the engine contain toxic carbon monoxide. Breathing it in may result in injury and even death.
Stop the engine before servicing. If service is required with the engine running, be sure to keep proper ventilation in the area. An open door or window does not supply sufficient ventilation. Ensure that you are using the engine in an outdoor setting only.	

REPLACING ENGINE OIL

1. Drain the engine oil rapidly and completely when the engine is hot.
Remember that hot surfaces can cause burns.
2. Unscrew the oil cap and drain plug to drain engine oil thoroughly. Reinstall the drain plug and screw in securely.
3. Fill the engine with SAE 10W30 oil up to the upper level mark.
4. Reinstall the oil filler cap.

NOTICE

Do not dump oil containers or discarded engine oil into garbage boxes or onto the ground. For environmental protection, we suggest you take discarded engine oil in a closed container to a local recycling station.

**AIR FILTER MAINTENANCE**

A dirty air filter can restrict air flowing into the carburetor. To keep the carburetor in good working condition, ensure that you service the air filter at regular intervals. If operating the engine in an extremely dusty area, maintenance must be performed more frequently.

⚠ WARNING

Never clean the air cleaner element with gasoline or low flash-point detergents, or explosion may occur.

NOTICE

Never run the engine without an air filter. Dirt and dust entering the engine can cause premature wear and tear.

1. Remove the air filter cover and take the element out.
2. Paper element: Wash the element with home detergents and warmwater (or non-flammable or high flash-point cleansing solvents) and dry. Foam element: Soak in clean engine oil until saturated. Squeeze out excess oil. Otherwise, the engine will smoke in starting stage.
3. Clean the air cleaner cover and inner surface with a wet cloth. Be careful not to allow dust to enter the carburetor.
4. Reinstall the element and put the air cleaner cover on.

SPARK PLUG

Spark plug type: BPR6ES (NGK) or NHSP LD F7RTC

In order to ensure normal running, the gap of the spark plug must be correct and there should be no deposits around the spark plug.

1. Remove the spark plug cap.
2. Clear away dirt around the spark plug base.
3. Dismantle the spark plug with a spark plug wrench.
4. Visually check the spark plug. Clean with a steel brush. If the insulator is damaged, replace the spark plug.
5. Measure the spark plug clearance with a feeler. The clearance should be 0.7~0.8mm. If adjustment is necessary, bend the electrode carefully. This may need to be done by a service technician.
6. Check if the spark plug gasket is in good condition. In order to avoid cross threading, screw in by hand.
7. Screw in the spark plug to the bottom first by hand and then screw in by a spark plug wrench and compress the gasket.
 - If a new spark plug is used, twist 1/2 turns after compressing the gasket.
 - If reinstalling the used spark plug, twist 1/8-1/4 turns.

WARNING



To avoid burns, do not touch the muffler.

NOTICE

The spark plug must be tightened securely, or it may become very hot and cause damage to the engine.

Transport and Storage

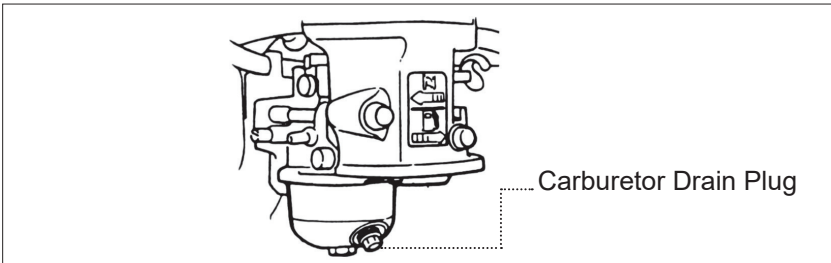
Transport with the fuel valve turned to the "OFF" position. Transport or store the engine when it is cool to avoid burns or fire.

NOTICE

To avoid spills, do not place the engine on an incline. Spilled fuel or fuel vapors may ignite and cause a fire.

If the engine is not kept in use for a long time, be sure to store it properly.

1. Make sure the storage area is dry and free of dust.
2. Turn the fuel valve to the "OFF" position and place a fuel container under the carburetor (as shown below).
3. Open the fuel valve to completely drain gasoline out of the fuel tank.
4. Reinstall the drain plug, ensuring that it is tight.

**⚠ WARNING**

Fuel is extremely flammable and explosive under certain conditions.

Keep smoke, fire and sparks away from operating site.

5. Drain the oil out of the engine. Refer to maintenance section for instructions on how to do so.
6. Remove the spark plug. Add approximately 1 tablespoon of fresh engine oil onto the cylinder. Crank the engine to distribute engine oil evenly. Reinstall the spark plug.
7. Electric starter: Remove the battery and store in dry and cool area. Charge once every month.
8. Cover the engine to prevent dust from entering.



Please maintain according to following table after storing.

Storing Time	Recommended Storage Procedure
1 Month	Not Necessary
1-2 Months	Drain the used gasoline and add fresh gasoline
2 Months - 1 Year	Drain the used gasoline and add fresh gasoline Drain the gasoline (1) out of the carburetor cup. Drain the gasoline (2) out of the sediment bowl.
Over 1 Year	Drain the used gasoline and add fresh gasoline Drain the gasoline (1) out of the carburetor cup. Drain the gasoline (2) out of the sediment bowl. After removing from storage, first, drain the used gasoline to proper container, and add fresh gasoline before starting. We recommend adding fuel stabilizer if storing for this amount of time.
Loosen the drain bolt and completely drain the gasoline out of the carburetor to proper container and screw the drain back tightly. Remove the sediment bowl after closing fuel valve, and completely pour the gasoline out the sediment bowl. Finally, reinstall the sediment bowl back and screw it down.	

Troubleshooting

ENGINE STARTING (BY USING RECOIL STARTER)


Trouble		Cause	Remedy	
Normal cylinder compression.	Normal spark plug spark.	Fuel supply is not smooth or no fuel supply.	There is not enough fuel in fuel tank and fuel valve is closed.	
			Air vent in the fuel filler cap is clogged.	
			Fuel valve is clogged.	
			Improper or clogged main oil flow hole.	
			Needle valve is not closed properly or start hole is clogged.	
			Float is damaged or sticking.	
		Fuel supply is normal.	Fuel is stale or dirty.	
			There is water in fuel.	
			Too much fuel in engine.	
			Wrong fuel type.	
	Normal fuel supply system.	Normal high-tension line spark.		Too much carbon deposit and dirt around electrodes.
				Electrodes or insulators damaged.
		Normal high-tension line spark.		Improper electrodes gap.
				High-tension line is damaged.
		Normal spark plug.		Ignition coil is damaged.
				Magnet has lost magnetism.
				Abnormal gap between ignition coil and flywheel.

Troubleshooting

ENGINE STARTING (BY USING RECOIL STARTER)

Trouble			Cause	Remedy
Abnormal cylinder compression.	Normal fuel supply system.	Normal spark plug.	Piston ring is worn.	Replace.
			Piston ring is broken.	Replace.
			Piston ring is sticking.	Clear up carbon fouling.
			Spark plug is not installed tightly or without a gasket.	Tighten with gasket installed.
			Air leakage between cylinder block and cylinder head.	Check cylinder gasket, and the flatness of the surface between cylinder block and cylinder head.
				Tighten cylinder head bolts to correct torque.
Air leakage in the valves.	Check valve clearance and tighten or repair as necessary.			

WARNING

	<ul style="list-style-type: none"> · When testing the spark plug, never hold the high-voltage wire of the spark plug with wet hands. · Make sure there is no spilled fuel outside the engine and that the spark plug isn't coated with fuel. · To prevent fire, keep sparks far away from the spark plug mounting hole.
------------------------------------------------------------------------------------	----------------------------------------------------------------------------------------------------------------------------------------------------------------------------------------------------------------------------------------------------------------------------------------------------------------------------------------------------------

Engine Starting (by using starter motor)

Item	Cause	Remedy
Check battery connection.	Incorrect connection.	Correct the connection.
Check battery.	No charge or under charge, corrosion.	Charge the battery or replace it.

Troubleshooting

GASOLINE ENGINE POWER OUTPUT INSUFFICIENCY

Trouble	Cause	Remedy	
When increasing throttle, speed increases slowly or even decreases and stops running.	Fuel supply system.	Air in fuel line or fuel line clogged.	Exhaust air or fuel line.
		Main flow hole is not adjusted properly.	Readjust.
		In carburetor, needle valve hole and main flow hole clogged	Clean by blowing carefully.
		Fuel valve is clogged up.	Clean, replace damaged part.
		Too much carbon deposit in combusting chamber.	Clear away.
		Too much carbon fouling in muffler and exhaust pipe.	Clear away.
		Air cleaner is clogged up.	Clean air cleaner filter element.
		Intake pipe is leaking.	Repair or replace.
	Poor compression.	Piston or cylinder or piston ring is worn.	Replace.
		Air leakage between the cylinder block and cylinder head.	Replace cylinder gasket
		Too large or too small valve clearance.	Readjust.
		Valve tightness.	Repair.

Troubleshooting

GASOLINE ENGINE RUNNING POORLY

Trouble	Cause	Remedy
Knocking sound	Piston, cylinder or piston ring is worn excessively.	Replace.
	Piston pin and piston pin hole are worn excessively.	Replace piston or piston pin.
	Tie rod small head is worn excessively.	Replace tie rod.
	Roller bearing for crankshaft main shaft is worn.	Replace roller bearing.
Abnormal combustion	Engine is too hot.	Check operating environment. If problem persists, see technician.
	Too much carbon deposit in combustion chamber.	Clear away.
	Improper gasoline or low gasoline quality.	Replace with correct gasoline.
Lacking Spark	There is water in float chamber.	Clean.
	Improper spark plug electrodes clearance.	Adjust.
	Ignition coil.	Check and replace damaged parts.

SUDDENLY STOPS WHEN RUNNING

Stop suddenly when running.	Fuel supply system.	Cause	Remedy
		Fuel is empty.	Refill fuel.
		Carburetor is clogged.	Check fuel line and clean.
		Float is leaking.	Repair.
	Needle valve is sticking.	Dismantle float chamber and clean.	
	Ignition system.	Spark plug is damaged, or short-circuited by carbon deposit.	Replace spark plug.
		Electrode of spark plug is damaged.	Replace spark plug.
		High-tension wire is damaged.	Replace spark plug.
		Ignition coil is punctured or short-circuited.	Replace ignition coil.
		Grounding wire is located on engine body.	Relocate ground wire.
		Cylinder is scored and/or dropped valve.	Repair or replace damaged parts.
	Other		

Troubleshooting

ENGINE IS OVERHEATING

TROUBLE	CAUSE	REMEDY
GASOLINE ENGINE IS OVERHEATING.	Insufficient oil volume.	Refill engine oil to correct level.
	Exhaust pipe blocked.	Clean exhaust pipe.
	Shroud leaking.	Repair damaged part.
	Cooling fins blocked by foreign matter.	Clear cooling fins.
	Cooling fan loose.	Reinstall.
	Connecting rod deformation making piston and cylinder bushing wear.	Replace connecting rod.
	Cylinder or piston or piston ring is worn.	Replace the worn parts.
	Improper adjustment of engine governor to produce high speed	Readjust engine governor.
	Crankshaft main bearing burnt out.	Replace main bearing.

ABNORMAL NOISE WHEN ENGINE IS RUNNING

TROUBLE	CAUSE	REMEDY
KNOCKING SOUND	Piston, piston ring or cylinder is worn.	Replace the worn part.
	Connecting rod or piston pin and piston pin hole are worn.	Replace the worn part.
	Crankshaft main neck is worn.	Replace bearing.
	Piston ring is broken.	Replace piston ring.
METAL TAPPING SOUND WHEN ABNORMAL COMBUSTION OCCURS	Too much carbon deposit in combustion chamber.	Clear away carbon deposit.
	Electrode clearance is too small.	Adjust electrode clearance.
	Excess fuel.	Check carburetor.
	Improper fuel type.	Drain fuel and replace.
	Engine is overheating.	Troubleshoot.
OTHER	Improper valve clearance.	Readjust valve clearance.
	Fly wheel is not tightly connected with the crankshaft.	Connect tightly.

Engine Specifications

MODEL	85.570.070 (225cc)	85.570.150 (420cc)
ENGINE TYPE	Single Cylinder, 4 Stroke, Forced Cooling OHV	Single Cylinder, 4 Stroke, Forced Cooling OHV
KEYED SHAFT	3/4"	1"
COMPRESSION RATIO	8:4:1	8:5:1
NET POWER OUTPUT	7.5 HP at 3600 RPM	13 HP at 3600 RPM
NET TORQUE	13 N.M at 2500 RPM	25 N.M at 2500 RPM
STARTING SYSTEM	Recoil Starter	Recoil Starter
CARBURETOR	Flat Suction Valve	Flat Suction Valve
LUBRICATION SYSTEM	Forced Splash	Forced Splash
GOVERNOR SYSTEM	Centrifugal Mechanical	Centrifugal Mechanical
AIR FILTER	Dual Element (Paper & Foam)	Dual Element (Paper & Foam)
OIL CAPACITY	0.6L	1.1L
FUEL CAPACITY	3.6L	6.7L
DIMENSIONS (MM)	440 x 350 x 355	420 x 450 x 460
NET WEIGHT	19.5 KG	33 KG



WARRANTY

CALIFORNIA AND FEDERAL EXHAUST AND EVAPORATIVE EMISSIONS CONTROL WARRANTY STATEMENT

YOUR WARRANTY RIGHTS AND OBLIGATIONS

The California Air Resources Board, the United States Environmental Protection Agency and Chongqing Rato Technology Co., Ltd. (Rato), are pleased to explain the exhaust and evaporative emissions (“emissions”) control system warranty on your 2019/2020 small off-road engine/equipment.

In California, new equipment that use small off-road engines must be designed, built, and equipped to meet the State’s stringent anti-smog standards. Rato must warrant the emissions control system on your small off-road engine/equipment for the period listed below provided there has been no abuse, neglect or improper maintenance of your small off-road engine/equipment leading to the failure of the emissions control system.

Your emissions control system may include parts such as the carburetor or fuel-injection system, the ignition system, catalytic converter, fuel tanks, fuel lines (for liquid fuel and fuel vapors), fuel caps, valves, canisters, filters, clamps and other associated components. Also included may be hoses, belts, connectors, and other emission-related assemblies.

Where a warrantable condition exists, Rato will repair your small off-road engine/equipment at no cost to you including diagnosis, parts and labor.

MANUFACTURER’S WARRANTY COVERAGE

The exhaust and evaporative emissions control system on your small off-road engine/equipment is warranted for two years. If any emissions-related part on your small off-road engine/equipment is defective, the part will be repaired or replaced by Rato.

OWNER’S WARRANTY RESPONSIBILITIES

As the small off-road engine/equipment owner, you are responsible for performance of the required maintenance listed in your owner’s manual. Rato recommends that you retain all receipts covering maintenance on your small off-road engine/equipment, but Rato cannot deny warranty coverage solely for the lack of receipts or for your failure to ensure the performance of all scheduled maintenance.

As the small off-road engine/equipment owner, you should however be aware that Rato may deny your warranty coverage if your small off-road engine/equipment or a part has failed due to abuse, neglect, or improper maintenance or unapproved modifications.

You are responsible for presenting your small off-road engine/equipment to a Rato

WARRANTY



distribution center or service center as soon as the problem exists. The warranty repairs shall be completed in a reasonable amount of time, not to exceed 30 days.

If you have any questions regarding your warranty rights and responsibilities, you should contact BE POWER EQUIPMENT at 1-800-663-8331 (free phone) or Email at info@bepressure.com

DEFECTS WARRANTY REQUIREMENTS

A - The warranty period begins on the date the small off-road engine/equipment is delivered to an ultimate purchaser.

B - General Emissions Warranty Coverage. Rato warrants to the ultimate purchaser and each subsequent owner that the engine or equipment is:

1. Designed, built, and equipped so as to conform with all applicable regulations adopted by the Air Resources Board; and
2. Free from defects in materials and workmanship that causes the failure of a warranted part for a period of two years.

C - The warranty on emission-related parts will be interpreted as follows:

1. Any warranted part that is not scheduled for replacement as required maintenance in the written instructions must be warranted for the warranty period defined in Subsection (b)(2). If any such part fails during the period of warranty coverage, it must be repaired or replaced by Rato according to Subsection (4) below. Any such part repaired or replaced under the warranty must be warranted for the remaining warranty period.
2. Any warranted part that is scheduled only for regular inspection in the written instructions must be warranted for the warranty period defined in Subsection (b) (2). A statement in such written instructions to the effect of "repair or replace as necessary" shall advise owners of the warranty coverage for emissions related parts. Replacement within the warranty period is covered by the warranty and will not reduce the period of warranty coverage. Any such part repaired or replaced under warranty must be warranted for the remaining warranty period.
3. Any warranted part that is scheduled for replacement as required maintenance in the written instructions must be warranted for the period of time prior to the first scheduled replacement point for that part. If the part fails prior to the first scheduled replacement, the part must be repaired or replaced by Rato according to Subsection (4) below. Any such part repaired or replaced under warranty must be warranted for the remainder of the period prior to the first scheduled replacement point for the part.
4. Repair or replacement of any warranted part under the warranty provisions must be performed at no charge to the owner at a warranty station.



WARRANTY

5. Notwithstanding the provisions of Subsection (4) above, warranty services or repairs must be provided at distribution centers that are franchised to service the subject engine/equipment.
6. The owner must not be charged for diagnostic labor that leads to the determination that a warranted part is in fact defective, provided that such diagnostic work is performed at a warranty station.
7. Rato is liable for damages to other engine/equipment components proximately caused by a failure under warranty of any warranted part.
8. Throughout the emissions control system's warranty period set out in subsection (b)(2), Rato must maintain a supply of warranted parts sufficient to meet the expected demand for such parts and must obtain additional parts if that supply is exhausted.
9. Manufacturer-approved replacement parts that do not increase the exhaust or evaporative emissions of the engine or emissions control system must be used in the performance of any warranty maintenance or repairs and must be provided without charge to the owner. Such use will not reduce the warranty obligations of Rato.
10. Add-on or modified parts that are not exempted by the Air Resources Board may not be used. The use of any non-exempted add-on or modified parts will be grounds for disallowing a warranty claim. Rato will not be liable to warrant failures of warranted parts caused by the use of a non-exempted add-on or modified part.
11. Rato issuing the warranty shall provide any documents that describe that warranty procedures or policies within five working days of request by the Executive Officer.

D - Emission Warranty Parts List for Exhaust

1. Fuel Metering System
 - Carburetor and internal parts (and/or pressure regulator or fuel injection system).
 - Air/fuel ratio feedback and control system.
 - Cold start enrichment system.
2. Air Induction System
 - Controlled hot air intake system.
 - Intake manifold.
 - Air filter.
3. Ignition System
 - Spark Plugs.
 - Magneto or electronic ignition system.
 - Spark advance/retard system.
4. Exhaust Gas Recirculation (EGR) System
 - EGR valve body, and carburetor spacer if applicable.
 - EGR rate feedback and control system.
5. Air Injection System
 - Air pump or pulse valve.

- Valves affecting distribution of flow.
- Distribution manifold.
- 6. Catalyst or Thermal Reactor System
 - Catalytic converter.
 - Thermal reactor.
 - Exhaust manifold.
- 7. Particulate Controls
 - Traps, filters, precipitators, and any other device used to capture particulate emissions.
- 8. Miscellaneous Items Used in Above Systems
 - Electronic controls.
 - Vacuum, temperature, and time sensitive valves and switches.
 - Hoses, belts, connectors, and assemblies.

E - Emission Warranty Parts List for Evap

1. Fuel Tank
2. Fuel Cap
3. Fuel Lines (for liquid fuel and fuel vapors)
4. Fuel Line Fittings
5. Clamps*
6. Pressure Relief Valves*
7. Control Valves*
8. Control Solenoids*
9. Electronic Controls*
10. Vacuum Control Diaphragms*
11. Control Cables*
12. Control Linkages*
13. Purge Valves*
14. Gaskets*
15. Liquid/Vapor Separator
16. Carbon Canister
17. Canister Mounting Brackets
18. Carburetor Purge Port Connector

*Note: As they relate to the evaporative emission control system.

Rato will furnish with each new small off-road engine/equipment written instructions for the maintenance and use of the engine/equipment by the owner.



MAINTENANCE NOTES



BE

THE POWER YOU NEED.

If you need assistance with the assembly
or operation of your Generator please call

1-866-850-6662

1-866-850-6662

**Si vous avez besoin d'aide avec
l'assemblage ou l'utilisation de votre
génératrice, veuillez appeler au**

THE POWER YOU NEED.

BE





* Remarque: En ce qui concerne le système de contrôle des émissions par évaporation, Rato fournira avec chaque nouveau petit moteur / équipement tout-terrain des instructions écrites pour son entretien et son utilisation par le propriétaire.aavv

1. Réservoir d'essence
2. Bouchon du réservoir d'essence
3. Lignes de carburant (pour le carburant liquide et les vapeurs de carburant)
4. Raccords de conduite de carburant
5. Pincés *
6. Soupapes de décharge de pression*
7. Vannes de contrôle *
8. Solénoïdes de contrôle *
9. Commandes électroniques *
10. Diaphragmes de contrôle du vide *
11. Câbles de contrôle *
12. Liens de contrôle *
13. Vannes de purge *
14. Joints *
15. Séparateur Liquide / Vapeur
16. Bidon de carbone
17. Supports de montage de bidon
18. Connecteur du port de purge du carburateur

E - Liste des pièces sous garantie des émissions pour Evap

- Réacteur thermique.
- Collecteur d'échappement.
- 7. Contrôle des particules
- Les pièges, filtres, précipitateurs et tout autre dispositif utilisé pour capter les émissions de particules.
- 8. Divers articles utilisés dans les systèmes ci-dessus
- Commandes électroniques.
- Vannes et interrupteurs sensibles au vide, à la température et au temps.
- Tuyaux, courroies, connecteurs et assemblages.



GARANTIE

1. Système de dosage de carburant
 - Carburateur et pièces internes (et / ou régulateur de pression ou système d'injection de carburant).
 - Contrôle du rapport air / carburant et système de contrôle.
 - Système d'enrichissement à démarrage à froid.
2. Système d'induction d'air
 - Système d'admission d'air chaud contrôlé.
 - Tubulure d'admission.
 - Filtre à air.
 - Système de mise à feu
3. Système de mise à feu
 - Bougies.
 - Magnéto ou allumage électronique.
4. Système de recyclage des gaz d'échappement (EGR)
 - Corps de la vanne EGR et entree-toise de carburateur, le cas échéant.
 - Système de retour et de contrôle du taux EGR.
5. Système d'injection d'air
 - Pompe à air ou valve à impulsion.
 - Les vannes affectant la distribution du flux.
 - Collecteur de distribution.
6. Catalyseur ou système de réacteur thermique
 - Convertisseur catalytique.

D - Liste des pièces sous garantie des émissions pour échappement

l'administrateur

Ratio émettant la garantie doit fournir tous les documents décrivant ces procédures ou politiques de garantie dans les cinq jours ouvrables suivant la demande de

ajoutée ou modifiée non exempte.

garantir les défaillances des pièces sous garantie causées par l'utilisation d'une pièce

Les pièces ajoutées ou modifiées qui ne sont pas exemptées par le air resources board ne peuvent pas être utilisées. L'utilisation de pièces ajoutées ou modifiées non exemptées constituera un motif de rejet d'une demande de garantie. Ratio ne sera pas tenu de

Les pièces de rechange approuvées par le fabricant qui n'augmentent pas les émissions d'échappement ou d'évaporation du moteur ou du système de contrôle des émissions doivent être utilisées dans le cadre de tout entretien ou réparation sous garantie et doivent être fournies sans frais pour le propriétaire. une telle utilisation ne réduira pas les obligations de garantie de ratio.

si cette fourniture est épuisée.

Ratio est responsable des dommages subis par d'autres composants du moteur / de l'équipement et causés par une défaillance sous garantie de toute pièce sous garantie pendant toute la période de garantie du système de contrôle des émissions définie au paragraphe (b) (2); ratio doit maintenir un nombre de pièces sous garantie suffisant pour répondre à la demande attendue pour ces pièces et obtenir des pièces supplémentaires

diagnostic soit effectué dans un centre de garantie.

Si vous avez des questions concernant vos droits et responsabilités en matière de garantie, vous devez contacter le power equipment au 1-800-663-8331 (téléphone gratuit) ou par courrier électronique à l'adresse info@depressure.com.

DÉFAUTS EXIGENCES DE LA GARANTIE

A - La période de garantie commence à la date à laquelle le petit moteur / équipement tout-terrain est livré à l'acheteur final.

B - Couverture générale de la garantie des émissions: ratio garanti à l'acheteur final et à chaque propriétaire ultérieur que le moteur ou l'équipement est:

Conçus, construits et équipés de manière à être conformes à tous les règlements applicables adoptés par le air resources board; et exempt de défauts de matériaux et de fabrication entraînant la défaillance d'une pièce sous garantie pendant une période de deux ans.

C - La garantie sur les pièces liées aux émissions sera interprétée comme suit:

Toutte pièce garantie dont le remplacement n'est pas planifié comme prévu dans les instructions écrites doit être garantie pour la période de garantie définie à la sous-section (b) (2). si l'une de ces pièces tombe en panne pendant la période de garantie, elle doit être réparée ou remplacée par ratio conformément au paragraphe (4) ci-dessous. toute pièce réparée ou remplacée dans le cadre de la garantie doit être garantie pour la période de garantie restante.

Toutte pièce sous garantie qui ne doit être inspectée régulièrement dans les instructions écrites que pour une inspection régulière doit être garantie pour la période de garantie définie à l'alinéa (b) (2). une déclaration dans de telles instructions écrites à l'effet de «réparer ou remplacer si nécessaire» informera les propriétaires de la couverture de la garantie pour les pièces liées aux émissions. le remplacement effectué pendant la période de garantie est couvert par la garantie et ne réduira pas la période de couverture. toute pièce de ce type réparée ou remplacée sous garantie doit être garantie pour la période de garantie dont le remplacement est programmé conformément aux instructions écrites doit être justifiée pour la période par défaut avant le premier remplacement prévu, elle doit être réparée ou remplacée par ratio conformément au paragraphe (4) ci-dessous. toute pièce réparée ou remplacée sous garantie doit être garantie pour le reste de la période précédant le premier remplacement prévu de la pièce.

la réparation ou le remplacement de toute pièce garantie en vertu des dispositions de la garantie doit être effectué sans frais pour le propriétaire dans un centre de garantie. nonobstant les dispositions du paragraphe (4) ci-dessus, des services de garantie ou des réparations doivent être fournis dans des centres de distribution franchisés pour assurer la maintenance du moteur / équipement en question.

Le propriétaire ne doit pas être facturé pour le travail de diagnostic menant à la conclusion qu'une pièce garantie est effectivement défectueuse, à condition que ce travail de



Vous êtes responsable de présenter votre petit moteur / équipement tout-terrain à un centre de distribution ou de service après-vente ratio dès que le problème existe. les réparations sous garantie doivent être effectuées dans un délai raisonnable ne dépass-

gence, d'un mauvais entretien ou de modifications non approuvées.
savoir que ratio peut refuser votre couverture de garantie si votre petit moteur / équipe-
ment tout-terrain ou une pièce est tombé en panne en raison d'un abus, d'une négligence, d'un mauvais entretien ou de modifications non approuvées.

En tant que propriétaire de petit moteur / équipement hors route, vous devez toujours garantir uniquement pour le manque de pièces ou pour ne pas avoir assuré l'exécution de toutes les tâches de maintenance programmées.

En tant que propriétaire de petit moteur / d'équipement hors route, vous êtes responsable de l'exécution de l'entretien requis indiqué dans votre manuel du propriétaire. ratio vous recommande de conserver tous les reçus concernant la maintenance de votre petit moteur / équipement tout-terrain, mais ratio ne peut pas refuser la couverture de la garantie uniquement pour le manque de pièces ou pour ne pas avoir assuré l'exécution de toutes les tâches de maintenance programmées.

RESPONSABILITÉS DE LA GARANTIE DU PROPRIÉTAIRE

Le système de contrôle des gaz d'échappement et de l'évaporation sur votre petit moteur / équipement tout-terrain est garanti pendant deux ans. si une pièce liée aux émissions de votre petit moteur / équipement tout-terrain est défectueuse, elle sera réparée ou remplacée par ratio.

COUVERTURE DE GARANTIE DU FABRICANT

Lorsqu'il existe une condition de garantie, ratio réparera gratuitement votre petit moteur / équipement tout-terrain, diagnostic, pièces et main-d'œuvre compris.

Votre système de contrôle des émissions peut inclure des pièces telles que le carburateur ou le système d'injection de carburant, le système d'allumage, le convertisseur catalytique, les réservoirs de carburant, les conduites de carburant (pour le carburant liquide et les vapeurs de carburant), les bouchons de carburant, les soupapes, les filtres, les colliers de serrage et autres composants associés. sont également inclus les tuyaux, courroies, connecteurs et autres ensembles liés aux émissions.

En Californie, les nouveaux équipements utilisant de petits moteurs tout-terrain doivent être conçus, construits et équipés pour répondre aux normes strictes de l'état en matière de lutte contre le smog. ratio doit garantir le système de contrôle des émissions de votre petit moteur / équipement tout-terrain pour la période indiquée ci-dessous, à condition qu'aucun abus, négligence ou mauvais entretien de votre petit moteur / équipement non-route n'ait entraîné l'échec du système de contrôle des émissions.

California air resources board, l'environnemental protection agency des états-unis et chongqing ratio technology co., ltd. (ratio) ont le plaisir de vous expliquer la garantie du système de contrôle des émissions et des émissions par évaporation («émissions») de votre petit appareil 2019/2020. moteur / équipement de route.

VOUS DROITS ET OBLIGATIONS DE GARANTIE

DÉCLARATION DE GARANTIE DE LA CALIFORNIE ET DU GOUVERNEMENT FÉDÉRAL SUR LES ÉMISSIONS D'ÉCHAPPEMENT ET L'ÉVAPORATION

MODELE	TYPE DE MOTEUR	ARBRE À CLÉ	RATIO DE COMPRES- SION	PUISSANCE NETTE DE SORTIE	COUPLE NET	SYSTÈME DE DÉMAR- RAGE	CARBURATEUR	SYSTÈME DE LUBRIFI- CATION	SYSTÈME DU GOUVER- NEUR	FILTRE À AIR	CAPACITÉ D'HUILE	CAPACITÉ DE CARBU- RANT	DIMENSIONS (MM)	POIDS NET
85.570.070 (225CC)	Cylindre simple, 4 temps, refroidissement forcé OHV	3/4"	8:4:1	7,5 HP at 3600 RPM	13 N.M at 2500 RPM	Démarreur de recul	Soupape d'aspiration plate	Splash forcé	Centrifuge mécanique	Double élément (papier et mousse)	0.6L	3.6L	440 X 350 X 355	19,5 KG
85.570.150 (420CC)	Cylindre simple, 4 temps, refroidissement forcé OHV	1"	8:5:1	13 HP at 3600 RPM	25 N.M at 2500 RPM	Démarreur de recul	Soupape d'aspiration plate	Splash forcé	Centrifuge mécanique	Double élément (papier et mousse)	1.1L	6.7L	420 X 450 X 460	33 KG

Spécifications



Item	Spécifications	
	N · m	Kg · m
Boulon de raccordement	13	1.3
Vis de culasse	35	3.5
Écrou de la flywheel	85	8.5
Écrou de blocage de l'arbre du bras oscillant	10	1.0
Tige du bras oscillant	24	2.4
Boulon de carter	28	2.8

TENSION DES BOULONS IMPORTANTS

Item	Valeur
Dégagement des bougies d'allumage	0.7 - 0.8mm
Dégagement des soupapes	Entrée: 0.10-0.15mm Sortie: 0.15-0.20mm

INFORMATION TECHNIQUES

Problème	Cause	Solution
Bruit de cognement	Le piston, l'anneau du piston ou le cylindre sont usés.	Remplacez la pièce usée.
	La tige de branchement ou l'attache du piston et le trou de l'anneau du piston sont usés	Remplacez les pièces usées.
	L'angle principal du vilebrequin est usé.	Remplacez l'angle.
	L'anneau du piston est brisé.	Remplacez l'anneau du piston.
Bruit de métal en présence d'une combustion anormale.	Dépôt de carbone trop élevé dans la chambre de combustion.	Nettoyez.
	L'espacement de l'électrode de la bougie d'allumage est trop petit.	Ajustez l'espacement de l'électrode.
	Surplus d'essence.	Vérifiez le carburateur.
	Mauvais type d'essence.	Remplacez l'essence.
	Le moteur surchauffe.	Dépannez.
	L'espacement de la valve est inapproprié	Ajustez l'espacement de la valve.
	L'arbre à cam n'est pas bien fixé au volant.	Branchez fermement.
	Autre	

BRUIT ANORMAL LORSQUE LE MOTEUR EST EN MARCHÉ

Problème	Cause	Solution
Le moteur à essence surchauffe	Volume d'huile insuffisant.	Ajoutez la bonne quantité d'huile moteur.
	Pot d'échappement bouché.	Nettoyez le pot d'échappement.
	Fuite du flasque.	Réparez les pièces endommagées.
	Grilles de sortie obstruées.	Nettoyez les grilles de sortie.
	Le ventilateur est mal fixé.	Réinstallez.
	Déformation de la bielle provoque l'usure anormale du piston et du cylindre.	Remplacez la bielle.
	Le cylindre, le piston ou l'anneau du piston sont usés.	Remplacez les pièces usées.
	Le contrôleur du moteur est mal ajusté pour augmenter la vitesse.	Réajustez le contrôleur du moteur.
	Le roulement principal du vilebrequin est brulé.	Remplacez le roulement principal.

LE MOTEUR SURCHAUFFE

Dépannage



Problème		Arrêt brusque lors du fonctionnement									
Solution	Cause	Système d'alimentation en carburant					Système d'allumage				
		Manque d'essence.					Le câble de haute tension est usé ou endommagé.				
		Le carburateur est figé.					L'électrode de la bougie d'allumage est usée.				
		Vérifiez et nettoyez les conduits d'essence.					La bougie d'allumage est endommagée ou court-circuitée par le dépôt de carbone.				
		Réparez.					L'aiguille de la valve reste collée.				
		Il y a une fuite.					Démontez la chambre de flottaison et nettoyez.				
		Ajoutez de l'essence.					Remplacez la bougie d'allumage.				
		Remplacez la bougie d'allumage.					Remplacez la bougie d'allumage.				
		Le fil de l'ignition est percé ou court-circuité.					Le fil de mise à la terre est branché sur le châssis du moteur.				
		Remplacez le fil d'ignition.					Le cylindre est endommagé et/ou la valve est affaïssée.				
Reparé ou remplacez les pièces endommagées.					Reparé ou remplacez les pièces endommagées.						

ARRÊTE SOUDAINEMENT LORSQU'EN MARCHÉ

Problème		Cause		Solution	
Bruit de cognement	Piston, cylindre ou anneau de piston sont usés excessivement.	Remplacez.	L'attache du piston ou le trou de la petite tête de la tige de connexion est usée excessivement.	Remplacez la tige de connexion.	Remplacez le piston ou l'attache du piston.
Combustion anormale	Le moteur est trop chaud.	Vérifiez et inspectez.	Dépôt de carbone trop élevé dans la chambre de combustion.	Dépôt de carbone trop élevé dans la chambre de combustion.	Mauvais type d'essence ou niveau d'essence insuffisant.
Manque d'étincelle	Espacement des électrodes de la bougie d'allumage insuffisant.	Ajustez.	Lanceur à rappel.	Vérifiez et remplacez les pièces défectueuses.	Mauvais type d'essence ou niveau d'essence insuffisant.

LE MOTEUR À ESSENCE NE FONCTIONNE PAS AVEC FLUIDITÉ



Dépannage

LA PUissance DE SORTIE DU MOTEUR EST INSUFFISANTE

Problème	Lorsque vous augmentez la vitesse, elle augmente faiblement ou diminue et le moteur arrête.	
Cause	Système d'ajout d'essence.	Mauvaise compression.
	Présence d'air dans le conduit d'essence ou le conduit bouche. Le trou de conduit principal n'est pas ajusté. Le carburateur, le trou de l'aiguille et le trou principal sont bouchés. La valve d'essence est bouchée. Trop de dépôt de carbone dans la chambre de compression. Trop de dépôt de carbone dans le système et le pôt d'échappement. Le filtre à air est bouché.	Le tuyau d'apport fuit. Le piston, l'anneau du piston ou le cylindre sont usés. Fuite d'air entre le bloc et la tête de cylindre. Espacement de la valve. Solidité de la valve.
Solution	Videz l'air ou nettoyez le conduit. Réajustez. Nettoyez en soufflant délicatement. Nettoyez et remplacez les pièces usées. Nettoyez. Nettoyez. Trop de dépôt de carbone dans le système et le pôt d'échappement. Nettoyez l'élément du filtre à air. Réparez ou remplacez. Réparez ou remplacez. Le tuyau d'apport fuit. Le piston, l'anneau du piston ou le cylindre sont usés. Fuite d'air entre le bloc et la tête de cylindre. Espacement de la valve. Solidité de la valve.	Réparez. Ajustez. Remplacez le joint. Remplacez. Réparez ou remplacez. Nettoyez l'élément du filtre à air. Nettoyez. Nettoyez. Nettoyez et remplacez les pièces usées. Nettoyez. Nettoyez. Réajustez. Nettoyez en soufflant délicatement. Nettoyez et remplacez les pièces usées. Réparez ou remplacez. Réparez.

Pièce	Cause	Solution
Vérifiez le branchement de la pile.	Mauvais branchement.	Branchez correctement.
Vérifiez la pile.	Pas de charge ou charge incomplète, corrosion.	Chargez la pile ou remplacez-la.

DÉMARRAGE DU MOTEUR (UTILISATION DU DÉMARREUR)

 	<p>· Lorsque vous testez la bougie, ne touchez jamais au fil de haute tension avec les mains mouillées.</p> <p>· Assurez vous de ne jamais faire déborder l'essence à l'extérieur du moteur et que le bougie d'allumage n'est pas en contact avec de l'essence.</p> <p>· Afin de prévenir un feu, gardez les étincelles à bonne distance du trou d'installation de la bougie.</p>
⚠ DANGER	

Problème	Cause	Solution
Vérifiez l'espacement de la valve et serrez ou réparez au besoin. Système de distribution d'essence. Bougie d'allumage normale.	L'anneau de piston est usé.	Remplacez.
	L'anneau de piston est brisé.	L'anneau de piston est brisé.
Vérifiez l'espacement de la valve et serrez ou réparez au besoin. Système de distribution d'essence. Bougie d'allumage normale.	L'anneau de piston colle.	Nettoyez les accumulations de carbone.
	La bougie d'allumage est mal installée ou sans rondelle.	Vissez fermement avec la rondelle en place.
	Fuite d'air entre le bloc et la tête du cylindre.	Vérifiez le joint du cylindre et le niveau de la surface entre le bloc et la tête du cylindre.
	Fuite d'air dans la valve.	Serrez le boulon de la tête du cylindre à la bonne couple.
		Vérifiez l'espacement de la valve et serrez ou réparez au besoin.

DÉMARRAGE DU MOTEUR (UTILISATION DU LANCEUR À RAPPEL)

Dépannage


DÉMARRAGE DU MOTEUR (PAR UTILISATION DU LANCEUR À RAPPEL)

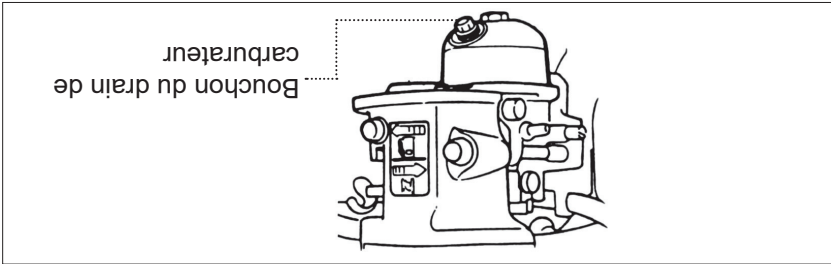
Compression du cylindre normale.	
Problème	Système de conduit d'essence normal.
	Étincelle normale.
Problème	Quelque chose ne fonctionne pas dans le système.
	Étincelle normale de la bougie d'allumage.
Cause	L'apport d'essence est irrégulier ou inexistant. La prise d'air dans le bouchon du conduit d'ajout d'essence est bloqué. La valve d'essence est bloquée. La valve d'essence est bloquée. Conduit principal d'huile bloqué. L'ajustement ou nettoyage, soufflez pour ouvrir. Démontez l'aiguille de la valve et réparez, nettoyez, soufflez pour ouvrir. La poutre est endommagée ou collante. Réparez le flotteur. L'essence est trop souillée. L'essence est trop souillée. Présence d'eau dans l'essence. Remplacez.
	Trop d'huile à moteur. Drainez le surplus d'essence, essuyez les électrodes. Mauvais type d'huile. Choisissez le bon type d'huile. Trop de dépôt de carbone et de saleté sur les électrodes. Nettoyez.
Cause	L'essence est trop souillée. L'essence est trop souillée. Présence d'eau dans l'essence. Remplacez.
	L'apport d'essence est irrégulier ou inexistant. La prise d'air dans le bouchon du conduit d'ajout d'essence est bloquée. La valve d'essence est bloquée. La valve d'essence est bloquée. Conduit principal d'huile bloqué. L'ajustement ou nettoyage, soufflez pour ouvrir. Démontez l'aiguille de la valve et réparez, nettoyez, soufflez pour ouvrir. La poutre est endommagée ou collante. Réparez le flotteur. L'essence est trop souillée. L'essence est trop souillée. Présence d'eau dans l'essence. Remplacez.
Solution	Il manque d'essence dans le réservoir et la valve d'essence est fermée. Ajoutez de l'essence et ouvrez la valve.
	Nettoyez les grilles d'air. La prise d'air dans le bouchon du conduit d'ajout d'essence est bloquée. La valve d'essence est bloquée. Nettoyez.
Solution	Remplacez la bougie d'allumage.
	Espacez les électrodes. Ajustez.
Solution	Le fil de haute tension est endommagé. Remplacez.
	Le fil du démarreur est endommagé. Remplacez.
Solution	Le magnéto perd du magnétisme. Remplacez.
	Espacez anormal entre le fil d'ignition et le volant.

Durée de la période d'entreposage	Procédure d'entreposage
1 Mois	Pas nécessaire.
Pas nécessaire.	Drainez l'essence usée et ajoutez de la nouvelle essence
2 Mois - 1 An	Drainez l'essence usée et ajoutez de l'essence propre. Drainez l'essence (1) du carburateur. Drainez l'essence (2) à l'extérieur du réservoir à résidu.
Après 1 an	Drainez l'essence usée et ajoutez de l'essence propre. Drainez l'essence (1) du carburateur. Drainez l'essence (2) à l'extérieur du réservoir à résidu. Après un entreposage prolongé, drainez l'essence usée en premier, dans un contenant.
Dévissez la vis du drain et drainez complètement l'essence du carburateur dans un contenant approprié puis placez la vis solidement. Retirez le contenant à sédiment après avoir fermé la valve d'essence et videz-le complètement. Réinstallez le contenant et vissez le.	

Faites les entretiens selon le tableau suivant après un entreposage.

5. Drainez l'huile du moteur.
6. Retirez la bougie d'allumage. Ajoutez approximativement 1 cuillère à table d'huile à moteur propre dans le cylindre. Faites tourner le moteur à l'aide du lanceur à rappel afin de distribuer l'huile. Réinstallez la bougie d'allumage.
7. Démarrateur électrique : Retirez la pile et entreposer dans un endroit sec et frais. Rechargez tous les mois.
8. Recouvrez le moteur afin de le protéger de la poussière.

Gardez la fumée, le feu et les étincelles à distance du lieu d'utilisation.	
	L'essence est extrêmement inflammable et explosive dans certaines conditions.
▲ DANGER	





1. Assurez-vous d'entreposer l'appareil dans un endroit sec et sans poussière et saleté.
 2. Placez la valve d'essence à la position « Arrêt » (OFF) et placez un contenant sous le carburateur (voir fig.)
 3. Ouvrez la valve complètement afin de drainer l'essence du réservoir.
 4. Réinstallez le bouchon du drain solidement.
- Si le moteur n'est pas utilisé pour une longue période de temps, assurez-vous qu'il est entreposé de façon appropriée.

Ne penchez pas l'appareil afin d'éviter les débordements. Les éclaboussures ou débordements pourraient prendre feu et provoquer un incendie.

AVERTISSEMENT

Transport et entreposage
Placez toujours la valve d'essence à la position « Arrêt » (OFF) lors du transport de l'appareil. Transportez ou entreposez toujours l'appareil lorsqu'il est froid afin d'éviter les blessures et les incendies.



AVIS	
 WARNING	
Afin d'éviter des brûlures, ne touchez pas au pot d'échappement.	
La bougie d'allumage doit être vissée solidement car elle pour devenir très chaude et endommager le moteur.	

- Bougie d'allumage**
- Type de bougie d'allumage: BPR6ES (NGK) ou NHSP LD F7RTC
- Afin d'assurer un fonctionnement normal de l'appareil, l'espacement de la bougie d'allumage doit être en conformité avec les spécifications et il ne doit pas y avoir de dépôts au tour de la bougie.
1. Retirez le capuchon de la bougie.
 2. Nettoyez toute saleté autour de la base de la bougie d'allumage.
 3. Dévissez la bougie à l'aide d'une clé appropriée, prévue à cet effet.
 4. Vérifiez la bougie visuellement. Nettoyez la avec une brosse d'acier. Si l'isolant est endommagé, remplacez la bougie.
 5. Mesurez l'espacement de la bougie. Il devrait être de 0,7-0,8mm. Si un ajustement est nécessaire, pliez l'électrode délicatement.
 6. Vérifiez si le joint de la bougie d'allumage est en bonne condition. Afin d'éviter d'endommager le filetage, vissez-la à la main.
 7. Vissez la bougie d'allumage en premier à la main et utilisez la clé afin de compresser le joint.
- Si la bougie est neuve, tournez 1/2 tour après la compression du joint.
 - Si la bougie est usagée, tournez 1/8-1/4 tour.

1. Retirez le couvercle du filtre à air et retirez l'élément.
 2. Élément de papier : Nettoyez l'élément avec un détergent domestique et de l'eau tiède (Ou non inflammable ou avec un détergent à température d'inflammation élevée) et séchez le.
- Élément en mousse: Immergez le dans l'huile jusqu'à ce qu'il soit imbibé complètement. Essorez l'excès d'huile pour que le moteur ne produise pas de fumée pendant la période de démarrage.
3. Nettoyez le couvercle du filtre à air avec un linge humide. Assurez-vous de ne pas laisser de saleté entrer dans le carburateur.
 4. Réinstallez l'élément et replacez le couvercle du filtre.

Ne faites jamais fonctionner l'appareil sans filtre à air. Les saletés et la poussière entrant dans le moteur peuvent causer une usure prématurée de l'appareil.

AVERTISSEMENT

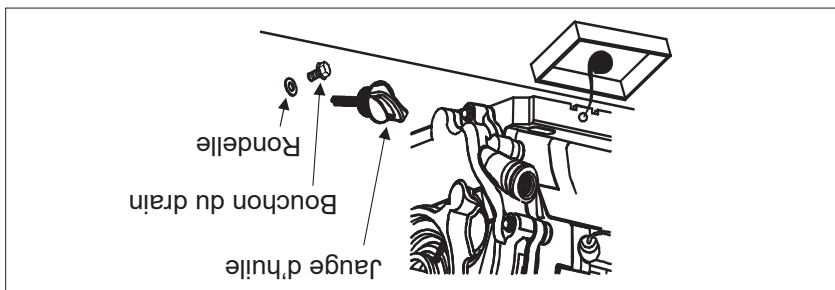
Ne nettoyez jamais l'élément avec de l'essence ou avec un détergent car une explosion pourrait arriver.



! DANGER

Un filtre à air sale pourrait restreindre l'entrée d'air dans le carburateur. Pour garder le carburateur en bonne condition de marche, entretenez le filtre à air régulièrement. Si vous utilisez l'appareil dans un environnement très poussiéreux, l'entretien devrait être fait plus régulièrement.

NETTOYAGE DU FILTRE À AIR



Ne jetez pas les contenant d'huile ni l'huile à moteur usée dans les poubelles ou dans le sol. Afin de protéger l'environnement, nous vous suggérons de disposer de l'huile moteur dans un centre de recyclage.


AVERTISSEMENT

1. Drainez l'huile du moteur rapidement et complètement lorsque le moteur est chaud. Rappelez vous que les surfaces chaudes peuvent causer de graves blessures.
2. Dévissez le bouchon d'huile et le bouchon du drain pour vider le moteur entièrement. Réinstallez solidement le bouchon du drain.
3. Ajoutez de l'huile du bon type jusqu'à la marque supérieure.
4. Réinstallez le bouchon d'huile.

REMPLACEMENT DE L'HUILE À MOTEUR

⚠ DANGER

Les émissions du système d'échappement contiennent des émanations de monoxyde de carbone qui sont toxiques et leur inhalation peut entraîner de graves blessures, même la mort.



Si vous devez faire un entretien alors que le moteur est en marche, assurez vous de toujours garder une ventilation appropriée dans l'espace de travail.

* Ces pièces devraient être entretenues par votre service d'entretien autorisé, à moins que vous ayez les outils appropriés ainsi que les compétences mécaniques.

CALENDRIER D'ENTRETIEN		Chaque utilisation		Premier mois ou chaque 20 hrs.		Chaque saison ou 50hrs		Tous les 6 mois ou 100hrs		Chaque an ou 300hrs	
Changement d'huile	Vériation du niveau d'huile	○									
	Remplacez		○								
Huile d'engrenage	Vériation du niveau d'huile	○		○							
	Remplacez		○								
Filtre à air	Vériez		○								
	Nettoyez			○							
	Remplacez				○						
Assiette de dépôt	Nettoyez					○					
	Nettoyez /ajustez						○				
	Remplacez							○			
Bougie d'allumage	Nettoyez /ajustez								○		
	Remplacez									○	
Pare-étincelle	Nettoyez									○	
	Au ralenti	Vériez /ajustez								○	*
Espacement de valve	Vériez /ajustez										○
	Vériez /ajustez										○
Réservoir et filtre d'essence	Nettoyez										○
	Conduit d'essence	Vériez									
Tête de cylindre & tête de piston	Nettoyez le carbone.										
	Vériez										

Calendrier d'entretien
Afin de garder votre moteur à essence en bonne condition de marche, un entretien régulier et un ajustement du moteur doivent être effectués. Suivez le calendrier d'entretien suivant :

SYSTÈME DE CONTRÔLE DU SYSTÈME D'ÉCHAPPEMENT

Lorsque le moteur est en marche, le monoxyde de carbone, l'oxyde de nitrogène et les hydrocarbures émanant du fonctionnement pourraient, dans certaines conditions, créer une fumée blanche, toxique, et doit être contrôlée. Afin de garder l'efficacité du système d'échappement et de respecter les standards d'émissions, veuillez porter attention aux suivantes :

1. ENTRETIEN

Entretenez le moteur périodiquement, en fonction du calendrier d'entretien. Ce dernier est conçu en fonction d'une utilisation normale. Si vous l'utilisez avec de grosses charges, dans un environnement poussiéreux ou humide, ou très chaud, l'entretien devrait être plus fréquent.

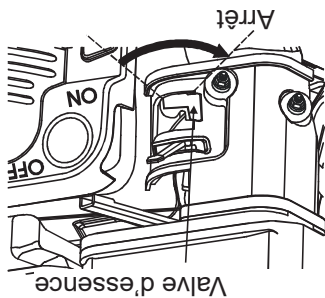
2. PROBLÈME AFFECTANT LES ÉMISSIONS DU SYSTÈME D'ÉCHAPPEMENT

- Démarrage ou arrêt difficiles
- Vitesse de fonctionnement inconstante.
- Gaz d'échappement noir ou consommation d'essence élevée.
- Efficelles de démarrage faibles ou rétro-explosion.
- Ignition anticipée

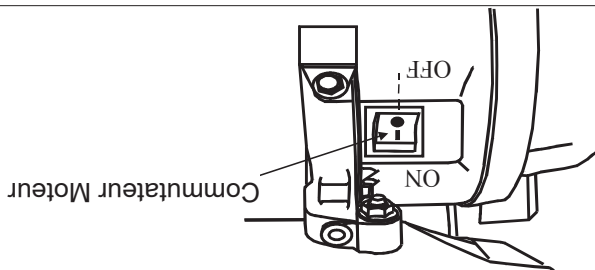
Si un des problèmes ou symptômes ci haut se présente, contactez votre détaillant pour obtenir de l'aide.

L'arrêt soudain du moteur à haute vitesse sous une charge important endommagera le moteur.

NOTICE



3. Placez la valve d'essence à la position « OFF » (Arrêt)



2. Placez ensuite l'interrupteur du moteur à la position « OFF » (Arrêt)



1. Poussez le levier de vitesse vers la droite pour ralentir la vitesse du moteur.

En cas d'urgence, placez l'interrupteur moteur à la position « OFF », (Arrêt) Pendant une utilisation normale :

Arrêt du moteur

Les moteurs modifiés pour l'utilisation en haute altitude seront grandement dans les altitudes en dessous de 1000 mètres car il surchauffera à cause du mélange trop pauvre. La surchauffe du moteur pourrait causer de graves dommages au moteur.

AVIS

Utilisation en haute altitude
 En haute altitude, le mélange air/essence sera trop riche. La performance diminuera et la consommation d'essence augmentera. Un mélange très riche endommagera la bougie d'allumage et rendra le démarrage difficile. Les performances en haute altitude peuvent être augmentées en apportant des modifications spécifiques au carburateur. Si vous devez utiliser votre appareil dans des conditions à plus de 1000 mètres d'altitude, demander à votre détaillant. Ces modifications ne seront pas couvertes par la garantie.

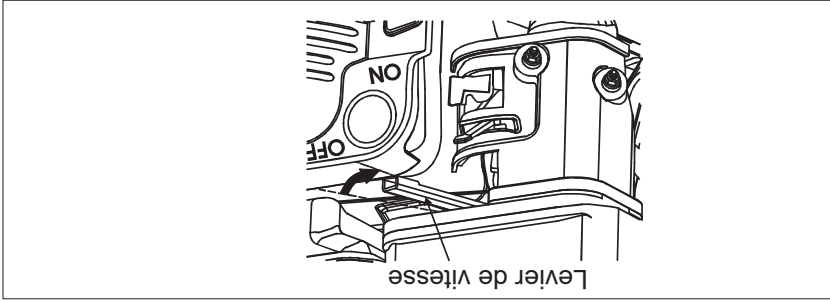


Si vous ne pouvez redémarrer le moteur, vérifier le niveau d'huile en premier.

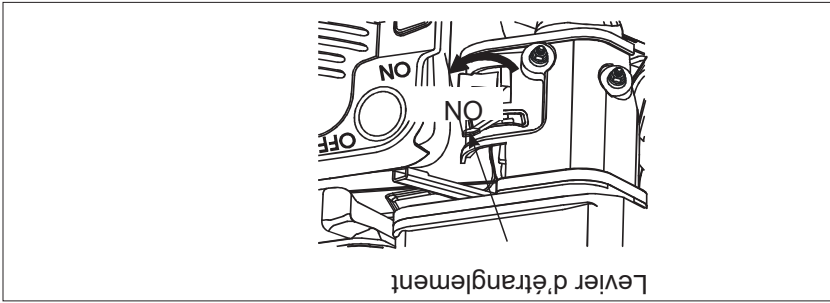
AVIS

L'alarme du niveau d'huile moteur est conçue pour s'activer lorsque le niveau d'huile dans le moteur est insuffisant. Le manque d'huile peut endommager le moteur. Lorsque le niveau d'huile est trop bas, le système d'alarme de niveau de niveau d'huile arrêtera le moteur automatiquement afin de réduire les dommages, même si l'interrupteur du moteur est toujours à la position « ON ».

ALARME DU NIVEAU D'HUILE MOTEUR



2. Placez le levier de vitesse à la position appropriée selon vos besoins de vitesse du moteur.



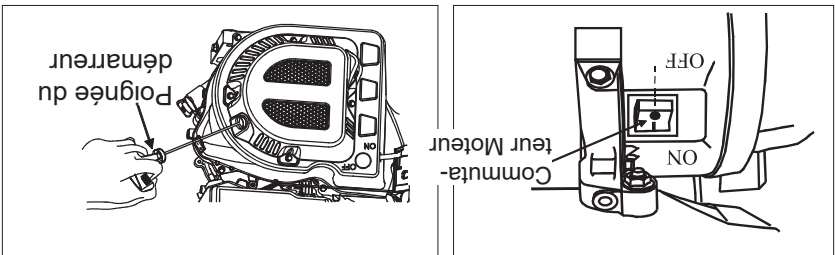
1. Laissez le moteur chauffer et replacez le levier d'étranglement à la position « Ouverte ».

Utilisation du moteur



4. Démarrez le moteur.

Lanceur à rappel : Placez l'interrupteur moteur à la position « On » (Ouvert). Tirez doucement sur la poignée du démarreur jusqu'à ce que vous sentiez de la résistance. Tirez ensuite brusquement.

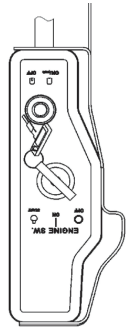


AVIS

Ne laissez pas la poignée retourner par elle-même en frappant le moteur. Retournez-la en la tenant pour éviter les dommages au moteur.

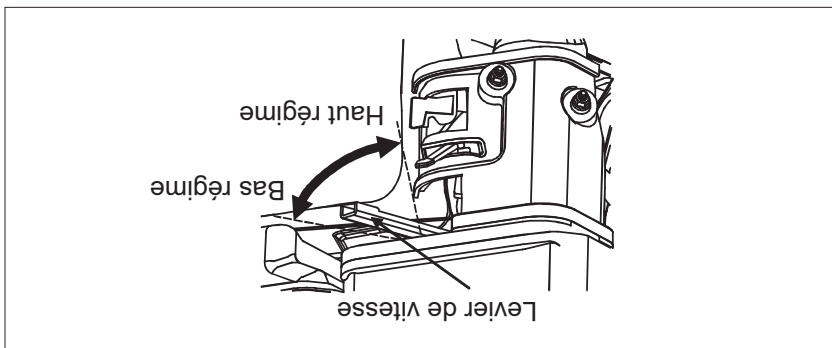
Démarréur électrique (si applicable): Placez l'interrupteur du moteur à la position « Marche » et tenez la dans cette position jusqu'à ce qu'au démarrage. Lorsque le moteur est en marche, laissez l'interrupteur retourner à la position « On ».

Commutateur Moteur

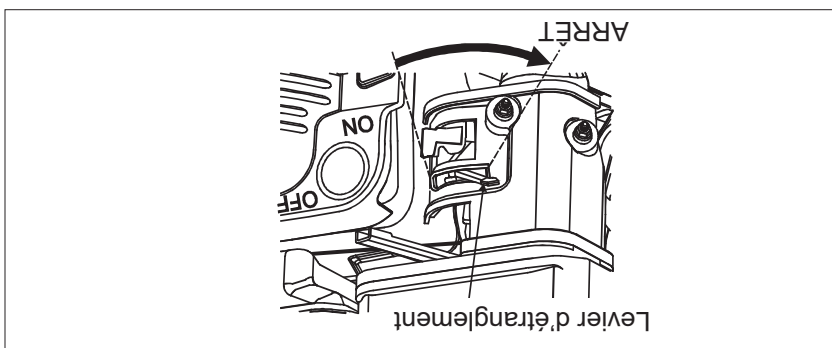


AVIS

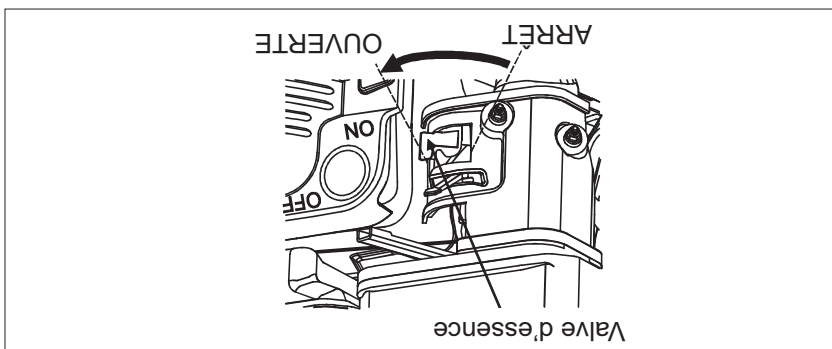
Ne laissez pas l'interrupteur dans la position de démarrage plus de 5 secondes ou le moteur pourrait être endommagé. Si le moteur ne démarre pas, relâchez l'interrupteur et attendez 10 secondes avant de réessayer.



3. Placez le levier de vitesse vers la gauche.



2. Tournez le levier d'étranglement à la position « FERME » (OFF). Si le moteur est chaud, ne fermez pas le levier d'étranglement.



1. Placez la valve à la position « ON » (ouverte).

Démarrage du moteur

Ce type de problème n'est pas couvert par la garantie.

Lorsque le moteur est en marche, des cognements et des explosions d'étincelle endommageront le moteur.

AVERTISSEMENT

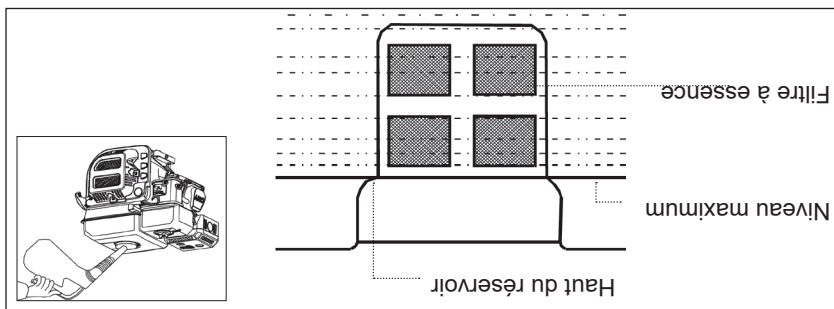
Les « cognements légers » ou « l'explosion d'étincelle » peuvent être entendus lors que le moteur est en surcharge et c'est normal. Si de tels bruits sont entendus pendant une utilisation normale avec une charge moyenne, changez de marque d'essence. Si la situation ne s'améliore pas, consultez un détaillant.

Tout dommage causé par de l'essence renversé n'est pas couvert par la garantie.

L'essence peut endommager la peinture à l'huile et le plastique. Assurez vous de ne pas renverser d'essence.

AVERTISSEMENT

Capacité du réservoir d'essence



N'ajoutez pas d'essence au dessus de la limite du réservoir. Il ne devrait pas y avoir d'essence dans le coude du coudé d'ajout d'essence. Après l'ajout d'essence, assurez-vous de bien replacer le bouchon du réservoir.

⚠ DANGER

Gardez hors de la portée des enfants.

Évitez les contacts répétés ou prolongés avec votre peau ou l'inhalation des vapeurs d'essence.



⚠ DANGER

N'ajoutez pas d'essence au dessus du niveau maximal (pas au dessus du coude du tube du réservoir). Assurez-vous que le bouchon est bien fixé. Assurez-vous de ne pas créer d'éclaboussures lorsque vous ajoutez de l'essence.

L'essence est extrêmement inflammable et explosive dans certaines conditions. Ajoutez toujours de l'essence dans un endroit bien aéré, le moteur éteint. Ne fumez pas ou ne laissez pas de flamme nue ou d'étincelle à proximité du lieu où vous ajoutez de l'essence ou entreposez l'appareil.



⚠ DANGER

- Jusqu'en dessous du coude.
1. Retirez le bouchon du réservoir d'essence et vérifiez le niveau.
 2. Si le niveau est trop bas, ajoutez de l'essence. Ajoutez de l'essence.

CONSIGNES CONSERVANT L'ESSENCE

Ne faites jamais fonctionner le moteur sans filtre à air car vous endommagerez le moteur. Ce n'est pas couvert par la garantie.

AVERTISSEMENT

FILTRE À AIR
 Démontez le couvercle du filtre à air et vérifiez l'élément afin de vous assurer qu'il est propre et en bonne condition. Nettoyez ou remplacez-le au besoin.

Inspection Pré-Utilization

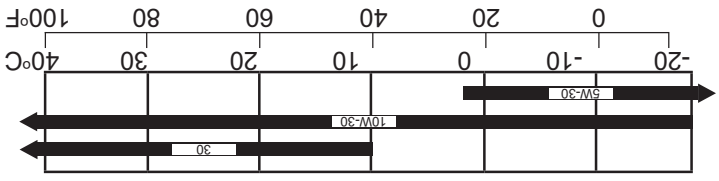
HUILE MOTEUR

ATTENTION

Utilisez de l'huile à moteur à 4 temps, de classification SE par API ou l'équivalent. Vérifiez l'étiquette API sur le contenant d'huile afin de vous assurer qu'il contient les l'inscription « Classe SE » ou équivalent.

SAE 10W-30 est recommandé pour un usage général. D'autres viscosités indiquées dans le tableau peuvent être utilisées lorsque la température moyenne dans votre région se situe dans la plage indiquée.

Indices de Viscosité SAE



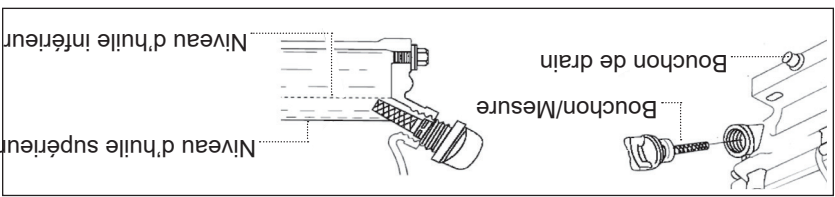
Vérification du niveau d'huile

Processus de vérification
 1 Retirez le bouchon/mesure et nettoyez-le.
 2 Réinsérez le bouchon/mesure sans le visser et retirez-le pour vérifier le niveau d'huile.

3 Si le niveau d'huile est trop bas, ajoutez le type d'huile recommandé.

4 Réinstallez le bouchon/mesure.

5 Capacité d'huile :



AVERTISSEMENT

Faire fonctionner l'appareil sans la quantité d'huile suffisante pourrait endommager le moteur à essence de façon importante et, ne sera pas couvert par la garantie.

· Ne n'ajoutez pas de l'eau du robinet dans la pile. Vous devez ajouter de l'eau distillée, sans quoi, la durée de vie de la pile sera réduite.


· N'ajoutez pas d'eau distillée au delà de la marque supérieure de l'électrolyte. Ne pas respecter cette consigne pourrait provoquer des fuites de l'électrolyte qui endommagera les pièces du moteur. S'il devait y avoir une fuite, assurez-vous de nettoyer le tout avec de l'eau.


· Assurez-vous de ne pas brancher les bornes de la pile dans le sens contraire car vous causeriez un court-circuit.


AVERTISSEMENT

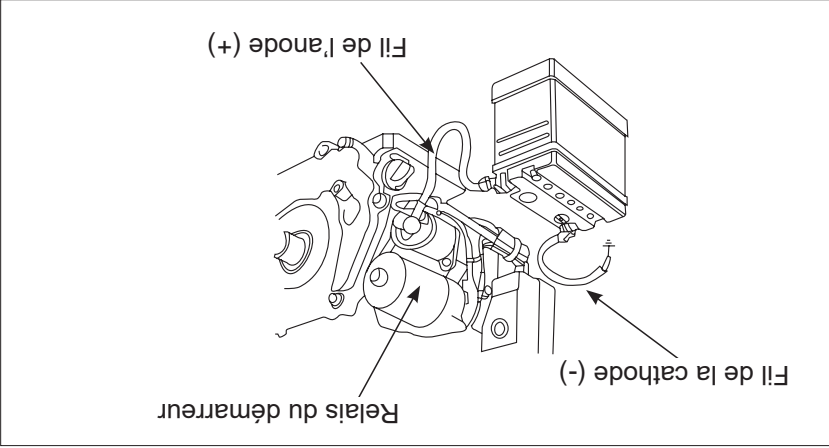
Gardez hors de la portée des enfants.

 DANGER

<p>Les électrolytes sont poisons. En cas d'ingestion, buvez une grande quantité d'eau, du lait suivi de lait de magnésie, ou de l'huile végétale et consultez un médecin.</p>	
<p>⚠ DANGER</p>	

<p>La pile contient de l'acide sulfurique (électrolyte). Le contact avec la peau ou les yeux pourrait entraîner de graves brûlures. Si les électrolytes entre en contact avec votre peau, rincez abondamment avec de l'eau. En cas de contact avec les yeux, rincez abondamment pendant au moins 15 minutes et contactez immédiatement un médecin.</p>	
<p>⚠ DANGER</p>	

<p>La pile peut émettre des vapeurs explosives. Gardez les étincelles, flamme et cigarette à distance.</p>	
<p>⚠ DANGER</p>	

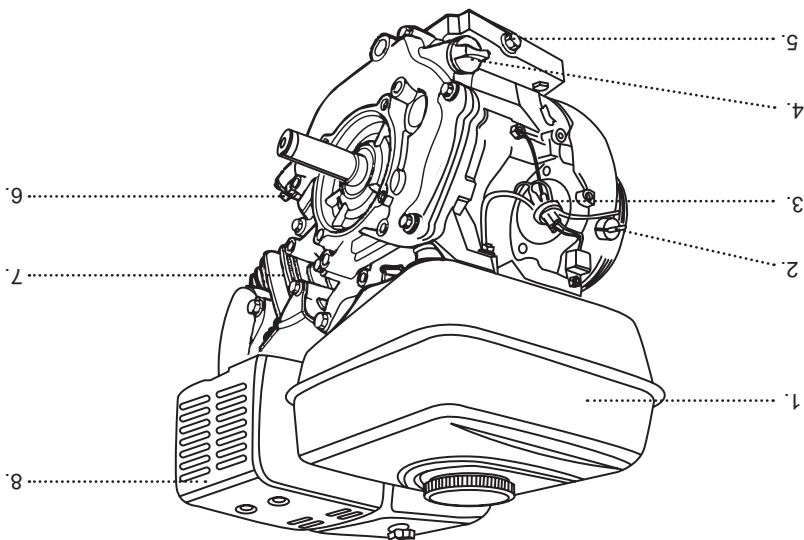


Branchement de la pile

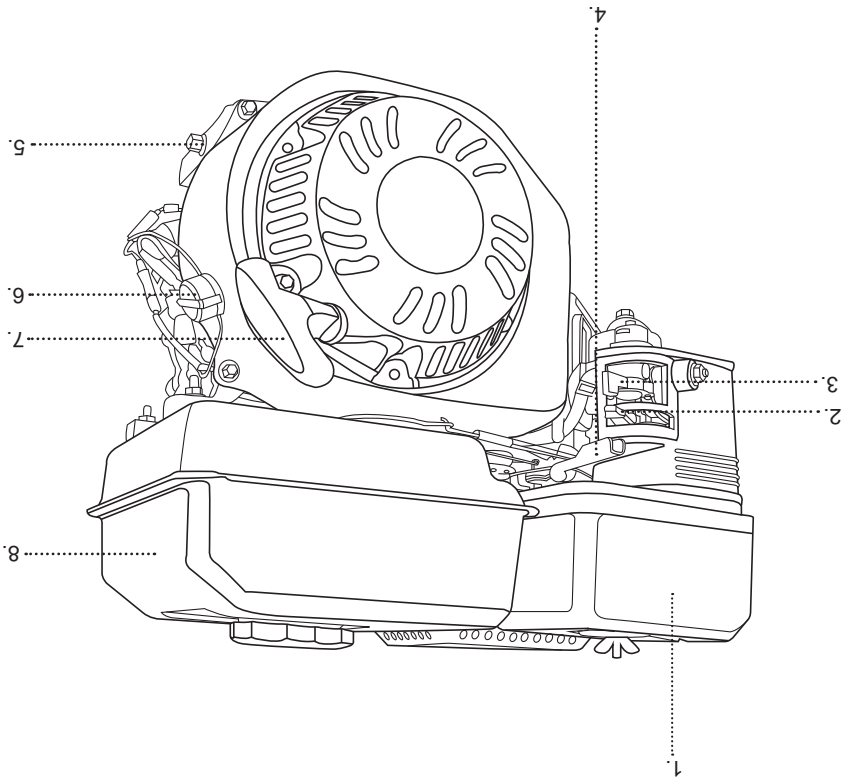
Utilisez des piles de 12V et plus de 18Ah. Branchez la borne positive de la pile au terminal de relais du démarreur et la borne négative à la vis de montage, ou toute autre vis de mise à la terre du moteur. (Voir l'image)

Vérifiez les branchements de la pile. Assurez-vous qu'ils sont fixés solidement et qu'ils ne sont pas rouillés. S'ils le sont, débranchez et nettoyez.

8. Echappement / silencieux
7. Bougie d'allumage
6. Bouchon d'huile
5. Bouchon de vidange d'huile
4. Jauge d'huile
3. Câblage
2. Commutateur de moteur
1. Réservoir de gaz

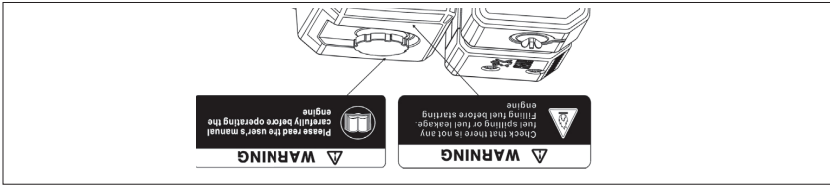


1. Filtre à air
2. Levier de starter
3. Levier de soupape de carburant
4. Levier d'accélérateur
5. Bouchon de vidange d'huile
6. Interrupteur ON / OFF
7. Démarreur de recul
8. Réservoir de carburant



Lisez ce guide de l'utilisateur et les règles de sécurité AVANT d'utiliser l'appareil.





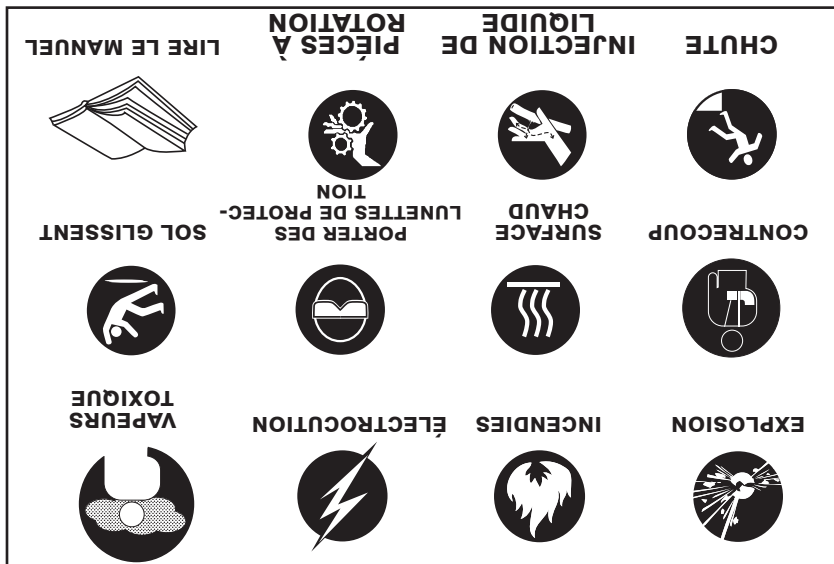
Indique une possibilité d'invalider la garantie en plus d'endommager l'appareil ou même entraîner de graves blessures.

Veillez porter une attention particulière aux consignes suivantes :

- Ne surchargez pas ou n'utilisez pas abusivement l'appareil, ou ne le faites pas fonctionner avec un niveau de charge bas à une vitesse basse pour une longue durée.
- Utilisez de l'essence propre, sans plomb.
- Gardez le filtre à essence propre.
- Changez l'huile périodiquement.
- Vérifiez périodiquement le levier d'entraînement, ses branchements et sa solidité. Vissez au besoin.
- Nettoyez périodiquement le filtre à air. Remplacez-le au besoin.
- Le moteur à essence est refroidi à l'air. Au besoin, nettoyez le radiateur, le ventilateur et/ou la grille de ventilateur afin de permettre un approvisionnement en air adéquat au moteur.
- L'utilisateur doit se familiariser avec les principes d'utilisation et la structure du moteur à essence, incluant la connaissance du processus d'arrêt d'urgence ainsi que les méthodes d'utilisation des différents contrôles. Toute personne n'ayant pas pris connaissance du guide ou n'ayant pas eu de formation ne devrait pas utiliser cet appareil.
- Utilisez toujours l'appareil dans un endroit bien aéré, en le gardant à une distance minimale d'un mètre de tout mur ou autre équipement. Afin de prévenir contre les incendies, gardez l'appareil à distance de produits inflammables tels que l'essence et les allumettes.
- Ajoutez toujours de l'essence dans un endroit bien aéré lorsque le moteur est arrêté. Ne fumez pas et ne laissez aucune flamme nue ou des étincelles entrer dans l'espace de travail.
- N'ajoutez pas d'essence au-dessus du niveau prévu afin d'éviter les débordements et éclaboussures. S'il y en avait, assurez-vous de les essuyer avant de redémarrer le moteur.
- Ne faites pas fonctionner l'appareil à l'intérieur d'un endroit clos tel qu'un bâtiment, une maison ou un cabanon.
- Le système d'échappement devient très chaud pendant l'utilisation et le moteur reste chaud longtemps après son arrêt. Ne touchez jamais à ces pièces car vous pourriez vous brûler gravement. Transportez ou entreposez l'appareil uniquement lorsqu'il est complètement refroidi.
- Étiquette de mise en garde :


Lisez et suivez toutes les étiquettes de sécurité AV/ANT d'utiliser l'appareil. BE n'acceptera aucune responsabilité pour les blessures ou dommages d'équipement étant lié aux avertissements sur les étiquettes.

! DANGER



SYMBOLES DE RISQUE ET SIGNIFICATIONS

AVIS Contient des informations pertinentes et utiles.
AVERTISSEMENT NE PAS suivre cette consigne pourrait endommager le moteur, la génératrice ou tout autre objet ou bâtiment à proximité.
ATTENTION NE PAS suivre cette consigne pourrait entraîner DES BLESSURES.
DANGER NE PAS suivre cette consigne pourrait entraîner LA MORT.

Le symbole d'alerte de sécurité () est utilisé avec un mot d'alerte (Danger, Avertissement, Attention), une illustration et/ou un message de sécurité pour vous avertir de danger.

Voici le symbole d'alerte de sécurité. Il est utilisé pour vous prévenir de risques potentiels de blessure corporelle. Observer toutes les consignes de sécurité suivant ce symbole afin d'éviter des blessures éventuels ou la mort.



CONSEILS DE SÉCURITÉ
Conservez ces consignes de sécurité

Enregistrez le numéro d'identification

Moteur

Si vous avez besoin de contacter un Détaillant Autorisé ou le Service à la clientèle (1-866-850-6662) pour de l'information sur l'entretien, veuillez toujours fournir le modèle de l'appareil et les numéros d'identification. Vous pourrez trouver ces numéros sur l'appareil aux endroits suivants :

Date d'achat:

Nom du détaillant:

Numéro de téléphone du détaillant:

Numéro d'identification de produit

Numéro de modèle:

Numéro de série:

Attention: Lisez le guide de l'utilisateur entièrement avant d'utiliser l'appareil pour la première fois.



Utilisation du guide de l'utilisateur

Merci d'avoir choisi notre modèle de génératrice à essence pour utilisation générale.

Ce guide de l'utilisateur contient de l'information concernant l'utilisation et l'entretien des modèles de génératrices à essence. Assurez-vous de le lire attentivement avant d'en faire l'utilisation.

Les consignes contenues dans ce guide peuvent aider l'utilisateur à obtenir de meilleurs résultats d'utilisation tout en portant favorisation une utilisation sécuritaire.

Toutes les informations et diagrammes contenus dans ce guide correspondent aux modèles les plus récents au moment de la publication. Nous mettons beaucoup d'efforts afin que ces informations soient le plus exact possible. BE PRESSURE SUPPLY se réserve le droit de modifier ce guide de l'utilisateur, en tout ou en partie, sans avis préalable ni obligation.

Assurez-vous de toujours garder ce guide avec l'appareil, même s'il change de propriétaire.

21	Calendrier d'entretien
22	Remplacement de l'huile moteur
22	Entretien du filtre à air
23	Bougie d'allumage
Transport et entreposage	
24	Transport et entreposage
Dépannage	
26	Démarrage du moteur (par lanceur à rappel)
27	Démarrage moteur électrique (par démarreur électrique)
28	Puissance de sortie insuffisante du moteur à essence.
29	Le moteur à essence fonctionne anormalement.
29	Le moteur arrête subitement de fonctionner
30	Le moteur surchauffe
30	Bruit anormal lorsque le moteur est en marche
Spécifications	
31	Spécifications
Garantie	
32	Garantie
36	Notes de maintenance

Introduction	4
Utilisation du guide de l'utilisateur	4
Identification du produit	5
Enregistrement du numéro d'identification du produit.	5
Sécurité	6
Consignes de sécurité	6
Signification des symboles de sécurité	6
Description des pièces	8
Schéma des pièces	8
Liste des pièces	8
Branchement de la pile	10
Branchement de la pile	10
Avant utilisation	12
Huile moteur	12
Vérification du niveau d'huile	12
Filtre à air	13
Recommandation d'essence	13
Démarrage du moteur	15
Démarrage du moteur	15
Lanceur à rappel	16
Mise en marche du moteur	17
Mise en marche du moteur	17
Alarme de niveau d'huile	17
Utilisation en haute altitude	18
Utilisation en haute altitude	18
Arrêt du moteur	19
Arrêt du moteur	19
Contrôle du système d'échappement	20
Contrôle du système d'échappement	20
Entretien	20
Problème affectant les émanations du système d'échappement	20
Entretien	

MANUEL UTILISATEUR

85.570.070
85.570.150



MOTEUR À ESSENCE

ENGINES

POWER EASE
