

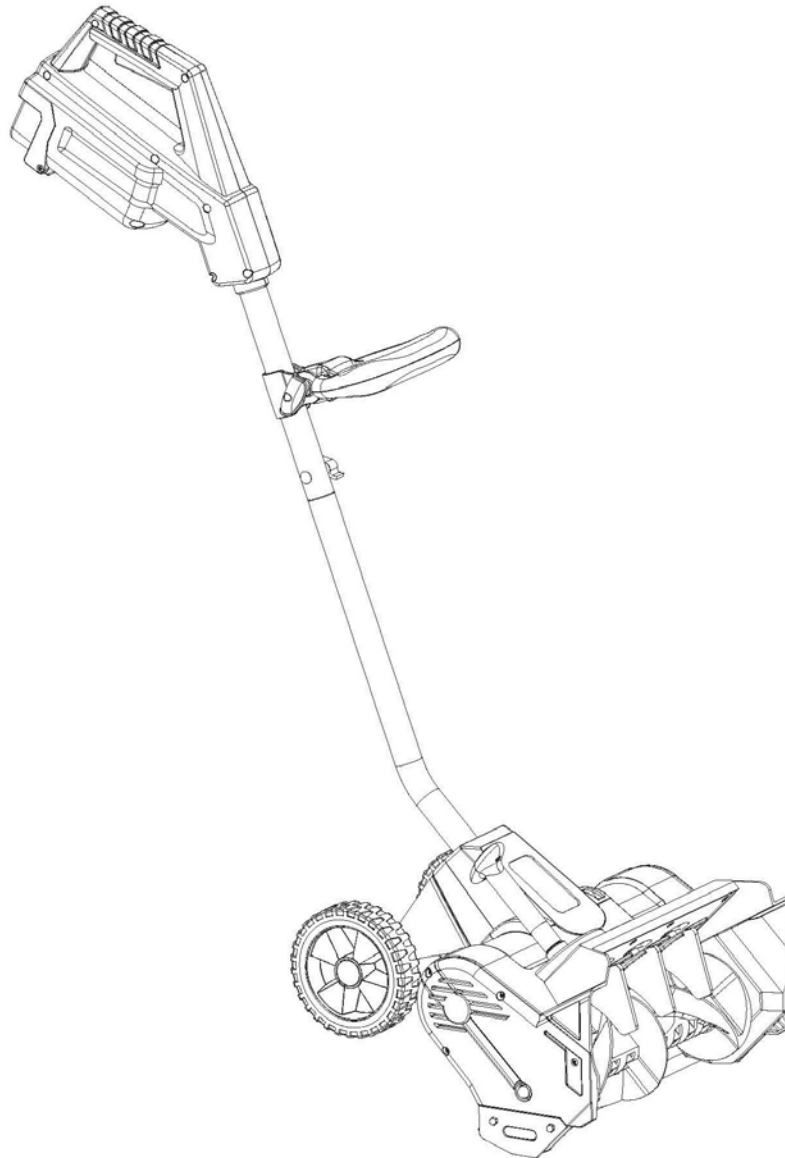


OPERATOR'S MANUAL

16-IN Snow Thrower

This product is covered by U. S. patents and other international patents
Copyright All Rights Reserved.

Model SN74016



CA Compliant Charger
Included (Model No.
CHL80040)



Intertek
3189723
CONFORMS TO UL
STD No.1090
CERTIFIED TO
CAN/CSA STD C22.2
No.147-15

This product has been engineered and manufactured to our high standard for dependability, ease of operation, and operator safety. Properly cared for, it will give you years of rugged, trouble-free performance.



WARNING: To reduce the risk of injury, the user must read and understand the operator's manual before using this product.

BATTERY MUST BE CHARGED BEFORE FIRST USE.

Thank you for your purchase.

DO NOT RETURN THIS PRODUCT TO THE STORE. OPERATING, ASSEMBLY, PARTS, SERVICE QUESTIONS?
CALL 1-800-313-5111 BETWEEN 8:00AM-5:00PM EST FOR ASSISTANCE.

SAVE THIS MANUAL FOR FUTURE REFERENCE

SYMBOLS

Some of the following symbols may be used on this product. Please study them and learn their meaning. Proper interpretation of these symbols will allow you to operate the product better and safer.



Precautions that involve your safety.



CAUTION! Read the instruction manual and follow the warning and safety instructions!



CAUTION! Remove plug from outlet immediately if the cable is damaged or cut.



CAUTION! Always wear eye and ear protection.



Wear safe, sturdy, nonskid footwear!



DANGER! objects may be thrown out at high speed when motor is running. Do not walk in front of running machine.



Keep bystanders at a safe distance.



DANGER! Rotating auger. Keep hands and feet at a safe distance.



Do not place hand under auger.



Do not place hand in front of chute deflector.



Do not place feet under auger.



DANGER! Risk of electric shock.



Do not use in rain or electrical storms.



Waste electrical products should not be disposed of with household waste. Please recycle where facilities exist. Check with your Local Authority or retailer for recycling advice.



IMPORTANT SAFETY WARNINGS



TO REDUCE RISK OF INJURY: Before any use be sure everyone using this product reads and understands all safety instructions and other information contained in this manual.



CAUTION: Wear appropriate personal hearing protection during use. Under some conditions and duration of use, noise from this product may contribute to hearing loss.

Save these instructions and review frequently prior to use and in instructing others.



WARNING: When using electric appliances, basic safety precautions should always be followed to reduce risk of fire, electric shock, and personal injury, including the following:

READ ALL INSTRUCTIONS

GENERAL SAFETY

CHECK FOR DAMAGED PARTS - Before further use of the product, any part that is damaged should be carefully checked to determine that it will operate properly and perform its intended function. Check for alignment of moving parts, binding of moving parts, breakage of parts, mounting and any other condition that may affect its operation. Any part that is damaged should be properly repaired or replaced. For assistance call our customer service help line at 1-800-313-5111.

AVOID DANGEROUS ENVIRONMENTS - Don't use this product in rainy or stormy conditions. Do not operate in gaseous or explosive atmospheres. Motors in these products normally spark, and the sparks might ignite fumes.

KEEP CHILDREN AWAY - All visitors, children and pets should stay at a safe distance from the work area.

DRESS PROPERLY- Don't wear loose clothing or jewelry and wear protective hair covering to contain long hair. They can be caught in moving parts.

Wear rubber boots when operating the snow thrower. Maintain good footing at all times, especially on slopes.

USE SAFETY GLASSES - Wear safety glasses with side shields or goggles that are marked to comply with ANSI Z87.1 standard when operating this product.



WARNING: Keep hands away from moving parts. Never put your hands near the auger to remove snow, sticks or other debris. Blocked auger can "spring back" when cleared and may cause personal injury even when the snow thrower is stopped. Always use a wooden stick such as a broom handle to clear blockages.

REMOVE THE BATTERY from the snow thrower when not in use or when servicing or cleaning. Do not leave unattended.

USE RIGHT APPLIANCE - Do not use this product for any job except that for which it is intended.

Avoid Accidental Starting—Don't carry snow thrower with finger on switch when the battery is installed. Be sure switch is off when installing battery.

DO NOT FORCE SNOW THROWER - It will perform better and safer at the rate for which it was designed.

DON'T OVERREACH - Guide the snow thrower at a walking pace only. Keep proper footing and balance at all times.

LIGHTING - Only operate your snow thrower in daylight or good artificial light.

STORE IDLE UNIT INDOORS-When not in use, the snow thrower should be stored indoors in a dry area out of children's reach.

MAINTAIN UNIT WITH CARE-Keep clean for best performance and to reduce the risk of injury. Keep handles dry, clean and free from oil.

Do not operate the snow thrower on a slope that is too steep for safe operation. When on slopes, slow down and make sure you have good footing.

Before starting the snow thrower make sure the auger is not touching any object and is free to move.

Do not use on graveled surface unless the snow thrower is adjusted for such a surface in accordance with the operator's manual.

Operation of the show thrower in the hand-held position is unsafe, except in accordance with the special instructions for such use provided in the operator's manual.



CAUTION: Never throw snow towards people, pets or cars and never allow anyone in front of the snow thrower while in operation.

Objects that might clog the snow thrower or cause other damage can be hidden in the snow. Clear the area of doormats, sleds, boards, wires and other debris prior to use.

If the auger strikes a foreign body, examine the snow thrower for signs of damage and make any necessary repairs before restarting and continuing to work.

STAY ALERT - Watch what you are doing. Use common sense. Do not operate the snow thrower when you are tired or under the influence of drugs, alcohol or medications.

GENERAL SAFETY

If the snow thrower starts to vibrate abnormally, turn it off immediately and check for the cause. Vibration is generally a warning of trouble.

Always turn off the snow thrower, remove the battery from the snow thrower and wait until the auger comes to a complete stop before carrying out maintenance or repairs.



CAUTION: Auger does not stop immediately after the snow thrower is turned off.



CAUTION: Risk of injury. Do not put hands, feet or any body part or clothing near the rotating auger.



WARNING: California Proposition 65:

This product contains chemicals known to the State of California to cause cancer, birth defects or other reproductive harm.

SAFETY RULES FOR CHARGER

Do not abuse the cord. Never use the cord for carrying, pulling or unplugging the power tool. Keep cord away from heat, oil, sharp edges or moving parts. Damaged or entangled cords increase the risk of electric shock.

Use of an attachment not recommended or sold by the battery charger manufacturer may result in a risk of fire, electric shock, or injury to persons. Following this rule will reduce the risk of electric shock, fire, or serious personal injury.

Do not service snow thrower with battery, switch key, or charger installed.

Do not use the charger when the ambient temperature is above 37.8°C (100°F) or below 0°C (32°F)

Do not operate charger with a damaged cord or plug which could cause shorting and electric shock. If damaged, replace the charger with an identical charger.

Do not operate charger if it has received a sharp blow, been dropped or otherwise damaged in any way.

Take it to a qualified individual for electrical check to determine if the charger is in good working order.

Unplug charger from outlet before attempting any maintenance or cleaning to reduce the risk of electric shock.

Disconnect charger from the power supply when not in use to prevent damage to the charger during a power surge.

Risk of electric shock, Do not touch uninsulated portion of output connector or uninsulated battery terminal.

Do not expose charger to wet or damp conditions, Water entering charger will increase the risk of electric shock.

Make sure cord is located so that it will not be stepped on, tripped over, come in contact with sharp edges or moving parts or otherwise subjected to damage or stress. This will reduce the risk of accidental falls, which could cause injury and damage to the cord, which could result in electric shock.

Keep cord and charger away from heat to prevent damage to housing or internal parts.

Do not let gasoline, oils, petroleum-based products, etc. come in contact with plastic parts. They contain chemicals that can damage, weaken or destroy plastic.

An extension cord should not be used unless absolutely necessary. Use of improper extension cord could result in a risk of fire and electric shock.

If extension cord must be used, make sure:

- That pins on plug of extension cord are the same number, size and shape as those of plug on charger
- That extension cord is properly wired and in good condition; and
- That wire size is large enough for AC ampere rating of charger as specified below:

Cord length (Feet) - 25' 50' 100'

Cord Size (AWG) - 16 16 16

NOTE: AWG= American Wire Gauge

Save these instructions. Refer to them frequently and use them to instruct others who may use this product. If you loan someone this snow thrower, loan them these instructions also.



WARNING: Keep all connections dry and off the ground. Do not touch plug with wet hands.



FCC WARNING:

Please note that changes or modifications to this product not expressly approved by the party responsible for compliance could void the user's authority to operate the equipment.

NOTE: This equipment has been tested and found to comply with the limits for a Class B digital device, pursuant to Part 15 of the FCC Rules. These limits are designed to provide reasonable protection against harmful interference in a residential installation. This equipment generates, uses and can radiate radio frequency energy and, if not installed and used in accordance with the instructions, may cause harmful interference to radio communications. However, there is no guarantee that interference will not occur in a particular installation. If this equipment does cause harmful interference to radio or television reception, which can be determined by turning the equipment off and on, the user is encouraged to try to correct the interference by one or more of the following measures:

- Reorient or relocate the receiving antenna.
- Increase the separation between the equipment and receiver.
- Connect the equipment into an outlet on a circuit different from that to which the receiver is connected.
- Consult the dealer or an experienced radio/TV technician for help.

PRODUCT SPECIFICATIONS

Model: SN74016

Input:	40V, DC only	Sweep width:	16 inches (406 mm)
Battery:	40V, 4.0 Ah Lithium-ion	Max clearing depth:	8 inches (200 mm)
Charging time:	2.5 hours	Throwing distance:	Up to 32 feet
Battery run time:	25-40 minutes	Clearing capacity:	300 pounds/minute
Speed:	2000 RPM	Weight:	19.4 pounds

PACKING LIST

UNPACKING




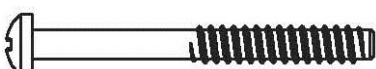
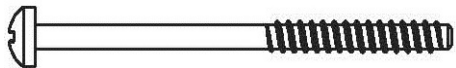
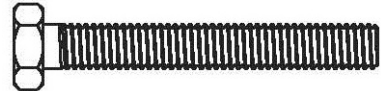
This product requires assembly.

Carefully remove the product from the box. Make sure that all items listed in the packing list are included.

Inspect all items carefully to make sure no breakage or damage occurred during shipping.

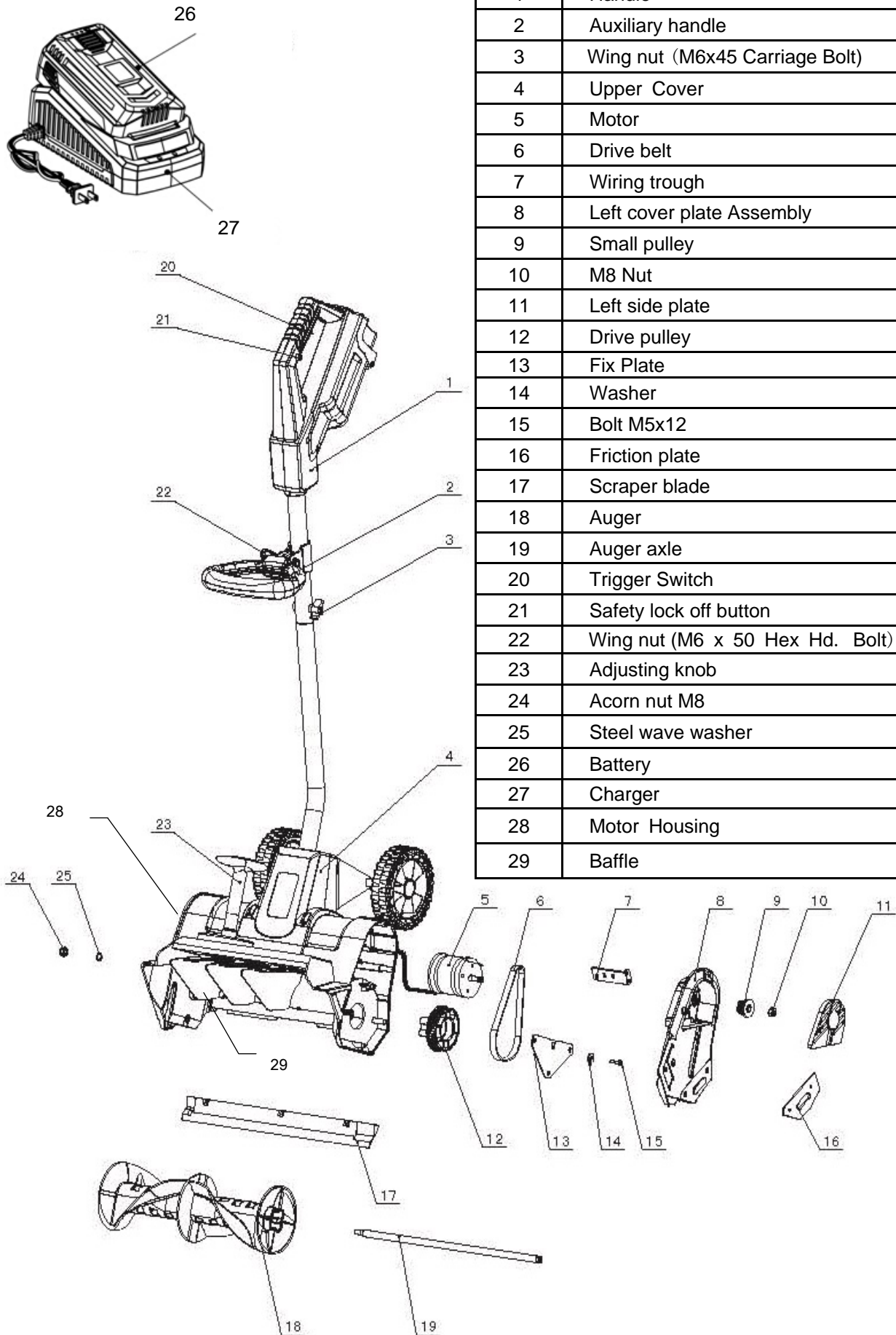
Do not discard the packing material until you have carefully inspected and satisfactorily operated the snow thrower.

If any parts are damaged or missing please call our customer service help line at 1-800-313-5111 for assistance.

QTY	DESCRIPTION
1	Snow Thrower
1	Lower & Upper Handle
1	M6x45 Carriage Bolt & Wing Nut 
4	ST4.2x30 Philips Head Self Tapping Screw 
1	Adjust Knob
1	ST4.0x50 Philips Head Self Tapping Screw 
1	Adjust Knob Cover
1	Wheel Bracket
2	Wheel
2	Wheel Cover
2	ST3.9x45 Philips Head Self Tapping Screw 
2	ST3.9x55 Philips Head Self Tapping Screw 
1	Auxiliary Handle
1	M6x50 Hex Head Bolt & Wing Nut 
1	Operator's Manual

PARTS LIST

Pos.	Description	Qty
1	Handle	1
2	Auxiliary handle	1
3	Wing nut (M6x45 Carriage Bolt)	1
4	Upper Cover	1
5	Motor	1
6	Drive belt	1
7	Wiring trough	1
8	Left cover plate Assembly	1
9	Small pulley	1
10	M8 Nut	1
11	Left side plate	1
12	Drive pulley	1
13	Fix Plate	1
14	Washer	1
15	Bolt M5x12	1
16	Friction plate	2
17	Scraper blade	1
18	Auger	1
19	Auger axle	1
20	Trigger Switch	1
21	Safety lock off button	1
22	Wing nut (M6 x 50 Hex Hd. Bolt)	1
23	Adjusting knob	1
24	Acorn nut M8	1
25	Steel wave washer	1
26	Battery	1
27	Charger	1
28	Motor Housing	1
29	Baffle	3

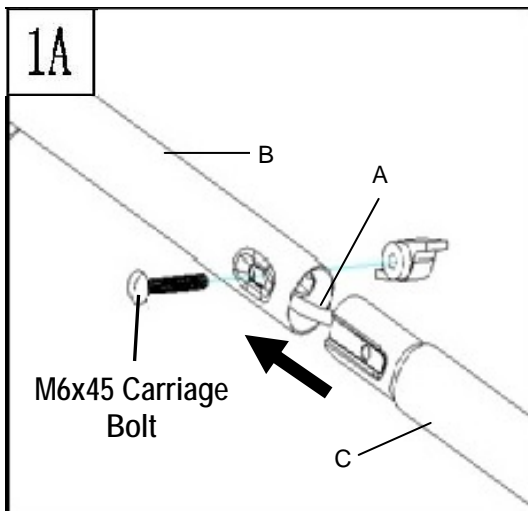


ASSEMBLY

This product must be correctly assembled before use.

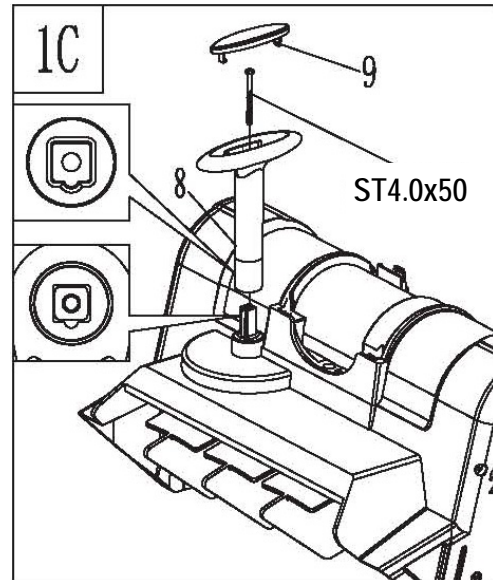
Handle (Fig. 1A)

Slide the lower section (C) into the upper section (B). Line up the holes on each tube, and make sure the cable (A) is clear of the mounting holes. Secure the two sections together with the M6x45 carriage bolt and wing nut.



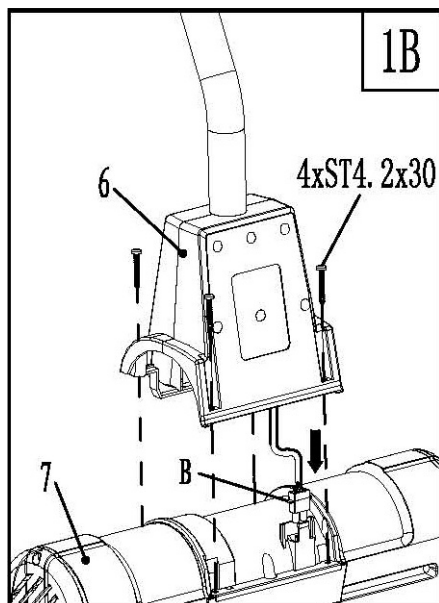
Adjust knob (Fig. 1C)

Align the rib on the spindle with the notch on the adjusting knob and push the adjusting knob onto the spindle. Secure the knob with the ST4.0x50 Philips head self tapping screw. Place the adjust knob cover onto the top and push to secure into place.



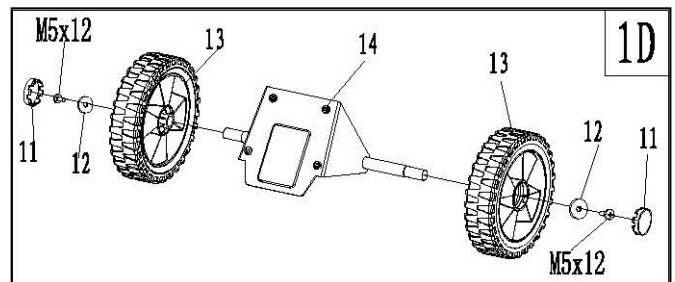
Motor housing (Fig. 1B)

Remove the plug guard and connect socket (B) on the upper cover (6) to the plug on the motor housing (7). Secure the upper cover to the motor housing with the ST4.2 x 30 Philips head self tapping screws.



Wheel (Fig. 1D)

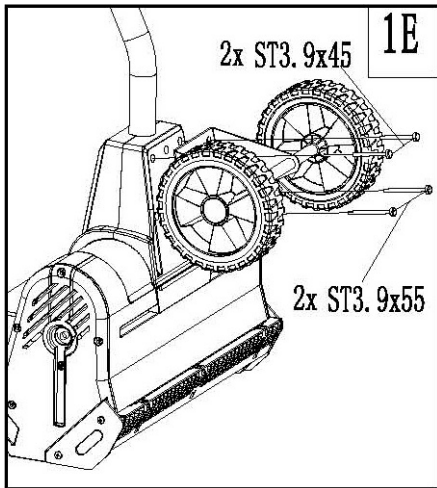
Remove the screws and washers from the wheel bracket. Install the wheels (13) and secure into place with the washers and M5 x 12 screws. Push wheel covers into place.



ASSEMBLY

Wheel bracket (Fig. 1E)

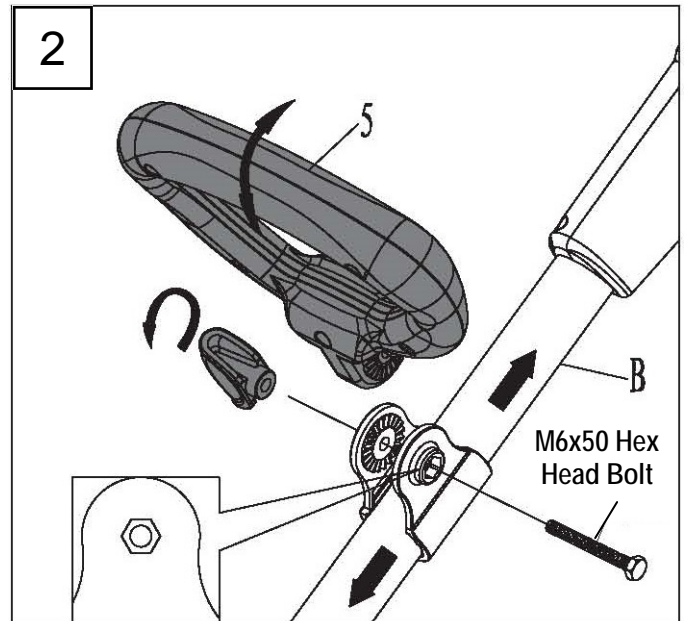
Align the holes on the wheel bracket with the holes on the upper cover. Secure into place with ST3.9x45 Philips head self tapping screws in the two (2) top holes and the ST3.9x55 Philips head self tapping screws in the two (2) bottom holes.



Auxiliary handle (Fig. 2)

Position the auxiliary handle so that the holes are in alignment with the holes in the handle support bracket. Insert the M6X50 hex head bolt into the hex shaped bolt hole of the bracket. Secure by tightening the wing nut onto the bolt.

Loosen the wing nut and adjust the angle and height of the handle to a safe and comfortable position. Secure into place by tightening the wing nut onto the bolt.

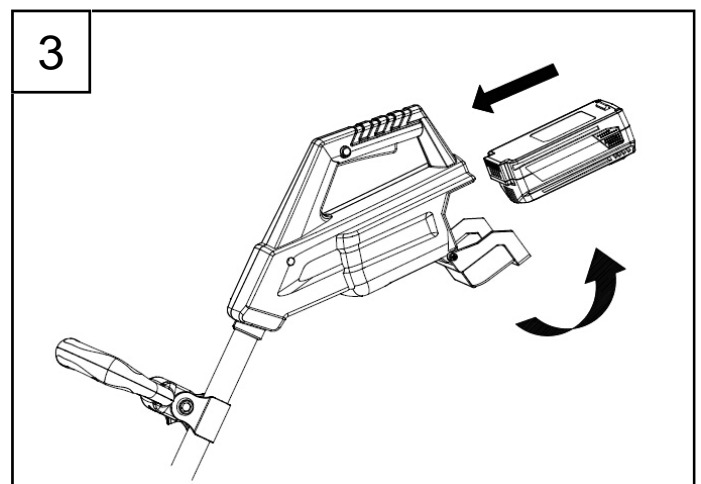


OPERATING

This snow thrower is intended to be used to sweep snow from sidewalks, steps, patios, decks and other hard flat surfaces such as paved driveways. Use it only on hard, flat surfaces free of sand, stone and debris, wires or any other objects. The manufacturer is not liable for any damage or injury resulting from misuse.

Install battery

Open the battery compartment cover and slide the battery down until it clicks to lock it into position, then close the battery department cover (Fig. 3)



OPERATING

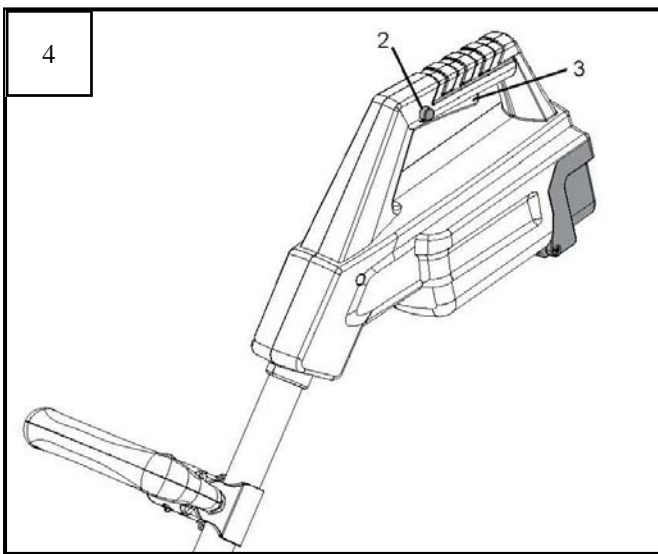
On/Off Switch (Fig. 4)

WARNING: The auger starts rotating immediately after the snow thrower is switched on. Keep hands and feet away from the auger.

To switch ON, hold the snow thrower firmly with two hands, make sure the auger is not touching any surface and press the Safety Lock Off Button (2) while squeezing the On/Off trigger switch (3).

Once the snow thrower is started you can release the Safety Lock Off Button.

To switch Off simply release the trigger.



Removing snow

WARNING: Before starting work, make sure that the area to be cleared is free of stones, debris, wires and any other objects.

Make sure all fasteners on the snow thrower (screws, nuts, etc.) are fully tightened.

Check the auger for wear and tear at regular intervals.

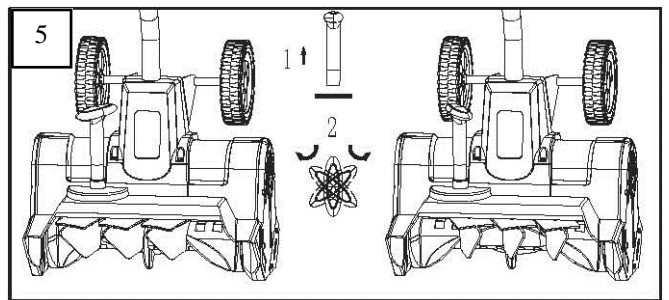
Position the snow thrower so that snow will discharge in a safe direction away from the operator and bystanders.

Clear snow often, before it gets too deep. It is best to remove the snow as soon as possible after it falls.

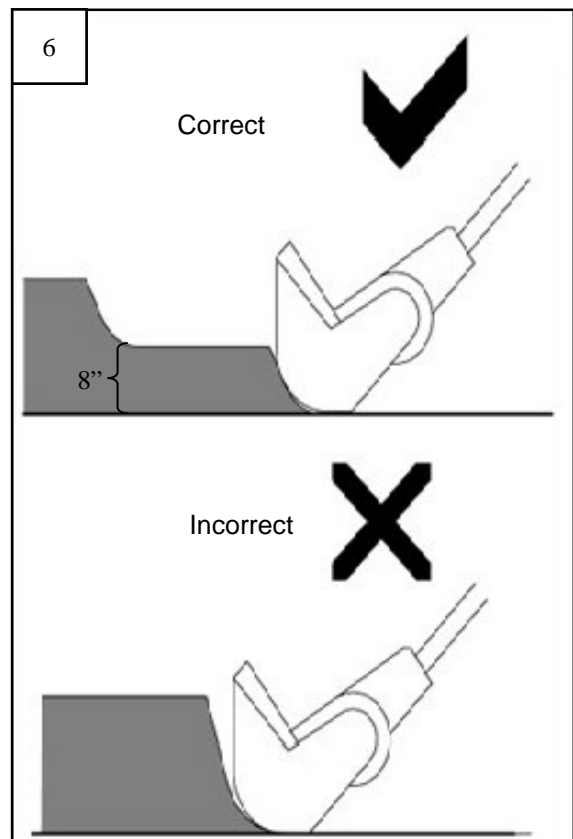
Lift the auger up slightly before starting the snow thrower.

Switch on and tilt the snow thrower forward until the scraper blade contacts the ground. Push the snow thrower forward at a comfortable rate of speed, yet slow enough to clear the path completely. The width and depth of the snow determines your forward speed.

Pull up and turn the adjusting knob to direct the snow to the right or to the left. For the most efficient snow removal, throw the snow downwind and slightly overlap each swath. (Fig. 5)



The snow thrower can remove up to 8" deep in one pass. When clearing deeper drifts, hold the snow thrower by the upper and lower handles and use a swinging or sweeping motion. Shave off the top layer and make multiple passes. (Fig. 6).



OPERATING

For large areas a definite pattern of operation is required to thoroughly clean an area of snow. These patterns will avoid throwing snow in unwanted places as well as eliminating a second removal of snow. (Fig. 7)

Pattern A: Throw the snow to the right or left side where it is possible. For areas such as a long driveway it is advantageous to start in the middle. Plow from one end to the other, throwing snow to both sides.

Pattern B: If the snow can only be thrown to one side of the area to be cleared, start on the opposite side.

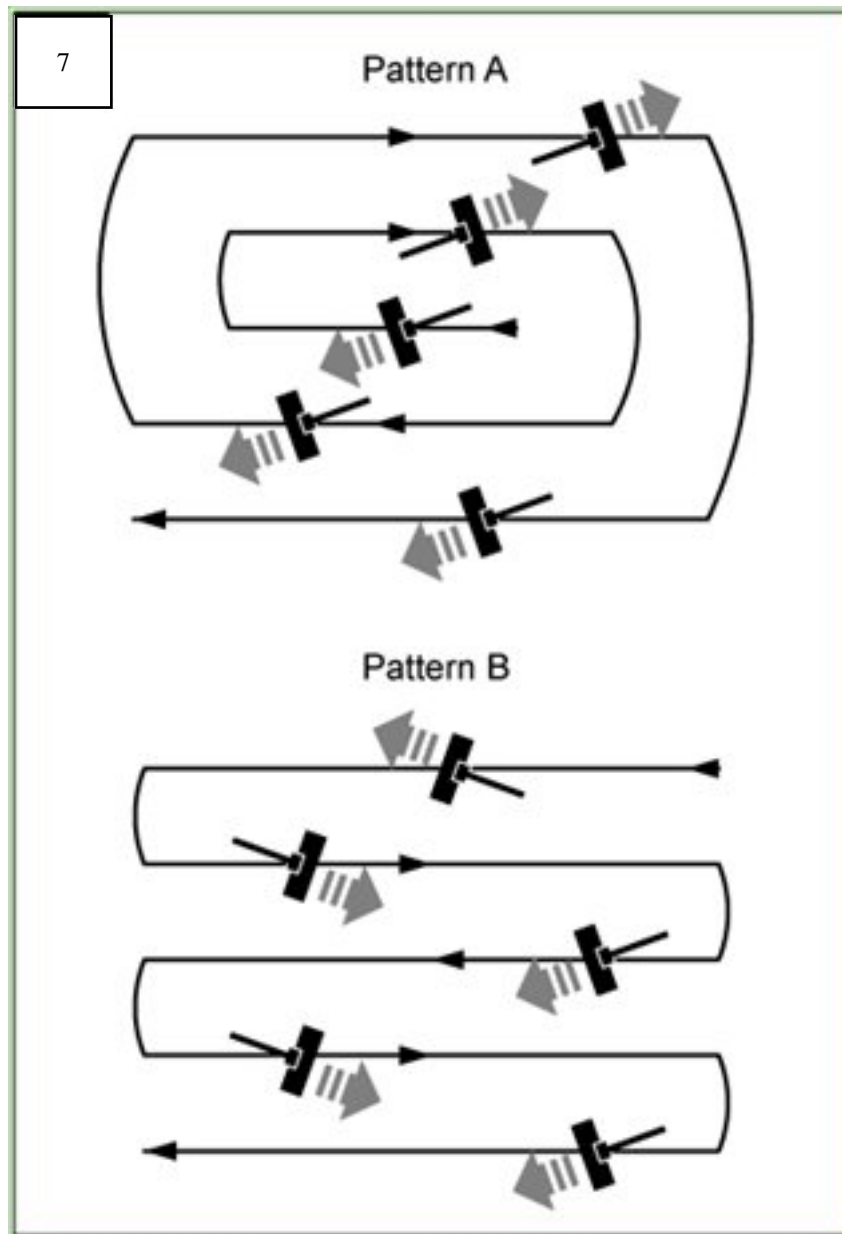
Scraping the snow all the way down to the pavement will wear out the scraper and auger. To protect these parts, one or two inches of snow can be left behind and cleared

with de-icing salt or a shovel.

After clearing the snow, continue to run the snow thrower for a few minutes to prevent ice from freezing on moving parts. Then switch off the motor, wait for all moving parts to stop, remove the battery pack, and wipe the ice and snow from the snow thrower with a clean rag.

WARNING: To avoid serious personal injury, do not use hands or feet to unclog the chute.

Your lithium snow thrower is equipped with overcurrent protection. When the current reaches a certain pre-determined level, the unit will automatically slow down until the current drops. When the current drops to a safe level, the snow thrower will resume normal operation.



MAINTENANCE AND STORAGE

Before carrying out maintenance operations, remove the battery pack.

Regular cleaning and maintenance of your snow thrower will ensure efficiency and prolong the life of the product.

After each use, take apart and clean out the ice and debris from the ventilator and its slots, the auger and the housing.

Only use a cloth soaked with hot water and a soft brush to clean the snow thrower. **Never wet or spray water on the machine!**

Do not use detergents or solvents as these could cause irreparable damage to the snow thrower. Chemicals can destroy the plastic parts.

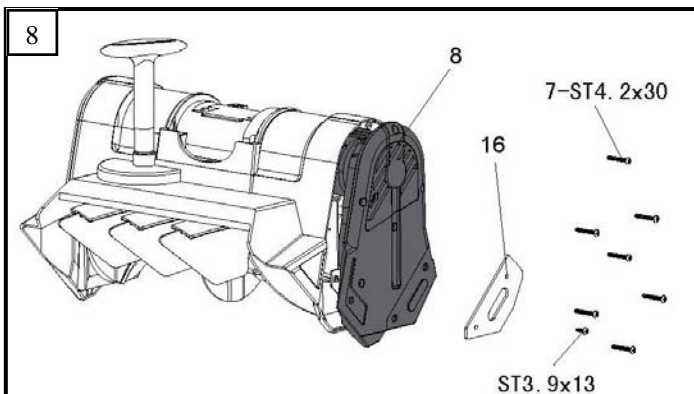
To protect the snow thrower from corrosion when storing for long periods, lightly oil the metal parts.

Store the appliance in a dry area out of reach of children.

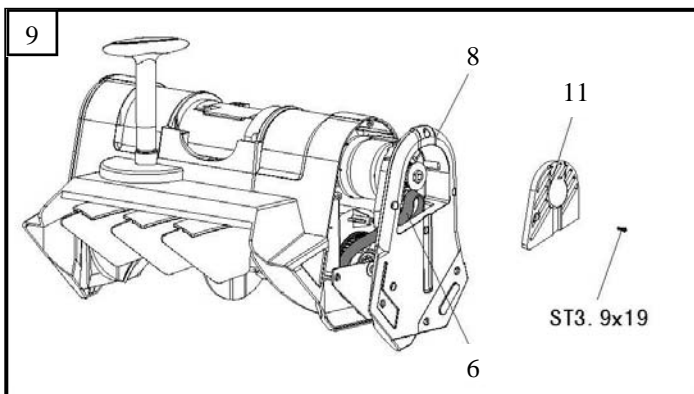
For the user's safety, worn or damaged parts must be replaced. Replace with original replacement parts only. Parts from another snow thrower may not fit properly causing an unsafe situation.

Changing the belt (Fig. 8, 9, 10, 11, 12)

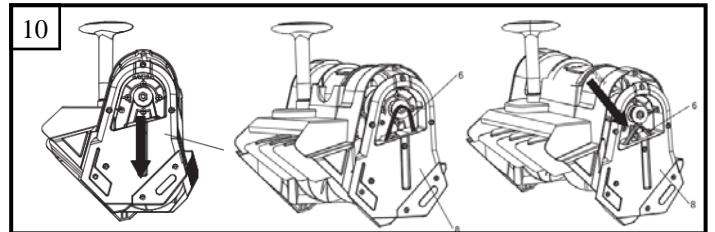
1. Remove friction plate (16) and loosen left side cover (8) from main body. (Fig. 8)



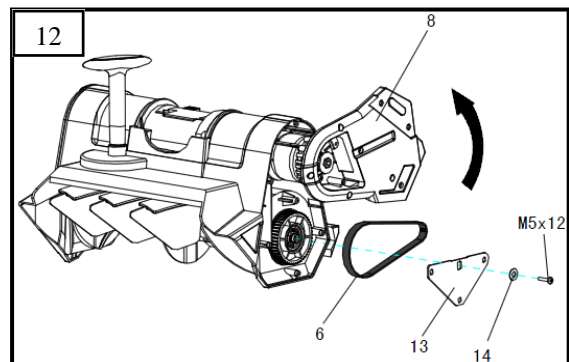
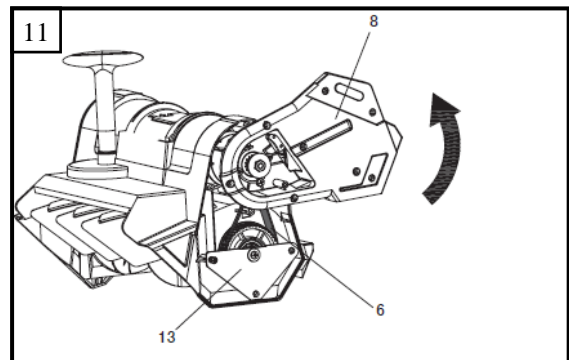
2. Remove the side plate (11) from the left plate cover (8). (Fig. 9)



3. Move the left plate cover (8) downward to loosen the belt (6). Remove the belt (6) from the wheel and push it down through the slot in the left plate cover (8). (Fig. 10)



4. Turn the left plate cover (8) counterclockwise to expose fix plate (13). Remove M5x12 bolt, washer (14), fix plate (13), and then remove the belt (6).



5. Replace worn belt with new belt and install the fix plate (13), left side cover (8), side plate (11), and friction plate (16) by following the above steps in reverse order.

MAINTENANCE AND STORAGE

Auger (Fig. 8, 13)

CAUTION Check fasteners before each use. A loose auger can result in excessive vibration and damage the snow thrower.

To replace the auger:

1. Remove cover (8) and friction plate (16). Remove bolt (15), washer (14), fix plate (13), and drive belt (6).
2. Loosen the nut (24) from the other side of the auger (18) and dismount the pulley (12) and auger axle (19).
3. Replace the auger with a new one.

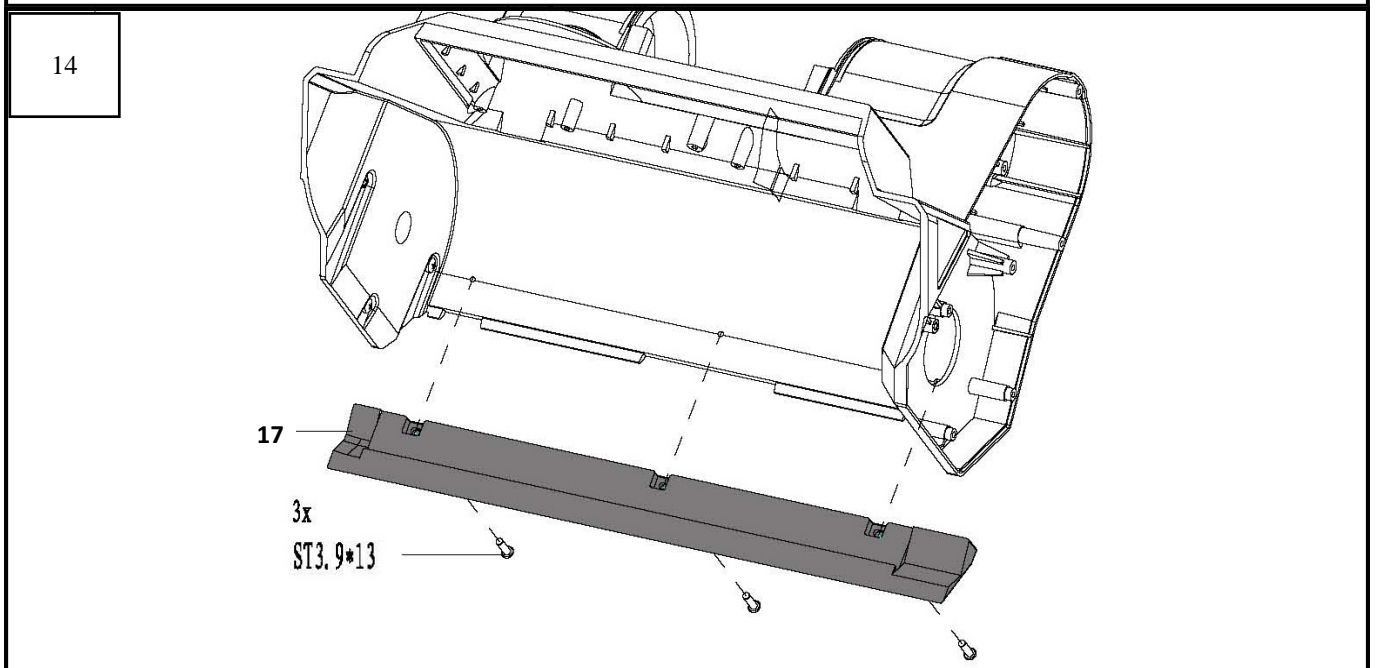
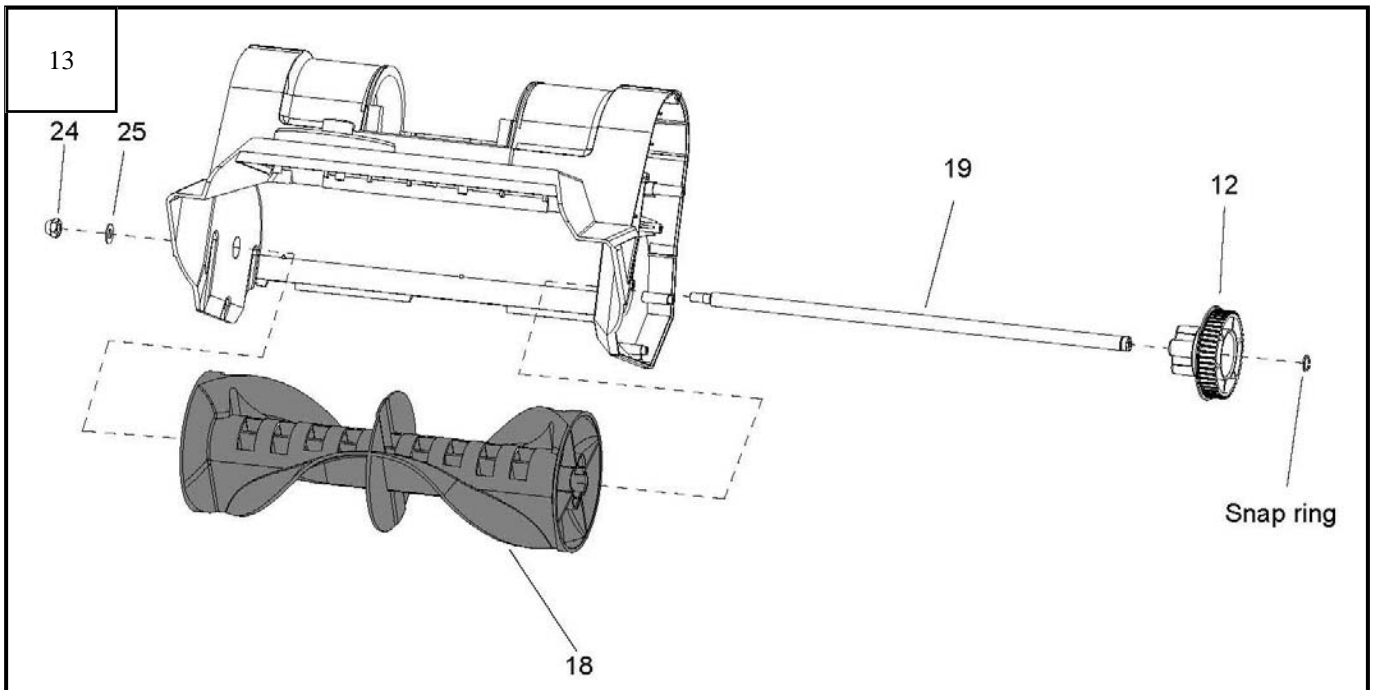
4. When reassembled, ensure all screws and nuts are properly tightened.

Scraper blade (Fig. 14)

The scraper blade is a wear item and should be replaced when necessary. A worn scraper blade can cause extreme vibration and damage the auger.

To replace the scraper blade:

1. Remove the three screws from the bottom of the blade and slide the blade forward to remove.
2. Install new scraper blade.
3. Secure with the three screws.
4. Ensure the screws are properly tightened.



CHARGING THE BATTERY PACK

BATTERY METER

Since the snow thrower battery is shipped in a low charge condition, the battery must be charged before use. The battery has 3 LED lights to indicate battery capacity. These lights will only illuminate when the light indicator button is pushed.

If three GREEN lights illuminate, the battery is charged and ready for use. Two green lights are equal to 25%-80% charge, while one green light is equal to 5%-25% charge.

It is recommended to charge battery pack when one light is illuminated.

CHARGING THE BATTERY PACK

The snow thrower comes with maintenance free, sealed 40 volt storage batteries.

- Charge the battery pack only with the charger provided.
- Allow at least two hours of charge time before initial use of the snow thrower.
- Make sure the power supply is normal household voltage, **120 volts, 60Hz, AC only**.
- The battery should be charged in a cool, dry place.
- To improve battery life, store battery indoors in a controlled climate. **Fully charge battery pack every 3 months.**
- Since the battery will not develop a memory, it does not have to be fully discharged before recharging.
- 2 to 3 initial charging/discharging cycles may be required to achieve maximum run time/capacity.
- When fully charged, the battery can be safely stored in temperatures down to $-4^{\circ}\text{F}(-20^{\circ}\text{C})$ for a period of up to one month before requiring charging. **Fully charge battery pack every 3 months.**
- The battery charger should be operated in temperatures between 32°F and $100^{\circ}\text{F}(0^{\circ}\text{C}$ and $37.8^{\circ}\text{C})$.

TO CHARGE

Insert the 120 volt plug of the charger into the wall receptacle. Light A will illuminate and stay green. (Fig. 12)

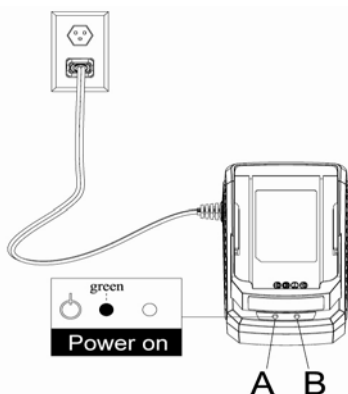
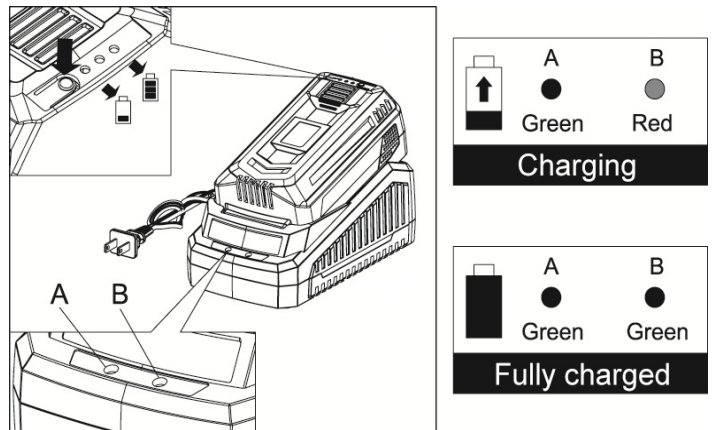


Fig. 12

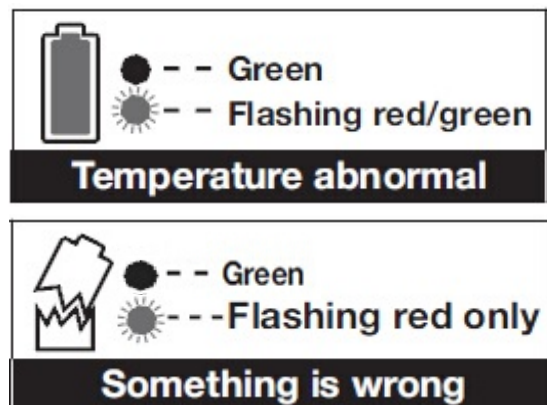
- Slide the battery pack into the charger to lock it into position as shown in Fig 13. Light B will illuminate red to indicate that the battery is charging and the three lights on the battery pack will cycle in green.
- When the battery pack is fully charged, light B will turn green and the lights on the battery pack will shut off. (Fig 13)

NOTE: Typical time required to reach a full charge is 2 1/2 hours.

Fig. 13



NOTE: If light A remains green while light B alternately flashes red and green, this indicates a temperature abnormality (i.e. that the battery pack is either too hot or too cold). If there is a red blinking light, this indicates that something is wrong with the battery. Contact Earthwise customer service center at 1-800-313-5111 for assistance.



If the charging light indicator Light B alternately blinks red and green or it does not come on at all, check that the battery pack is fully seated into the bay. Remove the pack and reinsert. If the problem persists, contact the Earthwise customer service center at 1-800-313-5111 for assistance.

CHARGING THE BATTERY PACK

SLEEP MODE:

If the light indicator button is continuously pressed for more than 30 seconds, the lights will go into sleep mode. When light indicator button is pushed, no lights illuminate (This can occasionally occur during transportation).

To re-activate battery LED lights, place the battery on the charger and charge for one to two minutes. Battery indicator will function normally.

STORAGE

Run the snow thrower for a few minutes to melt away any snow on the snow thrower.

Remove the battery pack from the snow thrower.

Examine the snow thrower thoroughly for worn, loose, or damaged parts. Check connections and screws and tighten if necessary. To repair or replace parts, contact our customer service help line at 1-800-313-5111.

Store the snow thrower, along with the removed battery pack, in a clean, dry place out of reach of children. Cover loosely with a tarp for added protection.

BATTERY DISPOSAL

Remove the battery pack from the snow thrower. Cover the terminals with heavy duty adhesive tape. Do not attempt to destroy or disassemble battery pack or remove any components. This product contains lithium-ion batteries which must be recycled or disposed of properly. Local, state or federal laws may prohibit disposal of these batteries in ordinary trash.



The RBRC seal on the li-ion battery pack indicates that the costs to recycle the battery pack at the end of its useful life has already been paid by The Great States Corporation American Lawn Mower Company. It is illegal to place spent li-ion batteries in the local municipal solid waste or in the trash. RBRC in cooperation with The Great States Corporation American Lawn Mower Company has provided an environmentally friendly and easy way to recycle spent li-ion batteries. Just contact your local recycling center or call 1-800-8BATTERY for information on where to drop off the spent battery.

TROUBLESHOOTING

Problem	Possible causes	Remedy
Motor does not start	Battery not making contact. Lock off not fully operated. Battery not installed properly. Battery not charged.	Check battery is fully inserted. Check that lock off button is fully depressed prior to moving trigger. Check battery installation. Check battery charging requirements.
Poor results	Drive belt worn or damaged. Auger worn or damaged. Discharge blocked.	Replace the drive belt. Replace the auger. Ensure the screws and nuts are properly tightened. Switch off the snow thrower, remove the battery pack, and clean the discharge.
Abnormal vibrations	Drive belt worn or damaged. Auger worn or damaged. Scraper blade worn or damaged.	Replace the drive belt. Replace the auger. Ensure the screws and nuts are properly tightened. Replace the scraper blade. Ensure the screws are properly tightened.

SERVICE

Should you need repair parts or service, simply contact us at 1-800-313-5111.

Be sure to provide all pertinent facts when you call.

REPAIR PARTS

Please record your serial number in the space provided below.

- NAME OF ITEM Snow Thrower
- MODEL NUMBER SN74016
- SERIAL NUMBER _____

CALL US FIRST !!

Call us first with questions about operating or maintaining this product at 1.800.313.5111 between 8:00 a.m. – 5:00 p.m. Eastern Standard Time, or send emails to earthwise@reelin.com.



The Great States Corporation
American Lawn Mower Company
830 Webster Street
Shelbyville, IN 46176
www.earthwisetools.com



OPERATOR'S MANUAL

16-IN Lithium Snow Thrower

This product is covered by U. S. patents and other international patents

Copyright All Rights Reserved.

WARRANTY POLICY

Two (2) year limited warranty on Earthwise 40 volt outdoor power equipment.

Earthwise warrants to the original owner that each new product and service part is free from defects in materials and workmanship and agrees to repair or replace any defective product or part for the warranty period as stated above from the original date of purchase except for the conditions and circumstances listed below:

This warranty applies only to the original purchaser at retail and may not be transferred.

Warranty applies if the product is used for personal, household or family use. Warranty is void if product is used for commercial, industrial or rental purposes.

Warranty does not include repairs necessary due to operator's abuse or negligence (including overloading the product beyond capacity or immersion in water), or the failure to assemble, operate, maintain or store the product according to the instructions in the operator's manual.

This warranty is not transferable and only applies to product sold directly from an authorized retailer. This warranty does not apply to any product, new or used, purchased through unauthorized third-party channels.

ANY INCIDENTAL, INDIRECT OR CONSEQUENTIAL LOSS, DAMAGE, OR EXPENSE THAT MAY RESULT FROM ANY DEFECT, FAILURE OR MALFUNCTION OF THE PRODUCT IS NOT COVERED BY THE WARRANTY. Some states do not allow the exclusion or limitation on how long an implied warranty lasts, so the above limitation may not apply to you.

Products sold damaged or incomplete, sold "as is", or sold as reconditioned are not covered under the warranty.

Damage or liability caused by shipping, improper handling, improper assembly, incorrect voltage, improper wiring, improper maintenance, improper modification or the use of accessories and/or attachments not specifically recommended is not covered by this warranty.

Expendable items that become worn during normal use are not covered by the warranty.

Warranty does not cover damage caused by cold, heat, rain, excessive humidity, corrosive environments and materials, or other contaminants.

Warranty does not include installation, assembly or normal adjustments explained in the operator's manual.

The expense of delivering the product to the vendor and the expense of returning the product or replacement parts to the owner is not covered by the warranty.

The warranty does not cover normal deterioration of the exterior finish, including but not limited to scratches, dents, paint chips or any corrosion or discoloration caused by heat, abrasive and chemical cleaners.

Proof of purchase, original dated sales receipt, must accompany all warranty claims.

The Great States Corporation
American Lawn Mower Company
830 Webster Street
Shelbyville, IN 46176
Phone 1-800-313-5111
www.earthwisetools.com

In a continued commitment to improve quality, the Manufacturer reserves the right to make component changes or design changes when necessary.



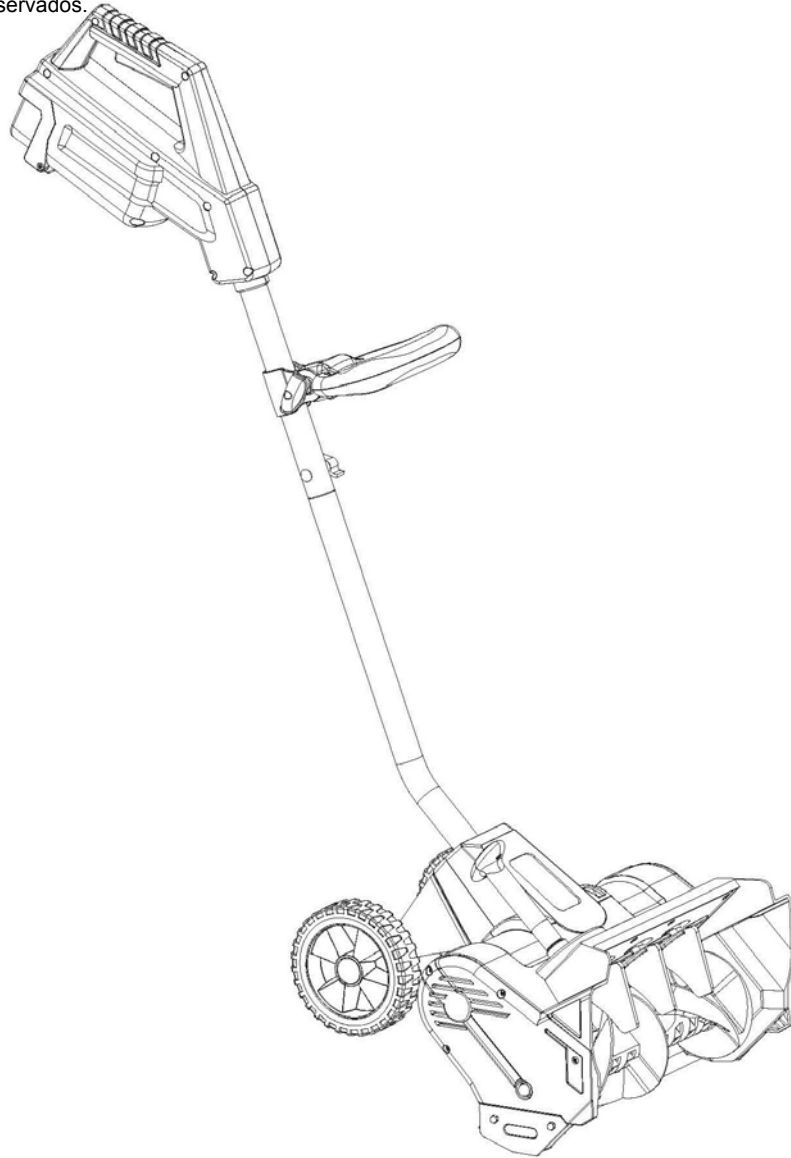
MANUAL DEL OPERARIO

Sopladora de nieve de 406 mm (16 pulg.)

Este producto está amparado por patentes de EE. UU. y otras patentes internacionales.

Copyright. Todos los derechos reservados.

Modelo SN74016



Cargador Cumple con
CA está incluido
(Modelo No. CHL80040)



Intertek
3189723

**CONFORMS TO UL
STD No. 1090
CERTIFIED TO
CAN/CSA STD C22.2
No. 147-15**

Este producto fue diseñado y fabricado de acuerdo con nuestros altos estándares de confiabilidad, facilidad de operación y seguridad para el operario. Si se trata con cuidado, esta herramienta le otorgará años de óptimo rendimiento y resistencia.



ADVERTENCIA: Para reducir el riesgo de sufrir alguna lesión, el usuario debe leer y comprender el manual del operario antes de usar este producto.

DEBE CARGAR LA BATERÍA ANTES DE UTILIZARLA POR PRIMERA VEZ.

Muchas gracias por su compra.

NO DEVUELVA ESTE PRODUCTO A LA TIENDA. ¿TIENE PREGUNTAS SOBRE EL FUNCIONAMIENTO, EL MONTAJE, LAS PIEZAS Y EL MANTENIMIENTO? LLAME AL 1-800-313-5111 ENTRE LAS 8:00 Y LAS 17:00 HS., HORA DEL ESTE DE LOS ESTADOS UNIDOS.

GUARDE ESTE MANUAL PARA CONSULTAS FUTURAS

SÍMBOLOS

Algunos de los siguientes símbolos pueden aparecer en este producto. Tenga a bien estudiarlos y aprender su significado. La adecuada interpretación de estos símbolos le permitirá operar el producto mejor y de manera más segura.



Precauciones para su seguridad.



PRECAUCIÓN: Lea el manual de instrucciones y atienda las instrucciones de seguridad y advertencia.



PRECAUCIÓN: Retire el enchufe del tomacorriente de inmediato si el cable está dañado o cortado.



PRECAUCIÓN: Use siempre protecciones para sus ojos y oídos.



Use calzado seguro, resistente y antideslizante.



¡PELIGRO! Pueden ser lanzados objetos a gran velocidad cuando el motor está en funcionamiento. No pase delante de la máquina cuando está funcionando.



Mantenga a las personas que se encuentran en el lugar a una distancia segura.



¡PELIGRO! Cuchillas giratorias. Mantenga manos y pies a una distancia segura.



No colocar la mano debajo de la barrena.



No colocar la mano enfrente del deflector de descarga.



No colocar la pie debajo de la barrena.



¡PELIGRO! Riesgos de descargas eléctricas.



No usar en la lluvia. No usar durante tormentas eléctricas.



Los productos eléctricos no se deben desechar junto con los residuos domésticos. Recicle donde haya centros para tal fin. Consulte a la autoridad local o al distribuidor minorista para obtener asesoramiento sobre reciclado.



ADVERTENCIAS DE SEGURIDAD IMPORTANTES



PARA REDUCIR EL RIESGO DE LESIONES: Antes de utilizar este producto, cerciórese de que todos los usuarios lean y comprendan las instrucciones de seguridad y la demás información incluida en este manual.



PRECAUCIÓN: Use protección auditiva apropiada mientras trabaja. En ciertas condiciones y con cierta duración de uso, el ruido generado por este producto puede contribuir a la pérdida de la audición.

Guarde estas instrucciones y revíselas con frecuencia antes de usar la herramienta y para impartirlas a otros.



ADVERTENCIA: Al utilizar aparatos eléctricos, se recomienda respetar siempre las precauciones de seguridad básicas que se detallan a continuación, a fin de reducir riesgos de incendios, descargas eléctricas y lesiones personales.

LEA TODAS LAS INSTRUCCIONES

NORMAS GENERALES DE SEGURIDAD

CONTROLE SI HAY PIEZAS DAÑADAS. Antes de seguir usando el producto, se deberán revisar las piezas dañadas en forma exhaustiva para determinar si la herramienta funcionará correctamente y realizará el trabajo previsto. Compruebe la alineación y las uniones de las piezas móviles, el montaje, averías de componentes y otros factores que puedan afectar el funcionamiento. Se debe reparar o reemplazar cualquier pieza dañada en forma adecuada. Para recibir asistencia, comuníquese con nuestra línea de ayuda de atención al cliente al 1-800-313-5111.

EVITE AMBIENTES PELIGROSOS. No utilice este producto en condiciones de lluvia o tormenta. Tampoco trabaje en entornos donde existan gases o sustancias explosivas. Por lo general, los motores de estos productos producen chispas que podrían inflamar los gases.

MANTENGA ALEJADOS A LOS NIÑOS. Todos los visitantes, niños y mascotas deben mantenerse a una distancia segura de la zona de trabajo.

USE ROPA ADECUADA. No use prendas sueltas ni artículos de joyería. Use protección para cubrir y sujetar el cabello largo, ya que puede quedar atrapado en las piezas móviles.

Utilice botas de goma al operar el quitanieves. En todo momento mantenga una buena base de apoyo, especialmente en pendientes.

USE GAFAS DE SEGURIDAD. Al trabajar con este producto, use gafas de seguridad con protectores laterales que cumplan con la norma ANSI Z87.1.



ADVERTENCIA: Mantenga las manos lejos de las piezas en movimiento. Nunca coloque las manos cerca de la barrena para quitar nieve, palos u otro desecho. Al limpiar la barrena, esta puede destrabarse repentinamente y provocar lesiones, aún cuando la sopladora de nieve se haya detenido. Para destapar, use siempre un palo de madera como el del mango de una escoba.

EXTRAIGA LA BATERÍA cuando no esté en uso o durante el servicio de mantenimiento o la limpieza. Manténgala bajo vigilancia constante.

USE LA HERRAMIENTA CORRECTA. No utilice este producto en trabajos para los que no esté indicado.

Evite el arranque accidental: No cargue la sopladora de nieve con el dedo en el interruptor cuando la batería esté instalada. Asegúrese de que el interruptor esté en la posición de apagado al instalar las baterías.

NO FUERCE EL QUITANIEVES - Funcionará mejor y de manera más segura a la velocidad para la que fue diseñado.

NO ADOpte UNA POSTURA INCÓMODA.

Guíe la sopladora de nieve sólo a paso de hombre. Mantenga una base de apoyo firme y buen equilibrio en todo momento.

ILUMINACIÓN. Trabaje con la sopladora de nieve sólo con luz natural o buena luz artificial.

GUARDE LA UNIDAD BAJO TECHO. Cuando no esté en uso, la sopladora de nieve se deberá guardar en un lugar seco, fuera del alcance de los niños.

MANTENGA LA UNIDAD EN CONDICIONES.

Consérvela limpia para lograr un óptimo funcionamiento y reducir el riesgo de lesiones. Revise el cable de extensión periódicamente y reemplácelo si está dañado. Mantenga los mangos secos, limpios y libres de aceite.

Para un funcionamiento seguro, no utilice la sopladora de nieve en pendientes demasiado pronunciadas. Cuando trabaje en pendientes, disminuya la velocidad y asegúrese de tener una buena base de apoyo.

Antes de arrancar la sopladora de nieve, asegúrese de que la barrena no toque ningún objeto y esté libre para moverse.

No utilice el quitanieves en superficies cubiertas con gravilla a menos que se haya ajustado para tales superficies, según el manual del operario.

El funcionamiento del quitanieves en posición manual no es seguro a menos que se utilice conforme a las instrucciones especiales provistas en el manual del operario.



PRECAUCIÓN: Nunca arroje nieve a las personas, mascotas o automóviles y no permita que nadie esté frente a la sopladora de nieve mientras está en funcionamiento.

Los objetos que pueden tapan la sopladora de nieve o causar daños pueden estar escondidos en la nieve. Antes de usar la máquina, despeje el área de felpudos, trineos, tablas, cables y otros desechos.




Si la barrena golpea un cuerpo extraño, verifique que no haya signos de daños en la sopladora de nieve y haga las reparaciones necesarias antes de volver a empezar y continuar el trabajo.

PONGA ATENCIÓN. Ponga atención a lo que está haciendo. Use el sentido común. No opere la sopladora de nieve si está cansado o bajo la influencia de drogas, alcohol o medicamentos.

NORMAS GENERALES DE SEGURIDAD

Si la sopladora de nieve comienza a vibrar de manera inusual, apáguela de inmediato y revísela para detectar la causa. Generalmente, la vibración advierte la existencia de un problema.

Siempre apáguela; extraiga la batería y espere hasta que la barrena se detenga por completo antes de realizar tareas de mantenimiento o reparaciones.

-  **PRECAUCIÓN:** La barrena no se detiene de inmediato cuando se apaga la sopladora de nieve.
-  **PRECAUCIÓN:** Riesgo de lesiones. No acerque ninguna parte de su cuerpo, ni prendas de vestir a la barrena giratoria.
-  **ADVERTENCIA: Proposición 65 de California:** Este producto contiene sustancias químicas al estado de California como causantes de cáncer, defectos de nacimiento u otros problemas reproductivos.

REGLAS DE SEGURIDAD PARA EL EMPLEO DEL CARGADOR

No maltrate el cordón ni lo utilice para trasladar la podadora de pasto. Tampoco tire del cordón para desconectar el aparato. Mantenga el cordón alejado del calor, el aceite, los bordes afilados o las piezas móviles. Los cordones dañados o enredados aumentan el riesgo de descarga eléctrica.

Usar un aditamento que no sea recomendado o vendido por el fabricante del cargador de la batería puede provocar un riesgo de incendio, descarga eléctrica o lesiones personales. Seguir estas medidas precautorias disminuirá el riesgo de descarga eléctrica, incendio o lesiones personales.

No dé mantenimiento a la sopladora de nieve con la llave de seguridad o el cargador instalados.

No utilice el cargador cuando la temperatura ambiente sea mayor de 37.8°C (100°F) ó menor de 0°C (32°F).

No utilice el cargador si está dañado el cordón o la clavija, ya que podría causar un corto circuito y una descarga eléctrica. Si está dañada una pieza, un centro de servicio autorizado debe reemplazar el cargador.

No utilice el cargador si el mismo ha sufrido una caída, un golpe seco o un daño de cualquier tipo. Llévelo a un técnico de servicio autorizado para una revisión eléctrica y así determinar si el cargador está en buenas condiciones de funcionamiento.

Para reducir el riesgo de una descarga eléctrica, desconecte el cargador de la toma de corriente antes de iniciar una tarea de mantenimiento o de limpieza.

Cuando el cargador no esté en uso, desconéctelo del suministro eléctrico. Esto ayuda a evitar dañar el cargador en caso de una subida de voltaje.

Riesgo de descarga eléctrica. No toque ninguna parte sin aislar del conector de salida, ni ninguna terminal de las pilas en tales condiciones.

No exponga el cargador a condiciones húmedas o mojadas. La introducción de agua en el cargador aumenta el riesgo de una descarga eléctrica.

Asegúrese de que el cordón eléctrico esté ubicado de tal manera que nadie lo pise o se tropiece con él, no toque bordes afilados o piezas móviles ni quede sujeto a daños ni tensiones. De esta manera se reduce el riesgo de caídas accidentales que pudieran causar lesiones personales y daños al cordón, lo cual podría ocasionar una descarga eléctrica.

Mantenga el cordón y el cargador alejados del calor para evitar dañar el alojamiento o las partes internas de la unidad.

No permita que gasolina, aceites, productos a base de petróleo, etc. lleguen a tocar las piezas de plástico.

Dichos productos contienen compuestos químicos que pueden dañar, debilitar o destruir el plástico.


No debe emplearse un cordón de extensión a menos que sea absolutamente necesario. El empleo de un

cordón de extensión inadecuado puede significar un riesgo de incendio o descarga eléctrica. Si es necesario utilizar un cordón de extensión, asegúrese.

- a. De que las patillas de la clavija del cordón de extensión vengan en el mismo número, tamaño y forma que las de la clavija del cargador.
- b. De que el cordón de extensión esté cableado correctamente y en buenas condiciones eléctricas, y
- c. De que tamaño del alambre sea del tamaño suficiente para el amperaje de CA nominal del cargador como se especifica a continuación:

Long. cordón (pies)	25'	50'	100'
Calibre cordón (AWG)	16	16	16

NOTA: AWG= Calibre conductors norma americana
Guarde estas instrucciones. Consúltelas con frecuencia y empléelas para instruir a otras personas que puedan utilizar este sopladora de nieve. Si presta a alguien esta herramienta, facilítele también las instrucciones.

 **ADVERTENCIA:** Mantenga todas las conexiones secas y alejadas del suelo. No toque el enchufe con manos mojadas.

ADVERTENCIAS DE LA FCC:

Por favor tenga en cuenta que los cambios o modificaciones a los que se someta este producto y que no estén expresamente aprobados por la parte responsable del cumplimiento, podrían anular la autoridad del usuario para operar el equipo.

NOTA: Este equipo ha sido probado y se ha determinado que cumple con los límites de un dispositivo digital Clase B, de conformidad con la Parte 15 de las Reglas de la Comisión Federal de Comunicaciones (FCC por sus siglas en inglés). Estos límites están diseñados para brindar una protección razonable contra interferencias dañinas en instalaciones residenciales. Este equipo genera, utiliza y puede emitir energía de radiofrecuencia, y si no se instala y utiliza según las instrucciones, podría ocasionar interferencia perjudicial para las comunicaciones por radio. Sin embargo, no se garantiza que no se producirá interferencia en alguna instalación en particular. Si este equipo causa interferencia perjudicial a la recepción de radio o de televisión, lo cual puede determinar si apaga y enciende el equipo, se le aconseja al usuario que trate de corregir la interferencia realizando una o más de las siguientes acciones:

- Cambie la ubicación o la orientación de la antena receptora.
- Aumente la distancia que separa el equipo y el receptor.
- Conecte el equipo a un tomacorriente que esté en un circuito distinto al que está conectado el receptor.
- Consulte a su concesionario o a un técnico experimentado de radio/TV para pedir ayuda.

ESPECIFICACIONES DEL PRODUCTO

Modelo: SN74016

Entrada:	40V, CC solamente	Ancho de barrido:	406 mm (16 pulg.)
Batería:	40V, 4.0 Ah Lithim-ion	Profundidad máx. de barrido:	200 mm (8 pulg.)
Tiempo de carga:	2,5 horas	Distancia de lanzamiento:	Hasta 975 cm (32 pies)
Duración de la batería:	25-40 minutos	Capacidad de barrido:	136 kg (300 libras)/minuto
Velocidad de ralenti:	2000 RPM	Peso:	8.8 kg (19.4 libras)

LISTA DE EMBALAJE

DESEMBALAJE




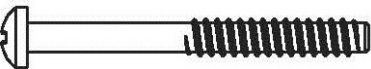
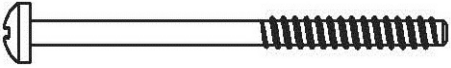

Este producto requiere montaje.

Extraiga la herramienta de la caja con cuidado. Asegúrese de que estén incluidos todos los elementos detallados en la lista de embalaje.

Inspeccione el producto detenidamente para corroborar que no existan roturas ni averías ocurridas durante el envío.

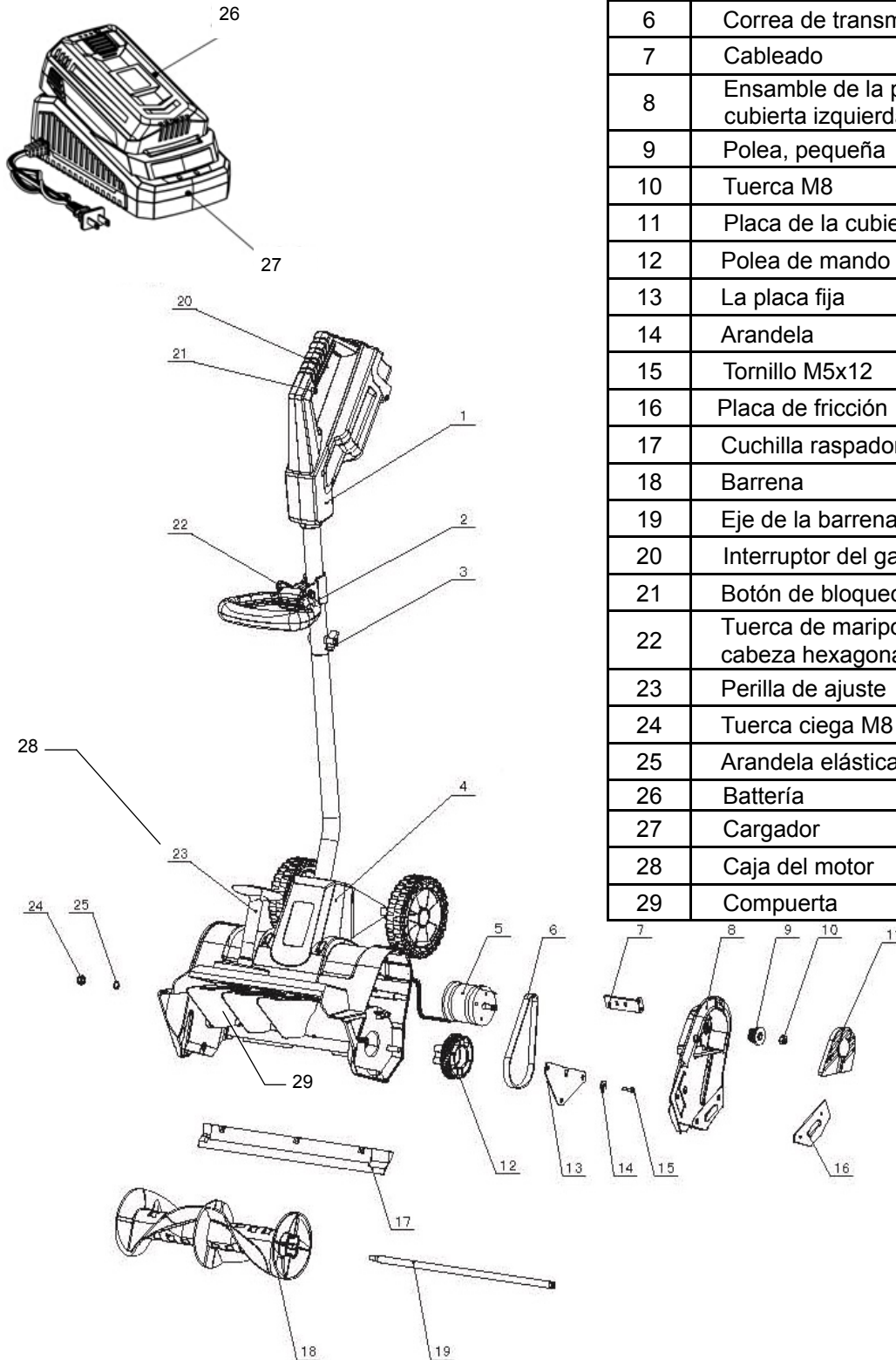
No deseche el material de embalaje hasta haber inspeccionado exhaustivamente el producto y comprobar que funciona en forma satisfactoria.

Si alguna pieza falta o está dañada, llame al 1-800-313-5111 para obtener asistencia.

LISTA DE EMBALAJE	
1	Sopladora de nieve
1	Mango inferior y el mango superior
1	Perno de carruaje (6 x 45) y tuerca de mariposa 
4	Tornillo autorroscante (4,2 x 30) 
1	Perilla de ajuste
1	Tornillo autorroscante (4,0 x 50) 
1	Tapa de la perilla de ajuste
1	Soporte de ruedas
2	Ruedas
2	Cubierta de ruedas
2	Tornillo autorroscante (3,9 x 45) 
2	Tornillo autorroscante (3,9 x 55) 
1	Mango auxiliar
1	Perno de cabeza hexagonal (6 x 50) y tuerca de mariposa 
1	Manual del operario

LISTA DE PIEZAS

Pos.	Description	Qty
1	Mango	1
2	Mango auxiliar completo	1
3	Tuerca de mariposa (Perno de carrocería M6x45)	1
4	Cubierta superior	1
5	Motor	1
6	Correa de transmisión	1
7	Cableado	1
8	Ensamble de la placa de la cubierta izquierda	1
9	Polea, pequeña	1
10	Tuerca M8	1
11	Placa de la cubierta izquierda	1
12	Polea de mando	1
13	La placa fija	1
14	Arandela	1
15	Tornillo M5x12	1
16	Placa de fricción	2
17	Cuchilla raspadora	1
18	Barrena	1
19	Eje de la barrena	1
20	Interruptor del gatillo	1
21	Botón de bloqueo de seguridad	1
22	Tuerca de mariposa (Perno de cabeza hexagonal M6 x 50)	1
23	Perilla de ajuste	1
24	Tuerca ciega M8	1
25	Arandela elástica	1
26	Batería	1
27	Cargador	1
28	Caja del motor	1
29	Compuerta	3

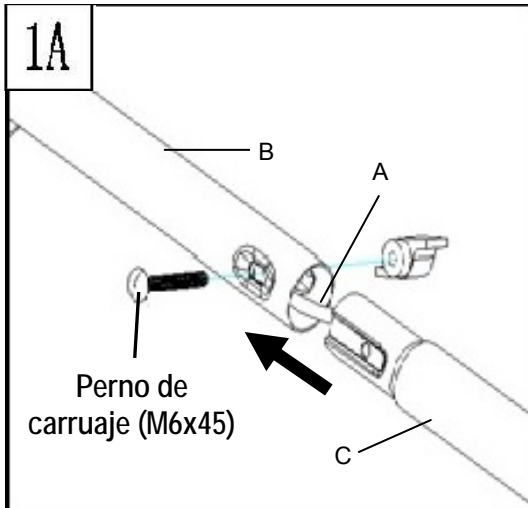


MONTAJE

Este producto debe ser montado correctamente antes de su uso.

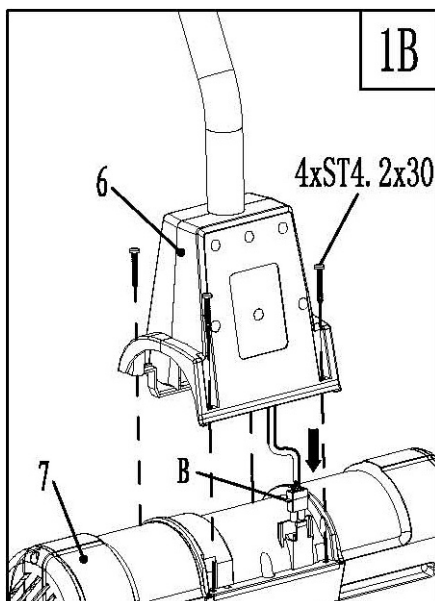
Mango (Fig. 1A)

Deslice la sección inferior (C) en la sección superior (B). Alinee los orificios de cada tubo y asegúrese de que el cable (A) no obstruya los orificios de montaje. Sujete las dos secciones con el perno de carruaje (6 x 45) y tuerca de mariposa.



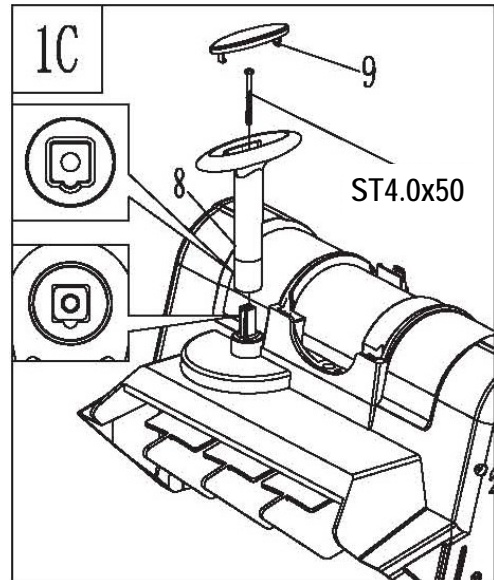
Caja del motor (Fig. 1B)

Retire el tapón protector y conecte la toma (B) de la tapa superior (6) al enchufe de la caja del motor (7). Sujete la cubierta superior a la caja del motor con cuatro de los tornillos ST4.2 x 30.



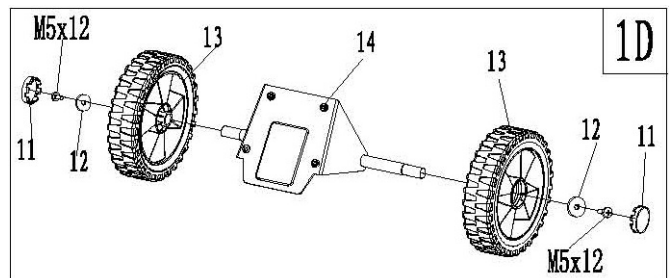
Perilla de ajuste (Fig. 1C)

Alinee la costilla en el husillo con la muesca en la perilla de ajuste y empuje la perilla de ajuste en el husillo. Asegúre la perilla con el cabeza tornillo autorroscante ST4.0 x 50. Coloque la tapa de la perilla de ajuste en la parte superior y presione para fijarla.



Ruedas (Fig. 1D)

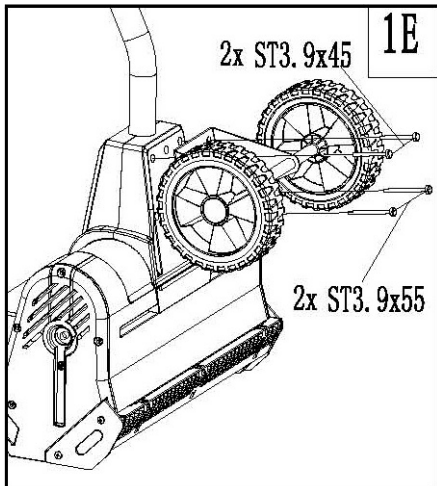
Retire los tornillos y las arandelas del soporte de ruedas. Instale las ruedas (13) y ajústelas con las arandelas y los tornillos M5 x 12. Coloque las cubiertas de las ruedas.



MONTAJE

Soporte de ruedas (Fig. 1E)

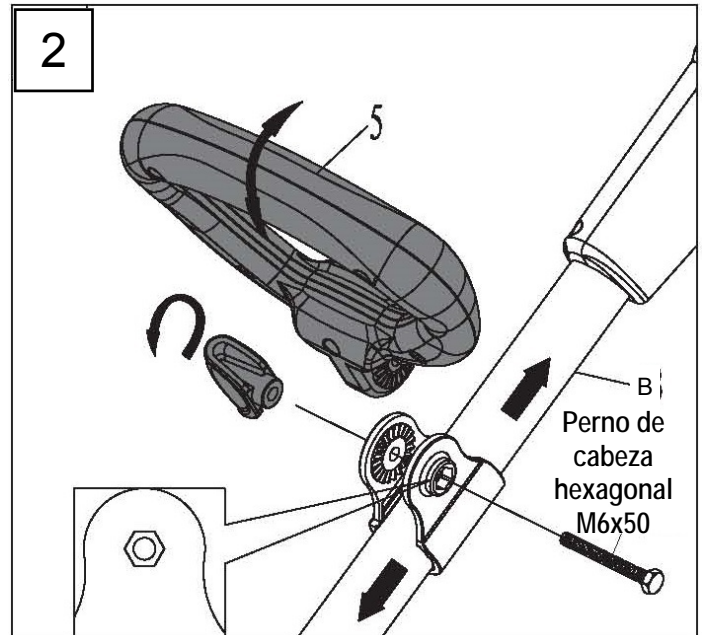
Alinee los orificios del soporte de ruedas con los orificios de la cubierta superior. Ajuste el soporte de ruedas con tornillos ST3.9 x 45 en los orificios superiores y el tornillos ST3.9 x 55 en los orificios inferiores.



Mango auxiliar (Fig. 2)

Coloque el mango auxiliar de manera que los orificios estén alineados con los orificios del soporte del mango. Inserte el perno con cabezal hexagonal M6X50 en el orificio del perno con cabezal hexagonal del soporte. Sujete ajustando la perilla en el perno.

Afloje la perilla y levante el mango a la posición de funcionamiento. Ajuste la altura del mango a una posición segura y cómoda y fíjelo con la perilla.

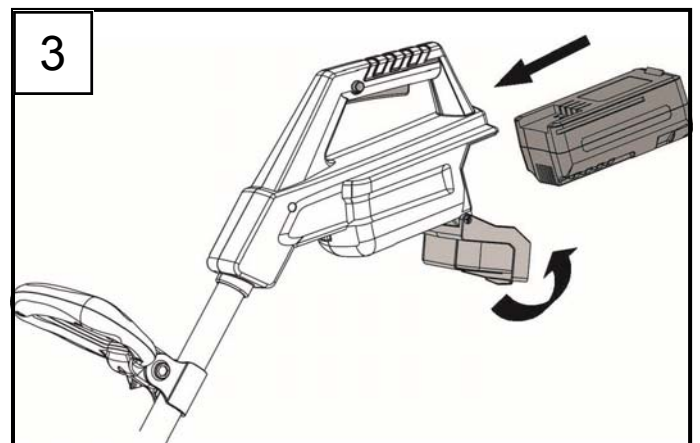


FUNCIONAMIENTO

Esta sopladora de nieve está diseñada para barrer nieve de aceras, peldaños, patios, plataformas y otras superficies planas rígidas como caminos de entrada pavimentados. Úselo solo sobre superficies rígidas y planas sin arena, piedras y desechos, cables o cualquier otro objeto. El fabricante no es responsable por daños o lesiones provocados por el uso inadecuado.

Instalación de la batería

Abra la cubierta del compartimento de la batería y deslice la batería hacia abajo hasta que se trabe en su posición, luego trabe la cubierta del compartimento de la batería (Fig. 3)



FUNCIONAMIENTO

Interruptor de encendido/apagado (Fig. 4)

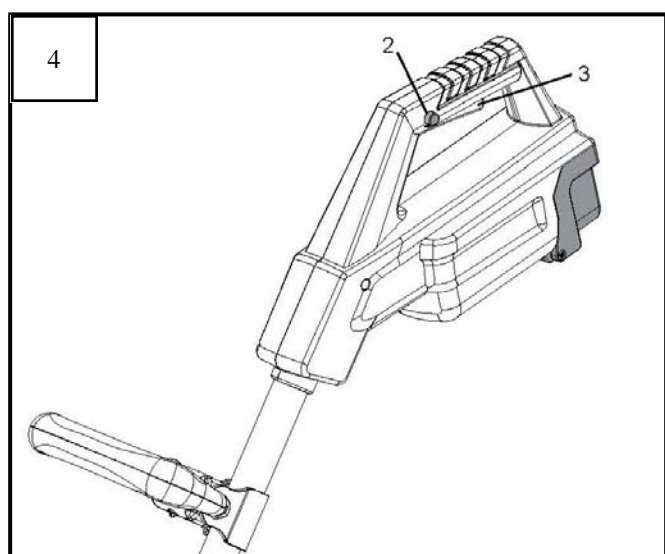
ADVERTENCIA: La barrena comienza a girar inmediatamente después de que la sopladora de nieve se enciende. Mantenga manos y pies alejados de la barrena.

Para encender, sostenga la sopladora de nieve con firmeza con las dos manos, asegúrese de que no toque ninguna superficie y presione el botón de bloqueo de seguridad (2) mientras presiona el interruptor del gatillo de encendido/apagado (3).



Una vez que la sopladora de nieve está en marcha puede soltar el botón de bloqueo de seguridad.

Para apagar, simplemente suelte el gatillo.



Remoción de la nieve

Antes de comenzar a trabajar, asegúrese de que el área esté despejada y sin piedras, desechos, cables y cualquier otro objeto.

Asegúrese de que todos los sujetadores de la sopladora de nieve (tornillos, tuercas, etc.) estén ajustados totalmente.

Inspeccione regularmente la barrena para detectar si está gastada o dañada.

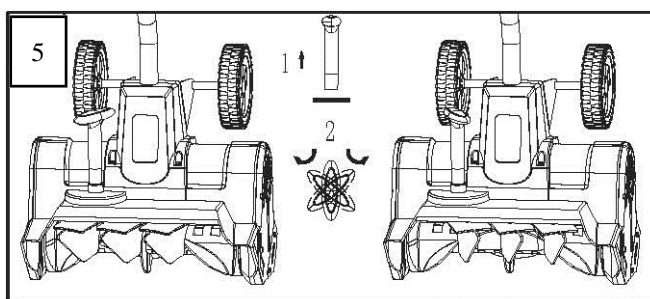
Ubique la sopladora de nieve de manera que descargue hacia una dirección segura lejos del operario y personas que se encuentren en el lugar.

Limpie la nieve con frecuencia antes de que sea demasiado profunda. Es mejor quitar la nieve apenas cae.

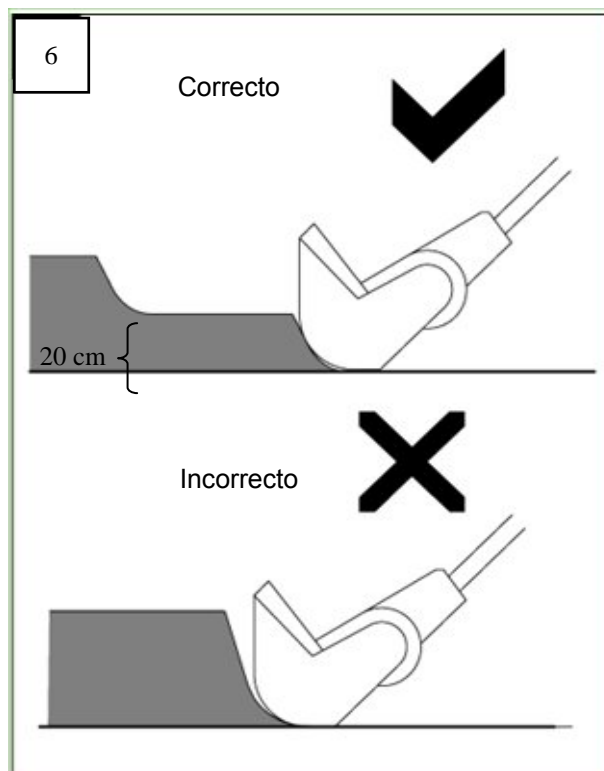
Levante la barrena un poco antes de arrancar la sopladora de nieve.

Encienda e incline la sopladora de nieve hacia adelante hasta que la cuchilla de la barrena toque el suelo. Empújela hacia adelante a una velocidad cómoda y a la vez lo suficientemente despacio para despejar el recorrido por completo. El ancho y profundidad de la nieve determina la velocidad de avance.

Empuje hacia arriba y gire la perilla de ajuste para mover la nieve a la derecha o a la izquierda. Para una remoción de la nieve más eficaz, arroje la nieve en la dirección del viento y solape levemente cada franja. (Fig. 5)



La sopladora de nieve puede quitar hasta 20 cm (8 pulg.) de profundidad en una pasada. Al despejar masas de nieve más profundas, sostenga la sopladora de nieve por los mangos superior e inferior con un movimiento deslizante o de barrido. Quite la capa superior y haga varias pasadas. (Fig. 6)



FUNCIONAMIENTO

Para grandes superficies se requiere un patrón definido de operación para limpiar completamente un área de nieve. Estos patrones evitarán arrojar nieve en lugares no deseados y también eliminar una segunda remoción de nieve. (Fig. 7)

Patrón A: Arroje la nieve a la derecha o a la izquierda donde sea posible. Para áreas como un largo camino de entrada, es mejor comenzar en el medio. Limpie de un extremo a otro, arrojando la nieve a ambos lados.

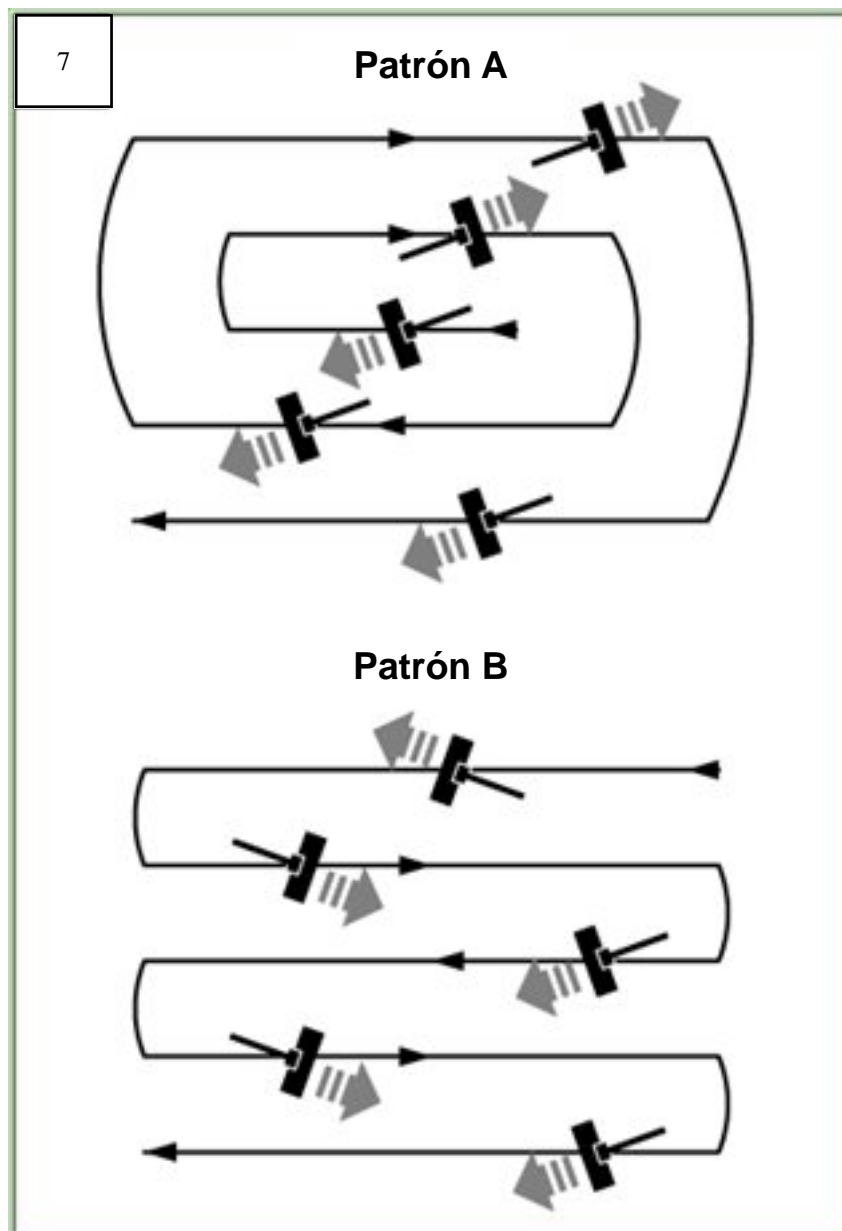
Patrón B: Si la nieve solo se puede arrojar a un lado del área a despejar, comience en el lado opuesto.

Raspar la nieve todo el recorrido hasta el pavimento desgastará el raspador y la barrena. Para proteger estas piezas, se puede dejar una o dos pulgadas de nieve y quitarlas con sal para deshielo o una pala.

Después de quitar la nieve, siga usando la sopladora de nieve durante unos minutos para evitar que el hielo se congele en las piezas móviles. Luego apague el motor, espere a que se detengan las piezas móviles, extraiga la batería y seque el hielo y la nieve de la sopladora de nieve con un paño limpio.

⚠️ ADVERTENCIA: Para evitar lesiones personales graves, no use las manos o los pies para destapar el canal.

Su sopladora de nieve de litio está equipada con protección contra sobretensión. Cuando la tensión alcanza cierto nivel predeterminado, la unidad automáticamente reducirá la intensidad hasta que la tensión baje. Cuando la tensión haya bajado a un nivel seguro, la sopladora de nieve regresará a la operación normal.



MANTENIMIENTO Y ALMACENAMIENTO

Antes de realizar tareas de mantenimiento, extraiga la batería.

Una limpieza y mantenimiento periódicos de su sopladora de nieve asegurará su eficacia y prolongará la vida útil del producto.

Después de cada uso, aparte y limpie el hielo y los desechos del ventilador y sus ranuras, la barrena y la caja. Solo use un paño humedecido con agua caliente y un cepillo suave para limpiar la sopladora de nieve.

¡Nunca moje o rocíe agua en la máquina!

No utilice detergentes ni solventes, ya que podrían ocasionar daños irreversibles a la sopladora de nieve.

Los productos químicos pueden destruir las piezas plásticas.

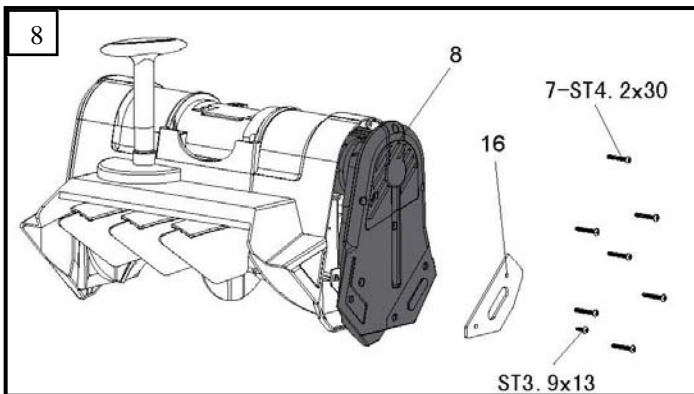
Para proteger a la sopladora de nieve de la corrosión al estar guardada por largos períodos, lubrique ligeramente las piezas metálicas con aceite.

Guarde el artefacto en un lugar seco fuera del alcance de los niños.

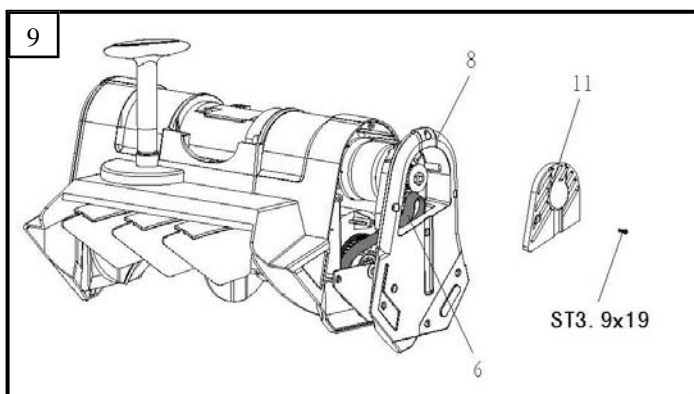
Para la seguridad del usuario, las piezas gastadas o dañadas se deben reemplazar. Reemplace sólo con piezas de repuesto originales. Las piezas provenientes de otra sopladora de nieve pueden no adaptarse adecuadamente, lo que provocaría una situación de inseguridad.

Cambio de la correa (Fig. 8, 9, 10, 11, 12)

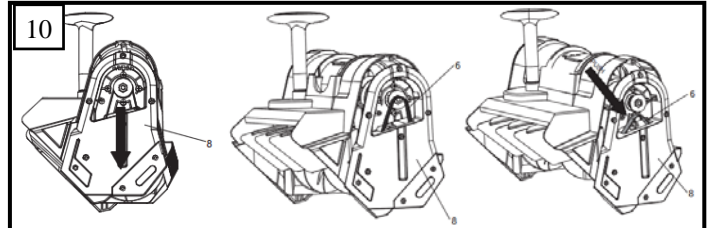
1. Extraiga la placa de fricción (16) y afloje la cubierta lateral izquierda (8) del cuerpo principal. (Fig. 8)



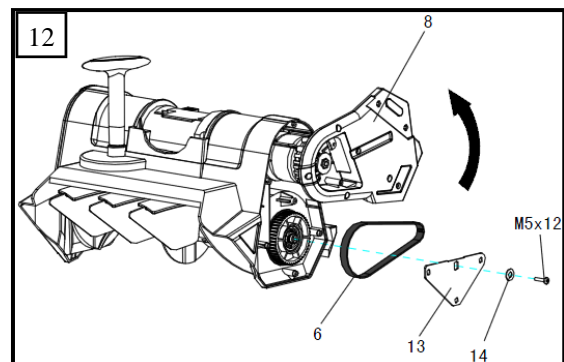
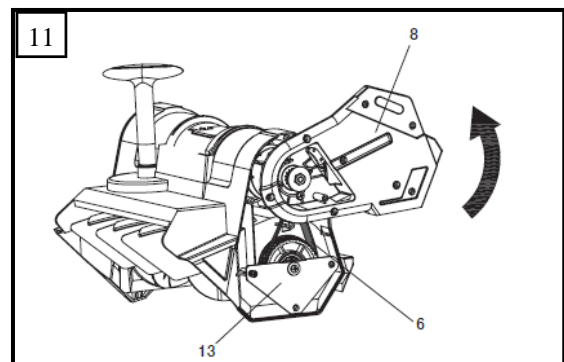
2. Extraiga la placa lateral (11) de la cubierta lateral izquierda (8). (Fig. 9)



3. Deslice la cubierta lateral izquierda (8) hacia abajo para aflojar la correa (6). Extraiga la correa (6) de la rueda y presione hacia abajo por la ranura en la cubierta lateral izquierda (8). (Fig. 10)



4. Gire la cubierta lateral izquierda (8) en sentido contrario a las agujas del reloj para exponer la placa fija (13). Extraiga el perno M5x12, la arandela (14), la placa fija (13) y luego retire la correa (6).



5. Reemplace la correa gastada por una nueva e instale la placa fija (13), la cubierta lateral izquierda (8), la placa lateral (11) y la placa de fricción (16) siguiendo los pasos anteriores en orden inverso.

MANTENIMIENTO Y ALMACENAMIENTO

Barrena (Fig. 8, 13)

PRECAUCIÓN: Inspeccione los sujetadores antes de cada uso. Una barrena floja puede producir una vibración excesiva y dañar la sopladora de nieve.

Para reemplazar la barrena:

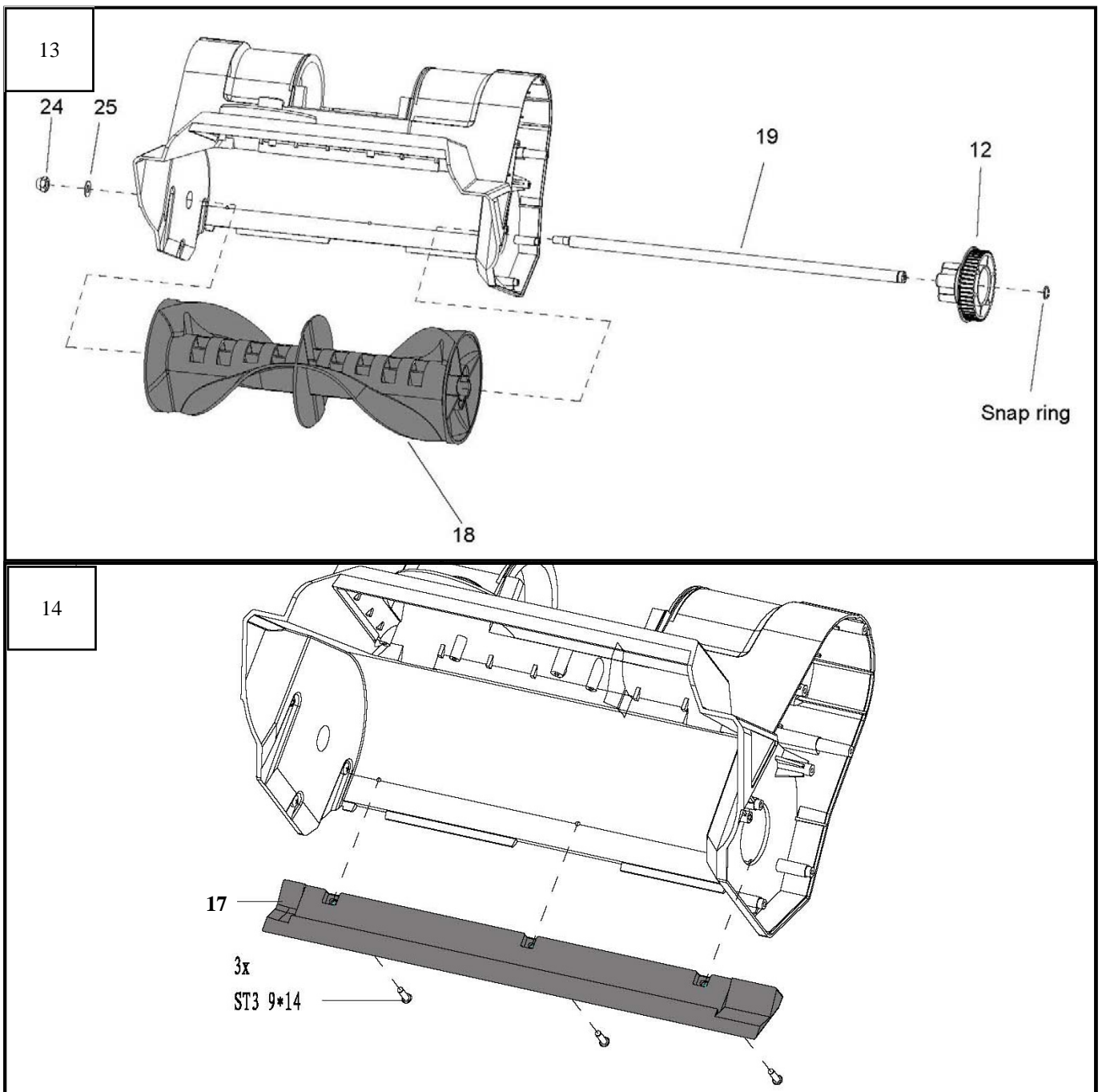
1. Retire la cubierta (8) y la placa de fricción (16). Retire el tornillo (15), la arandela (14), la placa fija (13) y la correa (6).
2. Afloje la tuerca (24) del otro lado de la barrena (18) y desmonte la polea (12) y el eje de la barrena (19).
3. Reemplace la barrena por una nueva.
4. Al volver a ensamblar, asegúrese de que todos los tornillos y las tuercas estén ajustados correctamente.

Cuchilla raspadora (Fig. 11)

La cuchilla raspadora es un elemento de desgaste que se debe reemplazar cuando sea necesario. Una cuchilla raspadora gastada puede producir una vibración extrema y dañar la barrena.

Para reemplazar la cuchilla raspadora:

1. Extraiga los tres tornillos de la parte inferior de la hoja y deslice la cuchilla hacia adelante para quitar.
2. Retire los tres tornillos. Reemplace la cuchilla raspadora por una nueva.
3. Ajuste los tres tornillos.
4. Asegúrese de que los tornillos estén ajustados correctamente.



CARGA DEL PAQUETE DE BATERÍAS

MEDIDOR DE BATERÍA

La batería de la rotocultivador se envía con poca carga, por lo que deberá cargarla antes de utilizarla. La batería tiene 3 luces LED que indican su capacidad. Estas luces se encienden solamente cuando se presiona el botón de la luz indicadora.

Si se encienden las luces VERDES, la batería está cargada y lista para ser usada. Dos luces verdes equivalen al 25 %-80 % de carga. Una luz verde equivale al 5 %-25 % de carga.

Se recomienda cargar el paquete de baterías cuando se enciende una luz.

CARGA DEL PAQUETE DE BATERÍAS

La rotocultivador se proporciona con batería de 40 voltios selladas que no requieren mantenimiento.

- Extraiga la llave de seguridad de la rotocultivador y guárdela en un lugar seguro, fuera del alcance de los niños.
- Cargue el paquete de baterías únicamente con el cargador provisto.
- Deje la batería cargando durante al menos dos horas antes de usar la rotocultivador por primera vez.
- Asegúrese de que el voltaje del suministro eléctrico sea el doméstico normal: **120 voltios, 60 Hz, CA únicamente.**
- La batería debe cargarse en un lugar fresco y seco.
- Para mejorar la vida útil de la batería, guárdela en un lugar cerrado y a temperatura controlada. **Cargue el paquete de baterías completamente cada 3 meses.**
- Debido a que la batería no tiene ningún efecto memoria, no es necesario que esté totalmente descargada para volver a cargarla.
- Es posible que se necesiten de dos a tres ciclos de carga/descarga iniciales para obtener la máxima capacidad o tiempo de funcionamiento.
- Cuando la batería está cargada por completo, se puede guardar de forma segura en temperaturas de hasta $-20\text{ }^{\circ}\text{C}$ ($-4\text{ }^{\circ}\text{F}$) durante un período de hasta un mes antes de que requiera una nueva carga. **Cargue el paquete de baterías completamente cada 3 meses.**
- El cargador de baterías debe usarse en temperaturas que oscilan entre los $0\text{ }^{\circ}\text{C}$ y $37,8\text{ }^{\circ}\text{C}$ ($32\text{ }^{\circ}\text{F}$ y $100\text{ }^{\circ}\text{F}$).

PROCEDIMIENTO DE CARGA

Inserte el enchufe del cargador de 120 voltios en el receptáculo de la pared. Se iluminará la luz A y permanecerá verde.

(Fig. 12)

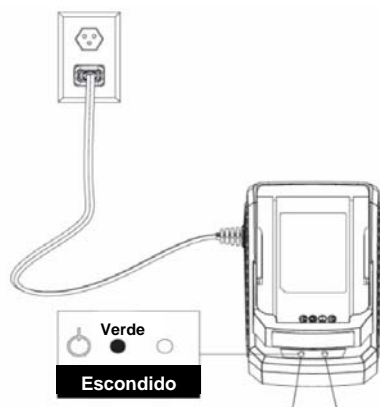
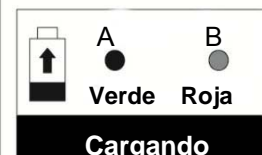
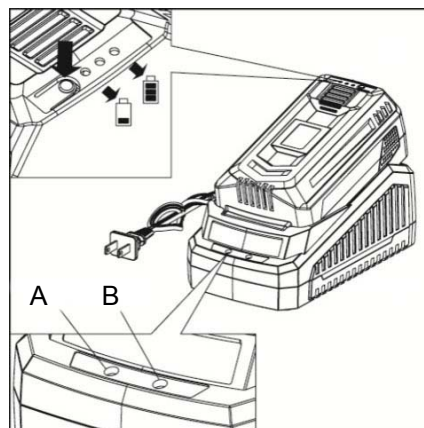


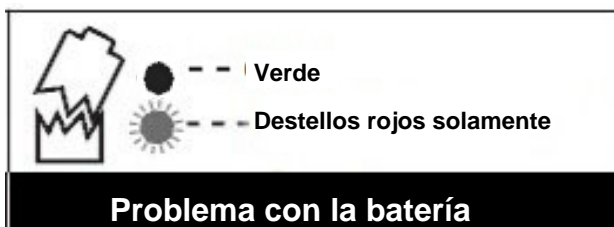
Fig. 12

- Para colocar el paquete de baterías en el cargador, deslícelo hasta que esté trabado en posición, como se muestra en la figura 13. La luz B se iluminará en rojo para indicar que la batería se está cargando y las tres luces del paquete de baterías alternarán en verde.
- Cuando el paquete de baterías esté completamente cargado, la luz B se volverá verde y las luces del paquete de baterías se apagarán. (Fig 13)

NOTA: Tiempo promedio requerido para alcanzar una carga completa: 2.5 horas.



NOTA: Si la luz A permanece verde mientras la luz B destella alternadamente en rojo y verde, estaría indicando una irregularidad en la temperatura. (el paquete de baterías está demasiado caliente o demasiado frío). Si solamente destella una luz roja, esto indica que hay un problema con la batería. Comuníquese con el centro de atención al cliente de Earthwise al 1-800-313-5111 para obtener asistencia.



Si la luz B indicadora de carga destella alternadamente en rojo y verde, o si directamente no se enciende, corrobore que el paquete de baterías esté bien asentado en el compartimento. Retire el paquete y vuelva a colocarlo. Si el problema persiste, comuníquese con el centro de atención al cliente de Earthwise al 1-800-313-5111 para obtener asistencia.

CARGA DEL PAQUETE DE BATERÍAS

MODO DE SUSPENSIÓN:

Si el botón del indicador de luz se mantiene presionado durante más de 30 segundos, las luces pasarán al modo de suspensión: Cuando se pulsa el botón del indicador de luz, no se iluminan las luces (Esto puede ocurrir ocasionalmente durante el transporte).

Para reactivar las luces LED, coloque la batería en el cargador y cárguela durante uno o dos minutos. El indicador de la batería funcionará normalmente.

ALMACENAMIENTO

Use la sopladora de nieve durante unos minutos para derretir y quitar la nieve de la máquina.

Extraiga el paquete de baterías de la sopladora de nieve.

Verifique bien la sopladora de nieve para detectar si hay piezas gastadas, flojas o dañadas. Revise las conexiones y los tornillos, y ajústelos si es necesario. Para reparar o reemplazar piezas, comuníquese con nuestra línea de ayuda de atención al cliente al 1-800-313-5111.

Guarde la sopladora de nieve junto con el paquete de baterías extraído en un lugar limpio y seco, fuera del alcance de los niños.
Cúbrala con una lona floja para mayor protección.

ELIMINACIÓN DE LA BATERÍA

Extraiga el paquete de baterías de la rotocultivador. Cubra los terminales con una cinta adhesiva resistente. No trate de destruir ni desarmar el paquete de baterías ni de extraer ninguno de sus componentes. Este producto contiene baterías de litio-ion, que se deben reciclar o desechar adecuadamente. Es posible que las leyes locales, estatales o federales prohíban eliminar estas baterías con los desechos comunes.



El sello RBRC que aparece en el paquete de baterías de litio-ion indica que los costos para reciclarlo al término de su vida útil ya han sido pagados por The Great States Corporation/American Lawn Mower Company. Es ilegal arrojar las baterías de litio-ion gastadas en un depósito municipal de residuos sólidos o en la basura. RBRC, en colaboración con The Great States Corporation/American Lawn Mower Company, ofrece una forma fácil y ecológica de reciclar las baterías de litio-ion gastadas. Simplemente comuníquese con un centro de servicio autorizado de Earthwise™, el centro de reciclaje local o llame al 1.800.8.BATTERY para obtener información sobre dónde dejar las baterías gastadas.

SOLUCIÓN DE PROBLEMAS

Problema	Posibles causas	Solución
El motor no arranca	<p>La batería no hace contacto.</p> <p>El botón de bloqueo no está en la posición correcta.</p> <p>La batería no está instalada correctamente.</p> <p>La batería no está cargada.</p>	<p>Verifique que la batería esté bien colocada.</p> <p>Compruebe que el botón de bloqueo se encuentre totalmente hacia adelante antes de accionar el gatillo.</p> <p>Controle la instalación de la batería.</p> <p>Revise los requisitos de carga de la batería.</p>
Resultados no satisfactorios	<p>Correa de transmisión gastada o dañada.</p> <p>Barrena gastada o dañada.</p> <p>Descarga tapada.</p>	<p>Reemplace la correa de transmisión.</p> <p>Reemplace la barrena. Asegúrese de que los tornillos y las tuercas estén ajustados correctamente.</p> <p>Apague la sopladora de nieve, extraiga la batería y limpie la descarga.</p>
Vibraciones inusuales	<p>Correa de transmisión gastada o dañada.</p> <p>Barrena gastada o dañada.</p> <p>Cuchilla raspadora gastada o dañada.</p>	<p>Reemplace la correa de transmisión.</p> <p>Reemplace la barrena. Asegúrese de que los tornillos y las tuercas estén ajustados correctamente.</p> <p>Reemplace la cuchilla raspadora. Asegúrese de que los tornillos estén ajustados correctamente.</p>

SERVICIO TÉCNICO

Ahora que adquirió su sopladora de nieve, si alguna vez necesitara servicio técnico o repuestos, simplemente comuníquese con nosotros al 1-800-313-5111. Asegúrese de proporcionar toda la información pertinente cuando nos llame o visite.

REPUESTOS

Registre su número de serie en el espacio provisto a continuación.

- NOMBRE DEL ARTÍCULO Sopladora de nieve
- NÚMERO DE MODELO SN74016
- NÚMERO DE SERIE _____

LLÁMENOS PRIMERO

LLámenos primero si tiene preguntas sobre el funcionamiento o el mantenimiento de este producto al 1.800.313.5111, de 8:00 a 17:00, hora estándar del este, o envíe un correo electrónico a earthwise@reelin.com.



The Great States Corporation
American Lawn Mower Company
830 Webster Street
Shelbyville, IN 46176
Estados Unidos
www.earthwisetools.com



MANUAL DEL OPERARIO

Sopladora de nieve de 406 mm (16 pulg.) de Litio

Este producto está amparado por patentes de EE. UU. y otras patentes internacionales

Copyright. Todos los derechos reservados.

POLÍTICA DE GARANTÍA

Garantía limitada de dos (2) años para el equipo eléctrico para exteriores Earthwise de 40 voltios.

Earthwise garantiza al propietario original que cada producto nuevo y pieza de repuesto está libre de defectos en el material y la mano de obra, y acepta reparar o reemplazar cualquier producto o pieza defectuosa durante el periodo de garantía según lo establecido anteriormente a partir de la fecha de compra original excepto en las condiciones y circunstancias que se indican a continuación:

La garantía se aplica solo al comprador original al menudeo y no puede transferirse.

La garantía se aplica si el producto está destinado para uso personal, doméstico o familiar. La garantía queda anulada si el producto se usa con fines comerciales, industriales o de alquiler.

La garantía no incluye reparaciones necesarias debido a abuso o negligencia por parte del operador (incluida la sobrecarga del producto que supere la capacidad o inmersión en el agua), o un error al montar, operar, mantener o almacenar el producto de acuerdo con las instrucciones del manual del operador.

Esta garantía no es transferible y solo se aplica a productos vendidos directamente por un distribuidor minorista autorizado. Esta garantía no se aplica a cualquier producto, nuevo o usado, adquirido a través de canales de terceros no autorizados.

CUALQUIER PÉRDIDA ACCIDENTAL, INDIRECTA O RESULTANTE, DAÑO O GASTO QUE PUEDA DERIVAR DE CUALQUIER DEFECTO, FALLA O MALFUNCIONAMIENTO DEL PRODUCTO NO ESTÁ CUBIERTO POR LA GARANTÍA. En algunos estados no se permite la exclusión o limitación sobre la duración de las garantías implícitas, en cuyo caso la limitación anterior no podría aplicarse.

Los productos que se venden dañados o incompletos, que se venden "tal como están" o reacondicionados no están cubiertos por esta garantía.

Los daños o inconvenientes causados por envío, manipulación inadecuada, montaje incorrecto, voltaje o cableado incorrecto, mantenimiento deficiente, modificaciones inadecuadas o el uso de accesorios o dispositivos de sujeción no recomendados específicamente no están cubiertos por esta garantía.

Elementos consumibles que se desgastan con el uso normal cubierto por la garantía.

La garantía no cubre los daños causados por el frío, el calor, la lluvia, la humedad excesiva, ambientes y materiales corrosivos u otros contaminantes.

La garantía no incluye instalación, montaje o ajustes normales tal como se explican en el manual del operador.

Los gastos de entrega del producto al proveedor y los gastos de devolución del producto o las piezas de repuesto al propietario no están cubiertos por esta garantía.

La garantía no cubre el deterioro normal del acabado exterior, que incluye pero no se limita a rayones, abolladuras, cascarillas de pintura o cualquier corrosión o decoloración ocasionada por el calor, limpiadores abrasivos o químicos.

Todos los reclamos de garantía deben estar acompañados por el comprobante de compra, el recibo de compra original con fecha.

The Great States Corporation
American Lawn Mower Company
830 Webster Street
Shelbyville, IN 46176
Estados Unidos
Teléfono: 1-800-313-5111
www.earthwisetools.com

Con el compromiso constante de mejorar la calidad, el fabricante se reserva el derecho de modificar los componentes o diseñar cambios cuando lo considere necesario.



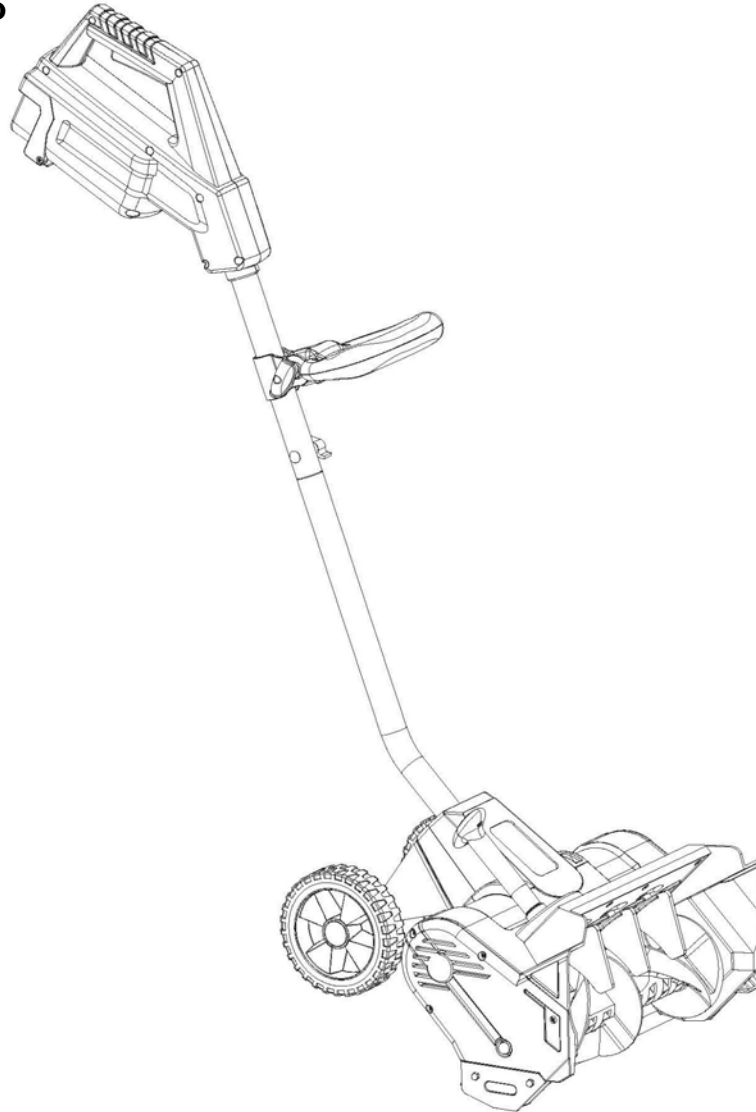
MANUEL DE L'UTILISATEUR

Souffleuse à neige de 16 pouces

Ce produit est protégé par des brevets américains et d'autres brevets internationaux.

Copyright Tous droits réservés.

Modèle n° SN74016



Chargeur conforme à
CA est inclus (Modèle
n° CHL80040)



Intertek
3189723
CONFORMS TO UL
STD No.1090
CERTIFIED TO
CAN/CSA STD C22.2
No.147-15

Ce produit a été conçu et fabriqué selon nos normes élevées de fiabilité, de facilité d'utilisation et de sécurité de l'utilisateur. Correctement entretenu, il vous procurera des années de service intensif et sans souci.



AVERTISSEMENT : afin d'éviter de se blesser, l'utilisateur doit lire et comprendre le manuel de l'utilisateur avant d'utiliser ce produit.

LA BATTERIE DOIT ÊTRE CHARGÉE AVANT LA PREMIÈRE UTILISATION.

Merci pour votre achat.

NE RENVOYEZ PAS CE PRODUIT AU MAGASIN. AVEZ-VOUS DES QUESTIONS CONCERNANT LE FONCTIONNEMENT, L'ASSEMBLAGE, LES PIÈCES OU LA RÉPARATION DU PRODUIT? COMPOSEZ LE 1-800-313-5111 DE 08 h 00 à 17 h 0, HEURE NORMALE DE L'EST, POUR TOUTE ASSISTANCE.

CONSERVEZ CE MANUEL POUR POUVOIR LE CONSULTER ULTÉRIEUREMENT

SYMBOLES

Certains des symboles suivants peuvent apparaître sur ce produit. Examinez-les et apprenez leur signification. Une interprétation correcte des symboles vous permettra d'utiliser ce produit plus efficacement et en meilleure sécurité.



Précautions concernant votre sécurité.



ATTENTION! Lisez le manuel de l'utilisateur, et respectez les notices d'avertissement et les consignes de sécurité.



ATTENTION! Débranchez immédiatement l'appareil si le câble est endommagé ou usé.



ATTENTION! Portez toujours une protection oculaire et auditive.



Portez des chaussures couvertes solides, à semelles antidérapantes.



DANGER! Des objets peuvent être projetés à de grande vitesse lorsque le moteur est en route. Ne pas marcher devant la machine en marche.



Gardez les personnes alentour à une distance de sécurité.



DANGER! Lames rotatives. Gardez les mains et les pièces à une distance sûre.



Ne mettez pas la main dans la vis sans fin.



Ne mettez pas la main devant le déflecteur de la goulotte.



Ne mettez pas les pièces dans la vis sans fin.



DANGER! Risque de décharge électrique.



N'utilisez pas cette machine sous la pluie. N'utilisez pas cette machine pendant les orages électriques.



Les équipements électriques usagés ne doivent pas être éliminés avec les ordures ménagères. Recyclez l'appareil lorsque des installations à cet effet existent. Pour obtenir des conseils de recyclage, renseignez-vous auprès des autorités locales ou de votre vendeur.



AVERTISSEMENTS DE SÉCURITÉ IMPORTANTS



POUR RÉDUIRE LE RISQUE DE BLESSURE : avant toute utilisation, assurez-vous que toute personne utilisant ce produit a lu et compris toutes les consignes de sécurité et les autres renseignements contenus dans ce manuel.



ATTENTION : portez des protections auditives appropriées pendant l'utilisation. Dans certaines conditions, ou en cas d'utilisation prolongée, le bruit émis par ce produit peut contribuer à une perte auditive.



Conservez ces instructions et relisez-les souvent avant d'utiliser le produit et lorsque vous apprenez son emploi à d'autres personnes.

AVERTISSEMENT : lorsque vous utilisez un appareil électrique, vous devez toujours respecter des consignes de sécurité de base afin de réduire le risque d'incendie, de décharge électrique et de blessures, notamment :

LIRE TOUTES LES INSTRUCTIONS

SÉCURITÉ GÉNÉRALE

VÉRIFIER LES PIÈCES ENDOMMAGÉES – Avant de poursuivre l'utilisation du produit, toute pièce endommagée doit être vérifiée scrupuleusement afin de déterminer qu'elle fonctionnera correctement et remplira sa fonction prévue. Vérifiez l'alignement des pièces mobiles, si ces dernières sont coincées, si certaines pièces sont cassées, la qualité du montage et toute autre condition pouvant affecter le fonctionnement de l'outil. Toute pièce endommagée doit être correctement réparée ou remplacée. Appelez notre service clientèle au 1-800-313-5111 pour assistance.

ÉVITER LES ENVIRONNEMENTS DANGEREUX – N'utilisez pas ce produit sous la pluie ou par temps orageux. N'utilisez pas l'appareil dans les atmosphères gazeuses ou explosives. Le moteur de ce produit émet normalement des étincelles capables d'enflammer les vapeurs chimiques.

GARDER HORS DE PORTÉE DES ENFANTS – Tous les visiteurs, enfants et animaux domestiques doivent se tenir au-delà du périmètre de sécurité de la zone de travail.

S'HABILLER DE FAÇON APPROPRIÉE – Ne portez ni vêtements amples ni bijoux et portez une protection des cheveux pour contenir les cheveux longs. Ceux-ci risquent d'être happés par des pièces en mouvement.

Porter des bottes en caoutchouc lors de l'utilisation de la souffleuse à neige. Ne vous tenez pas en déséquilibre, en particulier sur les pentes.

PORTER DES LUNETTES DE SÉCURITÉ – Lors de l'utilisation de ce produit, portez des lunettes de sécurité avec des écrans latéraux, marquées à la norme ANSI Z87.1.



AVERTISSEMENT : Tenir les mains éloignées des pièces mobiles. N'approchez jamais les mains de la vis sans fin pour en retirer de la neige, des brindilles ou d'autres débris. Une vis sans fin bloquée peut se débloquent brusquement et provoquer des blessures personnelles même si la souffleuse est arrêtée. Servez-vous toujours d'un bâton, une poignée de balai par ex., pour dégager les obstructions.

RETIRER LA BATTERIE DE LA SOUFFLEUSE À NEIGE quand il n'est pas utilisé ou lors de l'entretien ou du nettoyage. Ne le laissez pas sans surveillance.

UTILISER LE BON OUTIL – N'utilisez pas ce produit pour une tâche à laquelle il n'est pas destiné.

Évitez les démarrages accidentels : ne pas transporter la souffleuse à neige avec le doigt sur le contacteur lorsque la batterie est installée. Assurez-vous que le contacteur est sur arrêt avant d'installer la batterie.

Ne pas forcer la souffleuse à neige : elle fonctionne mieux et de façon plus sûre à la vitesse pour laquelle elle a été conçue.

NE PAS ESSAYER D'ATTEINDRE TROP LOIN – Guidez la souffleuse à un rythme de marche à pied seulement. Gardez toujours les pieds fermement sur le sol, et ne vous tenez pas en déséquilibre.

ÉCLAIRAGE - N'utilisez la souffleuse à neige qu'à la lumière du jour ou sous un bon éclairage artificiel.

RANGER L'APPAREIL INUTILISÉ À L'INTÉRIEUR – Lorsqu'elle n'est pas utilisée, la souffleuse à neige doit être rangée à l'intérieur dans un local sec, hors de portée des enfants.

ENTREtenir L'APPAREIL AVEC SOIN – Maintenez-le propre pour un rendement optimal et pour réduire le risque de blessure. Inspectez régulièrement la rallonge et remplacez-la si elle est endommagée. Gardez les poignées sèches, propres et exemptes d'huile et de graisse.

N'utilisez pas la souffleuse à neige sur une pente trop raide pour un fonctionnement sans danger. Sur une pente, ralentissez et tenez-vous de façon à ne pas perdre l'équilibre.

Avant de démarrer la souffleuse à neige, assurez-vous que la vis sans fin ne touche aucun objet et qu'elle est libre de tourner.

Ne pas utiliser sur une surface de gravier à moins que la souffleuse à neige ne soit ajustée pour une telle surface selon les instructions du manuel de l'utilisateur.

L'utilisation de la souffleuse à neige en position manuelle est dangereuse à moins de respecter les instructions spéciales du manuel de l'utilisateur.



ATTENTION : ne projetez pas de neige vers les passants, animaux ou voitures et ne laissez personne passer devant la souffleuse lorsqu'elle est en marche.

Des objets susceptibles d'obstruer la souffleuse ou de provoquer d'autres dégâts peuvent être cachés dans la neige. Avant emploi, enlevez tout paillason, luge, planches, fils électriques et autres débris de la zone.

Si la vis sans fin frappe un objet étranger, inspectez-la pour vérifier qu'elle n'est pas endommagée. Faites toute réparation nécessaire avant de redémarrer la souffleuse et de reprendre le déneigement.

RESTER VIGILANT – Regardez ce que vous faites. Faites preuve de bon sens. N'utilisez pas la souffleuse à neige si vous êtes fatigué ou sous l'influence de médicaments, de drogues ou d'alcool.

SÉCURITÉ GÉNÉRALE

Si la souffleuse se met à vibrer de façon anormale, éteignez-la immédiatement et recherchez la cause des vibrations. La présence de vibrations est généralement un signe de problème.

Éteignez toujours la souffleuse à neige, retirez la batterie et attendez que la vis sans fin se soit complètement arrêtée avant d'effectuer des travaux d'entretien ou des réparations.



ATTENTION : la vis sans fin ne s'arrête pas

immédiatement après l'extinction de la souffleuse.



ATTENTION : risque de blessures. N'approchez jamais les mains, les pieds ou d'autres parties du corps et des vêtements de la vis sans fin en rotation.



AVERTISSEMENT : Proposition 65 de la Californie : Ce produit contient des agents chimiques connus dans l'État de la Californie pour causer le cancer et des malformations congénitales ou autres appareil reproducteur.

RÈGLES DE SÉCURITÉ CONCERNANT LE CHARGEUR

N'utilisez pas incorrectement le cordon. N'utilisez jamais le cordon pour transporter, tirer ou débrancher l'outil électrique. Conservez le cordon loin de la chaleur, de l'huile, de bords tranchants ou de pièces en mouvement. Des cordons endommagés ou entremêlés augmentent le risque de chocs électriques.

L'utilisation d'un accessoire non recommandé ou vendu par le fabricant du chargeur de batterie peut entraîner un risque d'incendie, de chocs électriques ou de blessures. Respecter cette règle réduira les risques de chocs électriques, d'un incendie ou de blessures graves.

Ne faites pas l'entretien de la tondeuse avec la batterie, la clé de contact installé.

N'utilisez pas le chargeur lorsque la température ambiante est au-dessus de 37,8 °C (100 °F) ou en-dessous de 0 °C (32 °F).

N'utilisez pas le chargeur avec un cordon ou une prise endommagée, cela pourrait provoquer un court-circuit et un choc électrique. Si le chargeur est endommagé, remplacez-le avec un chargeur identique d'un fournisseur d'entretien autorisé.

N'utilisez pas le chargeur s'il a reçu un choc violent, s'il est tombé ou a été endommagé de toute autre manière. Amenez-le à un centre d'entretien autorisé pour une vérification électrique afin de déterminer s'il est en bon état de marche ou non.

Débranchez le chargeur de la prise murale avant son entretien ou son nettoyage pour réduire les risques d'un choc électrique.

Déconnectez le chargeur de l'alimentation quand il n'est pas utilisé afin d'éviter de l'endommager en cas de surtensions.

Risque de chocs électriques. Ne touchez pas à la partie non isolée du connecteur de sortie ou à la borne non isolée de la batterie.

N'exposez pas le chargeur à un environnement humide. Toute eau entrant dans le chargeur augmentera les risques d'un choc électrique.

Assurez-vous que le cordon soit situé de manière à ce que personne ne marche ou ne trébuche dessus et qu'il ne subisse aucun dommage ou contrainte. Cela réduira les risques d'une chute accidentelle, qui pourrait provoquer des blessures, en plus d'endommager le cordon, ce qui pourrait entraîner un choc électrique.

Conservez le cordon et le chargeur loin de la chaleur pour empêcher les dommages au bâti ou aux pièces internes.

Ne permettez pas à l'essence, aux huiles, aux produits à base de pétrole d'entrer en contact avec les pièces de plastique. Ces substances contiennent des produits chimiques pouvant endommager, affaiblir ou détruire le plastique.

N'utilisez pas de rallonge, sauf si cela est absolument nécessaire. L'utilisation d'une rallonge inadéquate peut entraîner un risque d'incendie et de choc électrique. Si une rallonge doit être utilisée, assurez-vous :

- Que les fiches de la prise de la rallonge aient les mêmes numéros, taille et forme que celles de la prise du chargeur;
- Que la rallonge soit correctement câblée et en bon état; et
- Que le calibre du fil soit suffisant pour l'intensité nominale en CA du chargeur, telle qu'indiquée ci-dessous :

Longueur du cordon (en pieds) 25' 50' 100'

Calibre du cordon (AWG) 16 16 16

REMARQUE : AWG = American Wire Gauge
(calibre américain)

Conservez ces instructions. Consultez-les fréquemment et utilisez-les pour former autrui à l'utilisation de cet appareil. Si vous prêtez cette griffe à quelqu'un, prêtez-lui également ces instructions.



AVERTISSEMENT : Maintenez toutes les connexions sèches et au-dessus du sol. Ne touchez pas la fiche avec des mains mouillées.



AVERTISSEMENTS FCC:

Veillez prendre note que des changements ou modifications à ce produit non expressément approuvés par le tiers responsable de la conformité peut annuler le droit de l'utilisateur à utiliser le produit.

REMARQUE : Cet équipement a été testé et trouvé conforme avec les limites d'un dispositif numérique de Classe B, suivant les règles de la Partie 15 du FCC. Ces limites existent pour offrir une protection raisonnable contre les interférences nuisibles lors d'une installation résidentielle. Cet équipement génère, utilise et peut émettre de l'énergie de radiofréquences et, s'il n'est pas installé et utilisé selon les présentes instructions, peut provoquer des interférences nuisibles aux communications radio. Il n'existe cependant aucune garantie que des interférences ne vont pas se produire lors d'une installation en particulier. Si cet équipement produit des interférences nuisibles à la réception radio ou télévision, qui peuvent être déterminées en allumant et en éteignant l'appareil, l'utilisateur est encouragé à essayer de corriger les interférences grâce à l'une ou plusieurs des mesures suivantes :

- Réorienter ou déplacer l'antenne réceptrice.
- Augmenter la distance entre l'équipement et le récepteur.
- Brancher l'équipement sur une prise d'un circuit autre que celui auquel le récepteur est branché.
- Consulter le ou un technicien radio/télévision professionnel pour de l'aide.

CARACTÉRISTIQUES TECHNIQUES DU PRODUIT

Modèle : SN74016

Entrée :	40V, CC uniquement	Rayon de balayage :	406 mm
Batterie :	40V, 4Ah Lithium-ion	Profondeur de déneigement maximale :	200 mm
Temps de charge:	2,5 heures	Distance de projection :	Jusqu'à 9,75 m
Durée de la batterie:	25-40 minutes	Capacité de déneigement :	136 kg/min
Vitesse au ralenti :	2 000 tours/min	Poids :	8.8 kg

LISTE DU CONTENU

DÉBALLAGE

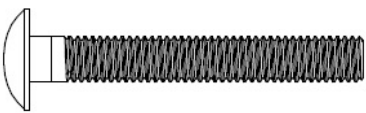


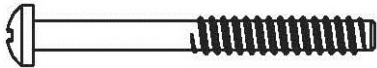
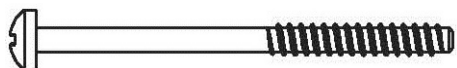

Ce produit requiert un assemblage.

Enlevez avec précaution le produit du carton. Assurez-vous que tous les éléments figurant dans la liste du contenu sont inclus.

Inspectez soigneusement le produit pour vous assurer qu'aucune casse ou endommagement ne s'est produit pendant le transport.

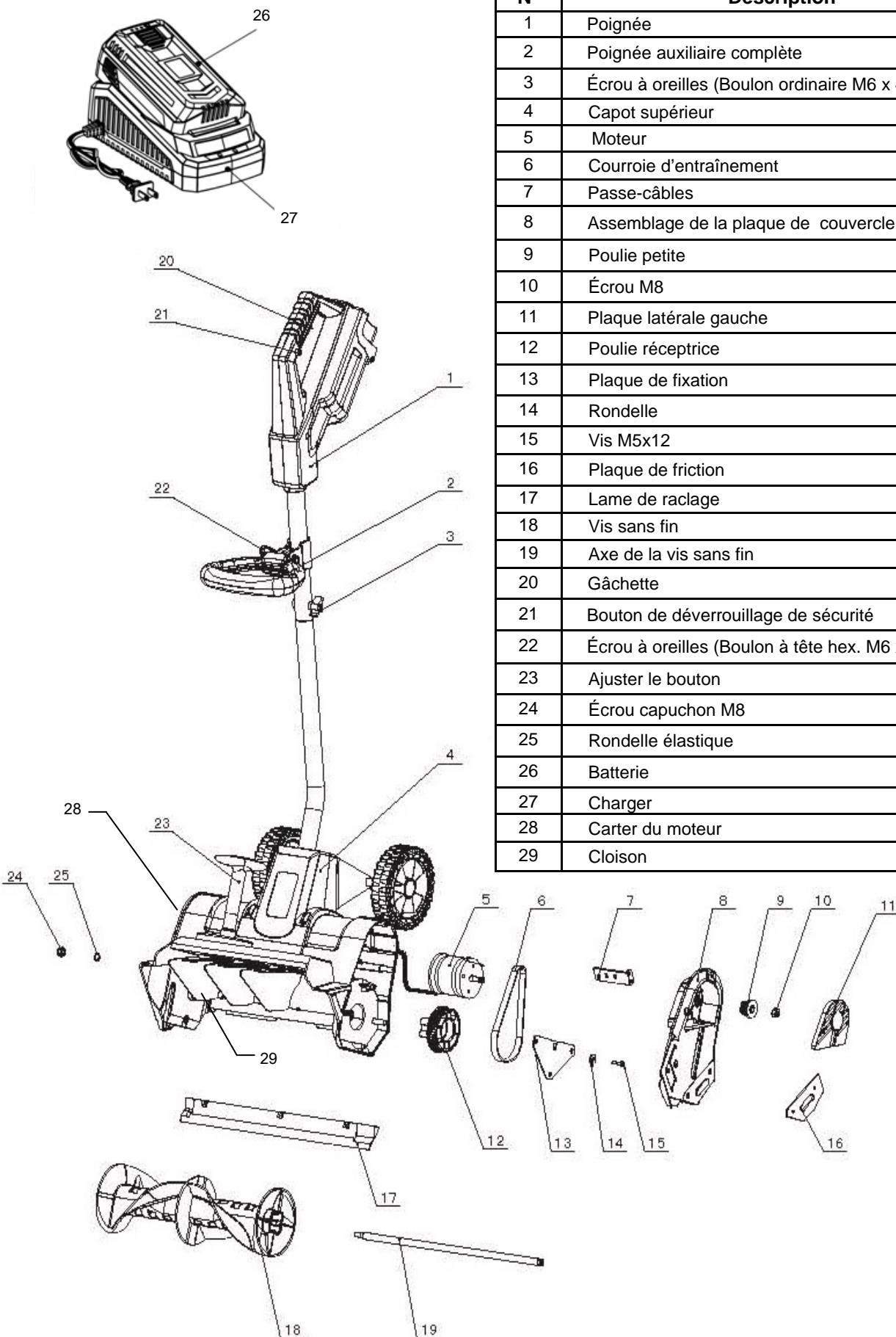
Ne jetez pas le matériau d'emballage tant que vous n'avez pas soigneusement inspecté et utilisé le produit de façon satisfaisante.

Si des pièces sont endommagées ou manquantes, veuillez appeler le 1-800-313-5111 pour assistance.

LISTE DU CONTENU	
1	Souffleuse à neige
1	Poignée inférieure et supérieure
1	Boulon ordinaire & écrou à oreilles (6x45) 
4	Philips tête vis autotaraudeuse (4.2x30) 
1	Ajuster le bouton
1	Philips tête vis autotaraudeuse (4.0x50) 
1	Capuchon du bouton de réglage
1	Support de roue
2	Roue
2	Enjoliveur de roue
2	Philips tête vis autotaraudeuse (3.9x45) 
2	Philips tête vis autotaraudeuse (3.9x55) 
1	Poignée auxiliaire
1	Tête hexagonale boulon & écrou à oreilles (6x50) 
1	Manuel de l'utilisateur

LISTE DES PIÈCES

N°	Description	Qté
1	Poignée	1
2	Poignée auxiliaire complète	1
3	Écrou à oreilles (Boulon ordinaire M6 x 45)	1
4	Capot supérieur	1
5	Moteur	1
6	Courroie d'entraînement	1
7	Passe-câbles	1
8	Assemblage de la plaque de couvercle gauche	1
9	Poulie petite	1
10	Écrou M8	1
11	Plaque latérale gauche	3
12	Poulie réceptrice	1
13	Plaque de fixation	1
14	Rondelle	4
15	Vis M5x12	1
16	Plaque de friction	1
17	Lame de raclage	1
18	Vis sans fin	1
19	Axe de la vis sans fin	1
20	Gâchette	1
21	Bouton de déverrouillage de sécurité	1
22	Écrou à oreilles (Boulon à tête hex. M6 x 50)	1
23	Ajuster le bouton	1
24	Écrou capuchon M8	2
25	Rondelle élastique	1
26	Batterie	1
27	Charger	1
28	Carter du moteur	1
29	Cloison	3

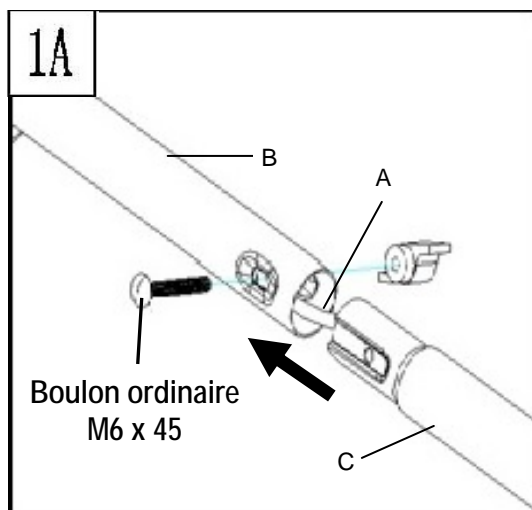


ASSEMBLAGE

Ce produit doit être correctement assemblé avant emploi.

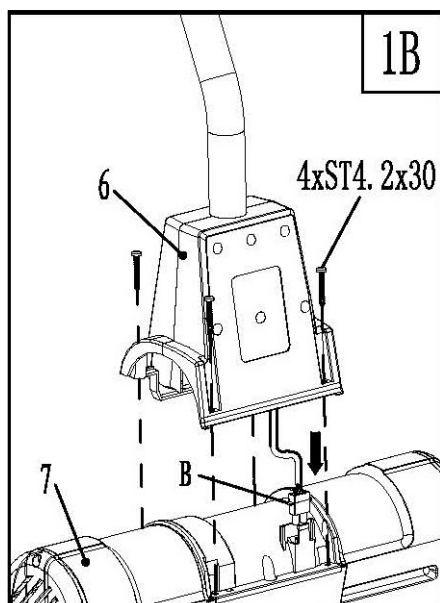
Poignée (Fig. 1A)

Faire glisser la partie inférieure (C) dans la partie supérieure (B). Alignez les trous des tubes et vérifiez que le cordon (A) n'est pas pris dans les trous de montage. Assemblez les deux parties de tube avec la boulon ordinaire et écrou à oreilles M6x45.



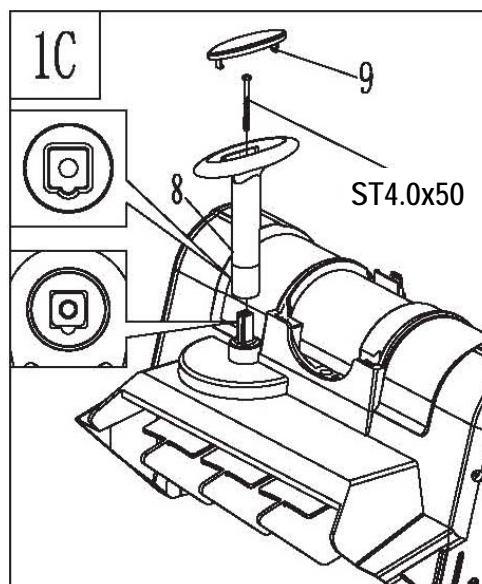
Carter du moteur (Fig. 1B)

Enlever la protection de la prise et branchez la prise (B) dans la fiche du carter moteur (7). Fixez le capot supérieur sur le carter moteur à l'aide des tête Philips vis autotaraudeuses ST4.2 x 30.



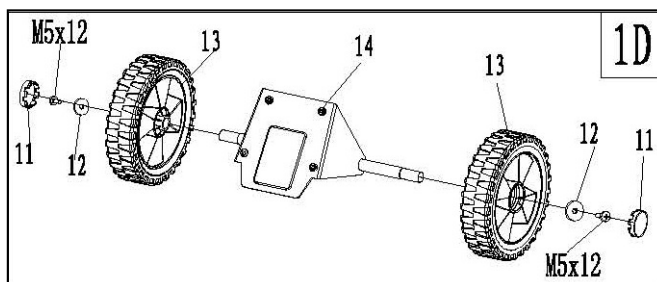
Ajuster le bouton (Fig. 1C)

Aligner la nervure sur le pivot avec l'encoche sur le bouton de réglage et poussez la mollette d'ajustement sur l'axe. Fixez avec l'une des vis fournies ST4.0 x 50. Placez le capuchon du bouton de réglage sur le dessus et poussez pour le fixer correctement.



Roue (Fig. 1D)

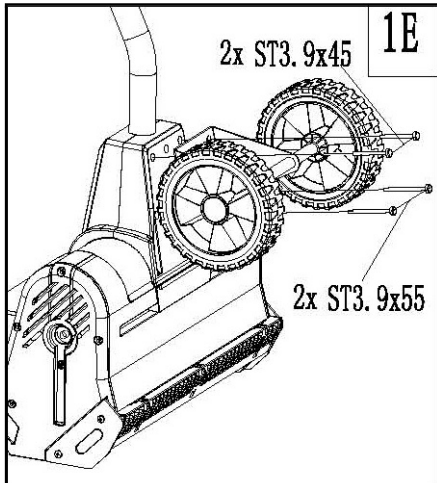
Enlevez les vis et les rondelles du support de roue. Installez les roues (13) et fixez-les à l'aide des rondelles et des vis M5 x 12 fournies. Appuyez sur les enjoliveurs de roue pour les mettre en place.



ASSEMBLAGE

Support de roue (Fig. 1E)

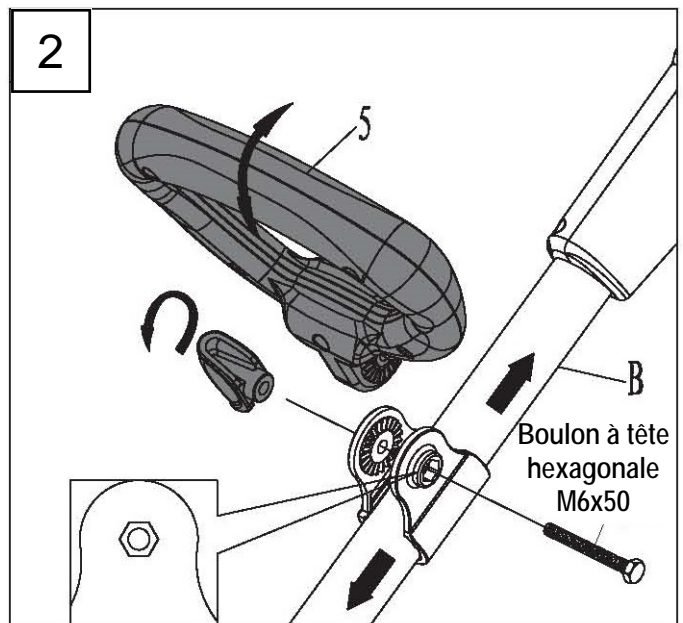
Alignez les trous du support de roue avec les trous du capot supérieur. Fixer en place avec Philips tête vis autotaraudeuse ST3.9x45 dans les deux trous supérieurs et Philips tête vis autotaraudeuse ST3.9x55 dans les deux trous.



Poignée auxiliaire (Fig. 2)

Placez la poignée auxiliaire de façon à ce que les trous soient alignés avec ceux du support de poignée. Enfoncez le boulon à tête hexagonale M6X50 dans le trou hexagonal du support. Fixez en serrant le bouton d'assemblage sur le boulon.

Desserrez le boulon et soulevez la poignée pour la mettre à sa position de fonctionnement. Réglez la poignée à une hauteur confortable et sans danger. Fixez avec le boulon.

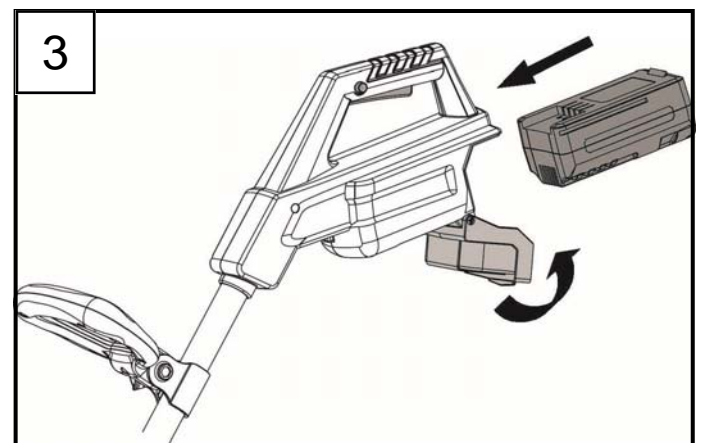


UTILISATION

Cette souffleuse à neige est destinée à balayer la neige des trottoirs, marches, patios, porches et autres surfaces planes en dur, telles que les allées pavées. Utilisez-la uniquement sur des surfaces planes en dur, sans sable, pierres et débris, fils électriques ou autres objets. Le fabricant n'est pas responsable des dégâts ou blessures entraînés par une mauvaise utilisation.

Installation de la batterie

Ouvrez le couvercle du compartiment de la batterie et insérez la batterie jusqu'à ce qu'elle s'enclenche en position. Puis, fermez le couvercle du compartiment de la batterie (Fig. 3)



UTILISATION

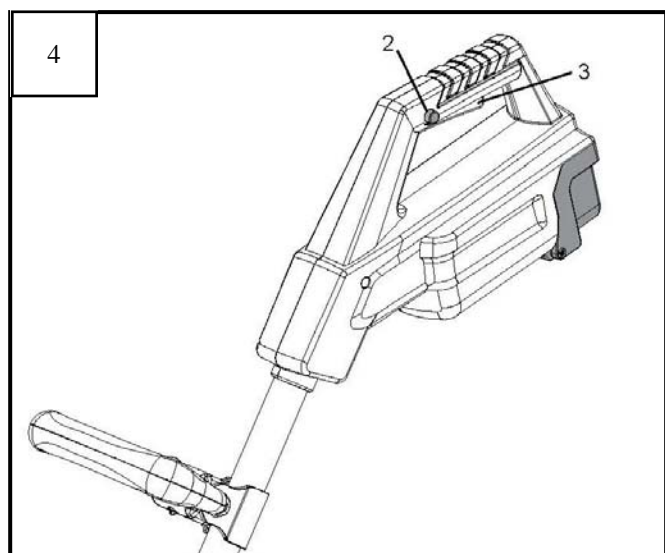
Interrupteur déclencheur (Fig. 4)

AVERTISSEMENT : la vis sans fin commence à tourner immédiatement après l'allumage de la souffleuse. Tenez les mains et les pieds éloignés de la vis sans fin.

Pour allumer la souffleuse, tenez-la fermement des deux mains, assurez-vous que la vis sans fin n'est en contact avec aucune surface, puis appuyez sur le bouton de déverrouillage de sécurité (2) tout en appuyant sur l'interrupteur de déclenchement (3).

Une fois la souffleuse démarrée, vous pouvez arrêter d'appuyer sur le bouton de déverrouillage de sécurité.

Pour éteindre la souffleuse, relâchez simplement la pression sur l'interrupteur de déclenchement.



Retrait de la neige

Avant de commencer votre travail, vérifiez que la zone ne comprend pas de pierres, de débris, de fils électriques ou autres objets.

Vérifiez que toutes les pièces de fixation de la souffleuse (vis, écrous, etc.) sont bien serrées.

Vérifiez régulièrement le bon état de la vis sans fin.

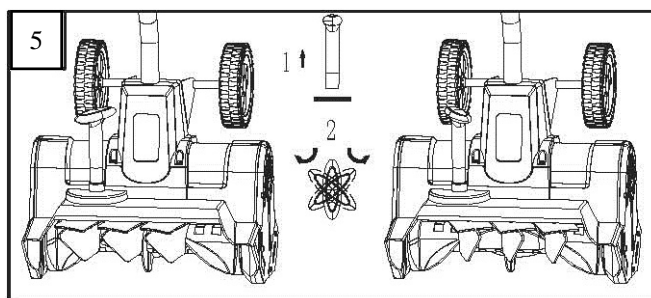
Placez la souffleuse de façon à ce que la neige soit projetée dans une direction ne présentant pas de danger, loin de l'utilisateur et des personnes à proximité.

Nettoyez la neige souvent, avant qu'elle ne devienne trop profonde. Il est préférable de déneiger dès que possible après la fin de la chute de neige.

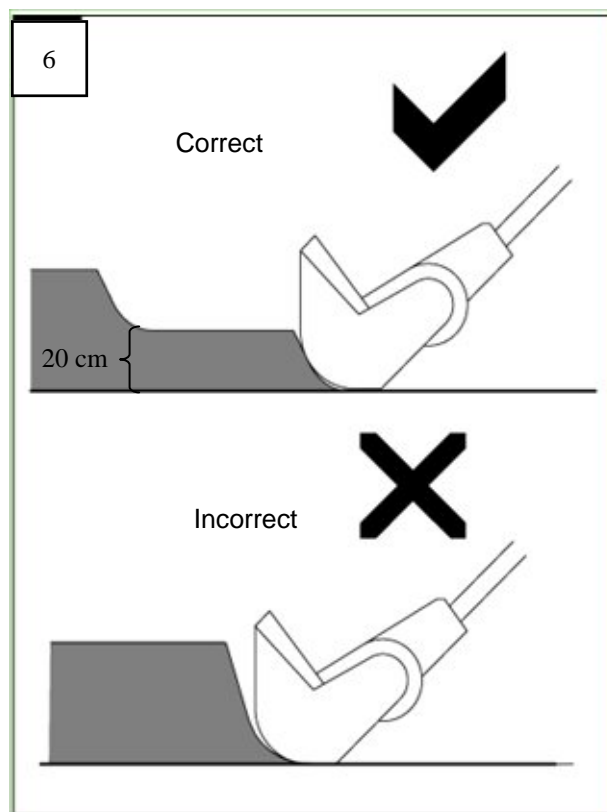
Soulevez légèrement la vis sans fin avant de démarrer la souffleuse.

Allumez la souffleuse et penchez-la vers l'avant jusqu'à ce que la lame de raclage touche le sol. Poussez la souffleuse vers l'avant à une vitesse confortable, assez lente pour dégager entièrement le chemin. La largeur et la profondeur de la neige détermine la vitesse à laquelle vous avancez.

Tirez et tournez la molette de réglage pour diriger la neige vers la droite ou vers la gauche. Pour plus d'efficacité, travaillez dans le sens du vent et superposez légèrement chaque passage. (Fig. 5)



La souffleuse à neige peut déneiger jusqu'à 20 cm (8 po) de profondeur à chaque passage. Lorsque vous nettoyez des amoncellements de neige plus profonds, tenez la souffleuse à la fois par la poignée supérieure et par la poignée inférieure. Suivez un mouvement de balancement ou de balayage. Nettoyez la couche supérieure et faites de multiples passages (Fig. 6).



UTILISATION


Lorsque vous déneigez sur une grande surface, vous devez suivre un trajet particulier pour dégager complètement la neige. Les trajets suggérés permettent d'éviter de projeter de la neige dans les endroits non voulus et d'avoir à repasser une seconde fois (fig. 6).

Trajet A : projetez la neige vers la droite ou vers la gauche, selon ce qui est possible. Dans les endroits comme une allée assez longue, il est plus avantageux de commencer au milieu. Dégagez un passage du début à la fin, en projetant la neige des deux côtés.

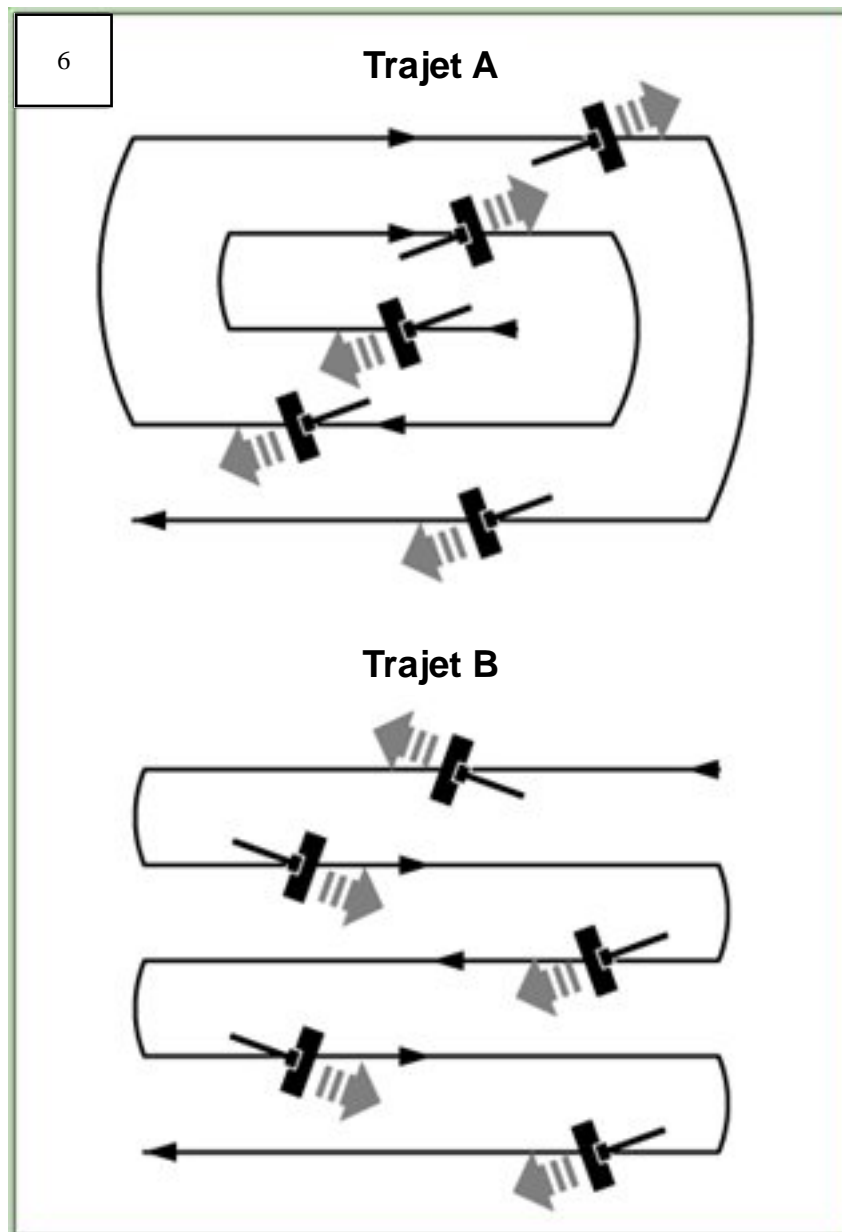
Trajet B : si la neige ne peut être projetée que d'un côté, commencez par l'autre côté.

Raclar la neige jusqu'au trottoir usera prématurément le racler et la vis sans fin. Afin de protéger ces pièces, laissez 2 ou 5 cm de neige sur le sol et finissez le déneigement avec du sel déglacant ou une pelle.

Après avoir nettoyé la neige, laissez la souffleuse à neige pendant quelques minutes pour empêcher la formation de glace sur les pièces mobiles. Puis éteignez le moteur, attendez que toutes les pièces en mouvement s'arrêtent, retirez la batterie, et essuyez la glace et la neige de la souffleuse avec un chiffon propre.

 **AVERTISSEMENT** : pour éviter des blessures graves, ne dégagez pas la goulotte avec les mains ou les pieds.

Votre souffleuse à neige alimentée par une batterie au lithium est équipée d'une protection contre les surintensités. Lorsque l'intensité atteint un certain niveau préalablement déterminé, l'appareil s'arrête automatiquement jusqu'à ce que l'intensité baisse. La souffleuse à neige reprend son fonctionnement normal quand l'intensité atteint un niveau sûr.



ENTRETIEN ET RANGEMENT

Avant d'effectuer des travaux d'entretien, retirer la batterie.

Un entretien et un nettoyage réguliers de votre souffleuse à neige maintiendront son efficacité et prolongeront sa durée de service.

Après chaque emploi, démontez la machine et nettoyez la glace et les débris du ventilateur et de ses éventails, de la vis sans fin et du carter.

Utilisez uniquement un chiffon imbibé d'eau chaude et une brosse à poils doux. **Ne mouillez pas la machine et ne la lavez jamais au jet!**

N'utilisez pas de détergents ou de solvants, car ils pourraient provoquer des dommages irréparables sur la souffleuse à neige. Les produits chimiques risquent en effet de détériorer les pièces en plastique.

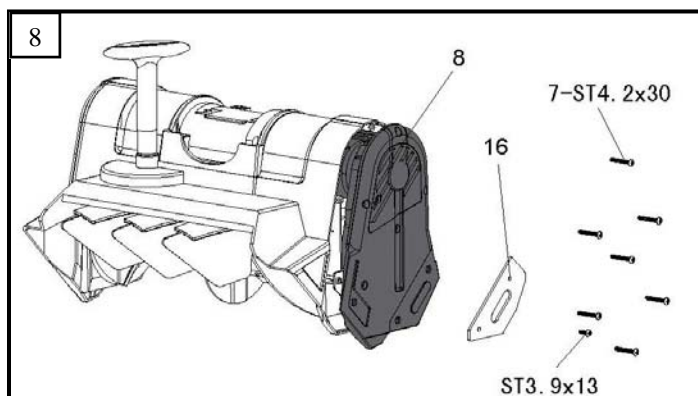
Pour protéger la souffleuse à neige de la corrosion lorsqu'elle est rangée pendant de longues périodes, huilez légèrement les pièces métalliques.

Conservez la souffleuse dans un local sec, hors de la portée des enfants.

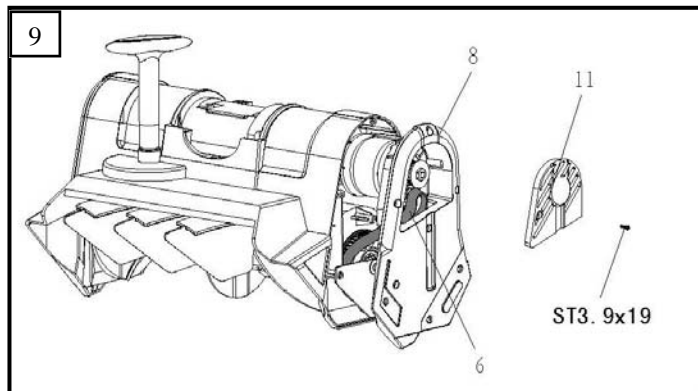
Pour la sécurité de l'utilisateur, remplacez les pièces usées ou endommagées. Remplacez-les par des pièces d'origine uniquement. Les pièces d'autres souffleuses à neige peuvent ne pas correspondre exactement et risquent de créer une situation dangereuse.

Remplacement de la courroie (fig. 8, 9, 10, 11, et 12)

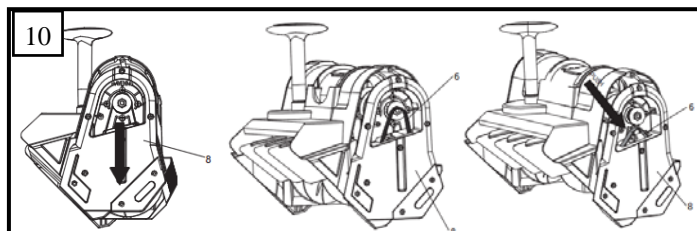
1. Retirez la plaque de friction (16) et desserrez le couvercle latéral gauche (8) de la partie principale. (Fig. 8)



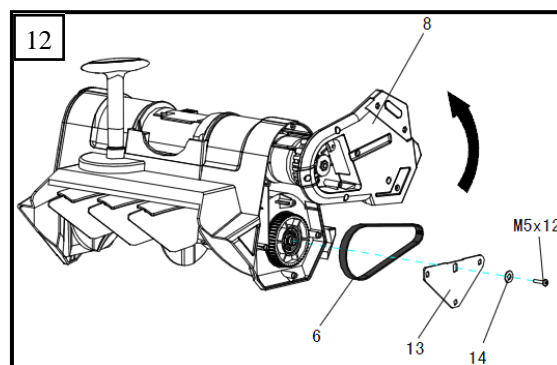
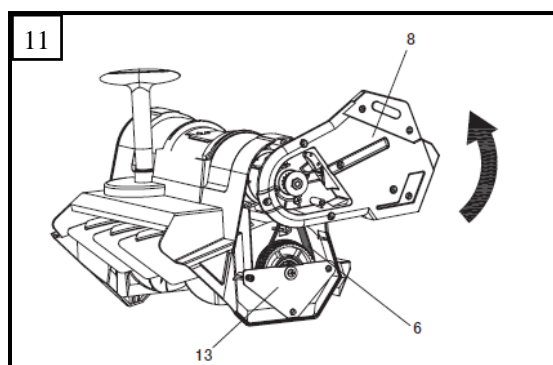
2. Retirez la plaque latérale (11) du couvercle latéral gauche (8). (Fig. 9)



3. Abaissez le couvercle latéral gauche (8) pour desserrer la courroie (6). Retirez la courroie (6) de l'engrenage et l'abaissez à travers la fente dans le couvercle latéral gauche (8). (Fig. 10)



4. Tournez le couvercle latéral gauche (8) dans le sens antihoraire pour dévoiler la plaque de fixation (13). Retirez le boulon M5 X 12, la rondelle (14), la plaque de fixation (13), puis la courroie (6).



5. Remplacez la courroie usée par une nouvelle et remettez en place la plaque de fixation (13), le couvercle latéral gauche, la plaque latérale et la plaque de friction en suivant les étapes ci-dessus dans l'ordre inverse.

ENTRETIEN ET RANGEMENT

Vis sans fin (fig. 8, 13)

ATTENTION Vérifiez les pièces de fixation avant chaque emploi. Une vis sans fin mal serrée risque d'entraîner des vibrations excessives et d'endommager la souffleuse à neige.

Remplacement de la vis sans fin :

1. Enlevez le couvercle (8) et la plaque de friction (16). Retirez le boulon (15), la rondelle (14), la plaque de fixation (13), et la courroie d'entraînement (6).
2. Desserrez l'écrou (24) situé de l'autre côté de la vis sans fin (18) et démontez la poulie (12) et l'axe de la vis sans fin (19).
3. Remplacez la vis sans fin usée par la vis neuve.

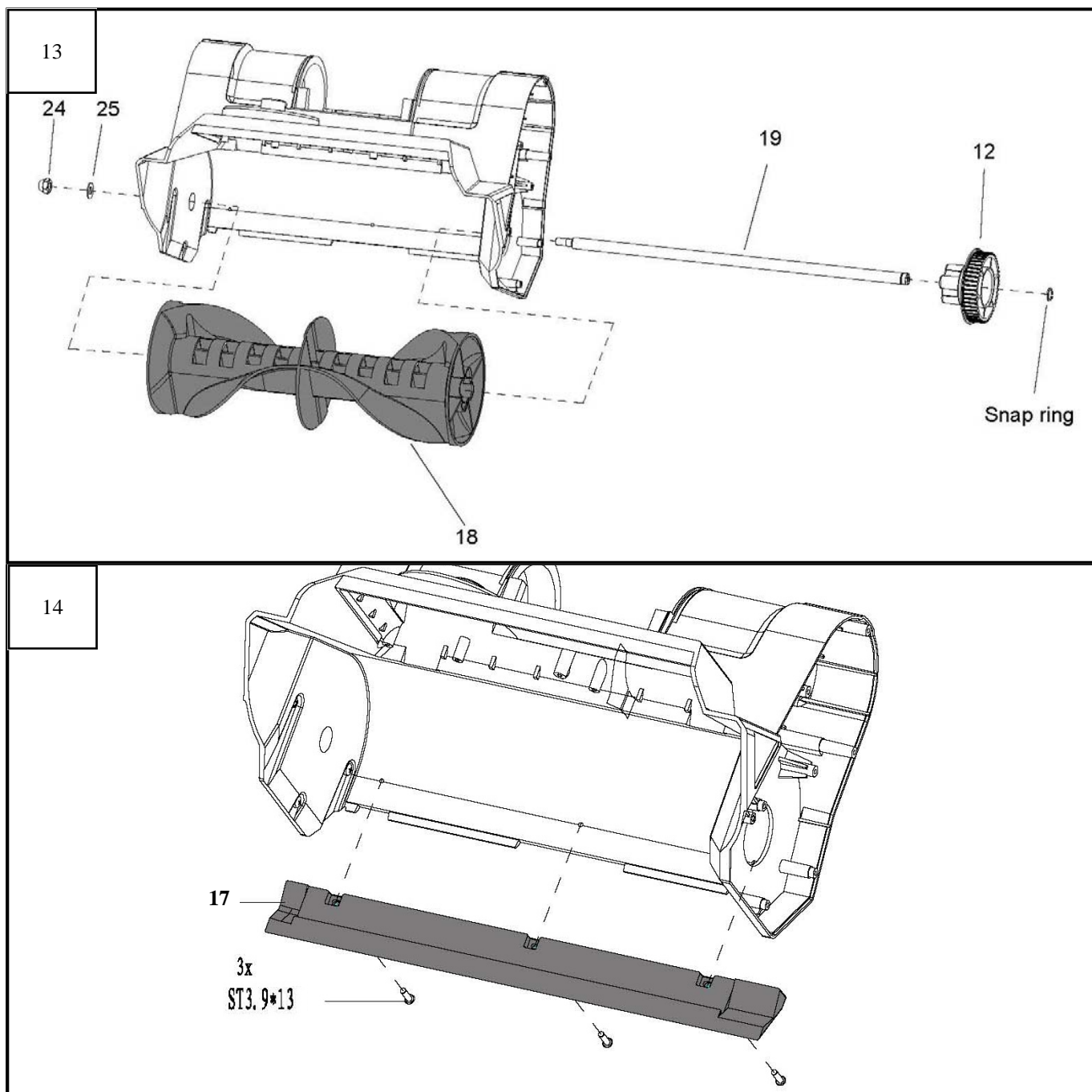
4. Après assemblage, vérifiez que les vis et les écrous sont tous bien serrés.

Lame de raclage (fig. 14)

La lame de raclage s'use et doit être remplacée chaque fois que nécessaire. Une lame de raclage usée peut entraîner des vibrations très importantes et endommager la vis sans fin.

Pour remplacer la lame de raclage :

1. Enlevez les trois vis du bas de la lame et faites glisser la lame vers l'avant pour supprimer..
2. Remplacez la lame de raclage usée par une lame neuve.
3. Fixez avec les trois vis.
4. Assurez-vous que les vis sont bien serrées.



CHARGE DE LA BATTERIE

JAUGE DE BATTERIE

Puisque la batterie de la souffleuse à neige est expédiée faiblement chargée, **elle doit être rechargée avant son utilisation**. La batterie possède 3 témoins à DEL indiquant son niveau de charge. Ces témoins s'illumineront seulement lorsque vous appuyez sur le bouton d'indication lumineuse.

Si trois témoins VERTS s'illuminent, la batterie est chargée et prête à être utilisée. Deux témoins verts indiquent une charge de 25 à 80 %, tandis qu'un seul témoin vert indique une charge de 5 à 25 %.

Il est recommandé de charger le bloc-batterie lorsqu'un seul témoin est illuminé.

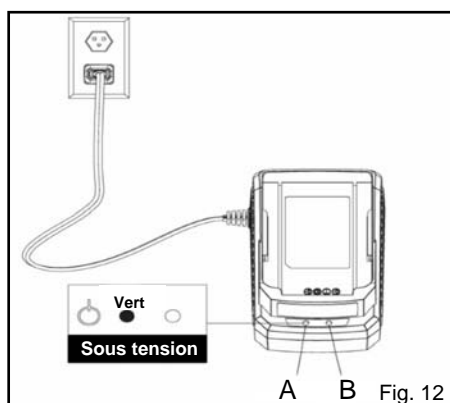
CHARGE DE LA BATTERIE

La souffleuse à neige vient avec de la batterie d'accumulateurs de 40 volts, scellées et ne demandant pas d'entretien.

- Retirez la clé de contact de la griffe et entreposez cette dernière dans un endroit sûr hors de portée des enfants.
- Ne chargez la batterie qu'avec le chargeur fourni.
- Permettez un temps de rechargement d'au moins deux heures avant la première utilisation de la souffleuse à neige.
- Assurez-vous que la tension d'alimentation soit une tension domestique normale, **120 V, 60 Hz, CA uniquement**.
- La batterie doit être chargée dans un endroit frais et sec.
- Pour améliorer la durée de vie de la batterie, rangez-la à l'intérieur dans un environnement climatisé. **Chargez complètement le bloc-batterie tous les 3 mois.**
- La batterie ne développant pas de mémoire, il n'est pas nécessaire qu'elle soit entièrement déchargée avant de la recharger.
- 2 à 3 cycles initiaux de charge/décharge peuvent être nécessaires pour obtenir la durée/capacité maximum.
- Lorsqu'elles sont entièrement chargées, les batteries peuvent être stockées de façon sûre à des températures pouvant atteindre -20 °C (-4 °F) pendant une période allant jusqu'à un mois avant de devoir être chargées. **Chargez complètement le bloc-batterie tous les 3 mois.**
- Le chargeur de batterie doit être utilisé dans des températures entre 0°C et 37,8 °C (32 °F et 100 °F).

CHARGE

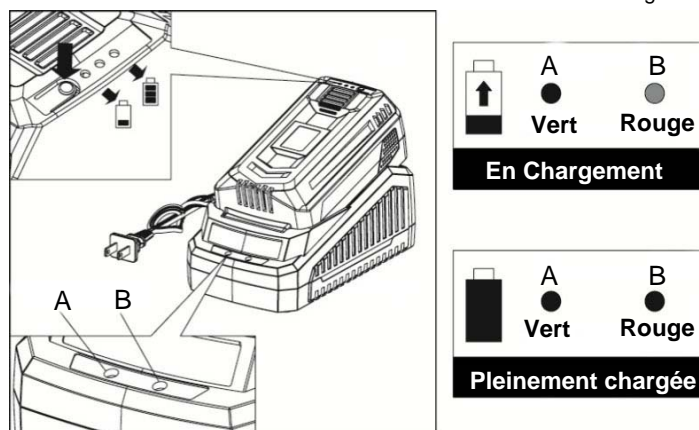
Insérez la prise de 120 volts du chargeur dans la prise murale. Le voyant A s'illumine et reste vert. (Fig. 12)



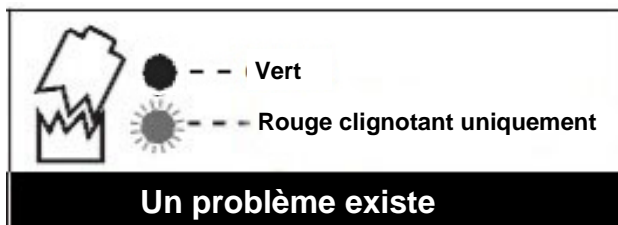
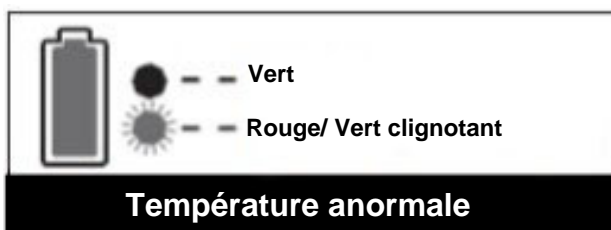
- Glissez le bloc-batterie dans le chargeur pour le verrouiller en position comme illustré à la Fig. 13. Le voyant B s'illumine rouge pour indiquer que la batterie se charge. Les trois voyants sur le bloc-batterie effectueront un cycle au vert.
- Lorsque le bloc-batterie est complètement chargé, le voyant B vire au vert et les voyants sur le bloc-batterie s'éteignent. (Fig 13)

REMARQUE : Durée jusqu'à recharge complète : 2,5 heures.

Fig. 13



REMARQUE : Si le voyant A reste vert alors que le voyant B clignote alternativement rouge et vert, cela indique une anomalie de température (à savoir, que le bloc-batterie est trop chaud ou trop froid). S'il y a seulement un témoin clignotant rouge, cela indique qu'il y a un problème avec la batterie. Contactez le service de service à la clientèle Earthwise au 1-800-313-5111 pour obtenir de l'aide.



Si le témoin d'indicateur de charge du voyant B clignote entre le rouge et le vert ou si l'indicateur lumineux ne s'allume pas du tout, vérifiez que le bloc-batterie repose complètement dans la fente. Retirez le bloc et réinsérez-le. Si le problème demeure, contactez le service de service à la clientèle Earthwise au 1-800-313-5111 pour obtenir de l'aide.

CHARGE DE LA BATTERIE

MODE VEILLE :

Si le bouton du voyant lumineux est appuyé de manière continue pendant plus de 30 secondes, les voyants passeront en mode veille. Lorsque le bouton du voyant lumineux est appuyé sur, aucun voyant ne s'allume (Cela peut se produire de temps en temps lors d'un déplacement).

Pour réactiver les voyants DEL de la batterie, placez celle-ci sur le chargeur et chargez-la pendant une à deux minutes. L'indicateur de la batterie fonctionnera normalement.

RANGEMENT

Faites tourner la souffleuse pendant quelques minutes pour faire fondre toute neige se trouvant encore dessus.

Retirez le bloc-batterie de la souffleuse à neige.

Inspectez soigneusement la souffleuse et vérifiez qu'aucune pièce ne se détache ou n'est usée ou endommagée. Vérifiez les raccords et les vis. Resserrez si nécessaire. Pour réparer ou remplacer des pièces, appelez notre service clientèle au 1-800-313-5111.

Rangez la souffleuse et le bloc-batterie retiré dans un local propre et sec, hors de la portée des enfants.

MISE AU REBUT DE LA BATTERIE

Retirez la batterie de la griffe. Couvrez les bornes avec du ruban adhésif résistant. Ne tentez pas de détruire ou de démonter la batterie ou d'enlever des composants. Ce produit contient des batteries au lithium-ion qui doivent être recyclées ou éliminées de façon appropriée. Les lois locales, provinciales ou fédérales peuvent interdire l'élimination de ces batteries dans les déchets ménagers.



Le sceau RBRC sur la batterie au lithium-ion indique que le coût du recyclage de la batterie à la fin de sa durée de vie utile a déjà été payé par The Great States Corporation/American Lawn Mower Company. Il est illégal de placer des batteries lithium-ion usagées dans les ordures ménagères. RBRC, en coopération avec The Great States Corporation/American Lawn Mower Company, fournit un moyen facile et écologique de recycler les batteries lithium-ion usagées. Contactez votre centre de recyclage local ou appelez le 1-800-8-BATTERY pour des renseignements sur le lieu où vous pouvez apporter votre batterie morte.

DÉPANNAGE

Problème	Causes possibles	Correctif
Le moteur ne démarre pas	<p>La batterie ne fait pas contact</p> <p>Le déverrouillage n'est pas activé à fond</p> <p>La batterie n'est pas correctement installée</p> <p>La batterie n'est pas chargée</p>	<p>Vérifier que la batterie soit insérée à fond</p> <p>Vérifier que le déverrouillage soit à fond vers l'avant avant d'activer la gâchette</p> <p>Vérifiez l'installation de la batterie.</p> <p>Vérifier les exigences de charge de la batterie</p>
Mauvais résultats	<p>Courroie d'entraînement usée ou endommagée.</p> <p>Vis sans fin usée ou endommagée.</p> <p>Goulotte d'évacuation bouchée.</p>	<p>Remplacez la courroie d'entraînement.</p> <p>Replacer les plaques en caoutchouc sur la foreuse. Assurez-vous que les vis et les écrous sont bien serrés.</p> <p>Éteignez la souffeuse à neige et nettoyez la goulotte d'évacuation.</p>
Vibrations anormales	<p>Courroie d'entraînement usée ou endommagée.</p> <p>Vis sans fin usée ou endommagée.</p> <p>Lame de raclage usée ou endommagée.</p>	<p>Remplacez la courroie d'entraînement.</p> <p>Replacer les plaques en caoutchouc sur la foreuse. Assurez-vous que les vis et les écrous sont bien serrés.</p> <p>Remplacez la lame de raclage. Assurez-vous que les vis sont bien serrées.</p>

RÉPARATION

Maintenant que vous avez acheté votre souffeuse à neige, en cas de besoin de pièces de rechange ou de réparation, contactez-nous simplement au 1-800-313-5111. Veillez à fournir tous les faits pertinents lorsque vous nous appelez.

Pièces de rechange

Notez votre numéro de série dans l'espace prévu ci-dessous.

- NOM DE L'ARTICLE Souffeuse à neige
- NUMÉRO DE MODÈLE SN74016
- NUMÉRO DE SÉRIE

APPELEZ-NOUS D'ABORD!!

Appelez-nous d'abord pour toute question concernant le fonctionnement ou l'entretien de ce produit au 1.800.313.5111 entre 8h00 et 17h00, heure normale de l'Est, ou envoyez un courriel à earthwise@reelin.com.



The Great States Corporation
American Lawn Mower Company
830 Webster Street
Shelbyville, IN 46176, États-Unis
www.earthwisetools.com



MANUEL DE L'UTILISATEUR

Souffleuse à neige de 16 pouces

Ce produit est protégé par des brevets américains et d'autres brevets internationaux

Copyright Tous droits réservés.

POLITIQUE DE GARANTIE

Garantie limitée de deux (2) ans sur l'équipement électrique d'extérieur Earthwise de 40 volts.

Earthwise garantit au propriétaire d'origine que tout nouveau produit et toute nouvelle pièce de remplacement est exempt(e) de défaut de matériau et de fabrication et s'engage en vertu de la présente garantie à réparer ou à remplacer tout produit défectueux ou toute pièce défectueuse à compter de la date d'achat d'origine pendant la période de garantie à l'exception des conditions et des circonstances indiquées ci-dessous.

Cette garantie s'applique seulement à l'acheteur d'origine dans un magasin de ventes au détail et ne peut être transférée.

La garantie s'applique si le produit est utilisé pour usage personnel, domestique ou familial. La garantie est nulle si le produit est utilisé à des fins commerciales, industrielles ou locatives.

La garantie n'inclut pas les réparations nécessaires à cause de la négligence ou de l'abus de l'opérateur (y compris la surcharge du produit au-delà de sa capacité ou son immersion dans l'eau), ou l'échec à assembler, opérer, entretenir ou entreposer le produit selon les instructions dans le manuel de l'opérateur.

Cette garantie n'est pas transférable et s'applique seulement au produit vendu directement d'un fournisseur autorisé. Cette garantie ne s'applique pas à tout produit, neuf ou usagé, acheté par le biais de canaux tiers non-autorisés.

TOUT DOMMAGE, PERTE OU FRAIS CONSÉCUTIF, INDIRECT OU CONSÉQUENT QUI POURRAIT RÉSULTER D'UN DÉFAUT, D'UNE DÉFAILLANCE OU D'UN DYS FONCTIONNEMENT DU PRODUIT N'EST PAS COUVERT PAR LA GARANTIE. Certains États ne permettent pas l'exclusion ou la limitation de la durée d'une garantie implicite. Les restrictions ci-dessus peuvent donc ne pas s'appliquer.

Les produits vendus endommagés ou incomplets, vendus « tels quels », ou vendus remis en état, ne sont pas couverts par cette garantie.

Les dommages ou responsabilités provoqués par le transport, une mauvaise manipulation, un mauvais assemblage, une tension ou un câblage incorrect, une mauvaise maintenance, une modification incorrecte ou l'utilisation d'accessoires ou d'outils non spécifiquement recommandés n'est pas couvert par cette garantie.

Les items consommables qui s'usent lors d'une utilisation normale ne sont pas couverts par la garantie.

La garantie ne couvre pas la détérioration normale de la finition extérieure, y compris, sans s'y limiter, aux égratignures, aux éclats de peinture entaillée ou à toute corrosion ou décoloration causée par la chaleur, les abrasifs et les nettoyeurs chimiques.

La garantie n'inclut pas l'installation, l'assemblage ou les réglages normaux expliqués dans le manuel de l'utilisateur.

Les frais de livraison du produit au vendeur ou les frais de retourner le produit ou les pièces de rechange au propriétaire ne sont pas couverts par la garantie.

La garantie ne couvre pas la détérioration normale de la finition extérieure, y compris, sans s'y limiter, aux égratignures, aux éclats de peinture entaillée ou à toute corrosion ou décoloration causée par la chaleur, les abrasifs et les nettoyeurs chimiques.

Une preuve d'achat, original du reçu de vente daté, doit accompagner toute réclamation de garantie.

The Great States Corporation
American Lawn Mower Company
830 Webster Street
Shelbyville, IN 46176
Téléphone. 1-800-313-5111
États-Unis
www.earthwisetools.com

Dans le cadre d'un engagement permanent d'amélioration de la qualité, le Fabricant se réserve le droit de modifier des pièces ou la conception de ce produit.