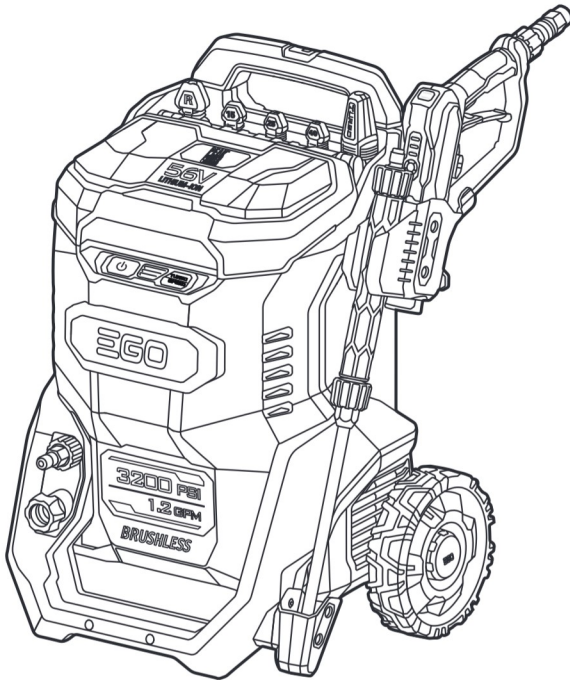


EGO™

POWER⁺ PRESSURE WASHER



OPERATOR'S MANUAL

56-VOLT LITHIUM-ION PRESSURE WASHER

MODEL NUMBER HPW3200/HPW3200-FC

Français p. 43

Español p. 89

⚠ WARNING: To reduce the risk of injury, the user must read and understand the Operator's Manual before using this product. Save these instructions for future reference.



READ ALL INSTRUCTIONS!



**READ & UNDERSTAND
OPERATOR'S MANUAL**





TABLE OF CONTENTS

Safety Symbols	3
Symbols	4
Safety Instructions for Pressure Washer	5-6
Introduction	7
Specifications	8
Accessories	9
Description	10-14
Assembly	15-24
Operation	25-30
Maintenance	31-36
Troubleshooting	37-39
EGO Limited Warranty	40-41

SAFETY SYMBOLS

The purpose of safety symbols is to attract your attention to possible dangers. The safety symbols and the explanations with them deserve your careful attention and understanding. The symbol warnings do not, by themselves, eliminate any danger. The instructions and warnings they give are no substitutes for proper accident prevention measures.

⚠ WARNING: Be sure to read and understand all safety instructions in this Operator's Manual, including all safety alert symbols such as "**DANGER**", "**WARNING**", and "**CAUTION**" before using this machine. Failure to follow all instructions listed below may result in electric shock, fire, and/or serious personal injury.

The definitions below describe the level of severity for each signal word. Please read the manual and pay attention to these symbols.	
	This is the safety alert symbol. It is used to alert you to potential personal injury hazards. Obey all safety messages that follow this symbol to avoid possible injury or death.
	DANGER indicates a hazardous situation which, if not avoided, will result in death or serious injury.
	WARNING indicates a hazardous situation which, if not avoided, could result in death or serious injury.
	CAUTION, used with the safety alert symbol, indicates a hazardous situation which, if not avoided, will result in minor or moderate injury.




DAMAGE PREVENTION AND INFORMATION MESSAGES

These inform the user of important information and/or instructions that could lead to equipment or other property damage if they are not followed. Each message is preceded by the word "NOTICE", as in the example below:

NOTICE: Equipment and/or property damage may result if these instructions are not followed.

SYMBOLS

This page depicts and describes symbols that may appear on this product. Read, understand, and follow all instructions on the product before attempting to assemble and operate.

	Safety Alert	Precautions that involve your safety.
	Read & Understand Operator's Manual	To reduce the risk of injury, user must read and understand the operator's manual before using this product.
	Do not connect to the potable water mains.	Product is not intended to be connected to the potable water mains.
IP...	Ingress Protection (IP) Rating	Classifies the degree of protection provided by an enclosure, for electrical equipment.
°F	Degrees Fahrenheit	Temperature
°C	Degrees Celsius	Temperature
lbs	Pounds	Weight
kg	Kilogram	Weight
PSI	Pounds per Square Inch	Pressure
MPa	Megapascal	Pressure
GPM	Gallons per Minute	Flow rate
L/min	Liters per Minute	Flow rate

SAFETY INSTRUCTIONS FOR PRESSURE WASHER

⚠ WARNING: Risk of injury. Do not direct discharge stream at persons.

⚠ WARNING: When using this product basic precautions should always be followed, including the following:

- Read all the instructions before using the product.
- To reduce the risk of injury, close supervision is necessary when a product is used near children.
- Know how to stop the product and bleed pressure quickly. Be thoroughly familiar with the controls.
- Stay alert – watch what you are doing.
- Do not operate the product when fatigued or under the influence of alcohol or drugs.
- Keep operating area clear of all persons.
- Do not use the pressure washer in bad weather conditions, especially when there is a risk of lightning. This decreases the risk of being struck by lightning.
- Do not connect to the potable water mains. Product is not intended to be connected to the potable water mains.
- Do not overreach or stand on unstable support. Keep good footing and balance at all times.
- Follow the maintenance instructions specified in the manual.
- Prevent unintentional starting. Ensure the switch is in the off-position before connecting to battery pack, picking up or carrying the appliance. Carrying the appliance with your finger on the switch or energizing appliance that has the switch on invites accidents.
- Disconnect the battery pack from the appliance before making any adjustments, changing accessories, or storing appliance. Such preventive safety measures reduce the risk of starting the appliance accidentally.
- Recharge only with the charger specified by the manufacturer. A charger that is suitable for one type of battery pack may create a risk of fire when used with another battery pack.
- Use the appliance only with specifically designated battery packs. Use of any other battery packs may create a risk of injury and fire.

- When battery pack is not in use, keep it away from other metal objects, like paper clips, coins, keys, nails, screws or other small metal objects, that can make a connection from one terminal to another. Shorting the battery terminals together may cause burns or a fire.
- Under abusive conditions, liquid may be ejected from the battery; avoid contact. If contact accidentally occurs, flush with water. If liquid contacts eyes, additionally seek medical help. Liquid ejected from the battery may cause irritation or burns.
- Do not use a battery pack or appliance that is damaged or modified. Damaged or modified batteries may exhibit unpredictable behavior resulting in fire, explosion or risk of injury.
- Do not expose a battery pack or appliance to fire or excessive temperature. Exposure to fire or temperature above 265°F (130°C) may cause explosion.
- Follow all charging instructions and do not charge the battery pack or appliance outside of the temperature range specified in the instructions. Charging improperly or at temperatures outside of the specified range may damage the battery and increase the risk of fire.
- Have servicing performed by a qualified repair person using only identical replacement parts. This will ensure that the safety of the product is maintained.
- Do not modify or attempt to repair the appliance or the battery pack (as applicable) except as indicated in the instructions for use and care.
- **Use only with the battery packs and chargers listed below:**

BATTERY PACK	CHARGER
BA1400, BA1400-FC, BA2800, BA2800-FC, BA4200, BA4200-FC, BA1400T, BA1400T-FC, BA2242T, BA2242T-FC, BA2800T, BA2800T-FC, BA3360T, BA3360T-FC, BA4200T, BA4200T-FC, BA4480T, BA4480T-FC, BA5600T, BA5600T-FC, BA6720T, BA6720T-FC	CH2100, CH2100-FC, CH3200, CH3200-FC, CH5500, CH5500-FC, CH2800D, CH2800D-FC, CH7000, CH7000-FC

SAVE THESE INSTRUCTIONS! Refer to them frequently and use them to instruct others who may use this appliance. If you loan this appliance to someone else, also loan these instructions to them to prevent misuse of the product and possible injury.



INTRODUCTION

Congratulations on your selection of the 56V Lithium-ion Pressure Washer. It has been designed, engineered and manufactured to give you the best possible dependability and performance.

Should you experience any problem you cannot easily remedy, please contact EGO customer service center 1-855-EGO-5656.

This manual contains important information on to the safe assembly, operation and maintenance of your product. Read it carefully before using the product. Keep this manual handy so you can refer to it at any time.

SERIAL NUMBER _____ DATE OF PURCHASE _____

YOU SHOULD RECORD BOTH SERIAL NUMBER AND DATE OF PURCHASE AND KEEP IN A SAFE PLACE FOR FUTURE REFERENCE.

SPECIFICATIONS

Voltage	56 V
Maximum Rated Pressure	3200 PSI (22 MPa)
Maximum Rated Flow (with quick connect lance and stainless steel wand connected)	1.2 GPM (4.5 L/min)
Maximum Rated Flow (with only short pressure gun connected)	2.0 GPM (7.5 L/min)
Ingress Protection Rating	IPX5* (Protection from water jets)
Recommended Operating Temperature	41°F – 104°F (5°C – 40°C)
Recommended Storage Temperature	-4°F – 158°F (-20°C – 70°C)
Weight (without battery pack)	36.2 lbs. (16.4 kg)

* **NOTE:** IPX5 rating is valid when the battery compartment is properly closed.

ACCESSORIES

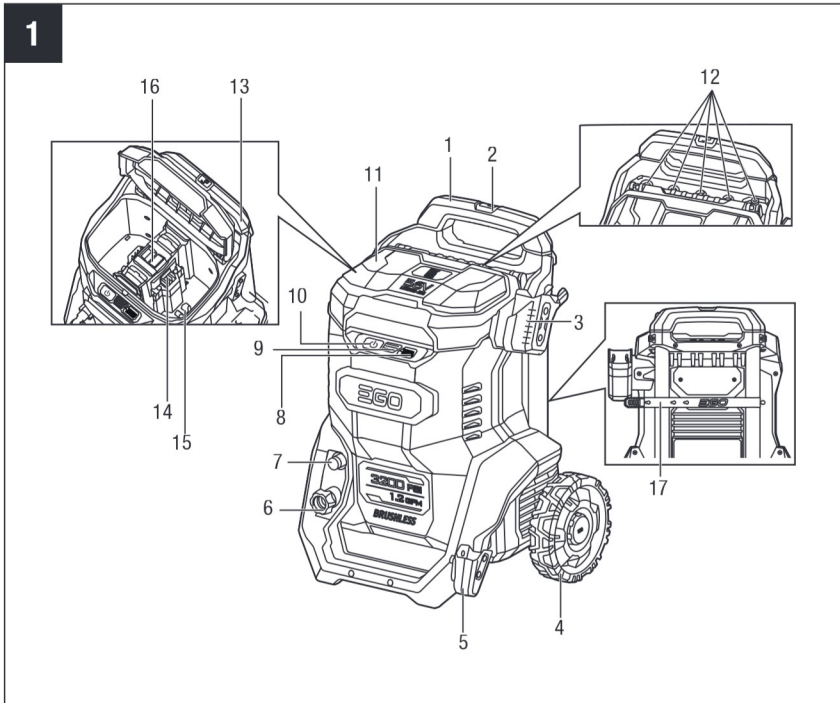
⚠ WARNING: Use only identical accessories listed below. Use of accessories that do not meet the original equipment specifications may lead to improper performance and compromised safety.

PART NAME	MODEL NUMBER
0° Nozzle	ANZ3200
Nozzle Kit (Includes one of each: Turbo nozzle, 15° nozzle, 25° nozzle, 40° nozzle, Rinse nozzle)	ANK3200

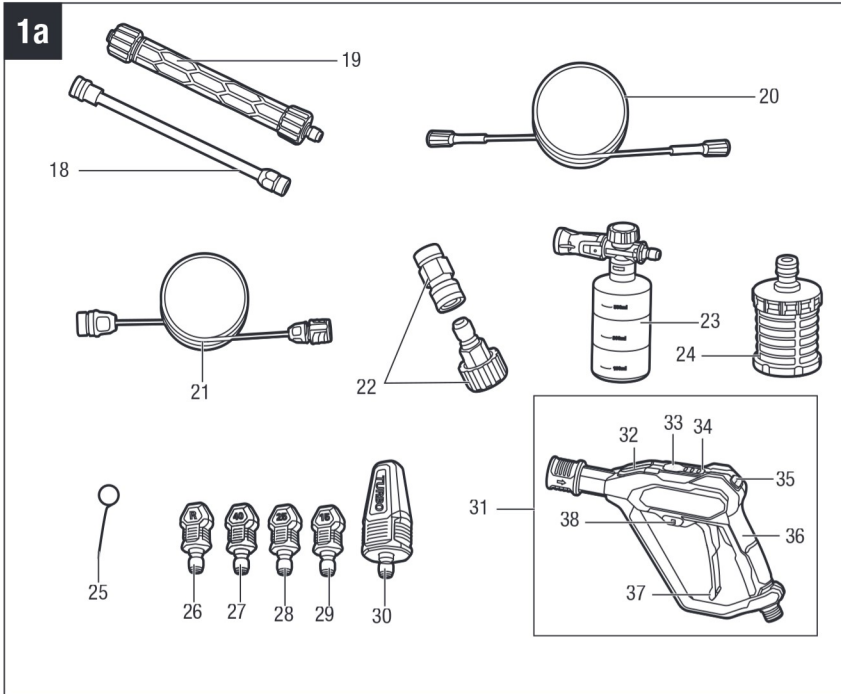
For more information about the latest accessories, please visit:
www.egopowerplus.com.

DESCRIPTION

KNOW YOUR PRESSURE WASHER (Fig. 1)



- | | |
|-------------------------|------------------------------------|
| 1. Telescopic Handle | 10. Power Button |
| 2. Handle Lock Button | 11. Battery Pack Compartment |
| 3. Upper Holder Bracket | 12. Nozzles Storage |
| 4. Wheel (x2) | 13. Battery Pack Compartment Cover |
| 5. Lower Holder Bracket | 14. Electric Contacts |
| 6. Water Inlet Port | 15. Ejection Mechanism |
| 7. Water Outlet Port | 16. Battery-Release Button |
| 8. Speed Button | 17. Hose Holder Strap |
| 9. Speed Indicator | |



- | | |
|----------------------------|------------------------|
| 18. Stainless Steel Wand | 28. 25° Nozzle |
| 19. Quick Connect Lance | 29. 15° Nozzle |
| 20. High-pressure Hose | 30. Turbo Nozzle |
| 21. Siphon Hose | 31. Short Pressure Gun |
| 22. Quick-Coupler Set (x2) | 32. Battery Cover |
| 23. Foam Cannon | 33. 5-LED Fuel Gauge |
| 24. Filter | 34. Speed Indicator |
| 25. Nozzle Cleaning Needle | 35. Speed Button |
| 26. Rinse Nozzle | 36. Gun Handle |
| 27. 40° Nozzle | 37. Trigger |
| | 38. Lock-off Button |

⚠ WARNING: The safe use of this product requires an understanding of the information on the product and in this instruction manual, as well as knowledge of the project you are attempting. Before use of this product, familiarize yourself with all operating features and safety rules.

Telescopic Handle

Pull out the telescopic handle by pressing the telescopic handle lock button to roll the pressure washer to desired place easily.

Handle Lock Button

Press the lock button to pull out or press down the telescopic handle, and release the lock button to lock the telescopic handle in one of three positions.

Wheels

The wheels are used to quickly roll the pressure washer.

Water Inlet Port

With connected siphon hose, this port is used for water inflow.

Water Outlet Port

With connected pressure hose, this port is used for water outflow.

Siphon Hose

Provides path for water inflow.

High-pressure Hose

Provides path for water outflow.

Hose Holder Strap

Secures the pressure hose when it is stored behind the telescopic handle pole.

Short Pressure Gun

Hold the gun to spray out water. Provides high flow and low pressure for rinsing applications.

Upper/Lower Holder Bracket

Provides support for the short pressure gun, quick connect lance, and stainless steel wand when they are not used.

Quick Connect Lance

Required to connect the stainless steel wand to the short pressure gun. Also serves as an auxiliary handle.

Stainless Steel Wand

Required to connect most of the nozzles.

Nozzles

Used to spray water at various flow rates, angles, and shapes for different applications.

Foam Cannon

Add detergent into the foam cannon to perform deep cleaning. Please follow concentration recommendations for specific foaming detergent.

Nozzle Cleaning Needle

Used to clear the nozzle blockage.

Quick-Coupler Set (x2)

Factory-installed onto the water outlet port, pressure hose, and short pressure gun for quick connection/disconnection.

Filter

Filters the water before it flows into the siphon hose.

Battery Cover

Protects the coin cell (button cell) battery inside and can be opened for replacement of the battery.

Trigger

Turns the water spraying on and off.

Lock-off Button

Helps to prevent accidental activation of the trigger. Press the unlock side of the button before the trigger can be activated.

Battery Pack Compartment

Accommodates two battery packs.

Battery-Release Button

Press to release the battery pack from the pressure washer.

PEAK POWER™

This technology combines the power of up to two EGO 56V ARC Lithium™ batteries for longer run time and efficient power draw.

OPERATOR PANEL

Power Button

Powers the pressure washer ON and OFF.

Speed Button

Allows the operator to select the desirable speed.

Speed Indicator

Displays one green light, two green lights, three green lights to indicate the pressure washer running at low, high, or TURBO speed respectively.

5-LED Fuel Gauge

Indicates the battery-charge level. When two battery packs are installed, it indicates the level of the one with the higher charge.

ASSEMBLY

⚠ WARNING: If any parts are damaged or missing, do not operate this product until the parts are replaced. Use of this product with damaged or missing parts could result in serious personal injury.

⚠ WARNING: Do not attempt to modify this product or create accessories not recommended for use with this product. Any such alteration or modification is misuse and could result in a hazardous condition leading to possible serious personal injury.

⚠ WARNING: To prevent accidental starting that could cause serious personal injury, always remove the battery pack(s) from the product when assembling parts.

UNPACKING

This product requires assembly.

- Carefully remove the product and any accessories from the box. Make sure that all items listed in the “**PACKING LIST**” are included.
- Inspect the product carefully to make sure no breakage or damage occurred during shipping.
- Do not discard the packing material until you have carefully inspected and satisfactorily operated the product.
- If any parts are damaged or missing, please return the product to the place of purchase.



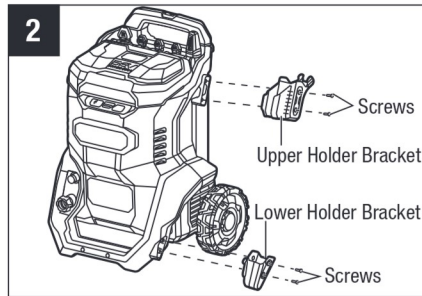
PACKING LIST

PART NAME		QUANTITY
Pressure Washer Unit		1
High-pressure Hose		1
Siphon Hose		1
Short Pressure Gun		1
Quick Connect Lance		1
Stainless Steel Wand		1
Quick-Coupler Set (Factory-installed onto the water outlet port, high-pressure hose, and short pressure gun)		2
Foam Cannon		1
Filter		1
Nozzle Cleaning Needle		1
Nozzles	15° Nozzle	1
	25° Nozzle	1
	40° Nozzle	1
	Turbo nozzle	1
	Rinse Nozzle	1
Holder Bracket Assembly	Upper Holder Bracket	1
	Lower Holder Bracket	1
	Screw	4
Operator's Manual		1

INSTALLING THE HOLDER BRACKET ASSEMBLY (Fig. 2)

Required Tool (not provided): Phillips head screwdriver.

1. With the wide opening facing up, align the holes of the upper holder bracket with the holes on the upper side of the pressure washer.
2. Thread two screws into the holes, then tighten them securely.
3. Install the lower holder bracket following above steps in the similar fashion.

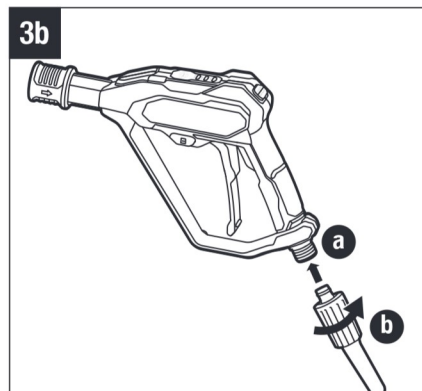
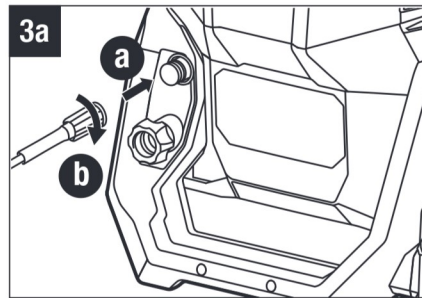


CONNECTING THE HIGH-PRESSURE HOSE (Fig. 3 – Fig. 5)

You may connect the high-pressure hose by one of the following ways:

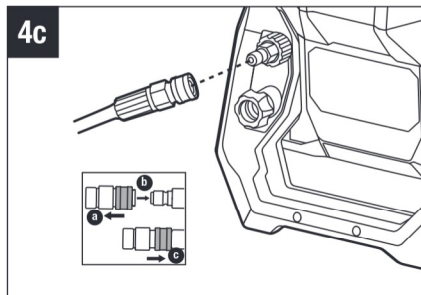
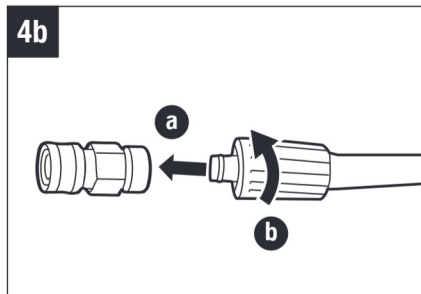
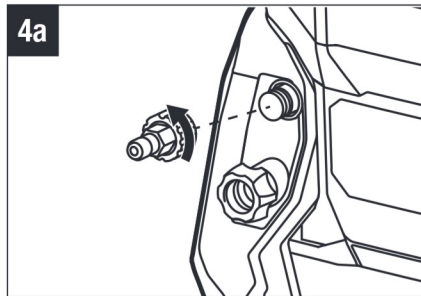
- Connect the high-pressure hose to the water outlet port and the gun directly through thread joints (Fig. 3a and 3b);
- Connect the high-pressure hose to the water outlet port and the gun using two quick-coupler sets to achieve easily installation/removal.

NOTE: The quick-coupler sets have been installed onto the water outlet port, high-pressure hose, gun at the factory. You could ignore steps 1 and 2, and only follow them when replacing the quick-coupler sets.

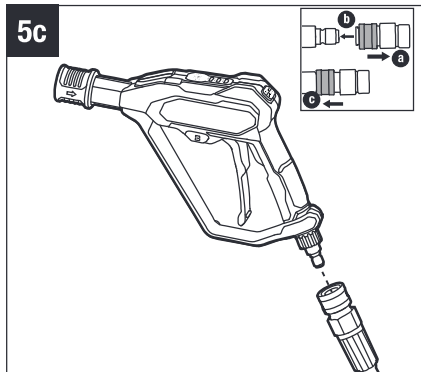
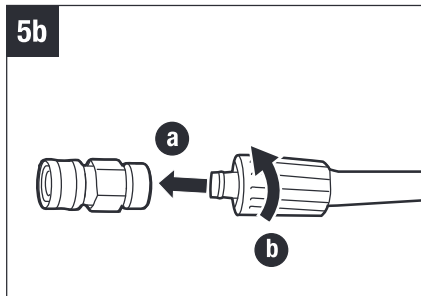
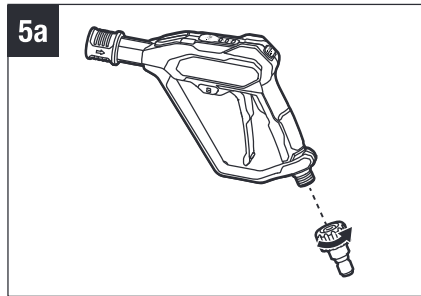


1. Tightly screw the internal threaded part of the quick-coupler onto the water outlet port (Fig. 4a).
2. Install one end of the high-pressure hose onto the external threaded part of the quick-coupler set, and then tightly secure them (Fig. 4b).
3. Pull back the collar of the quick-coupler end of the high-pressure hose, and then attach it onto the water outlet port until you hear a “click” (Fig. 4c).

To disconnect, pull back the collar of the quick-coupler to pull the high-pressure hose from the water outlet port.

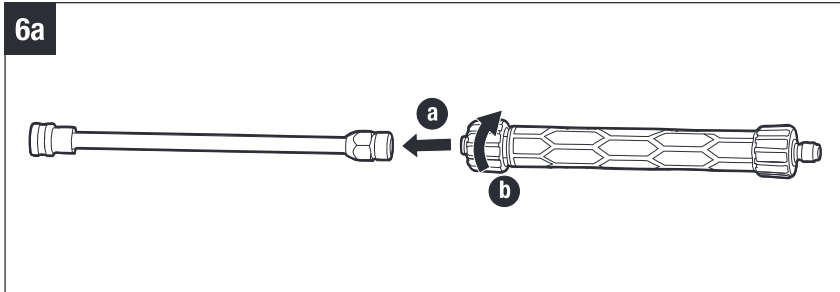


Follow above steps to install the quick-coupler set onto the other end of the high-pressure hose and the threaded end of the gun, then connect the high-pressure hose and the gun (Fig. 5).



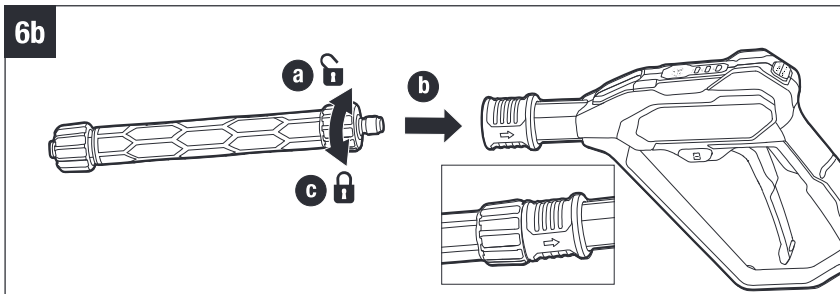
CONNECTING THE QUICK CONNECT LANCE AND STAINLESS STEEL WAND (Fig. 6)

1. To connect the wand to the lance, install the external threaded end of the wand onto the internal threaded end of the lance, and then screw them together tightly (Fig. 6a).



2. To connect the lance to the gun (Fig. 6b):

- a. Screw the knob on the lance to fully expose its connection joint.
- b. Insert the lance into the quick-coupler of the gun until you hear a “click”. The outer ring of the quick-coupler will move forward automatically, which indicates the connection is established properly.
- c. Screw the knob on the lance to tighten the connection.



To disconnect,

1. Screw the wand from the lance and then pull it out.
2. Screw the knob on the lance to loosen the connection, then pull back the outer ring of the quick-coupler of the gun to pull out the lance.

⚠ WARNING: Always hold the gun with one hand and the lance with the other hand when disconnecting the lance from the gun. Personal injury may result if the lance falls.

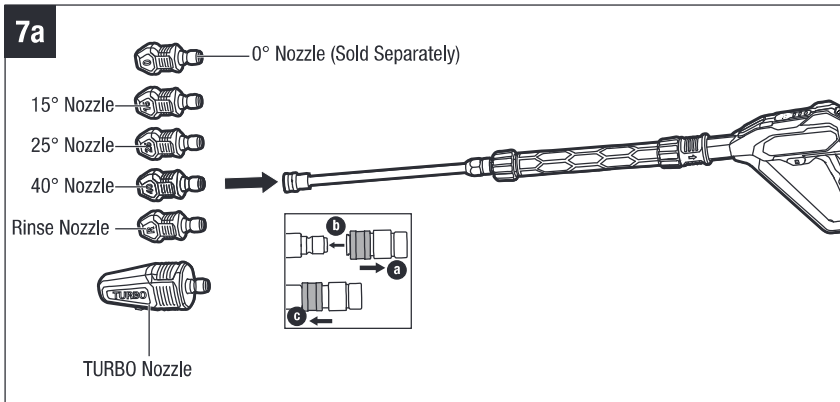
CONNECTING A NOZZLE (Fig. 7)

NOTE: The nozzles cannot be connected to the lance.

- Choose the 0° nozzle (sold separately), 15° nozzle, 25° nozzle, 40° nozzle, or Turbo nozzle to install onto the wand (Fig. 7a).

To connect, pull back the collar of the quick-coupler end of the wand, and then insert the nozzle until you hear a “click”.

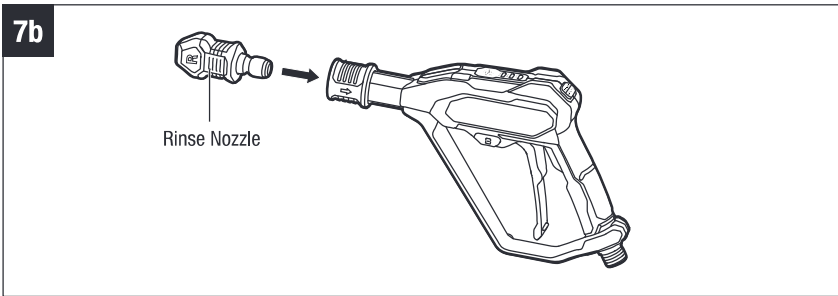
To disconnect, pull back the collar of the quick-coupler, and then pull out the nozzle.



- The rinse nozzle is connected to the gun directly (Fig. 7b).

To connect, insert the rinse nozzle into the outer ring of the quick-coupler end of the gun until you hear a “click”. The outer ring of the quick-coupler will move forward automatically, which indicates the connection is established. Tug on the nozzle to make sure it is securely attached.

To disconnect, pull back the outer ring of the quick-coupler, and then pull out the rinse nozzle.



⚠ WARNING: Always hold the gun with one hand and the nozzle with the other hand when disconnecting the nozzle from the gun. Personal injury may result if the nozzle jumps out.

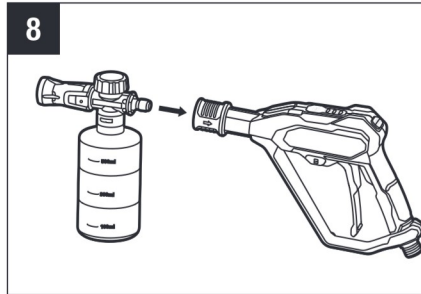
Use the table below to pick the right nozzle for the job.

NOZZLE SELECTION	APPLICATIONS
Red 0° Nozzle (sold separately)	Powerful cleaning at close range for metal or concrete surface. DO NOT USE ON WOOD.
Yellow 15° Nozzle	Clean small metal, concrete, or wood surfaces.
Green 25° Nozzle	Clean larger metal, concrete, or wood surfaces.
White 40° Nozzle	Clean wide metal, concrete, wood, or vinyl surfaces.
Gray Rinse Nozzle	Rinse vehicles. Rinse the detergent off of metal, concrete, wood, or vinyl.
Turbo Nozzle	Clean hard surfaces only. To prevent surface damage, do not use on cars and wooden surfaces.

CONNECTING THE FOAM CANNON (Fig. 8)

The foam cannon is connected to the gun directly.

Pull back the outer ring of the quick-coupler end of the gun, and then attach the foam cannon until you hear a “click”. The outer ring of the quick-coupler will move forward automatically, which indicates the connection is established. Tug on the nozzle of the foam cannon to make sure it is securely attached.

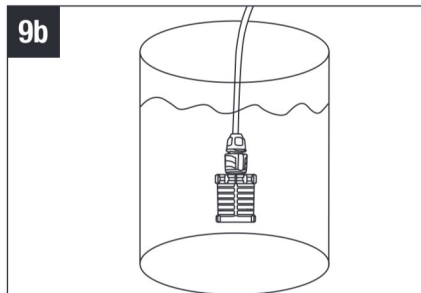
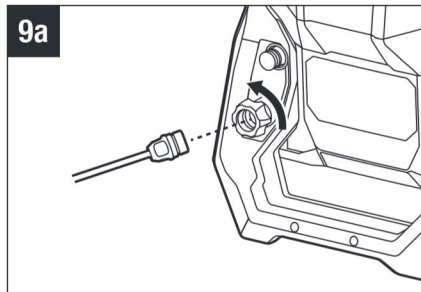


To disconnect, pull back the outer ring of the quick-coupler, and then pull out the foam cannon.

CONNECTING THE SIPHON HOSE (Fig. 9)

When using a water bucket (not provided) as a source of water, connect the siphon hose to the pressure washer.

1. Align the threaded end of the siphon hose with the water inlet port and tighten them securely by screwing the knob of the water inlet port (Fig. 9a).
2. Attach the filter to the quick-coupler of the siphon hose and then immerse the filter and the quick-coupler fully into the water (Fig. 9b).



NOTE: It is recommended to fully fill the bucket with water BEFORE inserting the filter and the quick-coupler. This way the filter and the quick-coupler will properly immerse. They may float if inserted into the empty bucket prior to filling it with water.

CONNECTING TO THE GARDEN HOSE (NOT PROVIDED)

When using water faucet (not provided) as a source of water, connect the pressure washer to a garden hose (not provided).

IMPORTANT: Always observe all local regulations when connecting hoses to the water main. Some areas have restrictions against connecting directly to public drinking water supply to prevent the feedback of chemicals into the drinking water supply. Direct connection through a receiver tank or backflow preventer is usually permitted.

The water supply must come from a water main. NEVER use hot water or water from pools, lakes, etc.

Before connecting the garden hose to the pressure washer:

- Run water through the hose for 30 seconds to clean any debris from the hose.
- Inspect the metal mesh in the water inlet port. If the metal mesh is damaged, do not use the machine until the metal mesh has been replaced. If the metal mesh is dirty, clean it.
- Completely uncoil the garden hose or remove it completely from reel to prevent kinks.

NOTE: There must be enough length of unrestricted hose between the water inlet port and the hose faucet or shut off valve (such as a “Y” shut off connector).

With the hose faucet turned completely off, attach the end of the garden hose to the washer.

OPERATION

⚠ WARNING: Do not allow familiarity with this product to make you careless. Remember that a careless fraction of a second is sufficient to inflict serious injury.

⚠ WARNING: Do not use any attachments or accessories not recommended by the manufacturer of this product. The use of attachments or accessories not recommended can result in serious personal injury.

⚠ WARNING: To prevent serious personal injury, remove the battery pack from the product before servicing, cleaning, changing attachments, or removing material from the product.

APPLICATION

You may use this product for the purposes listed below:

- Cleaning dirt on automobiles, walls, floors, etc.

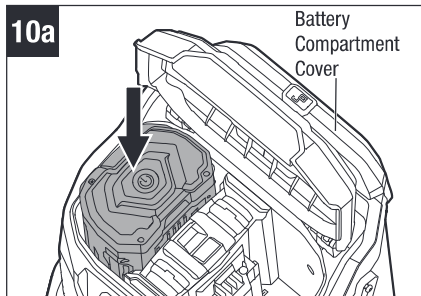
INSTALLING/REMOVING BATTERY PACK (Fig. 10)

Charge the battery pack(s) before first use!

NOTE: The pressure washer can be powered by one or two battery packs. Using two battery packs gives you a longer run time and efficient power draw managed by PEAK POWER™ technology.

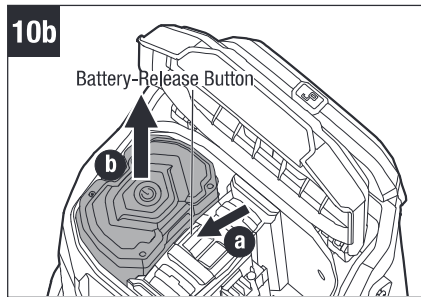
NOTE: Using one battery pack will not allow you achieve **TURBO speed**. For best performance, we strongly recommend use of two 5.0Ah or greater Ah battery packs.

1. The battery pack compartment cover is hinged. Raise the cover by lifting the front of the cover.
2. Align the grooves in the battery pack with the raised ribs in one of the battery compartments, and then insert the battery pack into the compartment (Fig. 10a).
3. Push the battery pack until you hear a “click”. The battery-release button will spring up when the battery pack is securely attached.



NOTICE: Make sure that the latch in the battery compartment(s) snaps into place and that the battery pack(s) are secured to the unit before starting operation.

4. Attach the other battery pack into the other battery compartment in the same way.
5. **To detach the battery pack,** depress the battery-release button to release the battery pack, and then lift it out of the compartment (Fig. 10b).
6. Close the battery pack compartment cover.



⚠ WARNING: Always remove the battery pack when the pressure washer is not in use.

STARTING/STOPPING THE PRESSURE WASHER (Fig. 11)

To Start the Pressure Washer

NOTICE: Do not start the pressure washer without water supply connected and turned on. This may damage the high-pressure seals and decrease pump life.

1. Ensure that the siphon hose, high-pressure hose, gun, nozzle are connected properly.
2. Connect lance, wand, foam cannon, filter according to your needs.
3. Choose one of below water supply ways:
 - When using a garden hose (not provided), connect the pressure washer to the garden hose and then open the water faucet.
 - When using a water bucket, connect the filter to the siphon hose and then immerse the filter and the quick-coupler joint fully into the water bucket.
4. Install the battery pack(s) into the pressure washer.
5. Press the power button to power on the pressure washer. The washer will always run at high speed after each start.

NOTE: When the pressure washer is powered on but with no further actions, the washer will turn off automatically after 5 minutes of standby. During the first several minutes of standby, the speed indicator on the pressure washer will flash three green lights, which indicates there is no water flowing into the siphon hose.

6. Hold the gun with both hands, press the unlock side of the lock-off button and then squeeze the trigger until a steady water flow is produced.

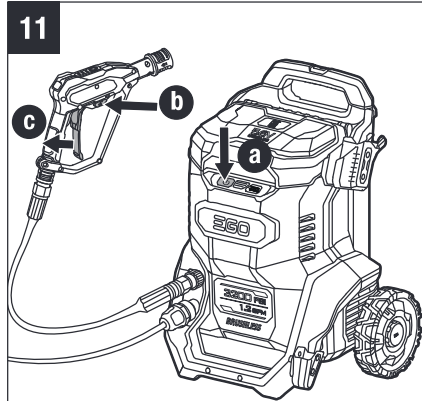
NOTE: If the lance is connected, hold the gun with one hand and the lance with the other hand.

7. Start spray washing.

NOTE: It may take some time for the water to travel from the source and come out of the nozzle as a steady spray. To achieve a steady water flow quickly, you may want to:

- a. Remove the nozzle.
- b. Press the trigger and wait until a steady water stream starts coming out of the wand.
- c. Release the trigger and re-install the nozzle.

⚠ WARNING: Car tires and/or tire valves may only be cleaned from a minimum distance of 11-3/4" (30 cm) in order to avoid damages by the high-pressure jet. The first indication of damage is the discoloration of the tire. Damaged car tires or tire valves present a risk of injury.



To Stop the Pressure Washer

1. Once the washing is completed, release the trigger and press the lock-off button to lock position.
2. Press the power button to power down the pressure washer.
3. Close the water faucet or remove the siphon hose from the water bucket.
4. **Press the lock-off button of the gun to the unlock position and squeeze the trigger to empty the water from the hoses.**

NOTICE: The gun, hoses, wands, nozzles, or foam cannon should not be disconnected for as long as the water remains in the hoses.

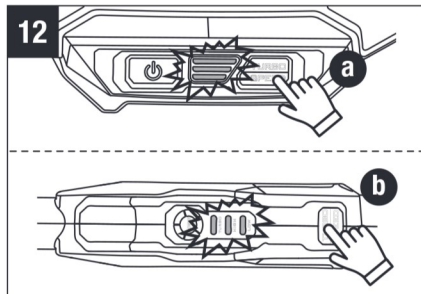
5. Disconnect and remove the gun, hoses, wands, nozzles, or foam cannon.
6. Press the power button to power on the pressure washer to empty the water in the pressure washer.
7. Press the power button again to power down the pressure washer.
8. Remove the battery pack(s).

REMOTE CONTROL

The gun can be paired with the pressure washer to function as a remote control.

Short Pressure Gun Pairing (Fig. 12)

1. Insert the battery pack(s) and power on the high pressure washer.
2. Long-press the speed button on the high pressure washer unit until its three green lights start flashing.



NOTE: The flashing will last approximately 20 s, so the gun can be paired only during this time. You could also short-press the speed button on the washer to exit the pairing mode any time.

3. Long-press the speed button on the gun until its three green lights start flashing, which means the pairing process has started.

NOTE: The flashing indicating the pairing process will last approximately 10 s. You could short-press the speed button on the gun to exit the pairing process any time.

4. The speed indicators on the washer and the gun will display three green lights together for 3 s to indicate the pairing was successful, then display two green lights.
5. If the pairing has failed, the speed indicators on the washer and the gun will flash three green lights and then turn off.

Using the Remote Control

After the pairing is completed, press the speed button once on the gun, the 5-LED fuel gauge and speed indicator will light up. Press the speed button again to actually change the speed.

NOTE:

- The 5-LED fuel gauge and speed indicator will shut off when there is no further action on the speed button of the gun within 10 s.
- The 5-LED fuel gauge indicates the battery-charge level. When two battery packs are installed, it indicates the level of the battery pack with the higher charge.
- The speed indicator on the gun is always synchronized with the speed indicator on the pressure washer unit.

SPEED SELECTION

- The speed of the pressure washer could be adjusted by the speed button on either the washer or the paired gun.
- The speed of the pressure washer could be adjusted when the washer is powered on or during spraying.
- Every time the speed button is pressed, the speed will toggle among high level, TURBO level and low level. The speed indicator displays one green light, two green lights, or three green lights to indicate the pressure washer running at low speed, high speed, or TURBO speed, respectively.

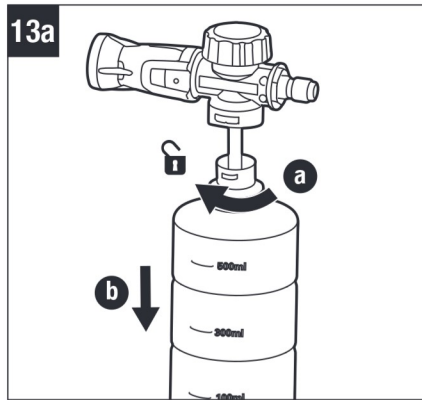
NOTE: WHEN ONLY ONE BATTERY PACK IS INSERTED, THE TURBO SPEED COULD NOT BE ACHIEVED AND EVERY TIME THE SPEED BUTTON IS PRESSED, THE SPEED WILL TOGGLE BETWEEN HIGH LEVEL AND LOW LEVEL.

NOTE: If the pressure washer keeps operating at TURBO speed, the runtime per charge may be affected.

CLEANING WITH DETERGENT (Fig. 13)

⚠ WARNING: Only use detergents specifically made for use with pressure washers. Comply with the application, disposal, and safety instructions of the detergent manufacturer.

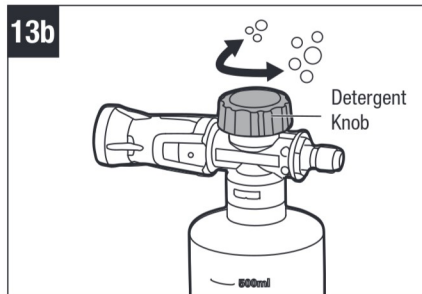
1. Turn the bottle of the foam cannon counterclockwise and remove it (Fig. 13a).
2. Pour detergent into the bottle.



NOTICE: The temperature of the detergent should not exceed 140 °F (60 °C).

3. Replace the foam cannon and connect it to the quick-coupler of the gun.
4. Rotate the detergent knob to adjust the amount of detergent added to the water flow according to your needs (Fig. 13b).

5. Open the water faucet or immerse the siphon hose filter and quick-coupler joint fully into the water bucket, start the pressure washer and spray the detergent on a dry surface using long, even, overlapping strokes. To prevent streaking, do not allow detergent to dry on the surface.



NOTE: It is recommended to select low speed for gentle cleaning.

MAINTENANCE

⚠ WARNING: To prevent serious personal injury, remove the battery pack from the product before servicing, cleaning, changing attachments, or removing material from the unit.

⚠ WARNING: When servicing, use only identical replacement parts. Use of any parts that do not meet the original equipment specifications may create a hazard or cause product damage. To ensure safety and reliability, all repairs should be performed by a qualified service technician.

NOTICE: Periodically inspect the entire product for damaged, missing, or loose parts such as screws, nuts, bolts, caps, etc. Tighten securely all fasteners and caps and do not operate this product until all missing or damaged parts are replaced.

GENERAL MAINTENANCE

Avoid using solvents when cleaning plastic parts. Most plastics are susceptible to damage from various types of commercial solvents and may be damaged by their use. Use clean cloth to remove dirt, dust, oil, grease, etc.

⚠ WARNING: Do not at any time let brake fluids, gasoline, petroleum-based products, penetrating oils, etc., come in contact with plastic parts. Chemicals can damage, weaken or destroy plastic which may result in serious personal injury.

REPLACING THE COIN CELL BATTERY (Fig. 14)

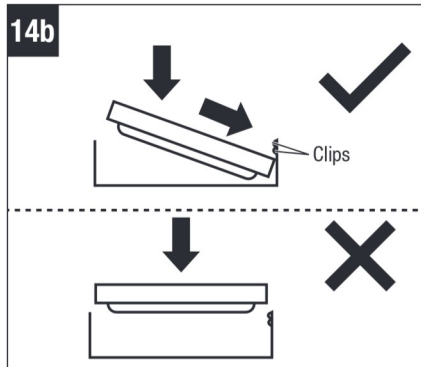
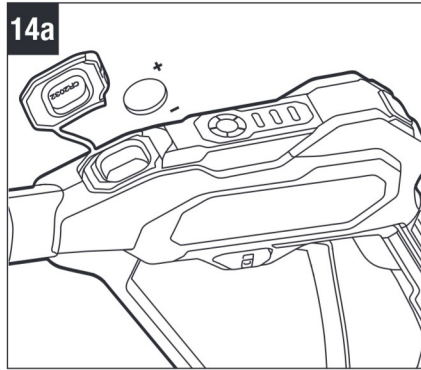
When the remote control and LED indicators on the gun stop working, the battery capacity is low.

1. Open the battery cover and remove the old battery (Fig. 14a).
2. Observing the correct polarity (+ and -), tilt the new battery and insert it below the two clips in the battery compartment first, then push the battery into the compartment (Fig. 14b).

NOTICE: Never push the battery directly into the compartment. Otherwise, the two clips will be damaged, causing failure of the gun remote control.

3. Close the cover.

NOTE: You will need to again pair the gun with the pressure washer after the coin cell battery is replaced following the instructions in the section “**Short Pressure Gun Pairing**”.



Required Battery	Model
Coin cell (button cell) Battery	CR2032

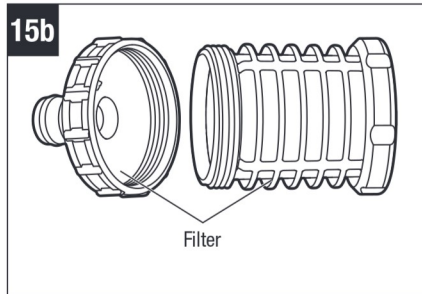
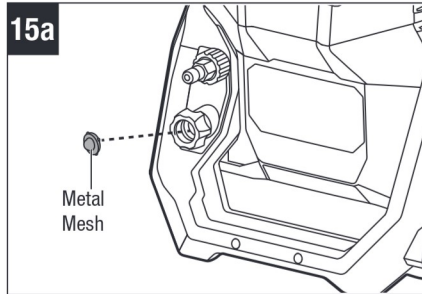
⚠ WARNING: Chemical Burn Hazard. Do not ingest battery. Keep new and used batteries away from children. If you think batteries might have been swallowed or placed inside any part of the body, seek immediate medical attention.

This product contains a lithium coin/button cell battery. If a new or used lithium coin/button cell battery is swallowed or enters the body, it can cause severe internal burns and can lead to death in as little as 2 hours.

⚠ WARNING: Always completely secure the battery compartment. If the battery compartment does not close securely, stop using the product, remove the batteries, and keep it away from children.

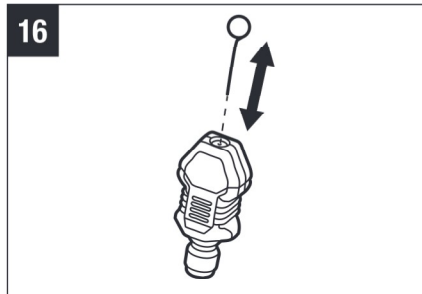
CLEANING THE FILTERS (Fig. 15)

- Take out the metal mesh from the water inlet port, rinse the metal mesh or replace it if necessary (Fig. 15a).
- When using a water bucket as the water source for the pressure washer, check and clean the filter periodically. Remove the filter from the quick-coupler of the siphon hose, screw out the filter, and then rinse it thoroughly (Fig. 15b).



CLEANING THE NOZZLES (Fig. 16)

When the holes of the nozzles are blocked, you may use the provided nozzle cleaning needle to pass through the holes and remove blockage.

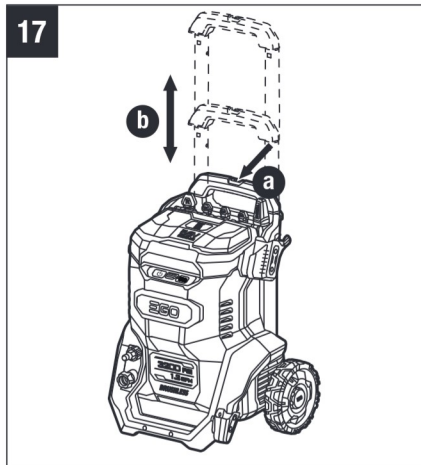


TRANSPORTING THE PRESSURE WASHER (Fig. 17)

⚠ WARNING: Always remove the battery pack from the pressure washer when transporting. Removing the battery pack will prevent accidental starting that could cause serious personal injury.

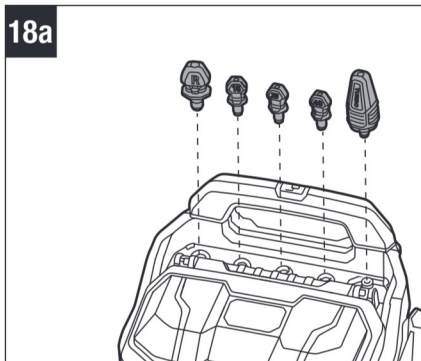
Press the handle lock button, and then pull out the telescopic handle to the first length level until you hear a “click”. If desired, you may press the handle lock button, and then pull the telescopic handle out to the second length level.

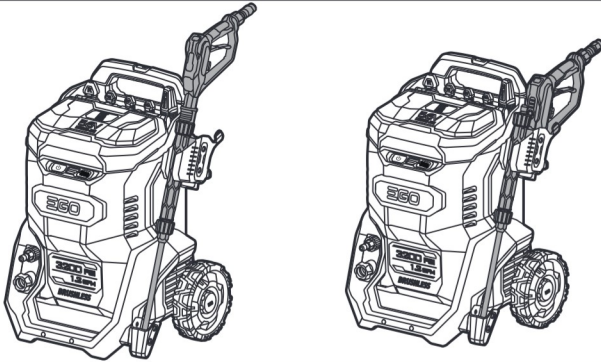
When the telescopic handle is not used, press the handle lock button and then push the telescopic handle all the way down.



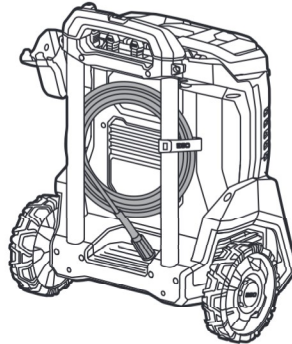
STORING THE PRESSURE WASHER (Fig. 18)

1. Stop the pressure washer, release pressure, empty water, and remove the battery pack from the pressure washer following the instructions in the section “**To Stop the Pressure Washer**”.
2. Store nozzles in the nozzle storage area of the pressure washer (Fig. 18a).
3. Store the gun, lance, and wand assembly into the holder brackets or disconnect the gun and store it in the upper holder brackets (Fig. 18b).



18b


4. Roll up the high-pressure hose, store it behind the telescopic handle and secure it using the hose holder strap (Fig. 18c).
5. Clean the pressure washer thoroughly before storing it.
6. Store the pressure washer in a dry, well-ventilated area, locked-up or up high, out of the reach of children. Do not store the pressure washer on or adjacent to fertilizers, gasoline, or other chemicals.

18c


WINTERIZING THE PRESSURE WASHER

Winterizing a pressure washer is essential to protect from freezing temperatures, which can cause damage to the pump, hoses, and other components.

1. **Turn off the pressure washer.** Make sure the pressure washer is turned off and the battery packs are removed.
2. **Release pressure.** Squeeze the trigger on the gun to release any remaining pressure in the system. This could prevent the pressure build-up during the winterization process.
3. **Disconnect hoses and accessories.** Remove all hoses, gun, and other accessories from the pressure washer. Drain any water from the hoses by holding them in a vertical position allowing the water to drain out.

4. **Connect a pressure washer pump protector (sold separately) to the water inlet port for treatment.**
5. **Use a pressure washer pump protector and dispense the liquid.** Once the liquid exits the water outlet port, your pressure washer is protected and winterized.

TROUBLESHOOTING

PROBLEM	CAUSE	SOLUTION
The pressure washer fails to be powered on.	<ul style="list-style-type: none"> ■ Battery pack charge is low. 	<ul style="list-style-type: none"> ■ Charge the battery pack.
	<ul style="list-style-type: none"> ■ Battery pack is not installed properly. 	<ul style="list-style-type: none"> ■ Slide the battery pack into the battery compartment until it snaps into position.
The TURBO speed could not be activated.	<ul style="list-style-type: none"> ■ Only one battery pack is used for the washer operation. 	<ul style="list-style-type: none"> ■ Use two 5.0Ah or greater Ah battery packs.
The pressure washer pump stops working and the speed indicator on the washer flashes three green lights.	<ul style="list-style-type: none"> ■ The pressure washer or the battery pack(s) are over temperature. 	<ul style="list-style-type: none"> ■ Wait until the pressure washer or battery pack(s) return to the operating temperature and then restart the washer.
	<ul style="list-style-type: none"> ■ The nozzle is blocked. 	<ul style="list-style-type: none"> ■ Use the nozzle cleaning needle to pass through the holes.
	<ul style="list-style-type: none"> ■ No water flows into the siphon hose. 	<ul style="list-style-type: none"> ■ Check and ensure there is water flowing into the siphon hose properly.
	<ul style="list-style-type: none"> ■ Battery pack charge is low. 	<ul style="list-style-type: none"> ■ Charge the battery pack.
	<ul style="list-style-type: none"> ■ Other electronic fault(s). 	<ul style="list-style-type: none"> ■ Contact EGO customer service.

PROBLEM	CAUSE	SOLUTION
<p>The water flow is low during spraying.</p>	<ul style="list-style-type: none"> ■ The filter is blocked partially. 	<ul style="list-style-type: none"> ■ Clean the filter.
	<ul style="list-style-type: none"> ■ The metal mesh in the water inlet port is blocked partially. 	<ul style="list-style-type: none"> ■ Remove and clean the metal mesh.
	<ul style="list-style-type: none"> ■ The filter and quick-coupler joint of the siphon hose is not fully immersed into water. 	<ul style="list-style-type: none"> ■ Fully immerse the filter and quick-coupler joint into water.
	<ul style="list-style-type: none"> ■ The siphon hose is folded. 	<ul style="list-style-type: none"> ■ Unfold the siphon hose or replace it.
	<ul style="list-style-type: none"> ■ Water is dirty. 	<ul style="list-style-type: none"> ■ Use only clean water.
	<ul style="list-style-type: none"> ■ The high-pressure hose is blocked. 	<ul style="list-style-type: none"> ■ Remove the nozzle, and then start water spraying from the hose to clear the blockage of the hose.
<p>There's no water spraying out.</p>	<ul style="list-style-type: none"> ■ There is no water supply. 	<ul style="list-style-type: none"> ■ Check and ensure the washer is connected to the water supply properly.
	<ul style="list-style-type: none"> ■ The filter is blocked completely. 	<ul style="list-style-type: none"> ■ Clean the filter.
	<ul style="list-style-type: none"> ■ The metal mesh in the water inlet port is block completely. 	<ul style="list-style-type: none"> ■ Remove and clean the metal mesh.
	<ul style="list-style-type: none"> ■ The nozzle is blocked. 	<ul style="list-style-type: none"> ■ Use the nozzle cleaning needle to pass through the holes.
	<ul style="list-style-type: none"> ■ Pump, hoses, or other components are frozen. 	<ul style="list-style-type: none"> ■ Wait until they are thawed.
<p>The water flow is not stable.</p>	<ul style="list-style-type: none"> ■ Air flows into the washer. 	<ul style="list-style-type: none"> ■ Check and ensure the siphon hose is connected properly.
	<ul style="list-style-type: none"> ■ Pump seals are worn. 	<ul style="list-style-type: none"> ■ Contact EGO customer service.

PROBLEM	CAUSE	SOLUTION
<p>The water spraying starts or stops automatically.</p>	<ul style="list-style-type: none"> ■ The high-pressure hose is damaged. 	<ul style="list-style-type: none"> ■ Replace with new high-pressure hose.
	<ul style="list-style-type: none"> ■ There's water leakage from the gun. 	<ul style="list-style-type: none"> ■ Contact EGO customer service.
	<ul style="list-style-type: none"> ■ Pump seals, hose seals are worn. 	
<p>The gun cannot control the washer.</p>	<ul style="list-style-type: none"> ■ The position of the gun is beyond wireless connection range. 	<ul style="list-style-type: none"> ■ Take the gun closer to the pressure washer.
	<ul style="list-style-type: none"> ■ The coin cell (button cell) battery charge is low. 	<ul style="list-style-type: none"> ■ Replace with a new coin cell (button cell) battery.
	<ul style="list-style-type: none"> ■ The gun is not paired properly. 	<ul style="list-style-type: none"> ■ Complete the pairing following the instructions in the section "Short Pressure Gun Pairing".
	<ul style="list-style-type: none"> ■ Coin cell battery is not installed properly. 	<ul style="list-style-type: none"> ■ Install the coin cell battery following the instructions in the section "REPLACING THE COIN CELL BATTERY".



EGO LIMITED WARRANTY

WARRANTY POLICY TERMS AND DURATION

Chervon North America, Inc. ("Chervon North America") provides the following Limited Warranty for EGO products to the original purchaser of EGO products.

The detailed warranty period for each EGO product can be found online at <http://egopowerplus.com/warranty-policy>.

Please contact EGO Customer Service Toll-Free at 1-855-EGO-5656 any time you have questions or warranty claims or would like a hard copy of the warranty.

LIMITED SERVICE WARRANTY

EGO products are warranted against defects in material or workmanship from the date of original retail purchase for the applicable warranty period. For any properly and timely submitted warranty claim, if Chervon North America determines a product to be defective during the warranty period, the product will receive free repair or replacement as determined by Chervon North America.

HOW TO OBTAIN SERVICE

For warranty service, within the applicable warranty period, please contact EGO customer service toll-free at **1-855-EGO-5656**. When requesting warranty service, you must present the original dated sales receipt. An authorized service center will be selected to evaluate and repair the product if defective according to the stated warranty terms. When bringing your product to the authorized service center, there may be a small deposit that will be required when dropping off your tool. This deposit is refundable when the repair service is deemed to be covered under warranty.

ADDITIONAL LIMITATIONS & EXCLUSIONS

This limited warranty applies only to the original purchaser from an authorized EGO retailer and is not transferable. EGO products shall not be considered defective, and this warranty will not apply, where the claimed defect is attributable to any cause other than the above-defined defects. This warranty shall be void if the product has been used for rental purposes. This warranty shall not apply to damage caused by accident, abuse, misuse, alteration, modification, unauthorized repair, liquid contact, fire, earthquake or other external cause; operating the product outside EGO's instructions, specifications or guidelines; or failure to properly service or maintain the product. This warranty also