
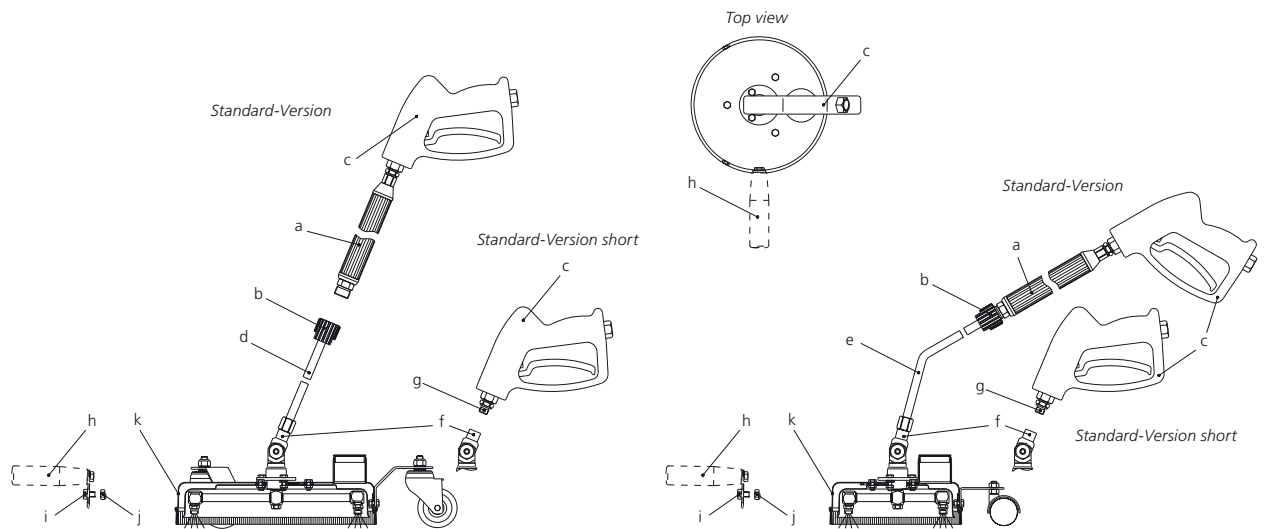


## Assembly instructions

 (This instruction is valid for the base model as well as for the resulting versions)




### Standard-Version

1. Install the lance (a) to the quick-connect (b).

### Standard-Version short

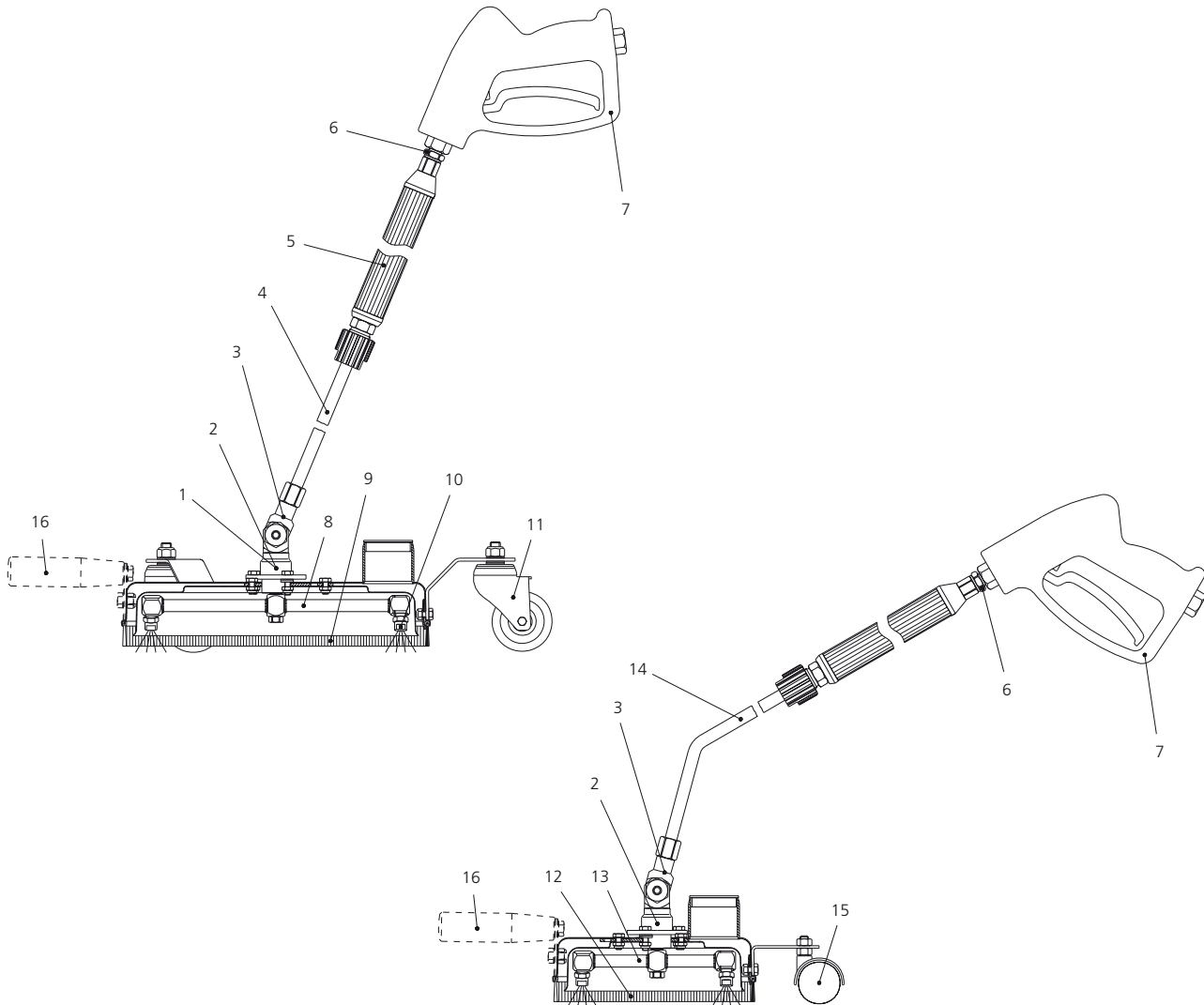
1. To use the short version, detach the HP-gun (c) from the lance (a).
2. Detach the extension piece (d/e) including lance (a) from the toggle swivel (f).
3. Install the HP-gun (c) with the preinstalled adaptor (g) to the toggle swivel (f).
4. Use screw (i) and safety nut (j) to install the handle (h) to the housing (k) / (Pos. h, i, j = accessories).

 Note: Install the HP-gun (c) in a 90° angle to the handle (h / accessories) / (see top view).

### For your own safety

- Read all instructions before the initial operation. Check their proper condition and that they operate safely.
- Always use protection gear when using products connected to high pressure.
- Before any maintenance or nozzle-change, turn off the high pressure water supply, e.g.: turn off and secure the power switch.
- After turning off the system, allow all self propelled equipment to come to a complete stop before handling.
- Safety regulations and guidelines (Accident Prevention Rules) from the manufacturer of your high pressure cleaner are applicable.
- Nozzle installation according to nozzle manufacturer.
- Do not move the unit over objects or uneven surfaces.
- Do not lift up the unit while operating.
- Do not run the unit if spray-arm is out of balance or bent, damage to the swivel will result.
- No modifications to the unit are permitted.
- The equipment may be installed and used only by particularly trained technical personnel.

**Spare parts List**



Pos.	Part No.	Description	
1	58.908	Toggle Swivel KDYF	
2	36.906	Carbide seal-kit	
3	42.904	KGK seal-kit	
4	78.908	Extension	
5	78.907	HD-wand	
6	51.103	Adaptor	G1/4"M - 1/4"NM
7	29.081	HP-gun 5000 psi	
8	82.623	Turbo-rotor-arm	Dia. 10"
9	901.492	Brush ring for Dia. 12"	
10	1503	HP-nozzle	
11	80.943	Stainless steel caster	
12	901.490	Brush ring for Dia. 8"	
13	82.621	Turbo-rotor-arm	Dia. 6"
14	78.955	Extension bend	
15	80.922	Plastik caster	

**Accessories**

Pos.	Part No.	Description
16	78.945	Handle