

## SAFETY PRECAUTIONS

1. Make sure incoming pressure does not exceed the rated pressure.
2. Use proper eye protection when assembling and using hose reels.
3. Assemble the hose reel kit on a clean workbench free of debris and moisture.
4. Use soap and water when checking for air leaks.
5. Keep children away from work area.

### **WARNING!**

*Exposure of skin directly to pressurized air or fluids could result in severe bodily injury!*

Ref 310094 Rev. B  
10-17

**General Pump**  
1174 Northland Drive • Mendota Heights, MN 55120  
Phone: 651.686.2199 • Fax: 800.535.1745  
www.generalpump.com • email: sales@gpcompanies.com



# HOSE REEL STACKING KIT FROM GENERAL PUMP

## 2100437

- KIT FITS DHRA50150 AND DHRA50300 AND DHRA50450 (HOSE REELS NOT INCLUDED)
- STACK UP TO FOUR HIGH
- STAINLESS STEEL HARDWARE
- POWDER COATED
- SOLID STEEL CONSTRUCTION

## INSTRUCTIONS

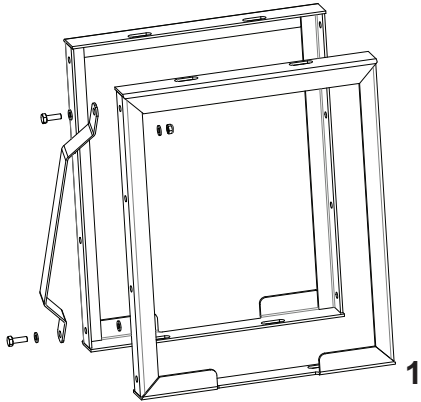
Ref 310094 Rev. B  
10-17



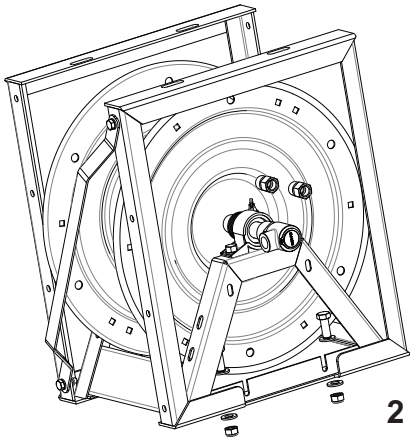
General Pump  
is a member of  
The Interpump Group



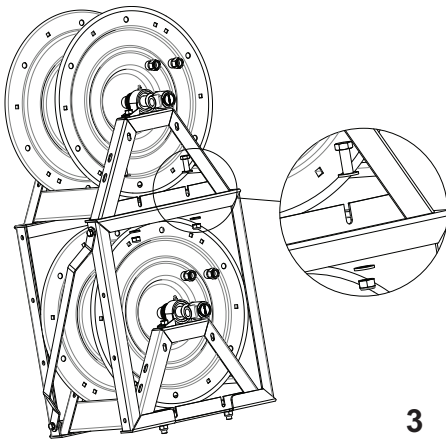
# ASSEMBLY INSTRUCTIONS



1) It's easiest if the BRACE is bolted to the ASSEMBLY FRAME first. If you have a DHRA50300 use the brace p/n 2540095; if you have a DHRA50150 use the brace p/n 2540096, if you have a DHRA50450 use the brace p/n 2540105. Do not tighten these bolts yet. Use (2) M8 nuts and bolts and (4) M8 washers. Be sure the cutout in the frame is on the bottom.



2) Bolt your hose reel to the ASSEMBLY FRAME/BRACE assembly. Use (4) M10 nuts and bolts and (8) M10 washers. Make sure the hose reel outlet (where the hose connects) faces away from the BRACE.

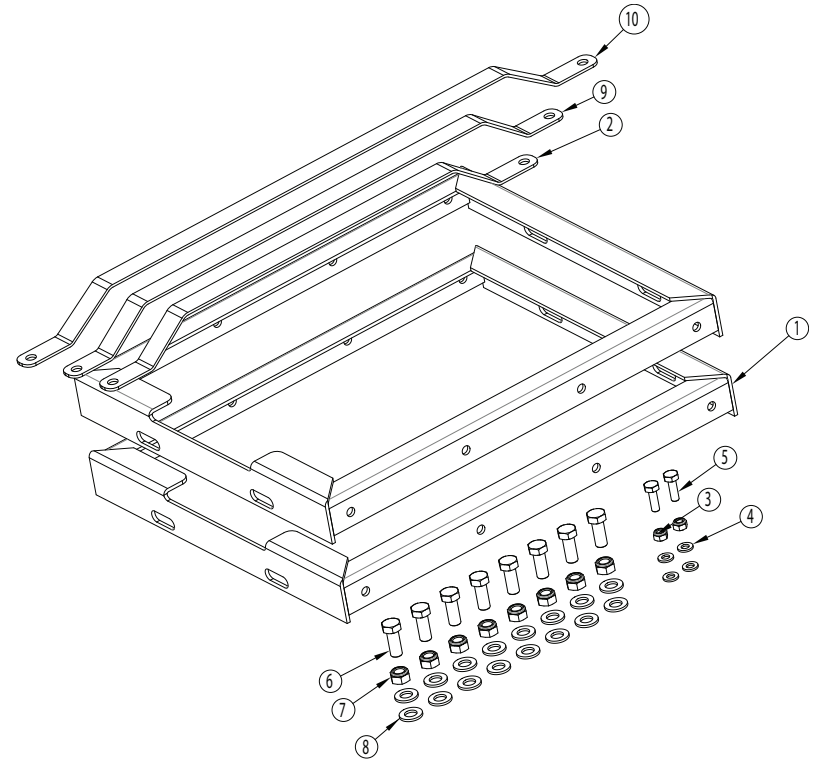


3) Bolt your second hose reel the ASSEMBLY FRAME/BRACE/ HOSE REEL assembly. Again, use (4) M10 nuts and bolts and (8) M10 washers.

4) Go back and tighten the BRACE bolts.

5) If you have three hose reels to stack, set the second ASSEMBLY FRAME on top of the bottom frame, then attach the hose reel to that frame.

6) Repeat step five for stacking four hose reels.



## 2100437 PARTS LIST

Item #	Part #	Description	QTY
1	2103272	ASSY, FRAME, KIT	2
2	2540096	BRACE, DIAGONAL, 150	1
3	2200053	NUT, M8X1.25, SS	2
4	2200013	WASHER, M8, SS	4
5	2200056	HHCS, M8X1.25X25 SST	2
6	2200108	HHCS, M12 X 1.75	8
7	2203019	NUT, M12, NYLOK, SST	8
8	2203418	WASHER, FLAT, M10	16
9	2540095	BRACE, DIAGONAL, 300	1
10	2540105	BRACE, DIAGONAL, 450	1