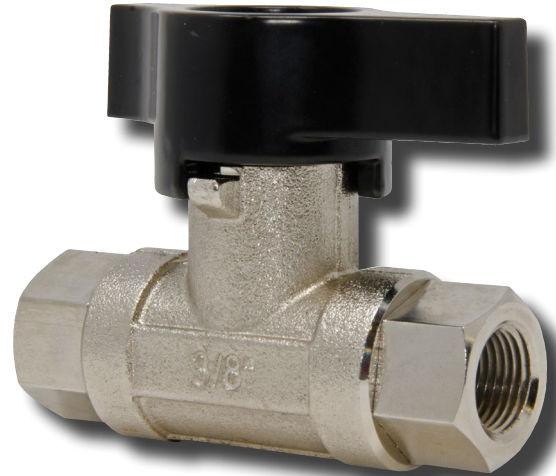


**SPECIFICATIONS**

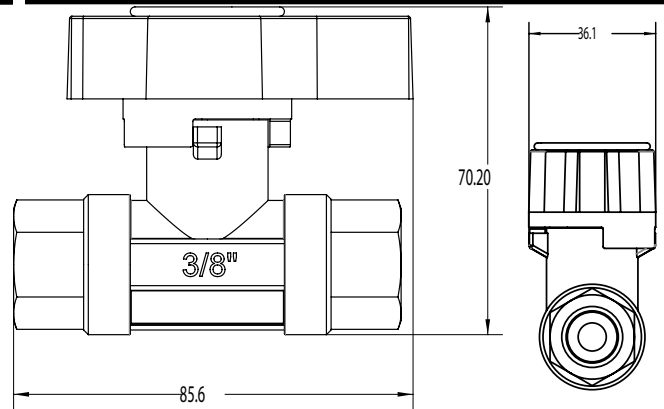
<b>Part Number</b>	<b>DBV501238</b>	
Maximum Pressure	5000 PSI	
Maximum Flow	12.0 GPM	
Maximum Temperature	180°F	
Port Sizes:	Inlet	3/8" NPT-F
	Outlet	3/8" NPT-F
Dimensions	3.5" L x 2.8" H x 1.4" W	
Weight	17 oz.	
Materials	Plated steel, Plastic, Teflon	



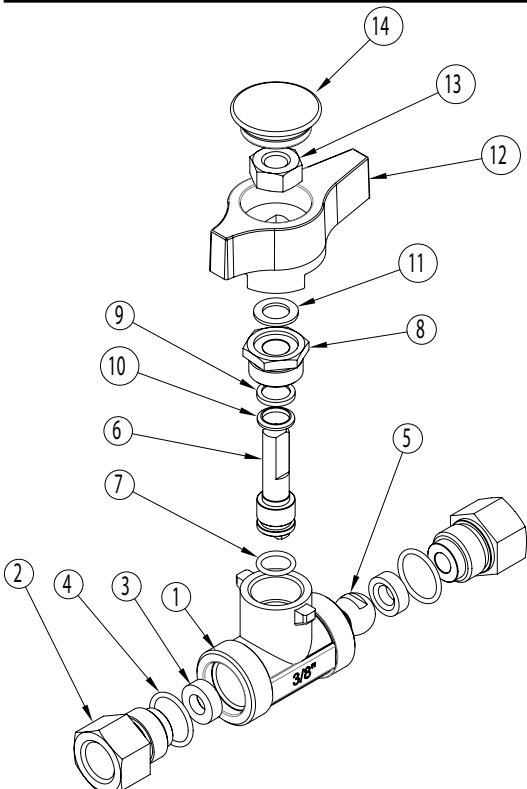
**FEATURES**

- Straight through, full flow design
- Durable, comfortable handle
- Can be panel mounted in any position

**DIMENSIONS**



**PARTS LIST**



ITEM	PART #	DESCRIPTION	QTY
1	2454003	BODY	1
2	2530158	FITTING, 3/8NPT-F	2
3	2660375	SEAT	2
4	2701040	O-RING	2
5	2520163	BALL	1
6	2530159	STEM	1
7	2701055	O-RING	1
8	2530160	FITTING, STEM	1
9	2660376	WASHER, POM	1
10	2660377	WASHER, POM	1
11	2660378	WASHER, TEFLON	1
12	2450014	KNOB	1
13	2530161	NUT, M10	1
14	2660379	CAP, KNOB	1

MISC. VALVES

MISC. VALVES