

**GENERAL PUMP** *A member of the Interpump Group*

# Pumps Made Ready

## PMRPEP1313G8 Triplex Plunger Pump

### FEATURES

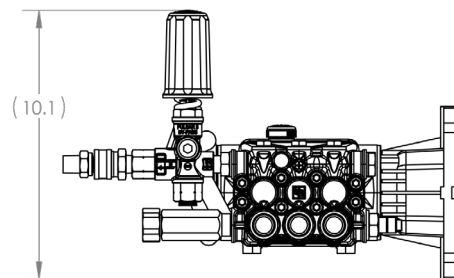
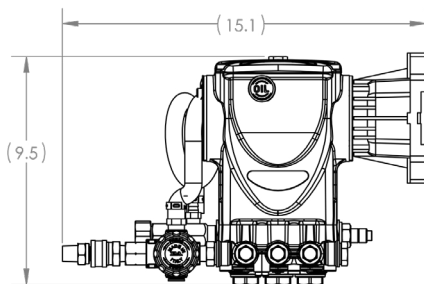
- Pump is ready to use right out of the box
- EP1313G8 Pump with SAE J609B Gas Flange
- PULSAR4KHPEZ Unloader, 4050 PSI, 10 GPM
- 3/8" Quick Coupler and 3/8" Plug Included
- 3/4" Garden Hose Inlet Fitting with 1/4" Side Port
- 3/8" Hose Barb and Clamp Keeps Hose Secure and Sealed



### SPECIFICATIONS

Pump Model	EP1313G8
Maximum Volume	4.0 GPM
Maximum Discharge Pressure	4000 PSI
Maximum Pump Speed	3400 RPM
Maximum Inlet Pressure	125 PSI
Maximum Inlet Vacuum	3 ft. water (2.6 in. Hg)
Plunger Bore	.512 in. / 13 mm
Plunger Stroke	.512 in. / 13 mm
Crankcase Oil Capacity	15.0 oz.
Maximum Fluid Temperature	165° F
Inlet Port Thread	1/2-14 BSPP-F
Discharge Port Thread	3/8-19 BSPP-F
Shaft Diameter	1.0 in. / 25.4 mm
Weight	15.9 lbs.
Dimensions	9.5" x 9.5" x 6.45"

### DIMENSIONAL DRAWING

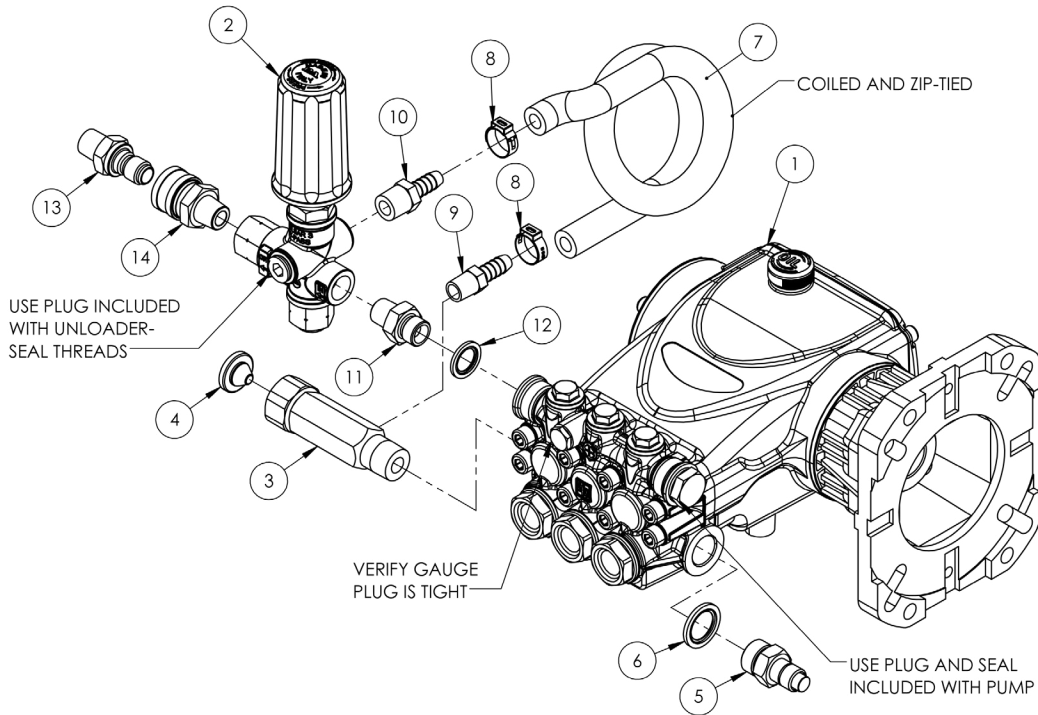


General Pump  
is a member of  
the Interpump Group



Ref 310124 Rev. A  
06-18





## PARTS LIST

Item No.	Part No.	Description	QTY.
1.	PEP1313G8	Pump, EP, 1" Hollow Shaft, 4000 PSI, 4 GPM, EZ, 3400 RPM, Gas Flange	1
2.	PULSAR4KHPEZ	Unloader, T.P., 4050 PSI, 10.5 GPM, EZ Start	1
3.	D10085	Inlet Fitting Assy, Long, 1/2" NPT-M x 3/4" GH, 1/4" Port	1
4.	700004	Filter Washer	1
5.	2100612MB	Valve, PTP, 1/2" BSPP-M 140-151 Deg, 145 PSI	1
6.	680110	Seal Ring, 1/2" BSPP	1
7.	639387	Hose, 3/8" ID, 250 PSI BLK	3
8.	639897	Hose Clamp, Crimp Type, 39/64" to 47/64", 9/32" WD	2
9.	638147	3/8" Hose Barb x 1/4" NPT	1
10.	638148	3/8" Hose Barb x 3/8" NPT	1
11.	639298	Adapter, Hex, 3/8" BSPP-M x 3/8" NPT, Steel, 5000 PSI	1
12.	680029	Washer, Face Seal, 3/8" BSP	1
13.	D11009	Plug, 3/8" QC x 3/8" NPT-M, Zinc Plated Steel, Hardened	1
14.	D10004	Coupler, 3/8" QC x 3/8" NPT-M, Brass	1
15.	400128	Warning Label, Prop 65, 1.5" x.25" WD	1