

# Electric Airless Sprayers

334567B

EN

***For professional use only.***

***Not approved for use in explosive atmospheres or hazardous locations.***

***For portable airless spraying of architectural paints and coatings.***

## **190/290/390 PC Classic Models:**

*3000 psi (207 bar, 20.7 MPa) Maximum Working Pressure*

*3300 psi (228 bar, 22.8 MPa) Maximum Working Pressure*

See page 3 for additional model information.



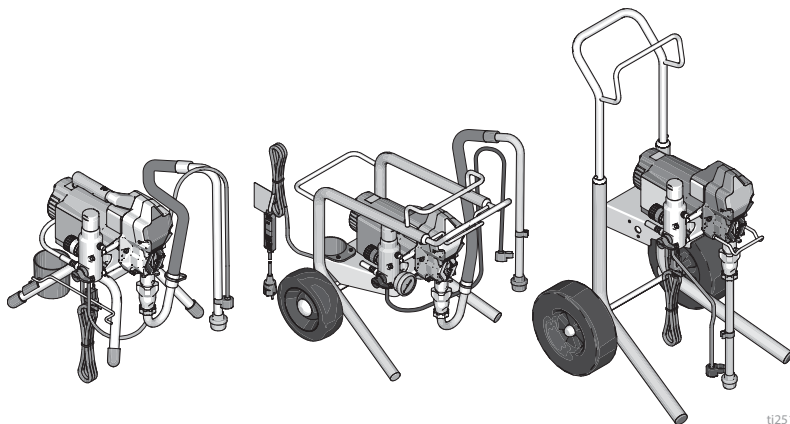
## **Important Safety Instructions**

Read all warnings and instructions in this manual and related manuals. Be familiar with the controls and the proper usage of the equipment. Save these instructions.

### **Related Manuals**

**311861 (Contractor/FTx) 312830 (SG3)**

**334599 (Pump)**









*Use only genuine Graco replacement parts.*

*The use of non-Graco replacement parts may void warranty.*

## Contents

<b>Models</b> .....	<b>3</b>
<b>Warnings</b> .....	<b>4</b>
<b>Component Identification</b> .....	<b>8</b>
Stand Models .....	8
Lo-Boy Models .....	9
Hi-Boy Models .....	10
<b>Grounding</b> .....	<b>11</b>
Power Requirements .....	11
Extension Cords .....	11
Pails .....	11
<b>Pressure Relief Procedure</b> .....	<b>12</b>
Trigger Lock .....	13
<b>Setup</b> .....	<b>14</b>
<b>Startup</b> .....	<b>17</b>
<b>Operation</b> .....	<b>19</b>
Spray Tip Installation .....	19
Spray .....	19
Clear Tip Clog .....	20
Cleanup .....	21
<b>Maintenance</b> .....	<b>24</b>
<b>Troubleshooting</b> .....	<b>25</b>
Mechanical/Fluid Flow .....	25
Electrical .....	28
<b>190, 290, 390 Stand Sprayers Parts</b> .....	<b>32</b>
190, 290, 390 Stand Sprayers Parts List .....	34
<b>390 Lo-Boy Sprayer Parts</b> .....	<b>35</b>
390 Lo-Boy Sprayer Parts List .....	37
<b>190, 290, 390 Hi-Boy Sprayers Parts</b> .....	<b>38</b>
190, 290, 390 Hi-Boy Sprayers Parts List .....	40
<b>Accessories and Labels</b> .....	<b>41</b>
<b>Control Box and Filter</b> .....	<b>42</b>
Control and Filter Parts List .....	43
<b>Wiring Diagrams</b> .....	<b>44</b>
120V, US/Japan .....	44
110V, UK / 230V .....	45
<b>Technical Specifications</b> .....	<b>46</b>
<b>Graco Standard Warranty</b> .....	<b>48</b>
<b>Graco Information</b> .....	<b>49</b>

Models

	VAC	Model	Stand 	Lo-Boy 	Hi-Boy 
 Intertek 110474 Certified to CAN/CSA C22.2 No. 68 Conforms to UL 1450	120 USA	190 Express	17A322		
		390 PC	17C310		17C313
		NOVA 390 PC	826195		
	120 Japan/Taiwan	390 PC	17C385		
	230 South America	190 Express	17C117		
	230 CEE 7/7	190 Express	17A323		
		190 PC Classic	17C438		17C342
		290 PC Classic	17C344		17C343
	230 Europe Multi	390 PC Classic	17C348		17C349
		390 PC Classic	17C346		17C351
110 UK	190 PC Classic	17C341			
	390 PC Classic	17C347		17C350	
	230 Asia/ANZ	190 Express	17C384		
		390 PC	17C386	17C387	17C388
	230 China	390 PC Classic	17C389		

## Warnings

The following warnings are for the setup, use, grounding, maintenance, and repair of this equipment. The exclamation point symbol alerts you to a general warning and the hazard symbols refer to procedure-specific risks. When these symbols appear in the body of this manual or on warning labels, refer back to these Warnings. Product-specific hazard symbols and warnings not covered in this section may appear throughout the body of this manual where applicable.

### **WARNING**



#### **GROUNDING**

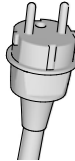
This product must be grounded. In the event of an electrical short circuit, grounding reduces the risk of electric shock by providing an escape wire for the electric current. This product is equipped with a cord having a grounding wire with an appropriate grounding plug. The plug must be plugged into an outlet that is properly installed and grounded in accordance with all local codes and ordinances.

- Improper installation of the grounding plug is able to result in a risk of electric shock.
- When repair or replacement of the cord or plug is required, do not connect the grounding wire to either flat blade terminal.
- The wire with insulation having an outer surface that is green with or without yellow stripes is the grounding wire.
- Check with a qualified electrician or serviceman when the grounding instructions are not completely understood, or when in doubt as to whether the product is properly grounded.
- Do not modify the plug provided; if it does not fit the outlet, have the proper outlet installed by a qualified electrician.
- This product is for use on a nominal 110V, 120V, or 230V circuit and has a grounding plug similar to the plugs illustrated below.

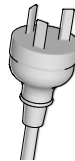
120V US



230V



230V ANZ



ti24583a

- Only connect the product to an outlet having the same configuration as the plug.
- Do not use an adapter with this product.

#### **Extension Cords:**

- Use only a 3-wire extension cord that has a grounding plug and a grounding receptacle that accepts the plug on the product.
- Make sure your extension cord is not damaged. If an extension cord is necessary use 12 AWG (2.5mm<sup>2</sup>) minimum to carry the current that the product draws.
- An undersized cord results in a drop in line voltage and loss of power and overheating.




**WARNING**
**FIRE AND EXPLOSION HAZARD**

Flammable fumes, such as solvent and paint fumes, in work area can ignite or explode. To help prevent fire and explosion:

- Do not spray flammable or combustible materials near an open flame or sources of ignition such as cigarettes, motors, and electrical equipment.
- Paint or solvent flowing through the equipment is able to result in static electricity. Static electricity creates a risk of fire or explosion in the presence of paint or solvent fumes. All parts of the spray system, including the pump, hose assembly, spray gun, and objects in and around the spray area shall be properly grounded to protect against static discharge and sparks. Use Graco conductive or grounded high-pressure airless paint sprayer hoses.
- Verify that all containers and collection systems are grounded to prevent static discharge. Do not use pail liners unless they are antistatic or conductive.
- Connect to a grounded outlet and use grounded extensions cords. Do not use a 3-to-2 adapter.
- Do not use a paint or a solvent containing halogenated hydrocarbons.
- Do not spray flammable or combustible liquids in a confined area.
- Keep spray area well-ventilated. Keep a good supply of fresh air moving through the area.
- Sprayer generates sparks. Keep pump assembly in a well ventilated area at least 20 feet (6.1 m) from the spray area when spraying, flushing, cleaning, or servicing. Do not spray pump assembly.
- Do not smoke in the spray area or spray where sparks or flame is present.
- Do not operate light switches, engines, or similar spark producing products in the spray area.
- Keep area clean and free of paint or solvent containers, rags, and other flammable materials.
- Know the contents of the paints and solvents being sprayed. Read all Material Safety Data Sheets (MSDS) and container labels provided with the paints and solvents. Follow the paint and solvents manufacturer's safety instructions.
- Fire extinguisher equipment shall be present and working.

# Warnings

## **WARNING**

### **SKIN INJECTION HAZARD**



High-pressure spray is able to inject toxins into the body and cause serious bodily injury. In the event that injection occurs, **get immediate surgical treatment**.



- Do not aim the gun at, or spray any person or animal.
- Keep hands and other body parts away from the discharge. For example, do not try to stop leaks with any part of the body.



- Always use the nozzle tip guard. Do not spray without nozzle tip guard in place.
- Use Graco nozzle tips.



- Use caution when cleaning and changing nozzle tips. In the case where the nozzle tip clogs while spraying, follow the **Pressure Relief Procedure** for turning off the unit and relieving the pressure before removing the nozzle tip to clean.



- Equipment maintains pressure after power is shut off. Do not leave the equipment energized or under pressure while unattended. Follow the **Pressure Relief Procedure** when the equipment is unattended or not in use, and before servicing, cleaning, or removing parts.
- Check hoses and parts for signs of damage. Replace any damaged hoses or parts.
- This system is capable of producing 3300 psi. Use Graco replacement parts or accessories that are rated a minimum of 3300 psi.
- Always engage the trigger lock when not spraying. Verify the trigger lock is functioning properly.
- Verify that all connections are secure before operating the unit.
- Know how to stop the unit and bleed pressure quickly. Be thoroughly familiar with the controls.



### **EQUIPMENT MISUSE HAZARD**

Misuse can cause death or serious injury.



- Always wear appropriate gloves, eye protection, and a respirator or mask when painting.
- Do not operate or spray near children. Keep children away from equipment at all times.
- Do not overreach or stand on an unstable support. Keep effective footing and balance at all times.
- Stay alert and watch what you are doing.
- Do not operate the unit when fatigued or under the influence of drugs or alcohol.
- Do not kink or over-bend the hose.
- Do not expose the hose to temperatures or to pressures in excess of those specified by Graco.
- Do not use the hose as a strength member to pull or lift the equipment.
- Do not spray with a hose shorter than 25 feet.
- Do not alter or modify equipment. Alterations or modifications may void agency approvals and create safety hazards.
- Make sure all equipment is rated and approved for the environment in which you are using it.

## **WARNING**



### **ELECTRIC SHOCK HAZARD**

This equipment must be grounded. Improper grounding, setup, or usage of the system can cause electric shock.



- Turn off and disconnect power cord before servicing equipment.
- Connect only to grounded electrical outlets.
- Use only 3-wire extension cords.
- Ensure ground prongs are intact on power and extension cords.
- Do not expose to rain. Store indoors.



### **PRESSURIZED ALUMINUM PARTS HAZARD**

Use of fluids that are incompatible with aluminum in pressurized equipment can cause serious chemical reaction and equipment rupture. Failure to follow this warning can result in death, serious injury, or property damage.

- Do not use 1,1,1-trichloroethane, methylene chloride, other halogenated hydrocarbon solvents or fluids containing such solvents.
- Do not use chlorine bleach.
- Many other fluids may contain chemicals that can react with aluminum. Contact your material supplier for compatibility.



### **MOVING PARTS HAZARD**

Moving parts can pinch, cut, or amputate fingers and other body parts.



- Keep clear of moving parts.
- Do not operate equipment with protective guards or covers removed.
- Pressurized equipment can start without warning. Before checking, moving, or servicing equipment, follow the **Pressure Relief Procedure** and disconnect all power sources.



### **TOXIC FLUID OR FUMES HAZARD**

Toxic fluids or fumes can cause serious injury or death if splashed in the eyes or on skin, inhaled, or swallowed.

- Read MSDSs to know the specific hazards of the fluids you are using.
- Store hazardous fluid in approved containers, and dispose of it according to applicable guidelines.



### **PERSONAL PROTECTIVE EQUIPMENT**

Wear appropriate protective equipment when in the work area to help prevent serious injury, including eye injury, hearing loss, inhalation of toxic fumes, and burns. This protective equipment includes but is not limited to:

- Protective eyewear, and hearing protection.
- Respirators, protective clothing, and gloves as recommended by the fluid and solvent manufacturer.

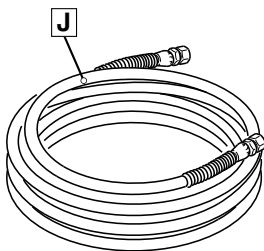
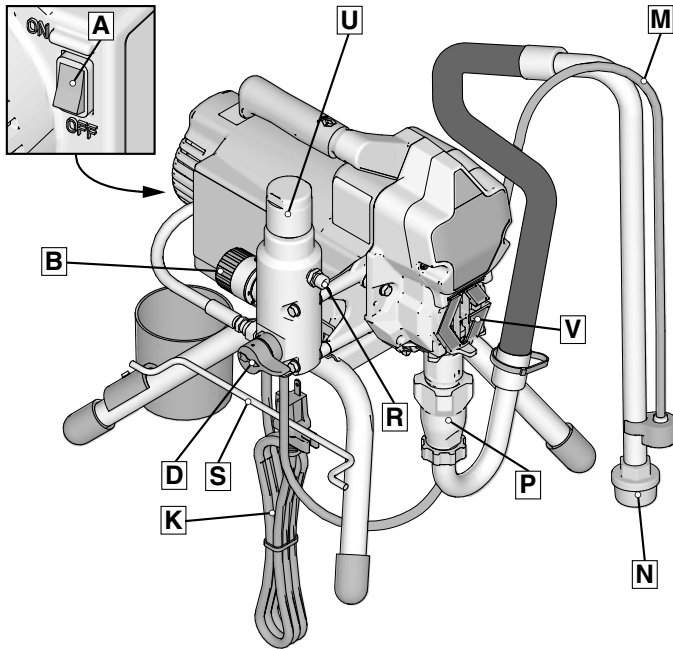
### **CALIFORNIA PROPOSITION 65**

This product contains a chemical known to the State of California to cause cancer, birth defects or other reproductive harm. Wash hands after handling.

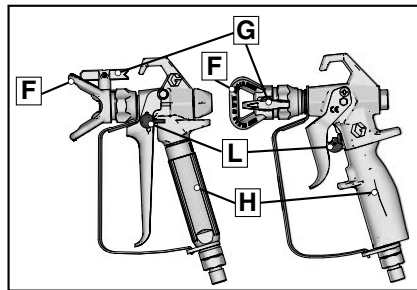
# Component Identification

## Component Identification

### Stand Models



ti24091a

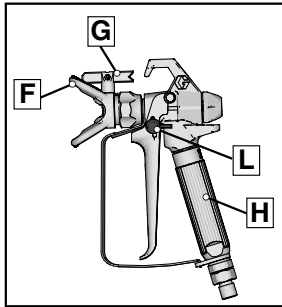
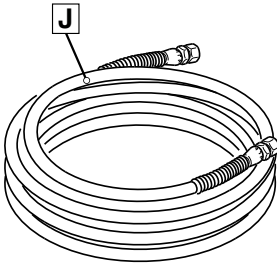
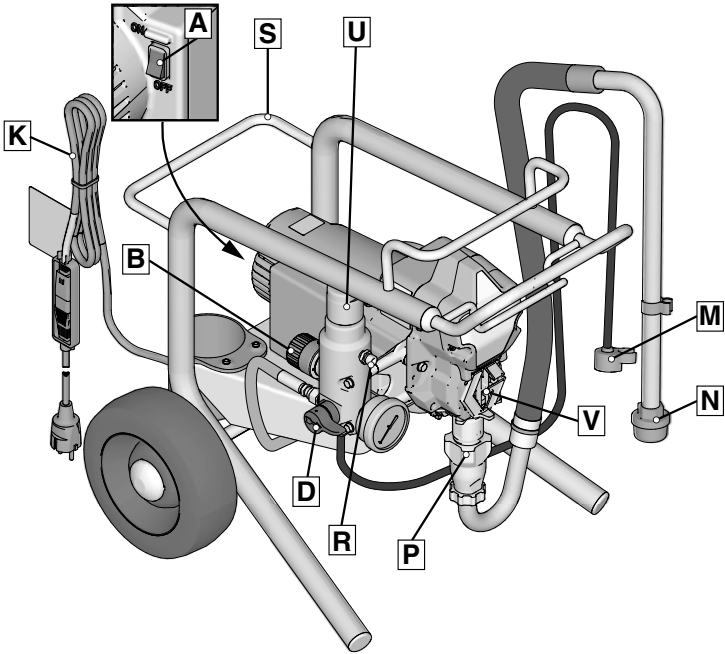


A	ON/OFF Switch
B	Pressure Control
D	Prime Valve
F	Tip Guard
G	Spray Tip
H	Gun
J	Airless Hose
K	Power Cord
L	Trigger Lock

M	Drain Tube
N	Fluid Intake
P	Pump
R	Fluid Outlet
S	Power Cord Wrap
U	Filter
V	Finger Guard / TSL Fill Point
	Model/Serial Tag (Not shown, located on bottom of unit.)

# Component Identification

## Lo-Boy Models



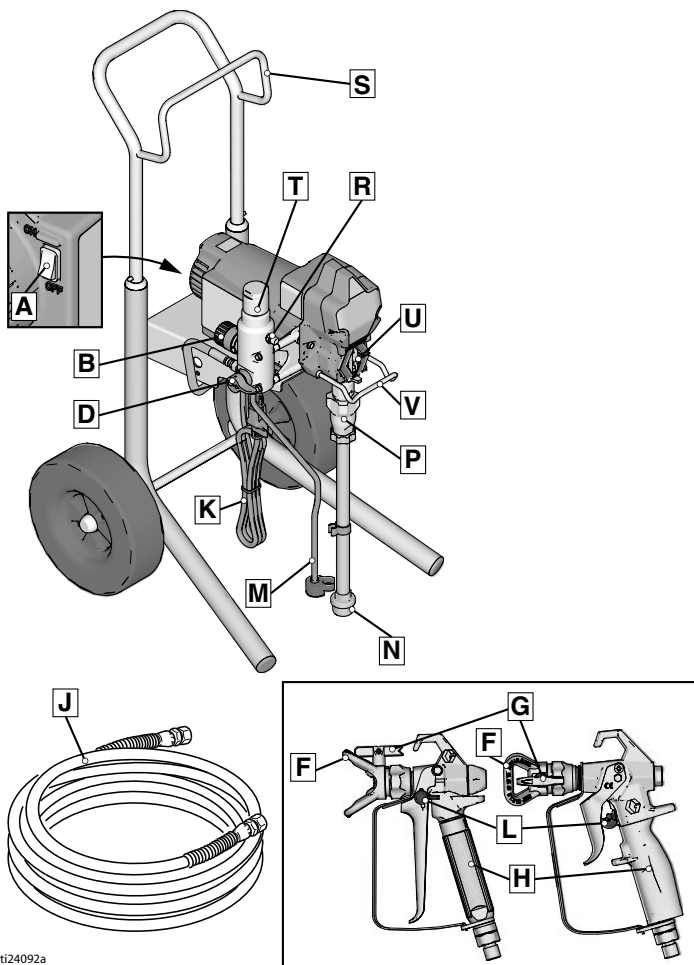
ti24093a

A	ON/OFF Switch
B	Pressure Control
D	Prime Valve
F	Tip Guard
G	Spray Tip
H	Gun
J	Airless Hose
K	Power Cord

L	Trigger Lock
M	Drain Tube
N	Fluid Intake
P	Pump
R	Fluid Outlet
U	Filter
V	Finger Guard / TSL Fill Point
	Model/Serial Tag (Not shown, located on bottom of unit.)

# Component Identification

## Hi-Boy Models



ti24092a

A	ON/OFF Switch
B	Pressure Control
D	Prime Valve
F	Tip Guard
G	Spray Tip
H	Gun
J	Airless Hose
K	Power Cord
L	Trigger Lock

M	Drain Tube
N	Fluid Intake
P	Pump
R	Fluid Outlet
S	Hanger
T	Filter
U	Finger Guard / TSL Fill Point
V	Pail Hook
	Model/Serial Tag (Not shown, located on bottom of unit.)

# Grounding



The equipment must be grounded to reduce the risk of static sparking and electric shock. An electric or static spark can cause fumes to ignite or explode. An improper ground can cause electric shock. A good ground provides an escape wire for the electric current.

This sprayer includes a ground wire with an appropriate ground contact.

The plug must be plugged into an outlet that is properly installed and grounded in accordance with all local codes and ordinances.

Do not modify the plug provided; if it does not fit the outlet, have the proper outlet installed by a qualified electrician.

## Power Requirements

- 110-120V units require 100-120 VAC, 50/60 Hz, 13A, 1 phase.
- 230V units require 230 VAC, 50/60 HZ, 8A, 1 phase.

## Extension Cords

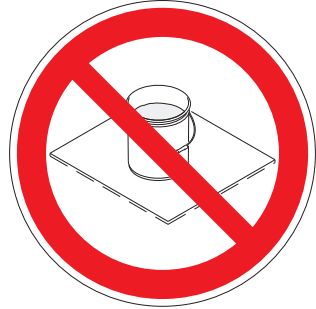
Use an extension cord with an undamaged ground contact. If an extension cord is necessary, use a 3-wire, 12 AWG (2.5 mm<sup>2</sup>) minimum.

**NOTE:** Smaller gauge or longer extension cords may reduce sprayer performance.

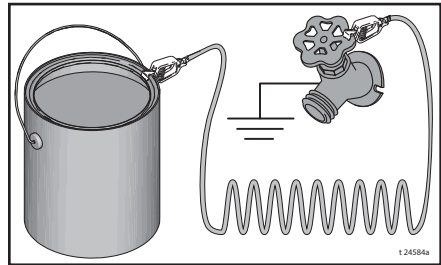
## Pails

**Solvent and oil-based fluids:** follow local code. Use only conductive metal pails, placed on a grounded surface such as concrete.

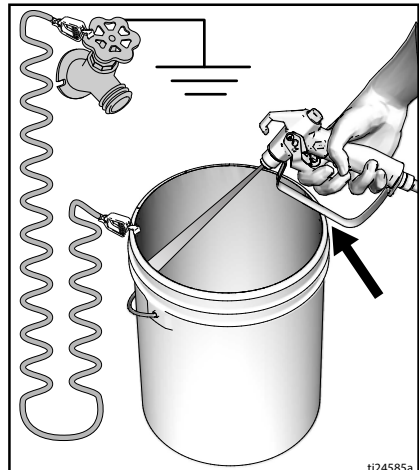
Do not place pail on a non-conductive surface such as paper or cardboard which interrupts grounding continuity.



**Always ground a metal pail:** connect a ground wire to the pail. Clamp one end to the pail and the other end to a true earth ground such as a water pipe.



**To maintain ground continuity when sprayer is flushed or pressure is relieved:** hold metal part of spray gun firmly to the side of a grounded metal pail then trigger the gun.



# Pressure Relief Procedure

## Pressure Relief Procedure

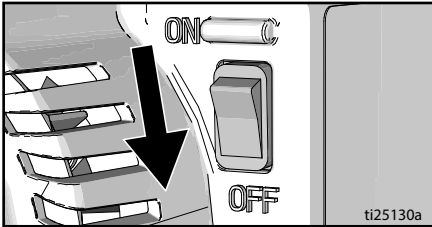


Follow the Pressure Relief Procedure whenever you see this symbol.

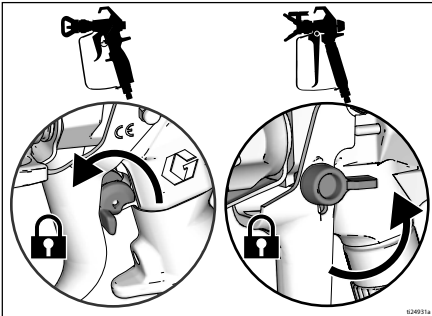


This equipment stays pressurized until pressure is manually relieved. To help prevent serious injury from pressurized fluid, such as skin injection, splashed fluid and moving parts, follow the Pressure Relief Procedure whenever sprayer is stopped and before sprayer is cleaned or checked, and before equipment is serviced.

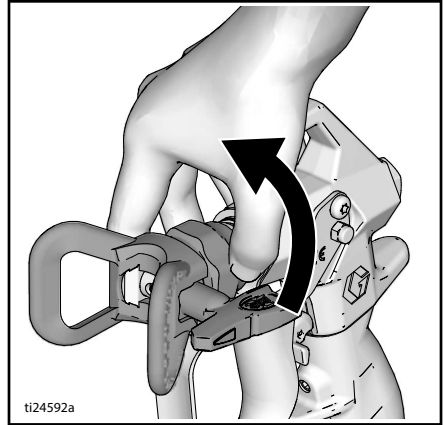
1. Turn ON/OFF switch to **OFF** position. Wait 7 seconds for power to dissipate.



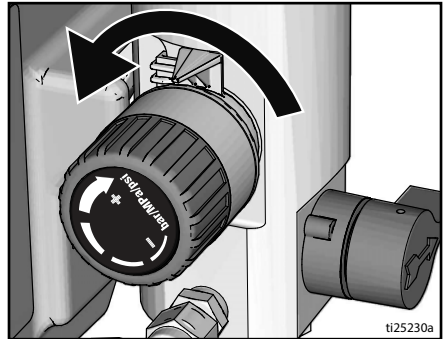
2. Engage trigger lock.



3. Remove tip guard.



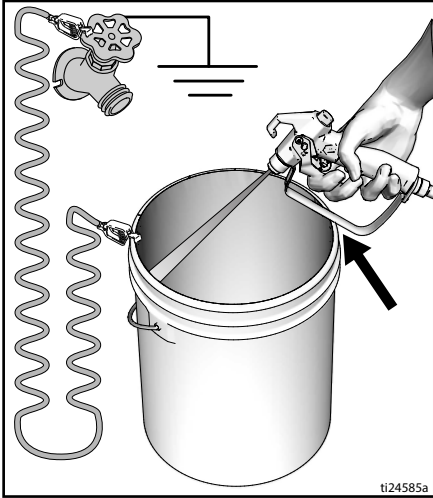
4. Turn pressure control to lowest setting. Disengage trigger lock.



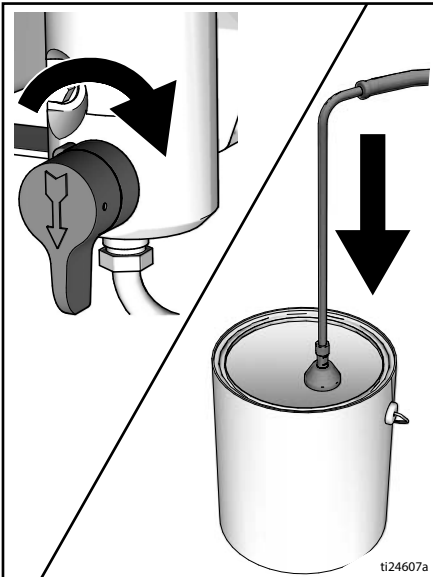


# Pressure Relief Procedure

5. Hold a metal part of the gun firmly to a grounded metal pail. Trigger the gun to relieve pressure.



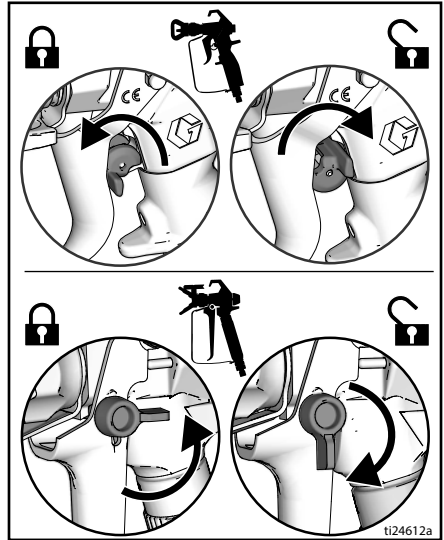
6. Engage trigger lock.
7. Put drain tube in pail. Turn prime valve down. Leave prime valve in down (drain) position until you are ready to spray again.



8. If you suspect the spray tip or hose is clogged or that pressure has not been fully relieved:
  - a. **VERY SLOWLY** loosen tip guard retaining nut or hose end coupling to relieve pressure gradually.
  - b. Loosen nut or coupling completely.
  - c. Clear hose or tip obstruction.

## Trigger Lock

Always engage the trigger lock when sprayer is stopped to prevent the gun from being triggered accidentally by hand or if dropped or bumped.



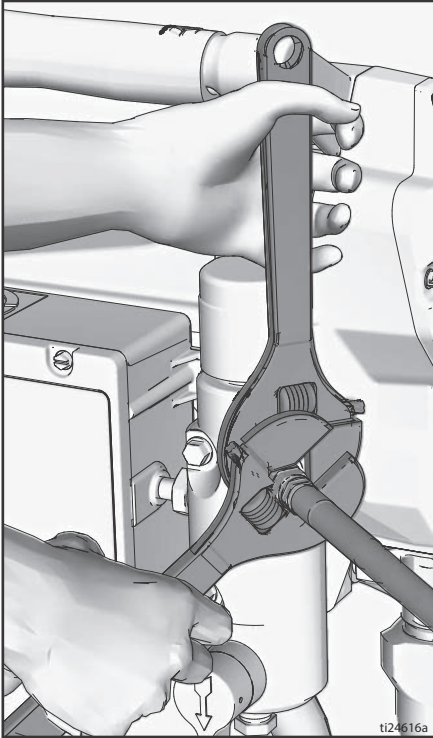
# Setup

## Setup

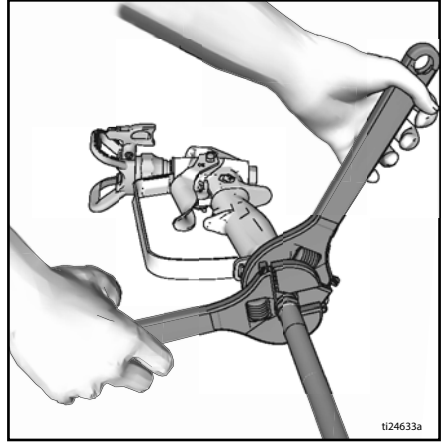


When unpacking sprayer for the first time or after long term storage perform setup procedure. When first setup is performed remove shipping plug from fluid outlet.

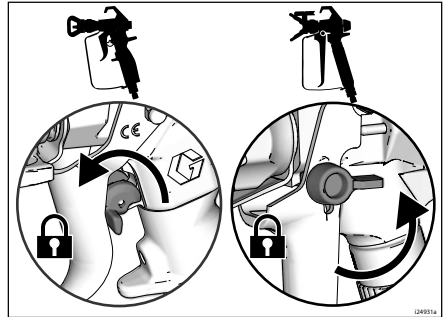
1. Connect Graco airless hose to fluid outlet. Use wrenches to tighten securely.



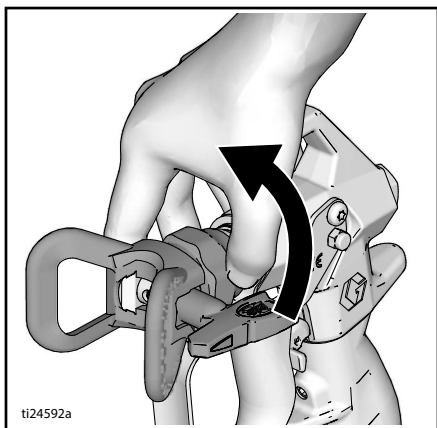
2. Connect other end of hose to gun.



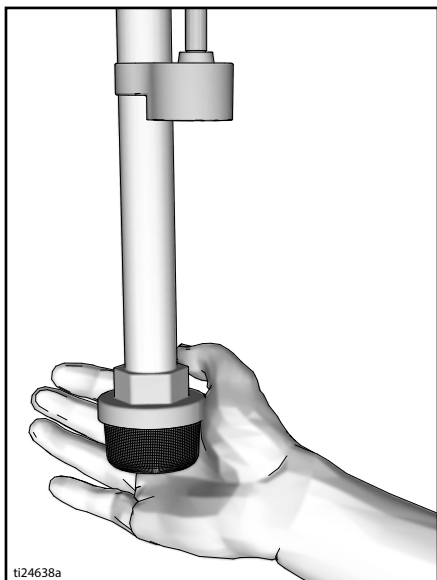
3. Use wrenches to tighten securely.
4. Engage trigger lock.



5. Remove tip guard.

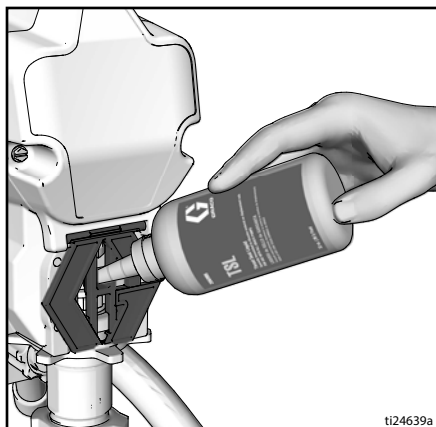


6. When unpacking sprayer for the first time remove packaging materials from inlet strainer. After long term storage check inlet strainer for clogs and debris.

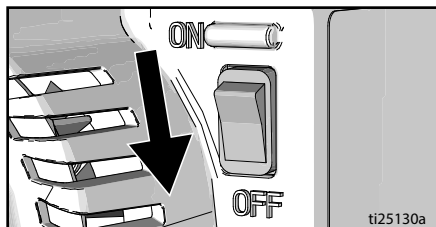


7. Fill throat packing nut with TSL to prevent premature packing wear. Do this daily or each time you spray.
- Place the TSL bottle nozzle into the top center opening in the grill at the front of the sprayer.

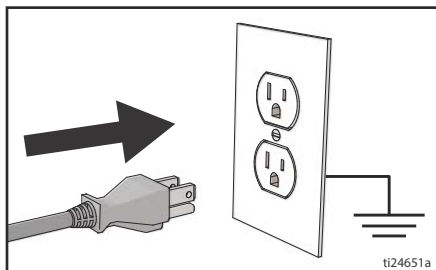
- Squeeze bottle to dispense enough TSL to fill the space between the pump rod and packing nut seal.



8. Make certain ON/OFF switch is **OFF**.

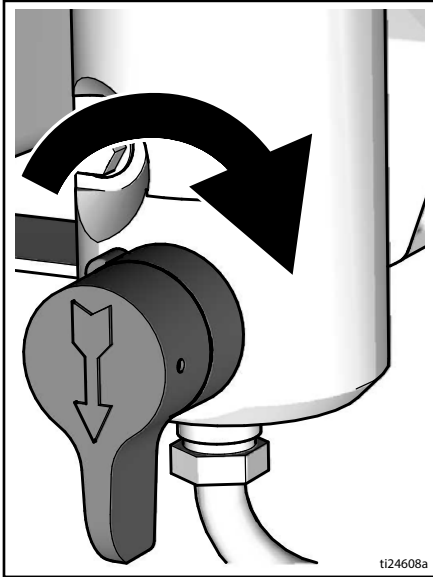


9. Plug power supply cord into a properly grounded electrical outlet.



10. Turn prime valve down.

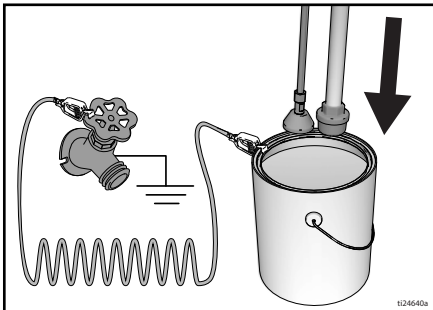
# Setup



11. Place fluid intake with drain tube in grounded metal pail partially filled with flushing fluid. See **Grounding**, page 11.

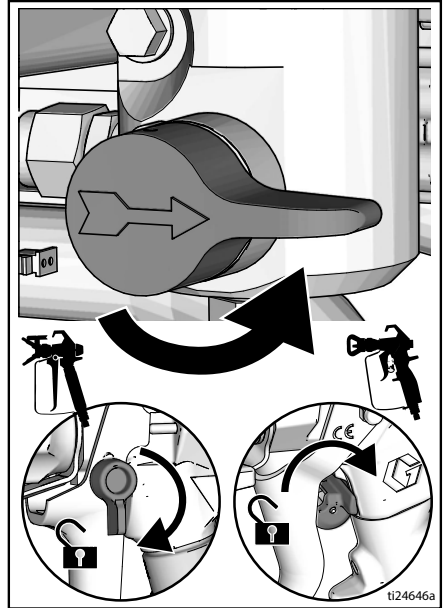
**NOTE:** New sprayers are shipped with storage fluid that must be flushed out with mineral spirits prior to using the sprayer.

Check flushing fluid for compatibility with material that is to be sprayed. A secondary flush with a compatible fluid may be necessary. Water for latex paint or mineral spirits for oil-based paint.



12. Turn pressure control to lowest setting.
13. Turn ON/OFF switch to **ON** position.
14. Increase pressure 1/2 turn to start motor. Allow fluid to flush through sprayer for one minute.

15. Turn prime valve horizontal. Disengage trigger lock.

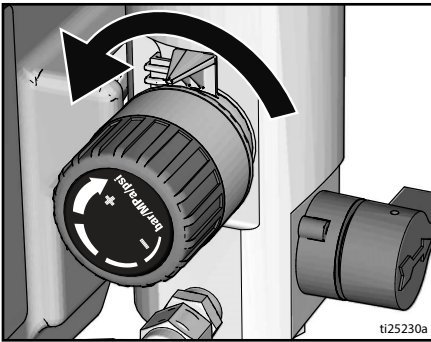


16. Hold a metal part of the gun firmly to a grounded metal pail. Trigger gun and flush until clean.
17. Turn ON/OFF switch to **OFF** position.
18. Engage trigger lock.
19. After flushing storage fluid out of the sprayer empty pail. Replace fluid intake with drain tube in grounded metal pail partially filled with flushing fluid. Use water to flush water-based paint or mineral spirits to flush oil-based paint.
20. Turn ON/OFF switch to **ON** position.
21. Turn prime valve horizontal. Disengage trigger lock.
22. Hold a metal part of the gun firmly to a grounded metal pail. Trigger gun and flush for one minute.
23. Turn ON/OFF switch to **OFF** position.
24. Engage trigger lock.
25. Sprayer is now ready to start up and spray.

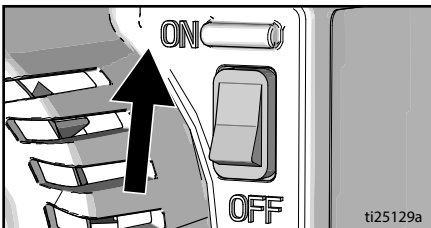
## Startup



1. Perform **Pressure Relief Procedure**, page 12.
2. Turn pressure control to lowest pressure.

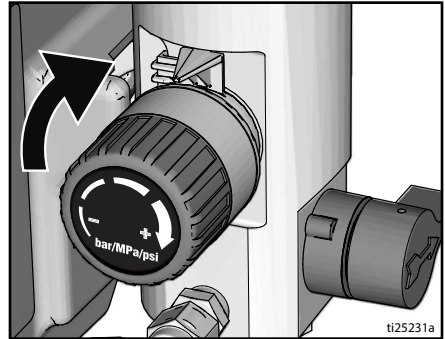


3. Turn ON/OFF switch to **ON** position.

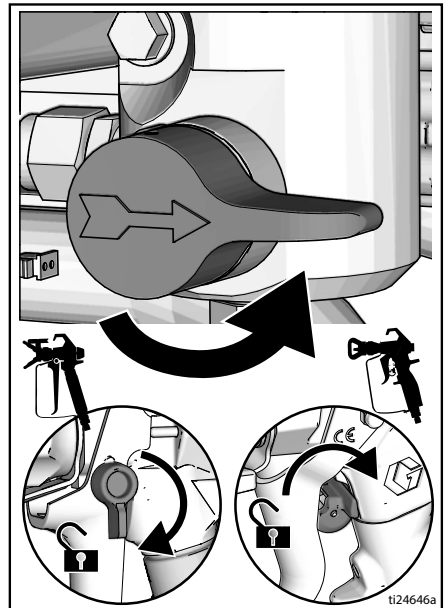


4. Place fluid intake in paint pail. Place drain tube in waste pail.

5. Increase pressure 1/2 turn to start motor. Allow paint to circulate through sprayer until paint flows out the drain tube.

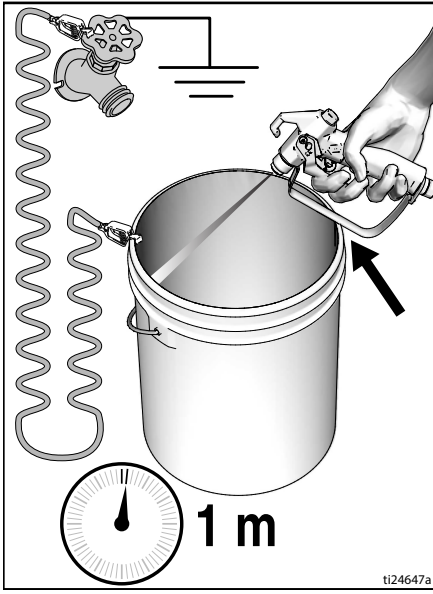


6. Turn prime valve horizontal. Disengage trigger lock.

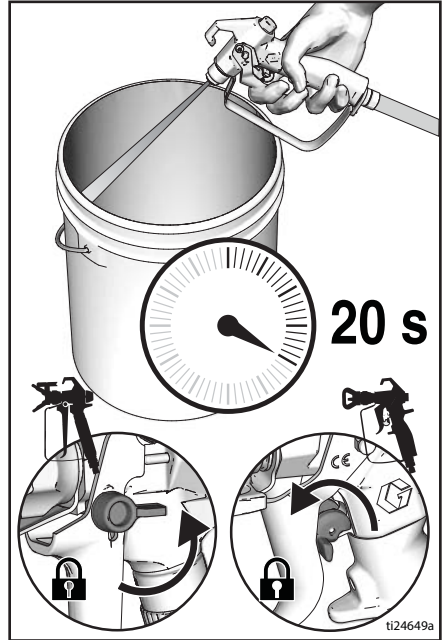


# Startup

7. Hold gun against grounded metal waste pail. Trigger gun until paint appears.



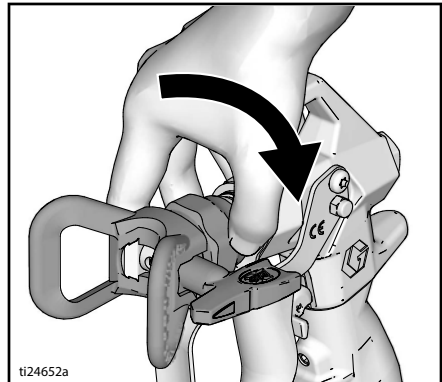
8. Move gun to paint pail and trigger for 20 seconds. Release trigger and allow sprayer to build pressure. Engage trigger lock.



10. Screw tip assembly onto gun and tighten. See **Spray Tip Installation**, page 19. For gun assembly instructions, see separate gun manual.

High-pressure spray is able to inject toxins into the body and cause serious bodily injury. Do not stop leaks with hand or rag.				

9. Inspect for leaks. If leaks occur, perform **Pressure Relief Procedure**, page 12, then tighten all fittings and repeat Startup procedure. If there are no leaks continue with the next step.

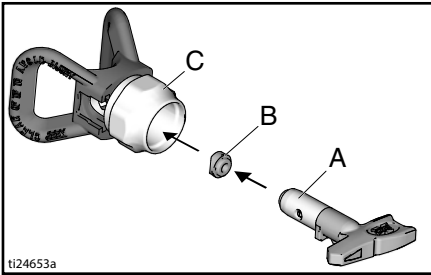


## Operation

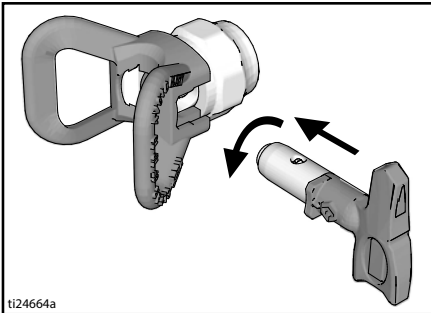
### Spray Tip Installation



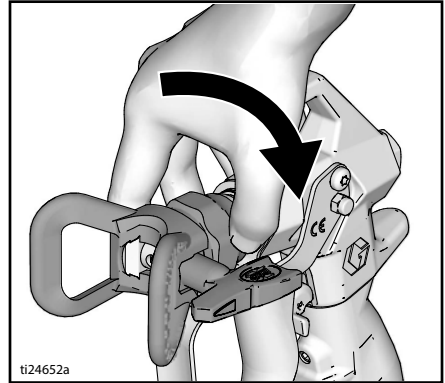
1. Perform **Pressure Relief Procedure**, page 12.
2. Use spray tip (A) to insert OneSeal™ (B) into tip guard (C).



2. Insert Spray Tip.

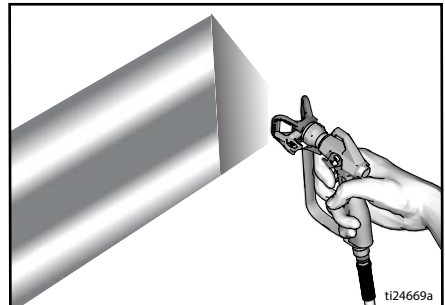


3. Screw assembly onto gun. Tighten.



### Spray

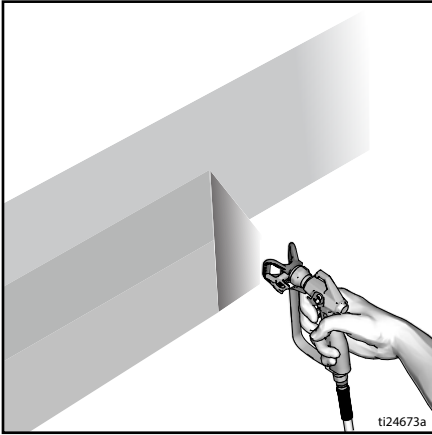
1. Spray test pattern. Adjust pressure to eliminate heavy edges.



2. Use smaller tip size if pressure adjustment cannot eliminate heavy edges.
3. Hold gun perpendicular, 10-12 in. (25-30 cm) from surface. Spray back and forth; overlap by 50%.



# Operation

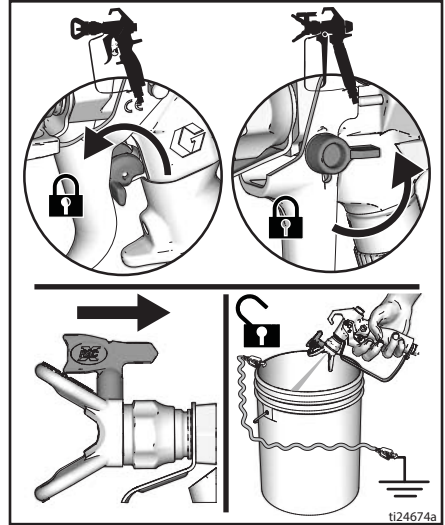


4. Trigger gun after moving. Release trigger before stopping. For additional spraying information, see separate gun manual.

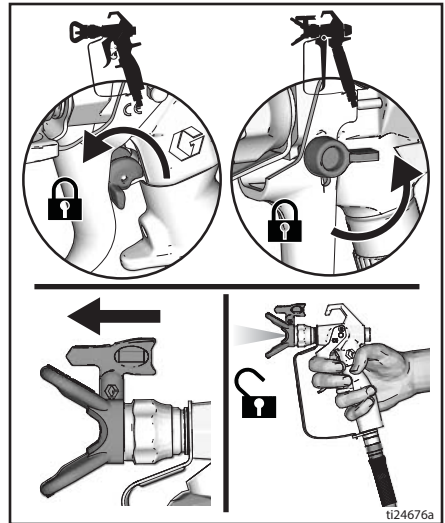
## Clear Tip Clog



1. Release trigger. Engage trigger lock. Rotate Spray Tip. Disengage trigger lock. Trigger gun at waste area to clear clog.



2. Engage trigger lock. Return Spray Tip to original position. Disengage trigger lock and continue spraying.

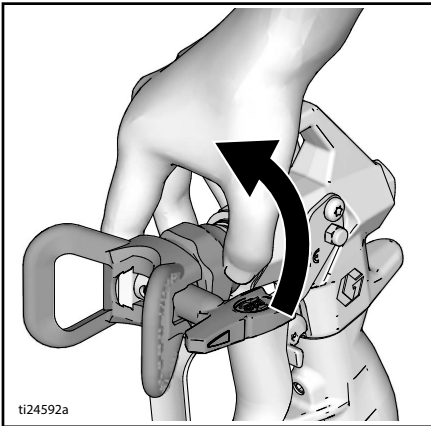




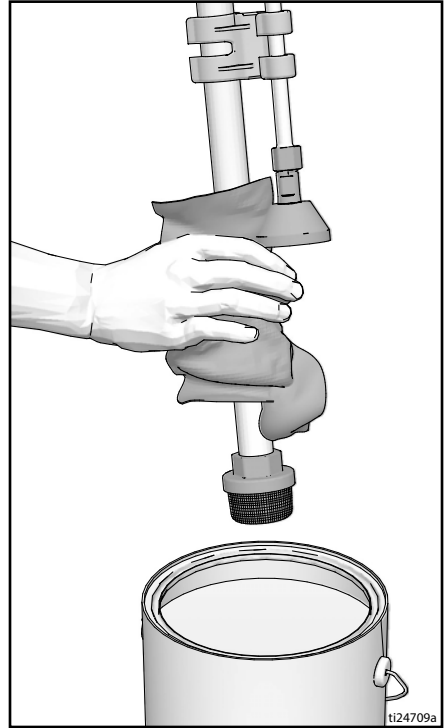
## Cleanup



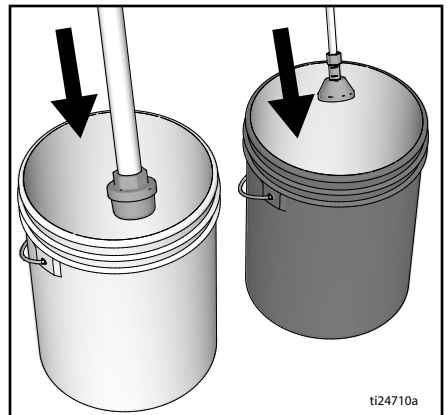
1. Perform **Pressure Relief Procedure**, page 12.
2. Remove tip guard and Spray Tip. For additional information, see separate gun manual.



3. Remove fluid intake and drain tube from paint, wipe excess paint off outside.



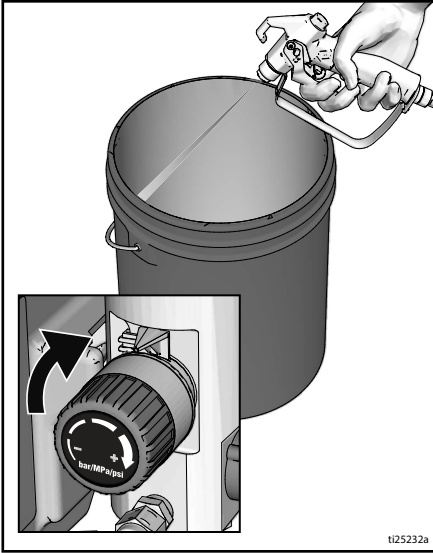
4. Place fluid intake in flushing fluid. Use water for water base paint and mineral spirits for oil-based paint. Place drain tube in waste pail.



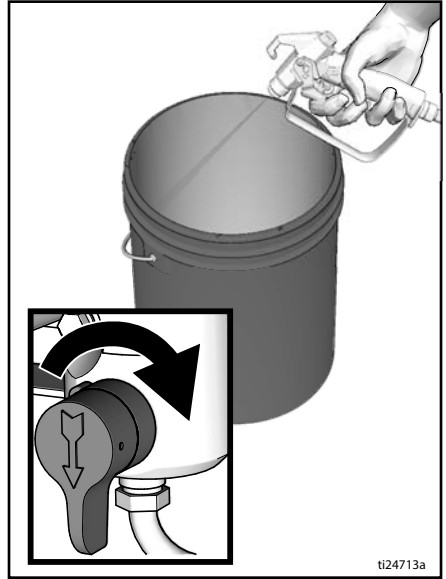
5. Turn prime valve horizontal.

# Operation

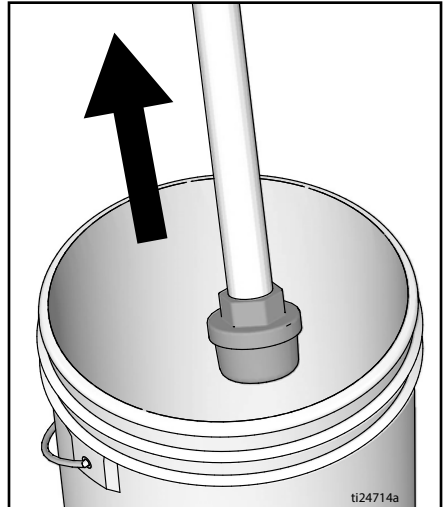
6. Increase pressure 1/2 turn to start motor. Hold gun against paint pail. Disengage trigger lock. Trigger gun and increase pressure until the pump runs steady and flushing fluid appears.



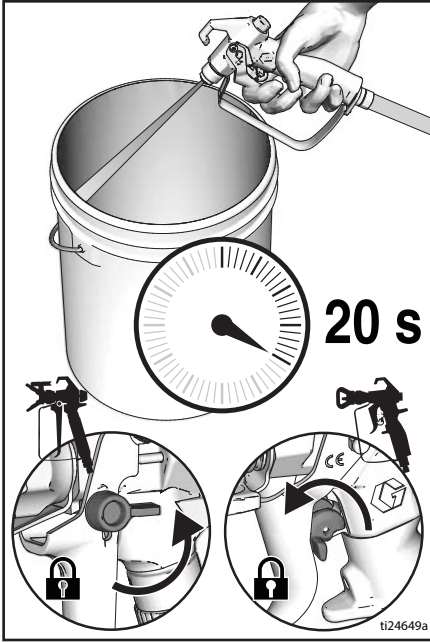
7. Stop triggering gun. Move gun to waste pail, hold gun against pail, trigger gun to thoroughly flush system.
8. While continuing to trigger gun, turn prime valve down. Then, release gun trigger. Allow flushing fluid to circulate until fluid comes out of drain tube clear.



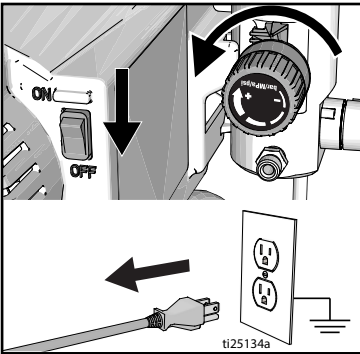
9. Raise fluid intake above flushing fluid.



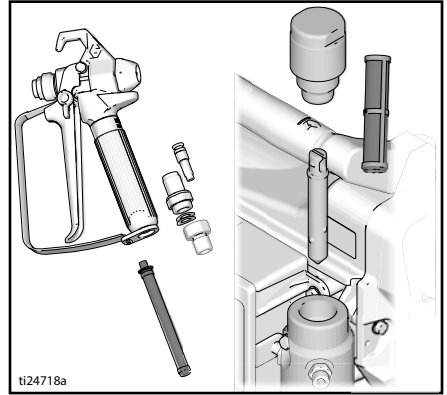
10. Turn prime valve horizontal. Trigger gun into flushing pail to purge fluid from hose.
11. Engage trigger lock.



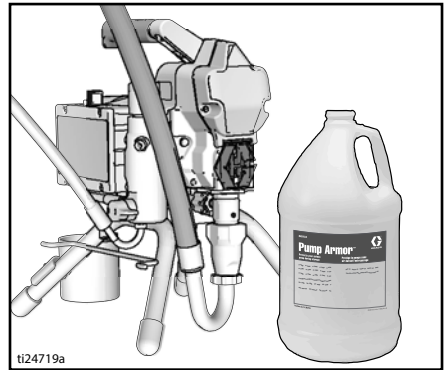
12. Turn pressure control knob to the lowest pressure setting and turn ON/OFF switch to **OFF** position. Disconnect power to sprayer.



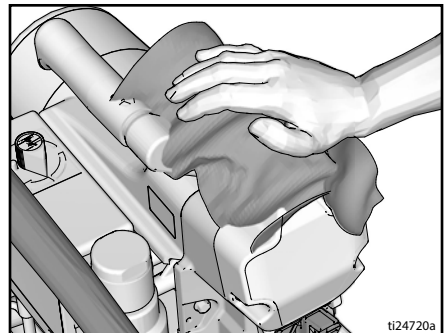
13. Remove filter from gun and sprayer if installed. Clean and inspect. Install filter. See separate gun manual.



14. If flushing with water, flush again with mineral spirits or Pump Armor to leave a protective coating to prevent freezing or corrosion.



15. Wipe sprayer, hose and gun with a rag soaked in water or mineral spirits.



## Maintenance

Routine maintenance is important to ensure proper operation of your sprayer. Maintenance includes performing routine actions which keep your sprayer in operation and prevents trouble in the future.



Activity	Interval
Inspect/clean sprayer filter, fluid inlet strainer, and gun filter.	Daily or each time you spray
Inspect motor shield vents for blockage.	Daily or each time you spray
Fill TSL by adding through TSL fill point.	Daily or each time you spray
Inspect motor brushes for wear. Brushes must be 1/2 in. (13mm) minimum length. NOTE: Brushes do not wear at the same rate on both sides of motor. Check both brushes	Every 1000 gallons (3785 liters)
Check sprayer stall. With sprayer gun NOT triggered, sprayer motor should stall and not restart until gun is triggered again. If sprayer starts again with gun NOT triggered, inspect pump for internal/external leaks and check prime valve for leaks.	Every 1000 gallons (3785 liters)
Throat packing adjustment When pump packing begins to leak after extended use, tighten packing nut down until leakage stops or lessens. This allows approximately 100 gallons of additional operation before a repacking is required. Packing nut can be tightened without O-ring removal.	As necessary based on usage

## Troubleshooting

### Mechanical/Fluid Flow



1. Follow **Pressure Relief Procedure**, page 12, before checking or repairing.
2. Check all possible problems and causes before disassembling the unit.

Problem	What to Check If check is OK, go to next check	What to Do When check is not OK, refer to this column
Pump output is low	Spray tip worn.	Follow <b>Pressure Relief Procedure</b> , page 12, then replace tip. See separate gun or tip manual.
	Spray tip clogged.	Relieve pressure. Check and clean spray tip.
	Paint supply.	Refill and reprime pump.
	Intake strainer clogged.	Remove and clean, then reinstall.
	Intake valve ball and piston ball are not seating properly.	Remove intake valve and clean. Check balls and seats for nicks; replace if necessary. See pump manual. Strain paint before using to remove particles that could clog pump.
	Fluid filter or tip filter is clogged or dirty.	Clean filter.
	Prime valve leaking.	Follow <b>Pressure Relief Procedure</b> , page 12, then repair prime valve.
	Verify pump does not continue to stroke when gun trigger is released. (Prime valve not leaking.)	Service pump. See pump manual.
Leaking around throat packing nut which may indicate worn or damaged packings.	Replace packings. See pump manual. Also check piston valve seat for hardened paint or nicks and replace if necessary. Tighten packing nut/wet-cup.	

# Troubleshooting

Problem	What to Check If check is OK, go to next check	What to Do When check is not OK, refer to this column
Pump output is low	Pump rod damage.	Repair pump. See pump manual.
	Low stall pressure.	Turn pressure knob fully clockwise. Make sure pressure control knob is properly installed to allow full clockwise position. If problem persists, replace pressure control.
	Piston packings are worn or damaged.	Replace packings. See pump manual.
	O-ring in pump is worn or damaged.	Replace o-ring. See pump manual.
	Intake valve ball is packed with material.	Clean intake valve. See pump manual.
	Large pressure drop in hose with heavy materials.	Reduce overall length of hose.
	Check extension cord for correct size.	See <b>Extension Cords</b> , page 11.
	Loose motor brushes and terminals.	Tighten terminal screws. Replace brushes if leads are damaged.
	Worn motor brushes. (Brushes must be 1/2 in. [13mm] minimum length).	Replace brushes.
	Broken and misaligned motor brush springs. Rolled portion of spring must rest squarely on top of brush.	Replace spring if broken. Realign spring with brush.
	Motor brushes are binding in brush holders.	Clean brush holders, remove carbon dust with a small cleaning brush. Align brush lead with slot in brush holder to assure free vertical brush movement.
Motor runs but pump does not stroke	Connecting rod assembly damaged. See pump manual.	Replace connecting rod assembly. See pump manual.
	Gears or drive housing damaged.	Inspect drive housing assembly and gears for damage and replace if necessary.
Excessive paint leakage into throat packing nut	Throat packing nut is loose.	Remove throat packing nut spacer. Tighten throat packing nut just enough to stop leakage.
	Throat packings are worn or damaged.	Replace packings. See pump manual.
	Displacement rod is worn or damaged.	Replace rod. See pump manual.

Problem	What to Check If check is OK, go to next check	What to Do When check is not OK, refer to this column
Fluid is spitting from gun	Air in pump or hose.	Check and tighten all fluid connections. Cycle pump as slowly as possible during priming.
	Spray tip is partially clogged.	Clear tip. See <b>Clear Tip Clog</b> , page 20.
	Fluid supply is low or empty.	Refill fluid supply. Prime pump. See pump manual. Check fluid supply often to prevent running pump dry.
Pump is difficult to prime	Air in pump or hose.	Check and tighten all fluid connections. Cycle pump as slowly as possible during priming.
	Intake valve is leaking.	Clean intake valve. Be sure ball seat is not nicked or worn and that ball seats well. Reassemble valve.
	Pump packings are worn.	Replace pump packings. See pump manual.
	Paint is too thick.	Thin the paint according to supplier recommendations.
Sprayer operates for 5 to 10 minutes then stops	Pump packing nut too tight. When pump packing nut is too tight the packings on the pump rod restrict pump action and overloads the motor.	Loosen pump packing nut. Check for leaks around throat. If necessary, replace pump packings. See Pump manual.

# Troubleshooting

## Electrical

Symptom: Sprayer does not run, stops running, or will not shut off.



2. Turn the ON/OFF switch **OFF** wait 30 seconds and then turn power back **ON** again (this ensures sprayer is in normal run mode).
3. Turn pressure control knob clockwise 1/2 turn.

Perform **Pressure Relief Procedure**, page 12.

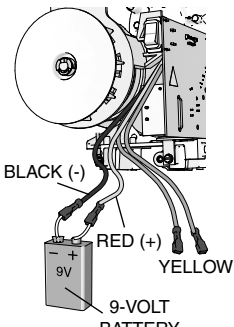
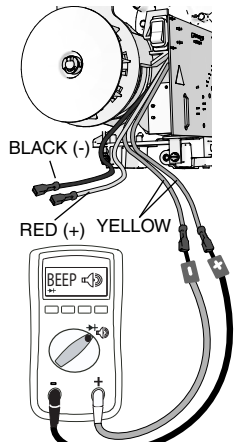
1. Plug sprayer into correct voltage, grounded outlet.



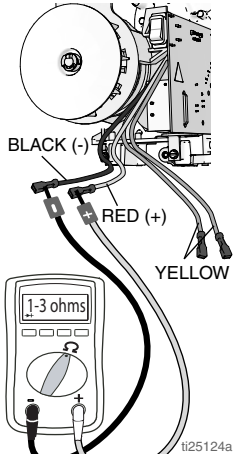
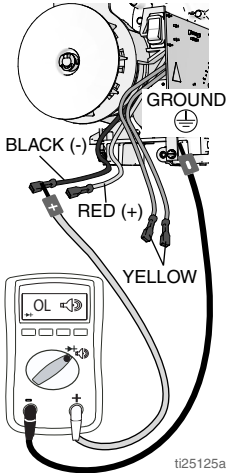
Keep clear of electrical and moving parts during troubleshooting procedures. To avoid electrical shock hazards when covers are removed for troubleshooting, wait 7 seconds after disconnecting power cord for stored electricity to dissipate.

Problem	What to Check	How to check
Sprayer does not run at all.	Check electrical supply.	Make certain that there is AC voltage. 100-130V for 110-120VAC models or 210-255V for 230VAC models.
	Check pressure control connections.	Make certain connector is clean and firmly connected.
	Check pressure control.	Connect known good pressure control. If the motor runs, replace pressure control.
	Check replaceable fuse.	With sprayer unplugged (no power applied), make certain there is continuity through the fuse.
	Check motor leads.	Make certain terminals are clean and firmly connected.





Problem	What to Check	How to check
	<p>Check motor rotation.</p>	<p>Perform a spin test by connecting a 9 –12 Volt battery to the motor leads. Motor leads may vary in style and size. Locate the two wires going to the carbon brushes normally Red and Black. Motor should spin when battery is connected to the motor leads.</p>  <p>BLACK (-) RED (+) YELLOW 9-VOLT BATTERY</p> <p>ti25122a</p>
	<p>Check motor thermal switch.</p>	<p>Motor should be at ambient temperature for this test. Connect the yellow leads from the motor to an Ohm meter. Meter should indicate continuity.</p>  <p>BLACK (-) RED (+) YELLOW BEEP</p> <p>ti25123a</p>

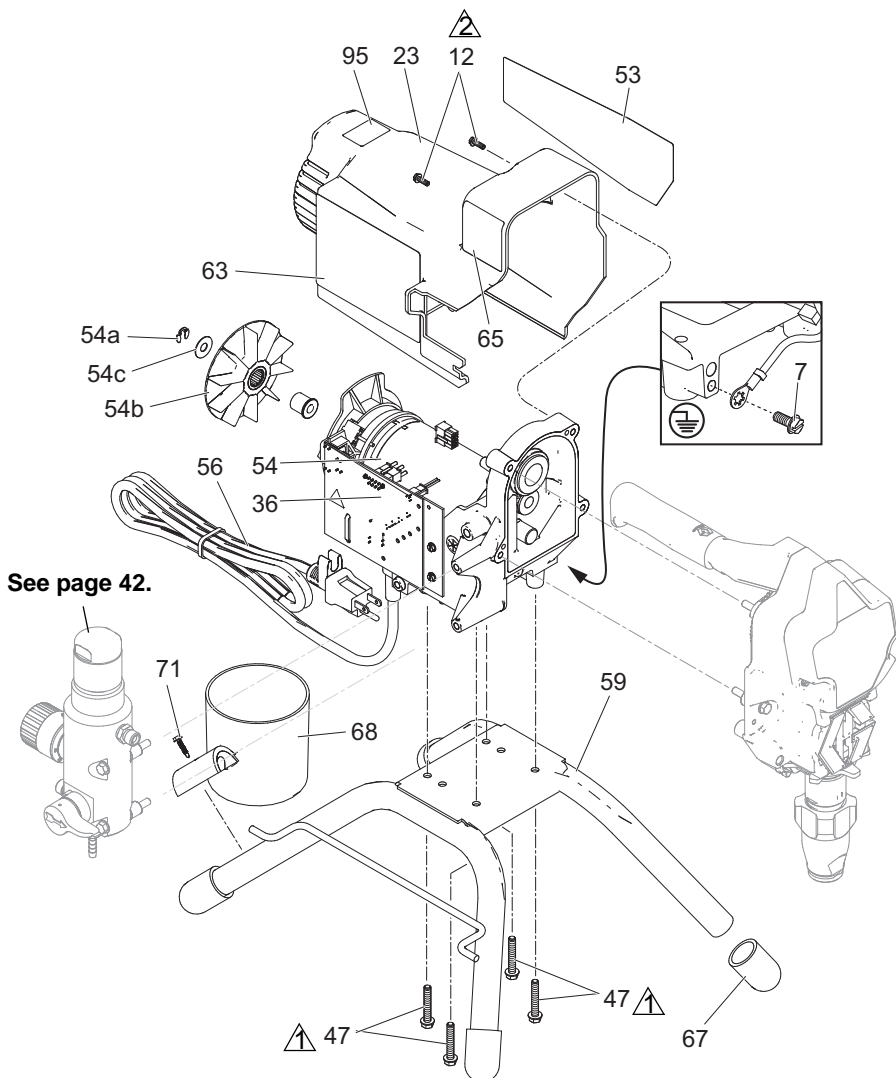
# Troubleshooting

Problem	What to Check	How to check
	Check motor armature resistance.	<p>Connect the Red and Black leads from the motor to an Ohm meter. Rotate the motor while checking for opens. If an open is found replace the motor.</p> 
	Check for motor short.	<p>Use an Ohm meter to check motor for shorts. Connect (-) meter lead to motor case. Move the (+) meter lead to each motor wire. Meter should read open on all wires.</p> 



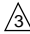
Problem	What to Check	How to check
Sprayer will not shut off after reaching or exceeding maximum pressure.	Check pressure control.	Disconnect pressure control, if sprayer still runs, replace control board. If the sprayer stops, replace pressure control.
Basic electrical problems	Motor leads are securely fastened and properly mated	Replace loose terminals; crimp to leads. Be sure terminal are firmly connected.  Clean circuit board terminals. Securely reconnect leads.
	For loose motor brush lead connections and terminals.	Tighten terminal screws. Replace brushes if leads are damaged.
	Brushes must be 1/2 in. [13mm] minimum. NOTE: Brushes do not wear at the same rate on both sides of motor. Check both brushes.	Replace brushes.
	Broken or misaligned motor brush springs. Rolled portion of spring must rest squarely on top of brush.	Replace spring if broken. Realign spring with brush.
	Motor brushes may be binding in brush holders.	Clean brush holders. Remove carbon with small cleaning brush. Align brush leads with slot in brush holder to assure free vertical brush movement.
	Motor armature commutator for burn spots, gouges or extreme roughness.	Remove motor and have motor shop resurface commutator if possible.

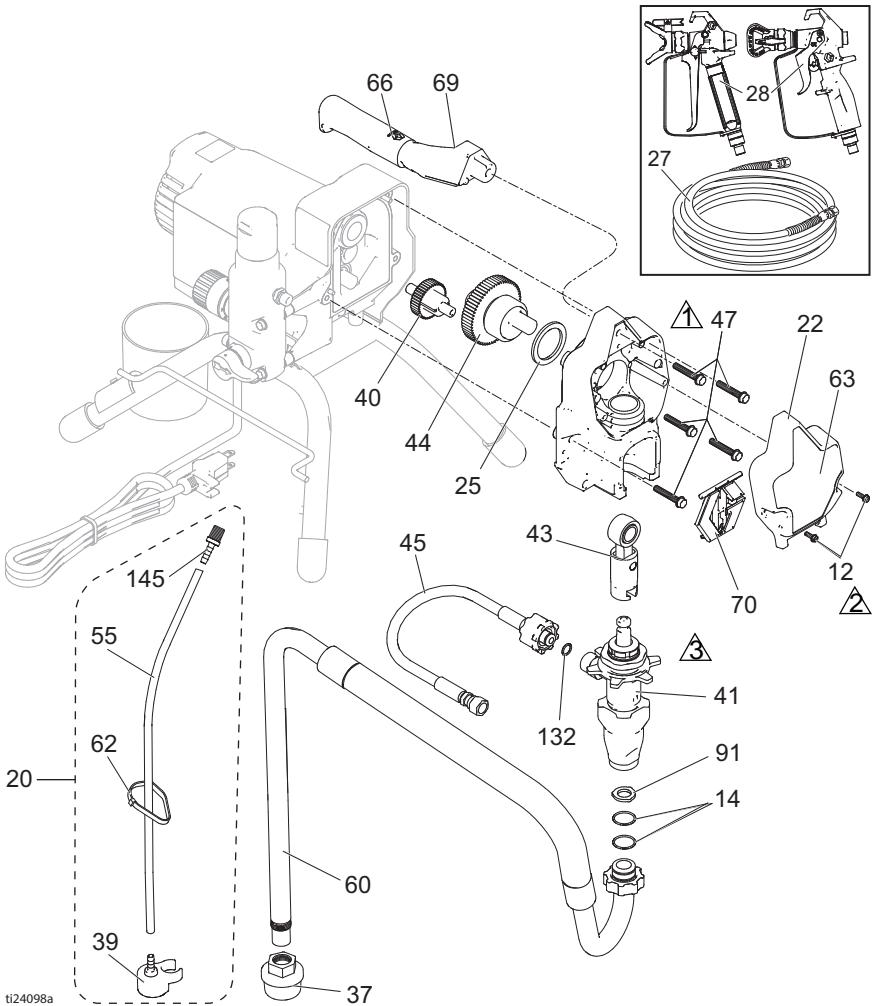
## Sprayers Parts

Ref.	Torque
	140-160 in-lb (15.8 - 18.1 N•m)
	30-35 in-lb (3.4 - 4.0 N•m)



ti24099a

Ref.	Torque
	140-160 in-lb (15.8 - 18.1 N•m)
	30-35 in-lb (3.4 - 4.0 N•m)
	Hammer tight





# Sprayers Parts

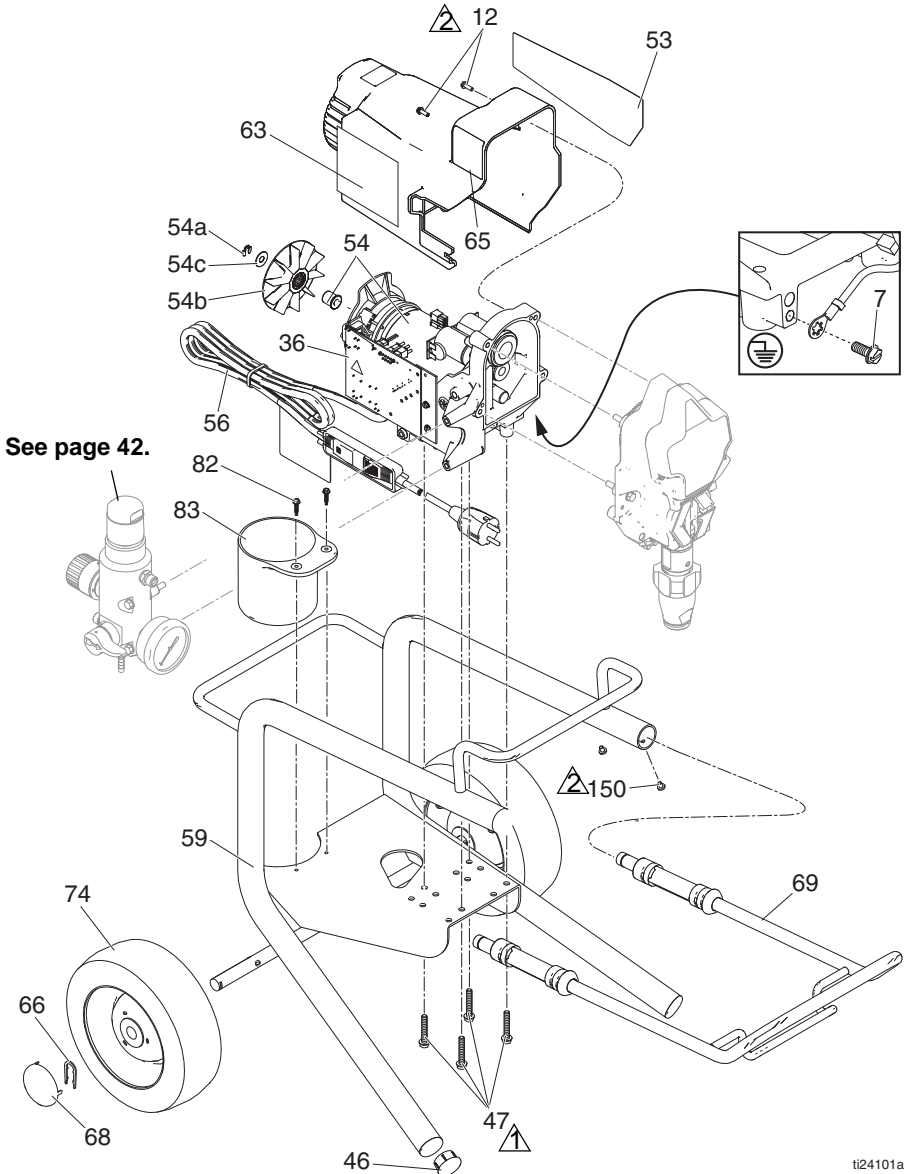
## 190, 290, 390 Stand Sprayers Parts List

Ref.	Part	Description	Qty.	Ref.	Part	Description	Qty.
7	115498	SCREW, mch, slot/hex, wash hd	1	44	24X020	GEAR, crankshaft <i>includes 25</i>	1
12	117501	SCREW, mach, slot hex wash hd	4	45	24W830	KIT, hose, cp/d <i>includes 132</i>	1
14	117559	O-RING	2	47	117493	SCREW, mach, hex washer hd	9
20	249051	KIT, tube, drain <i>includes 39, 55, 62, 145</i>	1	52	See page 41	LABEL, front	1
22		COVER, front	1	53	See page 41	LABEL, side	1
	17C540	Stand models 17A322, 17A323, 17C117, 17C341, 17C438, 17C344, 17C384		54 *		KIT, motor, electric <i>includes 54a, 54b, 54c</i>	1
	17C539	Stand models 17C310, 17C346, 17C347, 17C348, 17C385, 17C386, 17C389, 826195			17C794	110/120V	
					17C799	230V	
				54a	119653	RING, retaining, E-ring	1
				54b	17C583	FAN, motor, roller, clutch	1
				54c	16X726	WASHER, shim, round	1
23		SHIELD, motor	1	55	15E818	TUBE, drain	1
	15E341	Stand models 17A322, 17A323, 17C117, 17C341, 17C438, 17C344, 17C384		56	See page 42	CORD, power	1
	15J371	Stand models 17C310, 17C346, 17C347, 17C348, 17C385, 17C386, 17C389, 826195		59	15E823	FRAME, stand mount	1
				60	246386	HOSE, suction set <i>includes 14, 37, 91</i>	1
				62	404989	STRAP, tie	1
				63▲	See page 41	LABEL, warning	1
				65▲	See page 41	LABEL, warning icons intl	1
25	180131	BEARING, thrust	1	66	116139	GRIP, handle	1
27	See page 41	HOSE, cp/d, 1/4 in. x 25 or 50 ft	1	67	15G857	CAP, leg	4
28	See page 41	GUN, spray	1	68	287903	CUP, suction/drain	1
34▲	See page 41	CARD, medical alert (not shown)	1	69	287072	HANDLE <i>includes 47, 66</i>	1
36▲	189930	LABEL, caution	1	70	17C483	COVER, pump rod	1
37	246385	STRAINER, 7/8-14 unf	1	71	122667	SCREW, drill, hex washer head	1
39	244035	DEFLECTOR, barbed	1	91	115099	WASHER	1
40	249194	GEAR, reducer	1	132	16H137	PACKING, O-RING	1
41		PUMP, displacement	1		206994	FLUID, TSL, 8 oz (not shown)	1
	17C487	North America		145	M70809	FITTING, barbed, hose	1
	17C488	Europe				<i>* For motor brush kit order 249042</i>	
	17C489	Asia/ANZ/Japan					
42	24W817	HOUSING, drive <i>includes 47</i>	1				
43	24W640	ROD, connecting	1				

▲ Replacement Danger and Warning labels, tags, and cards are available at no cost.

## 390 Lo-Boy Sprayer Parts

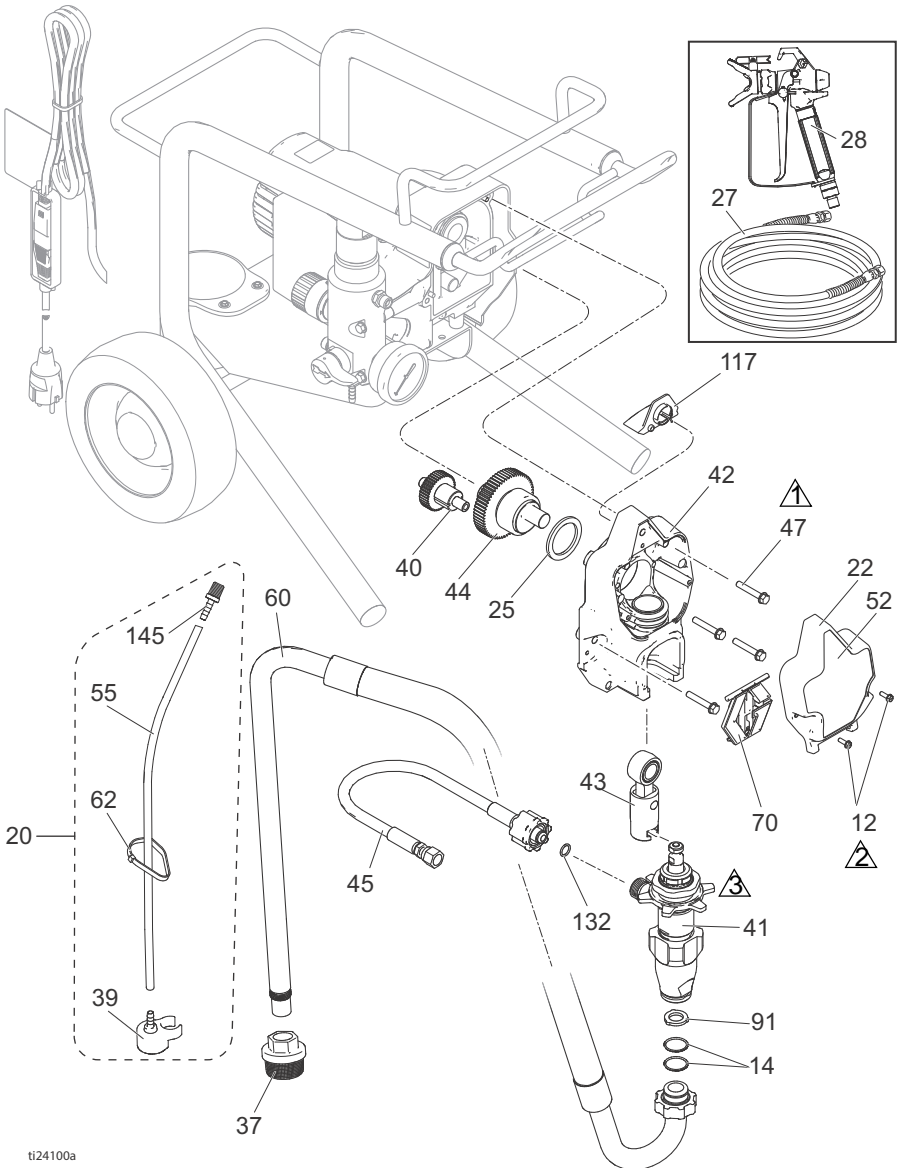
Ref.	Torque
 1	140-160 in-lb (15.8 - 18.1 N•m)
 2	30-35 in-lb (3.4 - 4.0 N•m)



ti24101a

# 390 Lo-Boy Sprayer Parts

Ref.	Torque
①	140-160 in-lb (15.8 - 18.1 N•m)
②	30-35 in-lb (3.4 - 4.0 N•m)
③	Hammer tight



ti24100a



# 390 Lo-Boy Sprayer Parts

## 390 Lo-Boy Sprayer Parts List



Ref.	Part	Description	Qty.	Ref.	Part	Description	Qty.
7	115498	SCREW, mch, slot/hex, wash hd	1	54b	17C583	FAN, motor, roller, clutch	1
12	117501	SCREW, mach, slot hex wash hd	4	54c	16X726	WASHER, shim, round	1
14	117559	O-RING	2	55	15E818	TUBE, drain	1
20	249051	KIT, tube, drain <i>includes 39, 55, 62, 145</i>	1	56	See page 42	CORD, power	1
22	17C539	COVER, front	1	59	246250	FRAME, cart, lo	1
23	15J371	SHIELD, motor	1	60	246386	HOSE, suction set <i>includes 14, 37, 91</i>	1
25	180131	BEARING, thrust	1	62	404989	STRAP, tie	1
27	240794	HOSE, cpld, 1/4 in. x 50 ft	1	63▲	15H087	LABEL, warning	1
28	288427	GUN, spray	1	65▲	189930	LABEL, warning icons intl	1
34▲	17A134	CARD, medical alert (not shown)	1	66	15B999	CLIP, retaining	2
37	246385	STRAINER, 7/8-14 unf	1	68	104811	CAP, hub	2
39	244035	DEFLECTOR, barbed	1	69	287488	HANDLE	1
40	249194	GEAR, reducer	1	70	17C483	COVER, pump rod	1
41	17C489	PUMP, displacement	1	74	195766	WHEEL, semi-pneumatic	2
42	24W817	HOUSING, drive <i>includes 47</i>	1	82	122667	SCREW, drill, hex washer hd	2
43	24W640	ROD, connecting	1	83	15B870	CUP, suction/drain	1
44	24X020	GEAR, crankshaft <i>includes 25</i>	1	91	115099	WASHER	1
45	24W830	KIT, hose, cpld <i>includes 132</i>	1	117	15G447	PLUG, shield, painted	1
46	107310	PLUG, tubing	2	132	16H137	PACKING, O-RING	1
47	117493	SCREW, mach, hex washer hd	8	145	M70809	FITTING, barbed, hose	1
52	17C819	LABEL, front	1	150	109032	SCREW, mach, pnh	4
53	17C820	LABEL, side	1	206994		FLUID, TSL, 8 oz (not shown)	1
54 *	17C798	KIT, motor, electric, 230V <i>includes 54a, 54b, 54c</i>	1				
54a	119653	RING, retaining, E-ring	1				

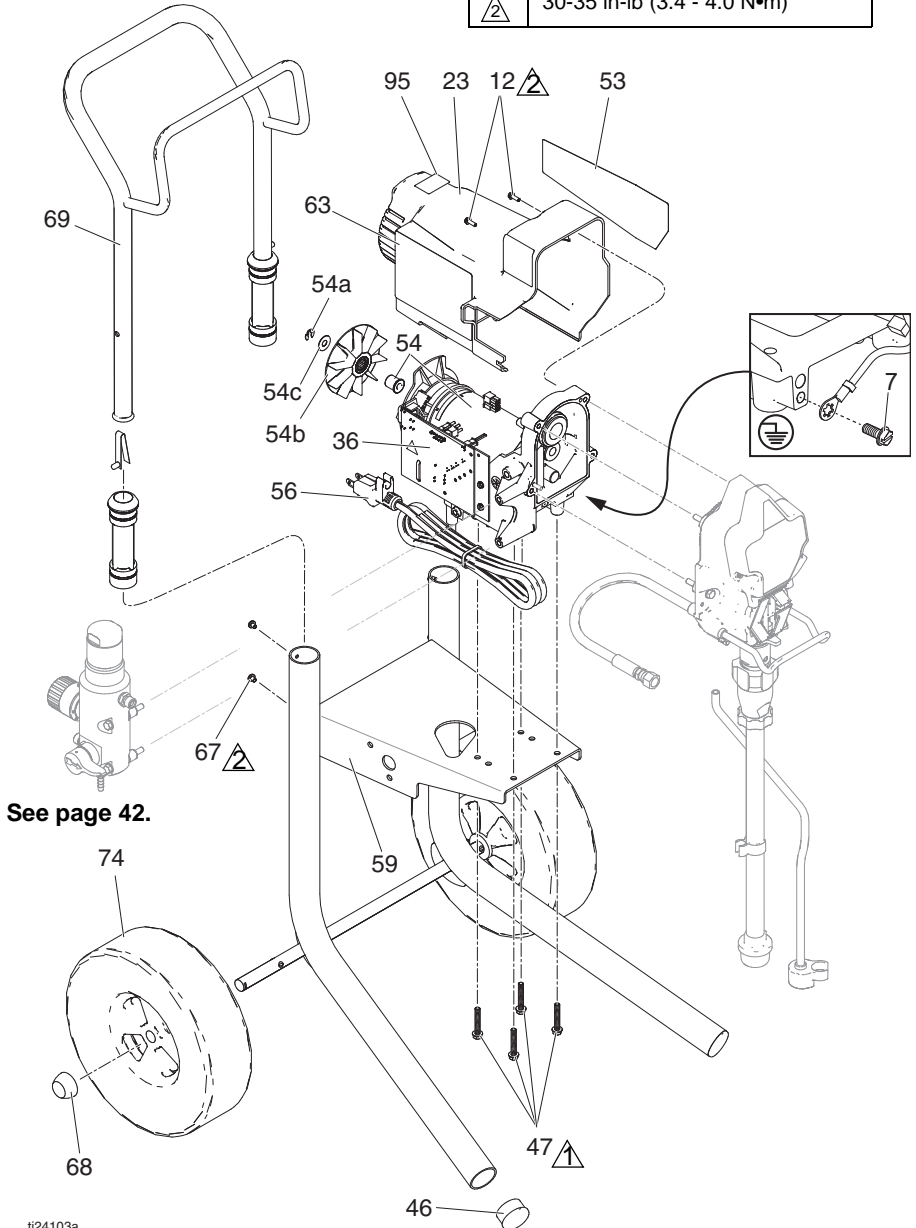
\* For motor brush kit order 249042

▲ Replacement Danger and Warning labels, tags, and cards are available at no cost.

# 190, 290, 390 Hi-Boy Sprayers Parts

## 190, 290, 390 Hi-Boy Sprayers Parts

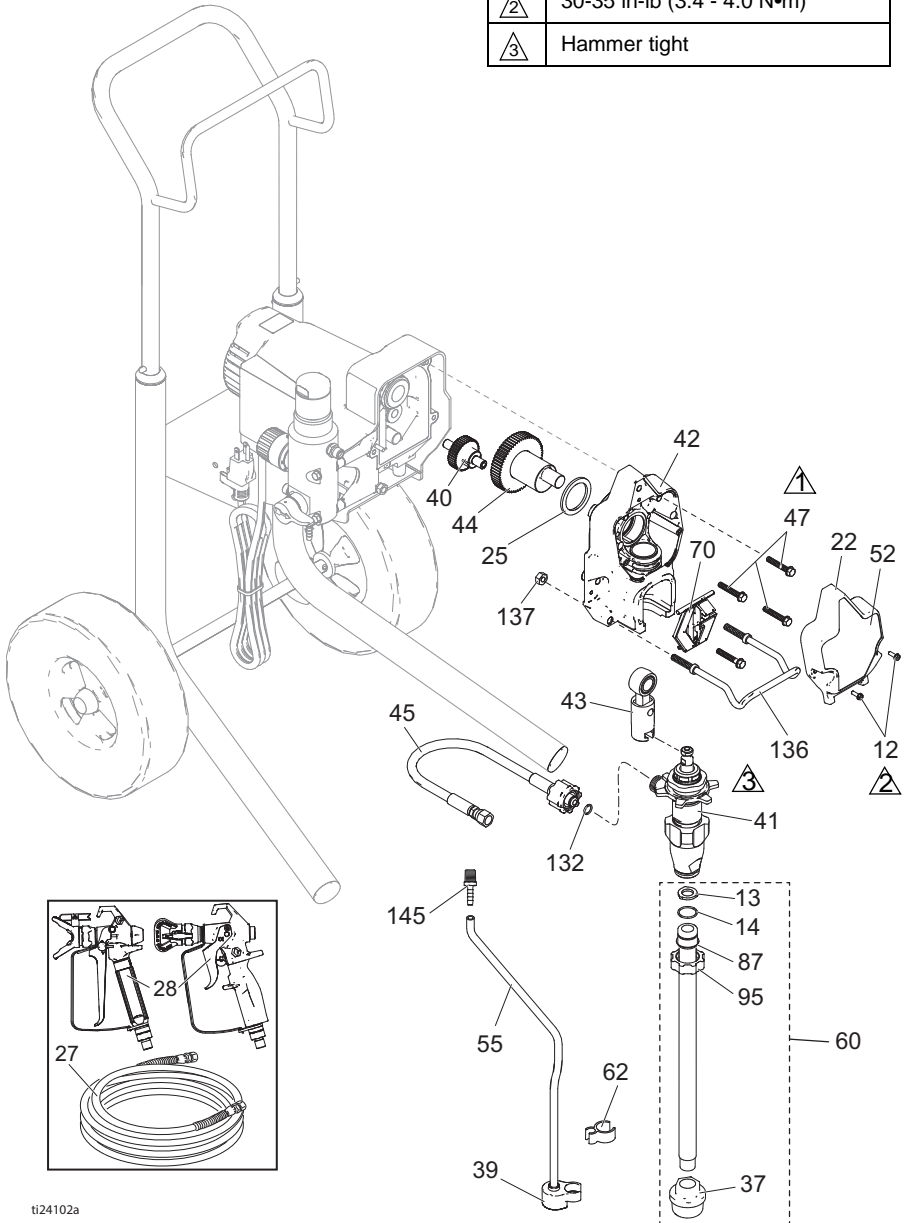
Ref.	Torque
	140-160 in-lb (15.8 - 18.1 N•m)
	30-35 in-lb (3.4 - 4.0 N•m)



ti24103a

# 190, 290, 390 Hi-Boy Sprayers Parts

Ref.	Torque
⚠	140-160 in-lb (15.8 - 18.1 N•m)
⚠	30-35 in-lb (3.4 - 4.0 N•m)
⚠	Hammer tight



t124102a

# 190, 290, 390 Hi-Boy Sprayers Parts

## 190, 290, 390 Hi-Boy Sprayers Parts List

Ref. Part	Description	Qty.	Ref. Part	Description	Qty.
7	115498 SCREW, mch, slot/hex, wash hd	1	52	See page 41 LABEL, front	1
12	117501 SCREW, mach, slot hex wash hd	4	53	See page 41 LABEL, side	1
13	115099 WASHER	1	54 *	KIT, motor, electric <i>includes 54, 54b, 54c</i>	1
14	103413 PACKING, O-ring	1	17C794	110/120V	
22	COVER, front	1	17C799	230V	
	17C540 Hi-Boy models 17C342, 17C343		54a	17C583 FAN, motor, roller, clutch	1
	17C539 Hi-Boy models 17C313, 17C349, 17C350, 17C351, 17C388		54b	16X726 WASHER, shim, round	1
			54c	119653 RING, retaining, E-ring	1
23	SHIELD, motor	1	55	15K092 TUBE, drain	1
	15E341 Hi-Boy models 17C342, 17C343		56	See page 42 CORD, power	1
	15J371 Hi-Boy models 17C313, 17C349, 17C350, 17C351, 17C388		59	17C485 FRAME, cart universal	1
25	180131 BEARING, thrust	1	60	15J801 HOSE, suction set <i>includes 13, 14, 37, 87, 95</i>	1
27	See page 41 HOSE, cpld, 1/4 in. x 25 or 50 ft	1	62	195400 CLIP, spring	1
28	See page 41 GUN, spray	1	63▲	See page 41 LABEL, warnings	1
34▲	See page 41 CARD, medical alert (not shown)	1	65▲	See page 41 LABEL, warning	1
36▲	189930 LABEL, caution	1	67	109032 SCREW, mach, prnh	4
37	235004 STRAINER, 7/8-14 unf	1	68	119452 CAP, hub	2
39	244035 DEFLECTOR, barbed	1	69	287489 HANDLE assy, hi cart	1
40	249194 GEAR, reducer	1	70	17C483 COVER, pump rod	1
41	PUMP, displacement	1	74	119451 WHEEL, semi-pneumatic	2
	17C487 North America		87	15B652 WASHER, suction	1
	17C488 Europe		95	15E813 NUT, jam	1
	17C489 Asia/ANZ/Japan		132	16H137 PACKING, O-ring	1
42	24W817 HOUSING, drive <i>includes 47</i>	1	136	17C990 HANGER, pail	1
43	24W640 ROD, connecting	1	137	111040 NUT, lock, insert	2
44	24X020 GEAR, crankshaft <i>includes 25</i>	1	145	M70809 FITTING, barbed, hose	1
45	24W830 KIT, hose, cpld <i>includes 132</i>	1	206994	FLUID, TSL, 8 oz (not shown)	1
46	108691 PLUG, tubing	2			
47	117493 SCREW, mach, hex washer hd	8			

\* For motor brush kit order 249042




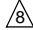
▲ Replacement Danger and Warning labels, tags, and cards are available at no cost.

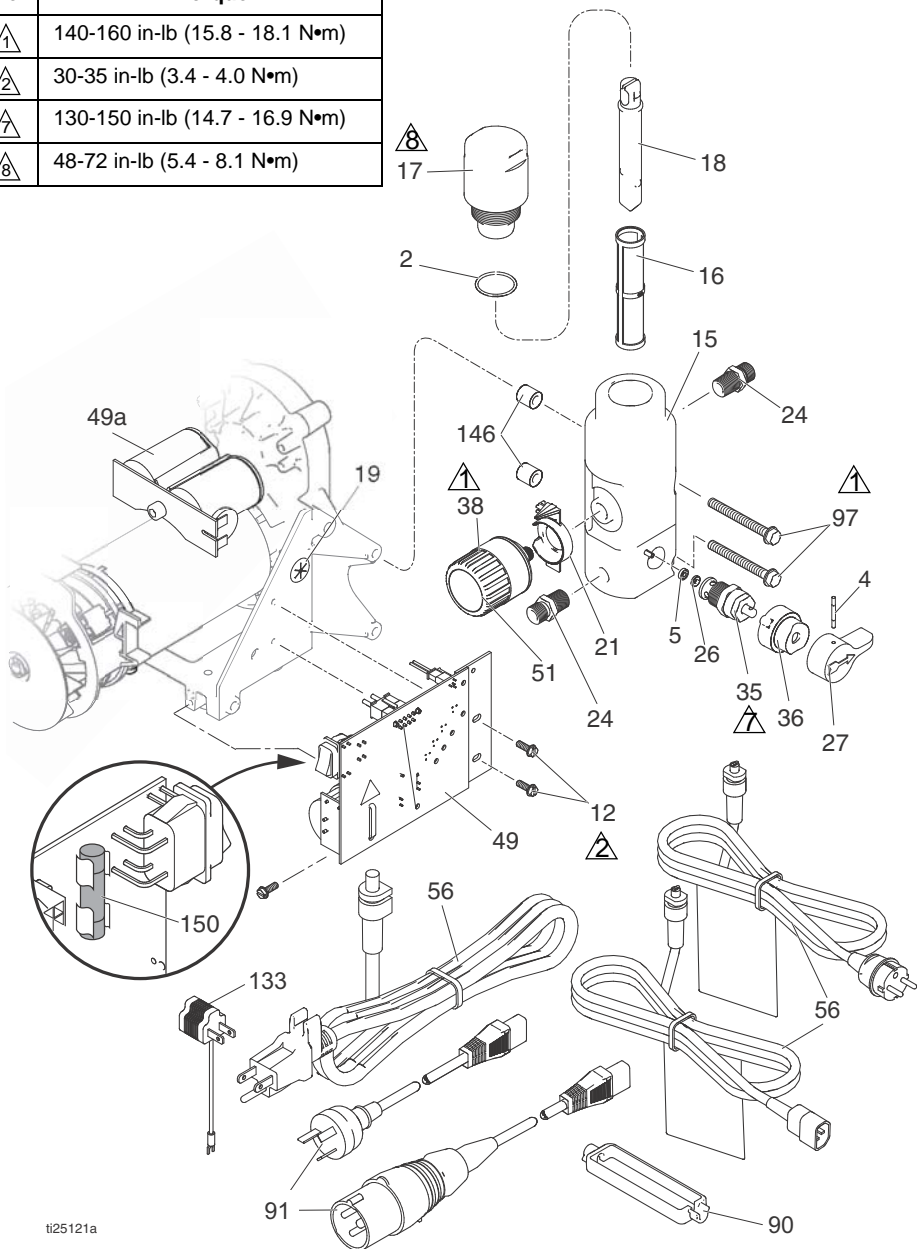
## Accessories and Labels

Sprayer Model	Ref. 27 Hose, 1/4 in. x ❖ ♦ ft	Ref. 28 Gun, Spray	Ref. 52 Label, Front	Ref. 53 Label, Side	Ref. 65 Label, Warning ▲	Ref. 34 Card, Medical Alert ▲	Ref. 63 Label, Danger ▲
17A322	247339 ❖	243012	17B217	17B218	195793 &	222385 #	15K359 #
17A323	247339 ❖	289843	17B217	17B218	- - -	222385 #	16G596 \$
17C117	247339 ❖	244238	17B217	17B218	17C136 *	222385 #	17C135 *
17C310 17C313	240794 ♦	288430	17C819	17C820	195793 &	222385 #	15K359 #
17C341 17C342 17C438	240793 ❖	289843	17C860	17C861	- - -	222385 #	16G596 \$
17C343 17C344	240794 ♦	288438	17C862	17C863	- - -	222385 #	16G596 \$
17C346 17C347 17C348 17C349 17C350 17C351	240794 ♦	288438	17C853	17C854	- - -	222385 #	16G596 \$
17C384	247339 ❖	16X214	17B217	17B218		17A134 %	15H087 @
17C385	240794 ♦	288430	17C819	17C820	195792 &	17A134 %	15H086 #
17C386 17C388	240794 ♦	288427	17C819	17C820	- - -	17A134 %	15H087 @
17C389	247340 ♦	16X214	17C853	17C854	- - -	17A134 %	15H087 @
826195	826079 ♦	288430	17C821	17C822	195793 &	222385 #	15K359 #
288526 – Kit, accessory, hopper							
# – English, Spanish, French				@ – Asia/ANZ			
% – English, Chinese, Korean				\$ – Europe			
& – North America				* – English, Spanish, Portuguese			
❖ – 25 ft. (7.6m)							
♦ – 50 ft. (15.2m)							
▲ Replacement Danger and Warning labels, tags, and cards are available at no cost.							

# Control Box and Filter

## Control Box and Filter

Ref.	Torque
 140-160 in-lb (15.8 - 18.1 N•m)	
 30-35 in-lb (3.4 - 4.0 N•m)	
 130-150 in-lb (14.7 - 16.9 N•m)	
 48-72 in-lb (5.4 - 8.1 N•m)	



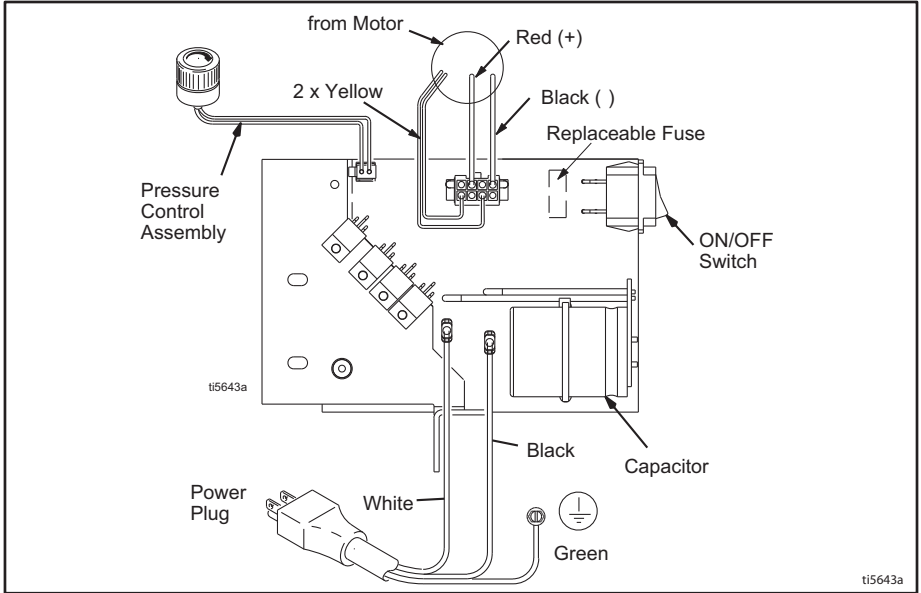
ti25121a

## Control and Filter Parts List

Ref.	Part	Description	Qty.	Ref.	Part	Description	Qty.
2	104361	PACKING, o-ring	1	27	187625	HANDLE, valve, drain	1
4	111600	PIN, grooved	1	35	239914	VALVE, drain, <i>includes</i> 5, 26	1
5	277364	GASKET, seat, valve	1	36	224807	BASE, valve	1
12	117501	SCREW, mach, hex washer hd	3	38		KIT, control, pressure, <i>includes</i> 19, 20, 51	1
15		MANIFOLD, fluid	1	24X312		120V, models 17A322	
	17C590	Tall, no gauge, models, 17C310, 17C313, 17C385, 826195		24X313		230V, models 17A323, 17C438, 17C342, 17C389, 17C117	
	17C591	Tall, with gauge, models, 17C346, 17C347, 17C348, 17C349, 17C350, 17C351, 17C386, 17C387, 17C388		24X289		120V, models 17C310, 17C313, 17C347, 17C350, 17C385, 826195	
	17C592	Short, no gauge, model, 17C389		24X290		230V, models 17C343, 17C344, 17C346, 17C348, 17C349, 17C351, 17C384, 17C387, 17C388	
	17C593	Short with gauge, models, 17C343, 17C344		49		BOARD, control	1
	15E295	With gauge, models, 17C341			249052	120V	
		No gauge, models, 17A322, 17A323, 17C342, 17C438, 17C384, 17C117			16X295	230V <i>includes</i> 49a	
16		FILTER, fluid	1	49a	24R905	BOARD, capacitor, 230V	1
		Tall manifold		51	15A464	LABEL, control	1
	246425	30 mesh		56		CORD, power	1
	246384	60 mesh, original			15J743	US/Japan	
	246382	100 mesh			242001	Europe	
	246383	200 mesh			253370	CORD, IEC, jumper	
		Short manifold			16W745	CORD, CEE	
	243080	60 mesh, original			257805	KIT, repair, Europe	
	243081	100 mesh			253369	Europe, CEE 7/7	
17		CAP, manifold	1		253373	Multicord, Asia/ANZ	
	287902	KIT, cap, tall manifold, <i>includes</i> 18		90	195551	RETAINER, plug, adapter	
	243102	KIT, cap, short manifold, <i>includes</i> 18, 16 (60 mesh)				Multicord models	2
18		INSERT, filter	1			CEE 7/7 models	1
	15B071	Tall		91		CORD SET, adapter	1
	15E288	Short			242005	Australia	
19	115756	BUSHING, motor wire	1		253368	UK	
21	17C725	INDICATOR, control pressure	1	97	17C735	SCREW, mach, HWH	2
24	162453	NIPPLE, (1/4 npsm x 1/4 npt)	2	133	244285	ADAPTER, Japan	1
26	15E022	SEAT, valve	1	145	M70809	FITTING, barbed	1
				146	17D294	SPACER, manifold	2
				150	119277	Fuse replacement	1
					115523	GAUGE, pressure, fluid, not shown (on select models)	1
					119783	FITTING, tee, swivel (on models with gauge)	1

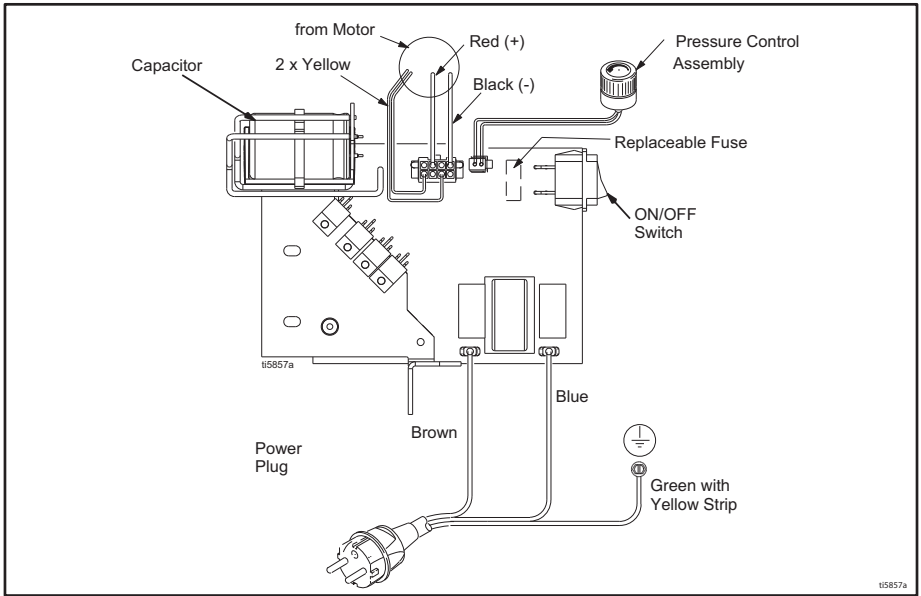
## Wiring Diagrams

120V, US/Japan





## 110V, UK / 230V



# Technical Specifications

## Technical Specifications

190/290/390		
	US	Metric
Sprayer		
Maximum fluid working pressure	3000 psi 3300 psi	207 bar, 20.7 MPa 228 bar, 22.8 MPa
Maximum Delivery	0.50 gpm	1.9 lpm
Maximum Tip Size	0.023	0.023
Fluid Outlet npsm	1/4 in.	6.3 mm
Cycles	700 per gallon	185 per liter
Generator Minimum	3000 W	3000 W
110–120V, A, Hz	1Ø, 13, 50/60	
220–240V, A, Hz	1Ø, 8, 50/60	
Dimensions		
Height		
Stand	21 in.	53.3 cm
Lo-Boy	21 in.	53.3 cm
Hi-Boy	29.5 in. (Handle down) 39.5 in. (Handle up)	74.9 cm (Handle down) 100.3 cm (Handle up)
Length		
Stand	15 in.	38.1 cm
Lo-Boy	26 in.	66.0 cm
Hi-Boy	21 in.	53.3 cm
Width		
Stand	14 in.	35.6 cm
Lo-Boy	20.5 in.	52.1 cm
Hi-Boy	20.5 in.	52.1 cm
Weight		
Stand	43 lb.	20 kg
Lo-Boy	63 lb.	29 kg
Hi-Boy	66 lb.	30 kg
Noise** (dBa) @ 70 psi (0.48 MPa, 4.8 bar)		
Sound pressure	90 dBa	
Sound power	100 dBa	

# Technical Specifications

190/290/390		
	US	Metric
<b>Materials of Construction</b>		
Wetted materials on all models	zinc- and nickel-plated carbon steel, nylon, stainless steel, PTFE, Acetal, leather, UHMWPE, aluminum, tungsten carbide, polyethylene, fluoroelastomer, urethane	
<b>Notes</b>		
<i>* Startup pressures and displacement per cycle may vary based on suction condition, discharge head, air pressure, and fluid type.</i>		
<i>** Sound pressure measured 3 feet (1 meter) from equipment.</i>		
<i>Sound power measured per ISO-3744.</i>		

# Graco Standard Warranty

## Graco Standard Warranty

Graco warrants all equipment referenced in this document which is manufactured by Graco and bearing its name to be free from defects in material and workmanship on the date of sale to the original purchaser for use. With the exception of any special, extended, or limited warranty published by Graco, Graco will, for a period of twelve months from the date of sale, repair or replace any part of the equipment determined by Graco to be defective. This warranty applies only when the equipment is installed, operated and maintained in accordance with Graco's written recommendations.

This warranty does not cover, and Graco shall not be liable for general wear and tear, or any malfunction, damage or wear caused by faulty installation, misapplication, abrasion, corrosion, inadequate or improper maintenance, negligence, accident, tampering, or substitution of non-Graco component parts. Nor shall Graco be liable for malfunction, damage or wear caused by the incompatibility of Graco equipment with structures, accessories, equipment or materials not supplied by Graco, or the improper design, manufacture, installation, operation or maintenance of structures, accessories, equipment or materials not supplied by Graco.

This warranty is conditioned upon the prepaid return of the equipment claimed to be defective to an authorized Graco distributor for verification of the claimed defect. If the claimed defect is verified, Graco will repair or replace free of charge any defective parts. The equipment will be returned to the original purchaser transportation prepaid. If inspection of the equipment does not disclose any defect in material or workmanship, repairs will be made at a reasonable charge, which charges may include the costs of parts, labor, and transportation.

**THIS WARRANTY IS EXCLUSIVE, AND IS IN LIEU OF ANY OTHER WARRANTIES, EXPRESS OR IMPLIED, INCLUDING BUT NOT LIMITED TO WARRANTY OF MERCHANTABILITY OR WARRANTY OF FITNESS FOR A PARTICULAR PURPOSE.**

Graco's sole obligation and buyer's sole remedy for any breach of warranty shall be as set forth above. The buyer agrees that no other remedy (including, but not limited to, incidental or consequential damages for lost profits, lost sales, injury to person or property, or any other incidental or consequential loss) shall be available. Any action for breach of warranty must be brought within two (2) years of the date of sale.

**GRACO MAKES NO WARRANTY, AND DISCLAIMS ALL IMPLIED WARRANTIES OF MERCHANTABILITY AND FITNESS FOR A PARTICULAR PURPOSE, IN CONNECTION WITH ACCESSORIES, EQUIPMENT, MATERIALS OR COMPONENTS SOLD BUT NOT MANUFACTURED BY GRACO.** These items sold, but not manufactured by Graco (such as electric motors, switches, hose, etc.), are subject to the warranty, if any, of their manufacturer. Graco will provide purchaser with reasonable assistance in making any claim for breach of these warranties.

In no event will Graco be liable for indirect, incidental, special or consequential damages resulting from Graco supplying equipment hereunder, or the furnishing, performance, or use of any products or other goods sold hereto, whether due to a breach of contract, breach of warranty, the negligence of Graco, or otherwise.

### **FOR GRACO CANADA CUSTOMERS**

The Parties acknowledge that they have required that the present document, as well as all documents, notices and legal proceedings entered into, given or instituted pursuant hereto or relating directly or indirectly hereto, be drawn up in English. Les parties reconnaissent avoir convenu que la rédaction du présent document sera en Anglais, ainsi que tous documents, avis et procédures judiciaires exécutés, donnés ou intentés, à la suite de ou en rapport, directement ou indirectement, avec les procédures concernées.

# Graco Information

For the latest information about Graco products, visit [www.graco.com](http://www.graco.com).

For patent information, see [www.graco.com/patents](http://www.graco.com/patents).

**TO PLACE AN ORDER**, contact your Graco distributor or call 1-800-690-2894 to identify the nearest distributor.

*All written and visual data contained in this document reflects the latest product information available at the time of publication.*

*Graco reserves the right to make changes at any time without notice.*

Original instructions. This manual contains English. MM 334567

**Graco Headquarters:** Minneapolis  
**International Offices:** Belgium, China, Japan, Korea

**GRACO INC. AND SUBSIDIARIES • P.O. BOX 1441 • MINNEAPOLIS MN 55440-1441 • USA**

**Copyright 2014, Graco Inc. All Graco manufacturing locations are registered to ISO 9001.**

[www.graco.com](http://www.graco.com)  
Revision B, December 2014