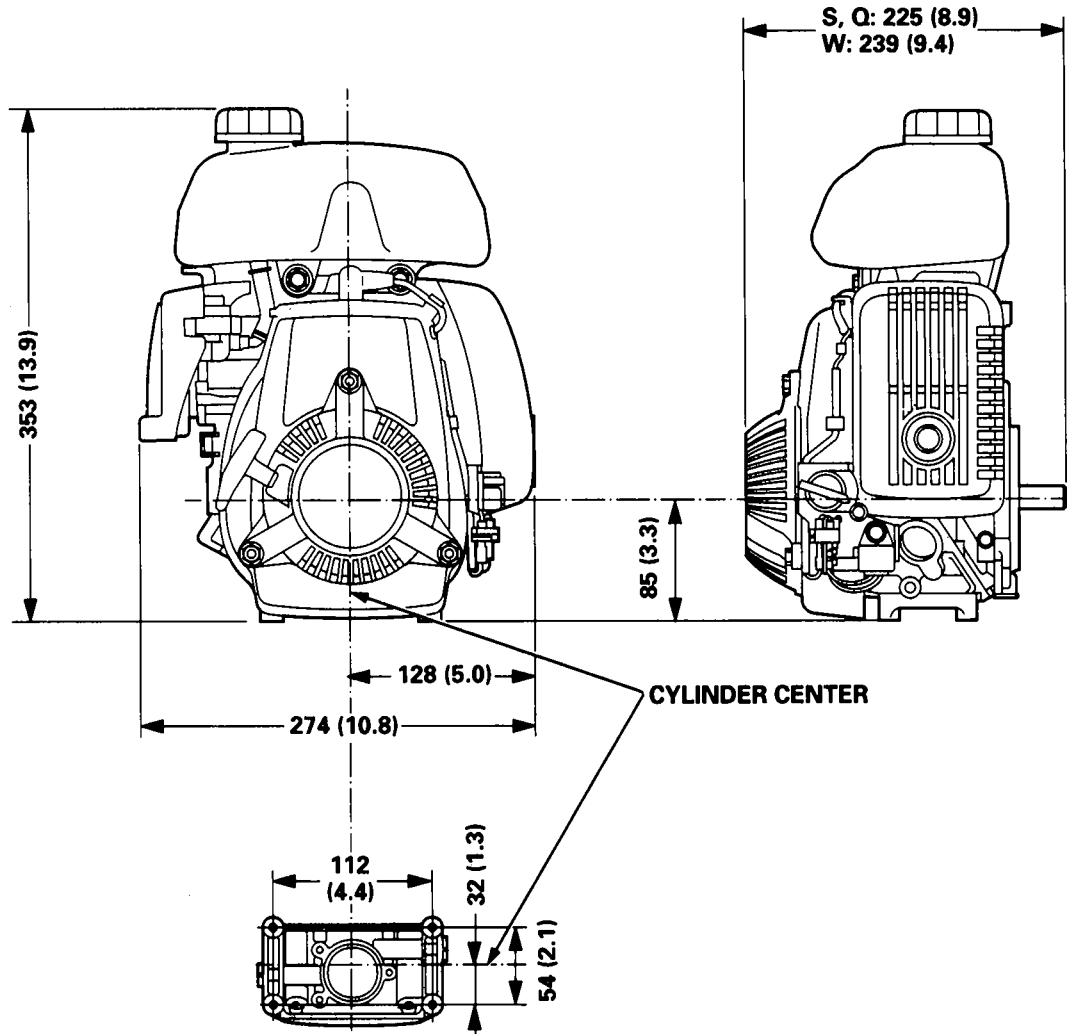


Unit: mm (in)



PTO SHAFT DIMENSIONAL DRAWINGS

Unit: mm (in)

