

Repair Parts Manual
Manual De Repuestos
YTH18542 / 96043025600

Please read the operator's manual carefully and make sure you understand the instructions before using the machine.

Por favor lea cuidadosamente y comprenda estas instrucciones antes de usar esta maquina.



English/Spanish

115 95 02-49



HOW TO USE THIS MANUAL

This manual is designed to provide the customer with a means to identify the parts on his/her tractor when ordering repair parts. The illustrations may or may not represent the actual assemblies; therefore, it is not recommended to use this manual as a guide to assemble or disassemble the tractor. Some hardware and parts are drawn larger in order to more readily identify them.

Each tractor has its own model number. The model number for your tractor can be found on the fender under the seat.

Support / Help

If you require assistance or have questions concerning the application, operation, maintenance or parts for your product:

- Visit our website: www.husqvarna.com
- Call Us Toll Free: 1-800-487-5951

When ordering parts, always give the following information:

- Product - "TRACTOR"
- MODEL NUMBER - "YTH18542" (96043025600)"
- Part Number
- Part Description

TABLE OF CONTENTS

SCHEMATIC	3
ELECTRICAL	4-5
CHASSIS	6-7
DRIVE	8-9
ENGINE	10-11
STEERING	12-13
MOWER DECK	14-15
MOWER LIFT	16
SEAT	17
DECALS	18

COMO UTILIZAR ESTE MANUAL

Este manual está diseñado para brindarle al comprador un medio para identificar las piezas del tractor para cuando necesite hacer el pedido de un repuesto. Las ilustraciones pueden o no representar los ensambles reales; por lo tanto, no se recomienda utilizar este manual como una guía para ensamblar o desarmar el tractor. Algunos accesorios y piezas están dibujados en tamaños más grandes para identificarlos con mayor facilidad.

Cada tractor tiene su propio número de modelo. El número de modelo del tractor se encuentra en el guardabarros debajo del asiento.

Soporte / Ayuda

Si necesita asistencia o tiene alguna pregunta acerca de la aplicación, operación, mantenimiento o piezas de su producto:

- Visite nuestro sitio web: www.husqvarna.com
- Llámenos de manera gratuita al: 1-800-487-5951

Cuando haga el pedido de una pieza, siempre brinde la siguiente información:

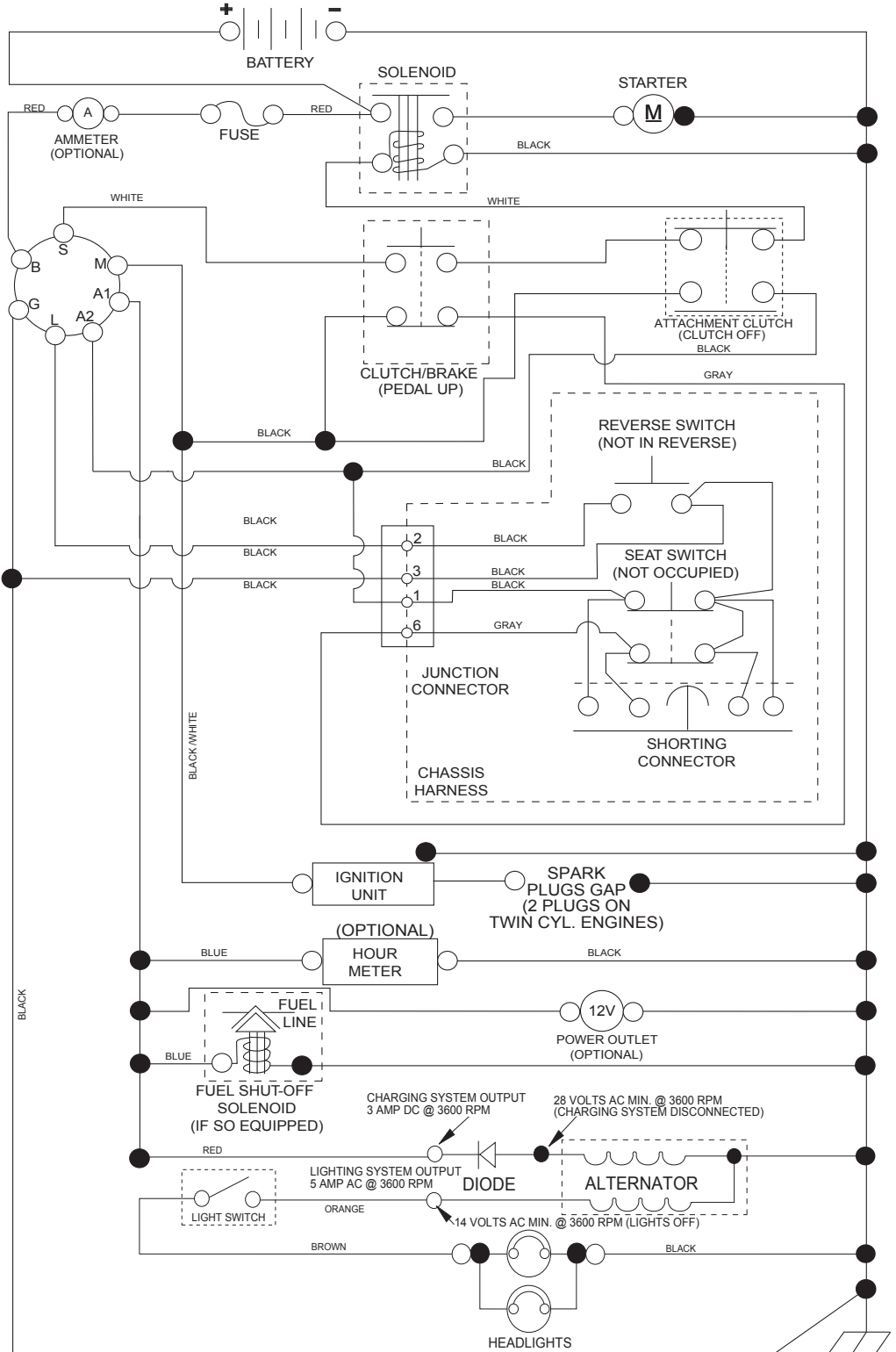
- Producto: "TRACTOR"
- NÚMERO DE MODELO: "YTH18542" (96043025600)"
- Número de pieza
- Descripción de la pieza

ÍNDICE

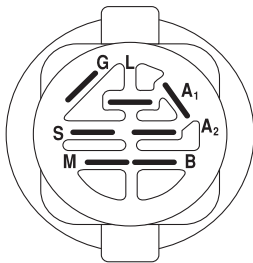
DIAGRAMA	19
DIAGRAMA ELÉCTRICO	20-21
CHASIS	22-23
TRANSMISIÓN	24-25
MOTOR	26-27
DIRECCIÓN	28-29
PLATAFORMA DE LA CORTADORA DE CÉSPED	30-31
ELEVACIÓN DE LA CORTADORA DE CÉSPED	32
ASIENTO	33
CALCOMANÍAS	34

TRACTOR -- MODEL NUMBER YTH18542 (96043025600), PRODUCT NO. 960 43 02-56 SCHEMATIC

SCH11

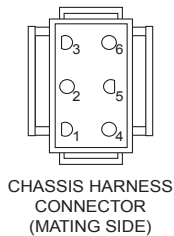


NOTE
YOUR TRACTOR IS EQUIPPED WITH A SPECIAL ALTERNATOR SYSTEM. THE LIGHTS ARE NOT CONNECTED TO THE BATTERY, BUT HAVE THEIR OWN ELECTRICAL SOURCE. BECAUSE OF THIS, THE BRIGHTNESS OF THE LIGHTS WILL CHANGE WITH ENGINE SPEED. AT IDLE THE LIGHTS WILL DIM. AS THE ENGINE IS SPEEDED UP, THE LIGHTS WILL BECOME THEIR BRIGHTEST.



IGNITION SWITCH

POSITION	CIRCUIT "MAKE"
OFF	M+G+A1
RUN/OVERRIDE	B+A1
RUN	B+A1 L+A2
START	B+S+A1



CHASSIS HARNESS CONNECTOR (MATING SIDE)



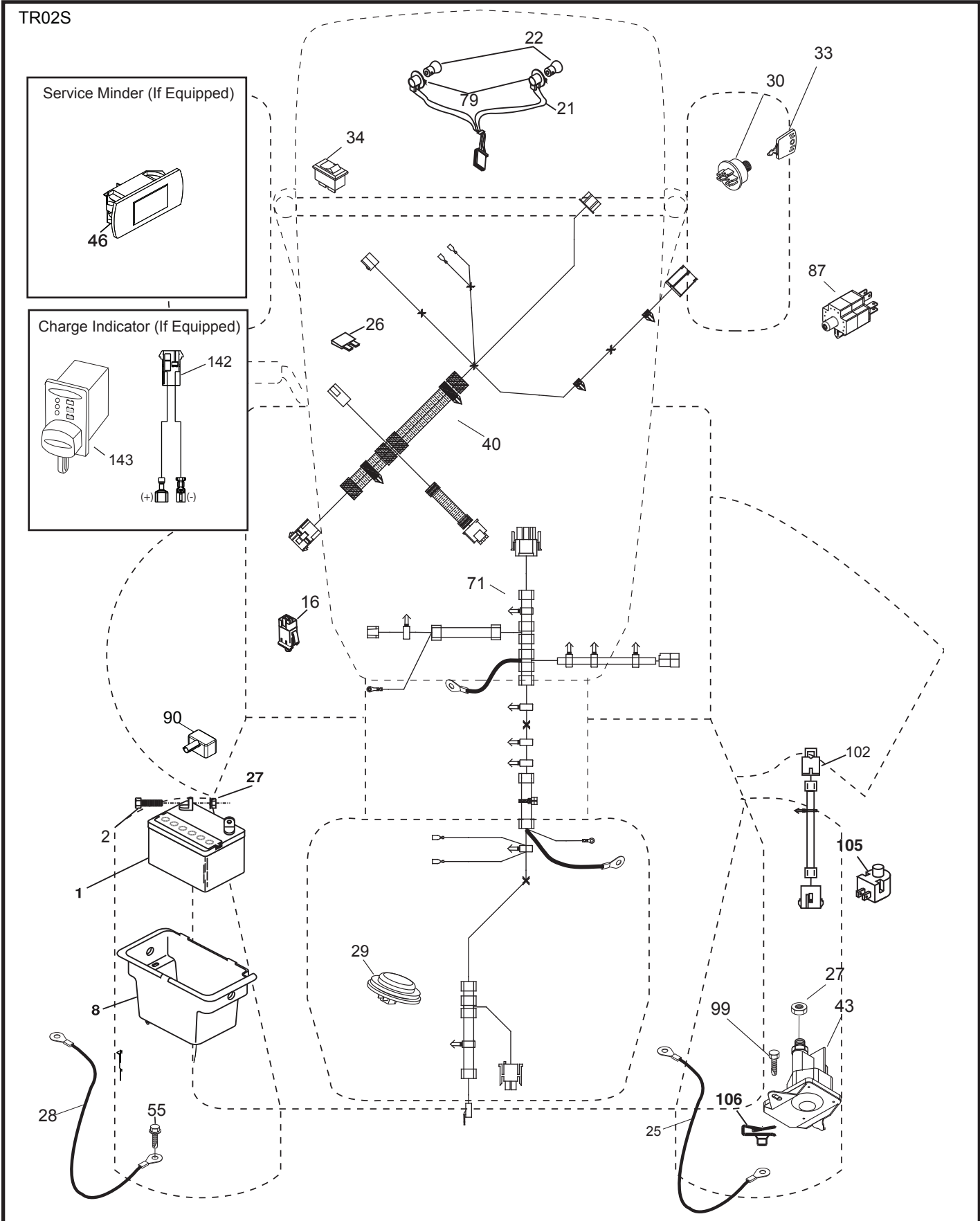
DASH HARNESS CONNECTOR (MATING SIDE)

WIRING INSULATED CLIPS
NOTE: IF WIRING INSULATED CLIPS WERE REMOVED FOR SERVICING OF UNIT, THEY SHOULD BE RE-INSTALLED TO PROPERLY SECURE YOUR WIRING.

NON-REMOVABLE CONNECTIONS

REMOVABLE CONNECTIONS

**TRACTOR -- MODEL NUMBER YTH18542 (96043025600), PRODUCT NO. 960 43 02-56
ELECTRICAL**

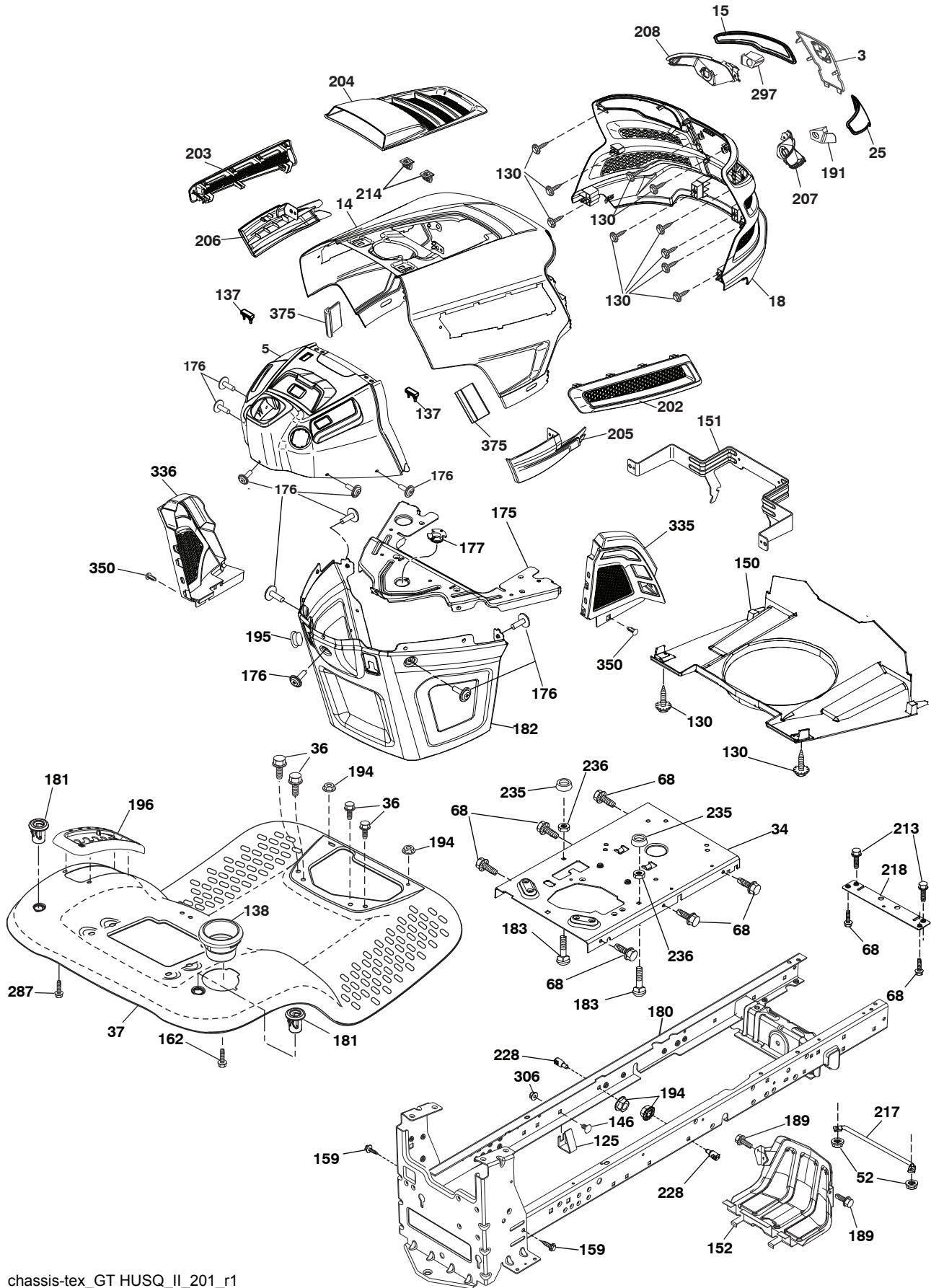


**TRACTOR -- MODEL NUMBER YTH18542 (96043025600), PRODUCT NO. 960 43 02-56
ELECTRICAL**

KEY NO.	PART NO.	DESCRIPTION
1	532 16 34-65	Battery
2	874 76 04-12	Bolt Hex Head 1/4-20 x 3/4
8	532 19 32-28	Box Battery
16	532 17 61-38	Switch Interlock Push-In
21	532 40 02-52	Harness Socket Light w/4152J
22	532 00 41-52	Bulb Light
25	581 49 80-01	Cable Starter
26	532 17 51-58	Fuse
27	873 51 04-00	Nut Keps Hex 1/4-20 unc
28	532 42 16-86	Cable, Ground
29	532 40 15-45	Switch, Seat
30	532 19 33-50	Switch, Ign
33	532 41 19-33	Key/Chain
34	532 11 07-12	Switch Light/Reset
40	581 02 31-01	Harness Ign. Dash
43	582 04 28-01	Solenoid
55	817 06 05-12	Screw Thdrol 5/16-18 x 3/4
71	501 13 37-01	Harness Chassis
79	532 17 52-42	Socket Asm Bulb Twistlock
87	532 19 78-02	Switch Interlock Clutch Cable
90	532 43 53-95	Cover, Terminal Battery
99	817 67 04-12	Screw
102	532 40 44-54	Harness Pigtail
105	532 40 75-68	Switch Reverse
106	532 17 48-14	Pal nut

NOTE: All component dimensions given in U.S. inches
1 inch = 25.4 mm

TRACTOR -- MODEL NUMBER YTH18542 (96043025600), PRODUCT NO. 960 43 02-56
CHASSIS



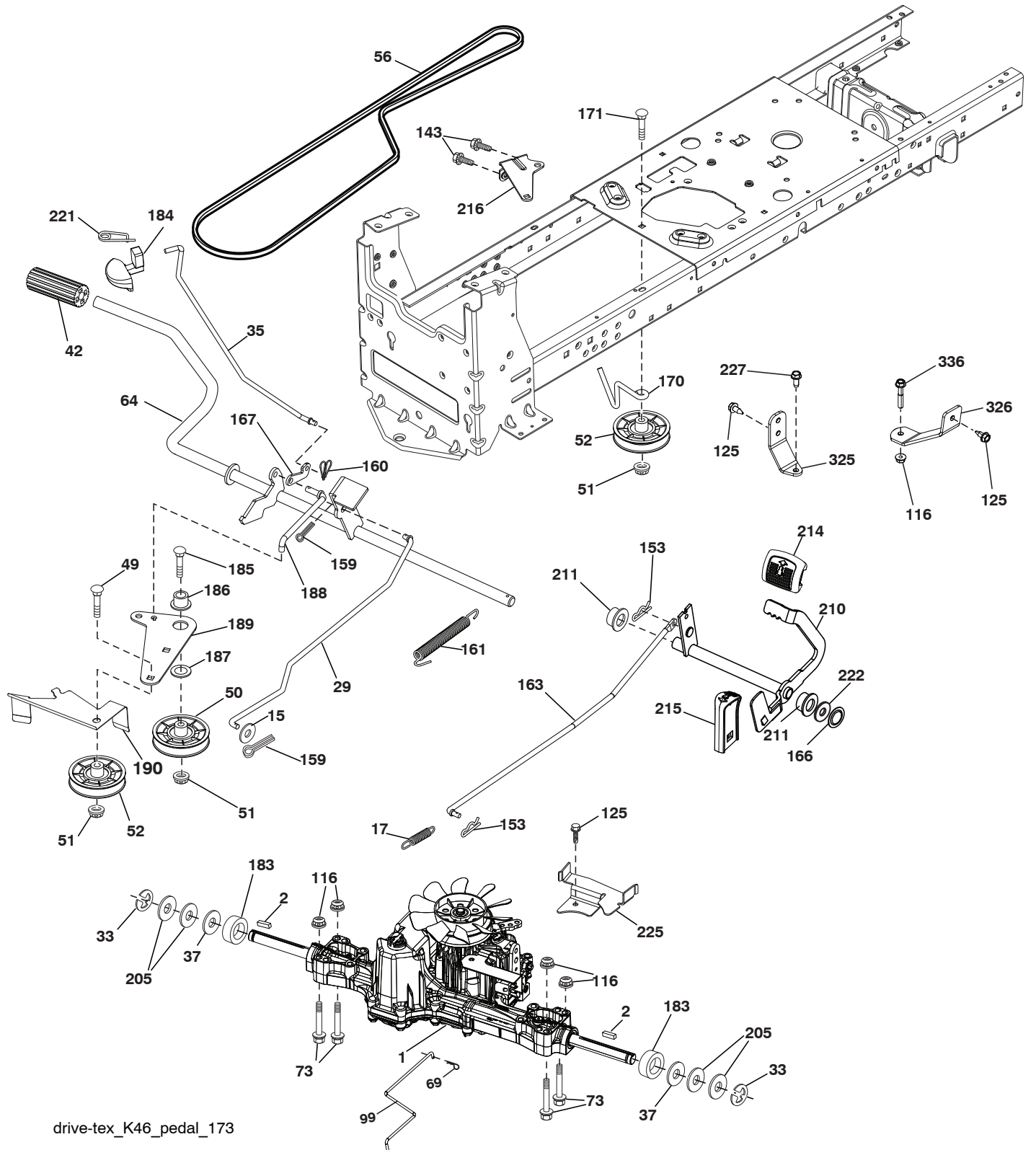
chassis-tex_GT HUSQ_II_201_r1

**TRACTOR -- MODEL NUMBER YTH18542 (96043025600), PRODUCT NO. 960 43 02-56
CHASSIS**

KEY NO.	PART NO.	DESCRIPTION	KEY NO.	PART NO.	DESCRIPTION
3	532 44 44-81	Applique Sub Asm.	194	873 90 05-00	Nut Lock Hex Flange 5/16-18
5	581 46 68-01	Dash	195	532 40 41-37	Plug Dash
14	532 44 11-77	Hood	196	532 43 96-47	Console Asm. Deck Lift
15	532 43 97-33	Lens LH	202	532 43 97-28	Vent Side Hood RH
18	532 44 06-53	Grille	203	532 43 97-27	Vent Side Hood LH
25	532 44 33-85	Lens RH	204	532 43 57-14	Vent Top Hood
34	580 91 08-01	Plate Engine	205	532 43 97-30	Trim Side RH
36	817 06 05-12	Screw 5/16-18 x 3/4	206	532 43 97-29	Trim Side LH
37	532 44 12-06	Fender	207	532 43 97-34	Bezel RH
52	873 68 05-00	Nut Crown Lock 5/16	208	532 43 97-35	Bezel LH
68	539 99 08-58	Screw THDROL 5/16-18 x 1/2	213	874 76 05-12	Bolt 5/16-18 x 3/4
125	581 68 48-01	Clip Fuel Line	214	532 19 91-45	Clip Retainer
130	532 41 63-58	Screw #10 x 0.750 BOS Thread	217	532 40 91-67	Rod Pivot Hood
137	532 40 75-90	Bumper Dash	218	532 19 63-95	X-Piece Hood Stop
138	532 43 97-47	Cupholder	228	532 19 51-61	Stud Fastener
146	581 85 79-01	Bolt RDHD SHT SQNK 3/8-16 x 5/8	235	532 40 61-29	Spacer Fender
150	532 43 99-21	Air Duct	236	873 93 05-00	Nut Lock 5/16-18 unc
151	532 43 66-70	Hood Pivot Bracket	287	817 60 04-06	Screw Hex Washhead 1/4-20 x 3/8
152	532 43 98-70	Shield Browning	297	532 43 74-56	Insert Reflective LH
159	817 00 06-12	Screw Hexwash Thor 3/8-16 x 3/4	306	873 90 06-00	Nut Lock Flg 3/8-16 unc
162	532 14 24-32	Screw	335	532 44 82-04	Cover RH
175	590 60 77-02	Crossmember Plate	336	532 44 53-09	Cover LH
176	532 40 07-76	Screw 10-24 x 5/8	350	532 44 51-43	Clip X-mas Tree
177	532 19 52-28	Bushing Steering	375	586 90 82-01	Dash Clip-On Bumper
180	532 19 54-57	Chassis	--	532 43 99-76	Dash Plug Reminder
181	532 43 97-46	Bushing Mtg. Fender Crgo			
182	586 73 86-02	Dash Lower			
183	874 52 05-20	Bolt 5/16-18 x 1-1/4 Full Thd			
189	817 00 05-12	Screw 5/16-18 x 3/4			
191	532 43 74-55	Insert Reflective RH			

NOTE: All component dimensions given in U.S. inches
1 inch = 25.4 mm

TRACTOR -- MODEL NUMBER YTH18542 (96043025600), PRODUCT NO. 960 43 02-56
DRIVE



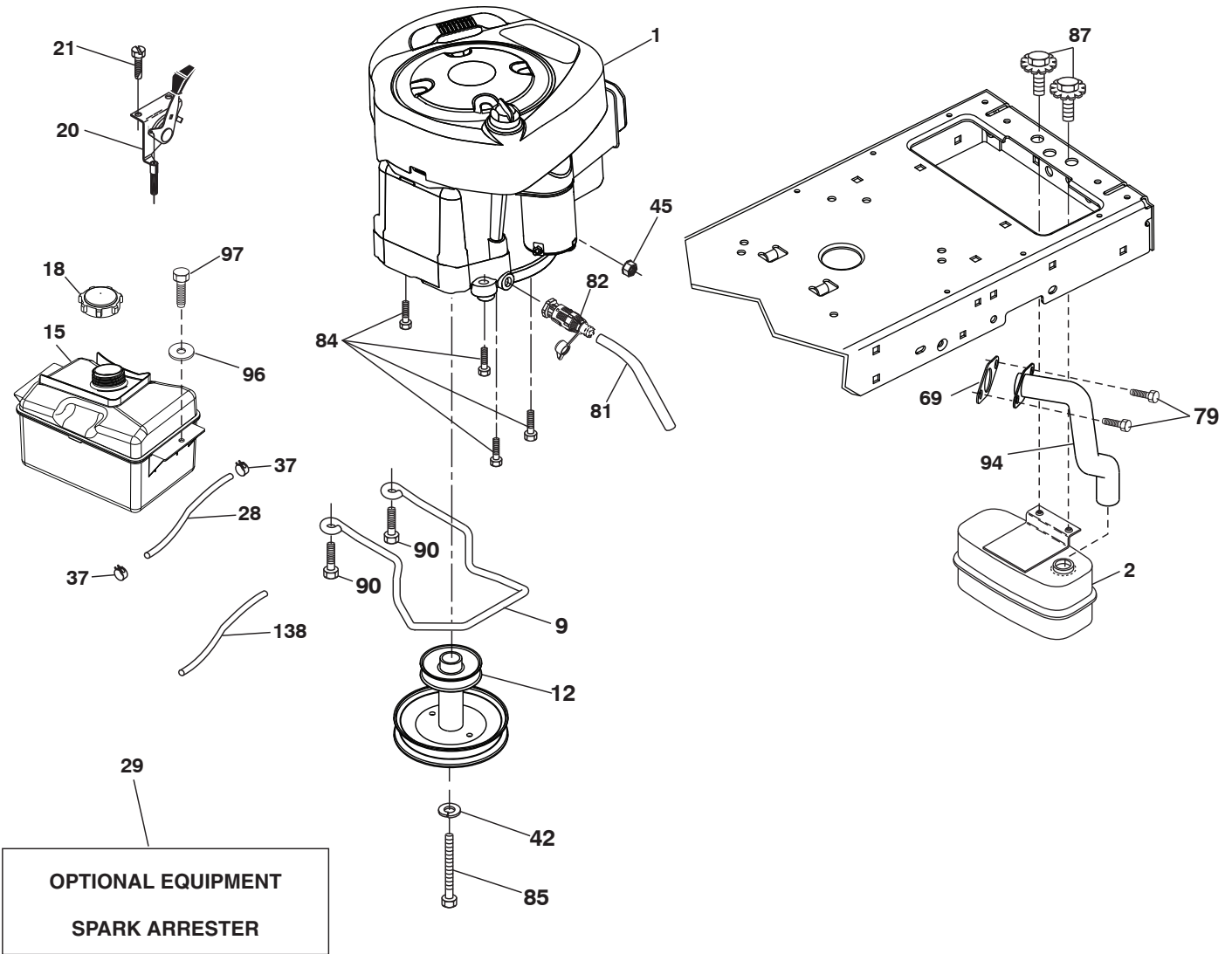
drive-tex_K46_pedal_173

**TRACTOR -- MODEL NUMBER YTH18542 (96043025600), PRODUCT NO. 960 43 02-56
DRIVE**

KEY NO.	PART NO.	DESCRIPTION	KEY NO.	PART NO.	DESCRIPTION
1	-- -- -- --	Transaxle, TUFFTORQ K46 BT (426120) (Order parts from trans-axle manufacturer.)	183	532 13 70-57	Spacer Split
2	532 12 35-83	Key	184	587 65 37-01	Handle Parking Brake
15	819 13 13-16	Washer 13/32 x 13/16 x 16 Ga.	185	872 11 06-22	Bolt Rdhd. Sqnk. 3/8-16 x 2-3/4 Gr. 5
17	532 41 36-78	Spring Brake	186	532 19 43-21	Spacer Retainer
29	532 40 38-06	Rod, Brake	187	819 13 32-10	Washer
33	812 00 00-01	Ring E	188	582 21 70-01	Link Clutch Ground Drive, Long
35	583 86 45-01	Rod Brake Park	189	532 19 43-17	Bellcrank Ground Drive
37	532 18 89-67	Washer Hardened	190	532 19 43-18	Keeper Bellcrank Ground Drive
42	532 12 48-72	Cover Foot Pedal	205	532 12 17-48	Washer
49	872 11 06-14	Bolt	210	532 40 09-80	Rocker Asm Pedel Control
50	532 19 43-27	Pulley Idler Flat	211	532 12 01-83	Bearing Nylon
51	873 90 06-00	Lock Nut 3/8-16	214	532 42 12-63	Pedal Forward Pad
52	532 19 43-26	Idler V-Groove	215	586 60 65-02	Pedal Reverse
56	532 13 09-69	V-Belt Drive	216	532 19 61-31	Bracket Pulley Idler
64	532 19 78-65	Shaft Asm. Pedal Brake Control	221	532 40 31-87	Retainer Spring Clip Handle
69	532 42 33-03	Hairpin	222	879 21 20-10	Washer 21/32 x 1-1/4 10 Ga.
73	874 49 05-40	Bolt 5/16-18 x 2-1/2 Gr. 5	225	532 40 33-19	Keeper Belt Trans.
99	582 40 45-01	Rod Asm. Bypass	227	817 49 05-12	Screw 5/16-18 x 3/4
116	873 90 05-00	Nut Lock Hex Flange 5/16-18	325	585 66 85-02	Torque Strap K46 LT RH
125	817 00 05-12	Screw 5/16-18 x 3/4	326	585 67 08-02	Bracket TRQ STP 46 20" Tire RH
143	539 99 08-58	Screw 5/16-18 x 1/2	336	587 25 96-01	Bolt 5/16 - 18 x 1-3/4 Flanged
153	532 12 47-88	Retainer Spring			
159	876 02 04-12	Pin Cotter 1/8 x 3/4			
160	532 16 94-84	Retainer Clip			
161	532 10 57-09	Spring Return Clutch			
163	532 44 82-75	Rod Control Pedal			
166	532 42 91-64	Nut Push			
167	532 40 52-57	Latch Brake Parking			
170	532 19 43-22	Keeper Belt Centerspan			
171	872 11 06-16	Bolt Rdhd. Sqnk. 3/8-16 unc x 2			

NOTE: All component dimensions given in U.S. inches
1 inch = 25.4 mm

**TRACTOR -- MODEL NUMBER YTH18542 (96043025600), PRODUCT NO. 960 43 02-56
ENGINE**



engine-tex_BS_134

**TRACTOR -- MODEL NUMBER YTH18542 (96043025600), PRODUCT NO. 960 43 02-56
ENGINE**

KEY NO.	PART NO.	DESCRIPTION
1	---	Engine Briggs Model No. 33R777-0003-G1(585564601) (Order parts from engine manufacturer.)
2	532 44 67-60	Muffler
9	501 83 26-01	Keeper Belt Engine
12	586 47 85-01	Pulley Engine
15	532 43 30-04	Tank Fuel
18	581 17 61-01	Cap Fuel
20	532 18 38-97	Control Throttle
21	532 41 63-58	Screw #10 x 0.750 BOS Thread
28	532 40 11-37	Fuel Line
29	532 13 71-80	Spark Arrester Kit
37	532 12 34-87	Clamp Hose
42	539 99 02-47	Washer SLW STD 7/16
45	873 51 04-00	Nut Keps Hex 1/4-20 unc
69	532 16 52-91	Gasket
79	532 19 23-34	Screw 5/16-18 x 3/4
81	532 14 84-56	Tube Drain Oil Easy
82	532 42 82-87	Valve Drain Oil
84	817 06 06-20	Screw 3/8-16 x 1/4
85	501 60 65-01	Bolt Hex 7/16-20 x 4 Gr. 5
87	532 17 18-77	Bolt 5/16-18 unc x 3/4 w/sems
90	817 00 06-16	Screw 3/8-16 x 1
94	581 88 09-01	Exhaust Tube
96	819 09 14-16	Washer 9/32 x 7/8 x 16 Ga.
97	817 67 04-12	Screw 1/4-20 x 3/4
138	532 41 41-19	Purge Line

NOTE: All component dimensions given in U.S. inches
1 inch = 25.4 mm

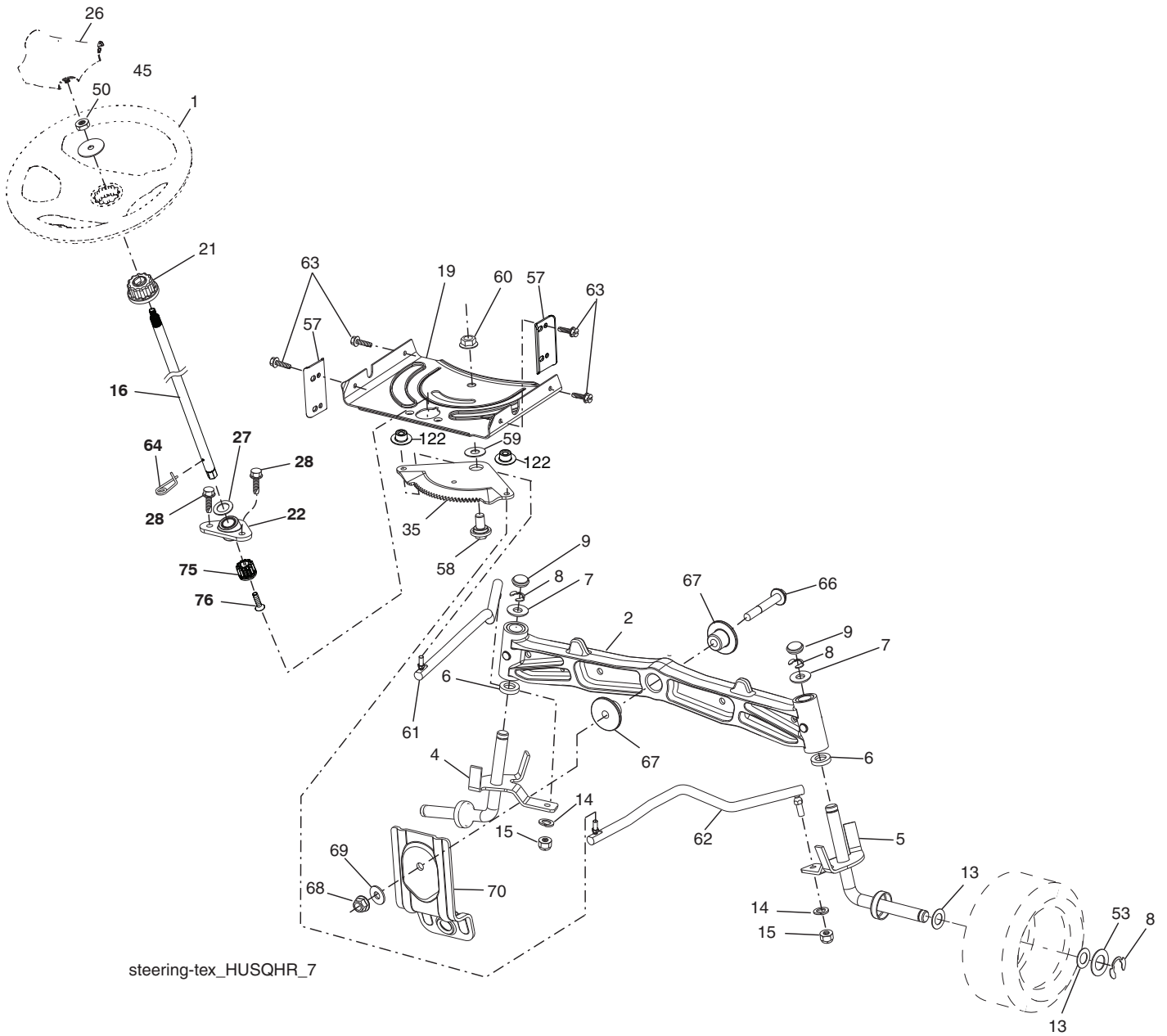
For engine service and replacement parts, call the toll free number for your engine manufacturer listed below:

Briggs & Stratton 1-800-233-3723

Engine Power Rating Information

The gross power rating for individual gas engine models is labeled in accordance with SAE (Society of Automotive Engineers) code J1940 (Small Engine Power & Torque Rating Procedure), and rating performance has been obtained and corrected in accordance with SAE J1995 (Revision 2002-05). Torque values are derived at 3060 RPM; horsepower values are derived at 3600 RPM. Actual gross engine power will be lower and is affected by, among other things, ambient operating conditions and engine-to-engine variability. Given both the wide array of products on which engines are placed and the variety of environmental issues applicable to operating the equipment, the gas engine will not develop the rated gross power when used in a given piece of power equipment (actual "on-site" or net power). This difference is due to a variety of factors including, but not limited to, accessories (air cleaner, exhaust, charging, cooling, carburetor, fuel pump, etc.), application limitations, ambient operating conditions (temperature, humidity, altitude), and engine-to-engine variability. Due to manufacturing and capacity limitations, Briggs & Stratton may substitute an engine of higher rated power for this Series engine.

TRACTOR -- MODEL NUMBER YTH18542 (96043025600), PRODUCT NO. 960 43 02-56
STEERING ASSEMBLY



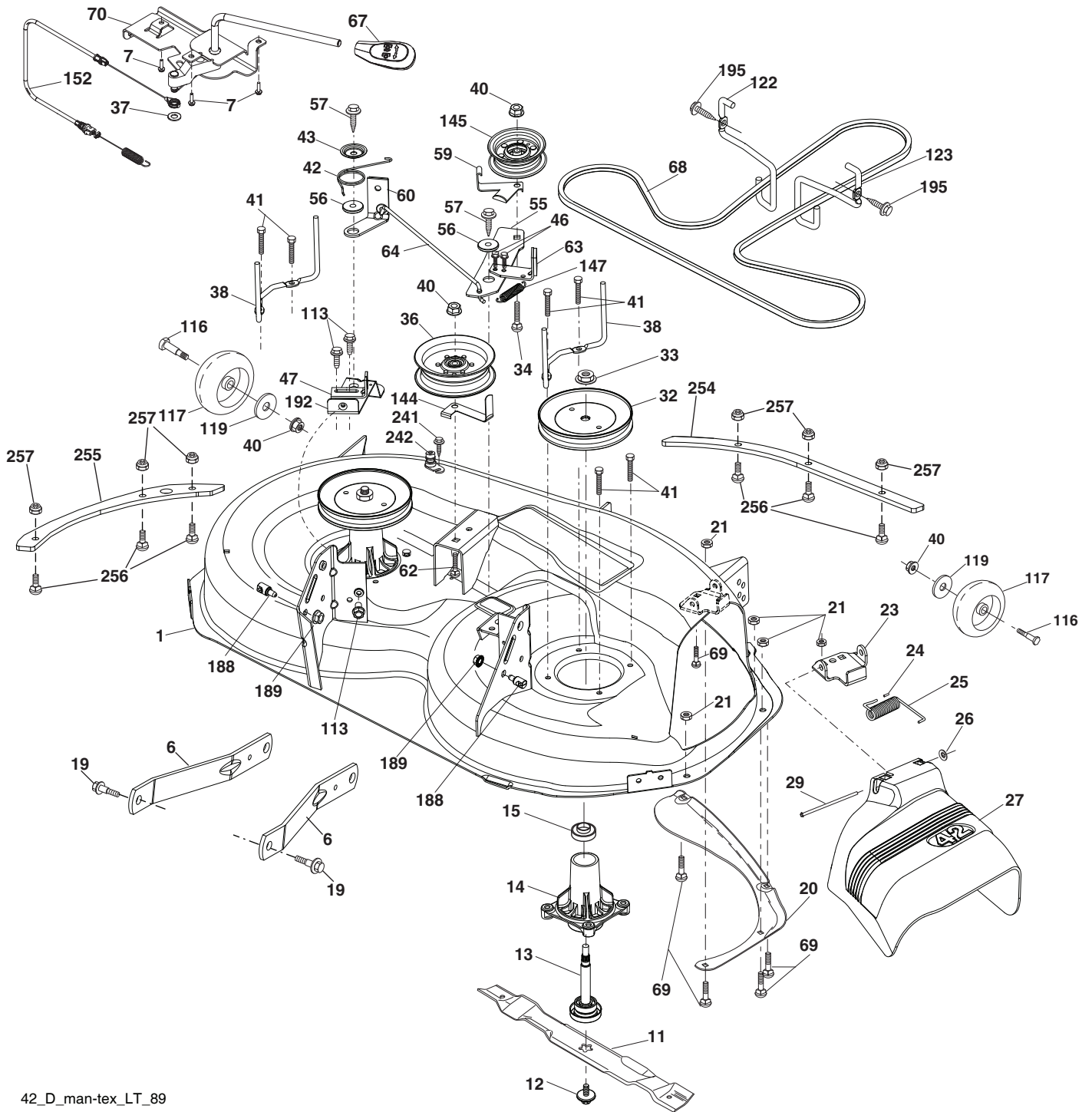
steering-tex_HUSQHR_7

**TRACTOR -- MODEL NUMBER YTH18542 (96043025600), PRODUCT NO. 960 43 02-56
STEERING ASSEMBLY**

KEY NO.	PART NO.	DESCRIPTION
1	532 43 99-97	Wheel, Steering
2	532 19 59-68	Axle Asm., Front
4	532 40 30-87	Spindle Asm., LH
5	532 40 30-88	Spindle Asm., RH
6	532 12 49-31	Bearing, Race Thrust Harden
7	532 12 17-48	Washer 25/32 x 1-5/8 x 16 Ga.
8	812 00 00-29	Ring, Klip #T5304-75
9	532 12 12-32	Cap, Spindle
13	532 12 17-49	Washer 25/32 x 1-1/4 x 16 Ga.
14	539 99 01-18	Washer, SLW ZD 3/8
15	873 54 06-00	Nut, Crown Lock 3/8-24 unf
16	587 01 60-02	Shaft Steering
19	532 19 47-29	Plate Steering
21	586 84 02-01	Adapter Wheel Steering
22	585 02 98-02	Bearing
26	532 43 97-43	Insert, Wheel Steering
27	819 21 16-16	Washer
28	817 00 06-12	Screw 3/8-16 x 3/4
35	532 19 47-32	Gear, Sector Plate
45	587 01 64-01	Washer 3/8 ID 2-3/8 OD 12 Ga. PLTD
50	873 90 06-00	Nut Lock Flg 3/8-16 unc
53	532 18 89-67	Washer Hardened .793 x 1.637 x .060
57	532 40 74-65	Bracket Upstop
58	532 19 47-47	Bolt Shoulder Sector Pivot CFM
59	532 19 47-48	Washer Thrust Sector Steering
60	873 97 10-00	Nut Flange Lock 5/8-11
61	532 19 47-40	Draglink, LH
62	532 19 47-41	Draglink, RH
63	817 00 05-12	Screw 5/16-18 x 3/4
64	532 19 98-49	Retainer Clip Spring Steering
66	871 02 07-48	Bolt Hex Fghd 7/16-14 x 3 Serr
67	532 19 47-37	Bushing PM Front Axle
68	873 90 07-00	Nut Lock Flange 7/16-14 Gr. 5
69	532 19 91-62	Washer 1.5 x .505 x .118
70	585 33 88-01	Bracket Deck Susp. Front
75	580 68 37-01	Pinion
76	580 68 36-01	Screw Head Sock
122	532 44 49-62	Cap Gear Sector

NOTE: All component dimensions given in U.S. inches
1 inch = 25.4 mm

**TRACTOR -- MODEL NUMBER YTH18542 (96043025600), PRODUCT NO. 960 43 02-56
MOWER DECK**



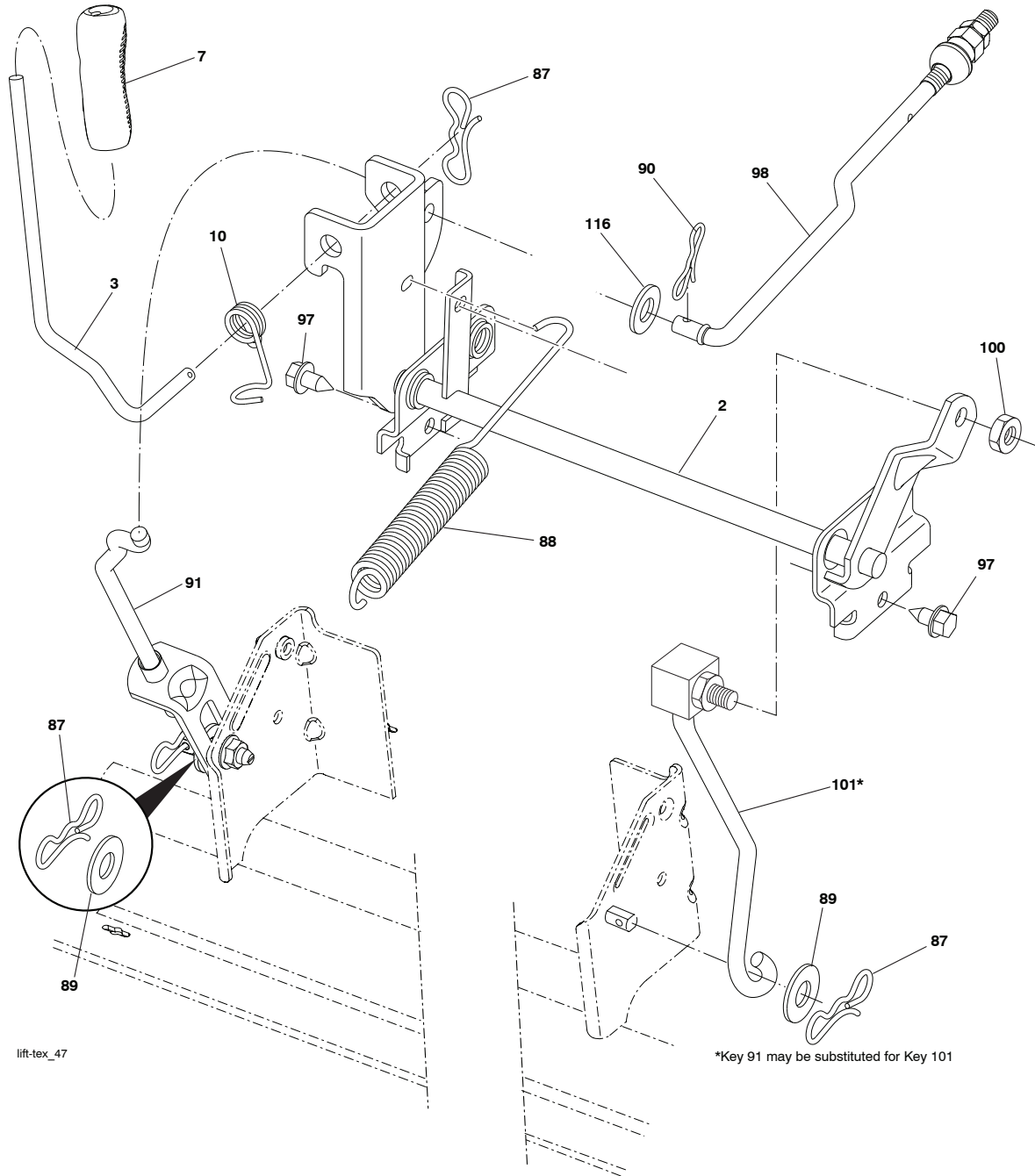
42_D_man-tex_LT_89

**TRACTOR -- MODEL NUMBER YTH18542 (96043025600), PRODUCT NO. 960 43 02-56
MOWER DECK**

KEY NO.	PART NO.	DESCRIPTION	KEY NO.	PART NO.	DESCRIPTION
1	532 44 12-75	Mower Housing	63	532 19 94-77	Arm Brake Mower
6	532 19 51-86	Arm Suspension	64	532 19 99-18	Link Brake
7	532 41 63-58	Screw #10 x .750 BOS Thread	67	532 40 30-12	Handle Clutch Cable
11	532 13 89-71	Blade, 42" Hi-Lift (For bagging or discharge)	68	532 42 96-36	V-Belt
12	584 30 93-01	Screw	69	872 14 05-05	Bolt
13	587 25 65-01	Shaft Assembly, Mandrel	70	532 19 99-72	Clutch Asm Manual
14	532 18 72-81	Housing, Mandrel	113	817 00 05-10	Screw 5/16-18
15	585 32 39-01	Bearing, Mandrel	116	532 12 48-42	Bolt, Shoulder
19	532 19 65-39	Bolt, Shoulder	117	589 52 74-01	Wheel, Gauge
20	532 15 97-70	Baffle, Vortex	119	819 12 14-14	Washer 13/32 x 7/8 x 14 Ga.
21	873 68 05-00	Nut, Crownlock 5/16-18 unc	122	532 19 72-58	Keeper Belt Engine LH
23	532 19 25-57	Bracket, Deflector	123	532 19 72-59	Keeper Belt Engine RH
24	532 10 53-04	Cap, Sleeve	144	532 19 92-04	Keeper Belt
25	532 19 70-26	Spring, Torsion, Deflector	145	532 19 31-97	Pulley Idler
26	532 11 04-52	Nut, Push	147	532 40 19-71	Spring Return
27	532 40 30-04	Shield, Deflector	152	584 24 35-01	Manual Clutch Cable
29	532 13 14-91	Rod, Hinge	188	532 19 51-61	Stud Fastener
32	532 19 74-73	Pulley, Mandrel	189	873 90 05-00	Nut Lock Hex Flange
33	532 40 02-34	Nut, Toplock, Flanged	192	532 19 72-60	Bracket Brake Stand LH
34	872 11 06-12	Bolt Carr Sh. 3/8-16 x 1-1/2 Gr. 5	195	817 00 06-12	Screw 3/8-16 x 3/4
36	532 19 73-79	Pulley, Idler, Flat	241	532 15 29-27	Screw TT #10-32 5 3/8 Flange
37	819 13 13-16	Washer	242	532 41 55-98	Port Washout
38	532 43 25-20	Keeper Belt Mandrel	254	585 31 68-05	Plate Reinforcement Front
40	873 90 06-00	Nut, Lock Flg. 3/8-16 unc	255	585 31 70-05	Plate Reinforcement Side
41	584 95 39-01	Bolt Hex Wshrd 3/8-18 x 1.19	256	539 10 98-00	Carriage Bolt 1/4-20 x 1 Gr. 5
42	532 19 84-10	Spring Torsion Brake	257	873 90 04-00	Nut Hex Flange 1/4-20 unc
43	532 19 72-56	Spring Torsion Retainer	--	532 41 64-05	Coupling Quick connect
46	532 13 77-29	Screw Thd Roll 1/4-20 x 5/8	--	587 25 33-01	Mandrel Assembly (Includes hous- ing (Key# 14), shaft assembly (Key# 13), and bearing (Key# 15) and nut (Key# 33) only - pulley/washer and blade bolt/washers not included.)
47	532 19 72-50	Bracket Clutch Cable	--	532 44 78-93	Replacement Mower, Complete
55	532 43 71-10	Arm, Idler			
56	532 19 90-92	Spacer, Retainer			
57	817 00 06-16	Screw 3/8-16 x 1			
59	532 14 10-43	Guard, Tuv Idler			
60	532 19 72-61	Arm Brake Mower			
62	872 11 06-16	Bolt Rd Hd Sq Nk 3/8-16 unc x 2			

NOTE: All component dimensions given in U.S. inches
1 inch = 25.4 mm

**TRACTOR -- MODEL NUMBER YTH18542 (96043025600), PRODUCT NO. 960 43 02-56
MOWER LIFT**



lift-tex_47

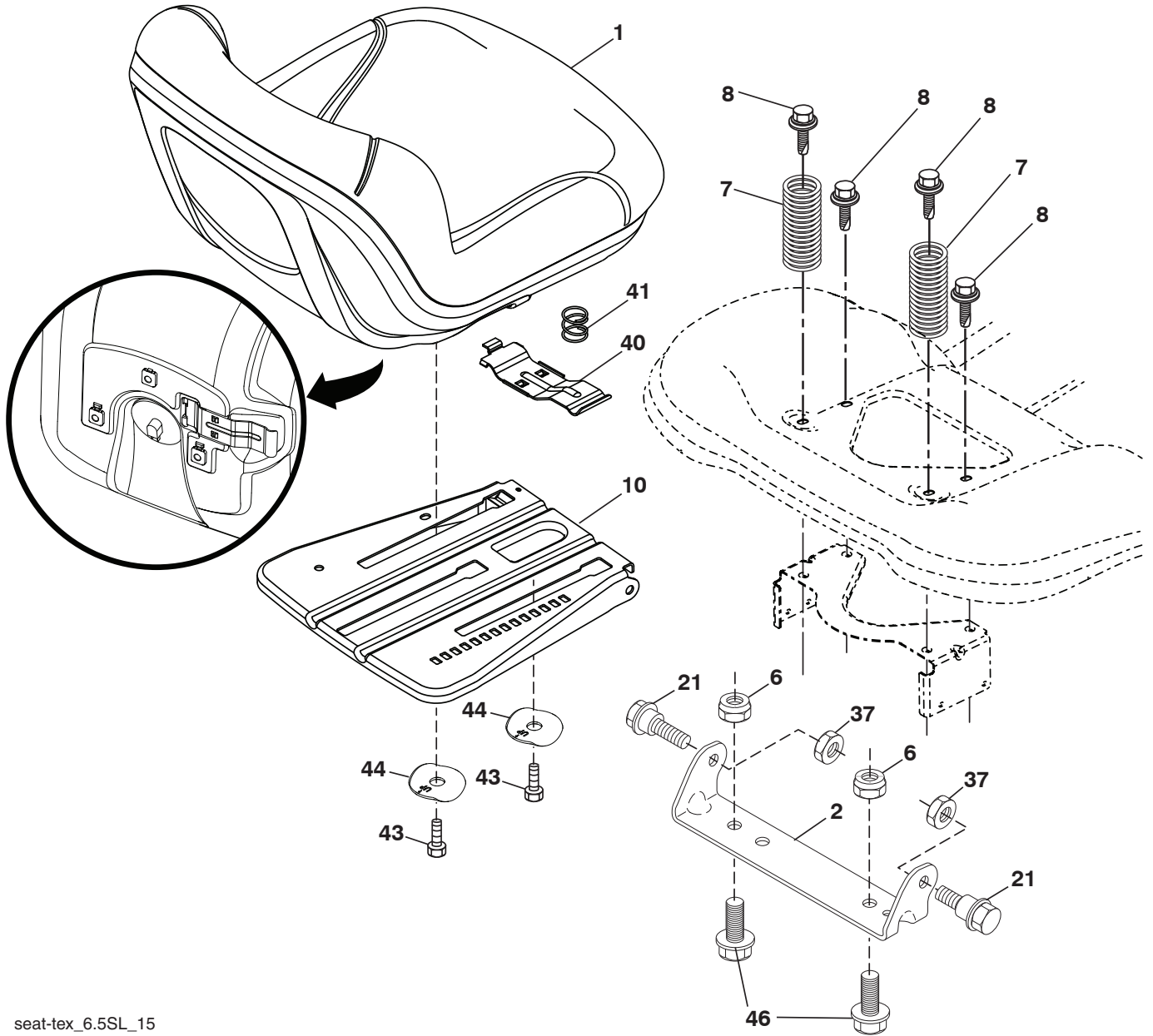
*Key 91 may be substituted for Key 101

KEY NO.	PART NO.	DESCRIPTION
2	532 42 20-27	Shaft Asm., Lift
3	532 19 52-31	Lever Asm., Lift RH
7	580 96 23-01	Grip, Lever
10	532 19 63-14	Spring Torsion
87	532 19 42-09	Pin Cotter 7/16 Bow Tie Lock
88	532 41 07-10	Spring Lift Assist
89	819 19 19-12	Washer Clear Zinc
90	532 19 42-08	Pin Cotter 5/16 Bow Tie Lock

KEY NO.	PART NO.	DESCRIPTION
91	532 19 51-81	Link Asm Lift Rear
97	817 00 06-12	Screw Hex Wsh. THDR 3/8-16 x 3/4
98	532 19 52-70	Link Lift Susp. Front Mower
100	873 93 06-00	Nut Centerlock 3/8-16 unc
101	532 40 70-03	Link Asm. Fixed
116	819 15 15-16	Washer 15/32 x 15/16 x 16 Ga.

NOTE: All component dimensions given in U.S. inches
1 inch = 25.4 mm

**TRACTOR -- MODEL NUMBER YTH18542 (96043025600), PRODUCT NO. 960 43 02-56
SEAT ASSEMBLY**



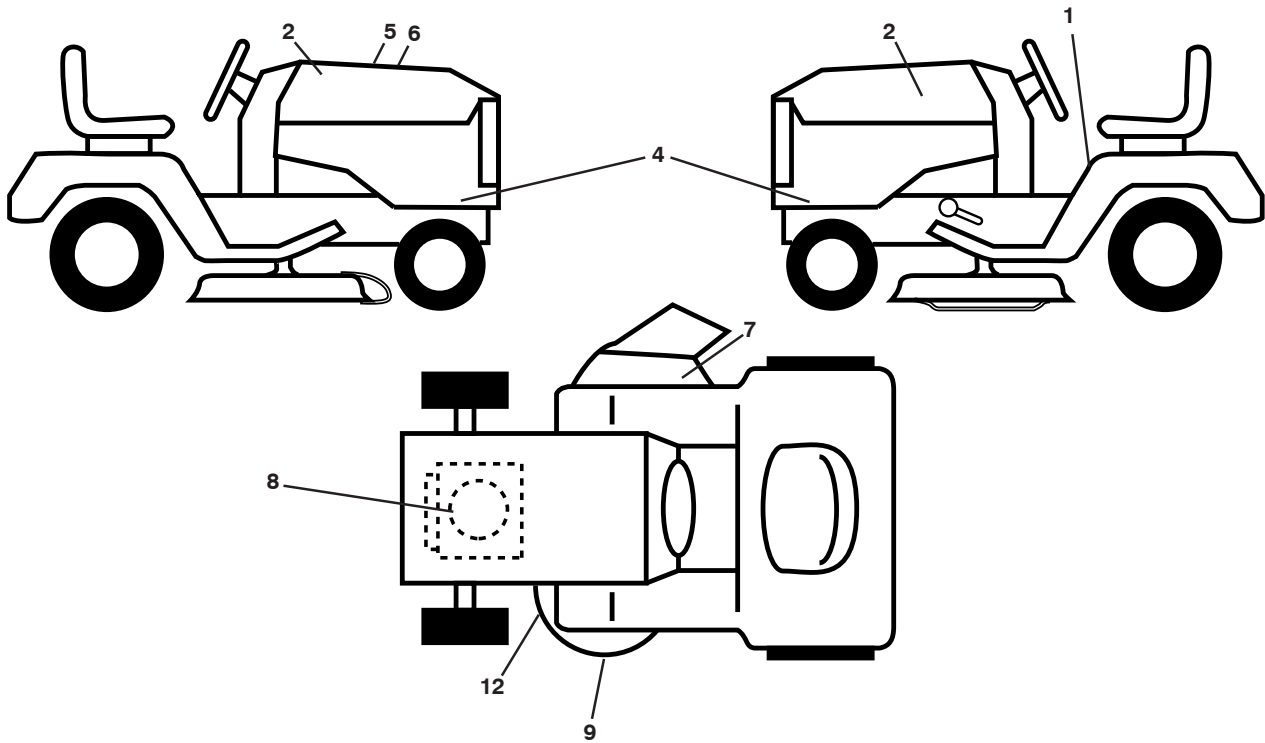
seat-tex_6.5SL_15

KEY NO.	PART NO.	DESCRIPTION
1	532 43 98-19	Seat
2	532 18 01-66	Bracket Pivot Fender
6	873 80 06-00	Nut, Lock w/Ins. 3/8-16 unc
7	589 48 35-01	Spring, Seat Cprsn
8	532 17 18-77	Bolt 5/16-18 unc x 3/4 w/Sems
10	587 23 20-02	Pan, Seat
21	587 90 78-01	Bolt, Shoulder 5/16-18 x 5/8
37	873 80 05-00	Nut, Lock 5/16-18 unc

KEY NO.	PART NO.	DESCRIPTION
40	532 19 76-61	Handle Slide Seat
41	532 19 82-00	Spring Latch Seat
43	874 76 06-12	Bolt Fin Hex 3/8-16 unc x 3/4
44	501 05 18-01	Washer Winged
46	588 09 04-01	Bolt 3/8-16 x 1, 1.25 OD

NOTE: All component dimensions given in U.S. inches
1 inch = 25.4 mm

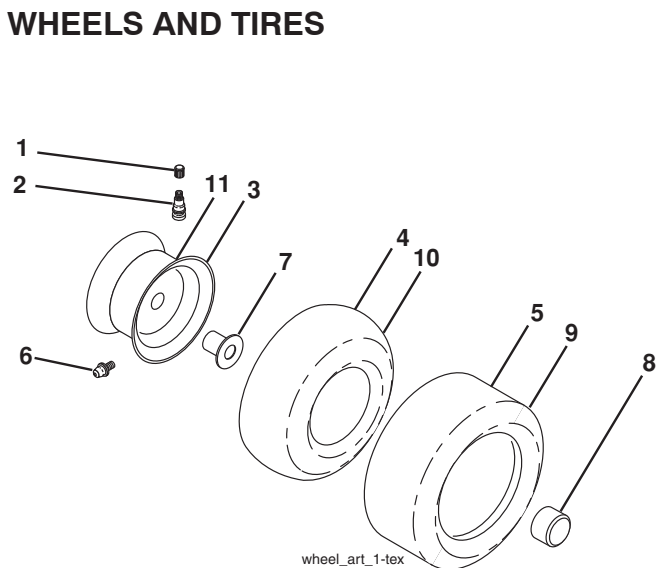
**TRACTOR -- MODEL NUMBER YTH18542 (96043025600), PRODUCT NO. 960 43 02-56
DECALS**



KEY NO.	PART NO.	DESCRIPTION
1	581 57 89-01	Decal, Fender Warn./Instructions
2	581 62 73-01	Decal, Hood Logo
4	585 98 62-01	Decal, Hood Panel
5	532 42 38-29	Decal, Customer Respons.
6	591 08 67-01	Decal, Replacement
7	584 90 46-01	Decal, Deflect. Warning
8	585 55 60-01	Decal, Engine
9	585 71 44-01	Decal Pop Armored
12	581 58 00-01	Decal, Mower V-Belt Schematic

KEY NO.	PART NO.	DESCRIPTION
--	581 72 48-01	Decal, Bypass
--	532 43 96-81	Pad, Footrest, LH
--	532 43 96-82	Pad, Footrest, RH
--	115 95 01-49	Manual, Operator's (English/Spanish)
--	115 95 02-49	Manual, Parts (English/Spanish)
--	587 71 00-26	Manual, Quick Start Guide (English/Spanish)

WHEELS AND TIRES

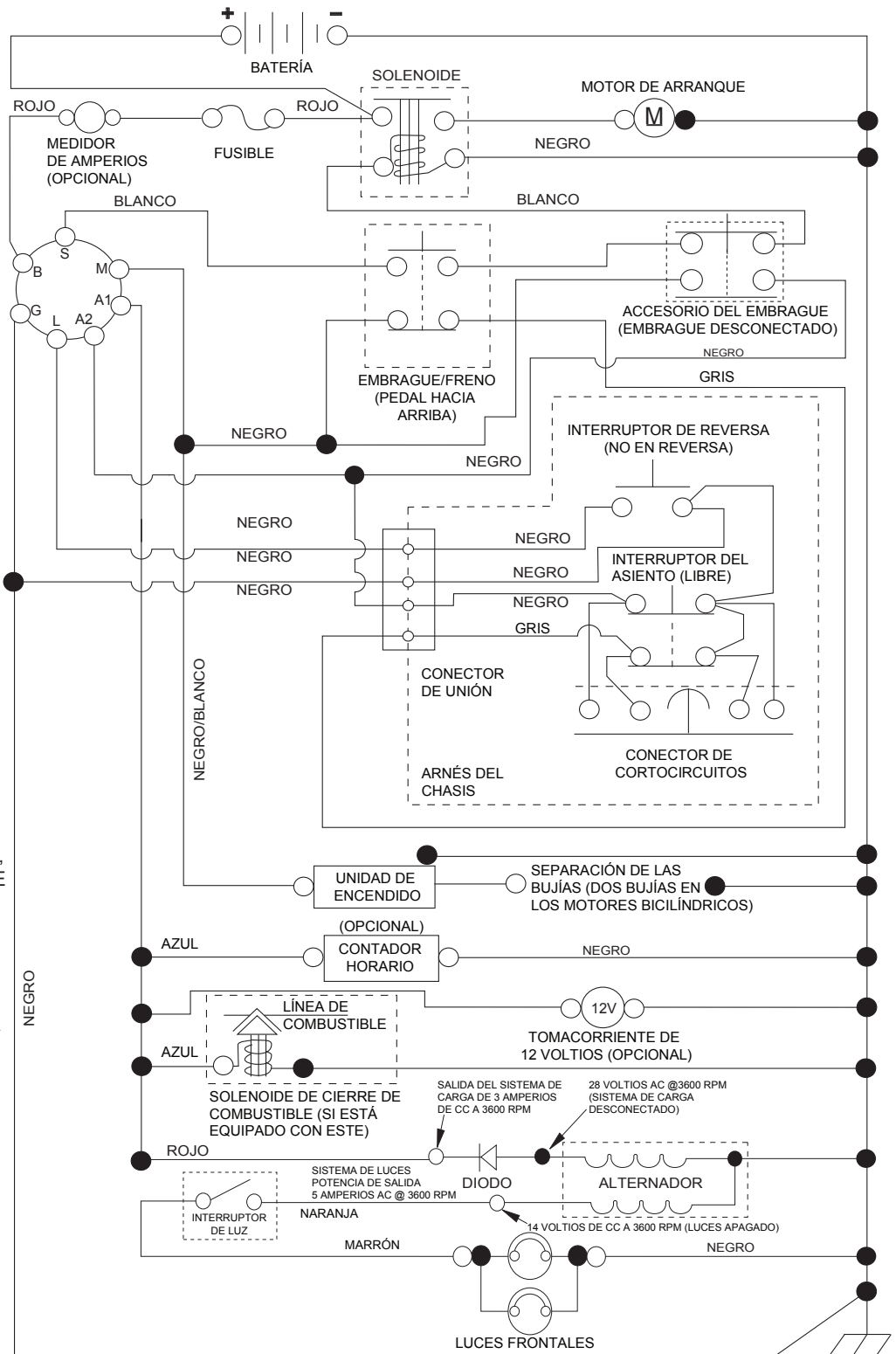


KEY NO.	PART NO.	DESCRIPTION
1	532 05 91-92	Cap Valve Tire
2	532 06 51-39	Stem Valve
3	532 13 83-36	Rim Asm 6" Front
4	532 05 99-04	Tube Front (Service Item Only)
5	532 10 62-22	Tire Front 15 x 6-6
6	532 12 49-57	Fitting Grease (Front Wheel Only)
7	532 12 49-59	Bearing Flange (Front Wheel Only)
8	532 17 50-39	Cap Axle
9	532 13 84-68	Tire Rear 20 x 8-8
10	532 12 49-26	Tube Rear (Service Item Only)
11	532 13 83-37	Rim Asm 8" Rear
--	532 14 43-34	Sealant, Tire (10 oz. Tube)

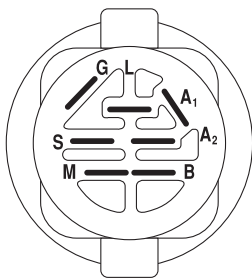
NOTE: All component dimensions given in U.S. inches
1 inch = 25.4 mm

TRACTOR - - MODELO NO. YTH18542 (96043025600), PRODUCTO NO. 960 43 02-56 DIAGRAMA

SCH11-s

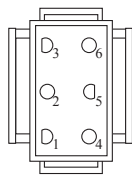


NOTAS:
QUE SU TRACTOR ES EQUIPADO CON UN SISTEMA ESPECIAL DE ALTERNADOR. LAS LUCES NO SON CONECTADAS A LA BATERIA, PERO TIENEN SU PROPIA FUENTE ELECTRICA. A CAUSA DE ESTO, EL BRILLO DE LAS LUCES CAMBIARA CON LA VELOCIDAD DE MOTOR. EN LENTO, LAS LUCES NO SON COMO BRILLANTES. CUANDO EL MOTOR ES ACELERADO, LA LUZ CONSEGUIRÁ MÁS BRILLANTE.

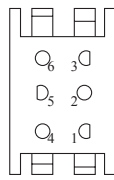


INTERRUPTOR DE ENCENDIDO

POSICIÓN	CIRCUITO «MARCA»
APAGADO	M+G+A1
PONER EN FUNCIONAMIENTO/ANULAR	B+A1
PONER EN FUNCIONAMIENTO	B+A1 L+A2
ARRANCAR	B + S + A1



CONEXIÓN DEL ARNÉS DEL CHASIS (LATERAL QUE COINCIDA)

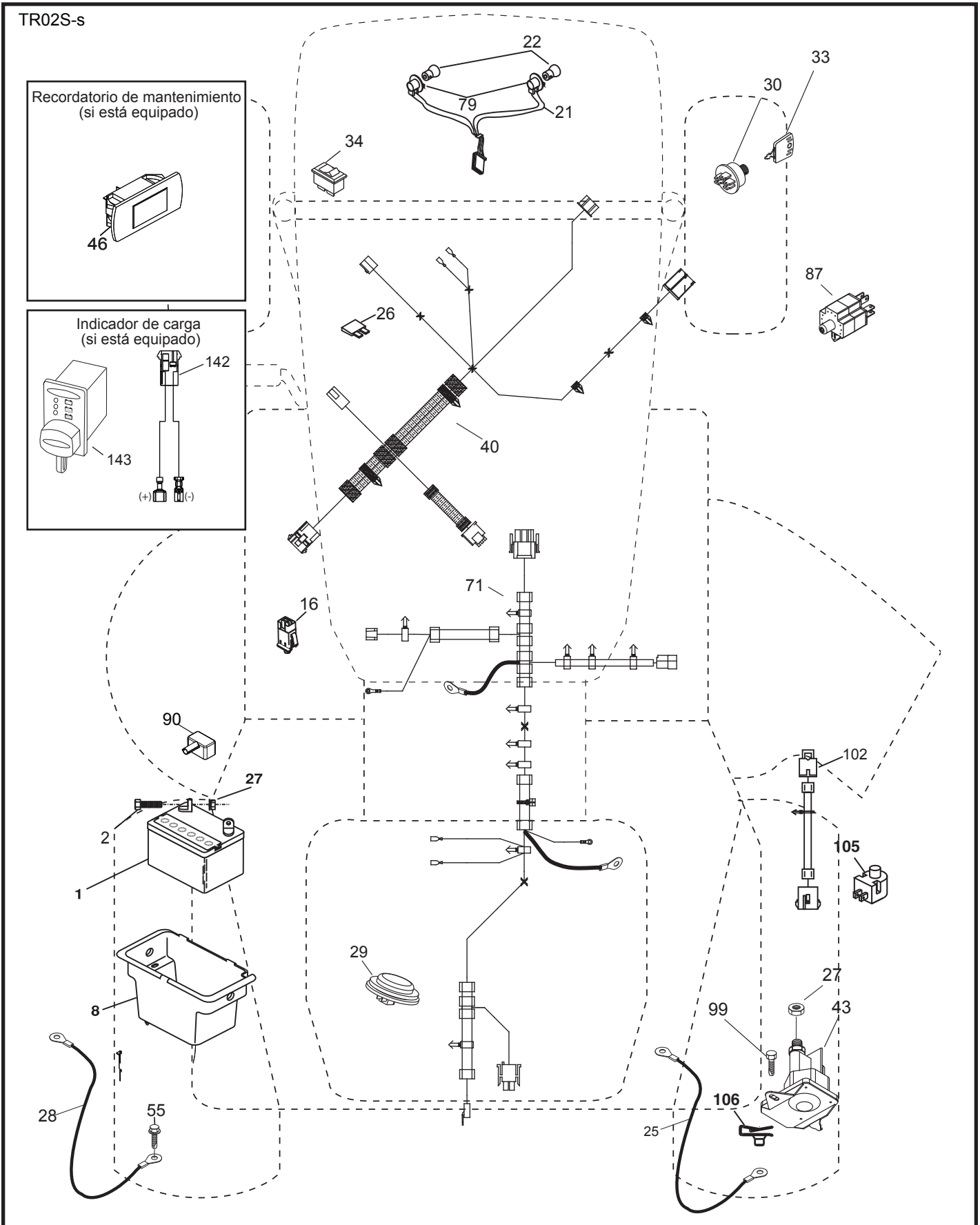


CONEXIÓN PARA EL ARNÉS DEL TABLERO (LATERAL QUE COINCIDA)

NOTA SOBRE LAS ABRAZADERAS DE AISLAMIENTO DEL CABLEADO: SI SE QUITAN LAS ABRAZADERAS DE AISLAMIENTO DEL CABLEADO PARA HACER EL MANTENIMIENTO DE LA UNIDAD, SE LAS DEBERÁ INSTALAR NUEVAMENTE PARA PROTEGER EL CABLEADO ADECUADAMENTE.



TRACTOR - - MODELO NO. YTH18542 (96043025600), PRODUCTO NO. 960 43 02-56
DIAGRAMA ELÉCTRICO

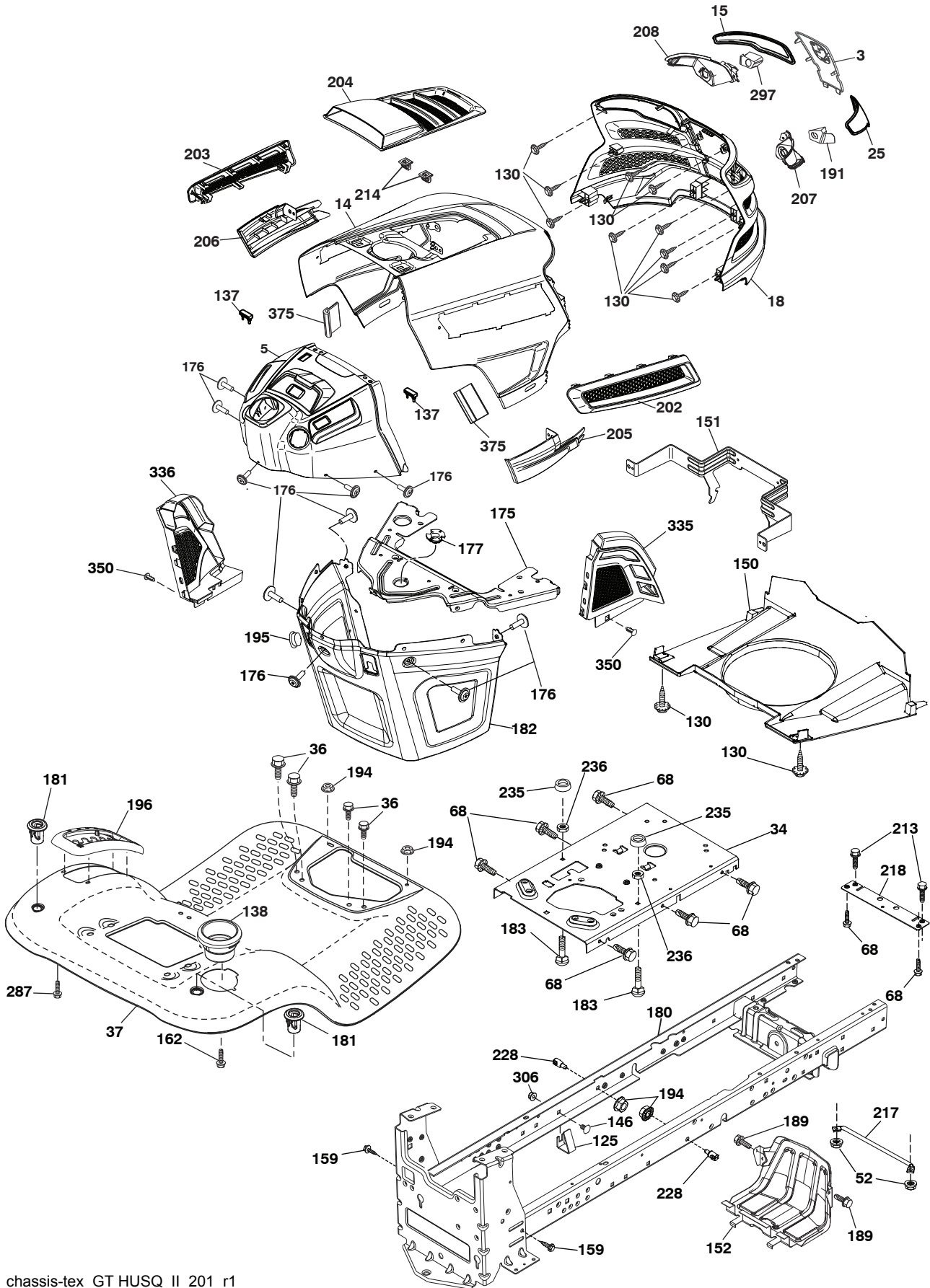


**TRACTOR - - MODELO NO. YTH18542 (96043025600), PRODUCTO NO. 960 43 02-56
DIAGRAMA ELÉCTRICO**

CÓDIGO PIEZA		DESCRIPCIÓN
No.	No.	
1	532 16 34-65	Batería
2	874 76 04-12	Perno de cabeza hexagonal de 1/4-20 x 3/4
8	532 19 32-28	Caja de la batería
16	532 17 61-38	Caja de la batería Interruptor corta corriente a presión
21	532 40 02-52	Cableado del enchufe para la luz c/4152J
22	532 00 41-52	Bombilla de luz
25	581 49 80-01	Cable
26	532 17 51-58	Fusible
27	873 51 04-00	Tuerca hexagonal Keps de 1/4-20 unc
28	532 42 16-86	Cable a tierra
29	532 40 15-45	Interruptor del asiento
30	532 19 33-50	Interruptor de encendido
33	532 41 19-33	Llave/cadena
34	532 11 07-12	Interruptor de luz/de restauración
40	581 02 31-01	Cableado del tablero de encendido
43	582 04 28-01	Solenoid
55	817 06 05-12	Tornillo de 5/16-18 x 3/4
71	501 13 37-01	Cableado de encendido
79	532 17 52-42	Enchufe de cierre por torsión del ensamble de la bombilla
87	532 19 78-02	Enchufe de cierre por torsión del ensamble de la bombilla
90	532 43 53-95	Tapa de los bornes de la batería
99	817 67 04-12	Tornillo
102	532 40 44-54	Cableado
105	532 40 75-68	Interruptor
106	532 17 48-14	Tuerca

NOTA: Las dimensiones de todos los componentes están expresadas en pulgadas americanas. 1 pulgada = 25,4 mm

TRACTOR - - MODELO NO. YTH18542 (96043025600), PRODUCTO NO. 960 43 02-56
CHASIS



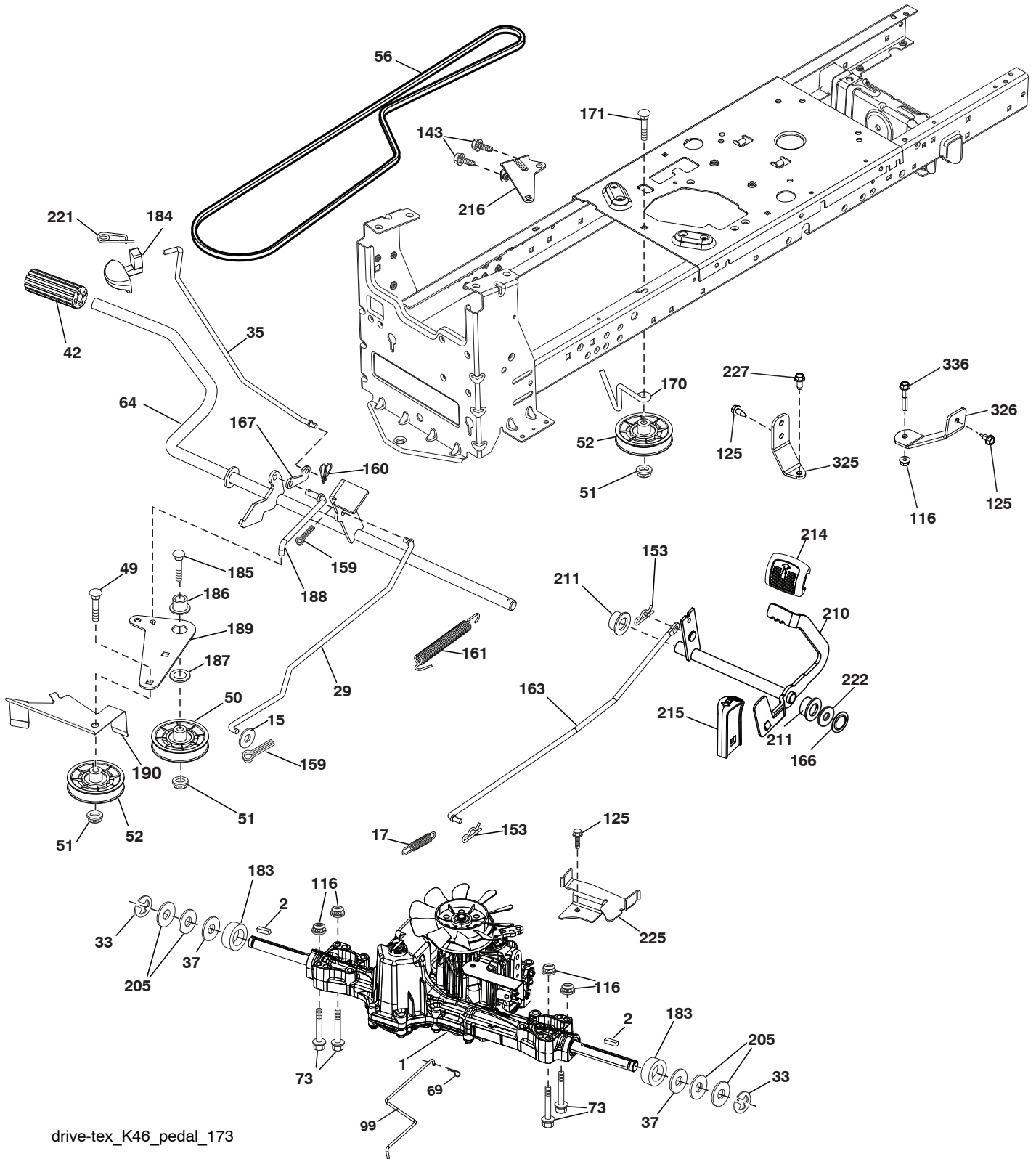
chassis-tex_GT HUSQ_II_201_r1

TRACTOR - - MODELO NO. YTH18542 (96043025600), PRODUCTO NO. 960 43 02-56 CHASIS

CÓDIGO PIEZA			CÓDIGO PIEZA		
No.	No.	DESCRIPCIÓN	No.	No.	DESCRIPCIÓN
3	532 44 44-81	Aplica Submontaje	191	532 43 74-55	Parrilla reflector (LD)
5	581 46 68-01	Tablero	194	873 90 05-00	Tuerca de presión de 5/16-18
14	532 44 11-77	Capota	195	532 40 41-37	Tablero tapón
15	532 43 97-33	Lente izquierdo de la parrilla	196	532 43 96-47	Ensamble de la consola de la plataforma de elevación
18	532 44 06-53	Parrilla	202	532 43 97-28	Salida de Ventilación (LD)
25	532 44 33-85	Lente derecho de la parrilla	203	532 43 97-27	Salida de Ventilación (LI)
34	580 91 08-01	Chapa Motor	204	532 43 57-14	Salida de Ventilación superior
36	817 06 05-12	Tornillo de 5/16-18 x 3/4	205	532 43 97-30	Guarnición de Capota (LD)
37	532 44 12-06	Guardabarros	206	532 43 97-29	Guarnición de Capota (LI)
52	873 68 05-00	Tuerca de presión 5/16	207	532 43 97-34	Bisel derecho
68	539 99 08-58	Tornillo de 5/16-18 x 1/2	208	532 43 97-35	Bisel izquierdo
125	581 68 48-01	Línea de combustible	213	874 76 05-12	Perno de 5/16-18 x 3/4
130	532 41 63-58	Tornillo No.10 x 0.750 BOS	214	532 19 91-45	Cierre
137	532 40 75-90	Cubierta Tablero	217	532 40 91-67	Varilla giratoria de capota
138	532 43 97-47	Portavasos	218	532 19 63-95	Tope
146	581 85 79-01	Perno de RDHD SHT SQNK 3/8-16 x 5/8	228	532 19 51-61	Sujetador del travesaño
150	532 43 99-21	Cubierta térmica del conducto	235	532 40 61-29	Separador del guardabarros
151	532 43 66-70	Soporte de capota giratoria	236	873 93 05-00	Tuerca de presión 5/16-18 unc
152	532 43 98-70	Protector contra oscurecimiento	287	817 60 04-06	Tornillo de 1/4-20 x 3/8
159	817 00 06-12	Tornillo de 3/8-16 x 3/4	297	532 43 74-56	Parrilla reflector (LI)
162	532 14 24-32	Tornillo	306	873 90 06-00	Tuerca de presión 3/8-16 unc
175	590 60 77-02	Placa de Travesaño	335	532 44 82-04	Cubierta (LD)
176	532 40 07-76	Tornillo de 10-24 x 5/8	336	532 44 53-09	Cubierta (LI)
177	532 19 52-28	Buje de dirección	350	532 44 51-43	Cierre del árbol de navidad
180	532 19 54-57	Chasis	375	586 90 82-01	Cubierta Capota
181	532 43 97-46	Buje de soporte del guardabarros de carga	- -	532 43 99-76	Tablero tapón acordarme
182	586 73 86-02	Tablero inferior			
183	874 52 05-20	Perno 5/16-18 x 1-1/4			
189	817 00 05-12	Tornillo 5/16-18 x 3/4			

NOTA: Las dimensiones de todos los componentes están expresadas en pulgadas americanas. 1 pulgada = 25,4 mm

TRACTOR - - MODELO NO. YTH18542 (96043025600), PRODUCTO NO. 960 43 02-56
TRANSMISIÓN



drive-tex_K46_pedal_173

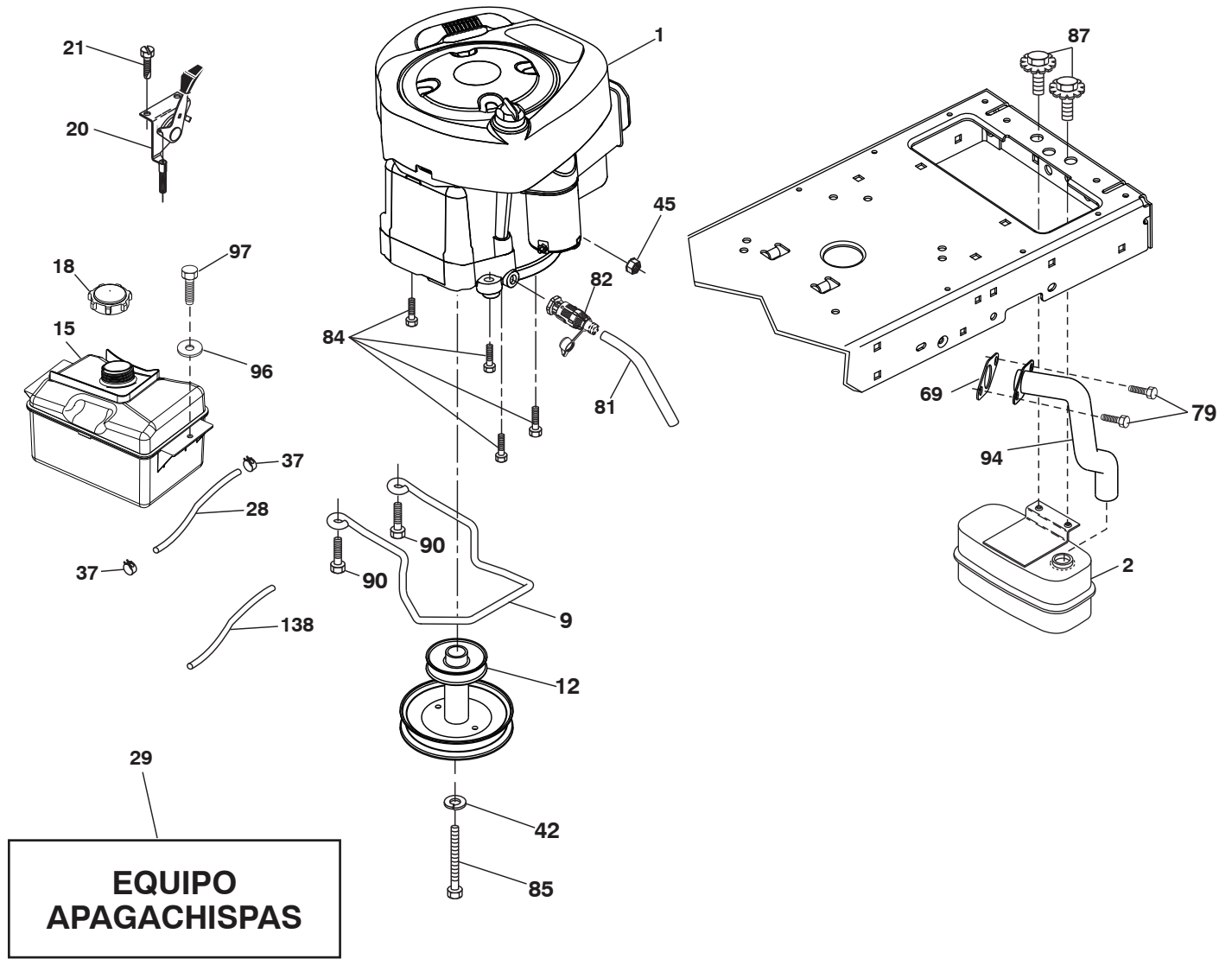
TRACTOR - - MODELO NO. YTH18542 (96043025600), PRODUCTO NO. 960 43 02-56

TRANSMISIÓN

CÓDIGO PIEZA		DESCRIPCIÓN	CÓDIGO PIEZA		DESCRIPCIÓN
No.	No.		No.	No.	
1	- - - - -	Transeje, TUFFTORQ K46 BT (426120) (Haga el pedido de las piezas al fabricante del transeje.)	167	532 40 52-57	Pestillo del freno de mano
2	532 12 35-83	Cuña	170	532 19 43-22	Sujetador de la correa central
15	819 13 13-16	Arandela de 13/32x13/16xcalibre16	171	872 11 06-16	Perno de 3/8-16 unc x 2
17	532 41 36-78	Resorte de freno	183	532 13 70-57	Separador
29	532 40 38-06	Varilla del freno	184	587 65 37-01	Manija del freno de mano
33	812 00 00-01	Aro "E"	185	872 11 06-22	Perno de 3/8-16 x 2-3/4 grado 5
35	583 86 45-01	Varilla del freno de mano	186	532 19 43-21	Espaciador de retención
37	532 18 89-67	Arandela endurecida	187	819 13 32-10	Arandela
42	532 12 48-72	Cubierta del pedal	188	582 21 70-01	Mecanismo de desplazamiento de la varilla de mando del embrague del largo
49	872 11 06-14	Perno	189	532 19 43-17	Palanca acodada del mecanismo de desplazamiento
50	532 19 43-27	Polea loca plana	190	532 19 43-18	Sujetador de la palanca acodada del mecanismo de desplazamiento
51	873 90 06-00	Tuerca de presión de 3/8-16	205	532 12 17-48	Arandela
52	532 19 43-26	Polea loca con ranura en V con un desplazamiento	210	532 40 09-80	Ensamble del control del pedal
56	532 13 09-69	Correa trapezoidal de la transmisión	211	532 12 01-83	Rodamiento de nylon
64	532 19 78-65	Ensamble del eje Control del pedal de freno	214	532 42 12-63	Forro del pedal para avanzar
69	532 42 33-03	Zinc suave horquilla .059 x 1.125	215	586 60 65-02	Forro del pedal para retroceder
73	874 49 05-40	Perno de 5/16-18 x 2-1/2 grado 5	216	532 19 61-31	Soporte del Polea
99	582 40 45-01	Varilla de Derivación LT K46, K57	221	532 40 31-87	Abrazadera de retención del resorte de la manija
116	873 90 05-00	Tuerca de presión hexagonal con brida de 5/16-18	222	879 21 20-10	Arandela de 21/32 x 1-1/4 calibre 10
125	817 00 05-12	Tornillo de 5/16-18 x 3/4	225	532 40 33-19	Sujetador de la correa
143	539 99 08-58	Tornillo de 5/16-18 x 1/2	227	817 49 05-12	Tornillo de 5/16-18 x 3/4
153	532 12 47-88	Retén del resorte	325	585 66 85-02	Soporte
159	876 02 04-12	Pasador de chaveta de 1/8 x 3/4	326	585 67 08-02	Soporte
160	532 16 94-84	Abrazadera de retención	336	587 25 96-01	Perno 5/16-18 x 1-3/4
161	532 10 57-09	Resorte de retorno del embrague			
163	532 44 82-75	Varilla de control del pedal			
166	532 42 91-64	Tuerca de presión			

NOTA: Las dimensiones de todos los componentes están expresadas en pulgadas americanas.
1 pulgada = 25,4 mm

**TRACTOR - - MODELO NO. YTH18542 (96043025600), PRODUCTO NO. 960 43 02-56
MOTOR**



engine-tex_BS_134

TRACTOR - - MODELO NO. YTH18542 (96043025600), PRODUCTO NO. 960 43 02-56 MOTOR

CÓDIGO PIEZA		DESCRIPCIÓN
No.	No.	
1	— — — — —	Motor Briggs Modelo No. 33R777-0003-G1 (585564601) (Haga el pedido de las piezas al fabricante del motor.)
2	532 44 67-60	Silenciador
9	501 83 26-01	Ensamble del sujetador de la correa del motor
12	586 47 85-01	Polea del motor
15	532 43 30-04	Tanque de combustible
18	581 17 61-01	Ensamble de la tapa
20	532 18 38-97	Control del regulador
21	532 41 63-58	Tornillo No. 10 x 0,75 con rosca reforzada
28	532 40 11-37	Línea de combustible
29	532 13 71-80	Equipo apagachispas
37	532 12 34-87	Abrazadera de la manguera
42	539 99 02-47	Arandela 7/16
45	873 51 04-00	Tuerca Keps de 1/4-20 unc
69	532 16 52-91	Junta
79	532 19 23-34	Tornillo de 5/16-18 x 3/4
81	532 14 84-56	Tubo de fácil drenaje de aceite
82	532 42 82-87	1álvula del drenaje de aceite
84	817 06 06-20	Tornillo de 3/8-16 x 1/4
85	501 60 65-01	Perno de 7/16-20 x 4 grado 5
87	532 17 18-77	Perno de 5/16-18 unc x 3/4 w/sems
90	817 00 06-16	Tornillo de 3/8-16 x 1
94	581 88 09-01	Tubo de escape
96	819 09 14-16	Arandela de 9/32 x 7/8 x calibre 16
97	817 67 04-12	Tornillo de 1/4-20 x 3/4
138	532 41 41-19	Línea de purge

NOTA: Las dimensiones de todos los componentes están expresadas en pulgadas americanas. 1 pulgada = 25,4 mm

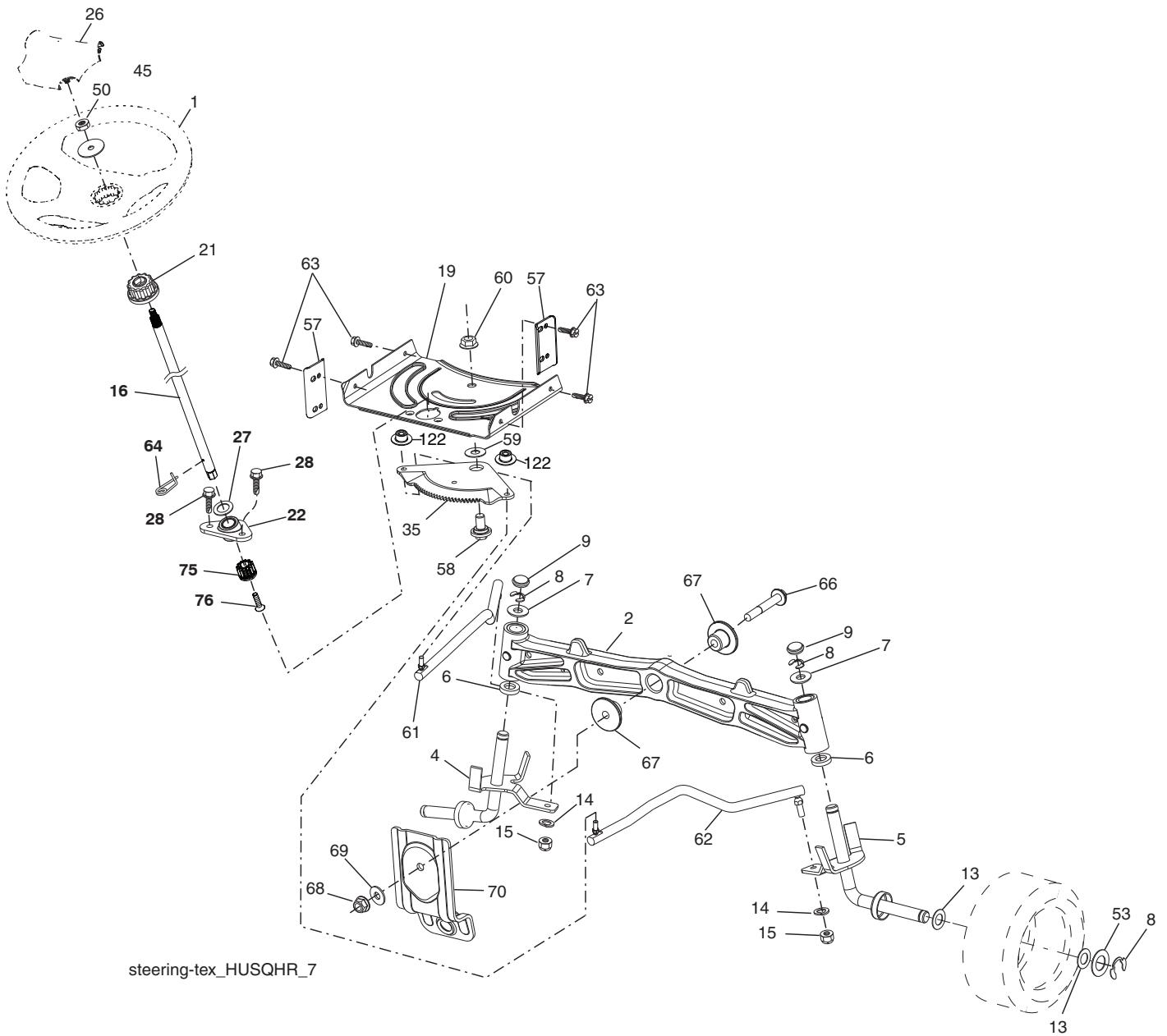
Para el servicio de motor y repuestos, llame el número de llamada gratuita para su fabricante de motor listó abajo:

Briggs & Stratton 1-800-233-3723

Información de Clasificación de Potencia del Motor

La clasificación de potencia para un modelo de motor a gas en particular se designa de acuerdo al código J1940 de SAE (Sociedad de Ingenieros Automotrices) (Procedimiento de Clasificación de Potencia & Torque del Motor Pequeño), y la clasificación de desempeño ha sido obtenida y corregida de acuerdo con el código J1995 de SAE (Revisión 2002-05). Los valores de torque se obtienen a 3060 RPM; los valores de potencia se obtienen a 3600 RPM. La potencia bruta actual del motor será inferior y está afectada, entre otras cosas, por las condiciones ambientales operativas y la variabilidad de motor a motor. Dado ambos un amplio conjunto de productos en los cuales son puestos nuestros motores, y la variedad de emisiones ambientales aplicables al operar el equipo, el motor a gas no desarrollará la potencia nominal cuando sea usado en una parte del equipo acoplado (potencia real "en el-sitio" o potencia neta). Esta diferencia se debe a una variedad de factores que incluyen, pero que no están limitados a, accesorios (filtro de aire, sistema de escape, sistema de carga, sistema de enfriamiento, carburador, bomba de combustible, etc.) limitaciones de la aplicación, condiciones ambientales de operación (temperatura, humedad, altitud), y la variabilidad de motor a motor. Debido a las limitaciones, Briggs & Stratton puede sustituir este motor con clasificación de potencia más alta por esta serie de motor.

TRACTOR - - MODELO NO. YTH18542 (96043025600), PRODUCTO NO. 960 43 02-56
ENSAMBLE DE LA DIRECCIÓN



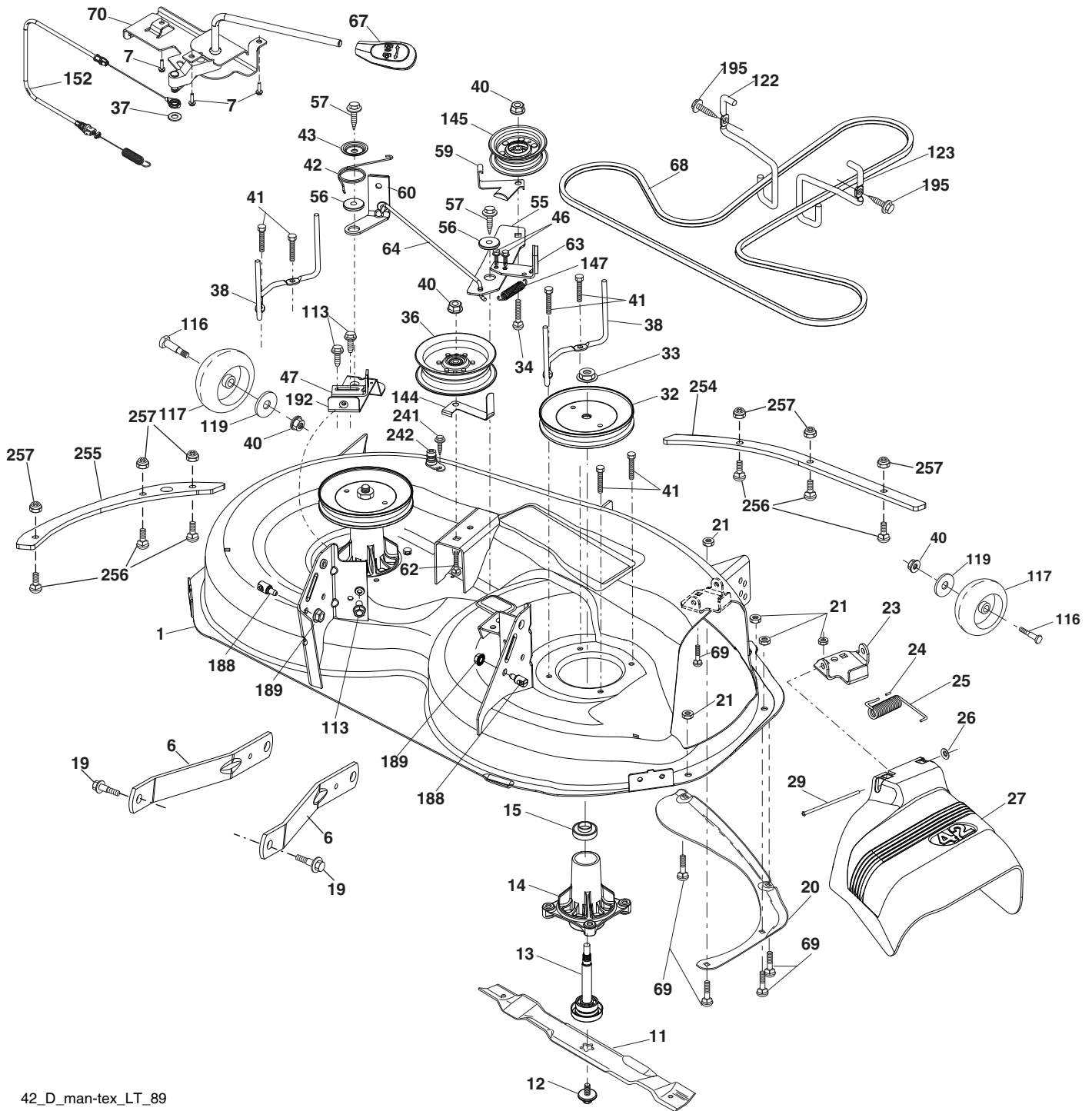
steering-tex_HUSQHR_7

**TRACTOR - - MODELO NO. YTH18542 (96043025600), PRODUCTO NO. 960 43 02-56
ENSAMBLE DE LA DIRECCIÓN**

CÓDIGO No.	PIEZA No.	DESCRIPCIÓN
1	532 43 99-97	Volante de dirección
2	532 19 59-68	Ensamble del eje delantero
4	532 40 30-87	Ensamble del husillo izquierdo
5	532 40 30-88	Ensamble del husillo derecho
6	532 12 49-31	Pista del rodamiento para reforzar el impulso
7	532 12 17-48	Arandela de 25/32 x 1-5/8 calibre 16
8	812 00 00-29	Abrazadera del aro No. T5304-75
9	532 12 12-32	Tapa del husillo
13	532 12 17-49	Arandela de 25/32 x 1-1/4 calibre 16
14	539 99 01-18	Arandela 3/8
15	873 54 06-00	Tuerca corona de presión de 3/8-24 unf
16	587 01 60-02	Eje de dirección
19	532 19 47-29	Placa de dirección
21	586 84 02-01	Adaptador del volante de dirección
22	585 02 98-02	Rodamiento
26	532 43 97-43	Inserto del volante de dirección
27	819 21 16-16	Arandela
28	817 00 06-12	Tornillo de 3/8-16 x 3/4
35	532 19 47-32	Engranaje del sector de la placa
45	587 01 64-01	Arandela 3/8 ID 2-3/8 OD calibre 12 PLTD
50	873 90 06-00	Tuerca 3/8-16 unc
53	532 18 89-67	Arandela reforzada de .793 x 1.637 x .060
57	532 40 74-65	Tope superior del soporte
58	532 19 47-47	Perno de tope del sector del pivote CFM
59	532 19 47-48	Arandela de empuje del sector de dirección
60	873 97 10-00	Tuerca de presión con brida de 5/8-11
61	532 19 47-40	Barra de acoplamiento izquierda
62	532 19 47-41	Barra de acoplamiento derecha
63	817 00 05-12	Tornillo de 5/16-18 x 3/4
64	532 19 98-49	Abrazadera de retención del resorte de la dirección
66	871 02 07-48	Perno de cabeza hexagonal con brida acanalada de 7/16-14 x 3
67	532 19 47-37	Buje PM del eje delantero
68	873 90 07-00	Tuerca de presión con brida de 7/16-14 grado 5
69	532 19 91-62	Arandela de 1.5 x .505 x .118
70	585 33 88-01	Soporte de la plataforma delantera
75	580 68 37-01	Piñón
76	580 68 36-01	Tornillo
122	532 44 49-62	Tapas

NOTA: Las dimensiones de todos los componentes están expresadas en pulgadas americanas. 1 pulgada = 25,4 mm

TRACTOR - - MODELO NO. YTH18542 (96043025600), PRODUCTO NO. 960 43 02-56
PLATAFORMA DE LA CORTADORA DE CÉSPED



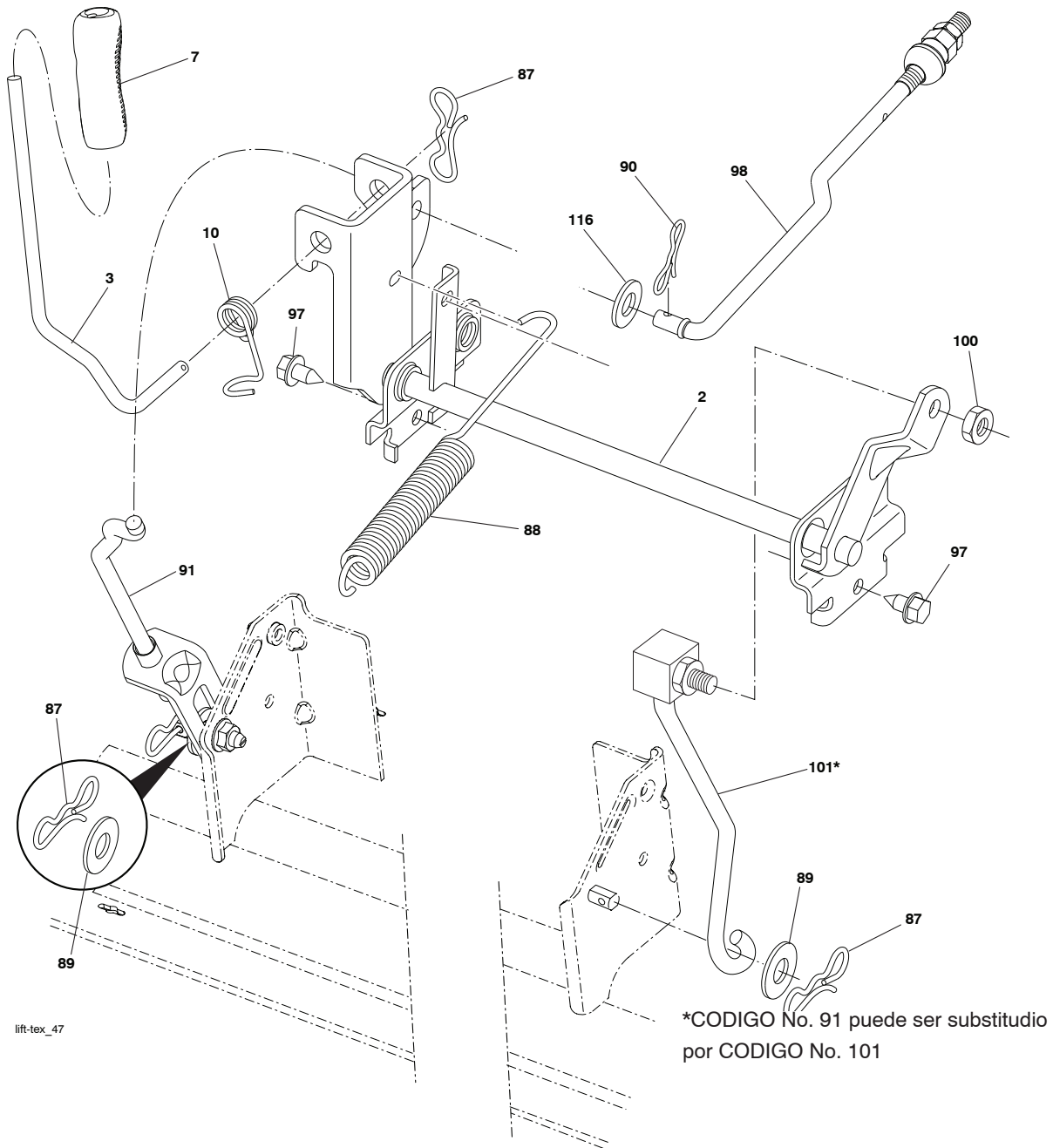
42_D_man-tex_LT_89

**TRACTOR - - MODELO NO. YTH18542 (96043025600), PRODUCTO NO. 960 43 02-56
PLATAFORMA DE LA CORTADORA DE CÉSPED**

CÓDIGO PIEZA		DESCRIPCIÓN	CÓDIGO PIEZA		DESCRIPCIÓN
No.	No.		No.	No.	
1	532 44 12-75	Carcasa de la cortadora de césped	64	532 19 99-18	Varillaje del freno
6	532 19 51-86	Brazo de la suspensión	67	532 40 30-12	Manija del cable de embrague
7	532 41 63-58	Tornillo No. 10 x 0,750 con rosca reforzada	68	532 42 96-36	Correa trapezoidal
11	532 13 89-71	Cuchilla, 42" Hi-Lift (para empaquetar o descarga)	69	872 14 05-05	Perno
12	584 30 93-01	Tornillo 7/16-20 x 1	70	532 19 99-72	Ensamble del embrague Manual
13	587 25 65-01	Ensamble del eje del mandril	113	817 00 05-10	Tornillo de 5/16-18
14	532 18 72-81	Carcasa del mandril	116	532 12 48-42	Perno de tope
15	585 32 39-01	Rodamiento de bolas del mandril	117	589 52 74-01	Calibrador de la rueda
19	532 19 65-39	Perno de tope	119	819 12 14-14	Arandela de 13/32 x 7/8 x calibre14
20	532 15 97-70	Deflector	122	532 19 72-58	Sujetador izquierdo de la correa del motor
21	873 68 05-00	Tuerca corona de presión de 5/16-18 unc	123	532 19 72-59	Sujetador derecho de la correa del motor
23	532 19 25-57	Soporte del deflector	144	532 19 92-04	Sujetador de la correa
24	532 10 53-04	Tapa de la manga	145	532 19 31-97	Polea loca primaria
25	532 19 70-26	Resorte de torsión del deflector	147	532 40 19-71	Retorno del resorte
26	532 11 04-52	Tuerca de presión	152	584 24 35-01	Embrague Manual cable
27	532 40 30-04	Protector del deflector	188	532 19 51-61	Sujetador del travesaño
29	532 13 14-91	Varilla de la bisagra	189	873 90 05-00	Tuerca de presión hexagonal con brida
32	532 19 74-73	Polea del mandril	192	532 19 72-60	Soporte
33	532 40 02-34	Tuerca de seguridad con brida	195	817 00 06-12	Tornillo de 3/8-16 x 3/4
34	872 11 06-12	Perno de cabeza de hongo y cuello cuadrado de 3/8-16 x 1-1/2 grado 5	241	532 15 29-27	Tornillo No.10-32 5 3/8 con brida
36	532 19 73-79	Polea loca	242	532 41 55-98	Puerto De Lavado De La Cubierta
37	819 13 13-16	Arandela	254	585 31 68-05	Frente de refuerzo de placa
38	532 43 25-20	Sujetador de la correa del mandril	255	585 31 70-05	Lado de refuerzo de la placa
40	873 90 06-00	Tuerca de presión con brida de 3/8-16 unc	256	539 10 98-00	Perno de carro 1/4-20 x1 Gr. 5
41	584 95 39-01	Perno 313-18 x 1.19	257	873 90 04-00	Tuerca brida hexagonal
42	532 19 84-10	Resorte de torsión del freno	--	532 41 64-05	Accesorio del conexión
43	532 19 72-56	Resorte de torsión del freno	--	587 25 33-01	Ensamble del Mandril (solo incluye la carcasa (Código 14), el ensamble del (Código 13) eje y el rodamiento (Código 15); no incluye (Código 33) la polea/arandela ni los pernos/arandelas de la cuchilla)
46	532 13 77-29	Tornillo de 1/4-20 x 5/8	--	532 44 78-93	Reemplazo de la cortadora de césped, completa
47	532 19 72-50	Soporte del cable de embrague			
55	532 43 71-10	Brazo de la polea			
56	532 19 90-92	Espaciador de retención			
57	817 00 06-16	Tornillo de 3/8-16 x 1			
59	532 14 10-43	Dispositivo de protección de la polea			
60	532 19 72-61	Brazo del freno de la cortadora de césped			
62	872 11 06-16	Perno de 3/8-16 unc x 2			
63	532 19 94-77	Brazo del freno de la cortadora de césped			

NOTA: Las dimensiones de todos los componentes están expresadas en pulgadas americanas. 1 pulgada = 25,4 mm

**TRACTOR - - MODELO NO. YTH18542 (96043025600), PRODUCTO NO. 960 43 02-56
ELEVACIÓN DE LA CORTADORA DE CÉSPED**



lift-tex_47

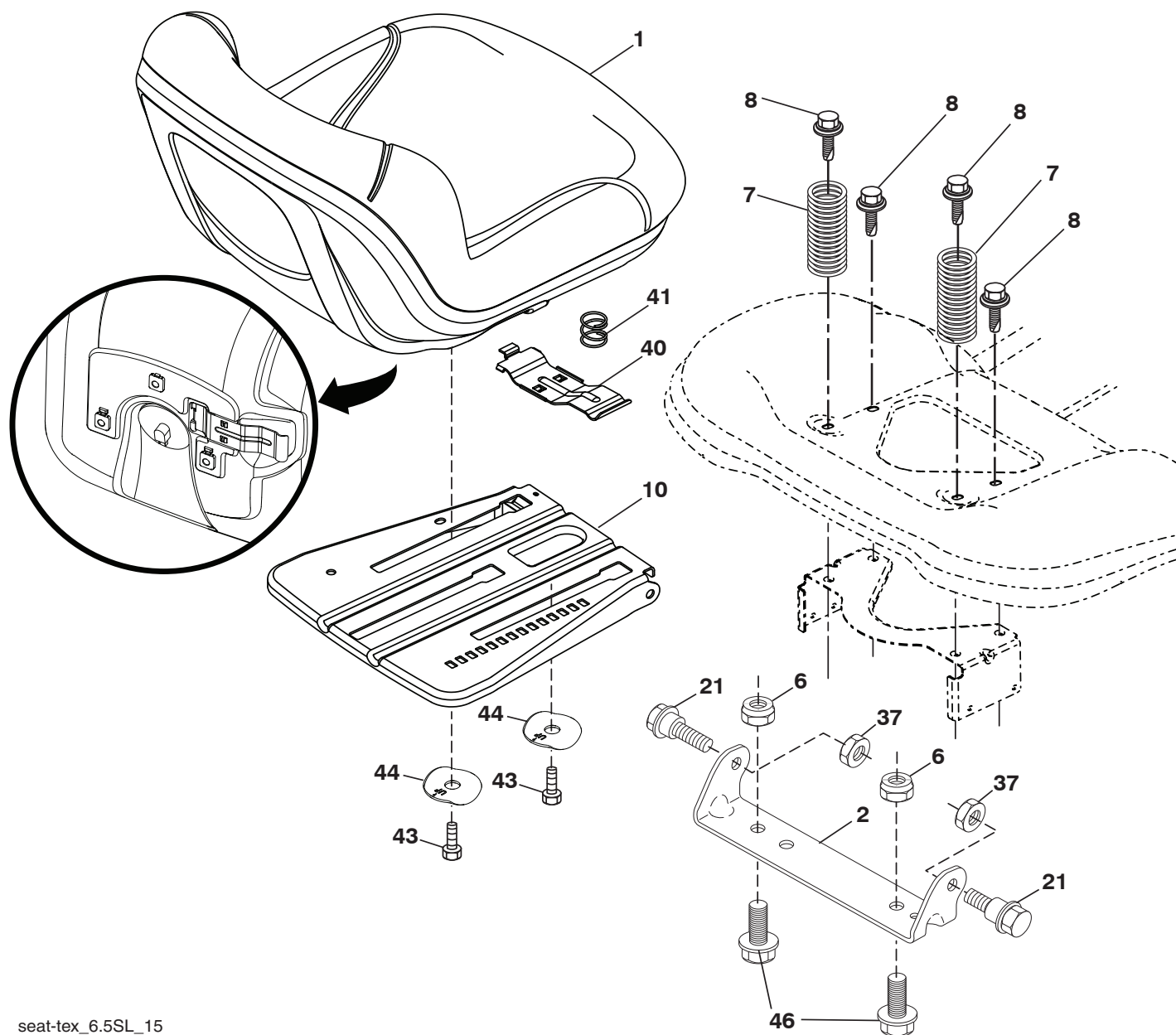
*CODIGO No. 91 puede ser substituido por CODIGO No. 101

CÓDIGO No.	PIEZA No.	DESCRIPCIÓN
2	532 42 20-27	Ensamble del eje de la elevación
3	532 19 52-31	Ensamble de la palanca de elevación derecha
7	580 96 23-01	Mango de la palanca
10	532 19 63-14	Resorte de torsión
87	532 19 42-09	Pasador de chaveta de 7/16 con bloqueo en forma de mariposa
88	532 41 07-10	Resorte de ayuda de la elevación
89	819 19 19-12	Arandela de zinc transparente
90	532 19 42-08	Pasador de chaveta de 5/16 con bloqueo en forma de mariposa
91	532 19 51-81	Ensamble del acoplamiento

CÓDIGO No.	PIEZA No.	DESCRIPCIÓN
97	817 00 06-12	Elevación trasera Tornillo de 3/8-16 x 3/4
98	532 19 52-70	Acoplamiento frontal de la elevación de la cortadora de césped
100	873 93 06-00	Tuerca de presión central de 3/8-16 unc
101	532 40 70-03	Ensamble del acoplamiento Elevación fijo
116	819 15 15-16	Arandela, 15/32 x 15/16 x Calibre 16

NOTA: Las dimensiones de todos los componentes están expresadas en pulgadas americanas. 1 pulgada = 25,4 mm

**TRACTOR - - MODELO NO. YTH18542 (96043025600), PRODUCTO NO. 960 43 02-56
ENSAMBLE DEL ASIENTO**



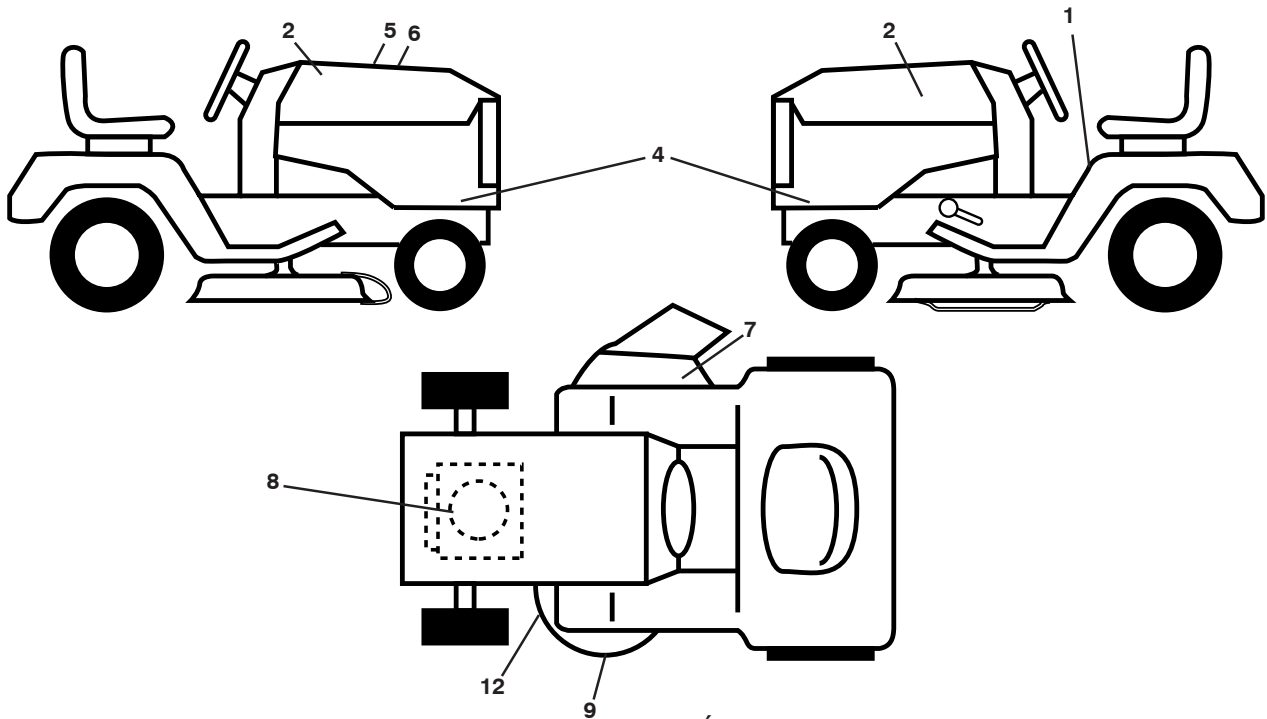
seat-tex_6.5SL_15

CÓDIGO PIEZA		DESCRIPCIÓN
No.	No.	
1	532 43 98-19	Asiento
2	532 18 01-66	Soporte pivotante del guardabarros
6	873 80 06-00	Tuerca de presión c/aislamiento de 3/8-16 unc
7	589 48 35-01	Resorte del asiento
8	532 17 18-77	Perno de 5/16" unc x 3/4"
10	587 23 20-02	Bandeja del asiento
21	587 90 78-01	Perno de 5/16-18 x 5/8
37	873 80 05-00	Perno de tope de 5/16-18 unc
40	532 19 76-61	Manija para deslizar el asiento

CÓDIGO PIEZA		DESCRIPCIÓN
No.	No.	
41	532 19 82-00	Resorte para trabar el asiento
43	874 76 06-12	Perno de cabeza hexagonal con aleta de 3/8-16 unc x 3/4
44	501 05 18-01	Arandela
46	588 09 04-01	Perno 3/8-16 x 1, 1.25 OD

NOTA: Las dimensiones de todos los componentes están expresadas en pulgadas americanas. 1 pulgada = 25,4 mm

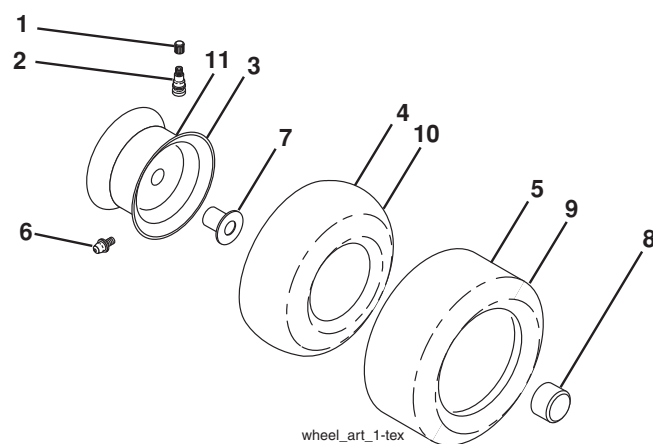
**TRACTOR - - MODELO NO. YTH18542 (96043025600), PRODUCTO NO. 960 43 02-56
CALCOMANÍAS**



CÓDIGO No.	PIEZA No.	DESCRIPCIÓN
1	581 57 89-01	Calcomanía, advertencia
2	581 62 73-01	Calcomanía para la capota logo-tipo
4	585 98 62-01	Calcomanía para el capota panel
5	532 42 38-29	Calcomanía del cliente
6	591 08-67-01	Calcomanía de reemplazo
7	584 90 46-01	Calcomanía, Advertencia
8	585 55 60-01	Calcomanía para el motor
9	585 71 44-01	Calcomanía de pop blindado
12	581 58 00-01	Calcomanía del diagrama de la cortadora de césped Correa trapezoidal

CÓDIGO No.	PIEZA No.	DESCRIPCIÓN
--	581 72 48-01	Calcomanía para la desviación
--	532 43 96-81	Forro del apoyo para los pies (LI)
--	532 43 96-82	Forro del apoyo para los pies (LD)
--	115 95 01-49	Manual de Operario (Español/ Inglés)
--	115 95 02-49	Manual De Repuestos (Español/ Inglés)
-	587 71 00-26	Guía de inicio rápido (Español/ Inglés)

RUEDAS Y NEUMÁTICOS



CÓDIGO No.	PIEZA No.	DESCRIPCIÓN
1	532 05 91-92	Tapa de la válvula del neumático
2	532 06 51-39	Vástago de la válvula
3	532 13 83-36	Ensamble de las llantas delanteras 6 pulgada
4	532 05 99-04	Cámara delantera(Mantenimiento sólo)
5	532 10 62-22	Neumático delantero de 15 x 6-6
6	532 12 49-57	Accesorio para engrasar (Sólo para la rueda delantera)
7	532 12 49-59	Rodamiento de la brida (Sólo para la rueda delantera)
8	532 17 50-39	Tapa del eje
9	532 13 84-68	Neumático trasero de 20 x 8-8
10	532 12 49-26	Cámara trasera (Mantenimiento sólo)
11	532 13 83-37	Ensamble trasero de la llanta 8 pulgada
--	532 14 43-34	Sellador para neumáticos (tubo de 10 onzas [283 gr])

NOTA: Las dimensiones de todos los componentes están expresadas en pulgadas americanas. 1 pulgada = 25,4 mm

NOTES/AVISO



www.husqvarna.com