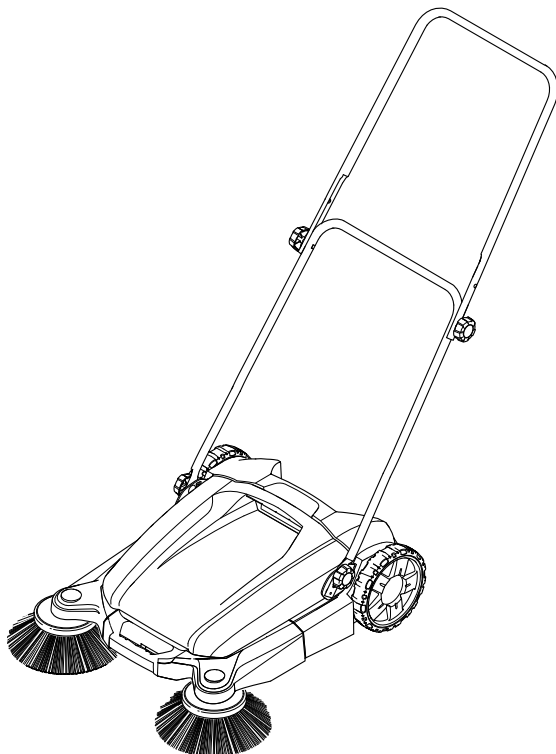
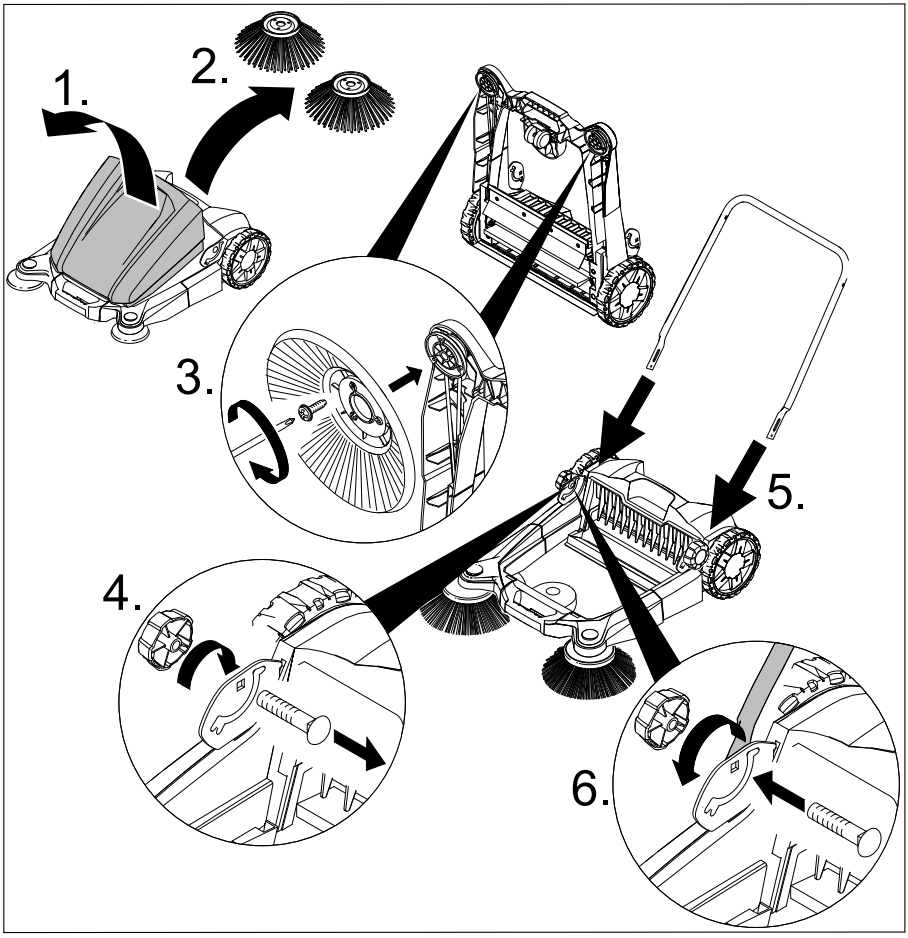
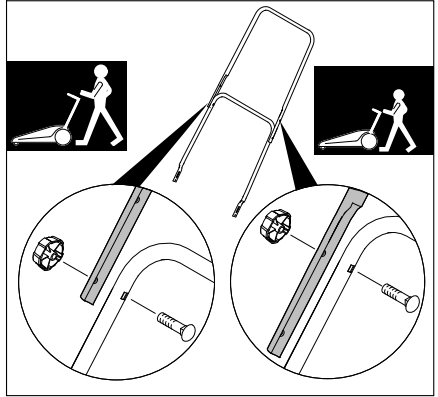
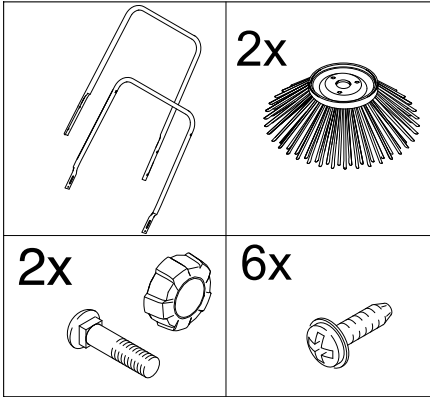
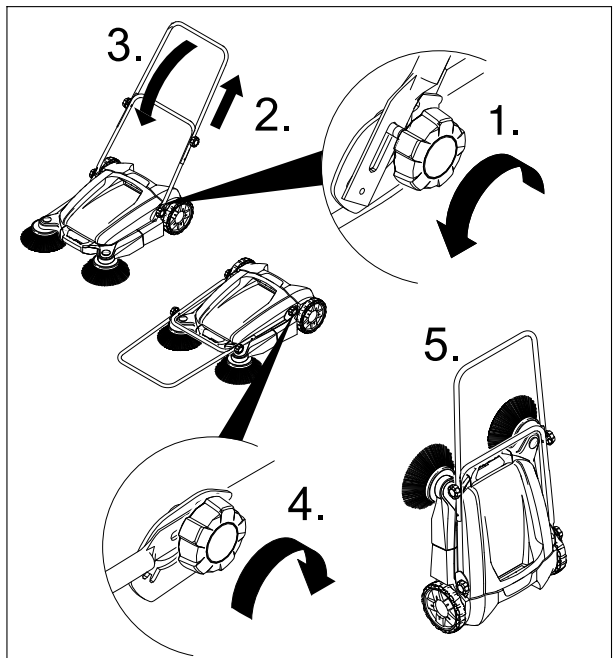
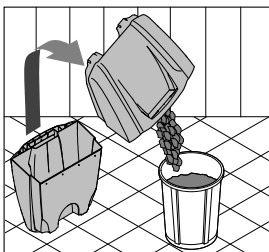
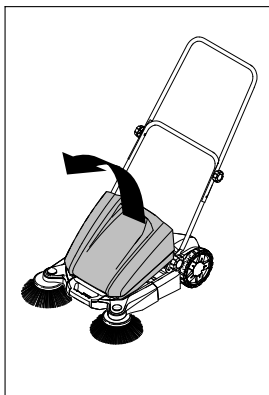
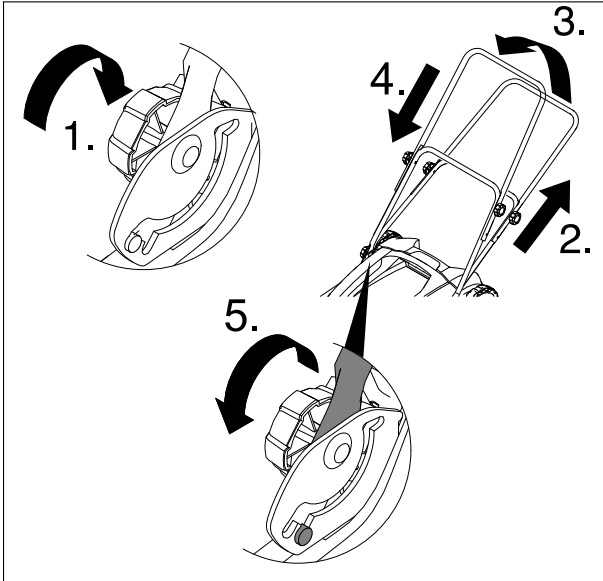


OPERATOR MANUAL

Sweeper 4







SWEeper OPERATOR MANUAL

Proper use

This sweeper has been designed to sweep dirt and debris from outdoor surfaces.

This appliance is designed for domestic use only.

Owner/User Responsibility

The owner and/or user must have an understanding of the manufacturer's operating instructions and warnings before using this pressure washer.

Warning information should be emphasized and understood.

If the operator is not fluent in English, the manufacturer's instructions and warnings shall be read to and discussed with the operator in the operator's native language by the purchaser/owner, making sure that the operator comprehends its contents.

Owner and/or user must study and maintain for future reference the manufacturer's instructions.

For household use only!

Customer Support USA and Canada

To register this product, please visit:

www.karcher-register.com

For technical support, go to:

www.karcher-help.com

If you need to file a warranty claim, please call: **1-800-537-4129**

You will need to fax or email your receipt to a customer service agent. All other information can be found at:

www.karcheresidential.com

Customer Support Mexico

Call: **01-800-024-13-13** for help or visit our website: **www.karcher.com.mx**

Assembly

See page 2.



Operation

⚠ Warning

Risk of being squeezed or hurt at the belts, side-brushes, containers, pushing handle.

See page 3.



Storing the appliance

See page 3.



Maintenance

The appliance is maintenance-free.

Spare parts

The appliance may only be equipped with original accessories and spare parts.

At the end of the operating instructions you will find a selected list of spare parts that are often required.

For additional information about spare parts, please go to the Service section at www.karcher.com.

IMPORTANT SAFETY INSTRUCTIONS

- The machine may not be used or stored in hazardous areas. It is not allowed to use the appliance in hazardous locations.
- The machine with working equipment must be checked to ensure that it is in proper working order and is operating safely prior to use. Otherwise, the appliance must not be used.
- The appliance is not suitable for sweeping off hazardous substances.
- The appliance is not suitable for sweeping off liquids.
- Please do not sweep away any burning substances such as cigarettes, match sticks or similar objects.
- Please wear safety gloves while removing glass, metal or other materials from the waste container.
- Never sweep off explosive liquids, combustible gases or undiluted acids and solvents. This includes petrol, paint thinner or heating oil which can generate explosive fumes or mixtures upon contact with the air. Acetone, undiluted acids and solvents must also be avoided as they can harm the materials on the machine.
- The operator must use the appliance properly. He must consider the local conditions and must pay attention to third parties, in particular children, when working with the appliance.
- This device is not intended for use by persons (including children) with reduced physical, sensory or mental abilities or lacking experience and/or knowledge, unless they are supervised by a person responsible for their safety or are instructed by these persons on the use of the device. Children should be supervised, to ensure that they do not play with the device.

**SAVE THESE
INSTRUCTIONS!**