



# IMPORTANT SAFETY INSTRUCTIONS

## READ ALL INSTRUCTIONS BEFORE USING THIS MACHINE.

- Inform your dealer immediately if there is any transport damage.
- Completely remove the accessories from the carton.
- Only operate the Air Blower from a suitable socket outlet with earthing contact. Refer to the Technical data for the necessary main fuse.
- Connect to a properly grounded outlet only - see Grounding instructions.

When using an electrical appliance, basic precautions should always be followed, including the following: This Air Blower is intended for commercial use.

- 1 DISCONNECT AIR BLOWER FROM POWER CIRCUIT before removing the cover, performing maintenance work, and when not in use.
- 2 DO NOT LEAVE appliance when plugged in.
- 3 ALWAYS CHECK THE POWER SUPPLY CORD for damage or signs of any aging before each use.
- 4 DO NOT PULL OR CARRY AIR BLOWER BY CORD. Do not close door on cord or pull cord around sharp edges.
- 5 KEEP CORD AWAY FROM HEAT AND OIL. Do not leave cord lying around after job is complete. It can become a tripping hazard.
- 6 DO NOT RUN AIR BLOWER OVER CORD.
- 7 TURN SWITCH TO OFF before unplugging power supply cord.
- 8 DO NOT UNPLUG BY PULLING CORD. To unplug, grasp plug, not cord.
- 9 DO NOT GRASP PLUG WITH WET HANDS.
- 10 A DAMAGED CORD OR PLUG should only be replaced by an authorized service center representative. DO NOT ATTEMPT TO REPAIR POWER CORD.

- 11 TO AVOID SHOCK, do not expose to rain. Store indoors.
- 12 USE ONLY AS RECOMMENDED BY THIS MANUAL. Use only with recommended attachments.
- 13 KEEP HAIR, CLOTHING, LOOSE JEWELRY, FINGERS and all parts of the body away from openings and moving parts.
- 14 DO NOT BLOCK OR OBSTRUCT OPENINGS. Keep openings free of lint, hair, dust, and anything that restricts air flow.
- 15 FOR GENERAL VENTILATING USE ONLY. DO NOT USE TO EXHAUST HAZARDOUS OR EXPLOSIVE MATERIALS AND VAPORS.
- 16 CONNECT AIR BLOWER WITH PROPERLY GROUNDED OUTLET ONLY. See grounding instructions.
- 17 DO NOT ALLOW AIR BLOWER TO BE USED AS A TOY. Keep children away from Air Blower.
- 18 DO NOT LEAVE UNATTENDED while Air Blower is running.
- 19 DO NOT USE IF CORD, PLUG OR AIR BLOWER IS IN POOR CONDITION. If the Air Blower has been dropped, damaged, exposed to weather, or dropped into water; have it checked by an authorized service.
- 20 ALWAYS USE EYE PROTECTION when operating Air Blower.
- 21 USE EXTRA CAUTION when operating on stairs.
- 22 STAY ALERT! Do not use Air Blower when you are tired or under the influence of drugs, alcohol or medication.
- 23 TO REDUCE THE RISK OF ELECTRIC SHOCK, DO NOT EXPOSE TO WATER OR RAIN.

## SAVE THESE INSTRUCTIONS

**This Air Blower is intended for commercial use.**

## SAFETY INSTRUCTIONS

### GROUNDING INSTRUCTIONS

This appliance must be grounded. If it should malfunction or break down, grounding provides a path of least resistance for electric current to reduce the risk of electric shock.

This appliance is equipped with a cord having an equipment grounding conductor and ground plug.

The plug must be inserted into an appropriate outlet that is properly installed and grounded in accordance with all local codes and ordinances.

#### **WARNING:**

Improper connection of the equipment-grounding conductor can result in a risk of electric shock.

Check with a qualified electrician or service person if you are in doubt as to whether the outlet is properly grounded.

Do not modify the plug provided with the appliance.

If it will not fit the outlet, have a proper outlet installed by a qualified electrician.

This appliance is for use on a nominal 120-volt circuit, and has a grounded plug that looks like the plug illustrated in Fig.A.

A temporary adapter that looks like the adapter illustrated in Fig.B, may be used to connect this plug to a two-pole receptacle as shown in Fig.B, if a properly grounded outlet is not available.

The temporary adapter should be used only until a properly grounded outlet (Fig.A) is installed by a qualified electrician.

The green colored rigid ear, lug, or the like extending from the adapter must be connected to a permanent ground such as a properly grounded outlet box cover.

Whenever the adapter is used, it must be held in place by a metal screw.

**IN ALL CASES, MAKE SURE THE RECEPTACLE IN QUESTION IS PROPERLY GROUNDED.**

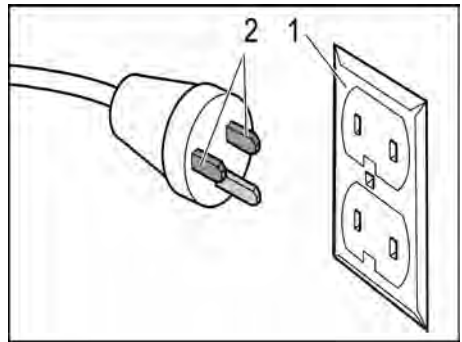
**NEVER REMOVE GROUNDING PRONG FROM POWER PLUG.**

### EXTENSION CORDS

Use only three-wire extension cords that have three-prong grounding-type plugs and three-pole receptacle that accepts the appliance's plug. Replace damaged or worn cord immediately.

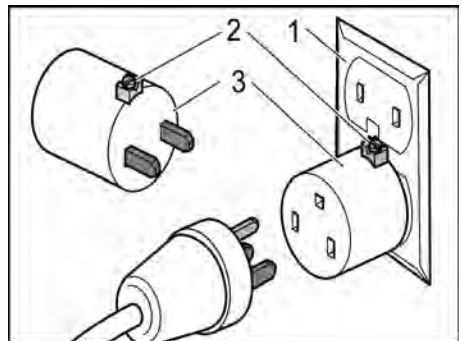
**DO NOT ATTEMPT TO REPAIR POWER CORD.**

Figure A



- 1 Grounded outlet box
  - 2 Current carrying prongs
- Grounding prong is longest of the 3 prongs

Figure B



- 1 Grounded outlet box
- 2 Grounding means
- 3 Adapter

Note:

In Canada, the use of a temporary adapter is not permitted by the Canadian Electrical Code.

### **Servicing of double-insulated appliances**

In a double-insulated appliance, two systems of insulation are provided instead of grounding. No grounding means is provided on a double-insulated appliance, nor should a means for grounding be added to the appliance. Servicing a double-insulated appliance requires extreme care and knowledge of the system, and should be done only by qualified service personnel. Replacement parts for a double-insulated appliance must be identical to the parts they replace.



Please read and comply with these instructions prior to the initial operation of your appliance. Retain these operating instructions for future reference or for subsequent possessors.

- The non-compliance of the operating and safety instructions may lead to damages of the appliance and to dangers for the operator and other persons.
- In case of transport damage inform vendor immediately

## Symbols in the operating instructions

### **Danger**

indicates an immediate threat of danger. Failure to observe the instruction may result in death or serious injuries.

### **Warning**

indicates a possibly dangerous situation. Failure to observe the instruction may result in light injuries or damage to property.

### **Note**

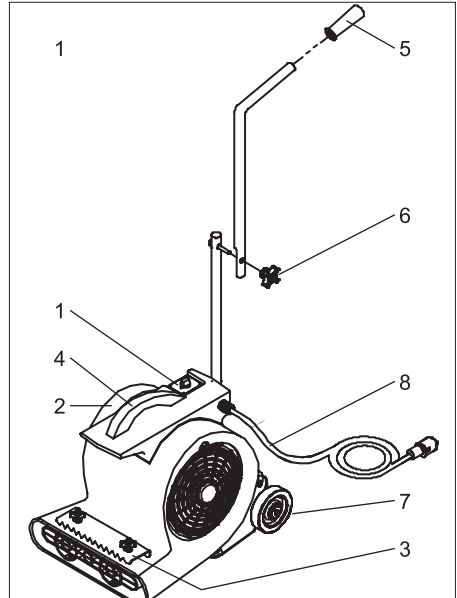
indicates useful tips and important information.

## Proper use

- This device is meant for drying carpets/ carpet floors that have been wet-cleaned.
- This device is exclusively meant for industrial and commercial use.

Any use extending beyond this is not considered as proper use. The manufacturer is not liable for any losses resulting from this; the user alone bears the risk for this.

## Device elements



- 1 Power switch
- 2 Blower
- 3 Clamping part with cross-handles
- 4 Handle
- 5 Transport handle
- 6 Fastener for transport handle
- 7 Bearing wheel
- 8 Power cord

## Start up

- ➔ Install the transport handle.

## Operations

### **Note**

While placing the device, ensure that the blower grid is free and does not have any objects in front of it.

- ➔ Open doors and windows as wide as possible to improve the ventilation.

### **Drying the carpet from the top**

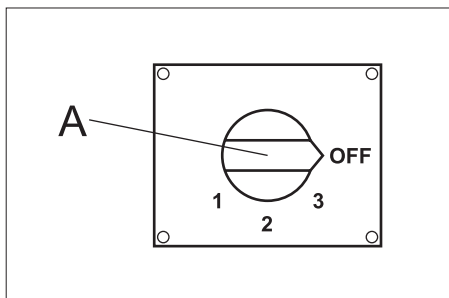
- ➔ Place the device on the carpet to be dried.

## Drying the carpet from below

- Lift the carpet.
- Push the carpet under the clamping part of the device and fasten it by turning the cross-handles.

## Turning on the Appliance

- Plug in the main plug.
- Turn on the appliance.



A Power switch

OFF	Off
3	Maximum output
2	Medium output
1	Minimum output

## Shutting down

- Turn off the appliance.
- Pull out the mains plug.

## Maintenance and care

### **⚠ Danger**

First remove the mains plug before doing any job on the device.

- Check the blower grid daily for dirt and clean it.
- Clean regularly the surfaces of the device with a moist piece of cloth.

## Troubleshooting

### Blower is not working

- Check cables, plugs, fuse, and socket.

- Turn on the appliance.

**If malfunction can not be fixed, the device must be checked by customer service.**

- Inform Customer Service

## Warranty

The warranty terms published by our competent sales company are applicable in each country. We will repair potential failures of your appliance within the warranty period free of charge, provided that such failure is caused by faulty material or defects in fabrication. In the event of a warranty claim please contact your dealer or the nearest authorized Customer Service center. Please submit the proof of purchase.

## Accessories and Spare Parts

- Only use accessories and spare parts which have been approved by the manufacturer. The exclusive use of original accessories and original spare parts ensures that the appliance can be operated safely and troublefree.
- At the end of the operating instructions you will find a selected list of spare parts that are often required.
- For additional information about spare parts, please go to the Service section at [www.kaercher.com](http://www.kaercher.com).

## Specifications

Voltage	V	120
Frequency	Hz	60
Current type	--	1~
Power	W	700
Length	mm	640
Width	mm	400
Height	mm	950
Weight	kg	17.5
Sound pressure level (EN 60704-1)	dB(A)	70

