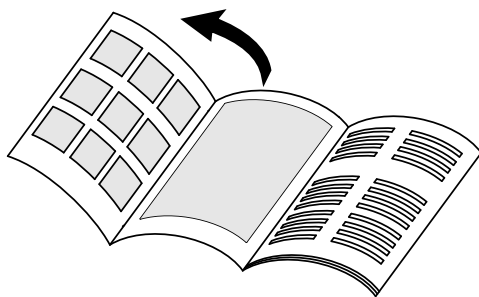
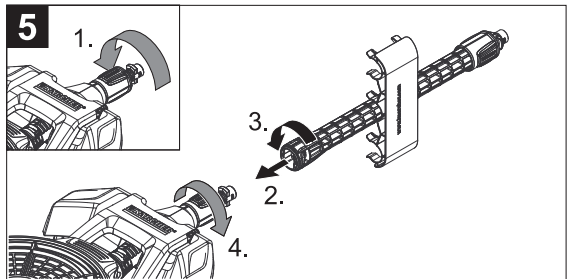
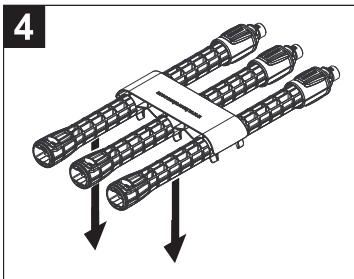
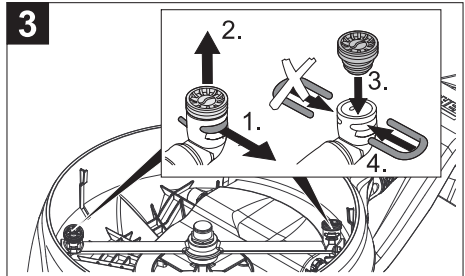
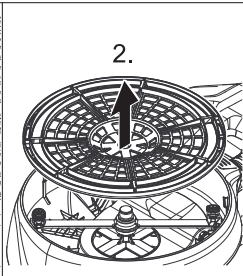
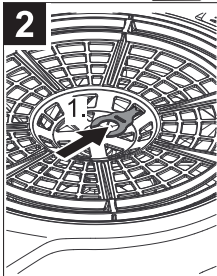
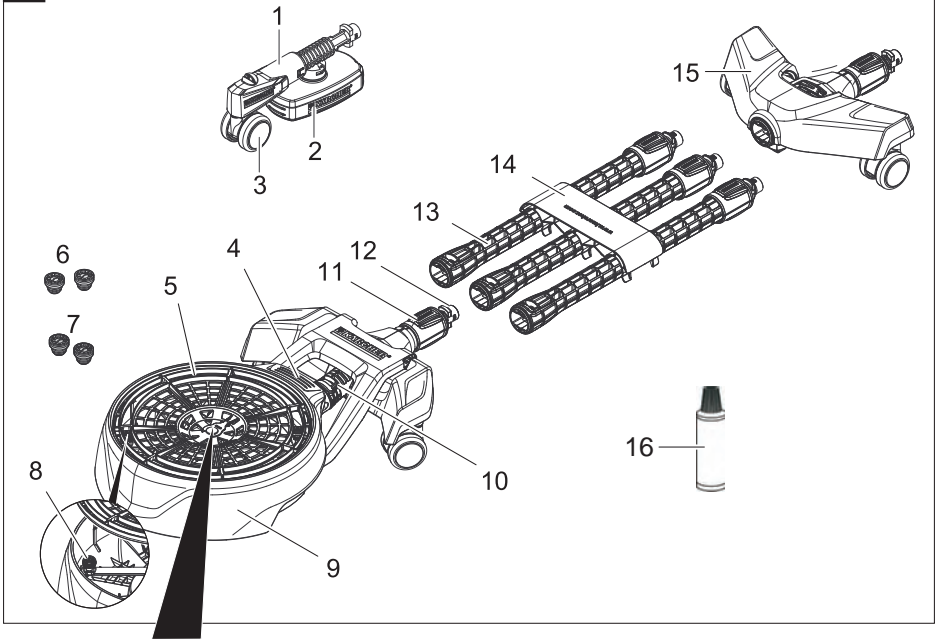
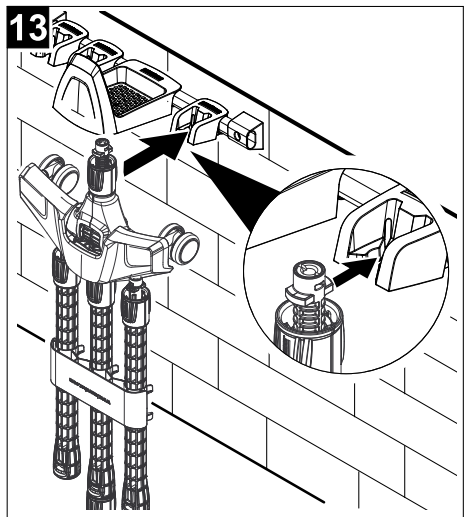
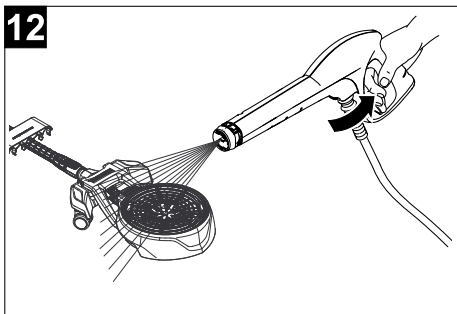
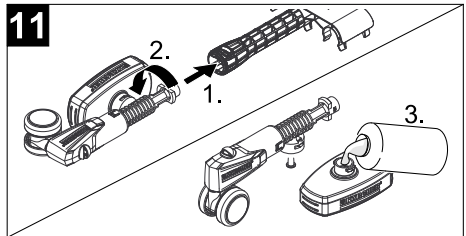
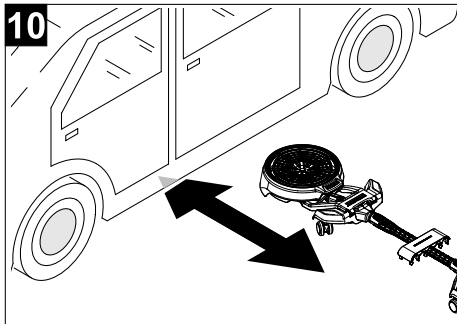
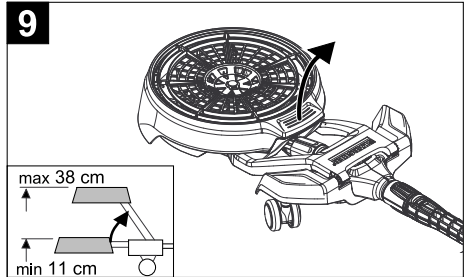
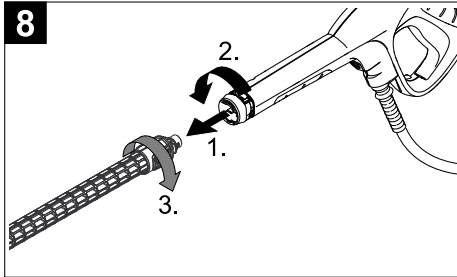
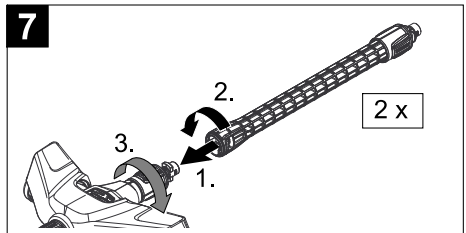
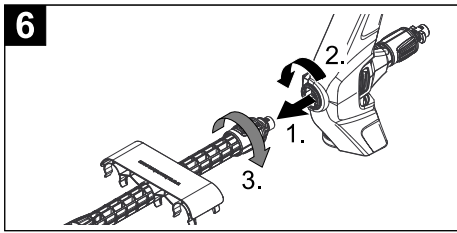


Register and win!
www.karcher.com





1



Contents

General information	EN	5
Safety instructions	EN	5
Description of the Appliance	EN	6
Preparing the Appliance	EN	6
Start up	EN	6
Operation	EN	7
Finish operation	EN	7



Please read and comply with these original instructions prior to the initial operation of your appliance and store them for later use or subsequent owners.

Proper use

The underbody cleaner can be used with all KÄRCHER consumer high pressure cleaners.

It is not suitable for commercial use.

- The underbody cleaner is suitable for cleaning underbodies of regular cars/ SUVs, caravan and campers.


Due to the minimum construction height of approx. 11 cm, the cleaning of lower-lying cars is only conditionally possible.


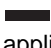
General information

Environmental protection

Caution!

When working with the underbody cleaner, make sure that the wastewater generated is disposed of into the public sewer system and then on to a wastewater treatment plant.

 The packaging material can be recycled. Please do not place the packaging into the ordinary refuse for disposal, but arrange for the proper recycling.

 Old appliances contain valuable materials that can be recycled. Please  arrange for the proper recycling of old appliances. Please dispose your old appliances using appropriate collection systems.

Notes about the ingredients (REACH)

You will find current information about the ingredients at:

www.kaercher.com/REACH

Warranty

The warranty terms published by the relevant sales company are applicable in each country. We will repair potential failures of your appliance within the warranty period free of charge, provided that such failure is caused by faulty material or defects in manufacturing. In the event of a warranty claim please contact your dealer or the nearest authorized Customer Service centre. Please submit the proof of purchase.

Spare parts

Use only original KÄRCHER spare parts. You will find a list of spare parts at the end of these operating instructions.

Safety instructions

- *This appliance is not intended for use by persons with reduced physical, sensory or mental capabilities. The appliance must not be operated by children or persons who have not been instructed accordingly. Children should be supervised to prevent them from playing with the appliance.*
- *Keep persons and objects out of the cleaning area while cleaning.*
- *Please observe the national and local regulations for car cleaning.*
- *Do not use directly after use of vehicle - allow engine to cool first.*
- *Please observe the safety instructions of your high-pressure cleaner.*
- *Maximum water temperature 60°C (please observe the instructions of your high-pressure cleaner).*
- *Only use care products manufactured by KÄRCHER. The use of other detergents or chemicals may compromise the safety of the appliance.*

Description of the Appliance

In the event of missing accessories or any transport damage, please contact your dealer.

Illustrations on fold-out page!

Illustration 1



- 1 Care product nozzle
- 2 Care product container
- 3 Steering roller
- 4 Recessed grip
- 5 Protective grid for cleaning head
- 6 2 x high pressure nozzle, yellow
- 7 2 x high pressure nozzle, black
- 8 2 x high pressure nozzle, orange (already installed)
- 9 Cleaning head
- 10 Joint for height adjustment
- 11 Locking nut
- 12 Spray lance connection
- 13 Spray lances
- 14 Holder with spray lances
- 15 Rear support
- 16 Underbody wax (250 ml)

Preparing the Appliance

Installing the nozzles

Select the nozzles to match the high pressure cleaner used.

K 2: Use yellow high pressure nozzles

K 3, K 4, K 5: Use black high-pressure nozzles

K 6, K 7: Use orange high pressure nozzles (already installed)

Illustration 2

→ Remove the protective grid from the cleaning head.

Illustration 3

- Remove the clamp for the nozzle mount.
- Pull out the unneeded high pressure nozzle.
- Select the high pressure nozzle needed to match the high pressure cleaner used and press them in.

- Insert the clamp and secure the high pressure nozzle.
- Insert the protective grid and secure with clamps.

Assembling the underbody cleaner

Illustration 4

→ Pull the two outer spray lances off of the intake; these will be needed later.

Illustration 5

- Completely turn back the fastening nut on the connection of the cleaning head guide.
- Press the spray lance onto the connection; rotate all the way to the stop by 90°.
- Tighten the fastening nut and secure the connection.

Illustration 6

→ Press the rear support onto the spray lance; rotate all the way to the stop by 90°. Fasten with a fastening nut.

Illustration 7

→ Press both spray lances onto the the rear support; rotate all the way to the stop by 90°. Fasten with fastening nuts.

Now, the underbody cleaner is ready to be used and connected to a KÄRCHER high pressure cleaner.

Note: The underbody cleaning should be performed prior to general car cleaning processes.

Start up

→ Operate the high pressure cleaner as instructed in the operating instructions.

Illustration 8

→ Press the hand spray gun of the high pressure cleaner onto the spray lances; rotate all the way to the stop by 90°. Fasten with a fastening nut.

Operation

Note: Please read and observe the safety instructions prior to use!

Underbody cleaning

→ Turn on the high-pressure cleaner.

Illustration **9**

Adjust the height of the cleaning head:

→ Hold the cleaning head by the handle recess and set it to the desired height by pulling and pushing.

Illustration **10**

→ Slide the underbody cleaner under the body of the vehicle.

→ Unlock the lever on the hand spray gun (see high pressure cleaner operating instructions).

→ Press the lever on the hand spray gun and begin cleaning (see high pressure cleaner operating instructions).

Note: The underbody cleaner with its articulating guide rollers can be moved effortlessly under the vehicle. If it gets stuck, please do not use excessive force.

Underbody care

You can apply care products after the underbody wash with the care product nozzle to preserve the vehicle.

Please observe the instructions on the care product bottle.

Illustration **11**

→ Use the care product nozzle instead of the cleaning head.

→ Fill 0.2 litres of care product into the care product container.

Completely use up the container contents for the underbody care; do not pour the care product back into the bottle.

→ For procedure see "Underbody cleaning".

Finish operation

After concluding the cleaning process, clean the care product nozzle, the cleaning head and the underbody cleaner:

→ Remove the hand spray gun from the spray lance.

Illustration **12**

→ Press the lever on the hand spray gun and clean the underbody cleaner with a gentle water jet.

→ After cleaning, switch off the high pressure cleaner.

→ Unscrew the empty care product container from the care product nozzle.

→ Clean the care product nozzle and the care product container under running water until all care product residue has been removed.

Storage

For space-saving - it is possible to store the underbody cleaner hanging up.

→ Clip both spray lances into their holders.

Illustration **13**

→ Hook the underbody cleaner onto the wall or into a KÄRCHER organiser (special accessory, order no. 2.641-630.0).