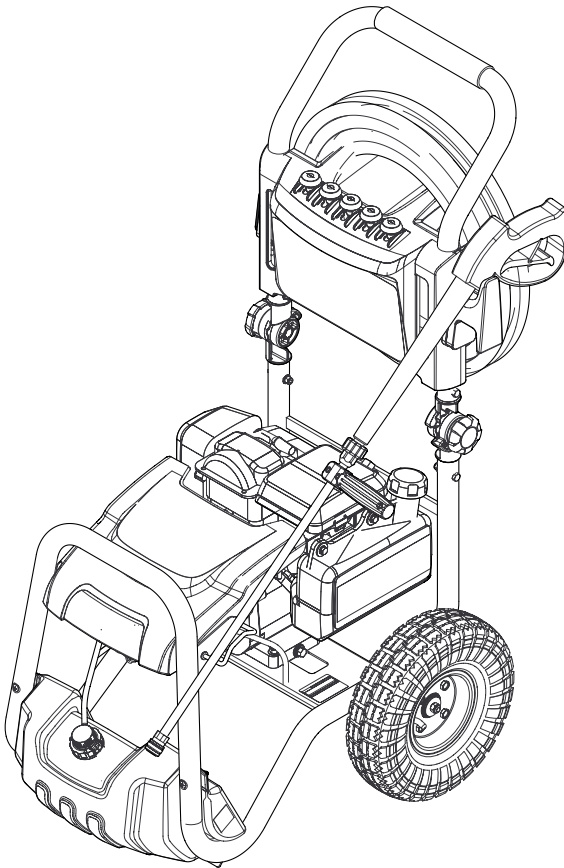




**G 3000 BH**

**G 3025 BH**



# HIGH PRESSURE WASHER OPERATOR MANUAL

Model Overview	3
Important Safety Instructions	4
Assembly Instructions	6
Operating Instructions	13
Using the Accessories	15
Working with Detergents	15
Taking a Break	17
Shutting Down & Clean-Up	17
Winterizing and Long-Term Storage	18
Maintenance Instructions	18
Cleaning Tips	19
Troubleshooting	21

## Specifications

Operating pressure	3000 PSI
Water volume	2.5 GPM
Detergent suction	0.05 - 0.10 GPM
Engine	187cc Honda GC 190
Part No.	G 3000 BH 1.194-601.0
Part No.	G 3025 BH 1.194-602.0
Serial no.	

## Safety Alert Symbols

### **DANGER**

*indicates "an imminently hazardous situation which, if not avoided, will result in death or serious injury."*

### **WARNING**

*indicates "a potentially hazardous situation which, if not avoided, could result in death or injury."*

### **CAUTION**

*indicates "a potentially hazardous situation which, if not avoided, may result in*

*minor or moderate injury or in property damage incidents."*

## Owner/User Responsibility

The owner and/or user must have an understanding of the manufacturer's operating instructions and warnings before using this pressure washer.

Warning information should be emphasized and understood.

If the operator is not fluent in English, the manufacturer's instructions and warnings shall be read to and discussed with the operator in the operator's native language by the purchaser/owner, making sure that the operator comprehends its contents.

Owner and/or user must study and maintain for future reference the manufacturer's instructions.

## Kärcher Customer Support USA

Call: **1-800-537-4129** for help or visit our website:

**[www.karcher-usa.com/home](http://www.karcher-usa.com/home)**

Please take a moment to register your pressure washer online at

**[www.karcher-usa.com/warranty](http://www.karcher-usa.com/warranty)**

## Kärcher Customer Service CDN

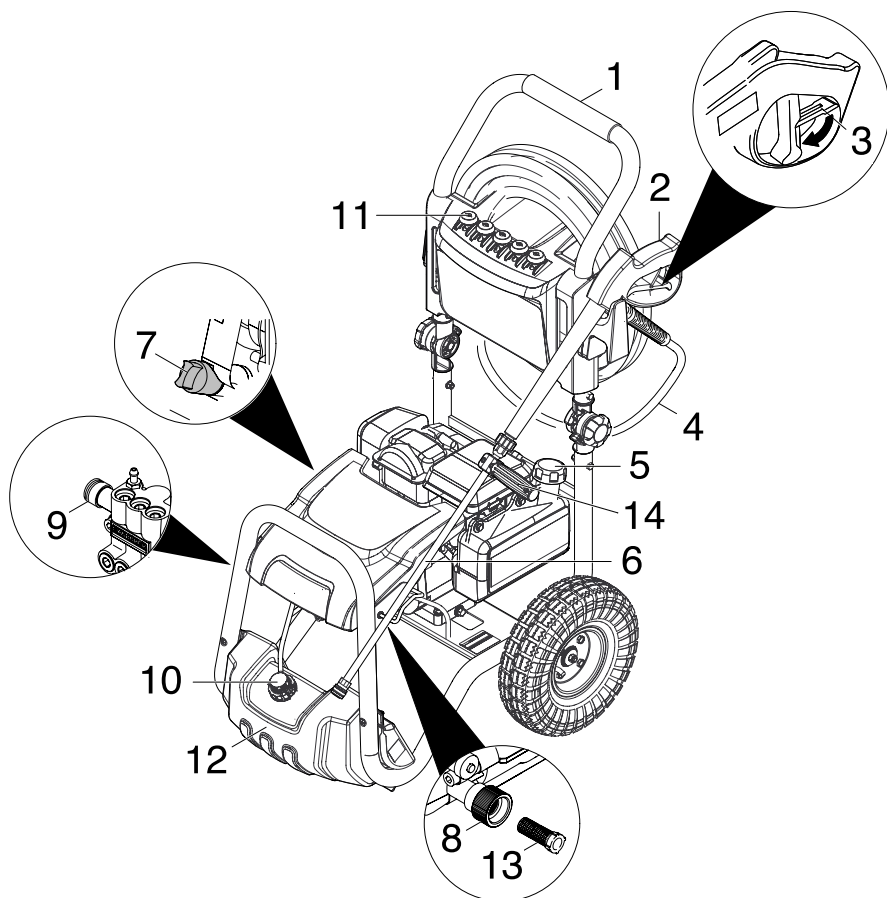
Call: **1-800-537-4129** for help or visit our website:

**[www.karcher-canada.com](http://www.karcher-canada.com)**

## Kärcher Customer Support Mexico

Call: **01-800-024-13-13** for help or visit our website: **[www.karcher.com.mx](http://www.karcher.com.mx)**

## MODEL OVERVIEW



- |   |  |    |   |
|---|--|----|---|
| 1 | Handle   | 10 | Detergent metering valve and detergent suction tube |
| 2 | Trigger gun  | 11 | Quick connect nozzles                               |
| 3 | Trigger gun safety lock  | 12 | Detergent tank                                      |
| 4 | High pressure hose   | 13 | Water inlet filter                                  |
| 5 | Gas tank   | 14 | Hand grip<br>(G 3025 BH only)                       |
| 6 | Spray wand   |    |   |
| 7 | Dipstick   |    |   |
| 8 | Water inlet with garden hose connector   |    |   |
| 9 | High pressure outlet<br>Quick connect high pressure outlet<br>(G 3025 BH only) |    |   |

*For engine details see engine manual.*

## IMPORTANT SAFETY INSTRUCTIONS

- *Read the operating instructions of the engine manufacturer before start-up and follow the safety instructions carefully.*
- ⚠ **WARNING**

*When using this product basic precautions should always be followed, including the following:*

  - *Read all the instructions before using the product.*
  - *To reduce the risk of injury, close supervision is necessary when a product is used near children.*
  - *Know how to stop the product and bleed pressures quickly. Be thoroughly familiar with the controls.*
  - *Stay alert – watch what you are doing.*
  - *Do not operate the product when fatigued or under the influence of alcohol or drugs.*
  - *Keep operating area clear of all persons.*
  - *Do not overreach or stand on unstable support. Keep good footing and balance at all times.*
  - *Wear safety goggles.*
  - *Follow the maintenance instructions specified in the manual.*
- ⚠ **WARNING**

*Risk of Injection or Injury – Do Not Direct Discharge Stream At Persons.*

  - *High pressure jets can be dangerous if misused. The jet must not be directed at persons, animals, electrical devices, or the unit itself.*
  - *Do not spray electrical connections, electrical outlets or fixtures.*
- ⚠ **WARNING**

*Risk Of Explosion – Do not spray flammable liquids.*
- *Do not use acids, alkaline, solvents, or any flammable material in this product. These products can cause physical injuries to the operator and irreversible damage to the machine.*
- ⚠ **WARNING**

*Gun Kicks Back – Hold with both hands.*
- *The Trigger Gun Safety Lock prevents the trigger from accidentally being engaged. This safety feature DOES NOT lock trigger in the ON position.*
- ⚠ **WARNING**

*The engine exhaust from this product contains chemicals known to the State of California to cause cancer, birth defects or other reproductive harm.*
- ⚠ **CAUTION**

*Risk of Asphyxiation – Use this product only in a well ventilated area.*

  - *Operate and fuel machine in a well ventilated area, free of devices featuring an open pilot or flame such as boilers, water heaters, etc.*
- ⚠ **CAUTION**

*Risk of Fire – Do not add fuel when the product is operating.*

  - *Do not operate if fuel has been spilled. Instead, move the machine to a different location and avoid creating sparks.*
  - *The machine has hot surfaces which can cause burns. Operate the unit in a safe environment and away from children.*
  - *Do not touch hot surfaces or allow accessories to contact hot surfaces.*

- *Do not allow the high pressure hose to come into contact with the muffler guard.*
- *Do not leave the machine running unattended.*
- *Avoid tipping the machine on its side.*

## **SAVE THESE INSTRUCTIONS**

### **WATER SUPPLY (Cold Water Only)**

#### **⚠ CAUTION**

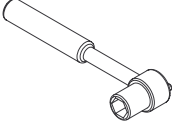
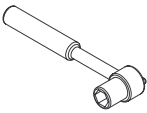
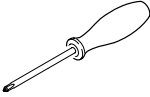
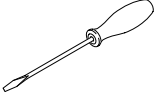
*When connecting the water inlet to the water supply mains, local regulations of your water company must be observed. In some areas the unit must not be connected directly to the public drinking water supply. This is to ensure that there is no feedback of chemicals into the water supply. Direct connection via a receiver tank or backflow preventer, for example, is permitted.*

*Dirt in the feed water will damage the unit. To avoid this risk, we recommend fitting a water filter.*

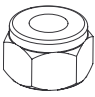
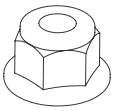

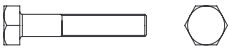
- Garden hose must be at least 5/8 inch in diameter.
- Flow rate of water supply must not fall below 2.8 GPM (gallons per minute).
- Flow rate can be determined by running the water for one minute into an empty 5-gallon container.
- The water supply temperature must not exceed 104°F/40°C.
- Never use the pressure washer to draw in water contaminated with solvents, e.g. paint thinners, gasoline, oil, etc.
- Always prevent debris from being drawn into the unit by using a clean water source. Use additional water filter.
- Do not operate pressure washer without the water turned on.


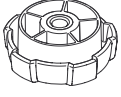
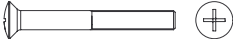

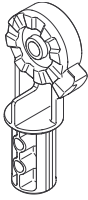


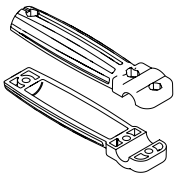

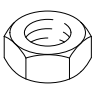
# ASSEMBLY INSTRUCTIONS

## Required Tools (not included)

Description	
1/2" (or 13mm) Socket Wrench	
7/16" (or 11mm) Socket Wrench	
Phillips Srew-Driver Size #2	
Flat srew driver	

## Hardware (included)

	Description	Purpose	Illustration	Qty
A	5/16" nut	Wheel assembly		2
B	1/4" nut	Detergent tank / joint assembly		4
C	5/16" washer	Wheel assembly		2
D	1/4" bolt	Joint assembly		2

	Description	Purpose	Illustration	Qty
E	5/16" bolt	Joint assembly		2
F	Knob	Joint assembly		2
G	1/4" screw	Detergent tank		2
H	1/4" washer	Detergent tank		2
I	Joint	Joint assembly		2
J	Screw (self tapping)	Accessory holder assembly		4
K	Hook	Accessory holder assembly		1
L	Hand grip (G 3025 BH only)	Hand grip assembly		2
M	screw M5 x 16 (G 3025 BH only)	Hand grip assembly		3
N	Nut M5 (G 3025 BH only)	Hand grip assembly		3

## Assembling

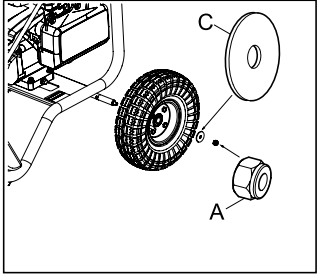
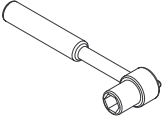
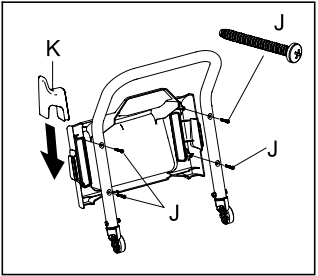
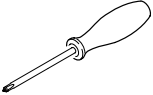
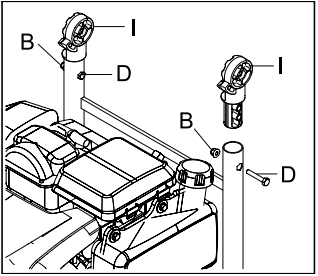
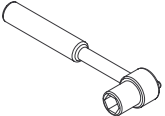
Illustration	Description	Tools re-quired
<p>1.</p> 	<p>Position wheels onto each axle followed by the washer <b>(C)</b> and then the nut <b>(A)</b>. Hand tighten with 1/2" (or 13mm) socket wrench.</p>	<p>1/2" wrench or use alternative size 13mm.</p> 
<p>2.</p> 	<p>Attach accessory plate to top handle. Align the holes on the plate to the holes on the frame. Hand tighten screws <b>(J)</b>. Attach hook <b>(K)</b>.</p>	<p>Phillips Srew- Driver Size #2</p> 
<p>3.</p> 	<p>Insert joints <b>(A)</b> into base portion of frame. Use one 1/4" bolt <b>(C)</b> and tighten with one 1/4" nut <b>(B)</b> on each side. Hand tighten.</p>	<p>7/16" wrench or use alternative size 11mm.</p> 



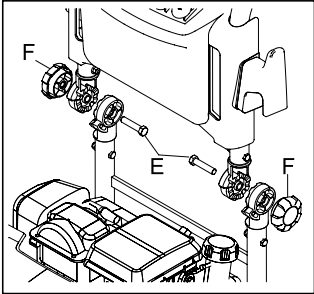
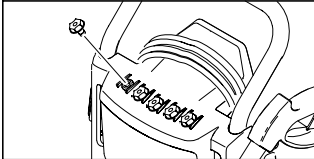
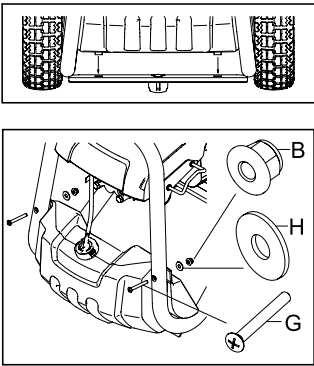
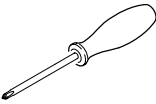
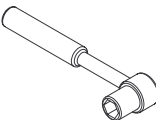
Illustration	Description	Tools required
<p>4.</p> 	<p>Attach the handle to the frame of the pressure washer. Align holes, insert one 5/16" bolt (E), and tighten the knob (F) on each side.</p>	<p>none</p>
<p>5.</p> 	<p>Place the quick connect nozzle in the nozzle holder. The holders use a snap forward feature. Push down and snap the nozzle forward until you hear it click into place. This feature allows you to fold the handle backward with the nozzles remaining securely in place.</p>	<p>none</p>
<p>6.</p> 	<p>Mount the detergent tank by sliding the tank into position from either left side or right side of the frame. Align the tank into the grooves found on the support beam below. Be sure the tank rests against the frame snugly before tightening the supplied 1/4" screw (G), washer (H) and nut (B).  B - nut (2 pieces)  H - washer (2 pieces)  G - screw (2 pieces)</p>	<p>Phillips Screw-Driver Size #2</p>  <p>7/16" wrench or use alternative size 11mm.</p> 

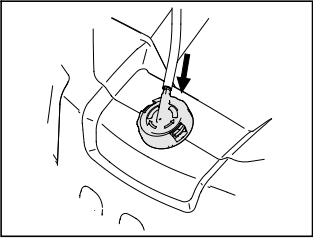
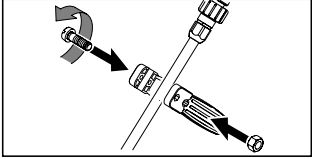
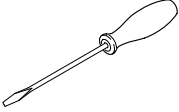
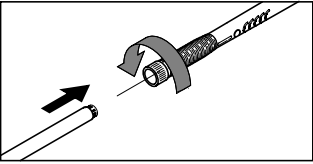
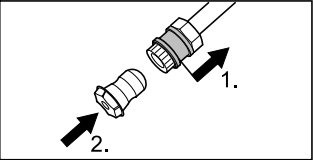
Illustration	Description	Tools required
<p>7.</p> 	<p>Attach the siphon tube from the pump to the detergent metering valve.</p>	<p>none</p>
<p>8. (G 3025 BH only)</p> 	<p>Assemble Hand grip to the spray lance.  L - handle (2 pieces)  M - screw (3 pieces)  N - nut (3 pieces)</p>	<p>Flat screw driver</p> 
<p>9.</p> 	<p>Attach the wand to the spray gun.</p>	<p>none</p>
<p>10.</p> 	<p>Pull back the springloaded collar on the end of the wand to insert your choice of quick connect nozzle.</p>	<p>none</p>

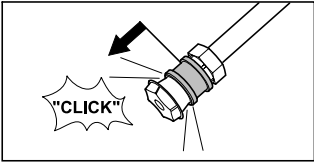
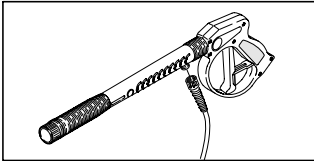
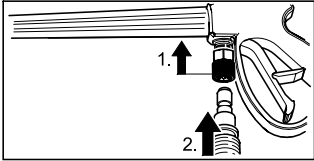
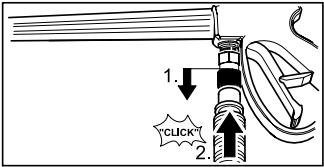
Illustration	Description	Tools required
	<p>Release the collar and push the nozzle until the collar clicks.</p> <p><b>⚠ WARNING</b></p> <p><i>High pressure in nozzle area.</i></p> <p><i>Risk of injury caused by improperly locked nozzle.</i></p> <ul style="list-style-type: none"> <li>■ Make sure you hear a 'click' when inserting the nozzle tip into the wand.</li> <li>■ Pull the nozzle to make sure it is seated properly before operating your unit.</li> </ul>	<p>none</p>
<p><b>11. G 3000 BH</b></p> 	<p>Attach the high pressure hose to the spray gun.</p>	<p>none</p>
<p><b>G 3025 BH</b></p> 	<p>Pull back the springloaded collar at the spray gun and insert the high pressure hose.</p>	<p>none</p>

Illustration	Description	Tools required
	<p>Release the collar and push the high pressure hose until the collar clicks</p> <p><b>⚠ WARNING</b></p> <p><i>High pressure in quick connect area.</i></p> <p><i>Risk of injury caused by improperly locked high pressure hose.</i></p> <ul style="list-style-type: none"><li>■ Make sure you hear a 'click' when inserting the high pressure hose into the quick connection.</li><li>■ Pull the high pressure hose to make sure it is seated properly before operating your unit.</li></ul>	none

# OPERATING INSTRUCTIONS

## CAUTION

*This machine is shipped without oil in the engine crankcase. Add oil before operating the unit.*

*Do not run the engine with a high or low oil level as this can cause engine damage.*

*If you have further questions regarding the engine, please refer to the engine manual included with the unit.*

## → STEP 1:

Check oil level. Oil level should always be between the "FULL" and "ADD" marks on the dipstick.

Be sure the machine is level when checking the oil level. (Refer to the engine's operating manual for seasonal grades.).

*We recommend that the oil be changed after the first 5 hours of use, then once every 25 hours.*

## → STEP 2:

Fill gas tank with unleaded gasoline.

**Do not use leaded gasoline.**

**Do not add oil to the gasoline.**

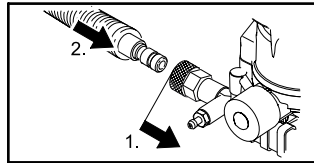
## → STEP 3:

### G 3000 BH

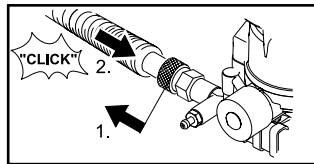
Connect the high pressure hose to the unit's high pressure outlet.

### G 3025 BH

Pull back the springloaded collar at the high pressure outlet and insert the high pressure hose.



Release the collar and push the high pressure hose until the collar clicks



## ⚠ WARNING

*High pressure in quick connect area. Risk of injury caused by improperly locked high pressure hose.*

- Make sure you hear a 'click' when inserting the high pressure hose into the quick connection.
- Pull the high pressure hose to make sure it is seated properly before operating your unit.

## → STEP 4:

Connect garden hose to unit's water inlet.

→ **STEP 5:**

Connect garden hose to the cold water source and turn water on completely.

***Do not use hot water.***

→ **STEP 6:**

Unlock the trigger gun safety lock. Trigger the gun to eliminate trapped air, wait for a steady flow of water to emerge from the spray nozzle.

→ **STEP 7:**

**Initial Start:**

Pull the choke rod to the CLOSED position.

**Starting a Warm engine:**

If the engine has run out of fuel, set choke rod to the CLOSED position after refueling. If the engine has not run out of fuel, leave the choke rod in the OPEN position.

→ **STEP 8:**

**Engine with manual throttle:**

Slide the throttle lever away from the SLOW position, about 1/3 of the way toward the FAST position.

**Engine with fixed throttle:**

Move the engine stop switch to the ON position.

*For engine details see engine manual.*

→ **STEP 9:**

Pull the starter handle.

If the engine fails to start after 3 pulls, squeeze the trigger gun to release pressure, and repeat step.

After the engine warms up enough to run smoothly, move choke rod to OPEN position and throttle to FAST position.

## USING THE ACCESSORIES

### ⚠ **WARNING**

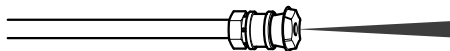
To avoid serious injury never point spray nozzle at yourself, other persons or animals.

### Quick connect nozzles

The color-coded quick connect nozzles provide a wide array of spray widths from 0° to 65° and are easily accessible when placed in the convenient nozzle holder.

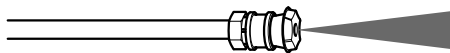
#### 0° spray angle = Red nozzle

For particularly stubborn accumulation of grime. **Not recommended** for soft materials like sidings, decks, painted surfaces, cars.



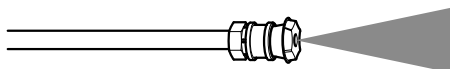
#### 15° spray angle = yellow nozzle

For dirt accumulation over a surface.



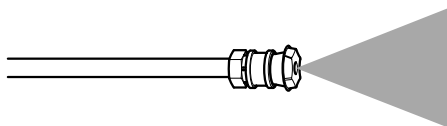
#### 25° spray angle = Green nozzle

For dirt accumulation over a large surface.



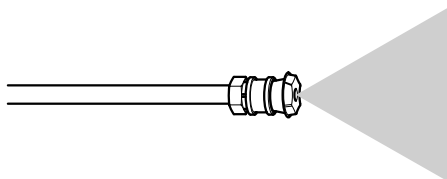
#### 40° spray angle = White nozzle

For moderate dirt accumulation over a large surface.



#### 65° spray angle = Black detergent nozzle

For operating with detergent or cleaning with low pressure.



### ⚠ **WARNING**

High pressure in nozzle area.  
Risk of injury caused by improperly locked nozzle.

- Make sure you hear a 'click' when inserting the nozzle tip into the wand.
- Pull the nozzle to make sure it is seated properly before operating your unit.

(See ASSEMBLY INSTRUCTIONS: Step 10)

## WORKING WITH DETERGENTS

**Detergents can only be applied with the black detergent nozzle.**

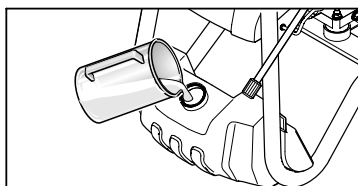
### → **STEP 1:**

Install the black detergent nozzle for detergent application (will work at low pressure only).

### → **STEP 2:**

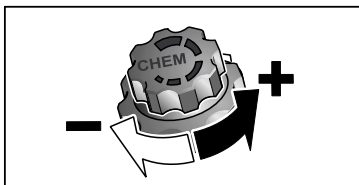
Fill the detergent tank with Kärcher

detergent. Close the detergent tank with the detergent metering valve.



→ **STEP 3:**

Adjust the detergent metering valve to the desired dosage



→ **STEP 4:**

With the engine running, pull trigger to operate unit.

*Liquid detergent is drawn into the unit and mixed with water.*

Do not allow detergent to dry on surface.

→ **STEP 5:**

**Always** draw fresh water through the detergent suction tube when the cleaning job is done, to rinse/flush any remaining detergents from the injection system.

**For best results see Cleaning Tips for specific information on how to clean different surfaces.**

## Detergents

**⚠ CAUTION**

*This unit has been designed for use with cleaning detergents recommended by the manufacturer. The use of other cleaning detergents may affect the operation of the machine and void the warranty.*

### **Always Use Kärcher Detergent for Best Results**

Kärcher biodegradable detergents are specially formulated to protect the environment and your pressure washer. The special formula won't clog the suction tube filter and will protect the internal parts of the pressure washer for a long-

er life. For Kärcher Detergents, check your retailer or visit our website: [www.karcher-usa.com/home](http://www.karcher-usa.com/home)

### **Kärcher detergents available in USA / Mexico:**

- All Purpose & Vehicle Cleaner
- Exterior House Cleaner
- Deck & Patio Cleaner
- Heavy Duty Degreaser

### **Kärcher detergents available in Canada:**

- Vehicle Wash
- Pressure Wash
- Deck & Fence Wash
- Degreaser

**⚠ CAUTION**

#### **Never use:**

- Bleach, Chlorine products and other corrosive chemicals
- Liquids containing solvents (i.e., paint thinners, gasoline, oils)
- Tri-sodium phosphate products
- Ammonia products
- Acid-based products

These chemicals will harm the unit and will damage the surface being cleaned.

**Use of these items will void the warranty.**



## TAKING A BREAK ..five minutes or more

### → STEP 1:

#### **Engine with manual throttle:**

Move the throttle lever to the SLOW position. Allow the engine to idle for a few seconds, then move the throttle lever to the STOP position.

#### **Engine with fixed throttle:**

Move the engine stop switch to the OFF position.

*For engine details see engine manual.*

### → STEP 2:

Release trigger and engage gun safety lock.

## SHUTTING DOWN & CLEAN-UP

### → STEP 1:

**Cleaning up:** Always draw fresh water through the detergent tank or siphon tube when done to flush any remaining detergents from the injection system.

Siphon water at low pressure for one minute.

### → STEP 2:

#### **Engine with manual throttle:**

Move the throttle lever to the SLOW position. Allow the engine to idle for a few seconds, then move the throttle lever to the STOP position.

#### **Engine with fixed throttle:**

Move the engine stop switch to the OFF position.

### → STEP 3:

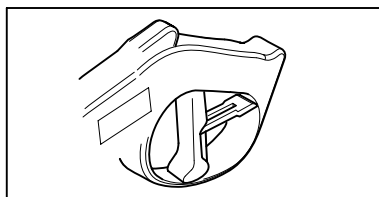
Turn off the water source.

### → STEP 4:

Press trigger to release water pressure.

### → STEP 5:

Release trigger and engage gun safety lock.



### → STEP 6:

Disconnect the garden hose from the water inlet on the unit.

### → STEP 7:

Disconnect the high pressure hose from the high pressure outlet.

## WINTERIZING AND LONG-TERM STORAGE

- **1:** Disconnect all water connections.
- **2:** Turn on the machine for a few seconds, until the water which had remained in the pump exits, turn off immediately.
- **3:** Do not allow high pressure hose to become kinked.
- **4:** Store the machine and accessories in a room which does not reach freezing temperatures. **DO NOT** store near furnace or other sources of heat as it may dry out the pump seals.

### **⚠ CAUTION**

*Failure to follow the above directions will result in damage to the pump assembly and accessories and will void the warranty.*

*Kärcher also recommends the regular practice of using a pump protector like “Kärcher Pump Guard” to prevent cold weather damage during storage in the winter months.*

## MAINTENANCE INSTRUCTIONS

### Kärcher pump

#### **Initial Use**

All Kärcher pumps ship with oil already inside direct from the factory. There is no need to add oil.

#### **Pump Inspection**

You should routinely make a visual inspection of the pressure washer's pump. If you notice oil leaking around the pump seals, you should take the pressure washer to a Kärcher-Authorized Service Center for repair. (You can locate a service center in your area online at [www.karcher-usa.com/service](http://www.karcher-usa.com/service).)

#### **Pump Maintenance**

The pump on your Kärcher pressure washer does not require maintenance. Any attempts to service or alter the pump may damage your pressure washer and void your product warranty.

### Engine

Carry out maintenance tasks for the engine according to the specifications provided in the operating instructions provided by engine manufacturer.

## CLEANING TIPS

### Deck Cleaning

**(with or without detergent).** Pre-rinse deck and surrounding area with fresh water. If using Kärcher Deck Wash, apply to surface at low pressure. For best results, limit your work area to smaller sections of approximately 25 square feet. Allow Deck Wash to remain on surface 1-3 minutes. Do not allow detergent to dry on surface. Rinse at high pressure in a long sweeping motion keeping the spray nozzle approximately 3-6 inches from the cleaning surface. Always clean from top to bottom and from left to right. When moving on to a new section of the cleaning surface, be sure to overlap the previous section to eliminate stop marks and ensure a more even cleaning result.

#### ⚠ CAUTION

*Do not use Dirtblaster spray nozzle on wood surface as it may cause damage.*

### House Siding

**(with or without detergent).** Pre-rinse cleaning surface with fresh water. If using Kärcher Pressure Wash, apply to surface at low pressure (for best results, limit your work area to sections of approximately 6 feet and always apply detergent from bottom to top). Allow Pressure Wash to remain on surface 1-3 minutes. Do not allow detergent to dry on surface, if surface appears to be drying, simply wet down surface with fresh water. If needed, use special wash brush attachment (not included) to remove stubborn dirt. Rinse at high pressure from top to bottom in an even

sweeping motion keeping the spray nozzle approximately 6 inches from the cleaning surface.

#### ⚠ CAUTION

*Do not use Dirtblaster spray nozzle on siding as it may cause damage.*

### Cement Patios, Brick and Stone

**(with or without detergent).** Pre-rinse cleaning surface with fresh water. If using Kärcher Pressure Wash or Degreaser, apply to surface at low pressure. For best results, limit your work area to smaller sections of approximately 25 square feet. Allow Pressure Wash or Degreaser to remain on surface 1-3 minutes. Do not allow detergent to dry on surface. Rinse at high pressure in a sweeping motion keeping the spray nozzle approximately 3-6 inches from the cleaning surface. Always clean from top to bottom and from left to right. For removing extremely stubborn stains, use the Dirtblaster Nozzle.

### Cars, Boats & Motorcycles

**(with or without detergent).** Pre-rinse vehicle with fresh water. If using Kärcher Touchless Vehicle Wash, apply to surface at low pressure. For best results, clean one side of vehicle at a time and always apply detergent from bottom to top, do not allow detergent to dry on surface. If needed, use special wash brush attachment (not included) to remove stubborn dirt. Rinse at high pressure in a sweeping motion keeping the spray nozzle approximately 6-8 inches from the cleaning surface (distance should increase when rinsing pin-striping or other sensitive surfaces). Always

clean from top to bottom and from left to right. For best results, wipe surface dry with a chamois or soft dry cloth.

**⚠ CAUTION**

*Do not use Dirtblaster spray nozzle on vehicles as it may cause damage.*

### Barbecue Grills, Outdoor Power Equipment & Gardening Tools

**(with or without detergent).** Pre-rinse cleaning surface with fresh water. If using Kärcher Pressure Wash or Degreaser, apply detergent at low pressure. Allow Pressure Wash to remain on surface 1-3 minutes. Do not allow detergent to dry on surface. Rinse at high pressure keeping the spray nozzle approximately 3-6 inches from the cleaning surface. For removing extremely stubborn dirt, it may be necessary to move the spray nozzle even closer to the surface for greater dirt cutting action.

**⚠ CAUTION**

*Do not use Dirtblaster spray nozzle on cloth, plastic or other sensitive surfaces as it may cause damage.*

### Patio & Lawn Furniture

**(with or without detergent).** Pre-rinse furniture and surrounding area with fresh water. If using Pressure Wash, apply to surface at low pressure. Allow Pressure Wash to remain on surface 1-3 minutes. Do not allow detergent to dry on surface. If needed use special Wash Brush Attachment (not included) to remove stubborn dirt. Rinse at high pressure in a sweeping motion keeping the spray nozzle approximately 3-6 inches from the cleaning surface. For best re-

sults, clean from top to bottom and from left to right.

**⚠ CAUTION**

*Do not use Dirtblaster spray nozzle on patio or lawn furniture as it may cause damage.*

### Recommendations

- Before cleaning any surface an inconspicuous area should be cleaned to test spray pattern and distance for maximum cleaning results.
- If painted surfaces are peeling or chipping, use extreme caution as pressure washer may remove the loose paint from the surface.
- When using on surfaces which might come in contact with food, flush surfaces with plenty of drinking water.
- For additional cleaning tips, visit our website at **[www.karcher-usa.com/home](http://www.karcher-usa.com/home)**

### Optional Accessories

*Optional accessories are available to further enhance your cleaning capabilities. These accessories are accurate as of the printing date of this manual. Please check our website [www.karcher-usa.com/home](http://www.karcher-usa.com/home) for pricing and up-to-date information.*

- Extension Hose
- Dirtblaster spray nozzle

## TROUBLESHOOTING

### ⚠ CAUTION

Remove the spark plug cable to prevent accidental ignition of the engine before making any repair.

Symptom	Cause	Solution
Engine will not start	No gasoline	Fill gas tank
	Choke is not in the correct position.	Pull the choke rod to the CLOSED position.
	Water pressure built up in the machine.	Squeeze the trigger to release the pressure.
	<b>For additional engine problems refer to the engine manual.</b>	
Unit does not reach high pressure.	Diameter of garden hose is too small.	Replace with a 5/8 inch or larger garden hose.
	Water supply is restricted.	Check garden hose for kinks, leaks and blockage.
	Not enough inlet water supply.	Turn water on full force. Check garden hose for kinks, leaks or blockage.
	Water inlet filter is clogged.	Remove filter and rinse out in warm water.
	Black detergent nozzle is attached.	Remove black detergent nozzle and attach high pressure nozzle
Output pressure varies high and low.	Not enough inlet water supply.	Turn water on full force. Check garden hose for kinks, leaks or blockage.
	Pump is sucking air.	Check that hoses and fittings are air tight. Turn off machine and purge pump by squeezing trigger gun until a steady flow of water emerges through the nozzle.
	Water inlet filter is clogged.	Remove filter and rinse out in warm water.
	Spray nozzle is obstructed.	Blow out or remove debris with a fine needle.
	Calcified gun, hose or spray wand.	Run distilled vinegar through detergent suction tube.

Symptom	Cause	Solution
No detergent.	Detergent suction tube not properly connected to the machine.	Check connection.
	Detergent is too thick.	Dilute detergent, for best results use Kärcher detergent.
	Filter on detergent suction tube is clogged.	Run warm water through filter to remove debris.
	Damaged or clogged detergent suction tube.	Remove obstruction or replace detergent suction tube.
	A high pressure nozzle is attached.	Replace with black detergent nozzle.
	Metering valve closed.	Open metering valve.
	Spray nozzle is obstructed.	Blow out or remove debris with fine needle.
Garden hose connection leaks.	Loose fittings.	Tighten fittings.
	Missing/worn rubber washer.	Insert new washer.
Spray wand leaks.	Spray wand not properly attached.	Turn the swivel nut of the gun clockwise until connection is tight.
	Broken o-ring.	Call Customer Support
Pump is noisy.	Pump is sucking air.	Check that hoses and fittings are air tight. Turn off machine and purge pump by squeezing trigger gun until a steady flow of water emerges through the nozzle.
Water leaks from pump (up to 10 drops per minute is permissible).	Loose fittings.	Tighten fittings.
	Water seals are damaged or worn.	Call Customer Support
	Thermal protection device is activated.	Thermal protection device will auto reset. Do not run pump for more than 5 minutes without spraying.
Oil Drip.	Oil seals are damaged or worn.	Call Customer Support

If you encounter any additional difficulties not listed, please call for help or visit our website.

**USA:** 1-800-537-4129  
[www.karcher-usa.com/home](http://www.karcher-usa.com/home)  
**Canada:** 1-800-537-4129  
[www.karcher-canada.com](http://www.karcher-canada.com)  
**Mexico:** 01-800-024-13-13  
[www.karcher.com.mx](http://www.karcher.com.mx)