

PARTS LIST FOR
4004 SERIES
PORTABLE
GASOLINE DRIVEN/BELT DRIVE
COLD WATER PRESSURE WASHER

Engine Oil Grade:	Above 40°F=SAE 30 Below 40°F=SAE10W-30
Engine Oil Capacity:	Vanguard 56 oz. Honda 37 oz.
Pump Oil Grade:	Pump Oil #AW-4085-0016
Pump Oil Capacity:	40.6 oz.
Nozzle Size:	Vanguard 4.0 Honda 3.5

This Parts Listing has been compiled for your benefit. You can be assured your new Cold Water Pressure Washer was constructed and designed with quality and performance in mind using over 25 years experience in the pressure washer business. Each component has been rigorously tested to insure the highest level of acceptance.

The contents of this Parts Listing are based on the latest product information available at the time of publication. The manufacturer reserves the right to make changes in price, color, materials, equipment, specifications or models at any time without notice.

WARNING

THIS IS A PROFESSIONAL HIGH PRESSURE, COLD WATER PRESSURE WASHER. CAUTION SHOULD BE OBSERVED WHEN USING OR REPAIRING THIS UNIT! READ AND FOLLOW THE SAFETY WARNINGS LISTED BELOW BEFORE ATTEMPTING ANY REPAIRS ON THIS PRESSURE WASHER!

SAFETY WARNINGS

1. NEVER alter or modify the equipment. Be sure any accessory items and system components being used will withstand the pressure developed. Use only genuine manufactured parts for repair of your pressure washer. Failure to do so can cause hazardous operating conditions and will VOID warranty.
2. NEVER make adjustments on machinery while the unit is connected to the engine without first removing the ignition cables from the spark plugs. Turning over the machinery by hand during adjustment or cleaning might start the machinery, causing serious injury to the operator.
3. Know how to stop and bleed pressures quickly. Be thoroughly familiar with controls.
4. Before servicing the unit, turn unit off, relieve the water pressure and allow the unit to cool down. Do not make repairs while the unit is running. Service in a clean, dry, flat area.
5. After testing the machine, DO NOT leave the pressurized unit unattended. Shut off the unit and release trapped pressure before leaving.

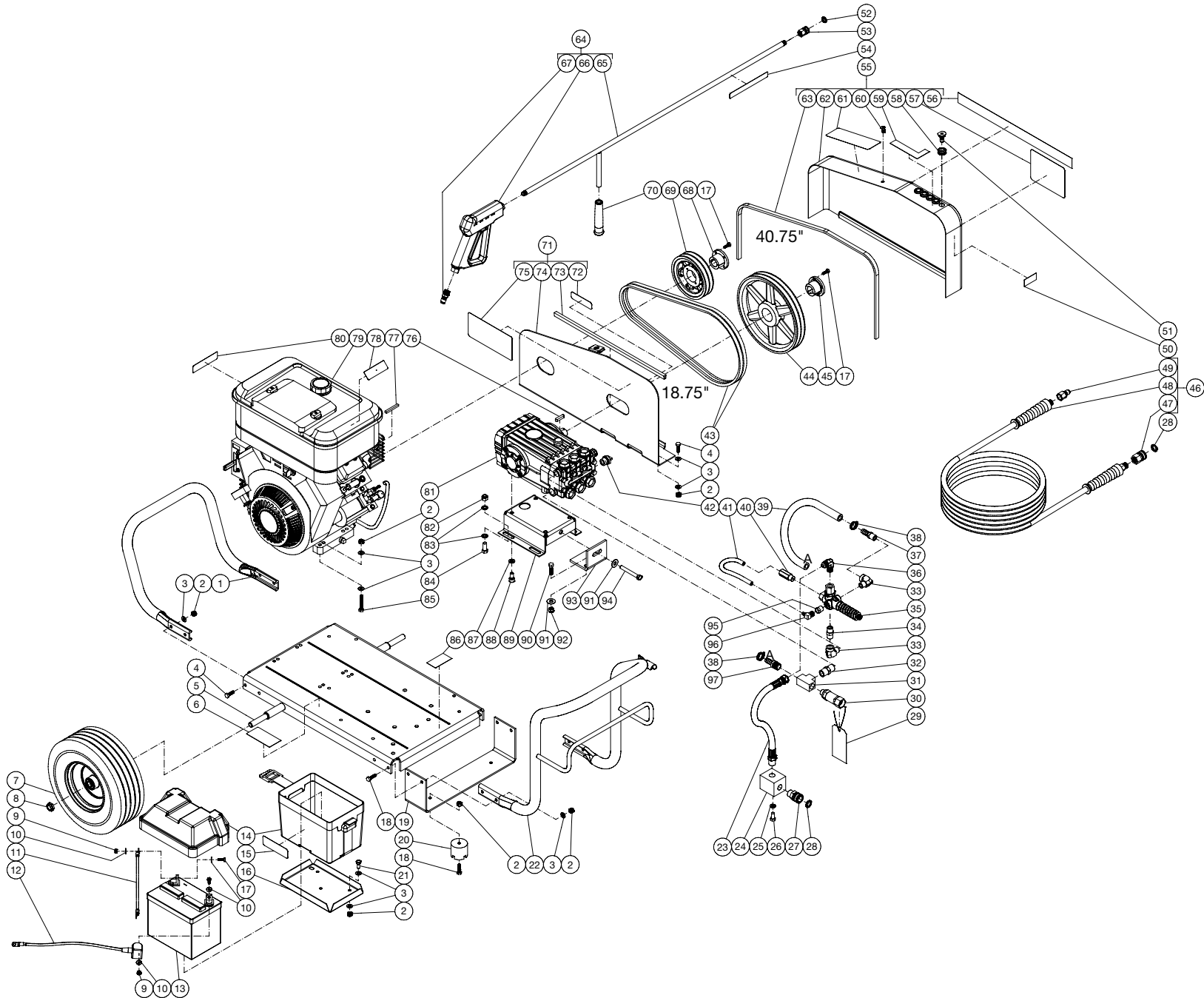
Table of Contents

SPECIFICATIONS.....	3
FRAME ASSEMBLY FOR 4004 (VANGUARD).....	4
FRAME ASSEMBLY FOR 4004 (HONDA)	6
PUMP ASSEMBLY (3-0075)	8
UNLOADER ASSEMBLY (8-0634)	10

SPECIFICATIONS

Operating Pressure (PSI/Bar):	4000/275.8	
High Pressure Nozzle:	4.0	3.5
Water Volume (GPM/lpm):	4.0/15.1	3.5/13.2
Engine:	Vanguard	Honda
Model	3054	GX-390
Engine Type	Four Stroke, Overhead Valve, Single Cylinder	
Oil Type	Above 40°F=SAE 30/Below 40°F=SAE10W-30	
Oil Capacity (oz./liter)	56/1.7	37.2/1.1
Low Oil Protection	Oil Guard™	Oil Alert™
Fuel Type	Unleaded Gasoline 86 Octane Minimum	
Fuel Capacity (gal./liter)	2.25/8.5	1.61/6.1
Starting	Recoil Rope	
Maximum No Load RPM	3600 (+/- 100)	
Pump:	Direct Driven, Oil Bath, Triplex Piston	
Oil Type	Pump Oil #AW-4085-0016	
Oil Capacity (oz./liters)	40.6/1.2	
Plungers	Ceramic Coated	
Manifold	Forged Brass	
Valves	Stainless Steel	
Unloader	Preset	
Heat Dump Valve	Relieves heated water during unloader bypass stage	
Detergent Injector	Adjustable low pressure down stream from pump	
Unit Net Weight (lbs/Kg)	249/113	215.5/97.5
Unit Shipping Weight (lbs/Kg)	327/148	291/132
Unit Net Dimension (in/cm)	46Lx28Wx30H/ 117Lx71Wx76H	46L X 28W X 30H/ 117L X 71W X 76H
Unit Shipping Dimension (in/cm)	49Lx30.5Wx35.5H/ 124Lx77.5Wx90H	48.5L X 30.5W X 35.5H/ 123.6L X 77.5W X 90H

FRAME ASSEMBLY FOR 4004 (VANGUARD)

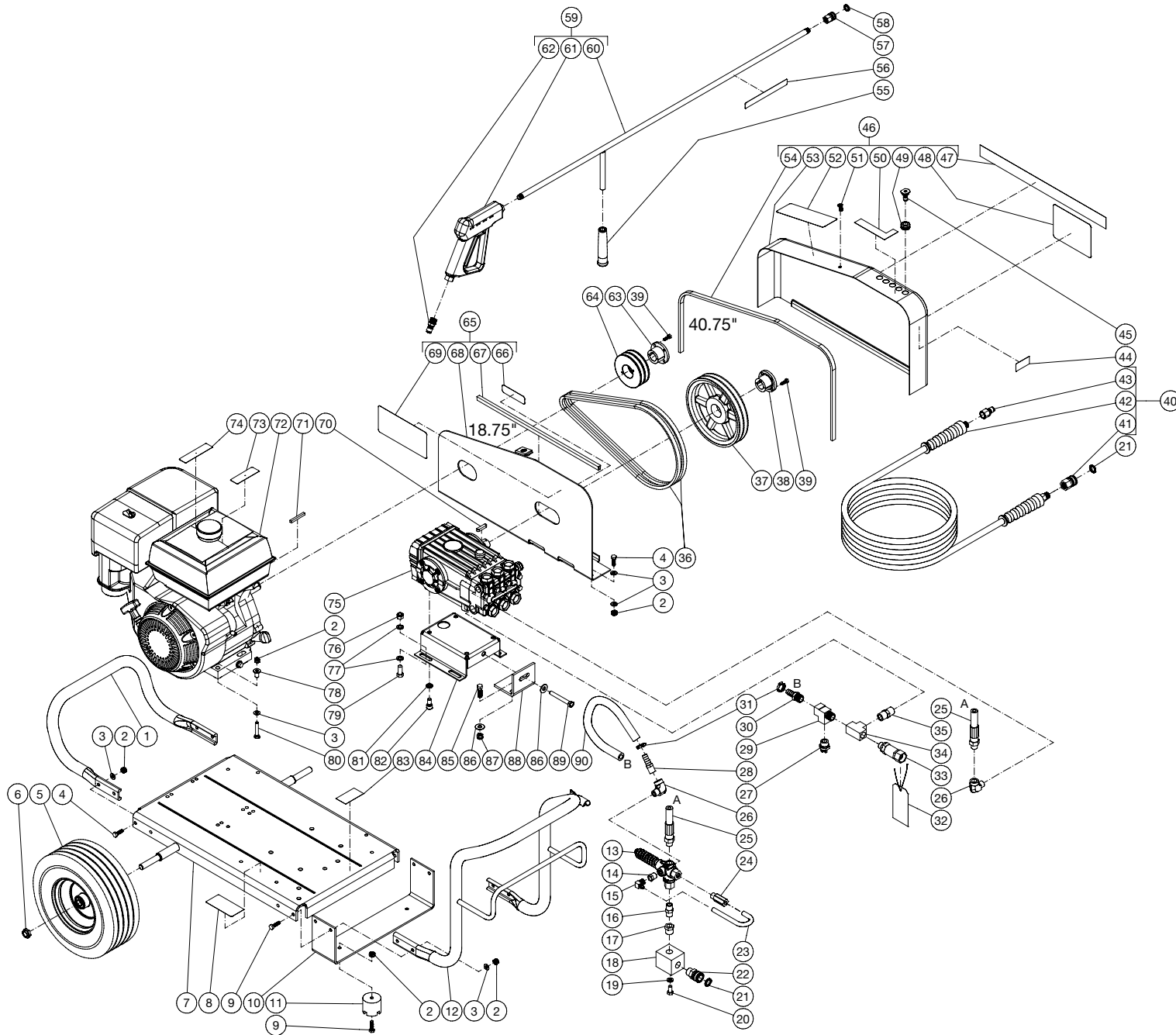


DC-4004-W5V6G 121319 TJM

FRAME ASSEMBLY							
ITEM	DESCRIPTION	PART #	QTY	ITEM	DESCRIPTION	PART #	QTY
1	REAR TUBING HANDLE 1 1/4" 14GA	7-0176A01	1	51	NOZZLE	18-0397	1
2	LOCKNUT	30-0157	20	-	NOZZLE	18-0399	1
3	WASHER	28-0003	28	-	NOZZLE	18-0400	1
4	BOLT	27-0067	8	-	NOZZLE	18-0401	1
5	BASEPLATE	5-0078A01	1	52	O-RING	25-0122	1
6	DECAL- SILVER STICKER	N/A	1	53	QUICK CONNECT	17-0001	1
7	WHEEL	14-0150	2	54	DECAL - RISK OF INJECTION (SEE 71-1039)	N/A	1
8	LOCKNUT	30-0117	2	55	BELTGUARD COVER ASSY-MEDIUM (INC 55-63)	851-0218	1
9	LOCKNUT	30-0155	2	56	DECAL - STRIPE SEE DX OPTION	N/A	1
10	WASHER	28-0002	4	57	DECAL - LOGO SEE DX OPTION	N/A	1
11	CABLE	32-9111	1	58	GROMMET	33-0001	5
12	CABLE	32-9112	1	59	DECAL - NOZZLE (SEE 71-1039)	N/A	1
13	BATTERY	N/A	1	60	FASTENER	33-0197	1
14	BATTERY BOX	33-0092	1	61	DECAL - OPERATION (SEE 71-1039)	N/A	1
15	DECAL - RISK OF INJURY (SEE 71-1039)	N/A	1	62	BELTGUARD COVER	N/A	1
16	BATTERY RETAINER	20-0264A01	1	63	EDGING *(FOUR FEET REQUIRED)	33-0020	1
17	BOLT	27-0015	6	64	GUN, BLACK WAND GRIP W/QC (INC 64-66)	851-0371	1
18	BOLT	27-0068	6	65	WAND (INC GRIP & QC)	16-0439	1
19	UNDERBRACKET	13-0137A01	1	66	GUN	16-0001	1
20	ISOLATOR	14-0008	2	67	QUICK CONNECT	17-0005	1
21	BOLT	27-0066	2	68	BUSHING	9-0005	1
22	HANDLE	7-0174A01	1	69	SHEAVE	10-0064	1
23	HOSE	15-0141	1	70	GRIP	7-0002	1
24	MANIFOLD BLOCK	51-0012	1	71	BELTGUARD BACK ASSEMBLY-MEDIUM (INC 72-75)	851-0215	1
25	LOCKWASHER	29-0008	2	72	DECAL - BELTGUARD IN PLACE (SEE 71-1039)	N/A	1
26	BOLT	27-0116	2	73	EDGING *(TWO FEET REQUIRED)	33-0020	1
27	QUICK CONNECT SOCKET	17-0029	1	74	BELTGUARD BACK	N/A	1
28	O-RING	25-0123	2	75	DECAL - WARNING (SEE 71-1039)	N/A	1
29	TAG - WATER SUPPLY INLET (E)	N/A	1	76	KEY	43-0048	1
30	FILTER	19-0206	1	77	KEY	43-0078	1
31	TEE	23-0043	1	78	DECAL - RISK OF FIRE (SEE 71-1039)	N/A	1
32	NIPPLE	23-0012	1	79	VANGUARD ENGINE ASSY	851-0099	1
33	ELBOW	24-0105	2	80	DECAL - RISK OF BURNS (SEE 71-1039)	N/A	1
34	NIPPLE	24-0010	1	81	PUMP	3-0075	1
35	UNLOADER	8-0634	1	82	LOCKNUT	30-0161	4
36	ELBOW	24-0092	1	83	WASHER	28-0030	8
37	HOSE BARB	23-0105	1	84	BOLT	27-0166	4
38	HOSE CLAMP	42-0011	2	85	BOLT	27-0071	4
39	HOSE	15-0022	1	86	DECAL- MOBILE PRO	34-3582	1
40	EASY START VALVE	22-0242	1	87	LOCKWASHER	29-0055	4
41	HOSE	15-0140	1	88	BOLT	27-8471	4
42	RELIEF VALVE	22-0005	1	89	PUMP BRACKET	5-0101A01	1
43	BELT	11-0089	2	90	BOLT	27-0118	2
44	SHEAVE	10-0040	1	91	WASHER	28-0023	3
45	BUSHING	9-0017	1	92	LOCKNUT	30-0159	2
46	ASSY HOSE W/QC 4500 PSI (INC 47-49)	851-0006	1	93	BRACKET	13-0003A01	1
47	QC SOCKET	17-0004	1	94	BOLT	27-0576	1
48	HOSE	15-0004	1	95	REDUCER	23-0017	1
49	QUICK CONNECT	17-0006	1	96	ELBOW	23-0237	1
50	DECAL - MADE IN USA	34-3553	1	97	BARB	23-0045	1
				-	DECAL SET	71-1039	1

*MUST ORDER IN ONE FOOT LENGTHS

FRAME ASSEMBLY FOR 4004 (HONDA)

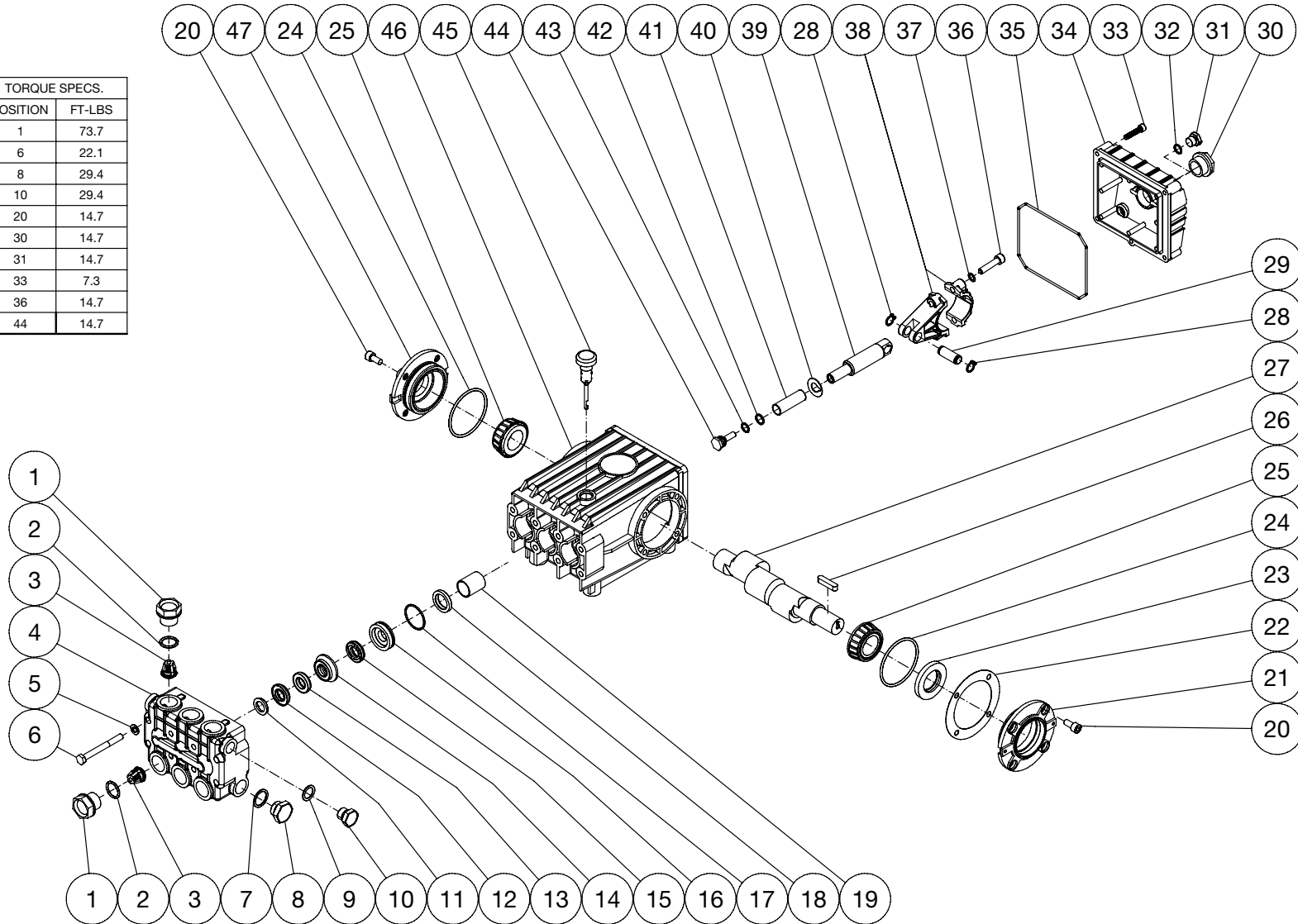


DC-4004-W5H6G 040519 TJM

FRAME ASSEMBLY							
ITEM	DESCRIPTION	PART #	QTY	ITEM	DESCRIPTION	PART #	QTY
1	HANDLE	7-0175A01	1	46	BELTGUARD COVER ASSY-MEDIUM	851-0218	1
2	LOCKNUT	30-0157	18	47	DECAL - STRIPE	N/A	1
3	WASHER	28-0003	20	48	DECAL - LOGO	N/A	1
4	BOLT	27-0067	8	49	GROMMET	33-0001	5
5	WHEEL	14-0150	2	50	DECAL - NOZZLE (SEE 71-1039)	34-0500	1
6	LOCKNUT	30-0117	2	51	FASTENER	33-0197	1
7	BASEPLATE	5-0078A01	1	52	DECAL - OPERATION (SEE 71-1039)	N/A	1
8	DECAL- SILVER STICKER	N/A	1	53	BELTGUARD COVER	N/A	1
9	BOLT	27-0068	6	54	EDGING *(FOUR FEET REQUIRED)	33-0020	1
10	UNDERBRACKET	13-0137A01	1	55	GRIP	7-0002	1
11	ISOLATOR	14-0008	2	56	DECAL - RISK OF INJECTION (SEE 71-1039)	N/A	1
12	HANDLE	7-0174A01	1	57	QUICK CONNECT	17-0001	1
13	UNLOADER	8-0634	1	58	O-RING	25-0122	1
14	REDUCER	23-0017	1	59	GUN, BLACK WAND GRIP W/ QC	851-0371	1
15	ELBOW	23-0237	1	60	WAND (INC GRIP & QC)	16-0439	1
16	NIPPLE	24-0010	1	61	GUN	16-0001	1
17	REDUCER	24-0282	1	62	QUICK CONNECT	17-0005	1
18	MANIFOLD BLOCK	51-0012	1	63	BUSHING	9-0005	1
19	LOCKWASHER	29-0008	2	64	SHEAVE	10-0067	1
20	BOLT	27-0116	2	65	BELTGUARD BACK ASSEMBLY-MEDIUM	851-0215	1
21	O-RING	25-0123	2	66	DECAL - BELTGUARD IN PLACE (SEE 71-1039)	N/A	1
22	QUICK CONNECT SOCKET	17-0029	1	67	EDGING *(TWO FEET REQUIRED)	33-0020	1
23	HOSE	15-0140	1	68	BELTGUARD BACK	N/A	1
24	EASY START VALVE	22-0242	1	69	DECAL - WARNING (SEE 71-1039)	N/A	1
25	HIGH PRESSURE HOSE	15-0194	1	70	KEY	43-0048	1
26	ELBOW	24-0105	2	71	KEY	43-0078	1
27	RELIEF VALVE	22-0005	1	72	ENGINE - HONDA	1-0086	1
28	HOSE BARB	23-0105	1	73	DECAL - RISK OF FIRE (SEE 71-1039)	N/A	1
29	TEE	23-0124	1	74	DECAL - RISK OF BURNS (SEE 71-1039)	N/A	1
30	BARB	23-0045	1	75	PUMP	3-0075	1
31	HOSE CLAMP	42-0011	2	76	LOCKNUT	30-0161	4
32	TAG - WATER SUPPLY INLET (E)	N/A	1	77	WASHER	28-0030	8
33	FILTER	19-0206	1	78	SHIM	33-0169	4
34	TEE	23-0043	1	79	BOLT	27-0166	4
35	NIPPLE	23-0012	1	80	BOLT	27-0070	4
36	BELT	11-0005	2	81	LOCKWASHER	29-0055	4
37	SHEAVE	10-0007	1	82	BOLT	27-8471	4
38	BUSHING	9-0017	1	83	DECAL	N/A	1
39	BOLT	27-0015	4	84	PUMP BRACKET	5-0101A01	1
40	ASSY HOSE W/QC 4000 PSI	851-0006	1	85	BOLT	27-0118	2
41	QC SOCKET	17-0004	1	86	WASHER	28-0023	3
42	HOSE	15-0004	1	87	LOCKNUT	30-0159	2
43	QUICK CONNECT	17-0006	1	88	BRACKET	13-0003A01	1
44	DECAL - MADE IN USA	34-3553	1	89	BOLT	27-0576	1
45	NOZZLE	18-0392	1	90	HOSE	15-0022	1
-	NOZZLE	18-0393	1	-	DECAL SET	71-1039	1
-	NOZZLE	18-0395	1	*MUST ORDER IN ONE FOOT LENGTHS			
-	NOZZLE	18-0396	1				

PUMP ASSEMBLY (3-0075)

TORQUE SPECS.	
POSITION	FT-LBS
1	73.7
6	22.1
8	29.4
10	29.4
20	14.7
30	14.7
31	14.7
33	7.3
36	14.7
44	14.7



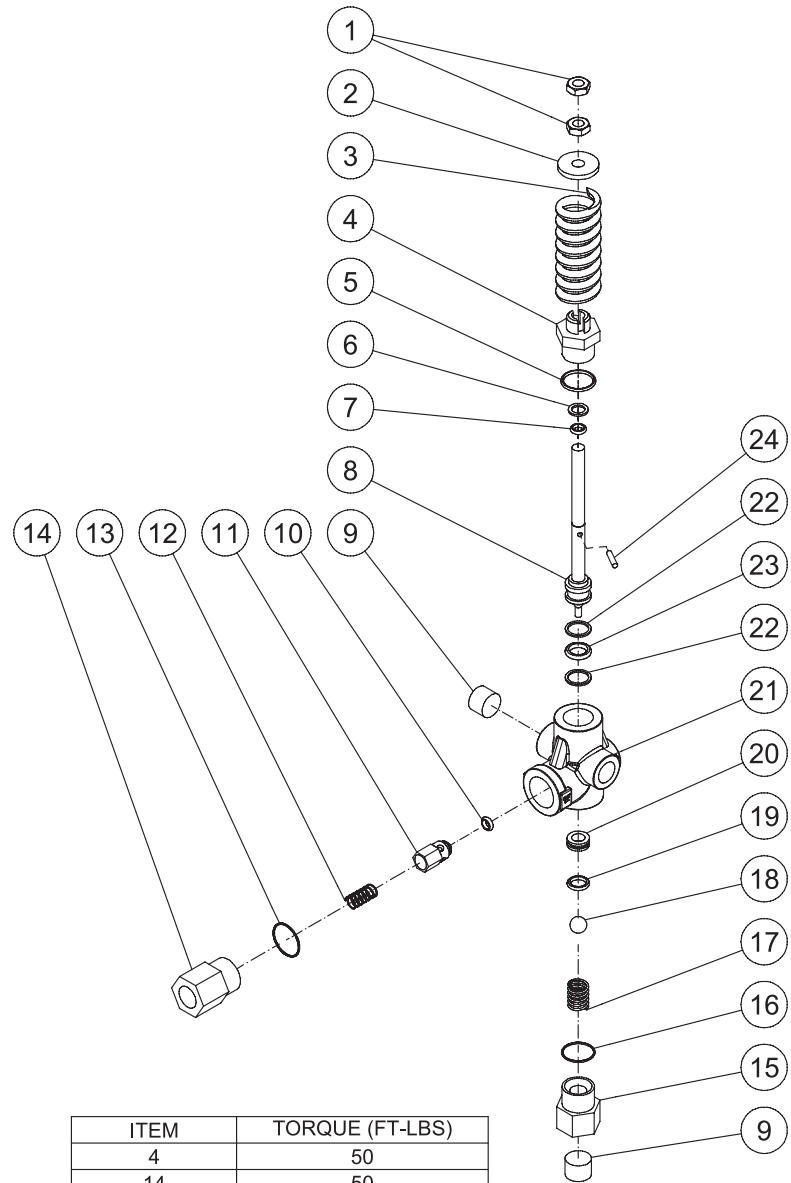
3-0075 110620

PUMP ASSEMBLY

ITEM	DESCRIPTION	PART #	QTY	ITEM	DESCRIPTION	PART #	QTY
1	CAP VALVE (SEE KIT 70-0745)	SEE KIT	6	25	BEARING	48-0012	2
2	O-RING	25-0012	6	26	KEY	43-0048	1
3	VALVE (SEE KIT 70-0009)	SEE KIT	6	27	CRANKSHAFT	46-0050	1
4	MANIFOLD	46-0291	1	28	RETAINING RING	46-0103	6
5	WASHER	28-1039	8	29	CONNECTING ROD PIN	43-0032	3
6	BOLT	27-8185	8	30	OIL LEVEL INDICATOR	46-0114	1
7	WASHER	28-1038	2	31	PLUG	39-0017	1
8	PLUG	39-0019	2	32	O-RING	25-0014	1
9	WASHER	28-1002	2	33	BOLT	27-8404	5
10	PLUG	39-0018	2	34	CRANKCASE OPEN COVER	46-0295	1
11	HEAD RING (SEE KIT 70-0031 & 852-0064)	SEE KIT	3	35	O-RING	25-0339	1
12	PACKING (SEE KIT 70-0042 & 852-0064)	46-0338	3	36	BOLT	27-8435	6
13	LONG LIFE RING (SEE KIT 70-0042 & 852-0064)	46-0290	3	37	LOCKWASHER	29-0154	6
14	INTERMEDIATE RING (SEE KIT 70-0210)	46-0289	3	38	CONNECTING ROD	46-0051	3
15	V-PACKING (SEE KIT 70-0072 & 852-0064)	46-0287	3	39	PISTON GUIDE	46-0294	3
16	PACKING RETAINER	46-0286	3	40	SLINGER WASHER	46-0283	3
17	O-RING (SEE KIT 852-0064)	25-0015	3	41	CERAMIC PLUNGER	46-0337	3
18	OIL SEAL	26-0047	3	42	RING	25-0137	3
19	BUSHING	9-0029	3	43	O-RING	25-0138	2
20	BOLT	27-8431	8	44	PISTON SCREW	46-0285	3
21	CRANKCASE COVER	46-0296	1	45	OIL DIP STICK	46-0144	1
22	SHIM	46-0113	1	46	CRANKCASE	46-0047	1
23	OIL SEAL	26-0049	1	47	CRANKCASE COVER	46-0336	1
24	O-RING	25-0013	2				

Mi-T-M KIT #	DESCRIPTION	ITEMS	# OF ASSEMBLIES	# OF CYLINDERS
70-0009	KITS -VALVES	3	6	3
70-0745	KIT - CAP VALVE	1	6	3
70-0031	KITS -HEAD RING	11	3	3
70-0042	KITS - V-PACKING	12, 13, 15	3	3
70-0210	KITS -INTERMEDIATE RETAINER	14	3	3
852-0064	V-PACKING ASSY	11, 12, 13, 15, 17	3	3

UNLOADER ASSEMBLY (8-0634)



8-0634 052213 JDK			
UNLOADER ASSEMBLY			
ITEM	DESCRIPTION	PART #	QTY
1	NUT	8-0293	2
2	SPRING SPACER	46-1527	1
3	SPRING	49-0171	1
4	FITTING	46-1529	1
5	O-RING (SEE KIT 70-0625)	SEE KIT	1
6	O-RING (SEE KIT 70-0625)	SEE KIT	1
7	O-RING (SEE KIT 70-0625)	SEE KIT	1
8	STEM	46-1530	1
9	PLUG	23-0244	2
10	O-RING (SEE KIT 70-0624)	SEE KIT	1
11	POPPET (SEE KIT 70-0624)	SEE KIT	1
12	SPRING (SEE KIT 70-0624)	SEE KIT	1
13	O-RING	25-0672	1
14	OUTLET FITTING	46-1531	1
15	INLET FITTING (SEE KIT 70-0625)	SEE KIT	1
16	O-RING (SEE KIT 70-0625)	SEE KIT	1
17	SPRING	49-0172	1
18	BALL (SEE KIT 70-0625)	SEE KIT	1
19	O-RING (SEE KIT 70-0625)	SEE KIT	1
20	SEAT	46-1532	1
21	FORGING	46-1533	1
22	BACKUP RING (SEE KIT 70-0625)	SEE KIT	2
23	O-RING (SEE KIT 70-0625)	SEE KIT	1
24	PIN (SEE KIT 70-0625)	SEE KIT	1

REPLACEMENT KITS			
KIT #	DESCRIPTION	ITEMS	QTY
70-0624	KIT - CHECK VALVE	10-12	1, 1, 1
70-0625	KIT - UNLOADER REBUILD	5-7, 15-16, 18-19, 22-24	1, 1, 1, 1, 1, 1, 1, 2, 1, 1

