

PARTS LIST FOR
3008/5004/5005/6004/7004 SERIES
PORTABLE
GASOLINE DRIVEN/BELT DRIVE
COLD WATER PRESSURE WASHER

ENGINE OIL GRADE:	SAE10W-30
ENGINE OIL CAPACITY:	
HONDA	57.6 oz.
MI-T-M	38.4 oz.
VANGUARD	48.0 oz.
PUMP OIL GRADE:	SAE30W Non-Detergent
PUMP OIL CAPACITY:	31 oz. / 32 oz. / 40.6 oz.
PRESSURE NOZZLE SIZE FOR:	3008 10.0
	5004 3.5
	5005 4.5
	6004 3.0
	7004 2.7

This Parts Listing has been compiled for your benefit. You can be assured your new Cold Water Pressure Washer was constructed and designed with quality and performance in mind using over 25 years experience in the pressure washer business. Each component has been rigorously tested to insure the highest level of acceptance.

The contents of this Parts Listing are based on the latest product information available at the time of publication. The manufacturer reserves the right to make changes in price, color, materials, equipment, specifications or models at any time without notice.

WARNING

THIS IS A PROFESSIONAL HIGH PRESSURE, COLD WATER PRESSURE WASHER. CAUTION SHOULD BE OBSERVED WHEN USING OR REPAIRING THIS UNIT! READ AND FOLLOW THE SAFETY WARNINGS LISTED BELOW BEFORE ATTEMPTING ANY REPAIRS ON THIS PRESSURE WASHER!

SAFETY WARNINGS

1. NEVER alter or modify the equipment. Be sure any accessory items and system components being used will withstand the pressure developed. Use only genuine manufactured parts for repair of your pressure washer. Failure to do so can cause hazardous operating conditions and will VOID warranty.
2. NEVER make adjustments on machinery while the unit is connected to the power source. Turning over the machinery by hand during adjustment or cleaning might start the machinery, causing serious injury to the operator.
3. Know how to stop and bleed pressures quickly. Be thoroughly familiar with controls.
4. Before servicing the unit, turn unit off, relieve the water pressure and allow the unit to cool down. Do not make repairs while the unit is running. Service in a clean, dry, flat area.
5. After testing the machine, DO NOT leave the pressurized unit unattended. Shut off the unit and release trapped pressure before leaving.

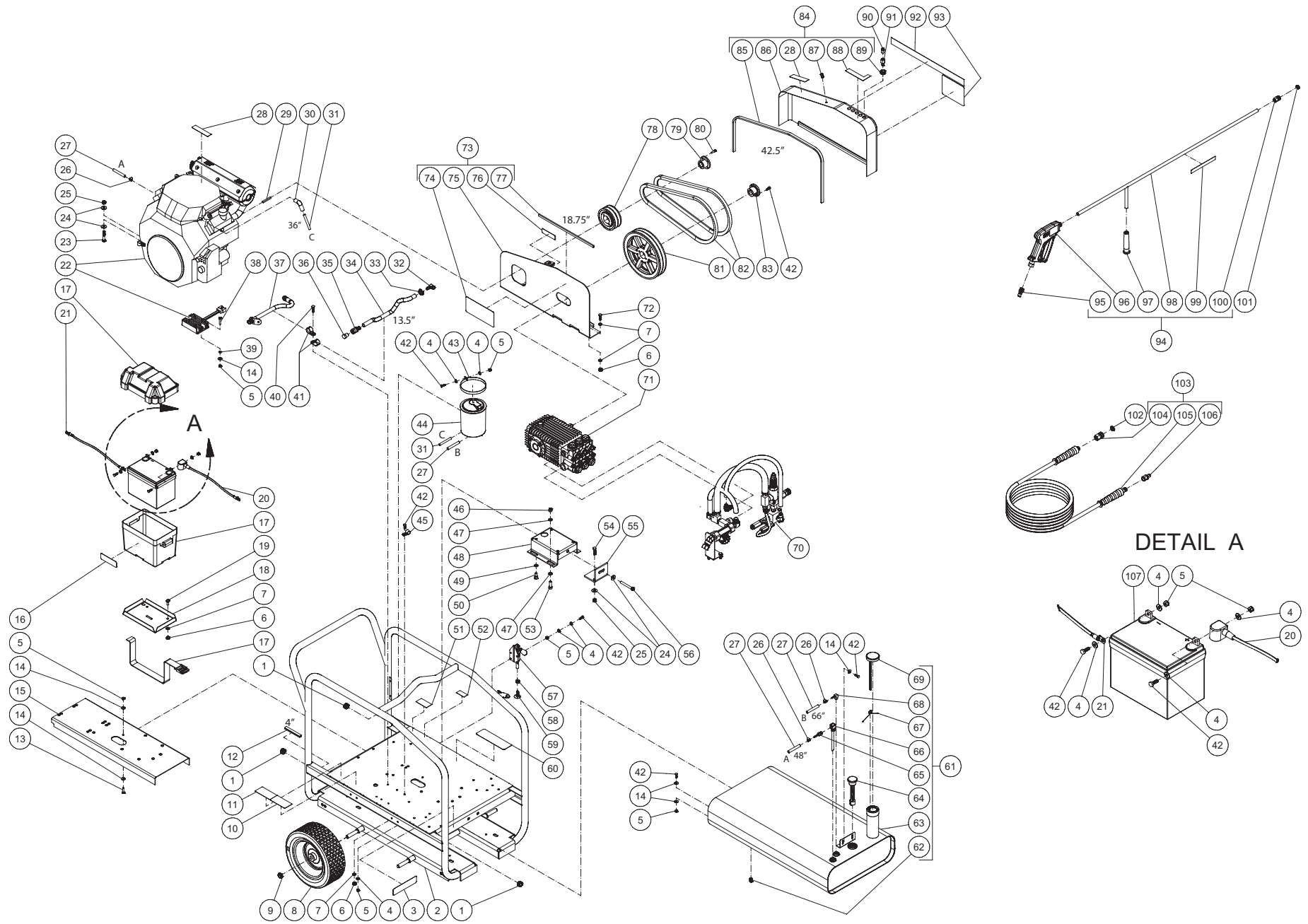
Table of Contents

SPECIFICATIONS.....	3
FRAME ASSEMBLY FOR 3008.....	4
FRAME ASSEMBLY FOR 5004 (AR).....	6
FRAME ASSEMBLY FOR 5004 (GENERAL).....	8
FRAME ASSEMBLY FOR 5005.....	10
FRAME ASSEMBLY FOR 6004.....	12
FRAME ASSEMBLY FOR 7004.....	14
PLUMBING ASSEMBLY 3008.....	16
PLUMBING ASSEMBLY 5004_5005.....	18
PLUMBING ASSEMBLY 6004 AND 7004.....	20
PUMP ASSEMBLY (3-0213).....	22
PUMP ASSEMBLY (3-0261).....	24
PUMP ASSEMBLY (3-0262).....	26
PUMP ASSEMBLY (3-0279).....	28
PUMP ASSEMBLY (3-0430).....	30
UNLOADER ASSEMBLY (8-0032).....	32
UNLOADER ASSEMBLY (8-0373).....	34
UNLOADER ASSEMBLY (8-0522).....	36
UNLOADER ASSEMBLY (8-0636).....	38
GUN ASSEMBLY (16-0343).....	40
GUN ASSEMBLY (16-0447).....	42
HONDA ENGINE ASSEMBLY (851-0385).....	44
HONDA ENGINE ASSEMBLY (851-0418).....	46
VANGUARD ENGINE ASSEMBLY (851-0433).....	48
MITM ENGINE ASSEMBLY (851-0437).....	50

SPECIFICATIONS

MODEL NUMBER	3008		5004			5005		6004	7004
Operating Pressure (PSI/Bar):	3000/210.9		5000/344.7			5000/344.7		6000/413.6	7000/482.6
High Pressure Nozzle:	10		3.5			4.5		3	2.7
Water Volume (GPM/lpm):	8.0/30.3		4.0/15.1			5.0/18.9		3.7/14	3.8/14.4
Engine:	Honda		Honda	Vanguard	Mi-T-M	Honda	Mi-T-M	Honda	Honda
Model	GX630		GX630	627 cc	670 cc	GX630	670 cc	GX630	GX690
Engine Type	4 Stroke, Overhead Valve, V-Twin								
Oil Type	SAE10W-30								
Oil Capacity (oz./liter)	57.6/1.7		57.6/1.7		48.0/1.42	38.4/1.14	57.6/1.7	38.4/1.14	57.6/1.7
Low Oil Protection	Oil Alert™		Oil Alert™		Oil Guard™	Oil Sensor	Oil Alert™	Oil Sensor	Oil Alert™
Fuel Type Unleaded Gasoline	Unleaded Gasoline 86 Octane Minimum								
Fuel Capacity (gal./liter)	13 / 49.2								
Starting	Electric Start								
Maximum No Load RPM	3600 (+/- 100) RPM								
Thermal Relief Valve	Relieves heated water during unloader bypass stage								
Pump:	Belt Driven, Oil Bath, Triplex Piston								
Model	General	General	AR			General	General	General	General
Oil Type	SAE30W Non-Detergent								
Oil Capacity (oz./liters)	31.0/0.92		40.6/1.20		32.0/0.95		31.0/0.92		40.6/1.20
Plungers	Ceramic								
Manifold	Forged Brass								
Valves	Stainless Steel								
Unloader	Preset								
Unit Net Weight (lbs/Kg)	430/195	438/199	424/193	424/193	447/203	430/195	453/206	437/199	445/202
Unit Shipping Weight (lbs/Kg)	500/226	508/230	494/224	494/224	517/235	500/226	523/237	507/230	515/234
Unit Net Dimension (in/cm)	43.27Lx28.55Wx39.27H/109.91Lx72.52Wx99.75H								
Unit Shipping Dimension (in/cm)	46.5Lx31.5Wx48.5H/118Lx80Wx123H								

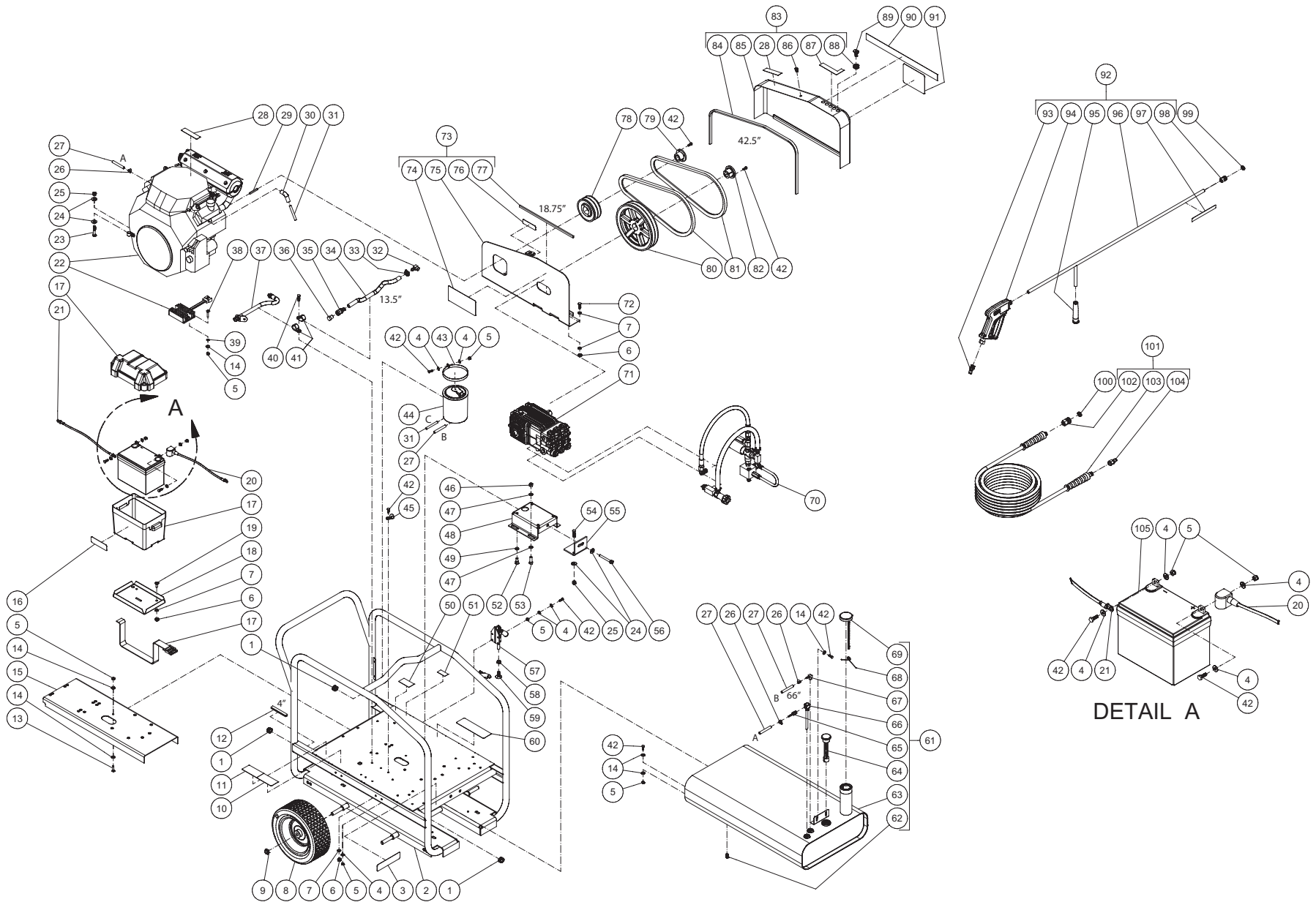
FRAME ASSEMBLY FOR 3008



3008-4MGH 120622

FRAME ASSEMBLY						
ITEM	TITLE	PART #	QTY	ITEM	TITLE	PART # QTY
1	GROMMET	33-0002	4	58	NUT	30-0004 1
2	FRAME	5-0136A18	1	59	BOLT	27-9550 1
3	DECAL - RISK OF BURNS (SEE 71-1028)	N/A	1	60	DECAL - OPERATION (SEE 71-1028)	N/A 1
4	WASHER	28-0002	13	61	GAS TANK ASSY - CWC/50 ST	851-0400 1
5	LOCKNUT	30-0155	12	62	PLUG	24-0009 1
6	LOCKNUT	30-0157	7	63	FUEL TANK	12-0248A09 1
7	WASHER	28-0003	11	64	FUEL GAUGE	12-0263 1
8	WHEEL	14-0150	4	65	BARB	23-0051 1
9	LOCKNUT	30-0117	4	66	FUEL PICK UP	33-0271 1
10	DECAL- MI-T-M EMISSIONS	N/A	1	67	FUEL CAP CATCH	12-0228 1
11	DECAL - SILVER STICKER	N/A	1	68	ELBOW	23-0054 1
12	EDGING *(ONE FOOT REQUIRED)	33-0020	1	69	FUEL CAP	12-0229 1
13	BOLT	27-0016	1	70	PLUMBING ASSEMBLY 3008	N/A 1
14	WASHER	28-0021	10	71	PUMP	3-0279 1
15	SUPPORT BRACKET	13-0120A18	1	72	BOLT	27-0067 4
16	DECAL - RISK OF INJURY (SEE 71-1028)	N/A	1	73	ASSEMBLY - BELTGUARD BACK	851-0310 1
17	BATTERY BOX	33-0092	1	74	DECAL - WARNING (SEE 71-1028)	N/A 1
18	BATTERY RETAINER	20-0264A18	1	75	BELTGUARD BACK	N/A 1
19	BOLT	27-0066	2	76	DECAL - BELTGUARD IN PLACE (SEE 71-1028)	N/A 1
20	CABLE	32-9112	1	77	EDGING *(TWO FEET REQUIRED)	33-0020 1
21	CABLE	32-9111	1	78	SHEAVE	10-0043 1
22	ENGINE ASSEMBLY	851-0385	1	79	BUSHING	9-0005 1
23	BOLT	27-0121	4	80	BOLT	27-0771 2
24	WASHER	28-0023	11	81	SHEAVE	10-0037 1
25	LOCKNUT	30-0159	6	82	BELT	11-0054 2
26	CLAMP WORM	42-0004	3	83	BUSHING	9-0017 1
27	FUEL HOSE *(TEN FEET REQUIRED)	15-0008	1	84	ASSEMBLY BELTGUARD COVER	851-0324 1
28	DECAL - RISK OF BURNS (SEE 71-1028)	N/A	2	85	EDGING *(FOUR FEET REQUIRED)	33-0020 1
29	KEY	43-0078	1	86	BELTGUARD COVER	N/A 1
30	AIR CLEANER ADAPTER	62-0229	1	87	FASTENER	33-0197 1
31	FUEL HOSE *(THREE FEET REQUIRED)	15-0261	1	88	DECAL - NOZZLE (SEE 71-1028)	N/A 1
32	ELBOW	23-0119	1	89	GROMMET	33-0001 5
33	HOSE CLAMP	42-0011	1	90	NOZZLE 0010	18-0050 1
34	HOSE *(TWO FEET REQUIRED)	15-0305	1	-	NOZZLE 1510	18-0058 1
35	HOSE BARB	23-0360	1	-	NOZZLE 2510	18-0119 1
36	PLUG	23-0411	1	-	NOZZLE 4010	18-0121 1
37	DRAIN HOSE	70-0555	1	91	QUICK CONNECT	17-0017 4
38	BOLT	27-0017	2	92	DECAL - MI-T-M STRIPE (CWC)	34-2584 1
39	LOCKWASHER	28-1028	2	-	DECAL - STRIPE SEE DX OPTION (DC)	N/A 1
40	BOLT	27-0068	1	93	DECAL - LOGO (CWC)	34-2169 1
41	CLIP	33-0291	2	-	DECAL - LOGO SEE DX OPTION (DC)	N/A 1
42	BOLT	27-0015	12	94	ASSEMBLY GUN W/S.S. LANCE 48"	851-0309 1
43	CARB CANISTER STRAP	20-1187A01	2	95	QUICK CONNECT	17-0005 1
44	CARB CANISTER	62-0212	1	96	GUN	16-0343 1
45	HOSE CLIP	33-0517	1	97	GRIP	7-0002 1
46	LOCKNUT	30-0161	4	98	WAND	16-0342A18 1
47	WASHER	28-0030	8	99	DECAL - RISK OF INJECTION (SEE 71-1028)	N/A 1
48	PUMP BRACKET	5-0101A18	1	100	QUICK CONNECT	17-0036 1
49	LOCKWASHER	29-0055	4	101	O-RING	25-0122 1
50	BOLT	27-8471	4	102	O-RING	25-0123 1
51	DECAL- MOBILE PRO (CWC)	34-3578	1	103	PRESSURE HOSE ASSEMBLY	851-0089 1
52	DECAL - MADE IN USA	34-3553	1	104	QC SOCKET	17-0041 1
53	BOLT	27-0167	4	105	HOSE	15-0056 1
54	BOLT	27-0118	2	106	QUICK CONNECT	17-0006 1
55	BRACKET	13-0003A18	1	107	BATTERY (CWC)	32-1077 1
56	BOLT	27-0576	1	-	DECAL SET	71-1028 1
57	PUSH/PULL TOGGLE CLAMP	33-0400	1	*MUST ORDER IN ONE FOOT LENGTHS		

FRAME ASSEMBLY FOR 5004 (AR)

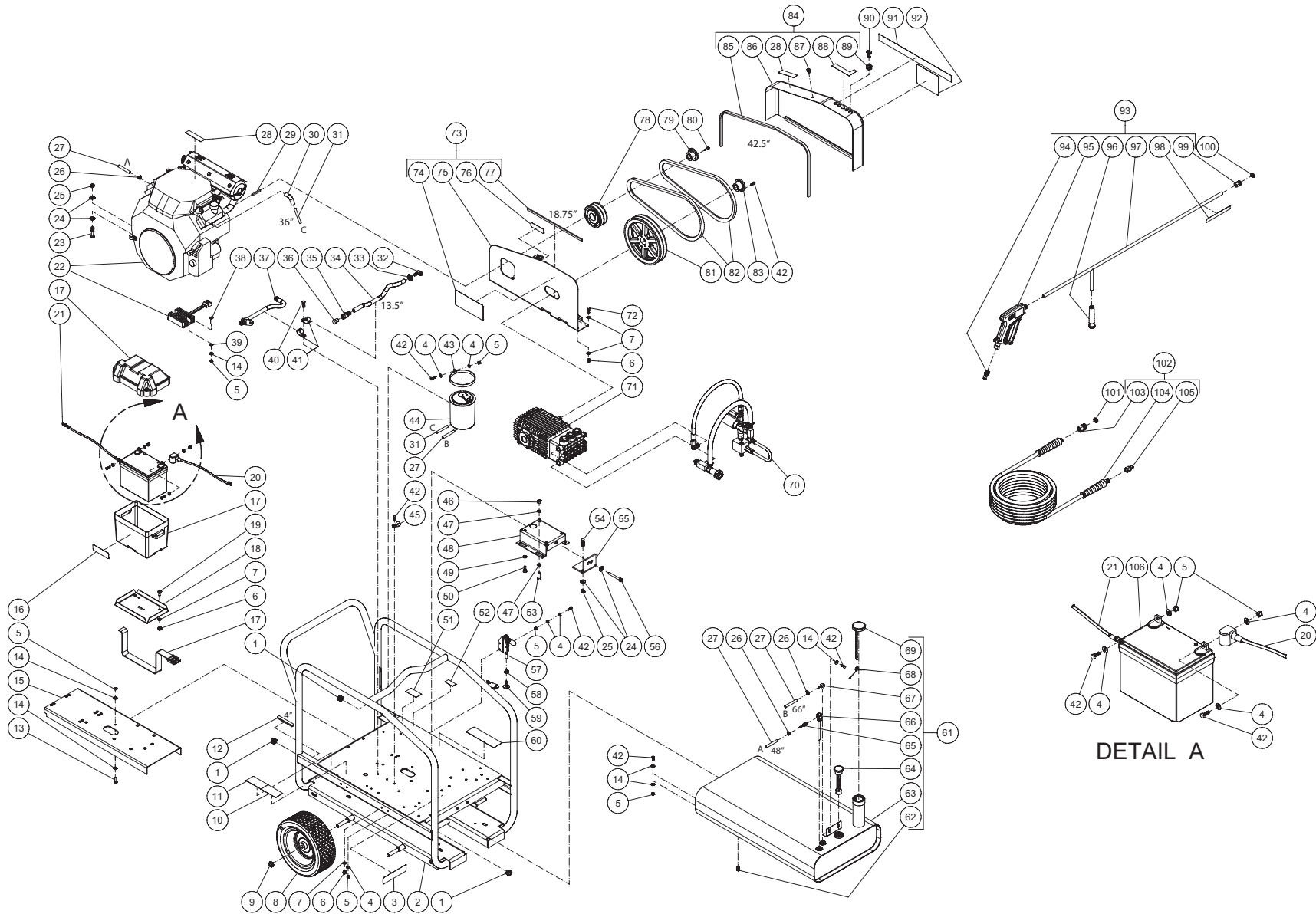


CWC-5004-4MAH_4MAM_120222.ADR

FRAME ASSEMBLY				CWC-5004-4MAH_4MAV_4MAM 120222ADR			
ITEM	TITLE	PART #	QTY	ITEM	TITLE	PART #	QTY
1	GROMMET	33-0002	4	48	PUMP BRACKET	5-0101A18	1
2	FRAME	5-0136A18	1	49	LOCKWASHER	29-0055	4
3	DECAL - RISK OF BURNS (SEE 71-1028)	N/A	1	50	DECAL - MOBILE PRO (CWC)	34-3578	1
4	WASHER	28-0002	13	51	DECAL - MADE IN USA	34-3553	1
5	LOCKNUT (HONDA/MITM)	30-0155	12	52	BOLT	27-8471	4
-	LOCKNUT (VANGUARD)	30-0155	9	53	BOLT	27-0167	4
6	LOCKNUT (HONDA/MITM)	30-0157	7	54	BOLT	27-0118	2
-	LOCKNUT (VANGUARD)	30-0157	11	55	BRACKET	13-0003A18	1
7	WASHER	28-0003	11	56	BOLT	27-0576	1
8	WHEEL	14-0150	4	57	PUSH/PULL TOGGLE CLAMP	33-0400	1
9	LOCKNUT	30-0117	4	58	NUT	30-0004	1
10	DECAL - MI-T-M EMISSIONS	N/A	1	59	BOLT	27-9550	1
11	DECAL - SILVER STICKER	N/A	1	60	DECAL - OPERATION (SEE 71-1028)	N/A	1
12	EDGING *(ONE FOOT REQUIRED)	33-0020	1	61	GAS TANK ASSY	851-0400	1
13	BOLT	27-0016	1	62	PLUG	24-0009	1
14	WASHER (HONDA)	28-0021	10	63	FUEL TANK	12-0248A09	1
-	WASHER (VANGUARD)	28-0021	8	64	FUEL GAUGE	12-0263	1
-	WASHER (MITM)	28-0021	11	65	BARB	23-0051	1
15	SUPPORT BRACKET	13-0120A18	1	66	FUEL PICK UP	33-0271	1
16	DECAL - RISK OF INJURY (SEE 71-1028)	N/A	1	67	ELBOW	23-0054	1
17	BATTERY BOX	33-0092	1	68	FUEL CAP CATCH	12-0228	1
18	BATTERY RETAINER	20-0264A18	1	69	FUEL CAP	12-0229	1
19	BOLT	27-0066	2	70	PLUMBING ASSEMBLY 5004_5005	N/A	1
20	CABLE	32-9112	1	71	PUMP	3-0213	1
21	CABLE	32-9111	1	72	BOLT	27-0067	4
22	ENGINE ASSEMBLY (HONDA)	851-0385	1	73	ASSEMBLY - BELTGUARD BACK	851-0310	1
-	ENGINE ASSEMBLY (VANGUARD)	851-0433	1	74	DECAL - WARNING (SEE 71-1028)	N/A	1
-	ENGINE ASSEMBLY (MITM)	851-0437	1	75	BELTGUARD BACK	N/A	1
23	BOLT (HONDA/MITM)	27-0121	4	76	DECAL - BELTGUARD IN PLACE (SEE 71-1028)	N/A	1
-	BOLT (VANGUARD)	27-0071	4	77	EDGING *(TWO FEET REQUIRED)	33-0020	1
24	WASHER(HONDA/MITM)	28-0023	11	78	SHEAVE	10-0118	1
-	WASHER (VANGUARD)	28-0023	7	79	BUSHING	9-0005	1
-	WASHER (VANGUARD)	28-0022	4	80	SHEAVE	10-0037	1
25	LOCKNUT (HONDA/MITM)	30-0159	6	81	BELT	11-0055	2
-	LOCKNUT (VANGUARD)	30-0159	2	82	BUSHING	9-0017	1
26	CLAMP WORM	42-0004	3	83	ASSEMBLY BELTGUARD COVER	851-0324	1
27	FUEL HOSE *(TEN FEET REQUIRED) (HONDA/MITM)	15-0008	1	84	EDGING *(FOUR FEET REQUIRED)	33-0020	1
-	FUEL HOSE *(NINE FEET REQUIRED)(VANGUARD)	15-0008	1	85	BELTGUARD COVER	N/A	1
28	DECAL - RISK OF BURNS (SEE 71-1028)	N/A	2	86	FASTENER	33-0197	1
29	KEY	43-0078	1	87	DECAL - NOZZLE (SEE 71-1028)	N/A	1
30	AIR CLEANER ADAPTER (HONDA)	62-0229	1	88	GROMMET	33-0001	5
-	HOSE BARB ADAPTER (MITM)	55-0680	1	89	NOZZLE	18-0392	1
-	HOSE BARB (VANGUARD)	N/A	1	-	NOZZLE	18-0393	1
31	FUEL HOSE *(THREE REQUIRED) (HONDA/MITM)	15-0261	1	-	NOZZLE	18-0395	1
-	FUEL HOSE *(THREE REQUIRED)(VANGUARD)	15-0261	1	-	NOZZLE	18-0396	1
32	ELBOW	23-0050	1	90	DECAL - MI-T-M STRIPE (SEE 71-1028) (CWC/GC)	N/A	1
33	HOSE CLAMP	42-0011	1	-	DECAL - STRIPE SEE DX OPTION (DC)	N/A	1
34	HOSE *(TWO FEET REQUIRED)	15-0305	1	91	DECAL - LOGO (CWC/GC)	N/A	1
35	HOSE BARB	23-0360	1	-	DECAL - LOGO SEE DX OPTION (DC)	N/A	1
36	PLUG	23-0411	1	92	ASSEMBLY GUN W/S.S. LANCE 48"	851-0309	1
37	DRAIN HOSE (HONDA)	70-0555	1	93	QUICK CONNECT	17-0005	1
-	DRAIN HOSE (MITM)	70-0358	1	94	GUN	16-0343	1
-	DRAIN HOSE - SEE 851-0433 (VANGUARD)	N/A	1	95	GRIP	7-0002	1
38	BOLT	27-0017	2	96	WAND	16-0342A18	1
39	LOCKWASHER (HONDA/MITM)	28-1028	2	97	DECAL - RISK OF INJECTION (SEE 71-1028)	N/A	1
40	BOLT	27-0068	1	98	QUICK CONNECT	17-0036	1
41	CLIP	33-0291	2	99	O-RING	25-0122	1
42	BOLT	27-0015	15	100	O-RING	25-0123	1
43	CARB CANISTER STRAP	20-1187A01	2	101	PRESSURE HOSE ASSEMBLY	851-0317	1
44	CARB CANISTER	62-0212	1	102	QC SOCKET	17-0041	1
45	HOSE CLIP (HONDA/VANGUARD)	33-0517	1	103	HOSE	15-0178	1
-	HOSE CLIP (MITM)	33-0517	2	104	QUICK CONNECT	17-0006	1
46	LOCKNUT	30-0161	4	105	BATTERY (CWC/GC)	32-1077	1
47	WASHER	28-0030	8	-	DECAL SET	71-1028	1

*MUST ORDER IN ONE FOOT LENGTHS

FRAME ASSEMBLY FOR 5004 (GENERAL)

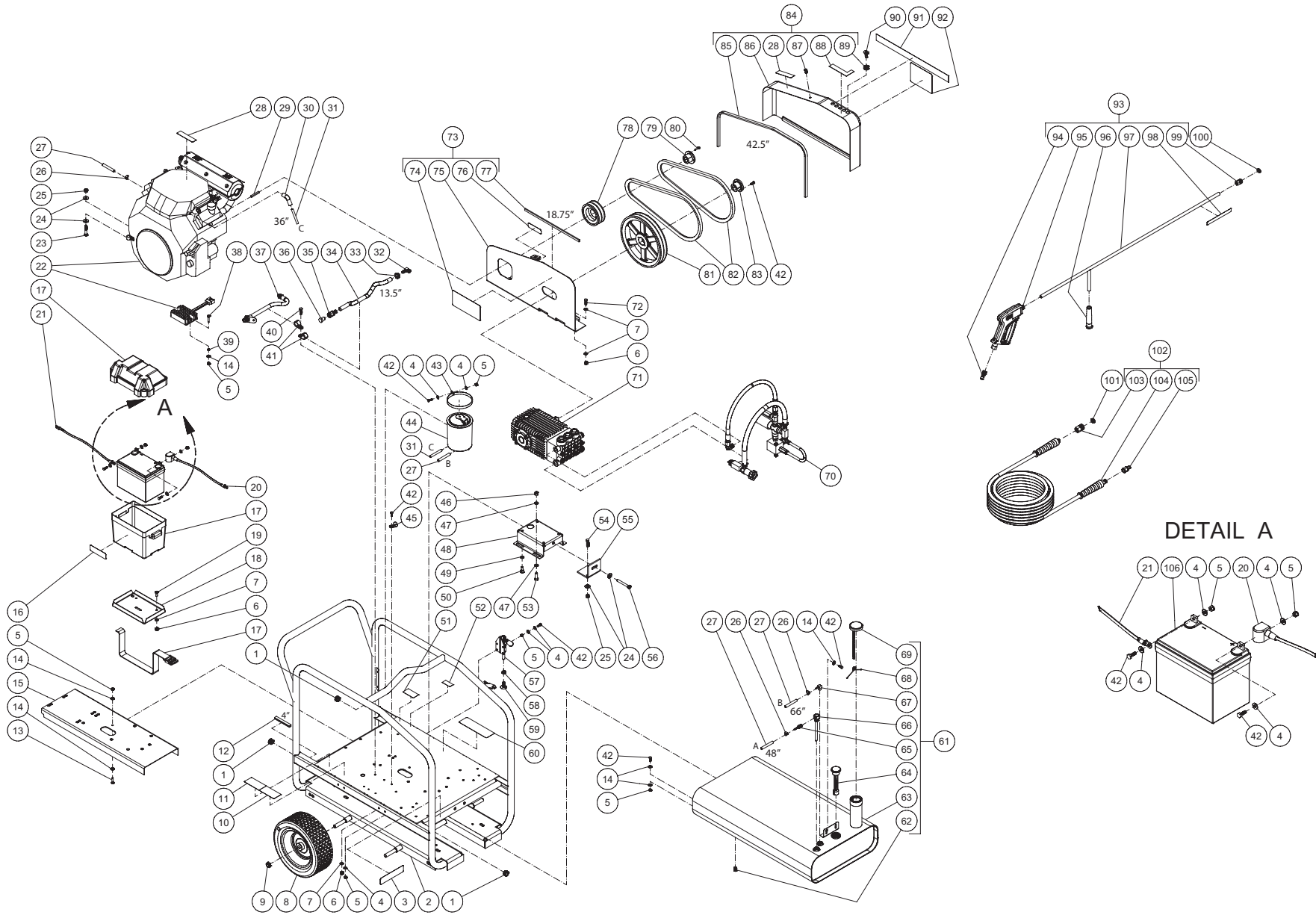


CWC-5004-4MGH 120622ADR

FRAME ASSEMBLY							
ITEM	TITLE	PART #	QTY	ITEM	TITLE	PART #	QTY
1	GROMMET	33-0002	4	57	PUSH/PULL TOGGLE CLAMP	33-0400	1
2	FRAME	5-0136A18	1	58	NUT	30-0004	1
3	DECAL - RISK OF BURNS (SEE 71-1028)	N/A	1	59	BOLT	27-9550	1
4	WASHER	28-0002	13	60	DECAL - OPERATION (SEE 71-1028)	N/A	1
5	LOCKNUT	30-0155	12	61	GAS TANK ASSY	851-0400	1
6	LOCKNUT	30-0157	7	62	PLUG	24-0009	1
7	WASHER	28-0003	11	63	FUEL TANK	12-0248A09	1
8	WHEEL	14-0150	4	64	FUEL GAUGE	12-0263	1
9	LOCKNUT	30-0117	4	65	BARB	23-0051	1
10	DECAL - MI-T-M EMISSIONS	N/A	1	66	FUEL PICK UP	33-0271	1
11	DECAL - SILVER STICKER	N/A	1	67	ELBOW	23-0054	1
12	EDGING *(ONE FOOT REQUIRED)	33-0020	1	68	FUEL CAP CATCH	12-0228	1
13	BOLT	27-0016	1	69	FUEL CAP	12-0229	1
14	WASHER	28-0021	10	70	PLUMBING ASSEMBLY 5004_5005	N/A	1
15	SUPPORT BRACKET	13-0120A18	1	71	PUMP	3-0261	1
16	DECAL - RISK OF INJURY (SEE 71-1028)	N/A	1	72	BOLT	27-0067	4
17	BATTERY BOX	33-0092	1	73	ASSEMBLY - BELTGUARD BACK	851-0310	1
18	BATTERY RETAINER	20-0264A18	1	74	DECAL - WARNING (SEE 71-1028)	N/A	1
19	BOLT	27-0066	2	75	BELTGUARD BACK	N/A	1
20	CABLE	32-9112	1	76	DECAL - BELTGUARD IN PLACE (SEE 71-1028)	N/A	1
21	CABLE	32-9111	1	77	EDGING *(TWO FEET REQUIRED)	33-0020	1
22	ENGINE ASSEMBLY	851-0385	1	78	SHEAVE	10-0043	1
23	BOLT	27-0121	4	79	BUSHING	9-0005	1
24	WASHER	28-0023	11	80	BOLT	27-0771	2
25	LOCKNUT	30-0159	6	81	SHEAVE	10-0037	1
26	CLAMP WORM	42-0004	3	82	BELT	11-0054	2
27	FUEL HOSE *(TEN FEET REQUIRED)	15-0008	1	83	BUSHING	9-0017	1
28	DECAL - RISK OF BURNS (SEE 71-1028)	N/A	2	84	ASSEMBLY BELTGUARD COVER	851-0324	1
29	KEY	43-0078	1	85	EDGING *(FOUR FEET REQUIRED)	33-0020	1
30	AIR CLEANER ADAPTER	62-0229	1	86	BELTGUARD COVER	N/A	1
31	FUEL HOSE *(THREE FEET REQUIRED)	15-0261	2	87	FASTENER	33-0197	1
32	ELBOW	23-0119	1	88	DECAL - NOZZLE (SEE 71-1028)	N/A	1
33	HOSE CLAMP	42-0011	1	89	GROMMET	33-0001	5
34	HOSE *(TWO FEET REQUIRED)	15-0305	1	90	NOZZLE	18-0392	1
35	HOSE BARB	23-0360	1	-	NOZZLE	18-0393	1
36	PLUG	23-0411	1	-	NOZZLE	18-0395	1
37	DRAIN HOSE	70-0555	1	-	NOZZLE	18-0396	1
38	BOLT	27-0017	2	91	DECAL - MI-T-M STRIPE (SEE 71-1028) (CWC)	N/A	1
39	LOCKWASHER	28-1028	2	-	DECAL - STRIPE SEE DX OPTION (DC)	N/A	1
40	BOLT	27-0068	1	92	DECAL - LOGO (CWC)	34-2169	1
41	CLIP	33-0291	2	-	DECAL - LOGO SEE DX OPTION (DC)	N/A	1
42	BOLT	27-0015	12	93	ASSEMBLY GUN W/S.S. LANCE 48"	851-0309	1
43	CARB CANISTER STRAP	20-1187A01	2	94	QUICK CONNECT	17-0005	1
44	CARB CANISTER	62-0212	1	95	GUN	16-0343	1
45	HOSE CLIP	33-0517	1	96	GRIP	7-0002	1
46	LOCKNUT	30-0161	4	97	WAND	16-0342A18	1
47	WASHER	28-0030	8	98	DECAL - RISK OF INJECTION (SEE 71-1028)	N/A	1
48	PUMP BRACKET	5-0101A18	1	99	QUICK CONNECT	17-0036	1
49	LOCKWASHER	29-0055	4	100	O-RING	25-0122	1
50	BOLT	27-8471	4	101	O-RING	25-0123	1
51	DECAL - MOBILE PRO (CWC)	34-3578	1	102	PRESSURE HOSE ASSEMBLY	851-0317	1
52	DECAL - MADE IN USA	34-3553	1	103	QC SOCKET	17-0041	1
53	BOLT	27-0167	4	104	HOSE	N/A	1
54	BOLT	27-0118	2	105	QUICK CONNECT	17-0006	1
55	BRACKET	13-0003A18	1	106	BATTERY (CWC)	32-1077	1
56	BOLT	27-0576	1	-	DECAL SET	71-1028	1

*MUST ORDER IN ONE FOOT LENGTHS

FRAME ASSEMBLY FOR 5005

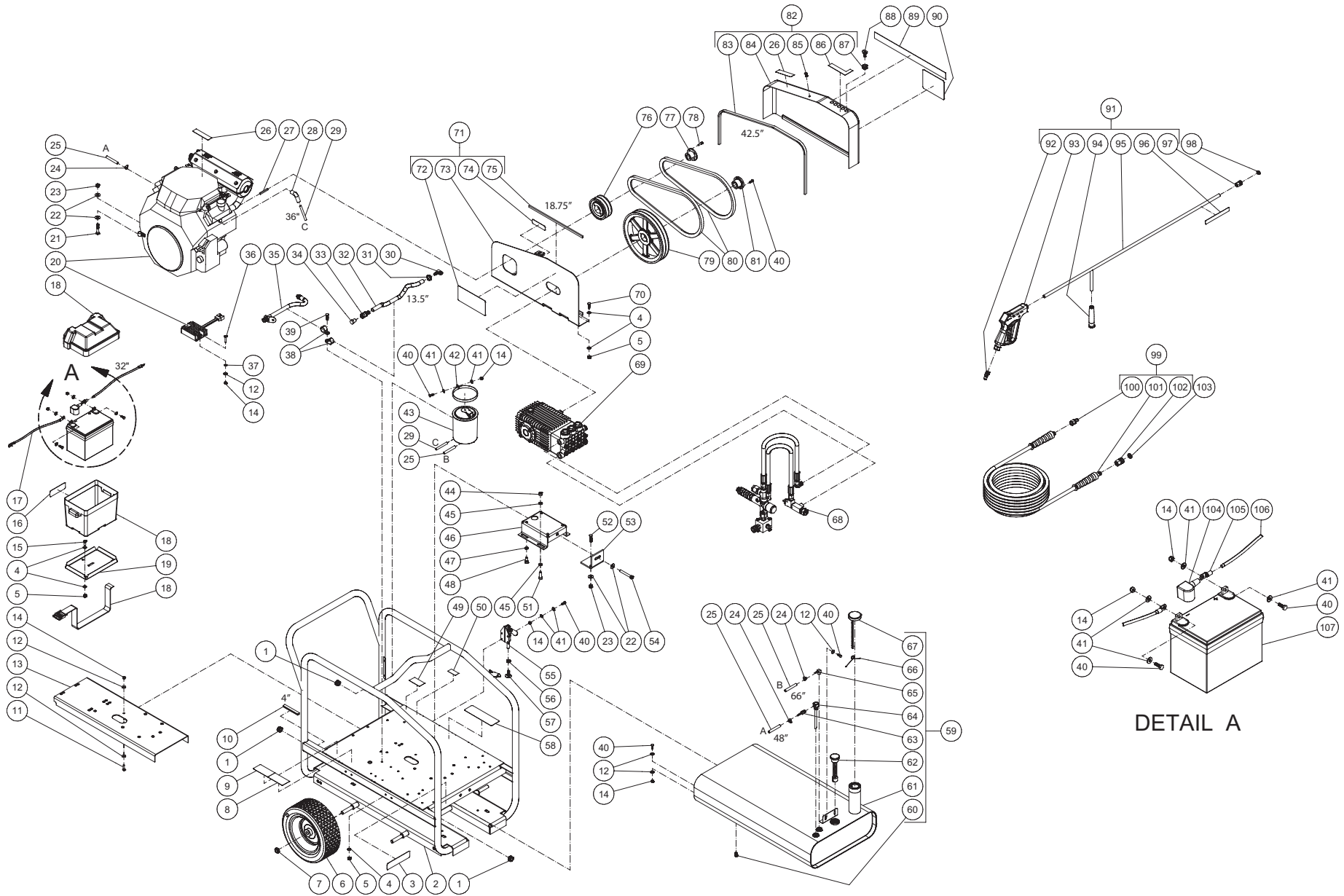


CWC-5005-4MGH_4MGM 120622ADR

FRAME ASSEMBLY							
ITEM	TITLE	PART #	QTY	ITEM	TITLE	PART #	QTY
1	GROMMET	33-0002	4	55	BRACKET	13-0003A18	1
2	FRAME	5-0136A18	1	56	BOLT	27-0576	1
3	DECAL - RISK OF BURNS (SEE 71-1028)	N/A	1	57	PUSH/PULL TOGGLE CLAMP	33-0400	1
4	WASHER	28-0002	13	58	NUT	30-0004	1
5	LOCKNUT	30-0155	12	59	BOLT	27-9550	1
6	LOCKNUT	30-0157	7	60	DECAL - OPERATION (SEE 71-1028)	N/A	1
7	WASHER	28-0003	11	61	GAS TANK ASSY - CWC/50 ST	851-0400	1
8	WHEEL	14-0150	4	62	PLUG	24-0009	1
9	LOCKNUT	30-0117	4	63	FUEL TANK	12-0248A09	1
10	DECAL - MI-T-M EMISSIONS	N/A	1	64	FUEL GAUGE	12-0263	1
11	DECAL - SILVER STICKER	N/A	1	65	BARB	23-0051	1
12	EDGING *(ONE FOOT REQUIRED)	33-0020	1	66	FUEL PICK UP	33-0271	1
13	BOLT	27-0016	1	67	ELBOW	23-0054	1
14	WASHER	28-0021	10	68	FUEL CAP CATCH	12-0228	1
15	SUPPORT BRACKET	13-0120A18	1	69	FUEL CAP	12-0229	1
16	DECAL - RISK OF INJURY (SEE 71-1028)	N/A	1	70	PLUMBING ASSEMBLY 5004_5005	N/A	1
17	BATTERY BOX	33-0092	1	71	PUMP ASSEMBLY	3-0262	1
18	BATTERY RETAINER	20-0264A18	1	72	BOLT	27-0067	4
19	BOLT	27-0066	2	73	ASSEMBLY - BELTGUARD BACK	851-0310	1
20	CABLE	32-9112	1	74	DECAL - WARNING (SEE 71-1028)	N/A	1
21	CABLE	32-9111	1	75	BELTGUARD BACK	N/A	1
22	ENGINE ASSEMBLY (HONDA)	851-0385	1	76	DECAL - BELTGUARD IN PLACE (SEE 71-1028)	N/A	1
-	ENGINE ASSEMBLY (MITM)	851-0437	1	77	EDGING *(TWO FEET REQUIRED)	33-0020	1
23	BOLT	27-0121	4	78	SHEAVE	10-0043	1
24	WASHER	28-0023	11	79	BUSHING	9-0005	1
25	LOCKNUT	30-0159	6	80	BOLT	27-0771	2
26	CLAMP WORM	42-0004	3	81	SHEAVE	10-0046	1
27	FUEL HOSE *(TEN FEET REQUIRED)	15-0008	1	82	BELT	11-0068	2
28	DECAL - RISK OF BURNS (SEE 71-1028)	N/A	2	83	BUSHING	9-0017	1
29	KEY	43-0078	1	84	ASSEMBLY BELTGUARD COVER	851-0324	1
30	AIR CLEANER ADAPTER (HONDA)	62-0229	1	85	EDGING *(FOUR FEET REQUIRED)	33-0020	1
-	HOSE BARB ADAPTER (MITM)	55-0680	1	86	BELTGUARD COVER	N/A	1
31	FUEL HOSE *(THREE FEET REQUIRED)	15-0261	1	87	FASTENER	33-0197	1
32	ELBOW	23-0119	1	88	DECAL - NOZZLE (SEE 71-1028)	N/A	1
33	HOSE CLAMP	42-0011	1	89	GROMMET	33-0001	5
34	HOSE *(TWO FEET REQUIRED)	15-0305	1	90	NOZZLE	18-0402	1
35	HOSE BARB	23-0360	1	-	NOZZLE	18-0403	1
36	PLUG	23-0411	1	-	NOZZLE	18-0404	1
37	DRAIN HOSE (HONDA)	70-0555	1	-	NOZZLE	18-0405	1
-	DRAIN HOSE (MITM)	70-0358	1	91	DECAL - MI-T-M STRIPE (SEE 71-1028) (CWC)	N/A	1
38	BOLT	27-0017	2	-	DECAL -STRIPE SEE DX OPTION (DC)	N/A	1
39	LOCKWASHER	28-1028	2	92	DECAL - LOGO (CWC)	N/A	1
40	BOLT	27-0068	1	-	DECAL - LOGO SEE DX OPTION (DC)	N/A	1
41	CLIP	33-0291	2	93	ASSEMBLY GUN W/S.S. LANCE 48"	851-0309	1
42	BOLT	27-0015	13	94	QUICK CONNECT	17-0005	1
43	CARB CANISTER STRAP	20-1187A01	2	95	GUN	16-0343	1
44	CARB CANISTER	62-0212	1	96	GRIP	7-0002	1
45	HOSE CLIP (HONDA)	33-0517	1	97	WAND	16-0342A18	1
-	HOSE CLIP (MITM)	33-0517	2	98	DECAL - RISK OF INJECTION (SEE 71-1028)	N/A	1
46	LOCKNUT	30-0161	4	99	QUICK CONNECT	17-0036	1
47	WASHER	28-0030	8	100	O-RING	25-0122	1
48	PUMP BRACKET	5-0101A18	1	101	O-RING	25-0123	1
49	LOCKWASHER	29-0055	4	102	HIGH PRESSURE HOSE ASSEMBLY	851-0317	1
50	BOLT	27-8471	4	103	QC SOCKET	17-0041	1
51	DECAL - MOBILE PRO (CWC)	34-3578	1	104	HOSE	15-0178	1
52	DECAL - MADE IN USA	34-3553	1	105	QUICK CONNECT	17-0006	1
53	BOLT	27-0167	4	106	BATTERY (CWC)	32-1077	1
54	BOLT	27-0118	2	-	DECAL SET - CWC SERIES - MITM	71-1028	1

*MUST ORDER IN ONE FOOT LENGTHS

FRAME ASSEMBLY FOR 6004

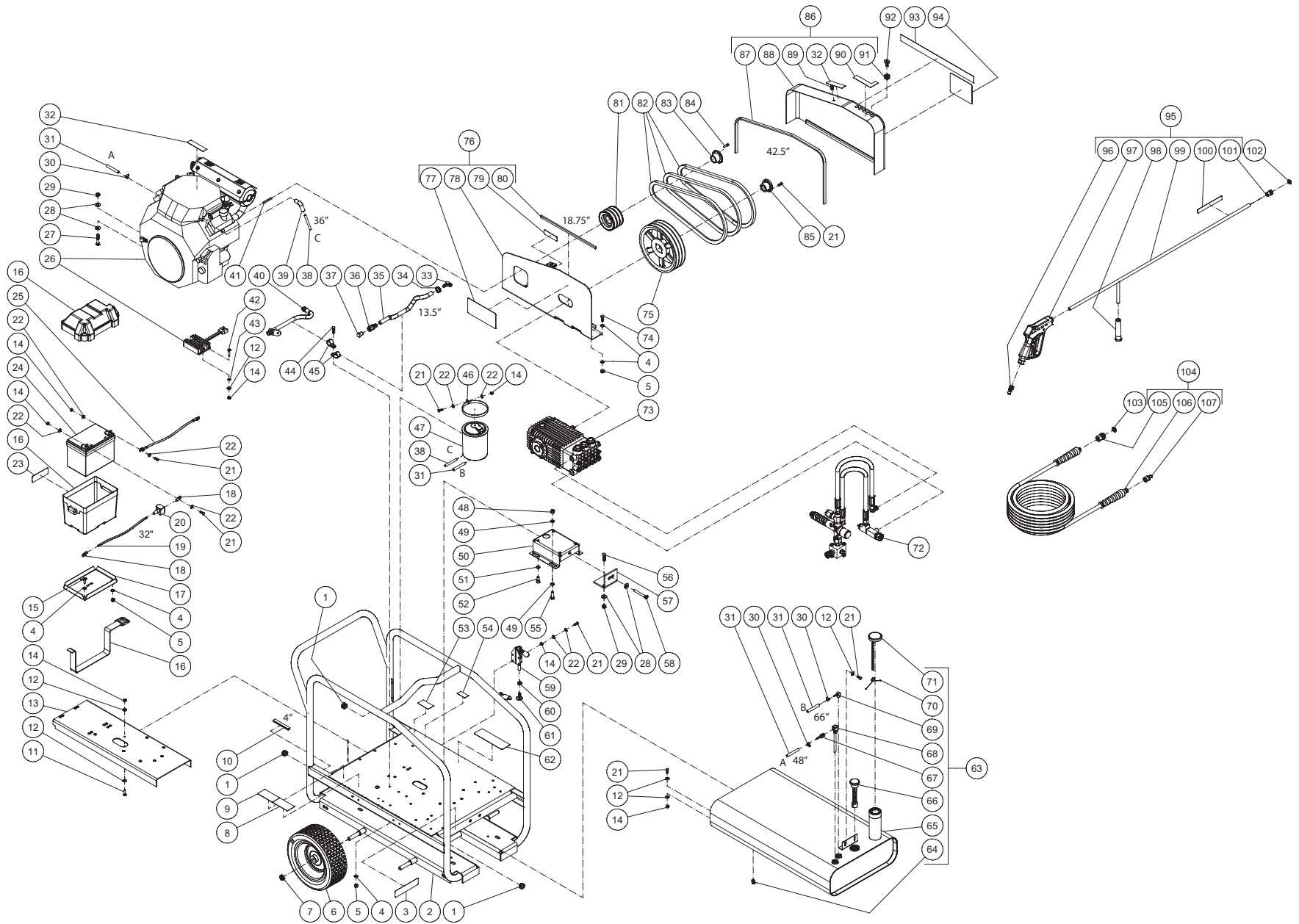


CWC-6004-4MGH 120622ADR

FRAME ASSEMBLY							
ITEM	TITLE	PART #	QTY	ITEM	TITLE	PART #	QTY
1	GROMMET	33-0002	4	58	DECAL - OPERATION (SEE 71-1028)	N/A	1
2	FRAME	5-0136A18	1	59	GAS TANK ASSY - CWC/50 ST	851-0400	1
3	DECAL - RISK OF BURNS (SEE 71-1028)	N/A	1	60	PLUG	24-0009	1
4	WASHER	28-0003	13	61	FUEL TANK	12-0248A09	1
5	LOCKNUT	30-0157	7	62	FUEL GAUGE	12-0263	1
6	WHEEL	14-0150	4	63	BARB	23-0051	1
7	LOCKNUT	30-0117	4	64	FUEL PICK UP	33-0271	1
8	DECAL - MI-T-M EMISSIONS	N/A	1	65	ELBOW	23-0054	1
9	DECAL - SILVER STICKER	N/A	1	66	FUEL CAP CATCH	12-0228	1
10	EDGING *(ONE FOOT REQUIRED)	33-0020	1	67	FUEL CAP	12-0229	1
11	BOLT	27-0016	1	68	PLUMBING ASSEMBLY	N/A	1
12	WASHER	28-0021	10	69	PUMP	3-0261	1
13	SUPPORT BRACKET	13-0120A18	1	70	BOLT	27-0067	4
14	LOCKNUT	30-0155	11	71	ASSEMBLY - BELTGUARD BACK	851-0310	1
15	BOLT	27-0066	2	72	DECAL - WARNING (SEE 71-1028)	N/A	1
16	DECAL - RISK OF INJURY (SEE 71-1028)	N/A	1	73	BELTGUARD BACK	N/A	1
17	CABLE	32-9111	1	74	DECAL - BELTGUARD IN PLACE (SEE 71-1028)	N/A	1
18	BATTERY BOX	33-0092	1	75	EDGING *(TWO FEET REQUIRED)	33-0020	1
19	BATTERY RETAINER	20-0264A18	1	76	SHEAVE	10-0043	1
20	ENGINE ASSEMBLY	851-0385	1	77	BUSHING	9-0005	1
21	BOLT	27-0121	4	78	BOLT	27-0771	2
22	WASHER	28-0023	11	79	SHEAVE	10-0046	1
23	LOCKNUT	30-0159	6	80	BELT	11-0068	2
24	CLAMP WORM	42-0004	3	81	BUSHING	9-0017	1
25	FUEL HOSE *(TEN FEET REQUIRED)	15-0008	1	82	ASSEMBLY - BELTGUARD COVER	851-0324	1
26	DECAL - RISK OF BURNS (SEE 71-1028)	N/A	2	83	EDGING *(FOUR FEET REQUIRED)	33-0020	1
27	KEY	43-0078	1	84	BELTGUARD COVER	N/A	1
28	AIR CLEANER ADAPTER	62-0229	1	85	FASTENER	33-0197	1
29	FUEL HOSE *(THREE FEET REQUIRED)	15-0261	1	86	DECAL - NOZZLE (SEE 71-1028)	N/A	1
30	ELBOW	23-0119	1	87	GROMMET	33-0001	5
31	HOSE CLAMP	42-0011	1	88	NOZZLE	18-0387	1
32	HOSE *(TWO FEET REQUIRED)	15-0305	1	-	NOZZLE	18-0388	1
33	HOSE BARB	23-0360	1	-	NOZZLE	18-0390	1
34	PLUG	23-0411	1	-	NOZZLE	18-0391	1
35	DRAIN HOSE	70-0555	1	89	DECAL - MI-T-M STRIPE (SEE 71-1028) (CWC/GC)	N/A	1
36	BOLT	27-0017	2	-	DECAL - STRIPE SEE DX OPTION (DC)	N/A	1
37	LOCKWASHER	28-1028	2	90	DECAL - LOGO (CWC/GC)	34-2169	1
38	CLIP	33-0291	2	-	DECAL - LOGO SEE DX OPTION (DC)	N/A	1
39	BOLT	27-0068	1	91	ASSEMBLY - GUN W/S.S. LANCE 48"	851-0361	1
40	BOLT	27-0015	12	92	QUICK CONNECT	17-0005	1
41	WASHER	28-0002	12	93	GUN	16-0447	1
42	CARB CANISTER STRAP	20-1187A01	2	94	GRIP	7-0002	1
43	CARB CANISTER	62-0212	1	95	WAND	16-0342A18	1
44	LOCKNUT	30-0161	4	96	DECAL - RISK OF INJECTION (SEE 71-1028)	N/A	1
45	WASHER	28-0030	8	97	QUICK CONNECT	17-0036	1
46	PUMP BRACKET	5-0101A18	1	98	O-RING	25-0122	1
47	LOCKWASHER	29-0055	4	99	HOSE ASSEMBLY	851-0317	1
48	BOLT	27-8471	4	100	QUICK CONNECT	17-0006	1
49	DECAL - MOBILE PRO (CWC)	34-3578	1	101	HOSE	15-0178	1
50	DECAL - MADE IN USA	34-3553	1	102	QC SOCKET	17-0041	1
51	BOLT	27-0167	4	103	O-RING	25-0123	1
52	BOLT	27-0118	2	104	BATTERY CABLE COVER	33-0004	1
53	BRACKET	13-0003A18	1	105	TERMINAL RING	32-0097	2
54	BOLT	27-0576	1	106	CABLE *(THREE FEET REQUIRED)	32-0065	1
55	PUSH/PULL TOGGLE CLAMP	33-0400	1	107	BATTERY (CWC/GC)	32-1077	1
56	NUT	30-0004	1	-	DECAL SET - CWC	71-1028	1
57	BOLT	27-9550	1				

*MUST ORDER IN ONE FOOT LENGTHS

FRAME ASSEMBLY FOR 7004

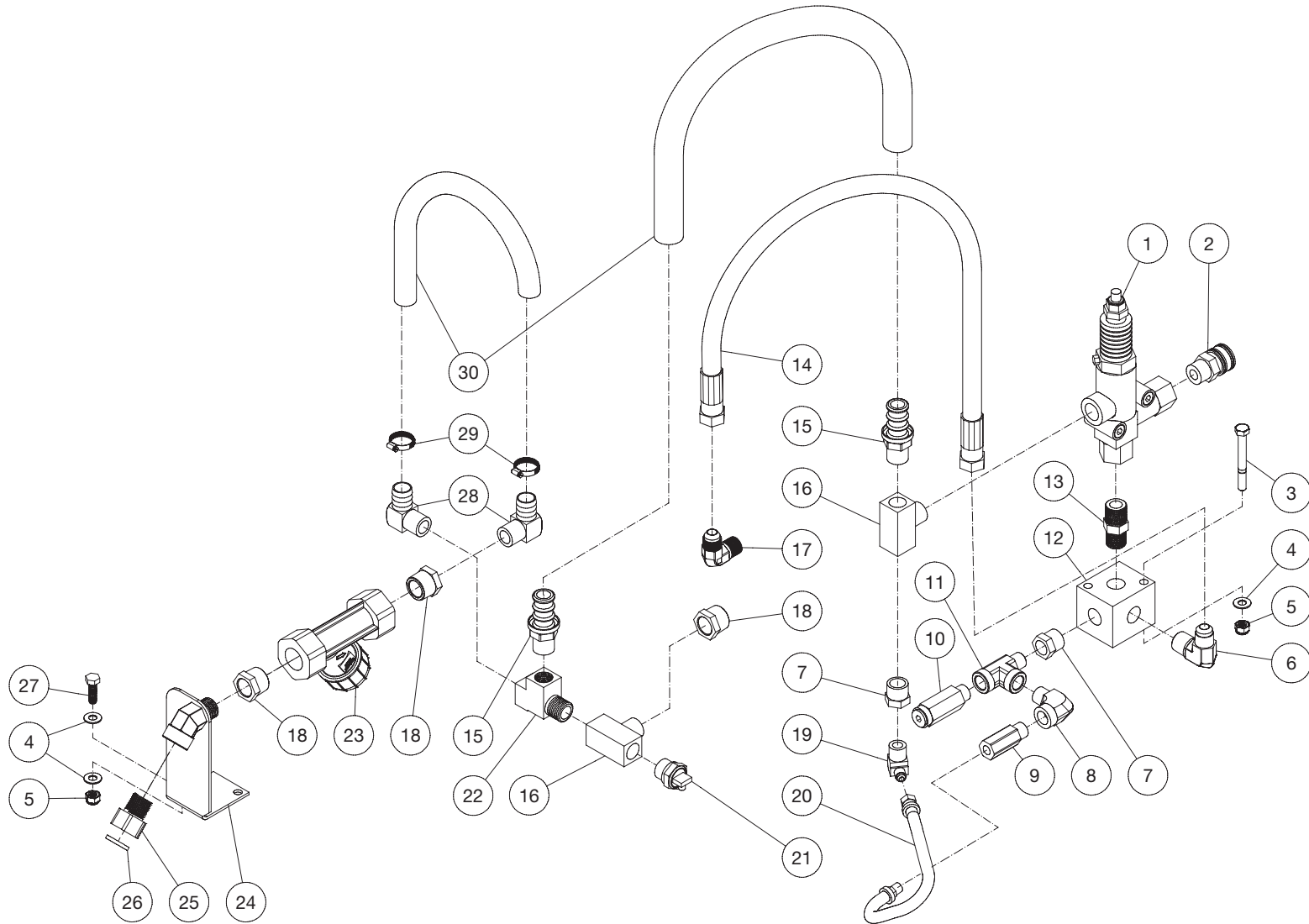


CWC-7004-4MGH 120622ADR

FRAME ASSEMBLY				FRAME ASSEMBLY			
ITEM	TITLE	PART #	QTY	ITEM	TITLE	PART #	QTY
1	GROMMET	33-0002	4	58	BOLT	27-0576	1
2	FRAME	5-0136A18	1	59	PUSH/PULL TOGGLE CLAMP	33-0400	1
3	DECAL - RISK OF BURNS (SEE 71-1028)	N/A	1	60	NUT	30-0004	1
4	WASHER	28-0003	13	61	BOLT	27-9550	1
5	LOCKNUT	30-0157	7	62	DECAL - OPERATION (SEE 71-1028)	N/A	1
6	WHEEL	14-0150	4	63	GAS TANK ASSEMBLY	851-0400	1
7	LOCKNUT	30-0117	4	64	PLUG	24-0009	1
8	DECAL - MI-T-M EMISSIONS	N/A	1	65	FUEL TANK	12-0248A09	1
9	DECAL - SILVER STICKER	N/A	1	66	FUEL GAUGE	12-0263	1
10	EDGING *(ONE FOOT REQUIRED)	33-0020	1	67	BARB	23-0051	1
11	BOLT	27-0016	1	68	FUEL PICK UP	33-0271	1
12	WASHER	28-0021	10	69	ELBOW	23-0054	1
13	SUPPORT BRACKET	13-0120A18	1	70	FUEL CAP CATCH	12-0228	1
14	LOCKNUT	30-0155	11	71	FUEL CAP	12-0229	1
15	BOLT	27-0066	4	72	PLUMBING ASSEMBLY	N/A	1
16	BATTERY BOX	33-0092	1	73	PUMP	3-0430	1
17	BATTERY RETAINER	20-0264A18	1	74	BOLT	27-0067	4
18	TERMINAL RING	32-0097	2	75	SHEAVE	10-0154	1
19	CABLE *(THREE FEET REQUIRED)	32-0065	1	76	ASSEMBLY - BELTGUARD BACK	851-0310	1
20	BATTERY CABLE COVER	33-0004	1	77	DECAL - WARNING (SEE 71-1028)	N/A	1
21	BOLT	27-0015	12	78	BELTGUARD BACK	N/A	1
22	WASHER	28-0002	12	79	DECAL - BELTGUARD IN PLACE (SEE 71-1028)	N/A	1
23	DECAL - RISK OF INJURY (SEE 71-1028)	N/A	1	80	EDGING *(TWO FEET REQUIRED)	33-0020	1
24	BATTERY(CWC)	32-1077	1	81	SHEAVE	10-0061	1
25	CABLE	32-9111	1	82	BELT	11-0054	3
26	ENGINE ASSEMBLY	851-0418	1	83	BUSHING	9-0010	1
27	BOLT	27-0121	4	84	BOLT	27-0771	2
28	WASHER	28-0023	11	85	BUSHING	9-0017	1
29	LOCKNUT	30-0159	6	86	ASSEMBLY BELTGUARD COVER	851-0324	1
30	CLAMP WORM	42-0004	3	87	EDGING *(FOUR FEET REQUIRED)	33-0020	1
31	FUEL HOSE *(TEN FEET REQUIRED)	15-0008	1	88	BELTGUARD COVER	N/A	1
32	DECAL - RISK OF BURNS (SEE 71-1028)	N/A	2	89	FASTENER	33-0197	1
33	ELBOW	23-0119	1	90	DECAL - NOZZLE (SEE 71-1028)	N/A	1
34	HOSE CLAMP	42-0011	1	91	GROMMET	33-0001	5
35	HOSE *(TWO FEET REQUIRED)	15-0305	1	92	NOZZLE - 15°	18-0426	1
36	HOSE BARB	23-0360	1	-	NOZZLE - 25°	18-0427	1
37	PLUG	23-0411	1	-	NOZZLE	18-0449	1
38	FUEL HOSE *(THREE FEET REQUIRED)	15-0261	1	-	NOZZLE	18-0450	1
39	AIR CLEANER ADAPTER	62-0229	1	93	DECAL - MI-T-M STRIPE (SEE 71-1028) (CWC)	N/A	1
40	DRAIN HOSE	70-0555	1	-	DECAL - STRIPE SEE DX OPTION (DC)	N/A	1
41	KEY	43-0078	1	94	DECAL - LOGO (CWC)	34-2169	1
42	BOLT	27-0017	2	-	DECAL - LOGO SEE DX OPTION (DC)	N/A	1
43	LOCKWASHER	28-1028	2	95	ASSEMBLY GUN W/S.S. LANCE 48"	851-0361	1
44	BOLT	27-0068	1	96	QUICK CONNECT	17-0005	1
45	CLIP	33-0291	2	97	GUN	16-0447	1
46	CARB CANISTER STRAP	20-1187A01	2	98	GRIP	7-0002	1
47	CARB CANISTER	62-0212	1	99	WAND	16-0342A18	1
48	LOCKNUT	30-0161	4	100	DECAL - RISK OF INJECTION (SEE 71-1028)	N/A	1
49	WASHER	28-0030	8	101	QUICK CONNECT	17-0036	1
50	PUMP BRACKET	5-0101A18	1	102	O-RING	25-0122	1
51	LOCKWASHER	29-0055	4	103	O-RING	25-0123	1
52	BOLT	27-8471	4	104	HIGH PRESSURE HOSE ASSEMBLY	851-0420	1
53	DECAL - MOBILE PRO (CWC)	34-3578	1	105	QC SOCKET	17-0041	1
54	DECAL - MADE IN USA	34-3553	1	106	HOSE	15-0365	1
55	BOLT	27-0167	4	107	QUICK CONNECT	17-0006	1
56	BOLT	27-0118	2	-	DECAL SET - CWC	71-1028	1
57	BRACKET	13-0003A18	1				

*MUST ORDER IN ONE FOOT LENGTHS

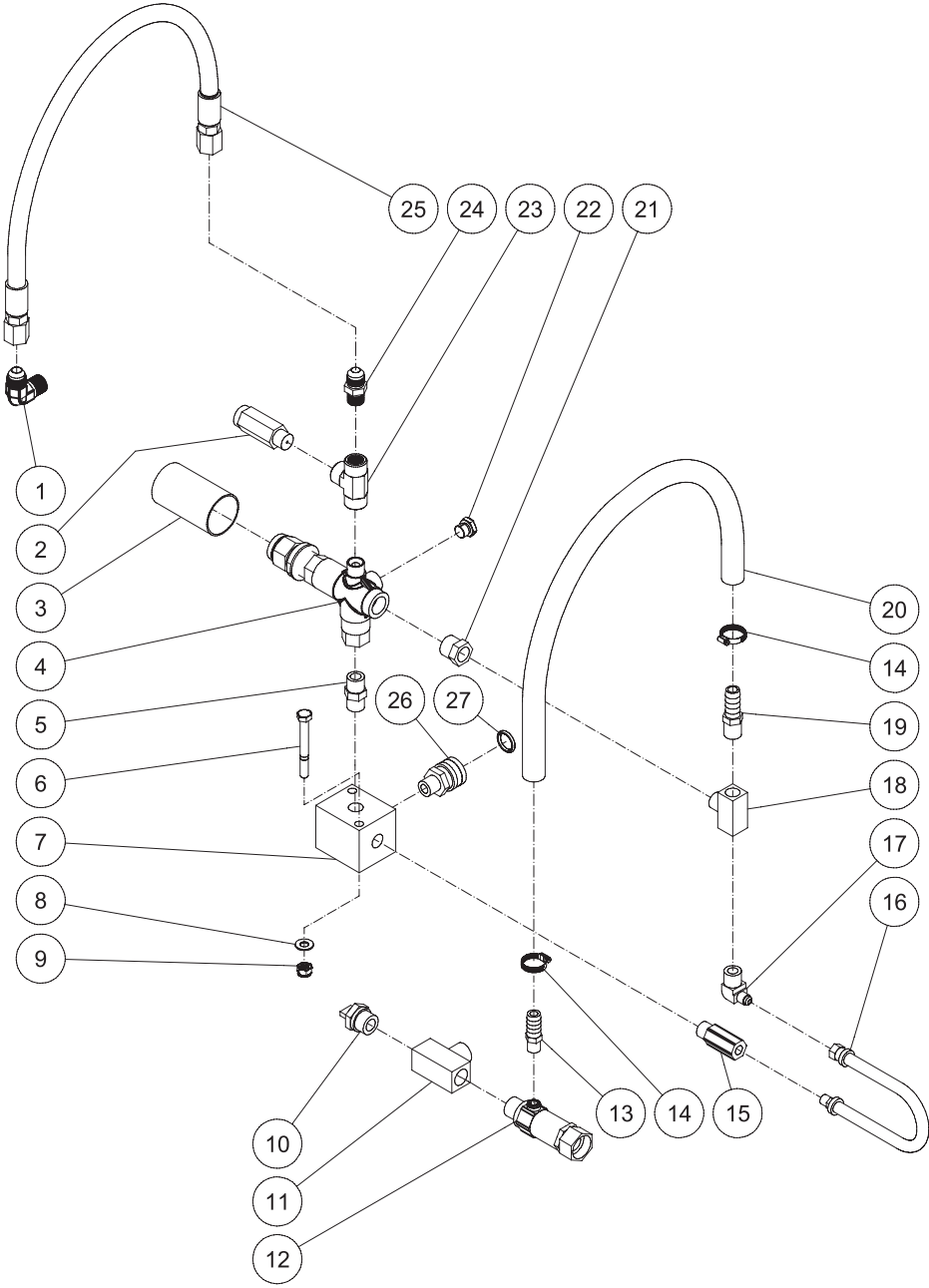
PLUMBING ASSEMBLY 3008



CWC-PLUMBING ASSEMBLY 3008 102120 JRC

CWC-PLUMBING ASSEMBLY 3005 102120 JRC			
CWC PLUMBING ASSEMBLY 3008			
ITEM	DESCRIPTION	PART #	QTY
1	UNLOADER	8-0032	1
2	QUICK CONNECT SOCKET	17-0029	1
3	BOLT	27-0074	2
4	WASHER	28-0003	6
5	LOCKNUT	30-0157	4
6	90° ELBOW FITTING	24-0074	1
7	REDUCER BUSHING	23-0016	2
8	ELBOW	24-0105	1
9	EASY START VALVE	22-0242	1
10	SAFETY VALVE	22-0376	1
11	STREET TEE	23-0058	1
12	MANIFOLD BLOCK	51-0034	1
13	NIPPLE	24-0031	1
14	HIGH PRESSURE HOSE ASSEMBLY	15-0221	1
15	BARB	23-0007	2
16	TEE	23-0235	2
17	ELBOW	24-0092	1
18	BUSHING	23-0023	3
19	ELBOW	23-0324	1
20	HOSE	15-0140	1
21	RELIEF VALVE	22-0005	1
22	TEE	23-0124	1
23	INLET FILTER	19-0238	1
24	INLET BRACKET	20-0428A18	1
25	SWIVEL	23-0095	1
26	GARDEN HOSE GASKET	26-0001	1
27	BOLT	27-0067	2
28	ELBOW	23-0037	2
29	HOSE CLAMP	42-0003	2
30	HOSE	15-0035	2

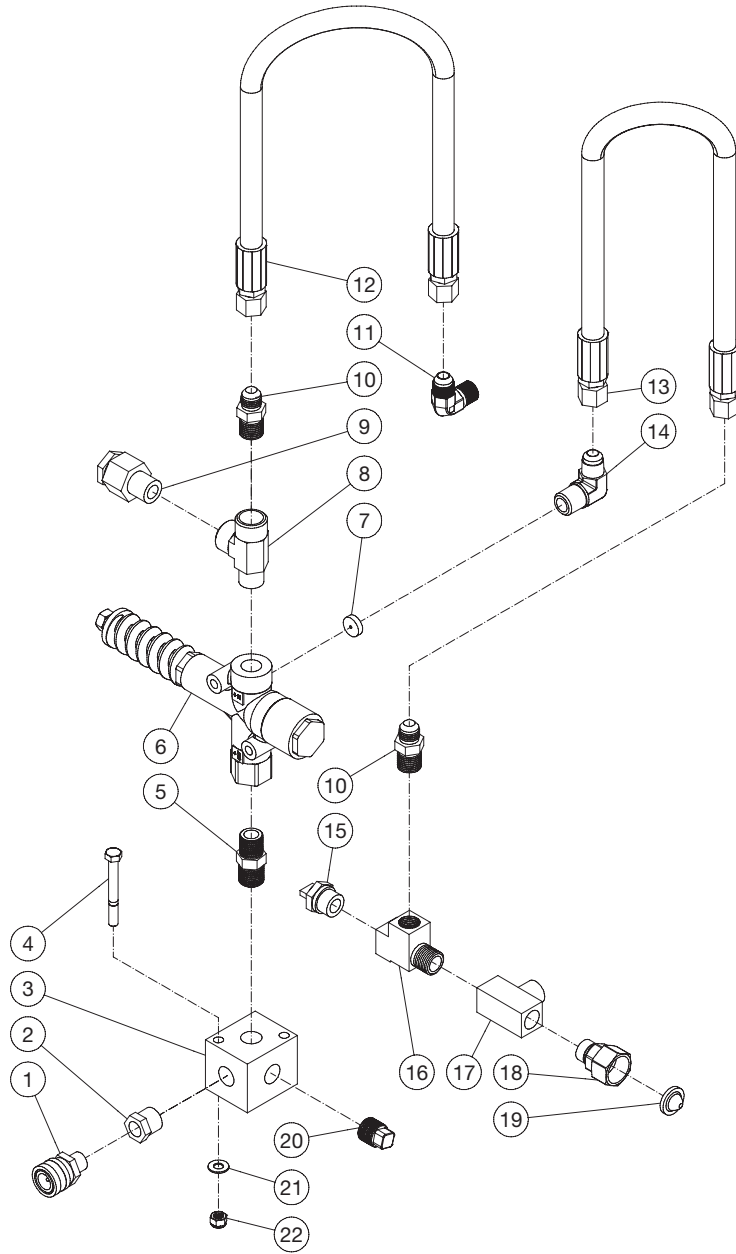
PLUMBING ASSEMBLY 5004_5005



CWC-PLUMBING ASSEMBLY 5004_5005 050814 ALC

CWC PLUMBING ASSEMBLY 5004_5005 050814 ALC			
CWC-PLUMBING ASSEMBLY			
ITEM	DESCRIPTION	PART #	QTY
1	ELBOW	24-0092	1
2	VALVE	22-0319	1
3	HEAT SHRINK TUBING *(ONE FOOT REQUIRED)	33-0272	1
4	UNLOADER	8-0522	1
5	NIPPLE	24-0010	1
6	BOLT	27-0074	2
7	MANIFOLD BLOCK	51-0020	1
8	WASHER	28-0003	2
9	LOCKNUT	30-0157	2
10	RELIEF VALVE	22-0005	1
11	TEE	23-0235	1
12	FILTER	19-0207	1
13	HOSE BARB	23-0120	1
14	HOSE CLAMP	42-0011	2
15	EASY START VALVE	22-0242	1
16	HOSE	15-0140	1
17	ELBOW	23-0324	1
18	TEE	23-0117	1
19	HOSE BARB	23-0105	1
20	HOSE *(THREE FEET REQUIRED)	15-0007	1
21	REDUCER BUSHING	23-0016	1
22	PLUG	39-0017	1
23	TEE	24-0026	1
24	NIPPLE	24-0002	1
25	HOSE	15-0254	1
26	QUICK CONNECT	17-0042	1
27	O-RING	25-0123	1
*MUST ORDER IN ONE FOOT LENGTHS			

PLUMBING ASSEMBLY 6004 AND 7004



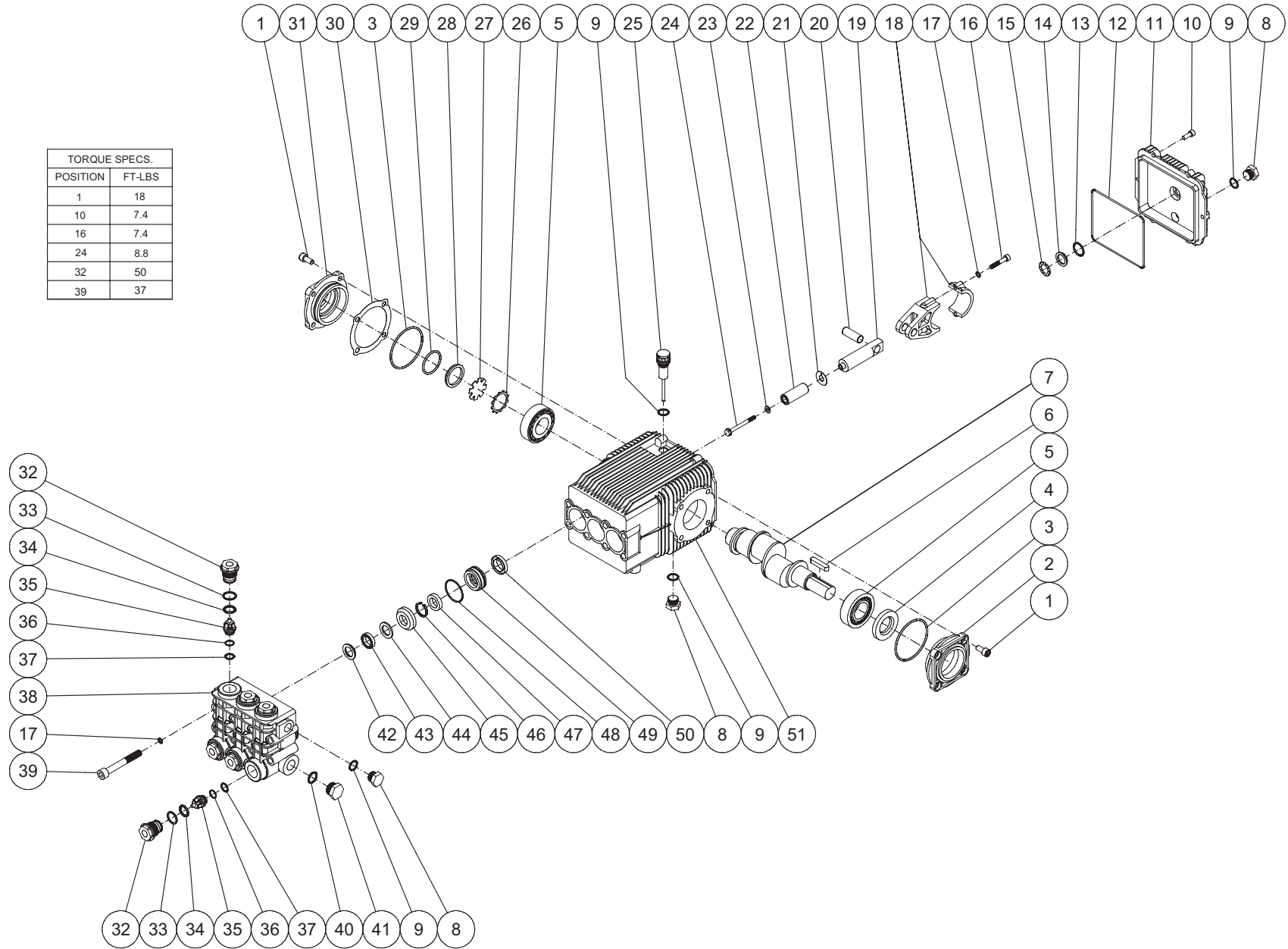
CWC-PLUMBING ASSEMBLY 6004_7004 051421

CWC - PLUMBING 6004 AND 7004

ITEM	DESCRIPTION	PART #	QTY
1	QUICK CONNECT	17-0042	1
2	REDUCER	24-0282	1
3	MANIFOLD BLOCK	51-0034	1
4	BOLT	27-0074	2
5	NIPPLE	24-0031	1
6	UNLOADER	8-0636	1
7	RESTRICTOR WASHER	8-0654	1
8	STREET TEE	24-0242	1
9	BURST DISC AND HOLDER	22-0217	1
10	NIPPLE	24-0054	2
11	ELBOW	24-0092	1
12	HOSE (6004)	15-0254	1
-	HOSE (7004)	15-0366	1
13	HOSE	15-0254	1
14	90° ELBOW FITTING	24-0074	1
15	RELIEF VALVE	22-0005	1
16	TEE	23-0124	1
17	TEE	23-0235	1
18	GARDEN HOSE ASSY.	23-0095	1
19	FILTER	19-0001	1
20	PLUG	39-0016	1
21	WASHER	28-0003	2
22	LOCKNUT	30-0157	2

PUMP ASSEMBLY (3-0213)

TORQUE SPECS.	
POSITION	FT-LBS
1	18
10	7.4
16	7.4
24	8.8
32	50
39	37

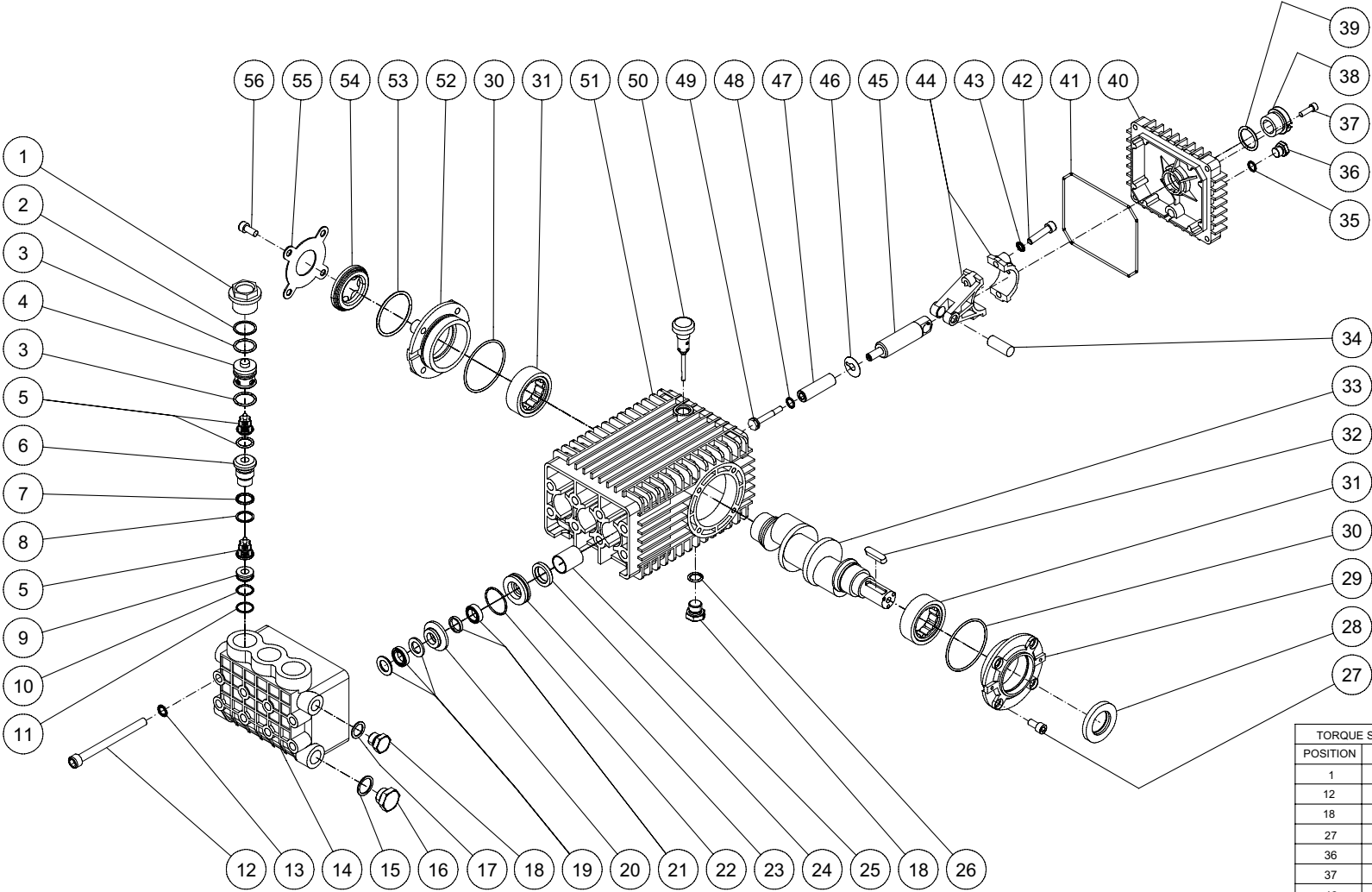


3-0213-061113-MLK

PUMP ASSEMBLY							
ITEM	DESCRIPTION	Mi-T-M #	QTY	ITEM	DESCRIPTION	Mi-T-M #	QTY
1	BOLT	27-8884	8	28	OIL SIGHT GLASS	46-0926	1
2	COVER	46-0909	1	29	O-RING	25-0514	1
3	O-RING	25-0512	2	30	SHIM - .05mm	46-0947	1
4	OIL SEAL	26-0243	1	-	SHIM - .10mm	46-0948	0
5	BEARING	48-0073	2	-	SHIM - .19mm	46-0949	0
6	PUMP KEY	43-0091	1	-	SHIM - .25mm	46-0950	0
7	CRANKSHAFT	46-0944	1	31	COVER	46-0918	1
8	PLUG	39-0203	3	32	VALVE CAP	39-0201	6
9	O-RING	25-0510	4	33	BACK-UP RING	25-0509	6
10	BOLT	27-8888	6	34	O-RING	25-0386	6
11	COVER	46-0912	1	35	VALVE (SEE KIT 70-0314)	22-0318	6
12	O-RING	25-0513	1	36	BACK-UP RING (SEE KIT 70-0314)	25-0516	6
13	O-RING	25-0370	1	37	O-RING (SEE KIT 70-0314)	25-0407	6
14	OIL SIGHT GLASS	46-0670	1	38	PUMP MANIFOLD	46-0900	1
15	SPRING RETAINER	46-0671	1	39	BOLT	27-8470	8
16	BOLT	27-8892	6	40	O-RING	25-0372	1
17	LOCKWASHER	29-0153	14	41	PLUG	39-0202	1
18	CONNECTING ROD	46-0913	3	42	SUPPORT RING (SEE KIT 70-0317)	46-0901	3
19	PLUNGER ROD	46-0915	3	43	HIGH PRESSURE SEAL (SEE KIT 70-0317)	46-0902	3
20	PIN	46-0914	3	44	BACK-UP RING (SEE KIT 70-0317)	46-0903	3
21	WASHER	46-0916	3	45	GUIDE	46-1201	3
22	PISTON	46-0917	3	46	BACK-UP RING (SEE KIT 70-0317)	46-0905	3
23	WASHER	29-0014	3	47	LOW PRESSURE SEAL (SEE KIT 70-0317)	46-0906	3
24	BOLT	27-8965	3	48	O-RING (SEE KIT 70-0317)	25-0511	3
25	DIPSTICK	39-0204	1	49	GUIDE REAR	46-1200	3
26	RETAINER	46-0924	1	50	OIL SEAL	26-0242	3
27	PUMP	46-0925	1	51	CRANKCASE	46-0911	1

REPLACEMENT KITS				
Mi-T-M KIT #	DESCRIPTION	ITEMS	# OF ASSEMBLIES	# OF CYLINDERS
70-0317	KIT - WATER SEALS	42-44, 46-48	3	3
70-0314	KIT - VALVES	35, 36, 37	6	3

PUMP ASSEMBLY (3-0261)



TORQUE SPECS.	
POSITION	FT-LBS
1	95.9
12	33.2
18	29.5
27	14.8
36	14.8
37	7.4
42	14.8
49**	14.8
56	14.8

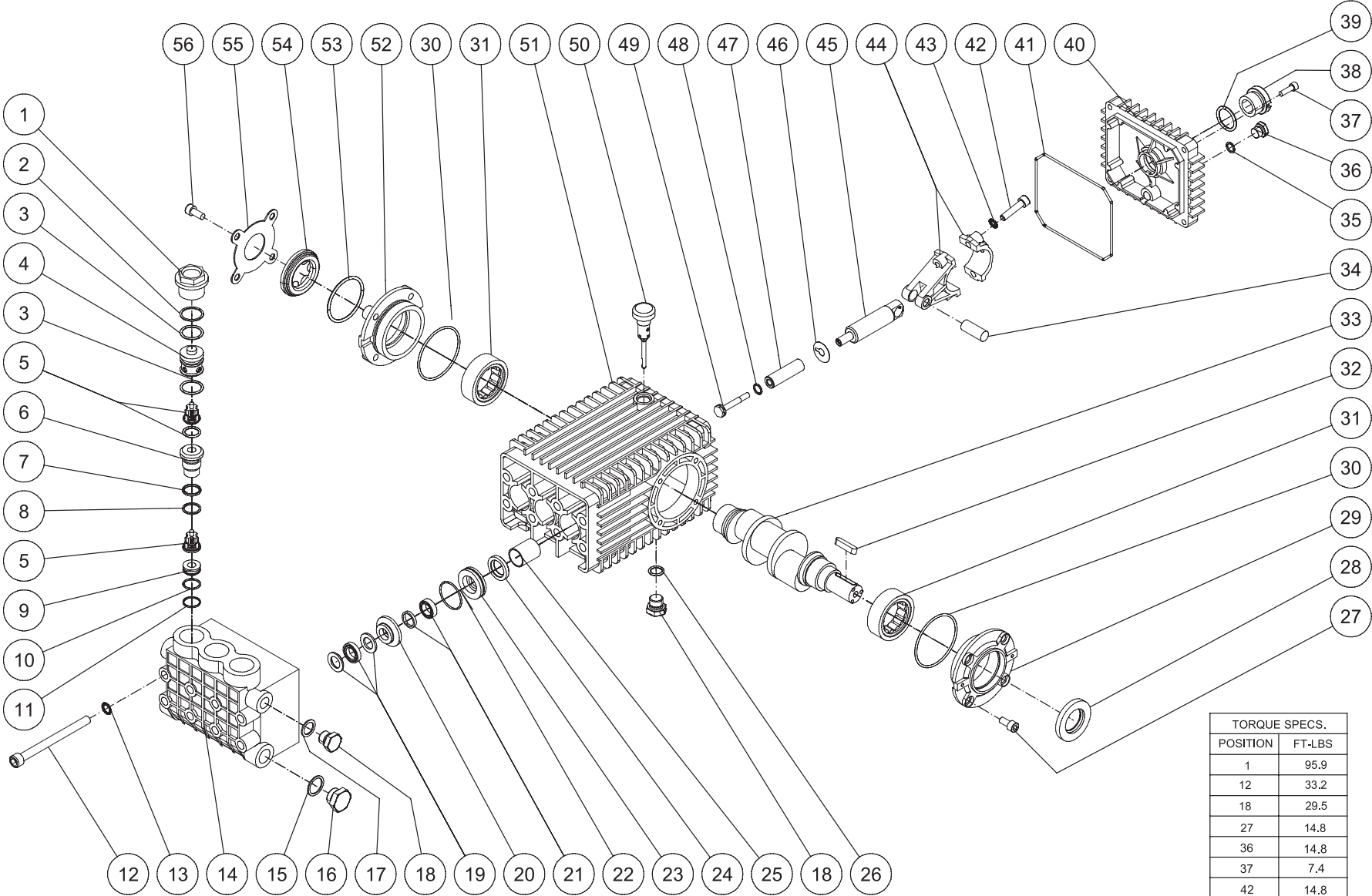
** USE LOC-TITE 542

3-0261 102419 ATL

PUMP ASSEMBLY							
ITEM	DESCRIPTION	Mi-T-M #	QTY	ITEM	DESCRIPTION	Mi-T-M #	QTY
1	VALVE PLUG	46-1203	3	29	CRANKCASE COVER OPEN	46-1217	1
2	RING	25-0592	3	30	O-RING	25-0590	2
3	O-RING	25-0139	6	31	BEARING	48-0085	2
4	CAP	46-1206	3	32	KEY	46-0602	1
5	VALVE ASSEMBLY (SEE KIT 70-0431)	SEE KIT	6	33	CRANKSHAFT	46-1210	1
6	GUIDE	46-1205	3	34	CONNECTING ROD PIN	43-0118	3
7	O-RING	25-0160	3	35	O-RING	25-0014	1
8	BACKUP RING	25-0430	3	36	PLUG	39-0017	1
9	SPACER	46-1204	3	37	BOLT	27-8812	4
10	O-RING	25-0130	3	38	SIGHT GLASS	46-1163	1
11	BACKUP RING	25-0591	3	39	O-RING	25-0059	1
12	BOLT	27-8073	8	40	CRANKCASE COVER	46-1212	1
13	LOCKWASHER	29-0155	8	41	O-RING	25-0339	1
14	MANIFOLD	N/A	1	42	BOLT	27-8435	6
15	WASHER	28-1038	1	43	LOCKWASHER	29-1014	1
16	PLUG	39-0019	1	44	CONNECTING ROD	46-1211	3
17	WASHER	28-1002	1	45	PLUNGER ROD	46-1213	3
18	PLUG	39-0018	2	46	SLINGER WASHER	46-1214	3
19	HIGH PRESSURE SEAL ASSEMBLY (SEE KIT 70-0433 & 70-0434)	SEE KIT	3	47	PLUNGER	46-1215	3
20	HIGH PRESSURE INTERMEDIATE SEAL RETAINER (SEE KIT 70-0434)	SEE KIT	3	48	O-RING	25-0310	3
21	LOW PRESSURE SEAL (SEE KIT 70-0433 & 70-0434)	SEE KIT	3	49	BOLT / PISTON	46-1216	3
22	O-RING (SEE KIT 70-0434)	25-0015	3	50	OIL DIP STICK	46-0144	1
23	LOW PRESSURE SEAL RETAINER (SEE KIT 70-0434)	SEE KIT	3	51	CRANKCASE	46-1209	1
24	OIT SEAL (SEE KIT 70-0432)	26-0047	3	52	CRANKCASE COVER	46-1208	1
25	BUSHING	9-0029	3	53	O-RING	25-0060	1
26	O-RING	25-0052	1	54	OIL LEVEL INDICATOR	46-0574	1
27	BOLT	27-8431	4	55	SIGHTGLASS COVER	46-1207	1
28	OIL SEAL	26-0049	1	56	BOLT	27-8433	4

REPLACEMENT KITS				
Mi-T-M KIT#	DESCRIPTION	ITEMS	# OF ASSEMBLIES	# OF CYLINDERS
70-0432	OIL SEAL KIT	24	3	3
70-0431	VALVE KIT	5	6	3
70-0433	LOW/HIGH PRESSURE SEALS	19, 21	3	3
70-0434	PACKING KIT	19-23	1	1

PUMP ASSEMBLY (3-0262)



TORQUE SPECS.	
POSITION	FT-LBS
1	95.9
12	33.2
18	29.5
27	14.8
36	14.8
37	7.4
42	14.8
49**	14.8
56	14.8

** USE LOC-TITE 542

3-0262 061113 MLK

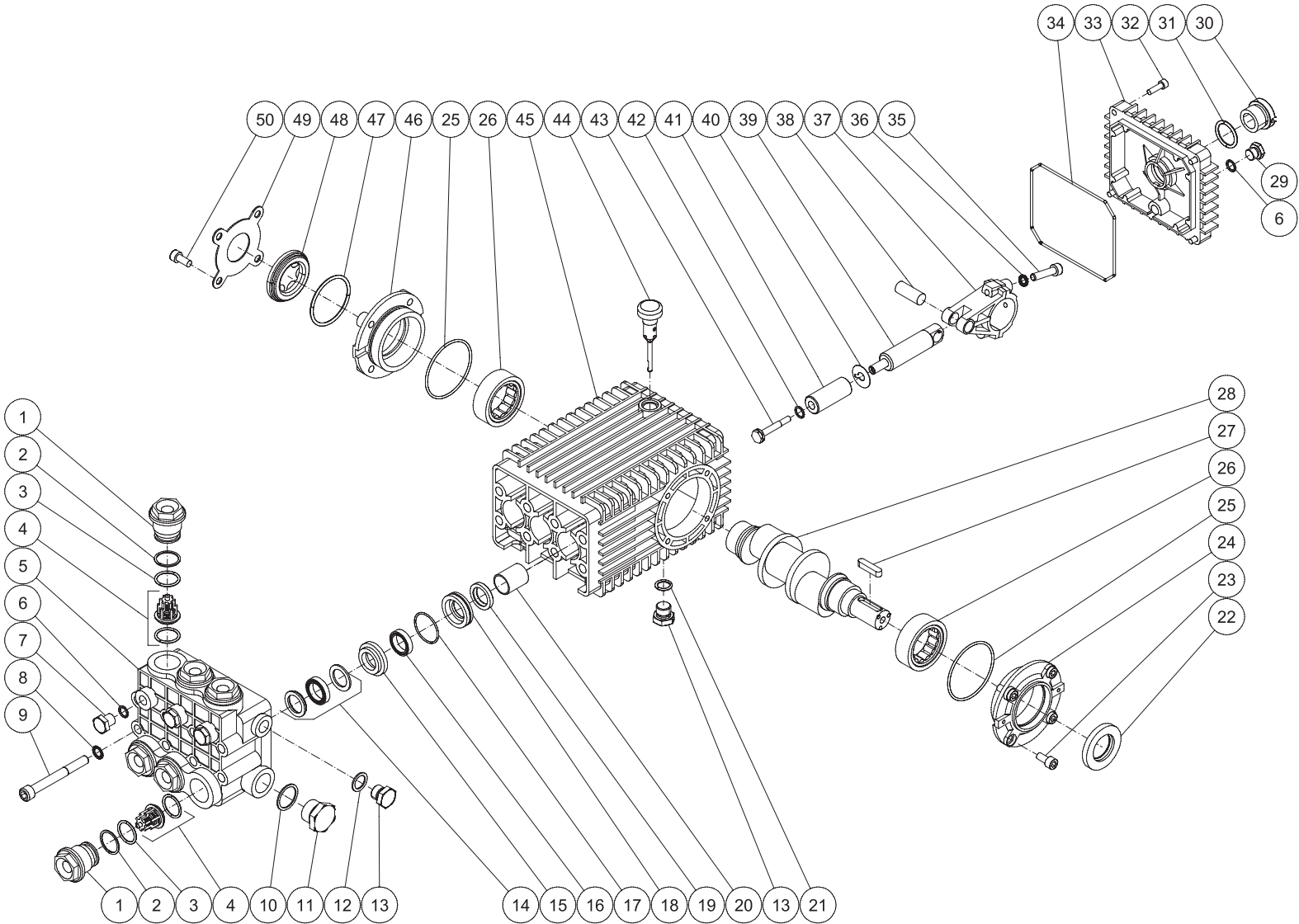
PUMP ASSEMBLY							
ITEM	DESCRIPTION	Mi-T-M #	QTY	ITEM	DESCRIPTION	Mi-T-M #	QTY
1	VALVE PLUG	46-1203	3	29	CRANKCASE COVER OPEN	46-1217	1
2	RING	25-0592	3	30	O-RING	25-0590	2
3	O-RING	25-0139	6	31	BEARING	46-0085	2
4	CAP	46-1206	3	32	KEY	46-0602	1
5	VALVE ASSEMBLY (SEE KIT 70-0431)	70-0431	6	33	CRANKSHAFT	46-1210	1
6	GUIDE	46-1205	3	34	CONNECTING ROD PIN	43-0118	3
7	O-RING	25-0160	3	35	O-RING	25-0014	1
8	BACKUP RING	25-0430	3	36	PLUG	39-0017	1
9	SPACER	46-1204	3	37	BOLT	27-8812	4
10	O-RING	25-0130	3	38	SIGHT GLASS	46-1163	1
11	BACKUP RING	25-0591	3	39	O-RING	25-0059	1
12	BOLT	27-8073	8	40	CRANKCASE COVER	46-1212	1
13	LOCKWASHER	29-0155	8	41	O-RING	25-0339	1
14	MANIFOLD	46-1218	1	42	BOLT	27-8435	6
15	WASHER	28-1038	1	43	LOCKWASHER	29-1014	1
16	PLUG	39-0019	1	44	CONNECTING ROD	46-1211	3
17	WASHER	28-1002	1	45	PLUNGER ROD	46-1213	3
18	PLUG	39-0018	2	46	SLINGER WASHER	46-1214	3
19	HIGH PRESSURE SEAL ASSEMBLY (SEE KIT 70-0435 & 70-0436)	SEE KIT	3	47	PLUNGER	46-1219	3
20	HIGH PRESSURE INTERMEDIATE SEAL RETAINER (SEE KIT 70-0435)	SEE KIT	3	48	O-RING	25-0310	3
21	LOW PRESSURE SEAL OD 26 X ID 10 X 5MM (SEE KIT 70-0435 & 70-0436)	SEE KIT	3	49	BOLT / PISTON	46-1216	3
22	O-RING (SEE KIT 70-0435)	25-0015	3	50	OIL DIP STICK	46-0144	1
23	LOW PRESSURE SEAL RETAINER (SEE KIT 70-0435)	SEE KIT	3	51	CRANKCASE	46-1209	1
24	OIL SEAL (SEE KIT 70-0432)	26-0047	3	52	CRANKCASE COVER	46-1208	1
25	BUSHING	9-0029	3	53	O-RING	25-0060	1
26	O-RING	25-0052	1	54	OIL LEVEL INDICATOR	46-0574	1
27	BOLT	27-8431	4	55	SIGHTGLASS COVER	46-1207	1
28	OIL SEAL	26-0049	1	56	BOLT	27-8433	4

REPLACEMENT KITS				
Mi-T-M KIT#	DESCRIPTION	ITEMS	# OF ASSEMBLIES	# OF CYLINDERS
70-0432	OIL SEAL KIT	24	3	3
70-0431	VALVE KIT	5	6	3
70-0436	LOW/HIGH PRESSURE SEALS	19, 21	3	3
70-0435	PACKING KIT	19-23	1	1

PUMP ASSEMBLY (3-0279)

TORQUE SPECS.	
POSITION	FT-LBS
1	95.9
7	29.5
9	33.2
11	51.6
13	29.5
23	14.8
30	14.8
33	7.4
36	14.8
43	14.8
50	14.8

** USE LOC-TITE 542



3-0279 122115 MLK

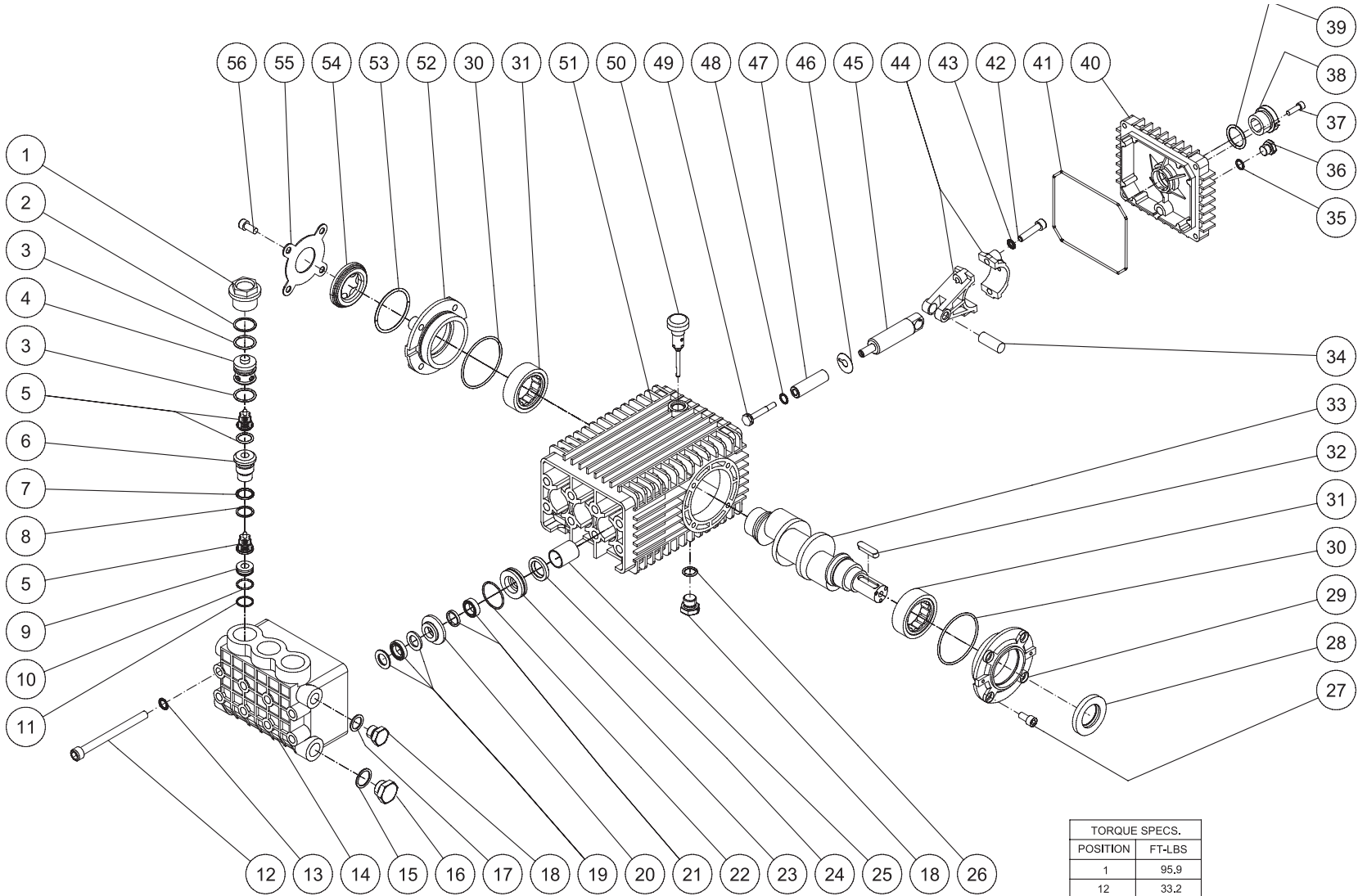
PUMP ASSEMBLY

ITEM	DESCRIPTION	PART #	QTY	ITEM	DESCRIPTION	PART #	QTY
1	VALVE CAP	46-1222	6	26	BEARING	48-0085	2
2	RING	25-0592	6	27	KEY	46-0602	1
3	O-RING	25-0139	6	28	CRANKSHAFT	46-1210	1
4	VALVE ASSEMBLY (SEE KIT 70-0439)	70-0439	6	29	PLUG	39-0017	1
5	MANIFOLD	46-1220	1	30	SIGHT GLASS	46-1163	1
6	O-RING	25-0310	4	31	O-RING	25-0059	1
7	PLUG	39-0222	3	32	BOLT	27-8812	4
8	LOCKWASHER	29-0155	8	33	CRANKCASE COVER	46-1212	1
9	BOLT	27-9595	8	34	O-RING	25-0339	1
10	GASKET	28-1051	1	35	BOLT	27-8435	6
11	PLUG	39-0221	1	36	LOCKWASHER	29-1014	6
12	WASHER	28-1002	1	37	CONNECTING ROD	46-1211	3
13	PLUG	39-0018	2	38	CONNECTING ROD PIN	43-0118	3
14	HIGH PRESSURE SEALS (SEE KIT 70-0440 & 70-0441)	SEE KIT	3	39	PLUNGER ROD	46-1213	3
15	HIGH PRESSURE RING (SEE KIT 70-0441)	SEE KIT	3	40	SLINGER WASHER	46-1214	3
16	LOW PRESSURE SEAL (SEE KIT 70-0440 & 70-0441)	SEE KIT	3	41	PLUNGER	46-1221	3
17	O-RING (SEE KIT 70-0441)	25-0015	3	42	O-RING	25-0698	3
18	LOW PRESSURE SEAL (SEE KIT 70-0441)	SEE KIT	3	43	BOLT / PISTON	46-1216	3
19	OIL SEAL (SEE KIT 70-0432)	26-0047	3	44	OIL DIP STICK	46-0144	1
20	BUSHING	9-0029	3	45	CRANKCASE	46-1209	1
21	O-RING	25-0052	1	46	CRANKCASE COVER	46-1208	1
22	OIL SEAL	26-0049	1	47	O-RING	25-0060	1
23	BOLT	27-8431	4	48	OIL LEVEL INDICATOR	46-0574	1
24	CRANKCASE COVER	46-1217	1	49	SIGHTGLASS COVER	46-1207	1
25	O-RING	25-0590	2	50	BOLT	27-8433	4

REPLACEMENT KITS

KIT #	DESCRIPTION	ITEMS	# OF ASSEMBLIES	# OF CYLINDERS
70-0432	OIL SEAL KIT	19	3	3
70-0439	VALVE KIT	4	6	3
70-0440	LOW/HIGH PRESSURE SEALS	14, 16	3	3
70-0441	PACKING KIT	14-18	1	1

PUMP ASSEMBLY (3-0430)



TORQUE SPECS.	
POSITION	FT-LBS
1	95,9
12	33,2
18	29,5
27	14,8
36	14,8
37	7,4
42	14,8
49**	14,8
56	14,8

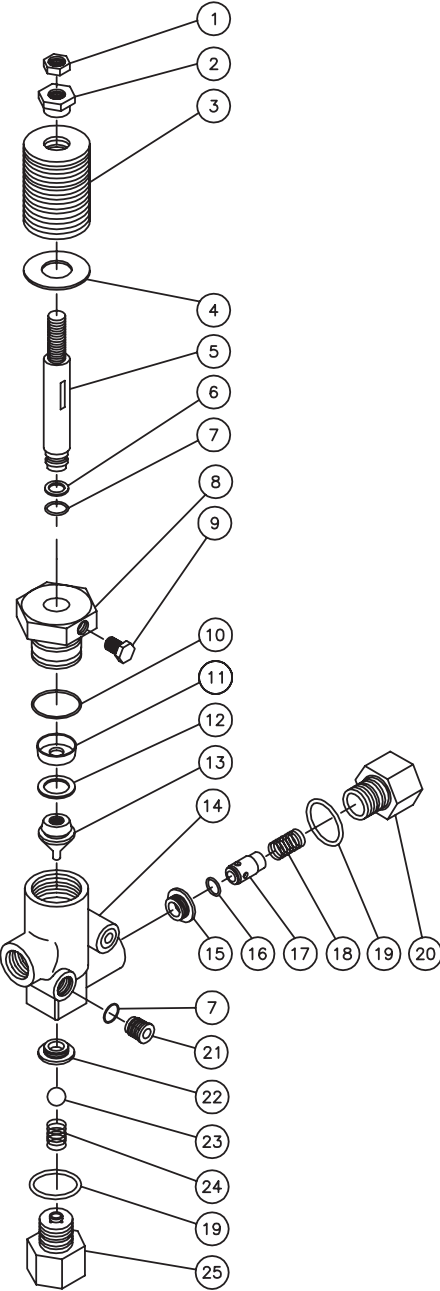
** USE LOC-TITE 542

3-0430 031116 RSW

PUMP ASSEMBLY							
ITEM	DESCRIPTION	PART #	QTY	ITEM	DESCRIPTION	PART #	QTY
1	VALVE PLUG	46-1203	3	29	CRANKCASE COVER OPEN	46-1217	1
2	RING	25-0592	3	30	O-RING	25-0590	2
3	O-RING	25-0139	6	31	BEARING	48-0085	2
4	CAP	46-1206	3	32	KEY	46-0602	1
5	VALVE ASSEMBLY (SEE KIT 70-0431)	SEE KIT	6	33	CRANKSHAFT	46-1344	1
6	GUIDE	46-1205	3	34	CONNECTING ROD PIN	43-0118	3
7	O-RING	25-0160	3	35	O-RING	25-0014	1
8	BACKUP RING	25-0430	3	36	PLUG	39-0017	1
9	SPACER	46-1204	3	37	BOLT	27-8812	4
10	O-RING	25-0130	3	38	SIGHT GLASS	46-1163	1
11	BACKUP RING	25-0591	3	39	O-RING	25-0059	1
12	BOLT	27-8073	8	40	CRANKCASE COVER	46-1212	1
13	LOCKWASHER	29-0155	8	41	O-RING	25-0339	1
14	MANIFOLD	46-1202	1	42	BOLT	27-8435	6
15	WASHER	28-1038	1	43	LOCKWASHER	29-1014	1
16	PLUG	39-0019	1	44	CONNECTING ROD	46-1211	3
17	WASHER	28-1002	1	45	PLUNGER ROD	46-1213	3
18	PLUG	39-0018	2	46	SLINGER WASHER	46-1214	3
19	HIGH PRESSURE SEAL ASSEMBLY (SEE KIT 70-0433 & 70-0434)	SEE KIT	3	47	PLUNGER	46-1215	3
20	HIGH PRESSURE INTERMEDIATE SEAL RETAINER (SEE KIT 70-0434)	SEE KIT	3	48	O-RING	25-0310	3
21	LOW PRESSURE SEAL OD 26 X ID 10 X 5MM (SEE KIT 70-0433 & 70-0434)	SEE KIT	3	49	BOLT / PISTON	46-1216	3
22	O-RING (SEE KIT 70-0434)	25-0015	3	50	OIL DIP STICK	46-0144	1
23	LOW PRESSURE SEAL RETAINER (SEE KIT 70-0434)	SEE KIT	3	51	CRANKCASE	46-1209	1
24	OIL SEAL (SEE KIT 70-0432)	26-0047	3	52	CRANKCASE COVER	46-1208	1
25	BUSHING	9-0029	3	53	O-RING	25-0060	1
26	O-RING	25-0052	1	54	OIL LEVEL INDICATOR	46-0574	1
27	BOLT	27-8431	4	55	SIGHTGLASS COVER	46-1207	1
28	OIL SEAL	26-0049	1	56	BOLT	27-8433	4

REPLACEMENT KITS				
KIT#	DESCRIPTION	ITEMS	# OF ASSEMBLIES	# OF CYLINDERS
70-0432	OIL SEAL KIT	24	3	3
70-0431	VALVE KIT	5	6	3
70-0433	LOW/HIGH PRESSURE SEALS	19, 21	3	3
70-0434	PACKING KIT	19-23	1	1

UNLOADER ASSEMBLY (8-0032)

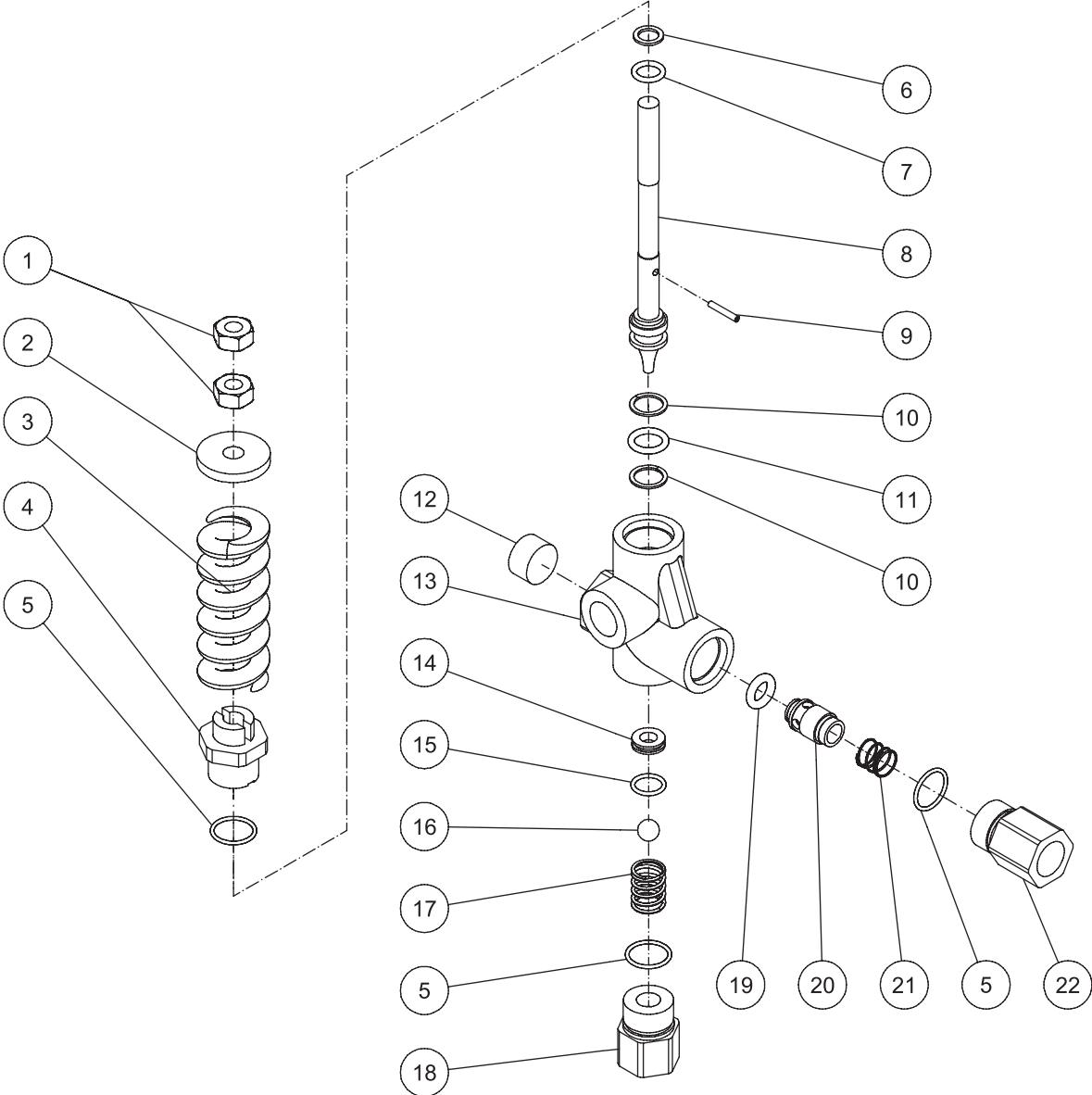


8-0032-061113 MLK

8-0032 061113 MLK			
UNLOADER ASSEMBLY (8-0032)			
REF.#	DESCRIPTION	PART #	QTY.
1	LOCKNUT	30-3058	1
2	ADJUSTING NUT	8-0089	1
3	SPRING WASHERS - ORANGE	8-0009	15
4	WASHER	28-0250	1
5	VALVE STEM	8-0037	1
6	BACKUP RING (SEE KIT 70-0044)	8-0038	1
7	O-RING (SEE KIT 70-0044)	25-0009	5
8	VALVE CAP	8-0036	1
9	SET SCREW	8-0084	1
10	O-RING (SEE KIT 70-0044)	25-0008	1
11	CUP (SEE KIT 70-0044)	8-0034	1
12	BACK-UP RING (SEE KIT 70-0044)	8-0040	1
13	PISTON	8-0039	1
14	VALVE BODY	8-0164	1
15	OUTLET SEAT	8-0006	1
16	O-RING (SEE KIT 70-0044)	25-0011	1
17	OUTLET VALVE	8-0004	1
18	SPRING	49-0016	1
19	O-RING (SEE KIT 70-0044)	25-0010	2
20	OUTLET RETAINER	8-0003	1
21	BRASS PLUG	8-0011	4
22	VALVE SEAT	8-0005	1
23	BALL	8-0041	1
24	SPRING	49-0015	1
25	INLET RETAINER	8-0165	1

REPLACEMENT KITS			
KIT#	DESCRIPTION	ITEMS	QTY
70-0044	UNLOADER KIT	6, 7, 10-12, 16, 19	2, 5, 1, 1, 1, 1, 2

UNLOADER ASSEMBLY (8-0373)

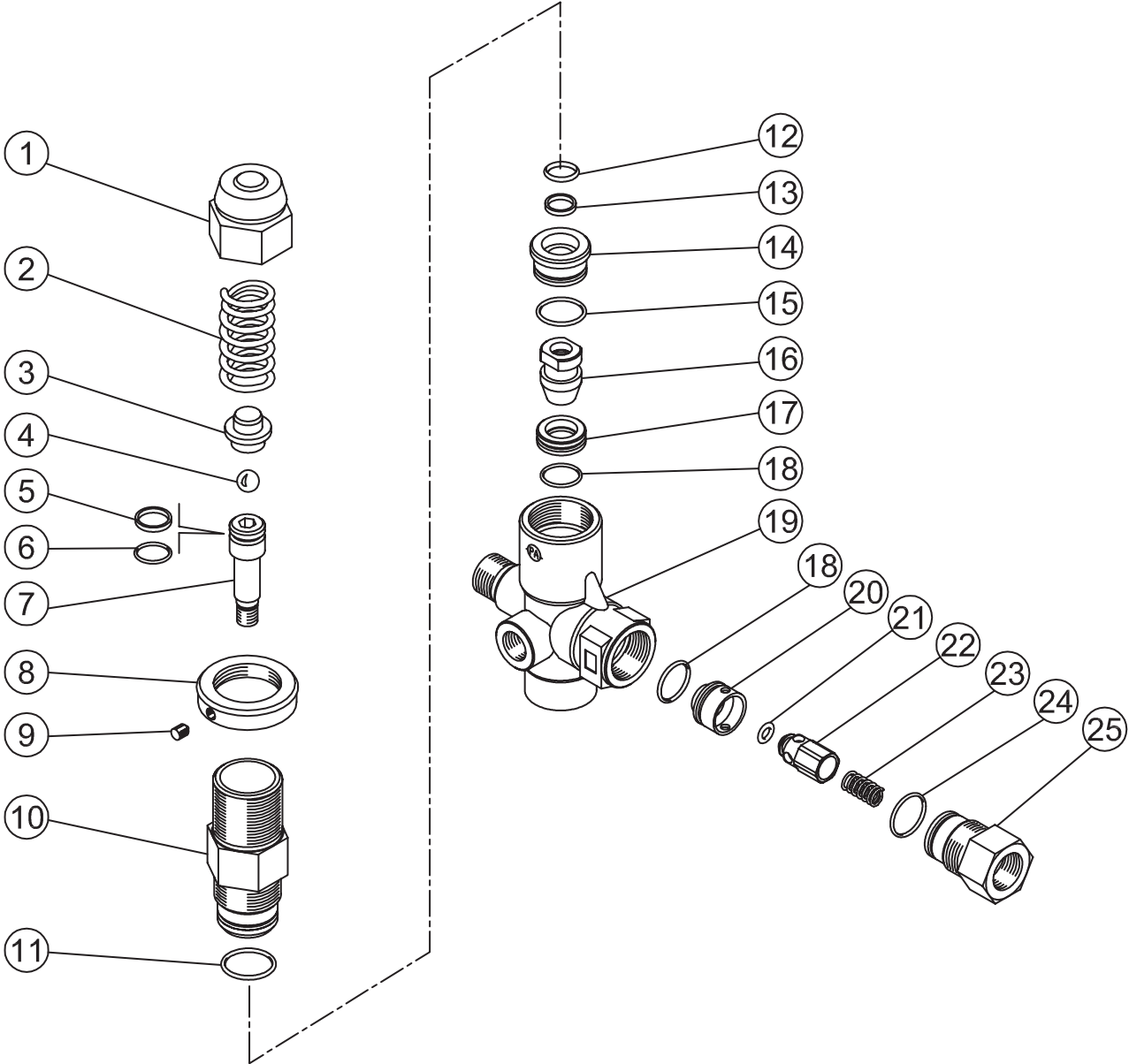


8-0373-6-01113 -MLK

8-0373 061113 MLK			
UNLOADER ASSEMBLY			
ITEM	DESCRIPTION	PART #	QTY
1	NUT	30-7203	2
2	SPRING GUIDE	8-0278	1
3	SPRING	49-0098	1
4	PISTON HOUSING	8-0374	1
5	O-RING (SEE KIT 8-0380)	25-0189	1
6	BACK-UP RING (SEE KIT 8-0380)	8-0277	1
7	O-RING (SEE KIT 8-0380)	25-0313	1
8	PISTON	8-0375	1
9	PIN	43-0059	1
10	BACK-UP RING (SEE KIT 8-0380)	8-0276	2
11	O-RING (SEE KIT 8-0380)	25-0314	1
12	PLUG	39-0070	1
13	VALVE HOUSING	8-0377	1
14	SEAT (SEE KIT 8-0380)	8-0272	1
15	O-RING	25-0190	1
16	BALL (SEE KIT 8-0380)	8-0273	1
17	BALL SPRING	49-0059	1
18	INLET CONNECTION	8-0379	1
19	O-RING (SEE KIT 8-0380)	25-0193	1
20	CHECK VALVE	22-0202	1
21	CHECK VALVE SPRING	49-0058	1
22	OUTLET CONNECTION	8-0376	1

REPLACEMENT KITS			
Mi-T-M KIT#	DESCRIPTION	ITEMS	QTY
8-0380	UNLOADER REPAIR KIT	5-7, 10, 11, 14, 16, 19	-

UNLOADER ASSEMBLY (8-0522)

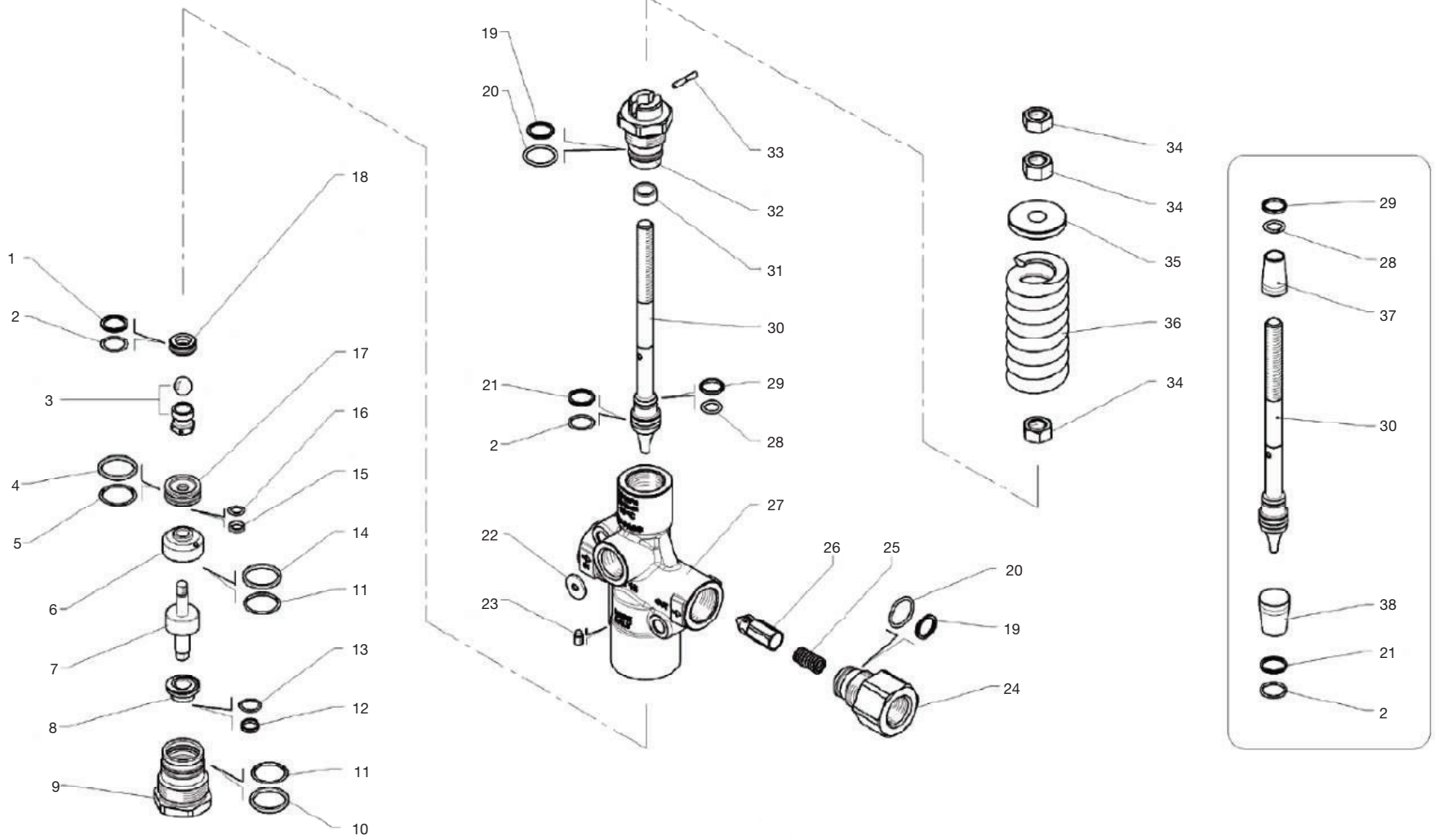


8-0522-060513-MLK

UNLOADER ASSEMBLY (8-0522)								8-0522-060513 MLK
REF. #	DESCRIPTION	PART #	QTY.		REF. #	DESCRIPTION	PART #	QTY.
1	Brass Cap	8-0534	1		14	Spacer	8-0539	1
2	Spring	49-0149	1		15	O-ring	25-0368	1
3	Spring Guide	8-0535	1		16	Shutter	8-0540	1
4	Ball	8-0318	1		17	Seat	8-0541	1
5	Back-up Ring (See 70-0342)	25-0529	1		18	O-ring	25-0220	2
6	O-ring (See 70-0342)	25-0530	1		19	Valve Body	8-0542	1
7	Piston	8-0536	1		20	Check Valve Seat	8-0543	1
8	Lock Ring	8-0537	1		21	O-ring	25-0369	1
9	Set Screw	8-0408	1		22	Check Valve	8-0486	1
10	Piston Housing	8-0538	1		23	Spring	49-0150	1
11	O-ring	25-0189	1		24	O-ring	25-0325	1
12	Back-up Ring (See 70-0343)	25-0531	1		25	Nipple	8-0485	1
13	O-ring (See 70-0343)	25-0532	1					

REPLACEMENT KITS			
Mi-T-M KIT#	DESCRIPTION	ITEMS	QTY
70-0342	KIT-UPPER SEAL	5, 6	1
70-0343	KIT-LOWER SEAL	12, 13	1

UNLOADER ASSEMBLY (8-0636)

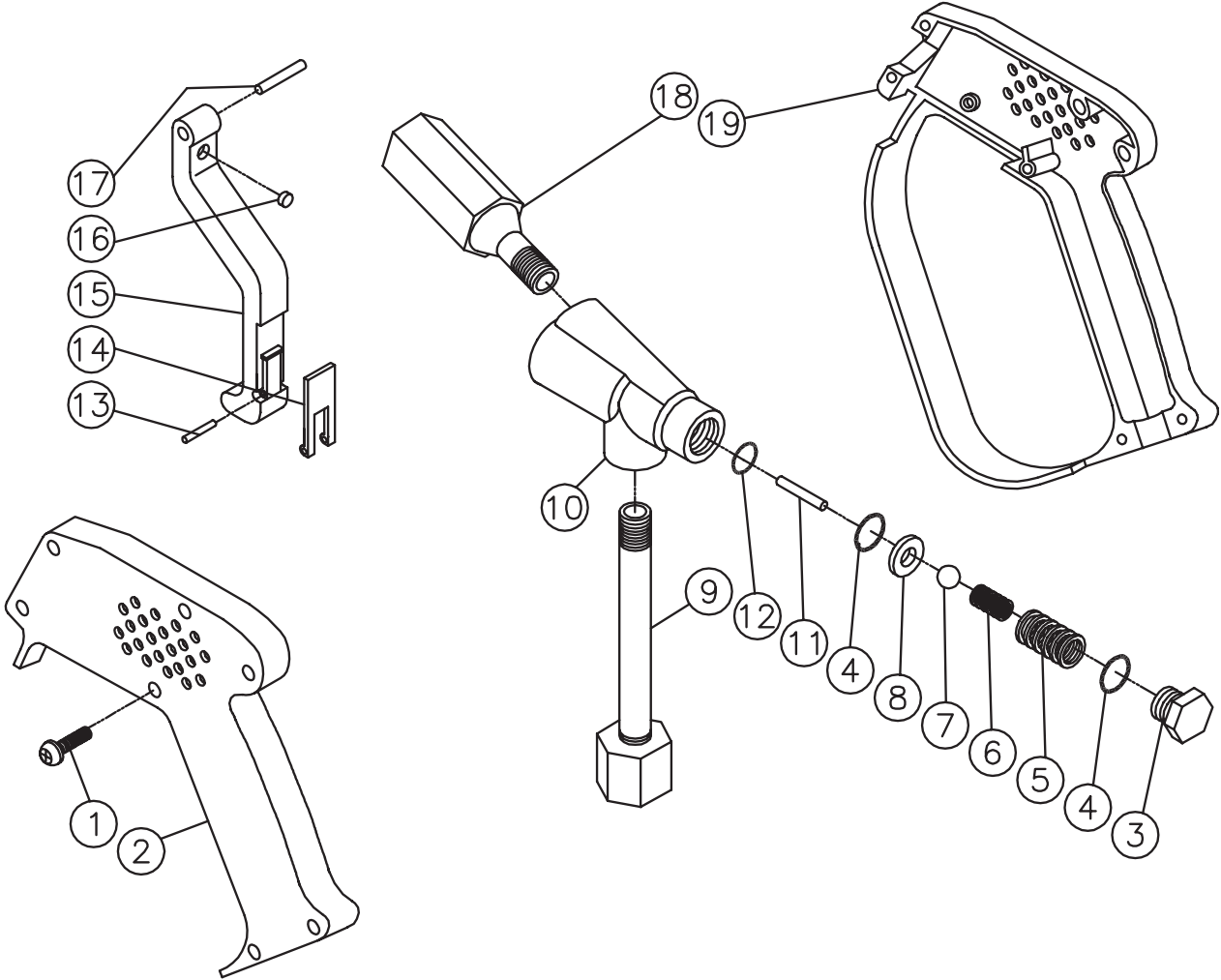


8-0636 103017 JRC

UNLOADER ASSEMBLY				
ITEM	TITLE		PART #	QTY
1	BACK-UP RING	(SEE KIT 70-0688)	25-0704	1
2	O-RING	(SEE KIT 70-0688)	25-0407	2
3	SHUTTER PIN	(SEE KIT 70-0688)	8-0638	1
4	BACK-UP RING	(SEE KIT 70-0688)	25-0706	1
5	O-RING	(SEE KIT 70-0688)	25-0392	1
6	SPACER RING		8-0639	1
7	PIN		8-0640	1
8	PISTON RING		8-0642	1
9	PLUG, LOWER		8-0643	1
10	BACK-UP RING	(SEE KIT 70-0688)	25-0699	1
11	O-RING	(SEE KIT 70-0688)	25-0700	2
12	BACK-UP RING	(SEE KIT 70-0688)	25-0701	1
13	O-RING	(SEE KIT 70-0688)	25-0387	1
14	BACK-UP RING	(SEE KIT 70-0688)	25-0702	1
15	BACK-UP RING	(SEE KIT 70-0688)	25-0705	1
16	O-RING	(SEE KIT 70-0688)	25-0703	1
17	PISTON RING	(SEE KIT 70-0688)	8-0641	1
18	SEAT	(SEE KIT 70-0688)	8-0637	1
19	BACK-UP RING	(SEE KIT 70-0688)	25-0707	2
20	O-RING	(SEE KIT 70-0688)	25-0389	2
21	BACK-UP RING	(SEE KIT 70-0688)	25-0708	1
22	WASHER		8-0654	1
23	SET SCREW		8-0648	1
24	SHUTTER COUPLING		8-0652	1
25	SPRING		8-0651	1
26	SHUTTER		8-0650	1
27	HOUSING		8-0649	1
28	O-RING	(SEE KIT 70-0688)	25-0393	1
29	BACK-UP RING	(SEE KIT 70-0688)	25-0709	1
30	PISTON VALVE		8-0647	1
31	BUSHING	(SEE KIT 70-0688)	8-0646	1
32	PISTON HOLDER		8-0645	1
33	PIN		8-0644	1
34	HEX NUT		30-7203	3
35	WASHER, SPRING HOLDING		8-0653	1
36	SPRING		49-0098	1
37	SEAL FRAME (OPTIONAL)		N/A	1
38	SEAL FRAME (OPTIONAL)		N/A	1

REPLACEMENT KITS		
KIT #	DESCRIPTION	ITEMS
70-0688	REPAIR KIT	1-5, 10-16, 18-21, 28, 29, 31

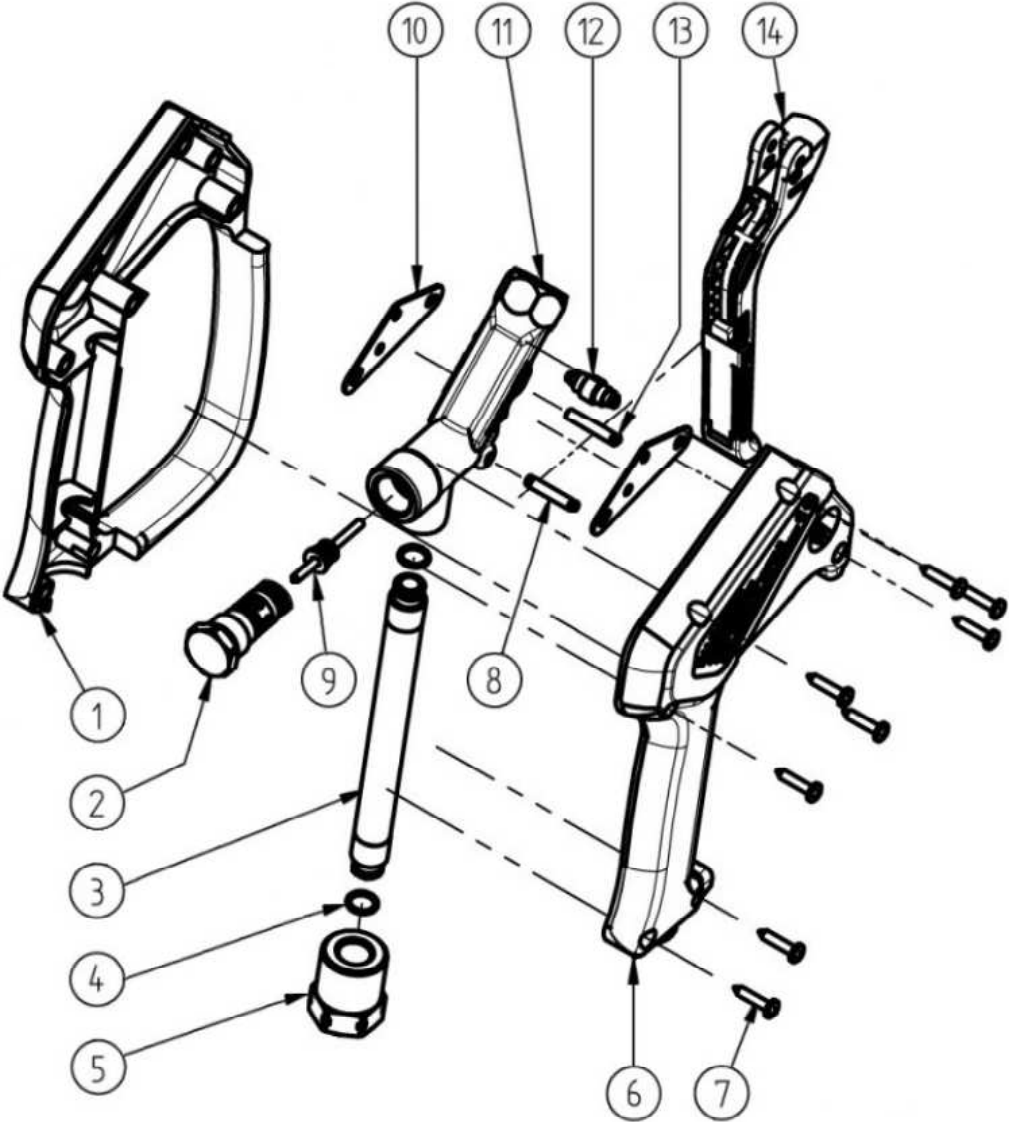
GUN ASSEMBLY (16-0343)



16-0343 101711 AJH

16-0343-101711 AJH								
GUN ASSEMBLY (16-0343)								
REF. #	DESCRIPTION	PART #	QTY.		REF. #	DESCRIPTION	PART #	QTY.
1	Screw	27-8851	7		11	O-ring (See 70-0213)	N/A Sep.	1
2	Housing- Left Side	16-0344	1		12	Control Pin (See 70-0213)	N/A Sep.	1
3	Cap	23-0336	1		13	Lock Pin	43-0025	1
4	O-ring (See 70-0213)	N/A Sep.	2		14	Safety Lock	16-0347	1
5	Spring (See 70-0213)	N/A Sep.	1		15	Trigger	16-0348	1
6	Valve Spring (See 70-0213)	N/A Sep.	1		16	Cam Trigger (See 70-0213)	N/A Sep.	1
7	Valve Ball (See 70-0213)	N/A Sep.	1		17	Pin	43-0024	1
8	Valve Seat (See 70-0213)	N/A Sep.	1		18	Discharge Tube Assembly	16-0349	1
9	Inlet Tube Assembly	16-0345	1		19	Housing- Right Side	16-0350	1
10	Valve Body	N/A	1			Repair Kit (Inc. 4-8, 11-12, 16)	70-0213	

GUN ASSEMBLY (16-0447)

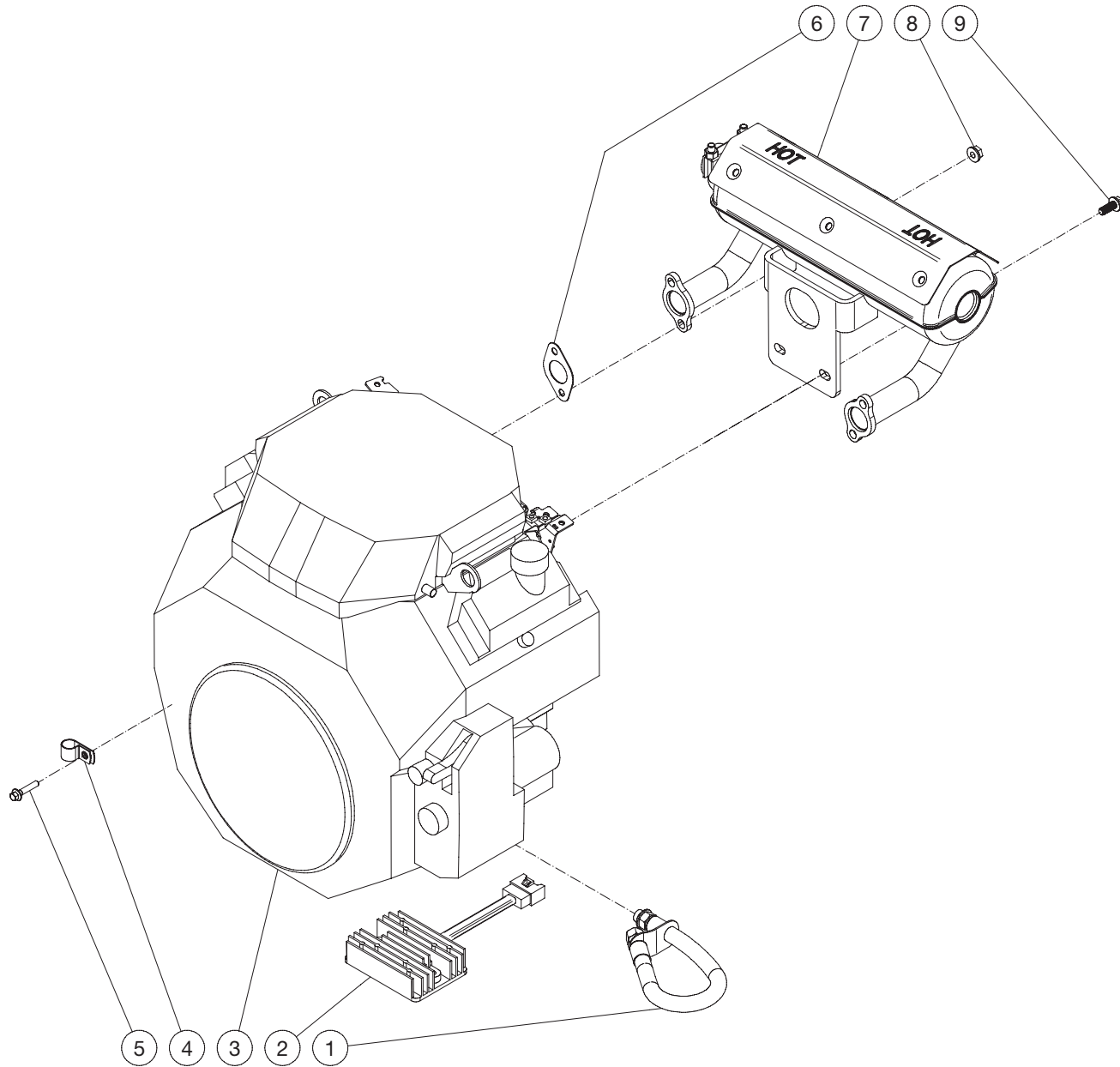


16-0447 052720 JVA

GUN ASSEMBLY

ITEM	DESCRIPTION	PART #	QTY
1	PLASTIC HOUSING WITH HANDLE	16-0486	1
2	VALVE	N/A	1
3	INLET PIPE	16-0490	1
4	O-RING	25-0738	2
5	INLET NUT	16-0491	1
6	PLASTIC HOUSING	16-0487	1
7	SCREW	27-3230	8
8	PIN	16-0492	1
9	PISTON ROD	N/A	1
10	SUPPORT PLATE	16-0489	2
11	HOUSING	16-0488	1
12	PRESSURE ROLLER	16-0495	1
13	TRIGGER AXLE	16-0496	1
14	TRIGGER	16-0497	1
-	REPAIR KIT - INCLUDES ITEMS 2, 9	70-0562	1

HONDA ENGINE ASSEMBLY (851-0385)



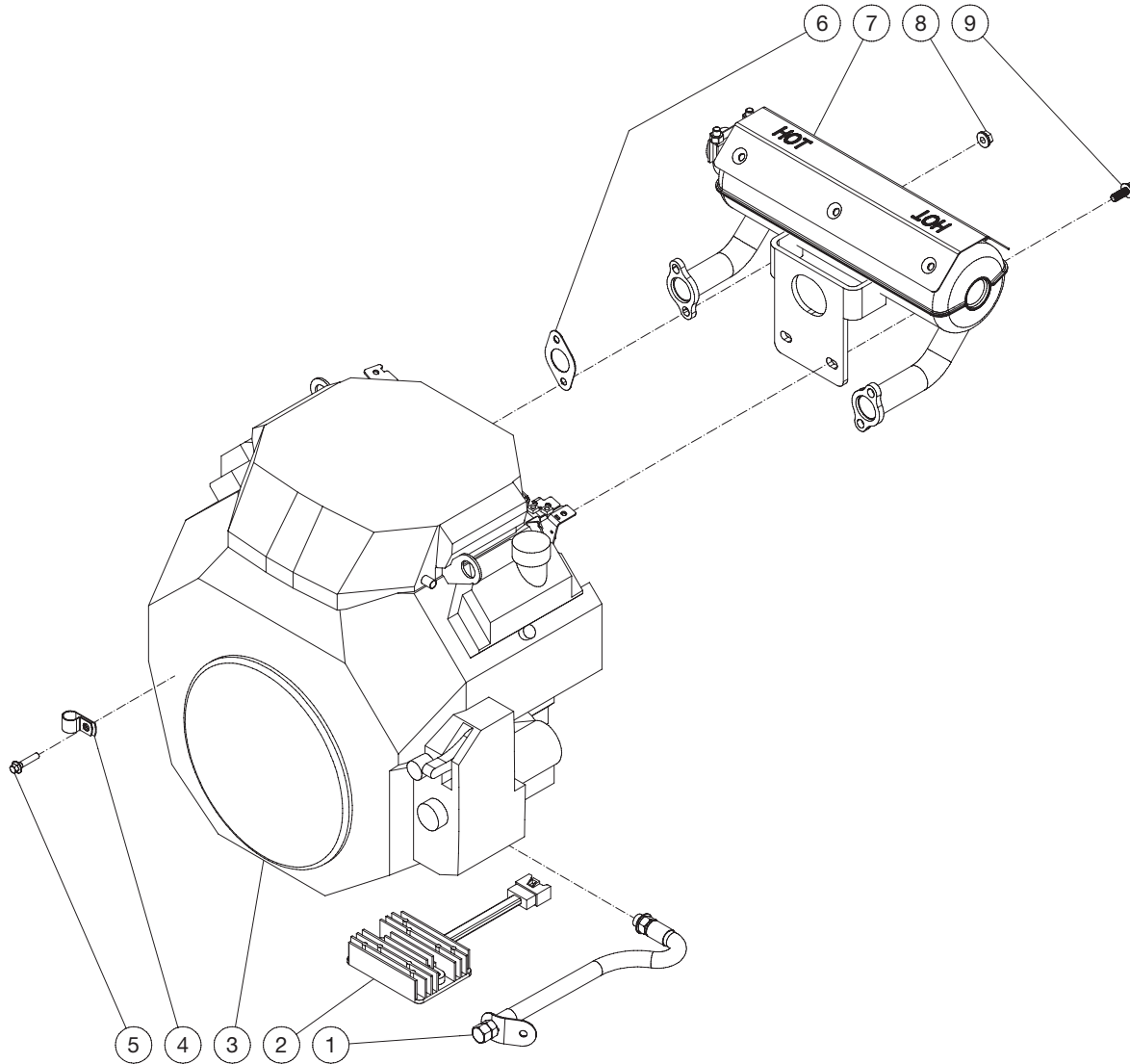
851-0385 011218 JVA

851-0385 011218 JVA

HONDA ENGINE ASSEMBLY

ITEM	DESCRIPTION	PART #	QTY.
1	DRAIN HOSE	70-0555	1
2	RECTIFIER	W/ ENGINE	1
3	ENGINE	1-0184	1
4	HOSE CLIP	33-0517	1
5	BOLT	27-8898	1
6	EXHAUST GASKET	W/ ENGINE	2
7	MUFFLER	45-0819	1
8	NUT	30-3023	4
9	BOLT	27-9524	2

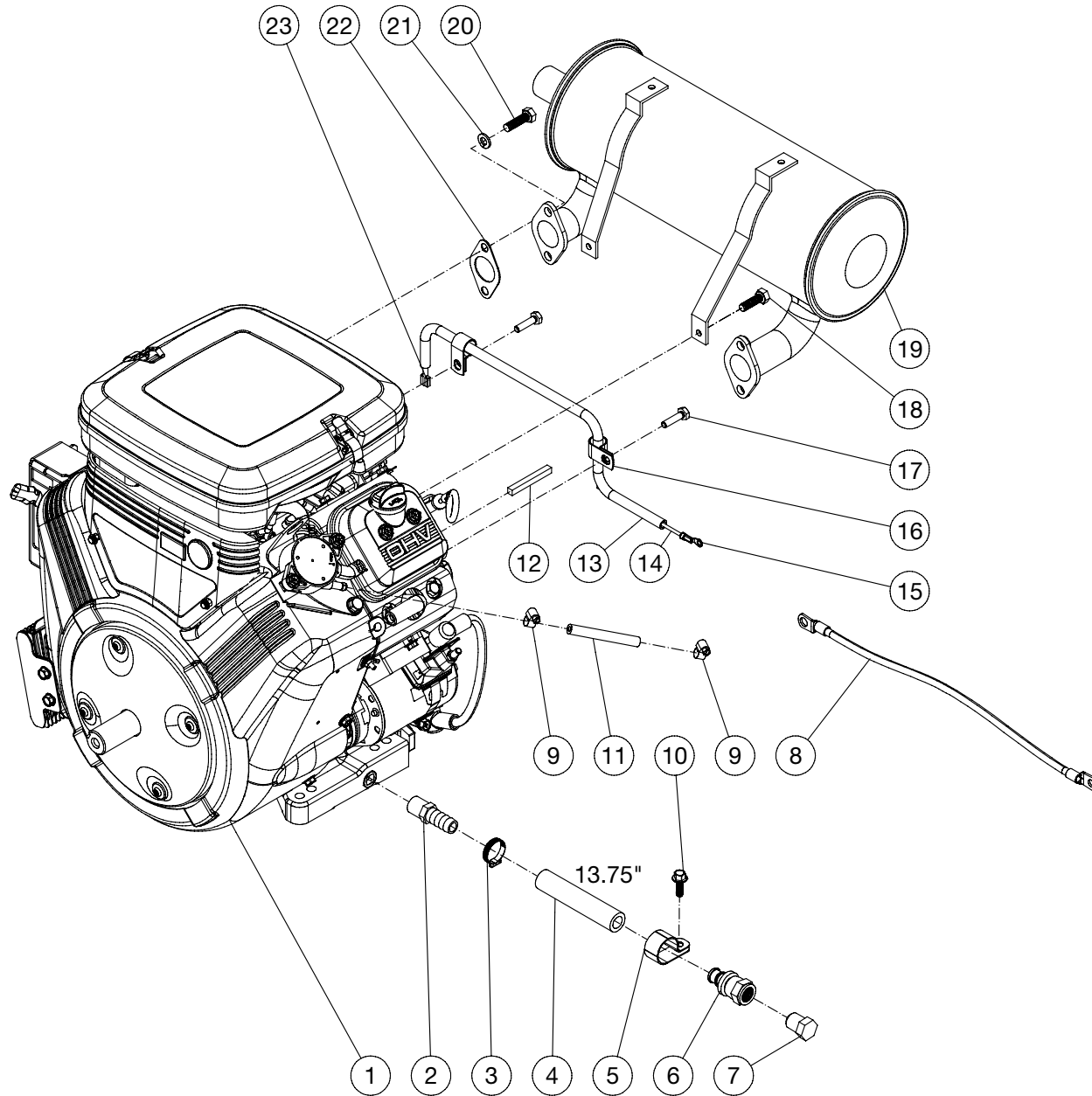
HONDA ENGINE ASSEMBLY (851-0418)



851-0418 011218 JVA

851-0418 011218 JVA			
ENGINE ASSEMBLY			
ITEM	DESCRIPTION	PART #	QTY
1	DRAIN HOSE	70-0555	1
2	RECTIFIER	W/ ENGINE	1
3	ENGINE	1-0234	1
4	HOSE CLIP	33-0517	1
5	BOLT	27-8898	1
6	EXHAUST GASKET	W/ ENGINE	2
7	MUFFLER	45-0819	1
8	NUT	30-3023	4
9	BOLT	27-9524	2

VANGUARD ENGINE ASSEMBLY (851-0433)



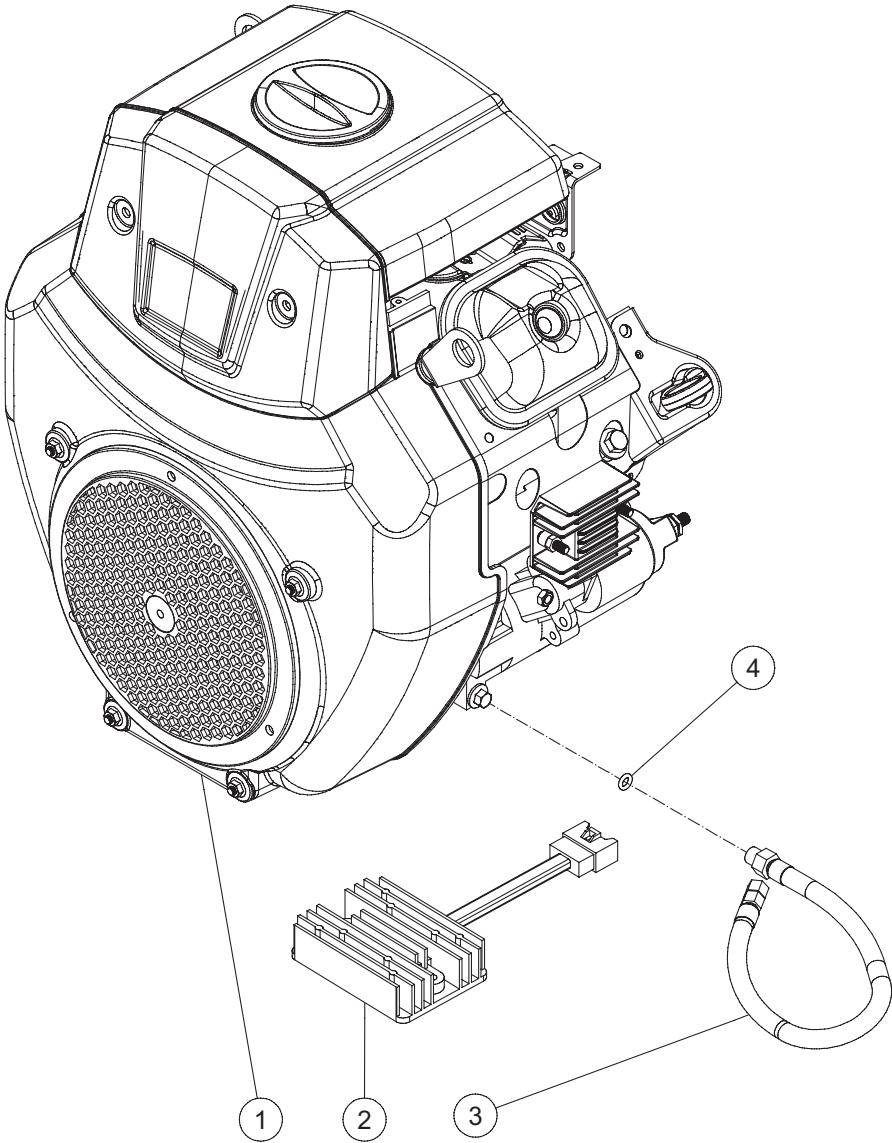
851-0433 052220

©Copyright 2017

EX-1121-012423

ENGINE ASSEMBLY			
ITEM	DESCRIPTION	PART #	QTY
1	ENGINE	1-0130	1
2	HOSE BARB	23-0105	1
3	HOSE CLAMP	42-0011	1
4	HOSE *(TWO FEET REQUIRED)	15-0305	1
5	CLIP	33-0291	1
6	HOSE BARB	23-0360	1
7	PLUG	23-0411	1
8	CABLE	32-9111	1
9	CLAMP WORM	42-0004	2
10	BOLT	27-1200	1
11	FUEL HOSE	15-0261	1
12	KEY	43-0078	1
13	CLEAR PLASTIC *(TWO FEET REQUIRED)	15-0021	1
14	WIRE *(THREE FEET REQUIRED)	32-0092	1
15	TERMINAL	32-0099	1
16	HOSE CLIP	33-0517	2
17	BOLT	N/A	2
18	BOLT	N/A	2
19	MUFFLER	45-0881	1
20	BOLT	N/A	4
21	LOCKWASHER	N/A	4
22	EXHAUST GASKET	N/A	2
23	SPADE TERMINAL	32-0221	1
*MUST ORDER IN ONE FOOT LENGTHS			

MITM ENGINE ASSEMBLY (851-0437)



851-0437 081922

851-0437 081922 CAN			
ENGINE ASSEMBLY			
ITEM	TITLE	PART #	QTY
1	ENGINE - MITM	1-0264	1
2	RECTIFIER	W/ ENGINE	1
3	OIL DRAIN HOSE	70-0358	1
4	O-RING	25-0259	1

