

FL-ABB 200


No. 78.285

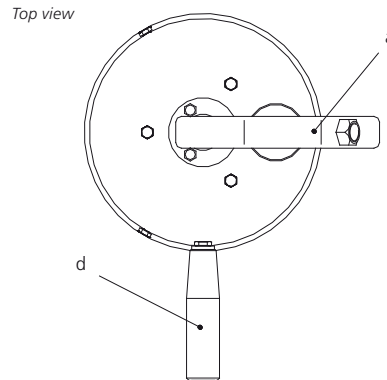
FL-ABK 200

No. 78.286

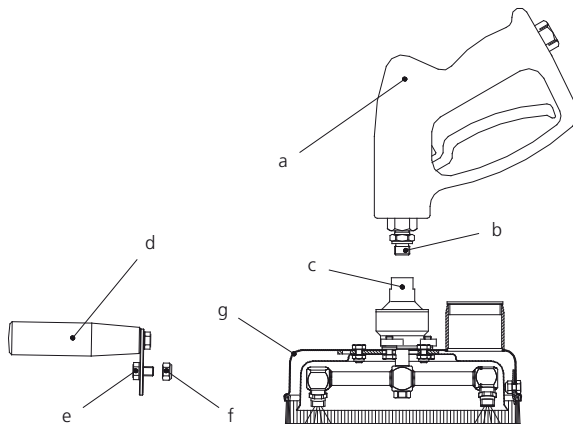
Surface Cleaner with Air Recovery System

Assembly instructions

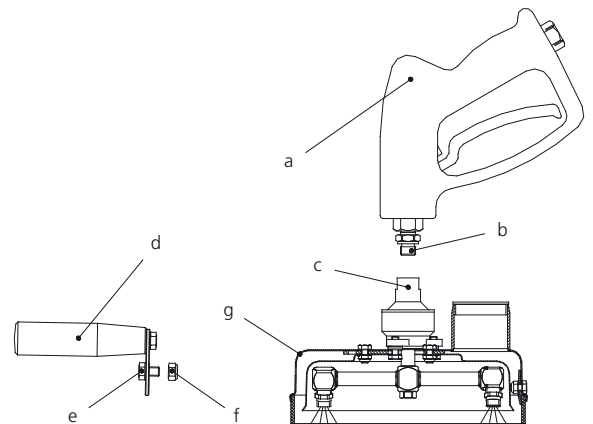
 (This instruction is valid for the base model as well as for the resulting versions)




FL-ABB 200



FL-ABK 200



1. Install the HP-gun (a) with the preinstalled adapter (b) to the swivel (c).
2. Use screw (e) and safety nut (f) to install the handle (d) to the housing (g).

 Note: Install the HP-gun (a) in a 90° angle to the handle (d) (see top view).

For your own safety

- Read all instructions before the initial operation. Check their proper condition and that they operate safely.
- Always use protection gear when using products connected to high pressure.
- Before any maintenance or nozzle-change, turn off the high pressure water supply, e.g.: turn off and secure the power switch.
- After turning off the system, allow all self propelled equipment to come to a complete stop before handling.
- Safety regulations and guidelines (Accident Prevention Rules) from the manufacturer of your high pressure cleaner are applicable.
- Nozzle installation according to nozzle manufacturer.
- Do not move the unit over objects or uneven surfaces.
- Do not lift up the unit while operating.
- Do not run the unit if spray-arm is out of balance or bent, damage to the swivel will result.
- No modifications to the unit are permitted.
- The equipment may be installed and used only by particularly trained technical personnel.

FL-ABB 200

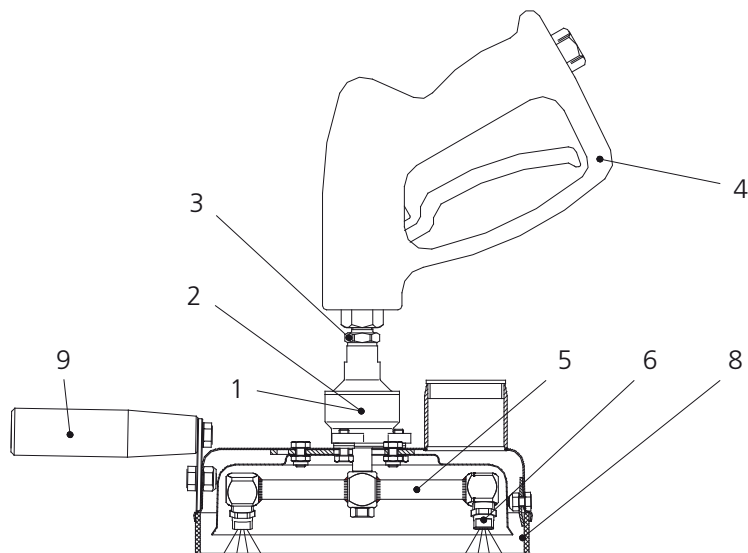
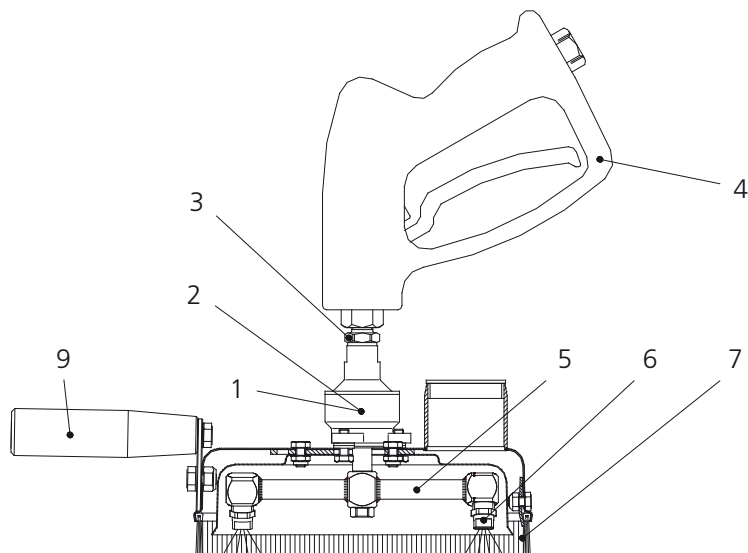
No. 78.285

FL-ABK 200

No. 78.286

Surface Cleaner with Air Recovery System

Spare parts List



Pos.	Part No.	Description
1	55.020	Swivel DYW
2	36.905	Carbide seal-kit
3	51.103	Adapter G1/4"M - 1/4"NM
4	29.081	HP-gun 5000 psi
5	82.321	Turbo-rotor-arm Dia. 6"
6	18.15030	HP-nozzle 1503
7	901.490	Brush ring for Dia. 8"
8	902.387	Plastic band for Dia. 8"
9	78.945	Handle