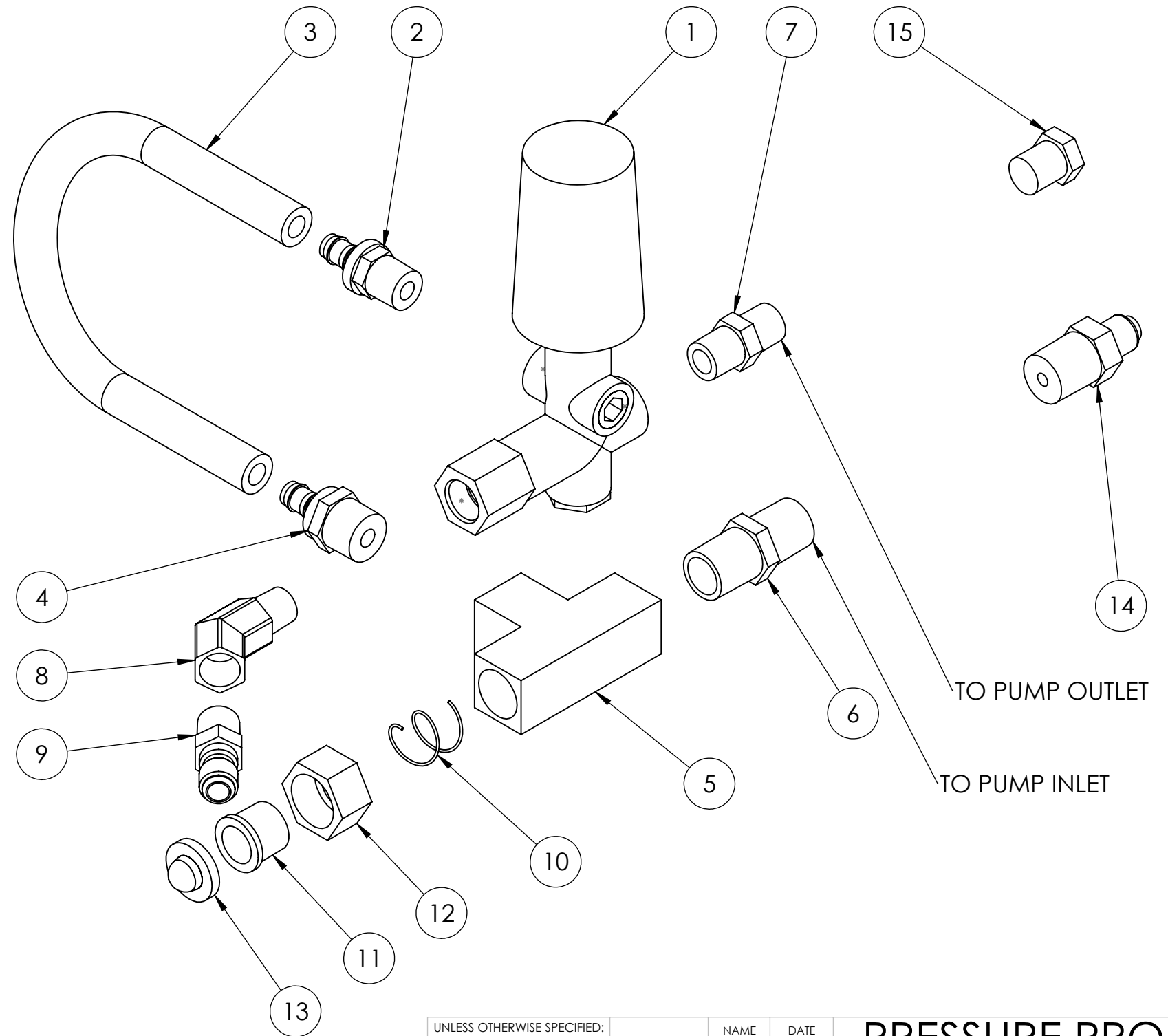


ITEM NO.	PART NUMBER	DESCRIPTION	QTY.
1	PULSAR4KHPEZ	UNLOADER VALVE W/EZ START	1
2	272-06-06	MALE PO HOSE BARB 3/8MPT X 3/8	1
3	3284-2503(1.5 FT)	HOSE, LOC-ON, 3/8", 1.5 FT	1
4	272-06-08	MALE PO HOSE BARB 1/2 MPT X 3/8 HOSE	1
5	3700-08-08-08	T, FEMALE, 1/2"	1
6	3325-08-08	HEX NIPPLE, 1/2"	1
7	5404-06-06	HEX NIPPLE, HP 6MP X 6MP	1
8	5503-06-06	HP ST ELL 45, 3/8F X 3/8M	1
9	D10009	QC PLUG, 3/8 MALE	1
10	720039	SPRING	1
11	510032	GARDEN HOSE ADAPTER, 1/2" NPT-M	1
12	510228	GHA NUT	1
13	700004	GHA WASHER/FILTER	1
14	TRV50	THERMOSENSOR, 1/2 MPT, 140F	1
15	3152-06	PLUG, HEX HEAD, 3/8NPT	1



UNLESS OTHERWISE SPECIFIED:

DIMENSIONS ARE IN INCHES  
 TOLERANCES: ± 0.010  
 FRACTIONAL ± 1/16  
 ANGULAR: MACH ± BEND ± 1°  
 TWO PLACE DECIMAL ± 0.010  
 THREE PLACE DECIMAL ± 0.005

INTERPRET GEOMETRIC TOLERANCING PER:

MATERIAL

FINISH

DO NOT SCALE DRAWING

	NAME	DATE
DRAWN		
CHECKED		
ENG APPR.		
MFG APPR.		
Q.A.		
COMMENTS:		

# PRESSURE PRO

TITLE:

KIT, PLUMBING, CAT 66DX,  
WITH PULSAR

SIZE	DWG. NO.	REV
<b>B</b>	KPL308	
12/12/2013		SHEET 1 OF 1

**PROPRIETARY AND CONFIDENTIAL**  
 THE INFORMATION CONTAINED IN THIS DRAWING IS THE SOLE PROPERTY OF <INSERT COMPANY NAME HERE>. ANY REPRODUCTION IN PART OR AS A WHOLE WITHOUT THE WRITTEN PERMISSION OF <INSERT COMPANY NAME HERE> IS PROHIBITED.