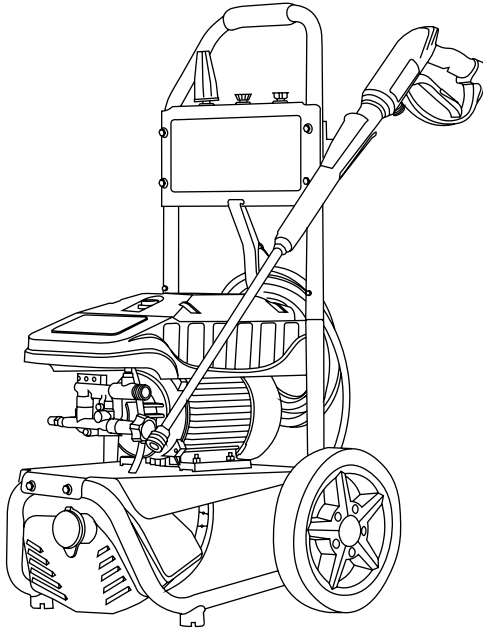




# PRESSURE WASHER

## USE AND CARE MANUAL



### **READ THIS MANUAL CAREFULLY BEFORE OPERATION**

Failure to follow the instructions and safety precautions in this manual can result in property damage, serious injury and/or death.

If your pressure washer is not working or if there are parts missing or broken, please **DO NOT RETURN IT TO THE PLACE OF PURCHASE**. Contact our Customer Service Department by calling **1-877-362-4271** or emailing **[cservice@fna-group.com](mailto:cservice@fna-group.com)**

### **SAVE THIS MANUAL FOR FUTURE REFERENCE**

**NOTE: Photographs and line drawings used in this manual are for reference only and may not represent your specific model.**

# NOTES

---

---

**THIS PAGE WAS INTENTIONALLY LEFT BLANK**

## SAVE THIS MANUAL FOR FUTURE USE

Keep this manual for future reference. This manual should be considered a permanent part of the product and stay with it. This manual should be available to anyone operating the product(s) it covers. This manual should remain with the product(s) it covers if sold to a new owner. If the manual becomes damaged, lost, or otherwise unusable, you may download a new copy from the product pages at [www.simpsoncleaning.com](http://www.simpsoncleaning.com) or contact customer support by calling 1-877-362-4271.

Write down the model number, serial number, and purchase date of this product in the spaces provided below then keep this manual with the purchase receipt(s) for future reference.

Model Number: \_\_\_\_\_

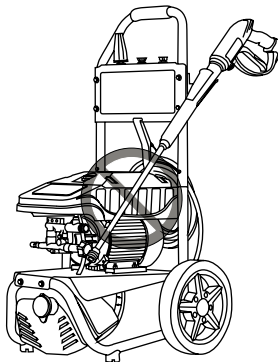
Serial Number: \_\_\_\_\_

Purchase Date: \_\_\_\_\_



### OPERATOR SAFETY

Lifting the pressure washer by the plastic motor cover can result in damage to the machine and potential injury. To avoid damaging the pressure washer, be sure to lift the pressure washer by grasping the metal frame.



## DISCLAIMERS

- All information in this publication was based on the latest product information available at the time of printing. The FNA Group reserves the right to update, change, and/ improve the product and this document at any time, without notice, and without incurring any obligation.
- This manual may cover more than one machine. The pictures and figures in the manual should be used for reference only. There may be differences between your product and the pictures, drawings, and diagrams in this manual.

# TABLE OF CONTENTS

---

---

<b>DISCLAIMERS</b>	<b>1</b>
<b>SAFETY INSTRUCTIONS</b>	<b>4</b>
Read this Manual Before Operating	4
Additional Instructions	4
Hazard Alert Symbols	4
<b>PERSONAL PROTECTIVE EQUIPMENT</b>	<b>6</b>
<b>UNPACKING</b>	<b>7</b>
<b>ASSEMBLY</b>	<b>7</b>
Install the Wheels	7
Install Button-style Handle	7
Assemble the Spray Gun	8
Organize Accessories	8
<b>COMPONENT LOCATION</b>	<b>9</b>
<b>CONNECTING HOSES</b>	<b>11</b>
<b>PURGING AIR FROM THE PUMP</b>	<b>12</b>
<b>NOZZLES</b>	<b>13</b>
Nozzle Selection	13
Nozzle Installation	13
<b>OPERATING CHECKLIST</b>	<b>14</b>
Location	14
Operating Conditions	14

<b>STARTING THE PRESSURE WASHER</b>	<b>15</b>
<b>SHUTTING OFF THE PRESSURE WASHER</b>	<b>17</b>
<b>USING CHEMICALS</b>	<b>18</b>
<b>OPERATION TIPS</b>	<b>19</b>
Terms	19
Preparation	19
Pressure Washing	19
<b>TROUBLESHOOTING</b>	<b>20</b>
<b>MAINTENANCE</b>	<b>22</b>
Maintenance	22
Cleaning the Pressure Washer	22
Connections	22
Nozzle Cleaning	23
Water Inlet Filter	23
Pump Maintenance	24
<b>STORING THE PRESSURE WASHER</b>	<b>24</b>
<b>USING SIMPSON® PUMP GUARD</b>	<b>25</b>
<b>WARRANTY</b>	<b>26</b>

# SAFETY INSTRUCTIONS



## READ THIS MANUAL BEFORE OPERATING

This manual contains important safety information and instructions. **Do not** operate this product until you have read, and completely understand all safety, operation, and maintenance instructions listed in this manual. Failure to follow the information contained in this manual will result in property damage, injury, and/or death.

**NOTE:** The warnings and precautions discussed in this manual cannot cover all conditions and situations that may occur. The operator must understand awareness and caution are factors which cannot be built into this product and so must be exercised by the operator.



## ADDITIONAL INSTRUCTIONS

Along with this manual, be sure to read any additional instructions provided both on and with the product, attached equipment, accessories, and the unit powering the product. Pay careful attention to all additional safety rules and instructions on proper startup, operation, and shutdown procedures. Always use any recommended protective apparel that may be needed to operate the equipment safely.



## HAZARD ALERT SYMBOLS

Be sure to understand the safety symbols and definitions listed below. Each symbol contains one of four words: **DANGER**, **WARNING**, **CAUTION**, **NOTICE**, indicating different levels of hazard severity. These symbols are used throughout this manual and are followed by information about a specific hazard, the consequences of the hazard, and instructions on how to avoid the hazard. Failure to heed these symbols and follow the instructions provided with them will result in property damage, injury, and/or death.



### **DANGER:**

Indicates an imminently dangerous situation, which if not avoided, will result in property damage, serious injury, and/or death.



### **WARNING:**

Indicates a potentially hazardous situation, which if not avoided, could result in property damage, serious injury, and/or death.



### **CAUTION:**

Indicates a hazardous situation, which if not avoided, could result in property damage and/or minor to moderate injury.

### **NOTICE**

Indicates information considered important, but not directly hazard related.



## CALIFORNIA PROPOSITION 65 WARNING

This product and the engine exhaust can expose you to chemicals which are known to the state of California to cause cancer, birth defects, or other reproductive harm. For more information on California Proposition 65, go to [www.P65Warnings.ca.gov](http://www.P65Warnings.ca.gov).



## **! WARNING:**

### OPERATOR SAFETY

Failure to read and follow the operator's manual and all of its instructions before using the product could result in DEATH or SERIOUS INJURY. Read this manual carefully and become familiar with your electric pressure washer. Know its applications, its limitations and any hazards involved.



## **! DANGER:**

### ELECTROCUTION HAZARD

Improper connection of the equipment grounding conductor can result in the risk of electrocution. Check with a qualified electrician if you are in doubt as to whether the receptacle is properly grounded. DO NOT modify the plug provided with this product. If it will not fit the receptacle, have a proper receptacle installed by a qualified electrician. DO NOT use any type of adapter with this product.



## **! CAUTION:**

### POWER SUPPLY

This pressure washer shall only be used with a dedicated receptacle/plug rated 120vAC, 60 Hz at 15 -or- 20 amperes. Any other appliances on the circuit should be turned off or unplugged when using the pressure washer. Never use the pressure washer with an adapter that may lead to higher voltage or excessive current. Excessive current may trip circuit breaker. Consult a qualified electrician if unsure of the desired power supply receptacle's ability to safely power this pressure washer.

**IT IS NOT RECOMMENDED TO USE AN EXTENSION CORD.** If, however, an extension cord is required, it must be an **OUTDOOR RATED 3-PRONG CORD**, that is no longer than 50 feet (15M) and has a minimum of 14 AWG (2.5mm<sup>2</sup>) conductors. Always uncoil the extension cord when in use. **DO NOT** use an extension cord that has its ground pin damaged or missing.

# **NOTICE**

This appliance is not intended to be used by persons (including children) with reduced physical, sensory, or mental capabilities, or lack of experience and knowledge, unless they have been given supervision or instruction concerning use of the appliance by a person responsible for their safety.

Children should be supervised to ensure that they do not play with the appliance.

### **Ground Fault Circuit Interrupter Protection**

This pressure washer is provided with a ground fault circuit interrupter (GFCI) built into the plug of the power supply cord. This device provides additional protection from the risk of electric shock.

Should replacement of the plug or cord becomes necessary, use only identical replacement parts that include GFCI protection.

### **Grounding Instructions**

This pressure washer must be grounded. If it should malfunction or breakdown, grounding provides a path of least resistance for electric current to reduce the risk of electric shock. This product is equipped with a cord that contains an equipment grounding conductor and a grounding plug. The plug must be connected to an appropriate receptacle that is properly installed and grounded in accordance with all local codes and ordinances.

### **Motor Overload**

The electric motor in this pressure washer is equipped with an thermal overload protection device. This device will automatically shut off the motor if the motor overheats or draws too excessive current. If the overload protection is tripped, turn the power off by turning the master ON/OFF switch to the OFF (0) position. Let the unit cool for thirty (30) minutes. After the unit has cooled, turn the master ON/OFF switch to the ON (I) position to resume operation.

### **Thermal Relief Valve**

When the temperature inside the pump rises to a predetermined setting, this valve will open allowing the hot water to exit and cool water to enter, cooling the pump. The value will then close.

---

## **PERSONAL PROTECTIVE EQUIPMENT (PPE)**

---

It is important to understand what personal protective equipment (PPE) should be utilized when using your pressure washer. Below is a list of PPE items that should be utilized at all times when using the pressure washer.

Hearing - Ear plugs or muffs to protect your hearing.

Vision - Safety glasses or goggles to protect your eyes.

Clothing - Long pants to protected your legs from flying debris.

Shoes - Shoes that fully cover your feet to protect against debris and over spray.



# UNPACKING

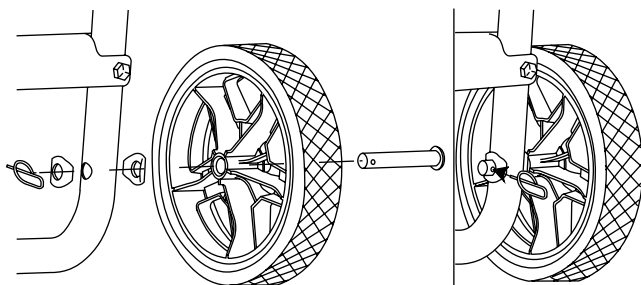
Follow the steps outlined in this section to unpack and assemble your pressure washer. If you have any questions regarding the unpacking or assembly of your pressure washer, please have your model number and serial number ready, then contact customer support at 1-877-362-4271 or email [cservice@fna-group.com](mailto:cservice@fna-group.com).

1. Place the shipping carton on a solid, flat surface.
2. Carefully cut the top of the carton open.
3. Carefully cut each corner of the carton from top to bottom.
4. Lay each side of the carton flat on the ground.
5. Remove everything from the carton.

# ASSEMBLY

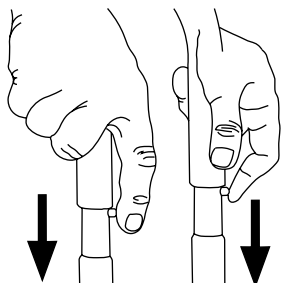
## 1. Install the wheels.

Slide the axle pin through the wheel, formed washer, frame and other formed washer. Slide clip through the hole in the axle pin to secure the wheel in place. Repeats steps for the second wheel.

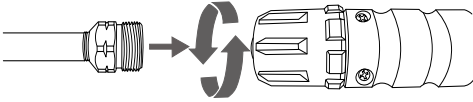


## 2. Install the handle.

Place the handle onto the frame, depress the snap buttons and slide the handle assembly onto the frame until the snap buttons snap into place locking the handle to the frame.



## Assemble the spray gun

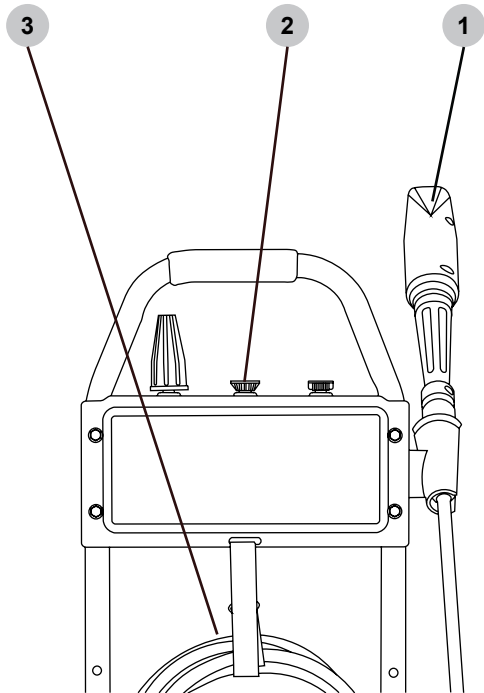


1. Secure the lance to the gun by carefully turning the coupler on the spray gun until the coupler stops rotating. Do not over tighten. Most of the threads on the lance will not be visible if the lance and gun are properly assembled. Be careful not to cross-thread the gun and lance.

**WARNING!** The threads on the lance and gun coupler can be easily cross threaded resulting in an improper assembly. An improper assembly of the gun and lance can result in personal injury. Do not use if the threads on the gun coupler and or lance are cross threaded.

## Organize accessories

1. Place the spray gun and lance assembly into the holder on the dashboard.
2. Push the nozzles into the rubber grommets on the dashboard. Note: the dashboard label indicates correct nozzle placement.
3. Hang the high-pressure hose with the strap holder.



**WARNING:**

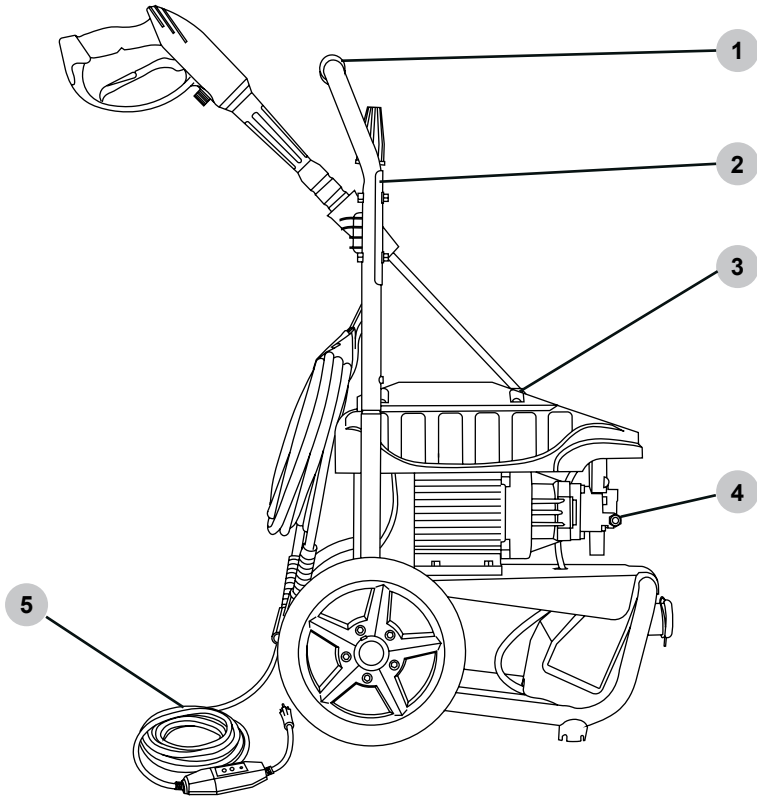
### OPERATING CHECKLIST

Attempting to start or use the pressure washer incorrectly can result in motor and/or pressure washer damage, and may cause serious injury or death. To avoid these hazards, be sure to read, understand, and follow the steps outlined in the OPERATING CHECKLIST section of the owner's manual before beginning, and follow all the guidelines for proper use of the pressure washer.

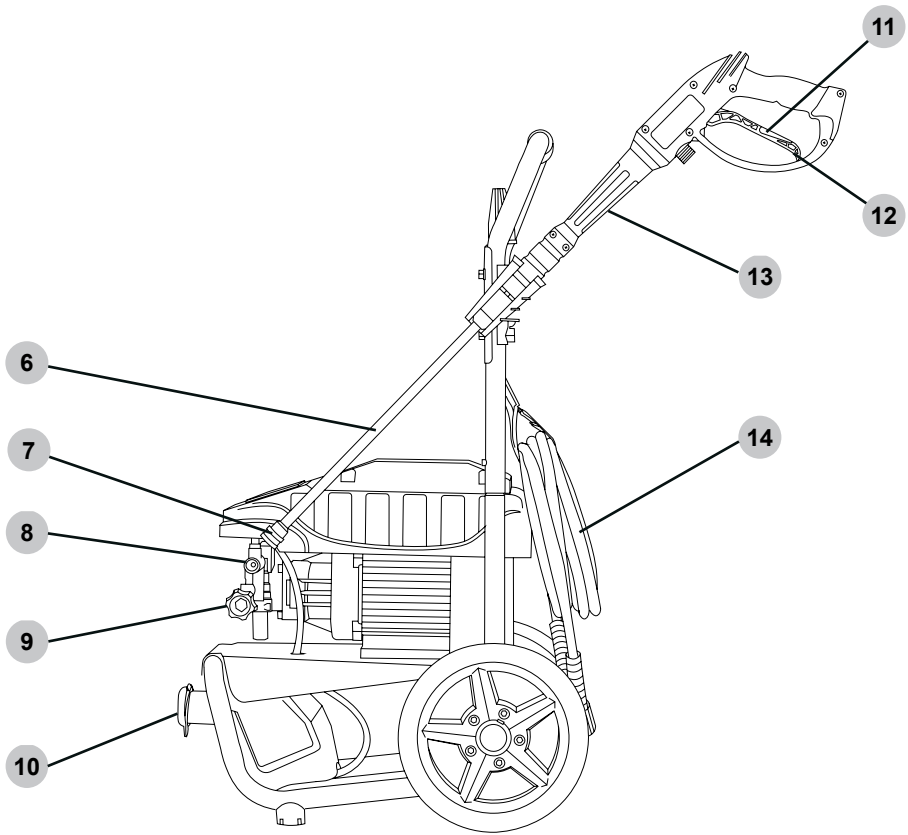
# COMPONENT LOCATION

---

---



1. Handle
2. Accessory storage
3. Master ON/OFF switch
4. Thermal relief valve
5. Power supply cord with integrated GFCI

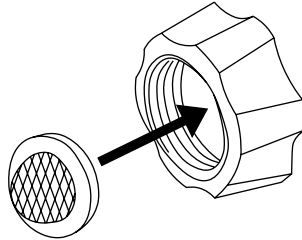


- 6. Spray wand
- 7. Spray wand quick connector
- 8. High-pressure pump outlet
- 9. Garden hose coupler & water inlet filter
- 10. Detergent tank
- 11. Spray gun trigger lock
- 12. Spray gun trigger
- 13. Spray gun
- 14. High-pressure hose

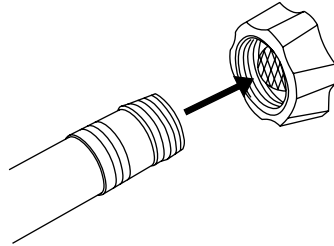
# CONNECTING HOSES

Before connecting a water supply hose, be sure the water supply is capable of providing an uninterrupted source of clean, cold water at a minimum rate of 5 gallons per minute (GPM) and 20 pounds per square inch (PSI) of pressure. Once a proper water supply is secured, follow the instructions below to connect both the water supply and high-pressure hoses to the pressure washer.

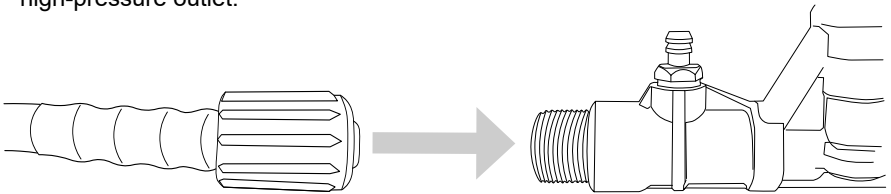
1. Verify the inlet screen is free of any dirt or debris and is in place with the convex side facing out.



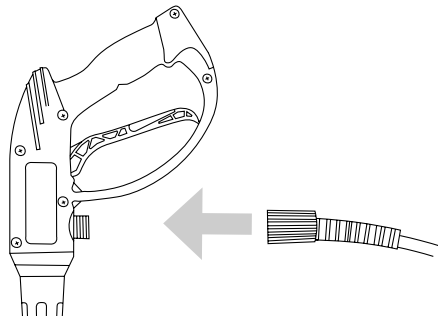
2. Turn on the water supply and run for 30 seconds to purge any debris from the supply hose. Then, turn off the water supply and thread the water supply hose into the pump inlet.



3. Thread the high-pressure hose connector onto the pump high-pressure outlet.



4. Thread the high-pressure hose connector onto the spray gun.



# PURGING AIR FROM THE PUMP



## **NOTICE**

### **PUMP PURGING**

Running a pressure washer pump without water will severely damage the pump seals and other internal components. To avoid this hazard, make sure your water supply is uninterrupted and at least 5 GPM at 20 PSI, and always purge the air your pressure washer pump before starting the engine.



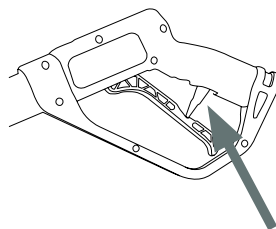
## **! WARNING:**

### **INJECTION INJURY**

The high pressures created by a pressure washer can cause fluid injection injuries, severe lacerations, amputations, and / or death. To avoid these hazards, always aim the spray gun and lance in a safe direction when using the pressure washer and never attempt to touch a leak in a high-pressure hose or fitting.

A pressure washer pump is designed to operate with water flowing through it. Water lubricates and cools the internal components of the pump. Running a pressure washer pump without water will severely damage the pump seals and other internal components. Damage caused by running a pressure washer pump without water is not covered under warranty. Be sure to follow the instructions below to correctly purge the air from your pressure washer pump before starting the engine.

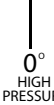




1. Connect all the hoses by following the steps outlined in the **CONNECTING HOSES** section of this manual then turn on the cold water source.
2. Aim the spray gun in a safe direction then squeeze and hold the trigger for at least 30 seconds or until the water runs steady and all the air is purged from the pump and hoses.
3. Check hoses and connections for leaks. If leaks are found, turn off the machine, aim the spray gun in a safe direction and squeeze the trigger to relive any built up pressure in the system. Never attempt to touch a leak in a high-pressure hose or fitting. Never attempt to repair a high-pressure hose.
4. Engage the trigger lock.



# NOZZLES

## Nozzle Selection

The nozzles supplied with the pressure washer have specific spray patterns designed to clean different surfaces. Using the incorrect nozzle can damage surfaces. Refer to the table below to select the correct nozzle before using the pressure washer. **NOTE:** The selection of nozzles included may vary with pressure washer models.

Color	5-N-1 (if equipped)	Spray Pattern	Uses	Surfaces
Red	 0° HIGH PRESSURE	0°	Spot cleaning hard, unpainted surfaces and high-reach areas	Unpainted metal and concrete  DO NOT use on wood.
Yellow	 15° HIGH PRESSURE	15°	Intense cleaning of unpainted surfaces	Grills, driveways, concrete and brick walkways, unpainted brick and stucco
Green	 25° HIGH PRESSURE	25°	Standard cleaning nozzle for most applications	Yard tools, sidewalks, lawn furniture, unpainted siding, stucco, gutters, eaves, concrete, and brick surfaces
White	 40° HIGH PRESSURE	40°	Cleaning painted or delicate surfaces	Auto, truck, RV, marine, wood, painted brick, painted stucco, vinyl, and painted siding
Black	 SOAP LOW PRESSURE	Soap	Applies cleaning solutions	Safe on all surfaces. Always verify compatibility of cleaning solution(s) prior to use.



## NOTICE

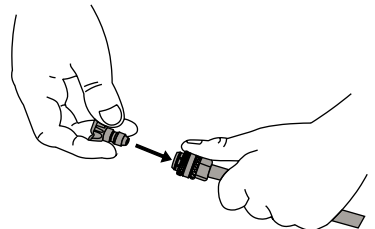
### SPRAY DAMAGE

High-pressure spray can damage plants and other surfaces. To avoid causing damage, cover plants before spraying near them, refer to the Nozzle Selection table in this manual for correct nozzle selection, and test surfaces before spraying to make sure they are strong enough to withstand high-pressure spray.

## Nozzle Installation

Make sure the trigger lock is in the locked position before removing and installing nozzles.

To place a nozzle into the spray wand, pull the quick-connect coupler back, insert the nozzle, then release the coupler allowing it to snap back in place. Once installed, pull on the nozzle to make sure it secure.



# OPERATING CHECKLIST

## Location

**IT IS NOT RECOMMENDED TO USE AN EXTENSION CORD.** If, however, an extension cord is required, it must be an **OUTDOOR RATED 3-PRONG CORD**, that is no longer than 50 feet (15M) and has a minimum of 14 AWG (2.5mm<sup>2</sup>) conductors. Always uncoil the extension cord when in use. **DO NOT** use an extension cord that has its ground pin damaged or missing.

## Operating Conditions

Before each use, check for loose or damaged parts, leaks, and/or any other condition that may affect proper operation. Repair or replace all damaged and/or defective parts immediately. Always keep all safety guards in place and in proper working order. For safety reasons, the manufacturer recommends all maintenance and repairs be performed by an authorized service center.

Before using the pressure washer, remove any excessive dirt and debris from the cooling vents of the motor. Always operate the pressure washer on a level surface and never move or tip the pressure washer while operating. Use the pressure washer only for its intended purpose. If you have questions about the proper use of your pressure washer, please contact customer support at 1-877-362-4271 or [cservice@fna-group.com](mailto:cservice@fna-group.com).



### UNTRAINED OPERATION

Untrained adults and children can be seriously injured or killed if allowed to incorrectly operate or play with running pressure washer. To avoid these hazards, be sure anyone operating the pressure washer receives proper instructions, understands safe operation, and has read the owner's manual before operating this product. Do not let children operate the pressure washer without parental supervision. Keep children and pets away from the pressure washer while it is running. Always turn off the pressure washer before leaving the area.



### INSPECT BEFORE OPERATING

Failure to inspect this product before use could create a hazardous situation resulting in product damage, serious injury, and/or death. To avoid these hazards, inspect the pressure washer before each use. Check for loose or damaged parts, signs of oil leaks, missing guards, plugged cooling vents, or any other condition that may affect proper operation. Repair or replace all damaged or defective parts and keep all safety guards in place and in proper working order before using the pressure washer.





## **! WARNING:** INJECTION INJURY

The high pressures created by a pressure washer can cause fluid injection injuries, severe lacerations, amputations, and / or death. To avoid these hazards, always aim the spray gun and lance in a safe direction when using the pressure washer and never attempt to touch a leak in a high-pressure hose or fitting.

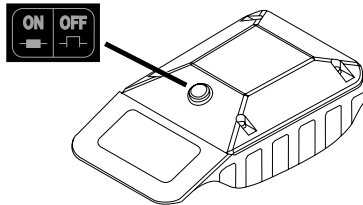


## **! WARNING:** MOVING PARTS

This product has many parts that move at high speeds. Moving parts can cause crushing injuries, broken bones, severe lacerations, and/or traumatic amputations. To prevent injury, never place fingers, hands, feet, or other body parts near running engine. Never operate product with covers, shrouds, or other guards removed. Do not wear loose-fitting clothing, dangling drawstrings, or any other hanging items that could become entangled in moving parts while operating. Tie up long hair and remove jewelry before operating.

# STARTING THE PRESSURE WASHER

1. Connect the hoses as instructed on Page 11.
2. Turn on the water and purge the system of air as instructed on Page 12.
3. Insert the desired nozzle as instructed on Page 13.
4. Make sure the master ON/OFF switch is in the OFF (0) position.

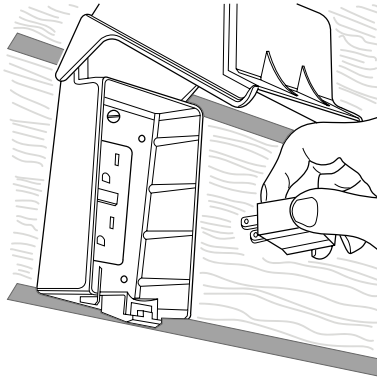


## **! CAUTION:** POWER SUPPLY

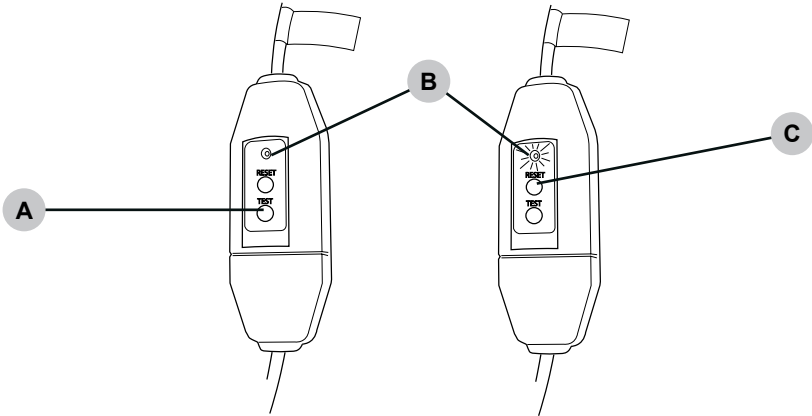
This pressure washer shall only be used with a dedicated receptacle/plug rated 120vAC, 60 Hz at 15 -or- 20 amperes. Any other appliances on the circuit should be turned off or unplugged when using the pressure washer. Never use the pressure washer with an adapter that may lead to higher voltage or excessive current. Excessive current may trip circuit breaker. Consult a qualified electrician if unsure of the desired power supply receptacle's ability to safely power this pressure washer.

**IT IS NOT RECOMMENDED TO USE AN EXTENSION CORD.** If, however, an extension cord is required, it must be an **OUTDOOR RATED 3-PRONG CORD**, that is no longer than 50 feet (15M) and has a minimum of 14 AWG (2.5mm<sup>2</sup>) conductors. Always uncoil the extension cord when in use. **DO NOT** use an extension cord that has its ground pin damaged or missing.

5. Plug the electrical power cord into a grounded receptacle rated for 120 volts AC at 15 amperes that was properly installed in accordance with all local codes and ordinances. The indicator light on the GFCI should be illuminated (ON).



6. Press the TEST button (A). The indicator light (B) should now be dark (OFF).



7. Press the RESET button (C). The indicator light (B) will now be illuminated (ON).  
**NOTICE** - DO NOT use the pressure washer if the above test fails.
8. Press the master ON/OFF button on the pressure washer to the ON (I) position.
9. Point the gun in a safe direction, open the trigger lock and squeeze the trigger. The electric pressure washer motor will start as the spray gun trigger is depressed and will continue to run even when released.

# SHUTTING OFF THE PRESSURE WASHER

---

---



## **NOTICE**

### **PUMP DAMAGE**

Turning off the water supply to your pump with the motor running will damage the pump. Damage caused by running the pump without water is not covered under warranty. To avoid this hazard always turn off the motor before shutting off the water supply.

1. Set the trigger lock on the spray gun.
2. Press the master ON/OFF button on the pressure washer to the OFF (0) position.
3. Turn off the water supply.
4. Release the trigger lock then squeeze the spray gun trigger to relieve the pressure in the hose and pump.
5. Allow the pressure washer to cool completely before handling and storage.

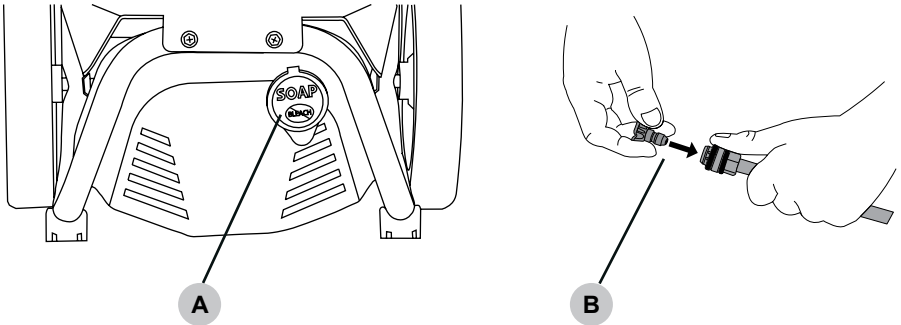
# USING CHEMICALS



## NOTICE

### VOLATILE LIQUIDS

Pressure washing with volatile, flammable, or corrosive liquids could cause pressure washer damage, fire, or explosion resulting in severe injury and/or death. To avoid these hazards, use only approved soaps and chemicals, do not attempt to pressure wash with volatile, flammable, or corrosive liquids, and NEVER use bleach.



1. Fill the detergent tank (A) with a pressure washer safe cleaning detergent.
2. Insert the black, soap nozzle (B) into the wand.
3. Make sure all hoses are connected, the water source is turned on and the air has been purged from the system.
4. Turn the pressure washer ON.
5. Apply detergent to a dry surface, starting at the lowest portion of area to be washed and work upward using long, even, overlapping strokes.
6. Allow detergent to sit on the surface for 3 - 5 minutes before washing and rinsing. Reapply as needed to prevent the surface from drying. Do not allow the detergent to dry.
7. Once detergent has been applied to the surfaces, remove the soap nozzle.
8. Using the proper high-pressure nozzle, rinse the surface starting at the top and make your way downward.

NOTE - You must flush the detergent system when you have completed your cleaning job. Fill the tank with fresh water, then using the soap nozzle, run the system for two minutes until all signs of soap and foam are no longer coming from the nozzle. Failure to properly flush the detergent system may lead to a clogged detergent filter, detergent hose and even pump damage. A few minutes of time can save you much trouble the next time you use your pressure washer.

# OPERATION TIPS

---

---

## Terms

- PSI – Stands for pounds per square inch and measures the water pressure or stripping power produced by the pressure washer. The higher the PSI number, the greater the pressure and stripping power produced.
  - GPM – Stands for gallons per minute and measures the flow rate of the water. The higher the GPM, the greater the flow or rinsing power produced.
  - CU – stands for cleaning units.  $PSI \times GPM = CU$ . Measures performance efficiency of the pressure washer. Generally, the higher the CU, the more powerful and efficient the machine is.
- 

## Preparation

- Read all warnings and instructions in this and all other manuals that came with the pressure washer.
  - Remove all toys, bikes, lawn furniture, etc. from the work area if they should not be sprayed.
  - Sweep any loose dirt and debris from the surface you will be pressure washing.
  - Cover nearby plants to avoid damaging them with pressure washer spray.
  - Lay tarps down to collect paint chips and other debris that get blown off by spray. Exterior surfaces of houses built before 1977 may produce lead paint chips that will have to be collected and properly disposed of at a hazardous waste facility.
  - Cover or avoid spraying windows as high-pressure spray can break them.
- 

## Pressure Washing

- A wider spray equals faster cleaning, while tighter spray equals deeper cleaning.
  - Do not aim the nozzle straight at a surface. Hold the wand at a 45-degree angle to the surface at a distance that cleans well without causing damage.
  - Keep the nozzle about 4-feet away from siding to prevent damage to surfaces.
  - Start washing siding at the bottom and work your way up, then rinse from the top down.
  - Avoid driving water up behind siding.
  - Use overlapping strokes for even cleaning.
  - Work in smaller areas and do not let soap dry on surfaces.
-

# TROUBLE SHOOTING

Issue	Possible Cause	Solution
Pressure washer will not start or circuit breaker trips.	The power supply cord is not connected.	Plug the cord into a 120 volt, 15 ampere receptacle.
	The house circuit breaker is tripped.	Reset the circuit breaker.
	The GFCI equipped receptacle (if applicable) is tripped.	Reset the GFCI by pushing the RESET button.
	The GFCI in the power supply cord is tripped.	Reset the GFCI by pushing the RESET button.
	The master ON/OFF switch is in the OFF position.	Move the switch to the ON position.
	The thermal switch within the electric motor has tripped due to overheating.	Turn the master ON/OFF switch to the OFF position. Allow the unit to cool for 30 minutes before trying the pressure washer once again.
	The pressure washer is connected to a receptacle/plug that is shared by other devices within the circuit.	Remove all other devices from the circuit.
	The pressure washer is connected to a circuit using an extension cord.	Remove the extension cord. Plug the power cord from the pressure washer directly into a 120 volt, 15 ampere receptacle. See POWER SUPPLY, page 5.
The pressure washer creates low or no water spray pressure.	There is air in the hoses and/or pump.	Refer to the PRIMING THE PUMP section of this manual to remove air from pump and hoses.
	The water supply is insufficient.	Make sure the water supply pressure is at least 5 gpm @ 20 PSI.
	The nozzle is clogged.	Clean nozzle per the MAINTENANCE section of this manual.
	The water inlet screen is clogged.	Clean the water inlet screen per the MAINTENANCE section of this manual.

<b>Issue</b>	<b>Possible Cause</b>	<b>Solution</b>
Detergent fails to mix with the spray.	Transparent tube is clogged or cracked.	Clean or replace the transparent tube.
	Transparent tube is not attached to the pump.	Attach the transparent tube to the detergent connector on the pump.
	Incorrect nozzle used.	Install the black soap nozzle on the wand.
	Detergent too thick.	Add water to the detergent to make it the consistency of water.

# MAINTENANCE

For safety reasons, the manufacturer recommends all pressure washer service and repairs be performed by an authorized service center. All warranty replacements or repairs must be performed by an authorized distribution or service center. To find an authorized service center near you, make a warranty claim, or get authorized warranty repair, call 1-877-362-4271 or email [cservice@fna-group.com](mailto:cservice@fna-group.com).

It is the responsibility of the owner and/or operator to have all scheduled maintenance completed before operating the pressure washer. Be sure to follow the inspection and maintenance recommendations as listed in all the manuals that came with this unit.

## Maintenance

Before each use, check pressure washer for leaks, loose or damaged parts, and any other condition that may affect proper operation. Be sure all safety guards are in place and in proper working order. Inspect all air vents and cooling slots to ensure they are clean and unobstructed. Repair or replace all damaged or defective parts immediately. For safety reasons, the manufacturer recommends all pressure washer service and repairs be performed by an authorized service center.

## Cleaning the Pressure Washer

Always clean the pressure washer with the engine off and cool. To clean the pressure washer, first use an air compressor set at no more than 25 PSI to clear dirt and debris from the pressure washer surfaces, vents, and cooling slots. Then, wipe the exterior clean with a damp cloth.



### **NOTICE**

#### **CLEANING**

Water can damage the pressure washer engine components if allowed to enter through cooling slots or other holes. Damage caused by water intrusion is not covered under warranty. To avoid engine water damage, do not use a pressure washer, garden hose, or any other sources of running water to clean the pressure washer engine, and never submerge the pressure washer engine in any liquids.



### **NOTICE**

#### **CHEMICAL CLEANERS**

Using chemical cleaners and/or corrosive liquids can damage the pressure washer seals and internal components. Damage caused by chemical cleaners and corrosive liquids is not covered under warranty. To avoid these hazard, only used approved cleaning chemicals, never use bleach, and always run clean water through the pressure washer after using cleaning chemicals.

## Connections

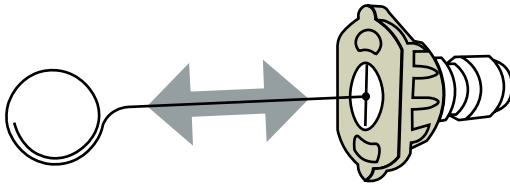
Hose, spray gun, and pump connections should be cleaned and lubricated with a thin film of lithium grease regularly to prevent o-ring damage and leaks.



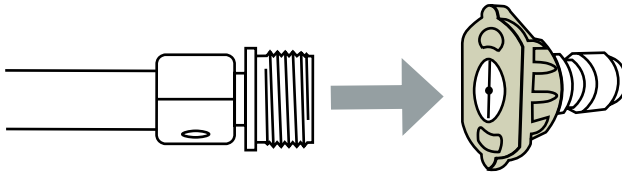
## Nozzle Cleaning

If a nozzle becomes clogged, the pump may pulsate and spray patterns could change. If the nozzle is not cleaned, excessive pressure may develop possibly damaging the pump, or other accessories. Inspect nozzles before using them and follow the instructions in this section for the proper nozzle cleaning procedure.

1. Shut off the pressure washer.
2. Turn off the water supply.
3. Point the spray gun in a safe direction and squeeze the trigger to relieve water pressure.
4. Set the trigger lock.
5. Remove the nozzle from the lance quick connector.
6. Clear any obstructions from the nozzle by inserting the nozzle cleaning tool provided.



- 
7. Rinse any loose debris from the nozzle by directing a running garden hose into the output of the nozzle for at least 30 seconds.

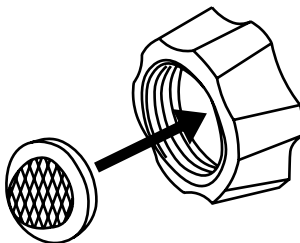


---

## Water Inlet Filter

Before each use, check the inlet filter and clean by following the steps below. Never operate the pressure washer without the inlet filter properly installed.

1. Remove the filter from the garden hose coupler.
2. Use a water from a running garden hose to clean both sides of the filter.
3. Insert the cleaned filter into the pump inlet with the convex side facing out.



## Pump Maintenance

The pump on this unit is a maintenance free design. The pump was filled with oil at the factory and has no oil drain or fill plugs. If there is a problem with the pump on this pressure washer call 1-877-362-4271 or email [cservice@fna-group.com](mailto:cservice@fna-group.com).

---

# STORING THE PRESSURE WASHER

---

1. Turn OFF the pressure washer and disconnect the electrical cord.
2. Squeeze the trigger to release any stored pressure.
3. Disconnect the high-pressure hose from the pump and the gun.
4. Hold the spray gun in a vertical plane; squeeze trigger to remove trapped water.
5. Remove trapped water from the high-pressure hose; coil for storage.
6. Protect the pump by using SIMPSON® Pump Guard per the USING PUMP GUARD section of this manual.
7. Store the pressure washer and its accessories in a cool, dry location out of direct sunlight.

# USING SIMPSON® PUMP GUARD



## **NOTICE**

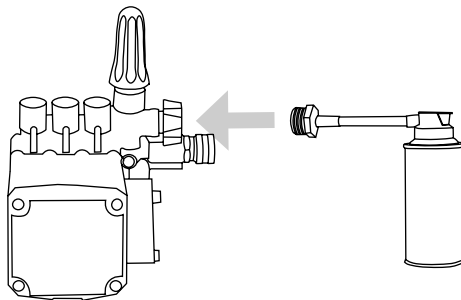
### **PUMP DAMAGE**

Leaving water inside the pump during freezing weather will cause severe damage to the pump. To avoid costly damage, always treat the pump with SIMPSON® Pump Guard to remove the trapped water and to fill the pump with a lubricating, antifreeze solution.

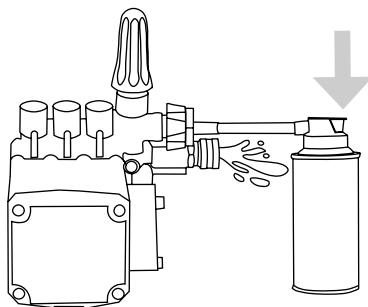
SIMPSON® Pump Guard (purchase separately) is formulated to protect your pump during long-term storage and from freezing damage. Pump Guard should be used throughout the season to keep the seals pliable and well lubricated. Before storing the unit for winter or for when there is a chance of freezing weather, use pump guard to remove all traces of water from the internal cavities while filling them with an antifreeze solution. Pump Guard is insurance for your investment, use it.

Simply use Pump Guard by following these easy steps:

1. Screw the Pump Guard adapter into the garden hose input on the pump.



2. Press and hold down on the button until all the water and the Pump Guard starts to come out of the high pressure port.



3. Unscrew the Pump Guard from the pump then prepare the pressure washer for storage as outlined in STORAGE AND TRANSPORTATION.

# LIMITED WARRANTY

## Consumer Products

### WARRANTY COVERAGE TERMS:

The manufacturer of this product agrees to repair or replace designated parts that prove defective within the warranty period listed below at the manufacturer's sole discretion. Specific limitations/extensions and exclusions apply.

This warranty covers defects in material and workmanship and not parts failure due to normal wear, depreciation, abuse, accidental damage, negligence, improper use, maintenance, water quality and storage. To make a claim under the terms of the warranty, all parts said to be defective must be retained and available for return upon request to a designated Warranty Service Center for warranty inspection. The judgments and decisions of the manufacturer concerning warranty claims are final.

These warranties pass through to the end user and are non-transferable. As a factory authorized and trained Warranty Service Center, the factory will honor the terms of all component warranties and satisfy claims of the appropriate warranty provisions.

Normal wear items included, but are not limited to, items such as valve and seals, which are not covered by this warranty.

This warranty replaces all warranties, express or implied, including without limitation any warranties of merchantability or fitness for a particular purpose and all such warranties are hereby disclaimed and excluded by the manufacturer. The manufacturer's warranty obligation is limited to repair and replacement of defective products as provided herein and the manufacturer shall not be liable for any further loss, damages, or expenses - including damages from shipping, accident, abuse, acts of God, misuse, or neglect. Neither is damage from repairs using parts not purchased from the manufacturer or alterations performed by non-factory authorized personnel. Failure to install and operate equipment according to the guidelines put forth in the instruction manual shall void warranty.

### THIS WARRANTY DOES NOT COVER:

Merchandise sold as reconditioned, used as rental equipment, used for commercial or commercial applications, and units used as floor or display models, damage resulting from shipping (claims must be filed with freighter), accident, abuse, acts of God, misuse or neglect. This warranty also does not cover damage from repairs or alterations performed by non-factory authorized personnel or failure to install and operate equipment according to the guidelines put forth in the instruction manual. The manufacturer will not be liable to any persons for consequential damage, for personal injury or for commercial loss.

### RESPONSIBILITY OF ORIGINAL PURCHASER (INITIAL USER):

To process a warranty claim on your SIMPSON® pressure washer, report the concern to 1-877-362-4271 or [cservice@fna-group.com](mailto:cservice@fna-group.com) for authorization and direction to the nearest authorized service center in your area.

Retain original cash register receipt as proof of purchase for warranty work.

Use reasonable care in the operation and maintenance of the product as described in the Owner's Manual.

### WHAT THIS WARRANTY DOES NOT COVER:

- Freight damage
- Damage due to chemical deterioration, scale build up, rust, corrosion or thermal expansion
- Freeze damage
- Damage caused by parts or accessories not obtained from an authorized dealer or not approved by the manufacturer
- Normal wear of moving parts or components affected by moving parts

### WARRANTY COVERAGE PERIODS:

#### ELECTRIC MOTOR (DEFECTS IN MATERIAL AND WORKMANSHIP)

- ONE (1) year from date of purchase

#### HIGH PRESSURE PUMP (DEFECTS IN MATERIAL AND WORKMANSHIP)

- ONE (1) year from date of purchase

#### FRAME (DEFECTS IN MATERIAL AND WORKMANSHIP)

- ONE (1) year from date of purchase

#### ACCESSORIES (DEFECTS IN MATERIAL AND WORKMANSHIP)

- Nozzles, hoses, spray guns, wands, tires, rubber feet: Ninety (90) days from date of purchase

# NOTES

---

---

**THIS PAGE WAS INTENTIONALLY LEFT BLANK**

**THIS PAGE WAS INTENTIONALLY LEFT BLANK**





**READ THIS MANUAL CAREFULLY BEFORE OPERATION**

Failure to follow the instructions and safety precautions in this manual can result in property damage, serious injury and/or death.

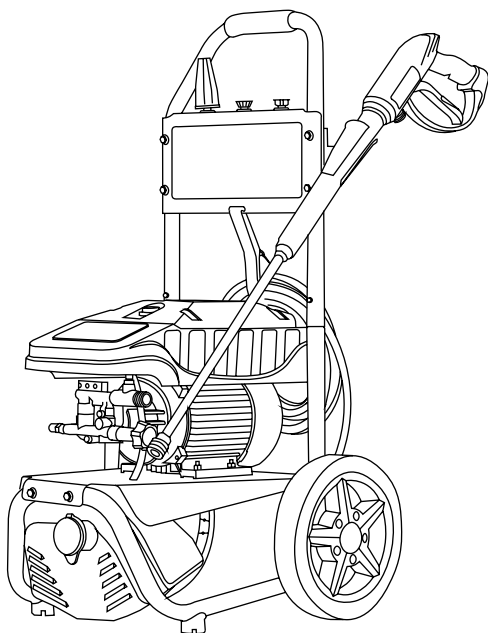
**SAVE THIS MANUAL FOR FUTURE REFERENCE**





# LAVEUR SOUS PRESSION

## GUIDE D'UTILISATION ET D'ENTRETIEN



### LIRE ATTENTIVEMENT CE GUIDE AVANT L'UTILISATION

Le fait de ne pas suivre les instructions et les précautions de sécurité de ce guide peut entraîner des dommages matériels, des blessures graves et/ou la mort.

Si le laveur sous pression ne fonctionne pas ou si des pièces sont manquantes ou endommagées, veuillez **NE PAS LE RETOURNER AU LIEU D'ACHAT**. Contactez notre service à la clientèle par téléphone au **1 877 362-4271** ou par courriel à **[cservice@fna-group.com](mailto:cservice@fna-group.com)**

### CONSERVEZ CE GUIDE POUR RÉFÉRENCE ULTÉRIEURE

**REMARQUE** : Les photographies et les schémas utilisés dans ce guide sont donnés à titre indicatif uniquement et peuvent ne pas représenter votre modèle spécifique.

# REMARQUES

---

---

**CETTE PAGE A ÉTÉ INTENTIONNELLEMENT LAISSÉE BLANCHE**

## CONSERVER CE GUIDE POUR UNE UTILISATION ULTÉRIEURE

Conservez ce guide pour toute référence ultérieure. Ce guide doit être considéré comme faisant partie intégrante du produit et doit être conservé avec celui-ci. Ce guide doit être mis à la disposition de toute personne utilisant le(s) produit(s) qu'il couvre. Ce guide doit être conservé avec le(s) produit(s) concerné(s) en cas de vente à un nouveau propriétaire. Si le guide est endommagé, perdu ou inutilisable, vous pouvez télécharger une nouvelle copie à partir des pages du produit à l'adresse [www.simpsoncleaning.com](http://www.simpsoncleaning.com) ou contacter le service clientèle en appelant le 1 877 362-4271.

Notez le numéro de modèle, le numéro de série et la date d'achat de ce produit dans les espaces prévus ci-dessous, puis conservez ce guide avec le(s) reçu(s) d'achat pour toute référence ultérieure.

Numéro de modèle : \_\_\_\_\_

Numéro de série : \_\_\_\_\_

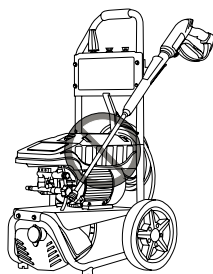
Date d'achat : \_\_\_\_\_



**ATTENTION:**

**OPERATOR SAFETY**

Le fait de soulever le nettoyeur haute pression par le couvercle en plastique du moteur peut endommager la machine et entraîner des blessures. Pour éviter d'endommager le nettoyeur haute pression, assurez-vous de soulever le nettoyeur haute pression en saisissant le cadre métallique.



## CLAUSES DE NON-RESPONSABILITÉ

- Tous les renseignements dans cette publication sont basés sur les derniers renseignements disponibles sur le produit au moment de l'impression. Le groupe FNA se réserve le droit de mettre à jour, de modifier et/ou d'améliorer le produit et ce document à tout moment, sans préavis et sans encourir aucune obligation.
- Ce guide peut concerner plusieurs machines. Les images et les figures du guide ne doivent être utilisées qu'à titre de référence. Il peut y avoir des différences entre votre produit et les images, les schémas et les diagrammes de ce guide.

# TABLE DES MATIÈRES

---

---

<b>CLAUSES DE NON-RESPONSABILITÉ</b>	<b>1</b>
<b>INSTRUCTIONS DE SÉCURITÉ</b>	<b>4</b>
Lire ce guide avant l'utilisation	4
Instructions supplémentaires	4
Symboles d'alerte de danger	4
<b>ÉQUIPEMENT DE PROTECTION INDIVIDUELLE</b>	<b>6</b>
<b>DÉBALLAGE</b>	<b>7</b>
<b>ASSEMBLAGE</b>	<b>7</b>
Installer les roues	7
Installer la poignée	7
Assembler le pistolet de pulvérisation	8
Organiser les accessoires	8
<b>EMPLACEMENT DES COMPOSANTS</b>	<b>9</b>
<b>RACCORDEMENT DES TUYAUX</b>	<b>11</b>
<b>PURGER L'AIR DE LA POMPE</b>	<b>12</b>
<b>BUSES</b>	<b>13</b>
Sélection de la buse	13
Installation de la buse	13
<b>LISTE DE CONTRÔLE DE FONCTIONNEMENT</b>	<b>14</b>
Emplacement	14
Conditions de fonctionnement	14
<b>MISE EN MARCHÉ DU NETTOYEUR HAUTE PRESSION</b>	<b>15</b>
<b>ARRÊT DU NETTOYEUR HAUTE PRESSION</b>	<b>17</b>

**UTILISATION DE PRODUITS CHIMIQUES 18**

**CONSEILS D'UTILISATION 19**

Termes	19
Préparation	19
Lavage sous pression	19

**DÉPANNAGE 20**

**ENTRETIEN 21**

Entretien	21
Nettoyage du laveur sous pression	21
Raccords	22
Nettoyage des buses	22
Filtre d'entrée d'eau	23
Entretien de la pompe	23

**RANGEMENT DU NETTOYEUR HAUTE PRESSION 24**

**UTILISATION DE LA PROTECTION DE POMPE SIMPSON® 25**

**GARANTIE 26**



**AVERTISSEMENT DE LA PROPOSITION 65 DE LA CALIFORNIE**

Ce produit et les gaz d'échappement du moteur peuvent vous exposer à des produits chimiques connus dans l'État de Californie pour provoquer des cancers, des anomalies congénitales ou d'autres problèmes de reproduction. Pour plus d'informations sur la proposition 65 de l'État de Californie, consultez le site [www.P65Warnings.ca.gov](http://www.P65Warnings.ca.gov).

# INSTRUCTIONS DE SÉCURITÉ



## LIRE CE GUIDE AVANT L'UTILISATION

Ce guide contient des informations et des instructions de sécurité importantes. **N'utilisez pas** ce produit avant d'avoir lu et compris toutes les instructions de sécurité, d'utilisation et d'entretien figurant dans ce guide. Le fait de ne pas suivre les instructions et les précautions de sécurité de ce guide peut entraîner des dommages matériels, des blessures graves et/ou la mort.

**REMARQUE** : Les avertissements et les précautions abordés dans ce guide ne peuvent pas couvrir toutes les conditions et situations pouvant se produire. L'utilisateur doit comprendre que la sensibilisation et la prudence sont des facteurs qui ne peuvent pas être intégrés à ce produit et qu'ils doivent donc être exercés par l'utilisateur.



## INSTRUCTIONS SUPPLÉMENTAIRES

En plus de ce guide, lisez attentivement toutes les instructions supplémentaires fournies sur et avec le produit, l'équipement annexe, les accessoires et le moteur qui alimente le produit. Portez une attention particulière à toutes les règles de sécurité supplémentaires et aux instructions concernant les procédures de démarrage, d'utilisation et d'arrêt. Utilisez toujours les vêtements de protection recommandés qui peuvent être nécessaires pour utiliser l'équipement en toute sécurité.



## SYMBOLES D'ALERTE DE DANGER

Veillez à bien comprendre les symboles de sécurité et les définitions énumérés ci-dessous. Chaque symbole contient l'un des quatre mots suivants : **DANGER**, **AVERTISSEMENT**, **ATTENTION**, **AVIS**, indiquant différents niveaux de risque. Ces symboles sont utilisés tout au long de ce guide et sont suivis d'informations sur un danger précis, les conséquences de ce danger et des instructions sur la façon d'éviter ce danger. Si vous ne tenez pas compte de ces symboles et ne suivez pas les instructions qui leur sont fournies, vous risquez de subir des dommages matériels, des blessures et/ou la mort.

 **DANGER:**

Indique une situation dangereuse imminente qui, si elle n'est pas évitée, entraînera des dommages matériels, des blessures graves et/ou la mort.

 **AVERTISSEMENT:**

Indique une situation potentiellement dangereuse qui, si elle n'est pas évitée, peut entraîner des dommages matériels, des blessures graves et/ou la mort.

 **ATTENTION:**

Indique une situation dangereuse qui, si elle n'est pas évitée, peut entraîner des dommages matériels et/ou des blessures légères à modérées.

**AVIS**

Indique des informations considérées comme importantes, mais qui ne sont pas directement liées au danger.



**AVERTISSEMENT:**

**SÉCURITÉ DE L'OPÉRATEUR**

Le fait de ne pas lire et suivre le manuel de l'opérateur et toutes ses instructions avant d'utiliser le produit peut entraîner la MORT ou des BLESSURES GRAVES. Lisez attentivement ce manuel et devenez un échec avec votre nettoyeur haute pression électrique. Connaître ses applications, ses limites et les risques encourus.



**DANGER:**

**RISQUE D'ÉLECTROCUTION**

Une connexion incorrecte du conducteur de mise à la terre de l'équipement peut entraîner un risque d'électrocution. Vérifiez auprès d'un électricien qualifié si vous n'êtes pas certain que la prise est correctement mise à la terre. NE PAS modifier la fiche fournie avec ce produit. S'il ne rentre pas dans la prise, faites installer une prise appropriée par un électricien qualifié. N'UTILISEZ AUCUN type d'adaptateur avec ce produit.



**ATTENTION:**

**SOURCE DE COURANT**

Ce nettoyeur haute pression ne doit être utilisé qu'avec une prise/fiche dédiée de 120 VCA, 60 Hz à 15 ou 20 ampères. Tous les autres appareils du circuit doivent être éteints ou débranchés lors de l'utilisation du nettoyeur haute pression. N'utilisez jamais le nettoyeur haute pression avec un adaptateur qui peut entraîner une tension plus élevée ou un courant excessif. Un courant excessif peut déclencher le disjoncteur. Consultez un électricien qualifié si vous n'êtes pas sûr de la capacité de la prise d'alimentation électrique souhaitée à alimenter en toute sécurité ce nettoyeur haute pression.

**IL N'EST PAS RECOMMANDÉ D'UTILISER UNE RALLONGE.** Si, toutefois, une rallonge est requise, il doit s'agir d'un **CORDON À 3 BROCHES POUR L'EXTÉRIEUR**, d'une longueur maximale de 50 pieds (15 m) et d'un minimum de conducteurs de 14 AWG (2,5 mm<sup>2</sup>). Déroulez toujours la rallonge lorsque vous l'utilisez. **N'UTILISEZ PAS** une rallonge dont la broche de mise à la terre est endommagée ou manquante.

**AVIS**

Cet appareil n'est pas destiné à être utilisé par des personnes (y compris des enfants) dont les capacités physiques, sensorielles ou mentales sont réduites ou qui manquent d'expérience et de connaissances, à moins qu'elles n'aient bénéficié d'une surveillance ou de formation concernant l'utilisation de l'appareil de la part d'une personne responsable de leur sécurité.

Les enfants doivent être surveillés afin de s'assurer qu'ils ne jouent pas avec l'appareil.

### **Protection par disjoncteur de fuite à la terre**

Ce nettoyeur haute pression est fourni avec un disjoncteur de fuite à la terre (GFCI) intégré dans la fiche du cordon d'alimentation. Cet appareil offre une protection supplémentaire contre le risque de choc électrique.

Si le remplacement de la fiche ou du cordon devient nécessaire, utilisez uniquement des pièces de rechange identiques qui incluent une protection GFCI.

### **Instructions de mise à la terre**

Ce nettoyeur haute pression doit être mis à la terre. En cas de dysfonctionnement ou de panne, la mise à la terre fournit un chemin de moindre résistance pour le courant électrique afin de réduire le risque de choc électrique. Ce produit est équipé d'un cordon qui contient un conducteur de mise à la terre et une fiche de mise à la terre. La fiche doit être connectée à une prise appropriée qui est correctement installée et mise à la terre conformément à tous les codes et ordonnances locaux.

### **Surcharge du moteur**

Le moteur électrique de ce nettoyeur haute pression est équipé d'un dispositif de protection contre les surcharges thermiques. Cet appareil éteindra automatiquement le moteur si le moteur surchauffe ou consomme trop de courant. Si la protection contre les surcharges est déclenchée, coupez l'alimentation en plaçant l'interrupteur principal MARCHE/ARRÊT sur la position ARRÊT (0). Laissez l'appareil refroidir pendant trente (30) minutes. Une fois l'appareil refroidi, placez l'interrupteur principal MARCHE/ARRÊT sur la position MARCHE (I) pour reprendre le fonctionnement.

### **Soupape de décharge thermique**

Lorsque la température à l'intérieur de la pompe atteint un réglage prédéterminé, cette vanne s'ouvre, permettant à l'eau chaude de sortir et à l'eau froide d'entrer, refroidissant la pompe. La valeur se fermera alors.

## **ÉQUIPEMENT DE PROTECTION INDIVIDUELLE (EPI)**

Il est important de comprendre quel équipement de protection individuelle (EPI) doit être utilisé lors de l'utilisation de votre laveur sous pression. Vous trouverez ci-dessous une liste des équipements de protection individuelle qui doivent être utilisés à tout moment lors de l'utilisation d'un laveur sous pression.

Ouïe : Bouchons d'oreilles ou casques pour protéger votre ouïe.

Vision : Lunettes de sécurité pour protéger vos yeux.

Vêtements : Pantalon long pour protéger vos jambes des débris volants.

Chaussures : Chaussures couvrant entièrement vos pieds pour vous protéger des débris et des projections.



# DÉBALLAGE

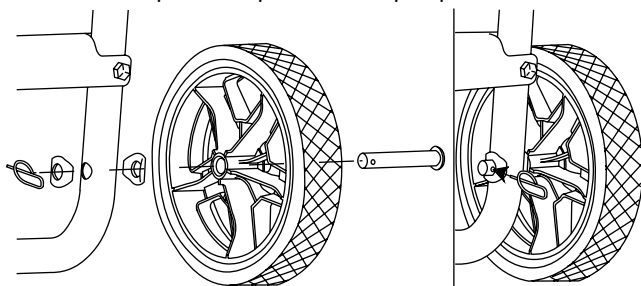
Suivez les étapes décrites dans cette section pour déballer et assembler votre laveur sous pression. Si vous avez des questions concernant le déballage ou l'assemblage de votre laveur sous pression, veuillez avoir votre numéro de modèle et votre numéro de série à portée de main, puis contactez le service clientèle au 1 877 4271-6182 ou par courriel à [cservice@fna-group.com](mailto:cservice@fna-group.com).

1. Placez la boîte d'expédition sur une surface plane et solide.
2. Découpez soigneusement le dessus du carton.
3. Coupez soigneusement chaque coin du carton de haut en bas.
4. Dépliez chaque côté du carton à plat sur le sol.
5. Retirez le contenu de l'emballage.

# ASSEMBLAGE

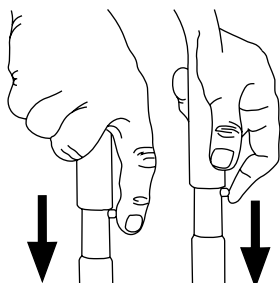
## 1. Installer les roues.

Faites glisser la goupille d'essieu à travers la roue, la rondelle formée, le cadre et toute autre rondelle formée. Faites glisser le clip à travers le trou de la goupille d'essieu pour fixer la roue en place. Répétez les étapes pour la deuxième roue.

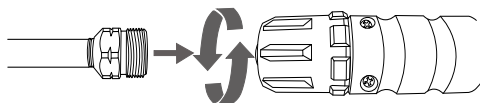


## 2. Installer la poignée.

Placez la poignée sur le cadre, appuyez sur les boutons-pression et faites glisser l'ensemble de poignée sur le cadre jusqu'à ce que les boutons-pression s'enclenchent en place pour verrouiller la poignée sur le cadre.



## Assembler le pistolet de pulvérisation

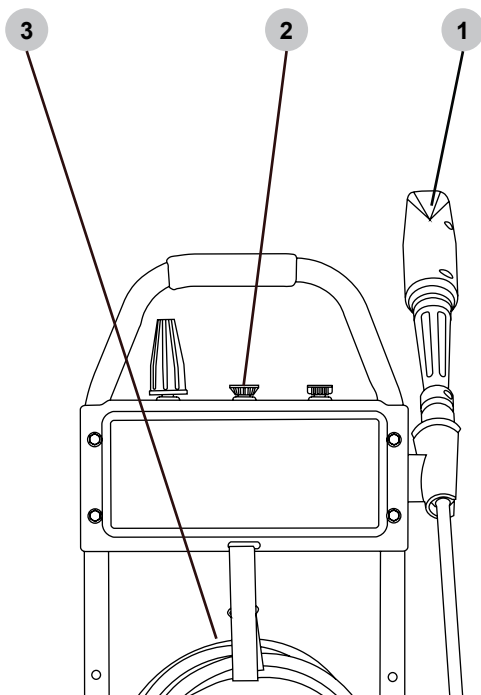


1. Fixez la lance au pistolet en tournant avec précaution le coupleur du pistolet de pulvérisation jusqu'à ce que le coupleur cesse de tourner. Ne serrez pas trop fort. La plupart des filetages de la lance ne seront pas visibles si la lance et le pistolet sont correctement assemblés. Assurez-vous de ne pas croiser les filetages du pistolet et de la lance.

**AVERTISSEMENT!** Les filetages du coupleur de la lance et du pistolet peuvent être facilement croisés, ce qui entraîne un assemblage incorrect. Un assemblage incorrect du pistolet et de la lance peut entraîner des blessures. Ne pas utiliser si les filetages du coupleur du pistolet et/ou de la lance sont croisés.

## Organiser les accessoires

1. Placez l'ensemble pistolet et lance dans le support du tableau de bord.
2. Poussez les buses dans les œillets en caoutchouc du tableau de bord. Remarque : l'étiquette du tableau de bord indique l'emplacement correct des buses.
3. Accrochez le tuyau haute pression sur le support.

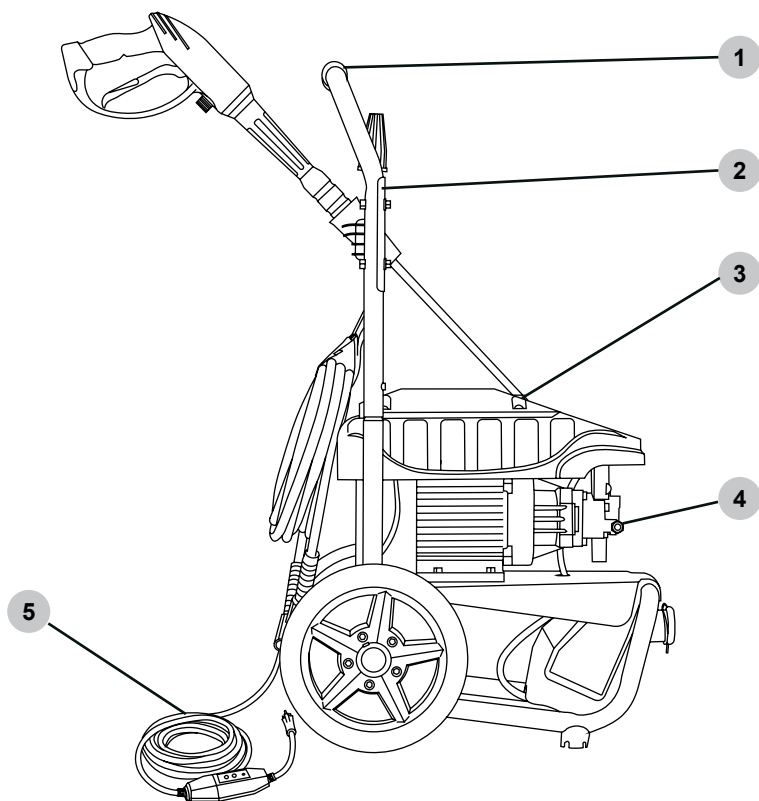


**AVERTISSEMENT:**

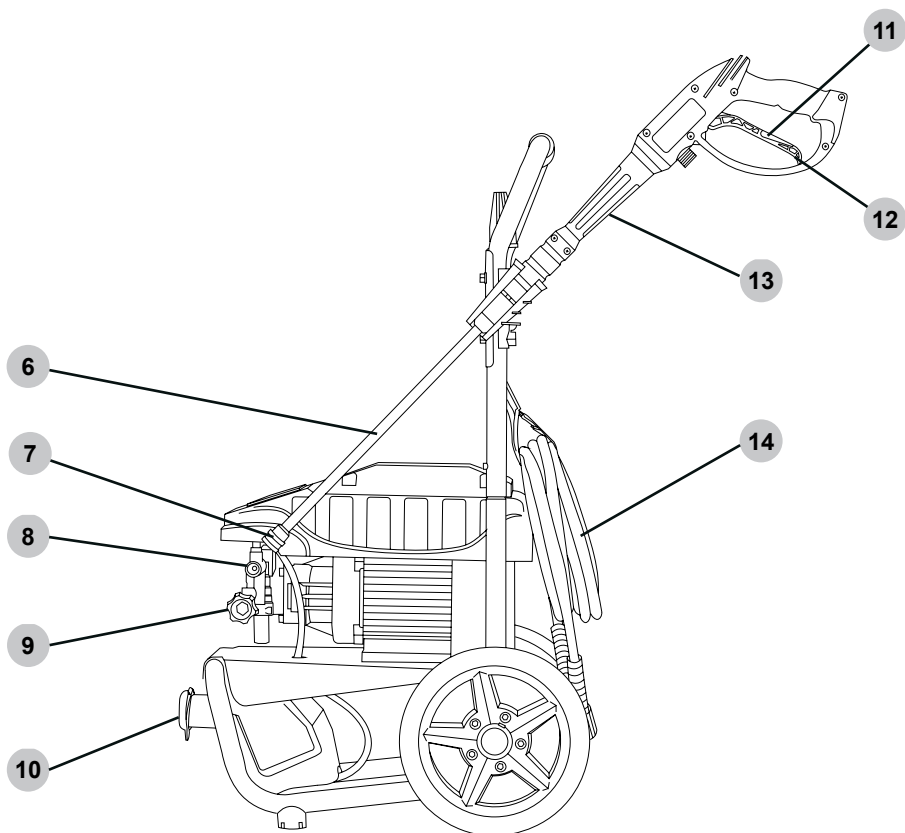
### LISTE DE CONTRÔLE DE FONCTIONNEMENT

Tenter de démarrer le moteur ou d'utiliser le laveur sous pression incorrectement peut endommager le moteur et/ou le laveur sous pression et provoquer des blessures graves ou la mort. Pour éviter ces risques, ne manquez pas de lire, comprendre et respecter les étapes décrites dans la section LISTE DE CONTRÔLE DE FONCTIONNEMENT du manuel de l'utilisateur avant de démarrer le moteur et de suivre toutes les recommandations pour l'utilisation correcte du laveur sous pression.

# EMPLACEMENT DES COMPOSANTS



1. Guidon
2. Rangement des accessoires
3. Interrupteur marche/arrêt principal
4. Soupape de sûreté thermique
5. Cordon d'alimentation avec GFCI intégré

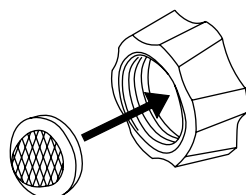


- 6. Lance de pulvérisation
- 7. Raccord rapide de la lance d'arrosage
- 8. Sortie de la pompe haute pression
- 9. Coupleur de tuyau d'arrosage et filtre d'entrée d'eau
- 10. Réservoir de détergent
- 11. Verrouillage de la gâchette du pistolet de pulvérisation
- 12. Gâchette du pistolet de pulvérisation
- 13. Pistolet de pulvérisation
- 14. Tuyau haute pression

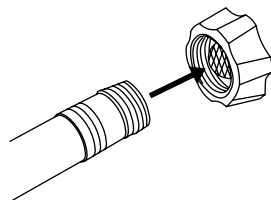
# RACCORDEMENT DES TUYAUX

Avant de raccorder un tuyau d'alimentation en eau, assurez-vous que l'alimentation en eau est capable de fournir une source ininterrompue d'eau propre et froide à un débit minimum de 5 gallons par minute (GPM) et 20 livres par pouce carré (PSI) de pression. Une fois que l'alimentation en eau est assurée, suivez les instructions ci-dessous pour connecter le tuyau d'alimentation en eau et le tuyau haute pression au laveur sous pression.

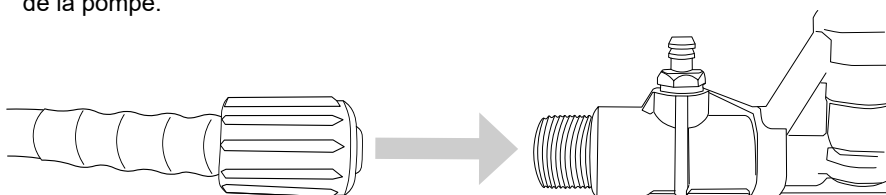
1. Vérifiez que le filtre de entrée est libre de saleté ou de débris et qu'il est en place avec le côté convexe vers l'extérieur.



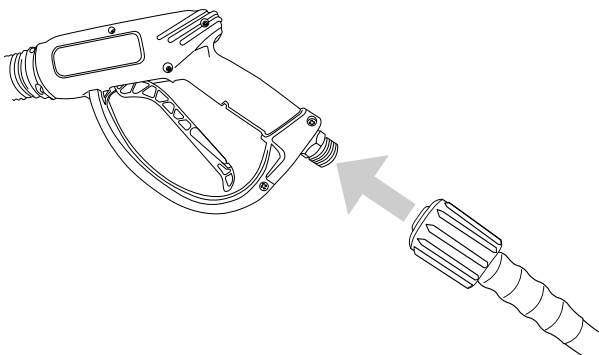
2. Ouvrez l'alimentation en eau et laissez-la couler pendant 30 secondes pour purger tout résidu de la tuyau d'alimentation. Ensuite, fermez l'alimentation en eau et serrez la tuyau d'alimentation en eau à l'entrée de la pompe.



3. Vissez le connecteur du tuyau haute pression dans la sortie haute pression de la pompe.



4. Vissez le raccord du tuyau haute pression sur le pistolet pulvérisateur.



# PURGER L'AIR DE LA POMPE



## AVIS

### PURGE DE LA POMPE

L'utilisation d'une pompe de laveur sous pression sans eau endommage sévèrement les joints de la pompe ainsi que d'autres composants internes. Pour éviter ce risque, vérifiez de l'alimentation en eau est ininterrompue au moins 5 GPM à 20 PSI et purgez toujours l'air de la pompe de votre laveur sous pression avant de démarrer le moteur.



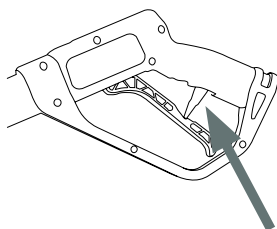
## AVERTISSEMENT:

### BLESSURE PAR INJECTION

Les hautes pressions créées par un laveur sous pression peuvent provoquer des blessures par injection de liquide, des lacérations graves, des amputations et/ou la mort. Pour éviter ces dangers, orientez toujours le pistolet de pulvérisation et la lance dans une direction sécuritaire et ne tentez jamais de toucher une fuite dans un tuyau ou un raccord sous haute pression.

Une pompe de laveur sous pression est conçue pour fonctionner avec de l'eau qui la traverse. L'eau lubrifie et refroidit les composants internes de la pompe. L'utilisation d'une pompe de laveur sous pression sans eau endommage sévèrement les joints de la pompe ainsi que d'autres composants internes. Les dommages causés par le fonctionnement d'une pompe de laveur sous pression sans eau ne sont pas couverts par la garantie. Veillez à suivre les instructions ci-dessous pour purger correctement l'air de votre pompe de laveur sous pression avant de démarrer le moteur.

1. Raccordez tous les tuyaux en suivant les étapes décrites dans la section RACCORDEMENT DES TUYAUX de ce guide, puis ouvrez la source d'eau froide.
2. Orientez le pistolet de pulvérisation dans une direction sécuritaire et maintenez la gâchette enfoncée pendant au moins 30 secondes ou jusqu'à ce que l'eau coule régulièrement et que tout l'air soit purgé de la pompe et des boyaux.
3. Vérifiez l'absence de fuites dans les tuyaux et les raccords. Si vous trouvez des fuites, arrêtez la machine, dirigez le pistolet de pulvérisation dans une direction sécuritaire et appuyez sur la gâchette pour relâcher toute pression accumulée dans le système. N'essayez jamais de toucher une fuite dans un tuyau ou un raccord haute pression. N'essayez jamais de réparer un tuyau haute pression.
4. Enclenchez le verrou de la gâchette.



# BUSES

## Sélection de la buse

Les buses fournies avec le laveur sous pression ont des jets spécifiques conçus pour nettoyer différentes surfaces. L'utilisation d'une buse incorrecte peut endommager les surfaces. Consultez le tableau ci-dessous pour sélectionner la buse correcte avant d'utiliser le laveur sous pression. **REMARQUE** : La sélection des buses incluses peut varier selon les modèles de laveurs sous pression.

Couleur	5-N-1 (Si équipé)	Modèle de pulvérisation	Utilisations	Surfaces
Rouge	0° HIGH PRESSURE	0°	Nettoyage ponctuel de surfaces dures, non peintes et des zones en hauteur	Métal et béton non peint  NE PAS utiliser sur le bois.
Jaune	15° HIGH PRESSURE	15°	Nettoyage intense des surfaces non peintes	Grilles, allées, trottoirs en béton et en brique, brique et stuc non peints
Vert	25° HIGH PRESSURE	25°	Buse de nettoyage standard pour la plupart des applications	Outils de chantier, trottoirs, meubles de jardin, revêtement non peint, stuc, caniveaux, avant-toits, surfaces en béton et brique
Blanc	40° HIGH PRESSURE	40°	Nettoyage des surfaces peintes ou délicates	Revêtements pour automobiles, camions, véhicules récréatifs, bateaux, bois, briques peintes, stucs peints, vinyle et revêtements peints
Noir	SOAP LOW PRESSURE	Savon	Application de solutions de nettoyage	Sécuritaire sur toutes surfaces. Vérifiez toujours la compatibilité des solutions de nettoyage avant l'emploi.



## AVIS

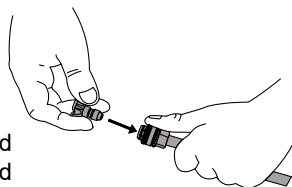
### DOMMAGES DE PULVÉRISATION

La pulvérisation sous haute pression peut endommager les plantes et autres surfaces. Pour éviter de causer des dommages, couvrez les plantes avant de pulvériser à proximité, consultez le tableau Sélection de la buse dans ce guide pour connaître la sélection de la buse correcte et testez les surfaces avant de pulvériser pour vérifier si elles sont suffisamment robustes pour supporter une pulvérisation sous haute pression.

## Installation de la buse

Si le moteur est en marche, assurez-vous que le verrou de la gâchette est en position verrouillée avant de retirer et d'installer les buses.

Pour placer une buse dans la lance d'arrosage, tirez le raccord rapide vers l'arrière, insérez la buse, puis relâchez le raccord pour qu'il se remette en place. Une fois installée, tirez sur la buse pour vous assurer qu'elle est bien fixée.



# LISTE DE CONTRÔLE DE FONCTIONNEMENT

## Emplacement

IL N'EST PAS RECOMMANDÉ D'UTILISER UNE RALLONGE. Si, toutefois, une rallonge est requise, il doit s'agir d'un CORDON À 3 BROCHES POUR L'EXTÉRIEUR, d'une longueur maximale de 50 pieds (15m) et d'un minimum de conducteurs de 14 AWG (2,5 mm<sup>2</sup>). Déroulez toujours la rallonge lorsque vous l'utilisez. N'UTILISEZ PAS une rallonge dont la broche de mise à la terre est endommagée ou manquante.

## Conditions de fonctionnement

Avant chaque utilisation, vérifiez s'il y a des pièces desserrées ou endommagées et toute autre condition pouvant affecter l'utilisation appropriée. Réparez ou remplacez immédiatement toutes les pièces endommagées et/ou défectueuses. Gardez toujours tous les dispositifs de protection en place et en bon état de fonctionnement. Pour des raisons de sécurité, le fabricant recommande que tous les entretiens et réparations soient effectués par un centre de service agréé.

Avant de démarrer le moteur, enlevez toute saleté et tout débris excessifs des événements de refroidissement, de l'échappement et des zones du démarreur manuel. Utilisez toujours le laveur sous pression sur une surface plane et ne déplacez ou ne basculez jamais le laveur sous pression en cours d'utilisation. N'utilisez le laveur sous pression que pour l'usage auquel il est destiné. Si vous avez des questions sur l'utilisation appropriée de votre laveur sous pression, veuillez communiquer avec le service à la clientèle au 1 877 362-4271 ou à [cservice@fna-group.com](mailto:cservice@fna-group.com).



**AVERTISSEMENT:**

**UTILISATION PAR DES PERSONNES NON FORMÉES**

Les adultes non formés et les enfants peuvent subir de graves blessures ou la mort s'ils sont autorisés à utiliser ou à jouer avec un laveur sous pression en fonctionnement. Pour éviter ces dangers, veillez à ce quiconque utilisant le laveur sous pression reçoive les instructions adéquates, comprenne le fonctionnement sécuritaire et lise le manuel de l'utilisateur avant d'utiliser ce produit. Ne laissez pas les enfants utiliser le laveur sous pression sans supervision parentale. Gardez les enfants et les animaux domestiques à l'écart du laveur sous pression lorsqu'il fonctionne. Éteignez toujours le laveur sous pression avant de quitter la zone.



**AVERTISSEMENT:**

**INSPECTER AVANT D'UTILISER**

Le fait de ne pas inspecter ce produit avant de l'utiliser peut créer une situation dangereuse entraînant des dommages au produit, des blessures graves et/ou la mort. Pour éviter ces dangers, inspectez le laveur sous pression avant chaque utilisation. Vérifiez si des pièces sont desserrées ou endommagées, les signes de fuites d'huile ou de carburant, si des protections sont manquantes et toute autre condition susceptible d'affecter l'utilisation appropriée. Réparez ou remplacez toutes les pièces endommagées ou défectueuses et maintenez les protections de sécurité en place et en bon état de fonctionnement avant d'utiliser le laveur sous pression.





**AVERTISSEMENT:**

## BLESSURE PAR INJECTION

Les hautes pressions créées par un laveur sous pression peuvent provoquer des blessures par injection de liquide, des lacérations graves, des amputations et/ou la mort. Pour éviter ces dangers, orientez toujours le pistolet de pulvérisation et la lance dans une direction sécuritaire et ne tentez jamais de toucher une fuite dans un tuyau ou un raccord sous haute pression.



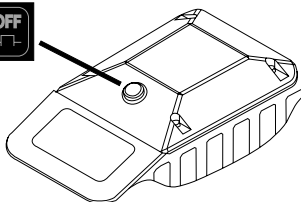
**AVERTISSEMENT:**

## PIÈCES MOBILES

Ce produit contient de nombreuses pièces mobiles à haute vitesse. Les pièces mobiles peuvent causer des écrasements, des fractures, des lacérations graves et/ou des amputations traumatiques. Pour éviter les blessures, ne placez jamais vos doigts, mains, pieds ou autre partie du corps à proximité du moteur en marche. N'utilisez jamais le produit avec les capots, les coiffes ou autres protections retirés. Ne portez pas de vêtements amples, de cordon pendant ou autres objets pendants susceptibles de s'accrocher dans les pièces mobiles en fonctionnement. Attachez vos cheveux longs et retirez vos bijoux avant l'utilisation.

## MISE EN MARCHÉ DU NETTOYEUR HAUTE PRESSION

1. Raccorder les tuyaux comme indiqué à la page 11.
2. Ouvrez l'eau et purger le système d'air comme indiqué à la page 12.
3. Insérer la buse souhaitée comme indiqué à la page 13.
4. Assurez-vous que l'interrupteur principal ON/OFF est en position OFF (0).



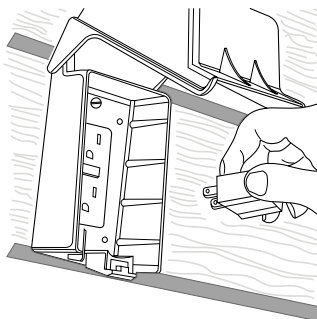
**ATTENTION:**

## SOURCE DE COURANT

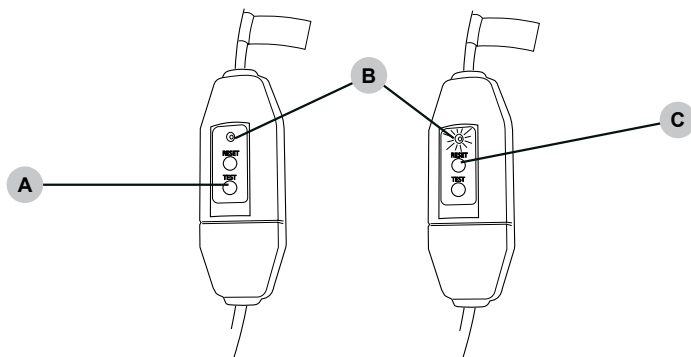
Ce nettoyeur haute pression ne doit être utilisé qu'avec une prise/fiche dédiée de 120 VCA, 60 Hz à 15 ou 20 ampères. Tous les autres appareils du circuit doivent être éteints ou débranchés lors de l'utilisation du nettoyeur haute pression. N'utilisez jamais le nettoyeur haute pression avec un adaptateur qui peut entraîner une tension plus élevée ou un courant excessif. Un courant excessif peut déclencher le disjoncteur. Consultez un électricien qualifié si vous n'êtes pas sûr de la capacité de la prise d'alimentation électrique souhaitée à alimenter en toute sécurité ce nettoyeur haute pression.

**IL N'EST PAS RECOMMANDÉ D'UTILISER UNE RALLONGE.** Si, toutefois, une rallonge est requise, il doit s'agir d'un **CORDON À 3 BROCHES POUR L'EXTÉRIEUR**, d'une longueur maximale de 50 pieds (15m) et d'un minimum de conducteurs de 14 AWG (2,5 mm<sup>2</sup>). Déroulez toujours la rallonge lorsque vous l'utilisez. **N'UTILISEZ PAS** une rallonge dont la broche de mise à la terre est endommagée ou manquante.

5. Branchez le cordon d'alimentation électrique dans une prise mise à la terre de 120 volts CA à 15 ampères qui a été correctement installée conformément à tous les codes et ordonnances locaux. Le voyant lumineux sur le GFCI doit être allumé (ON).



6. Appuyez sur le bouton TESTER (A). Le voyant (B) doit maintenant être éteint (OFF).



7. Appuyez sur le bouton RÉINITIALISER (C). Le voyant (B) s'allume maintenant (ON).  
**AVIS** - N'utilisez PAS le nettoyeur haute pression si le test ci-dessus échoue.

8. Appuyez sur le bouton principal ON/OFF du nettoyeur haute pression en position ON (I).

9. Dirigez le pistolet dans une direction sûre, ouvrez le verrou de la gâchette et appuyez sur la gâchette. Le moteur du nettoyeur haute pression électrique démarre lorsque la gâchette du pistolet pulvérisateur est enfoncée et continue de fonctionner même lorsqu'elle est relâchée.

# ARRÊT DU NETTOYEUR HAUTE PRESSION



**AVIS**

**DOMMAGES DE LA POMPE**

Couper l'arrivée d'eau à votre pompe alors que le moteur fonctionne endommage la pompe. Les dommages causés par le fonctionnement de la pompe sans eau ne sont pas couverts par la garantie. Pour éviter ce risque, arrêtez toujours le moteur avant de couper l'arrivée d'eau.

1. Régler le verrou de gâchette sur le pistolet pulvérisateur.
2. Appuyez sur le bouton principal ON/OFF du nettoyeur haute pression à la position OFF (0).
3. Fermez l'alimentation en eau.
4. Relâchez le verrou de la gâchette, puis appuyez sur la gâchette du pistolet pulvérisateur pour relâcher la pression dans le tuyau et la pompe.
5. Laissez le nettoyeur haute pression refroidir complètement avant de le manipuler et de le ranger.

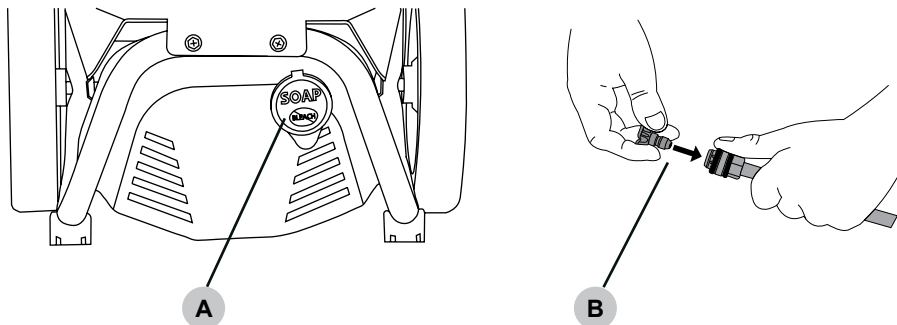
# UTILISATION DE PRODUITS CHIMIQUES



## AVIS

### LIQUIDES VOLATILS

Le lavage sous pression avec des liquides volatils, inflammables ou corrosifs peut endommager le laveur sous pression et causer un incendie ou une explosion entraînant des blessures graves et/ou la mort. Pour éviter ces dangers, utilisez exclusivement des détergents et substances chimiques approuvés, ne tentez pas de laver sous pression avec des liquides volatils, inflammables ou corrosifs et n'utilisez JAMAIS de chlore.



1. Remplissez le réservoir de détergent (A) avec un détergent de nettoyage sans danger pour les nettoyeurs haute pression.
2. Insérer la buse de savon noire (B) dans la baguette.
3. Assurez-vous que tous les tuyaux sont connectés, que la source d'eau est ouverte et que l'air a été purgé du système.
4. Allumez le nettoyeur haute pression.
5. Appliquez le détergent sur une surface sèche, en commençant par la partie la plus basse de la zone et travaillez vers le haut en utilisant des mouvements qui se chevauchent.
6. Laisser le détergent reposer sur la surface pendant 3 à 5 minutes avant de laver et de rincer. Ne laissez pas le détergent sécher.
7. Une fois le détergent appliqué sur les surfaces, retirer la buse de savon.
8. À l'aide de la buse haute pression appropriée, rincer la surface en commençant par le haut et descendez.

**REMARQUE** - Vous devez rincer le système de détergent lorsque vous avez terminé votre travail de nettoyage. Remplissez le réservoir d'eau fraîche, puis à l'aide de la buse à savon, faites fonctionner le système pendant deux minutes jusqu'à ce que tout signe de savon et de mousse ne sorte plus de la buse.

Si vous ne rincez pas correctement le système de détergent, vous risquez d'obstruer le filtre à détergent, le tuyau de détergent et même d'endommager la pompe. Quelques minutes de temps peuvent vous éviter bien des ennuis la prochaine fois que vous utiliserez votre nettoyeur haute pression.

# CONSEILS D'UTILISATION

---

## Termes

- PSI : Les livres par pouce carré (PSI) sont l'unité de mesure de la pression de l'eau. Dans le cas d'un laveur sous pression, plus le nombre de PSI est élevé, plus la pression et la puissance de décapage produites sont importantes.
- GPM : Les gallons par minute (GPM) représentent le débit d'eau. Dans le cas d'un laveur sous pression, plus le nombre de gallons par minute est élevé, plus le débit ou la puissance de rinçage est important.
- CU : Les unités de nettoyage expriment l'efficacité du nettoyeur haute pression. Les unités de nettoyage sont calculées en multipliant le PSI par le GPM. Plus l'unité de nettoyage est élevée, plus le laveur sous pression est efficace.

## Préparation

- Lisez tous les avertissements et toutes les instructions de ce guide et de tous les autres guides fournis avec le laveur sous pression.
- Retirez tous les jouets, vélos, meubles de jardin, etc. de la zone de travail s'ils ne doivent pas être nettoyés.
- Balayez la saleté et les débris de la surface que vous allez laver sous pression.
- Couvrez les plantes à proximité pour éviter de les endommager avec le jet de laveur sous pression.
- Prenez des précautions lorsque vous pulvérisez les fenêtres. Utilisez toujours la buse blanche de 40° et restez à une distance d'au moins 4 pieds (1,2 mètres).
- Posez des bâches pour récupérer les éclats de peinture et autres débris qui sont emportés par le jet. Les peintures extérieures utilisées avant 1977 peuvent contenir du plomb et produire des copeaux qui devront être collectés et éliminés dans une installation de traitement des déchets dangereux.

## Lavage sous pression

- Une pulvérisation plus large permet de nettoyer plus rapidement, alors qu'une pulvérisation plus étroite permet un nettoyage plus en profondeur.
- Tenez la buse à environ 4 pieds (1,2 mètres) du revêtement pour éviter les dommages.
- Commencez à laver les revêtements du bas vers le haut, puis rincez du haut vers le bas.
- Évitez d'envoyer de l'eau derrière le revêtement.
- Utilisez des touches qui se chevauchent pour un nettoyage uniforme.
- Travaillez par petites surfaces pour éviter que le savon ne sèche.
- Ne dirigez pas la buse directement vers une surface. Tenez la lance selon un angle de 45°degrés par rapport à la surface à une distance qui permet de bien nettoyer sans endommager.

# DÉPANNAGE

PROBLÈME	CAUSE POSSIBLE	SOLUTION
Le nettoyeur haute pression ne démarre pas ou le disjoncteur se déclenche.	Le cordon d'alimentation n'est pas branché.	Brancher le cordon dans une prise de 120 volts, 15 ampères.
	Le disjoncteur de la maison est déclenché.	Réinitialisez le disjoncteur.
	La prise équipée d'un GFCI (le cas échéant) est déclenchée.	Réinitialisez le GFCI en appuyant sur le bouton RESET.
	Le GFCI du cordon d'alimentation est déclenché.	Réinitialiser le GFCI en appuyant sur le bouton RESET.
	L'interrupteur principal ON/OFF est en position OFF.	Déplacez l'interrupteur sur la position ON.
	L'interrupteur thermique du moteur électrique s'est déclenché en raison d'une surchauffe.	Mettez l'interrupteur principal ON/OFF en position OFF. Laissez l'appareil refroidir pendant 30 minutes.
	Le nettoyeur haute pression est connecté à une prise/fiche partagée par d'autres appareils du circuit.	Retirez tous les autres appareils du circuit.
Le nettoyeur haute pression est connecté à un circuit à l'aide d'une rallonge.	Retirez la rallonge. Branchez le cordon d'alimentation du nettoyeur haute pression directement dans une prise de 120 volts, 15 ampères. Voir SOURCE DE COURANT, page 5.	
Le nettoyeur haute pression crée une pression de pulvérisation d'eau faible ou nulle.	Il y a de l'air dans les tuyaux et/ou la pompe.	Reportez-vous à la section AMORÇAGE DE LA POMPE de ce manuel pour éliminer l'air de la pompe et des flexibles.
	L'approvisionnement en eau est insuffisant.	Assurez-vous que la pression d'alimentation en eau est d'au moins 5 gpm @ 20 PSI.
	La buse est bouchée.	Nettoyez la buse conformément à la section ENTRETIEN de ce manuel.
	Le tamis d'arrivée d'eau est obstrué.	Nettoyer l'eau filtre d'admission selon la section ENTRETIEN de ce manuel.

<b>PROBLÈME</b>	<b>CAUSE POSSIBLE</b>	<b>SOLUTION</b>
Le détergent ne se mélange pas avec le spray.	Le tube transparent est obstrué ou fissuré.	Nettoyer ou remplacer le tube transparent.
	Le tube transparent n'est pas fixé à la pompe.	Fixer le tube transparent au connecteur de détergent sur la pompe.
	Mauvaise buse utilisée.	Installer la buse de savon noir sur la baguette.
	Détergent trop épais.	Ajouter de l'eau au détergent pour lui donner la consistance de l'eau.

---



---

## **ENTRETIEN**

---



---

Pour des raisons de sécurité, le fabricant recommande que tous les entretiens et réparations du laveur sous pression soient effectués par un centre de service agréé. Tous les remplacements ou réparations sous garantie doivent être effectués par un centre de distribution ou de service agréé. Pour trouver un centre de service autorisé près de chez vous, faire une demande de garantie ou obtenir une réparation sous garantie autorisée, appelez le 1 877 362-4271 ou envoyez un courriel à [cservice@fna-group.com](mailto:cservice@fna-group.com).

Il est de la responsabilité du propriétaire et/ou de l'utilisateur de faire effectuer tous les entretiens prévus avant d'utiliser le laveur sous pression. Veillez à suivre les recommandations d'inspection et d'entretien figurant dans tous les guides fournis avec cet appareil.

---

### **Entretien**

Avant chaque utilisation, vérifiez que le laveur sous pression ne présente pas de fuites, de pièces lâches ou endommagées, et toute autre anomalie qui pourrait nuire à son bon fonctionnement. Assurez-vous que toutes les protections de sécurité sont en place et en bon état de fonctionnement. Inspectez tous les événements d'air et les fentes de refroidissement pour vous assurer qu'ils sont propres et non obstrués. Réparez ou remplacez immédiatement toutes les pièces endommagées ou défectueuses. Pour des raisons de sécurité, le fabricant recommande que tous les entretiens et réparations du laveur sous pression soient effectués par un centre de service agréé. N'essayez jamais de réparer un tuyau haute pression.

---

### **Nettoyage du laveur sous pression**

Nettoyez toujours le laveur sous pression lorsque le moteur est arrêté et froid. Pour nettoyer le laveur sous pression, utilisez d'abord un compresseur d'air réglé à 25 PSI maximum pour enlever la saleté et les débris des surfaces, des événements et des fentes de refroidissement du laveur sous pression. Ensuite, nettoyez l'extérieur avec un chiffon humide.

**AVIS****NETTOYAGE**

L'eau peut endommager les composants du moteur du laveur sous pression si elle pénètre par les fentes de refroidissement ou d'autres orifices. Les dommages causés par la pénétration d'eau ne sont pas couverts par la garantie. Pour éviter les dommages causés par l'eau, n'utilisez pas un laveur sous pression, un boyau de jardin ou toute autre source d'eau courante pour nettoyer le moteur du laveur sous pression et ne l'immergez jamais dans un liquide quelconque.

**AVIS****PRODUITS DE NETTOYAGE CHIMIQUES**

L'utilisation de produits de nettoyage chimique et/ou de liquides corrosifs peut endommager les joints du laveur sous pression et ses composants internes. Les dommages causés par les nettoyants chimiques et les liquides corrosifs ne sont pas couverts par la garantie. Pour éviter ces risques, n'utilisez que des produits de nettoyage, jamais d'eau de Javel et faites toujours passer de l'eau propre dans le laveur sous pression après avoir utilisé des produits chimiques de nettoyage.

## Raccords

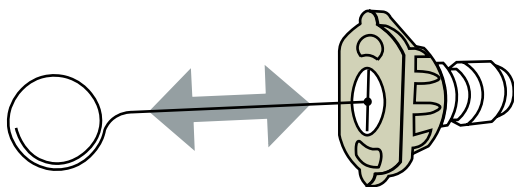
Les raccords du tuyau, du pistolet et de la pompe doivent être nettoyés et lubrifiés régulièrement avec une fine pellicule de graisse au lithium pour éviter d'endommager les joints toriques et de provoquer des fuites.

## Nettoyage des buses

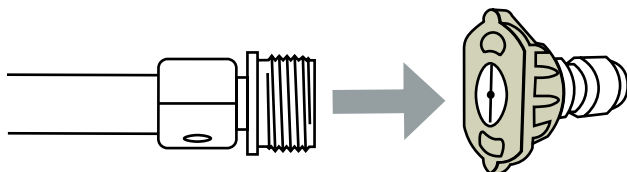
Si une buse est obstruée, la pompe peut émettre des pulsations et la forme du jet peut changer. Si la buse n'est pas nettoyée, une pression excessive peut se développer et endommager la pompe ou d'autres accessoires. Inspectez les buses avant de les utiliser et suivez les instructions de cette section pour la procédure appropriée de nettoyage des buses.

1. Arrêtez le laveur sous pression.
2. Coupez l'alimentation en eau.
3. Orientez le pistolet de pulvérisation dans une direction sécuritaire et appuyez sur la gâchette pour relâcher la pression de l'eau.
4. Réglez le verrou de la gâchette.
5. Retirez la buse du raccord rapide de la lance.
6. Dégagez toute obstruction de la buse en insérant l'outil de nettoyage de la buse fourni.





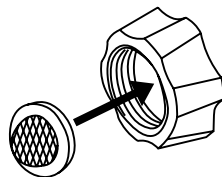
7. Rincez tous les débris détachés de la buse en orientant un tuyau d'arrosage en marche vers la sortie de la buse pendant au moins 30 secondes.



## Filtre d'entrée d'eau

Avant chaque utilisation, vérifiez le filtre d'entrée et nettoyez-le en suivant les étapes ci-dessous. N'utilisez jamais le laveur sous pression si le filtre d'entrée n'est pas correctement installé.

1. Retirez le filtre du coupleur du tuyau d'arrosage.
2. Utilisez l'eau d'un tuyau d'arrosage en marche pour nettoyer les deux côtés du filtre.
2. Insérez le filtre nettoyé dans l'entrée de la pompe avec le côté convexe vers l'extérieur.



## Entretien de la pompe

La pompe de cet appareil est de conception sans entretien. La pompe a été remplie d'huile en usine et n'a pas de vidange d'huile ni de bouchons de remplissage. S'il y a un problème avec la pompe de ce nettoyeur haute pression, appelez le 1-877-362-4271 ou envoyez un courriel à [cservice@fna-group.com](mailto:cservice@fna-group.com).

# RANGEMENT DU NETTOYEUR HAUTE PRESSION

---

---

1. Éteignez le nettoyeur haute pression et débranchez le cordon électrique.
2. Appuyez sur la gâchette pour relâcher toute pression stockée.
3. Débrancher le flexible haute pression de la pompe et du pistolet.
4. Tenez le pistolet de pulvérisation dans un plan vertical ; appuyer sur la gâchette pour éliminer l'eau emprisonnée.
5. Retirer l'eau emprisonnée du tuyau haute pression ; bobine pour le stockage.
6. Protégez la pompe en utilisant SIMPSON® Pump Guard conformément à la section UTILISATION DE LA PROTECTION DE POMPE de ce manuel.
7. Rangez le nettoyeur haute pression et ses accessoires dans un endroit frais et sec, à l'abri de la lumière directe du soleil.

# UTILISATION DE LA PROTECTION DE POMPE SIMPSON®



## AVIS

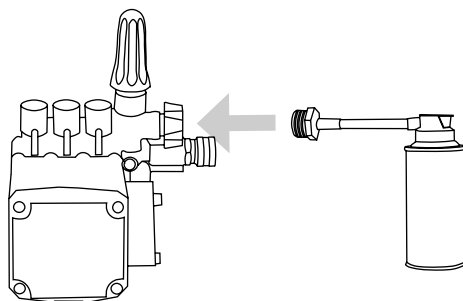
## DOMMAGES DE LA POMPE

Laisser de l'eau à l'intérieur de la pompe par temps de gel causera des dommages divisibles à la pompe. Pour éviter des dommages coûteux, traitez toujours la pompe avec la protection de pompe SIMPSON® afin d'éliminer l'eau piégée et de remplir la pompe d'une solution lubrifiante et antigel.

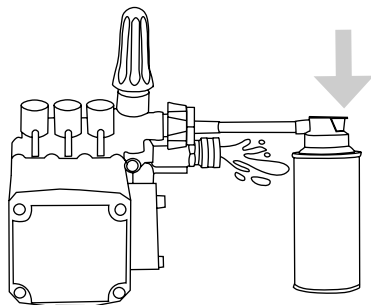
La protection de pompe SIMPSON® (vendue séparément) est formulée pour protéger votre pompe pendant l'entreposage à long terme et contre les dommages causés par le gel. La protection de pompe doit être utilisée tout au long de la saison pour que les joints restent souples et bien lubrifiés. Avant d'entreposer l'appareil pour l'hiver ou lorsqu'il y a un risque de gel, utilisez la protection de pompe pour éliminer toute trace d'eau des cavités internes tout en les remplissant d'une solution antigel. La protection de pompe est une assurance pour votre investissement, utilisez-la.

Utilisez simplement la protection de pompe en suivant les étapes suivantes :

1. Vissez l'adaptateur de la protection de pompe dans l'entrée du tuyau d'arrosage de la pompe.



2. Appuyez sur le bouton et maintenez-le enfoncé jusqu'à ce que toute l'eau et la protection de pompe commencent à sortir de l'orifice haute pression.



3. Dévissez la protection de pompe et préparez le laveur sous pression pour l'entreposage comme indiqué dans la section ENTREPOSAGE ET TRANSPORT.

# GARANTIE LIMITÉE

## Les produits de consommation

### CONDITIONS DE COUVERTURE DE LA GARANTIE :

Le fabricant de ce produit s'engage à réparer ou à remplacer les pièces désignées qui s'avèrent défectueuses pendant la période de garantie indiquée ci-dessous, à la seule discrétion du fabricant. Des limitations/extensions et exclusions spécifiques s'appliquent.

Cette garantie couvre les défauts de matériaux et de fabrication et non les défaillances de pièces dues à l'usure normale, la dépréciation, l'abus, les dommages accidentels, la négligence, l'utilisation, l'entretien, la qualité de l'eau et le stockage inappropriés. Pour faire une réclamation selon les termes de la garantie, toutes les pièces déclarées défectueuses doivent être conservées et disponibles pour être retournées sur demande à un centre de service de garantie désigné pour une inspection de garantie. Les jugements et décisions du fabricant concernant les demandes de garantie sont définitifs.

Ces garanties sont transmises à l'utilisateur final et ne sont pas transférables. En tant que centre de service de garantie autorisé et formé par l'usine, l'usine honorera les conditions de toutes les garanties des composants et satisfera aux réclamations des dispositions de garantie appropriées.

Les articles d'usure normale incluent, mais sans s'y limiter, les articles tels que la valve et les joints, qui ne sont pas couverts par cette garantie.

Cette garantie remplace toutes les garanties, expresses ou implicites, y compris, sans s'y limiter, toute garantie de qualité marchande ou d'adéquation à un usage particulier et toutes ces garanties sont par la présente rejetées et exclues par le fabricant. L'obligation de garantie du fabricant est limitée à la réparation et au remplacement des produits défectueux comme indiqué dans les présentes et le fabricant ne sera pas responsable de toute autre perte, dommage ou dépense - y compris les dommages dus à l'expédition, à un accident, à un abus, à des catastrophes naturelles, à une mauvaise utilisation ou à une négligence. Il n'y a pas non plus de dommages résultant de réparations utilisant des pièces non achetées auprès du fabricant ou de modifications effectuées par du personnel non autorisé par l'usine. Le défaut d'installer et d'utiliser l'équipement conformément aux directives énoncées dans le manuel d'instructions annulera la garantie.

### CETTE GARANTIE NE COUVRE PAS :

Marchandises vendues reconditionnées, utilisées comme équipement de location, utilisées pour des applications commerciales ou commerciales, et unités utilisées comme modèles de plancher ou d'affichage, dommages résultant de l'expédition (les réclamations doivent être déposées auprès du transporteur), accident, abus, actes de Dieu, mauvaise utilisation ou négligence. Cette garantie ne couvre pas non plus les dommages résultant de réparations ou de modifications effectuées par du personnel non autorisé par l'usine ou le défaut d'installation et d'utilisation de l'équipement conformément aux directives énoncées dans le manuel d'instructions. Le fabricant décline toute responsabilité vis-à-vis de qui que ce soit pour les dommages consécutifs, les blessures corporelles ou les pertes commerciales.

### RESPONSABILITÉ DE L'ACHETEUR INITIAL (UTILISATEUR INITIAL) :

Pour le traitement d'une réclamation sous garantie pour votre laveur sous pression SIMPSON®, signalez le problème au 1 877 362-4271 ou à [cservice@FNA-GROUP.COM](mailto:cservice@FNA-GROUP.COM) pour obtenir l'autorisation et les directives concernant le centre de service le plus proche de votre zone. Conservez le reçu de caisse original comme preuve d'achat pour les travaux sous garantie. Prenez un soin raisonnable pour l'utilisation et l'entretien du produit, comme indiqué dans le(s) guide(s) du propriétaire.

### LA GARANTIE NE COUVRE PAS :

- Dommages de fret
- Dommages dus à la détérioration chimique, à l'accumulation de tartre, à la rouille, à la corrosion ou à la dilatation thermique
- Dégâts de gel
- Dommages causés par des pièces ou des accessoires non obtenus auprès d'un revendeur agréé ou non approuvés par le fabricant
- Usure normale des pièces mobiles ou des composants affectés par les pièces mobiles

### PÉRIODES DE COUVERTURE DE LA GARANTIE:

#### **Moteur électrique (DÉFAUTS DE MATÉRIAUX ET DE FABRICATION)**

- UN (1) ans à partir de la date d'achat.

#### **POMPE À HAUTE PRESSION (DÉFAUTS DE MATÉRIAUX ET DE FABRICATION)**

- UN (1) ans à partir de la date d'achat.

#### **FRAME (DEFECTS IN MATERIAL AND WORKMANSHIP)**

- UN (1) ans à partir de la date d'achat.

#### **ACCESSOIRES (DÉFAUTS DE MATÉRIAUX ET DE FABRICATION)**

- Buses, flexibles, pistolets pulvérisateurs, baguettes, pneus, pieds en caoutchouc : quatre-vingt-dix (90) jours à compter de la date d'achat

#### **DÉCLARATION D'INTENTION ET D'UTILISATION**

- Il s'agit d'une gamme de produits grand public qui n'est PAS conçue pour être utilisée dans des applications commerciales. Cette garantie ne couvre aucun produit utilisé à des fins de location ou commerciales, ou à toute autre fin génératrice de revenus.

# REMARQUES

---

---

**CETTE PAGE A ÉTÉ INTENTIONNELLEMENT LAISSÉE BLANCHE**

**CETTE PAGE A ÉTÉ INTENTIONNELLEMENT LAISSÉE BLANCHE**





**LIRE ATTENTIVEMENT CE GUIDE AVANT L'UTILISATION**

Le fait de ne pas suivre les instructions et les précautions de sécurité de ce guide peut entraîner des dommages matériels, des blessures graves et/ou la mort.

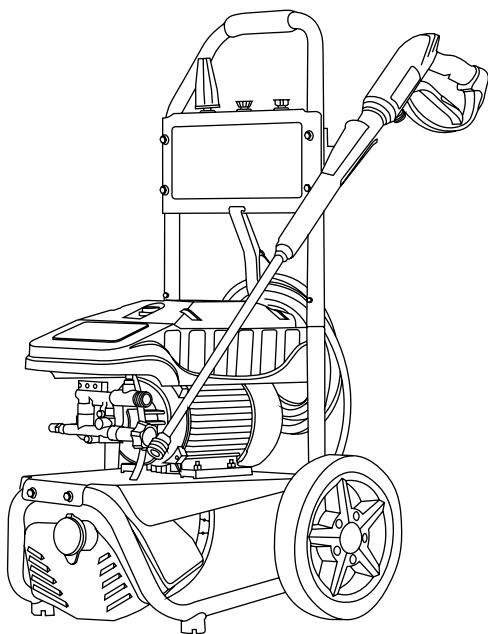
**CONSERVEZ CE GUIDE POUR RÉFÉRENCE ULTÉRIEURE**





# LAVADORA A PRESIÓN

## MANUAL DE USO Y CUIDADO



### LEA ESTE MANUAL DETENIDAMENTE ANTES DE LA OPERACIÓN

El incumplimiento de las instrucciones y precauciones de seguridad de este manual puede provocar daños a la propiedad, lesiones graves y/o la muerte.

Si su lavadora a presión no funciona o si faltan partes o están rotas, NO LA DEVUELVA AL LUGAR DE COMPRA. Comuníquese con nuestro Departamento de Servicio al Cliente llamando al 1-877-362-4271 o enviando un correo electrónico a [cservice@fna-group.com](mailto:cservice@fna-group.com)

### CONSERVE ESTE MANUAL PARA FUTURA REFERENCIA

**NOTA:** Las fotografías y los dibujos lineales utilizados en este manual son sólo para referencia y pueden no representar su modelo específico.

# NOTAS

---

---

**ESTA PÁGINA SE DEJÓ EN BLANCO INTENCIONALMENTE**

## CONSERVE ESTE MANUAL PARA USO FUTURO

Conserve este manual para referencia futura. Este manual debe considerarse una parte permanente del producto y permanecer con él. Este manual debe estar disponible para cualquier persona que opere los productos que cubre. Este manual debe permanecer con el (los) producto(s) que cubre si se vende a un nuevo propietario. Si el manual se daña, se pierde o se vuelve inutilizable, puede descargar una nueva copia de las páginas del producto en [www.simpsoncleaning.com](http://www.simpsoncleaning.com) o comunicarse con el servicio de atención al cliente llamando al 1-877-362-4271.

Anote el número de modelo, el número de serie y la fecha de compra de este producto en los espacios proporcionados a continuación y luego guarde este manual con los recibos de compra para referencia futura.

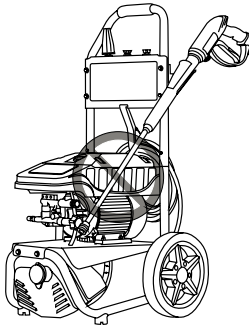
Número de modelo: \_\_\_\_\_

Número de serie: \_\_\_\_\_

Fecha de compra: \_\_\_\_\_

### **PRECAUCION: SEGURIDAD DEL OPERADOR**

Levantar la lavadora a presión por la cubierta de plástico del motor puede provocar daños en la máquina y posibles lesiones. Para evitar dañar la hidrolavadora, asegúrese de levantarla agarrándola del marco de metal.



## RENUNCIAS DE RESPONSABILIDAD

- Toda la información de esta publicación se basó en la información de producto más reciente disponible en el momento de la impresión. FNA Group se reserva el derecho de actualizar, cambiar y/ mejorar el producto y este documento en cualquier momento, sin previo aviso y sin incurrir en ninguna obligación.
- Este manual puede cubrir más de una máquina. Las imágenes y figuras del manual deben usarse sólo como referencia. Puede haber diferencias entre su producto y las imágenes, dibujos y diagramas de este manual.

# TABLA DE CONTENIDO

---

---

<b>RENUNCIAS DE RESPONSABILIDAD</b>	<b>1</b>
<b>INSTRUCCIONES DE SEGURIDAD</b>	<b>4</b>
Lea este manual antes de la operación	4
Instrucciones adicionales	4
Símbolos de alerta de peligro	4
<b>EQUIPO DE PROTECCIÓN PERSONAL</b>	<b>6</b>
<b>DESEMPAQUE</b>	<b>7</b>
<b>ENSAMBLE</b>	<b>7</b>
Instale las ruedas	7
Instale el mango	7
Ensamble la pistola rociadora	8
Organización de accesorios	8
<b>UBICACIÓN DE COMPONENTE</b>	<b>9</b>
<b>CONEXIÓN DE MANGUERAS</b>	<b>11</b>
<b>PURGA DE AIRE DE LA BOMBA</b>	<b>12</b>
<b>BOQUILLAS</b>	<b>13</b>
Selección de boquillas	13
Instalación de boquillas	13
<b>LISTA DE VERIFICACIÓN DE OPERACIÓN</b>	<b>14</b>
Ubicación	14
Condiciones de operación	14

<b>ENCENDIDO DE LA LAVADORA A PRESIÓN</b>	<b>15</b>
<b>APAGADO DE LA LAVADORA A PRESIÓN</b>	<b>17</b>
<b>USO DE PRODUCTOS QUÍMICOS</b>	<b>18</b>
<b>CONSEJOS DE OPERACIÓN</b>	<b>19</b>
Términos	19
Preparación	19
Lavado a presión	19
<b>SOLUCIÓN DE PROBLEMAS</b>	<b>20</b>
<b>MANTENIMIENTO</b>	<b>21</b>
Mantenimiento	21
Limpieza de lavadora a presión	21
Conexiones	22
Limpieza de boquillas	22
Filtro de entrada de agua	23
Mantenimiento de la bomba	23
<b>ALMACENAMIENTO DE LA LAVADORA A PRESIÓN</b>	<b>24</b>
<b>USO DE PUMP GUARD SIMPSON®</b>	<b>25</b>
<b>GARANTÍA</b>	<b>26</b>



### **ADVERTENCIA DE PROPUESTA 65 DE CALIFORNIA**

Este producto y el escape del motor pueden exponerlo a sustancias químicas que en el estado de California se sabe que causan cáncer, defectos de nacimiento u otros daños reproductivos. Para obtener más información sobre la Propuesta 65 de California, visite [www.P65Warnings.ca.gov](http://www.P65Warnings.ca.gov).

# INSTRUCCIONES DE SEGURIDAD



## LEA ESTE MANUAL ANTES DE LA OPERACIÓN

Este manual contiene información e instrucciones de seguridad importantes. **No** opere este producto hasta que haya leído y entendido completamente todas las instrucciones de seguridad, operación y mantenimiento enumeradas en este manual. El incumplimiento de la información contenida en este manual resultará en daños a la propiedad, lesiones y/o muerte.

**NOTA:** Las advertencias y precauciones discutidas en este manual no pueden cubrir todas las condiciones y situaciones que puedan ocurrir. El operador debe comprender que la conciencia y la precaución son factores que no se pueden incorporar a este producto y, por lo tanto, deben ser ejercidos por el operador.



## INSTRUCCIONES ADICIONALES

Junto con este manual, asegúrese de leer las instrucciones adicionales proporcionadas tanto en el producto como en el mismo, el equipo adjunto, los accesorios y el motor que alimenta el producto. Preste especial atención a todas las reglas e instrucciones de seguridad adicionales sobre los procedimientos adecuados de arranque, operación y apagado. Utilice siempre cualquier vestimenta protectora recomendada que pueda ser necesaria para operar el equipo de manera segura.



## SÍMBOLOS DE ALERTA DE PELIGRO

Asegúrese de comprender los símbolos de seguridad y las definiciones que se enumeran a continuación. Cada símbolo contiene una de cuatro palabras: **PELIGRO**, **ADVERTENCIA**, **PRECAUCIÓN**, **AVISO**, que indican diferentes niveles de severidad de peligro. Estos símbolos se utilizan a lo largo de este manual y se sigue la información sobre un peligro específico, las consecuencias del peligro y las instrucciones sobre cómo evitarlo. El no prestar atención a estos símbolos y seguir las instrucciones proporcionadas con ellos resultará en daños a la propiedad, lesiones y/o la muerte.



**PELIGRO:**

Indica una situación de peligro inminente que, si no se evita, provocará daños a la propiedad, lesiones graves y/o la muerte.



**ADVERTENCIA:**

Indica una situación potencialmente peligrosa que, si no se evita, podría provocar daños a la propiedad, lesiones graves y/o la muerte.



**PRECAUCION:**

Indica una situación peligrosa que, si no se evita, podría provocar daños a la propiedad y/o lesiones menores a moderadas.

**AVISO**

Indica información que se considera importante pero no está relacionada directamente con un peligro.



## **! ADVERTENCIA: SEGURIDAD DEL OPERADOR**

No leer y seguir el manual del operador y todas sus instrucciones antes de usar el producto podría provocar la MUERTE o LESIONES GRAVES. Lea atentamente este manual y conviértase en un fracaso con su hidrolavadora eléctrica. Conozca sus aplicaciones, sus limitaciones y los peligros involucrados.



## **! PELIGRO: PELIGRO DE ELECTROCUCIÓN**

La conexión incorrecta del conductor de puesta a tierra del equipo puede resultar en riesgo de electrocución. Consulte con un electricista calificado si tiene dudas sobre si el receptáculo está correctamente conectado a tierra. NO modifique el enchufe proporcionado con este producto. Si no encaja en el receptáculo, haga que un electricista calificado instale un receptáculo adecuado. NO utilice ningún tipo de adaptador con este producto.



## **! PRECAUCION: FUENTE DE ALIMENTACIÓN**

Esta lavadora a presión solo debe usarse con un receptáculo/enchufe dedicado de 120 V CA, 60 Hz a 15 o 20 amperios. Cualquier otro electrodoméstico en el circuito debe apagarse o desenchufarse cuando se usa la lavadora a presión. Nunca use la lavadora a presión con un adaptador que pueda generar un voltaje más alto o una corriente excesiva. Una corriente excesiva puede disparar el disyuntor. Consulte a un electricista calificado si no está seguro de la capacidad del receptáculo de suministro de energía deseado para alimentar de manera segura esta lavadora a presión.

**NO SE RECOMIENDA UTILIZAR UN CORDÓN DE EXTENSIÓN.** Sin embargo, si se requiere un cable de extensión, debe ser un **CABLE DE 3 CONECTORES CLASIFICADO PARA EXTERIORES**, que no tenga más de 50 pies (15m) de largo y tenga un mínimo de 14 AWG (2,5 mm<sup>2</sup>) de conductores. Siempre desenrolle el cable de extensión cuando esté en uso. **NO** use un cable de extensión que tenga la clavija de conexión a tierra dañada o faltante.

## **AVISO**

Este aparato no está diseñado para ser utilizado por personas (incluyendo niños) con capacidades físicas, sensoriales o mentales reducidas, o falta de experiencia y conocimiento, a menos que hayan recibido supervisión o instrucciones sobre el uso del aparato por parte de una persona responsable de su seguridad.

Los niños deben ser supervisados para asegurarse que no jueguen con el aparato.

### **Protección de interruptor de circuito de falla a tierra**

Esta lavadora a presión viene con un interruptor de circuito de falla a tierra (GFCI) integrado en el enchufe del cable de alimentación. Este dispositivo proporciona protección adicional contra el riesgo de descarga eléctrica.

En caso de que sea necesario reemplazar el enchufe o el cable, use solo piezas de repuesto idénticas que incluyan protección GFCI.

### **Instrucciones de puesta a tierra**

Esta lavadora a presión debe estar conectada a tierra. Si funciona mal o se avería, la conexión a tierra proporciona una ruta de menor resistencia para la corriente eléctrica para reducir el riesgo de descarga eléctrica. Este producto está equipado con un cable que contiene un conductor de puesta a tierra del equipo y un enchufe de puesta a tierra. El enchufe debe estar conectado a un receptáculo apropiado que esté correctamente instalado y conectado a tierra de acuerdo con todos los códigos y ordenanzas locales.

### **Sobrecarga térmica del motor**

El motor eléctrico de esta lavadora a presión está equipado con un dispositivo de protección contra sobrecarga térmica. Este dispositivo apagará automáticamente el motor si se sobrecalienta o consume demasiada corriente. Si se dispara la protección de sobrecarga, desconecte la alimentación girando el interruptor principal de ENCENDIDO/APAGADO a la posición de APAGADO (0). Deje que la unidad se enfríe durante treinta (30) minutos. Después de que la unidad se haya enfriado, gire el interruptor principal de ENCENDIDO/APAGADO a la posición de ENCENDIDO (I) para reanudar la operación.

### **Válvula de alivio térmico**

Cuando la temperatura dentro de la bomba sube a un valor predeterminado, esta válvula se abrirá permitiendo que salga el agua caliente y entre agua fría, enfriando la bomba. El valor se cerrará.

---

---

## **EQUIPO DE PROTECCIÓN PERSONAL(EPP)**

---

---

Es importante comprender qué equipo de protección personal (EPP) se debe utilizar al usar su lavadora a presión. A continuación se muestra una lista de artículos de EPP que deben utilizarse en todo momento cuando se usa la lavadora a presión.

Audición - Tapones para los oídos u orejeras para proteger su audición.

Visión - Anteojos o gafas de seguridad para proteger sus ojos.

Ropa - Pantalones largos para proteger las piernas de los escombros que son arrojados.

Zapatos - Zapatos que cubran completamente sus pies para protegerlos contra los escombros y el rocío.



# DESEMPAQUE

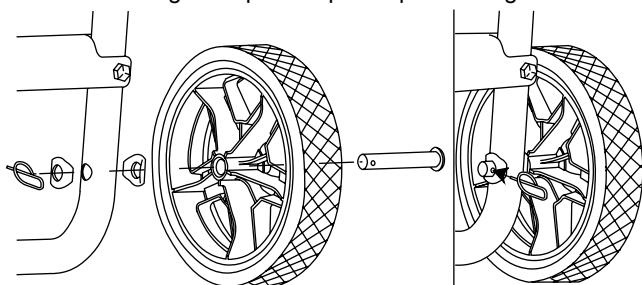
Siga los pasos descritos en esta sección para desempacar y ensamblar su lavadora a presión. Si tiene alguna pregunta sobre el desempaque o el ensamble de su lavadora a presión, tenga a mano su número de modelo y número de serie, y comuníquese con atención al cliente al 1-877-362-4271 o envíe un correo electrónico a [cservice@fna-group.com](mailto:cservice@fna-group.com).

1. Coloque el cartón de envío sobre una superficie sólida y plana.
2. Corte con cuidado la parte superior de la caja para abrirla.
3. Corte con cuidado cada esquina de la caja de arriba a abajo.
4. Coloque cada lado de la caja de cartón en el suelo.
5. Retire el contenido del cartón.

# ENSAMBLE

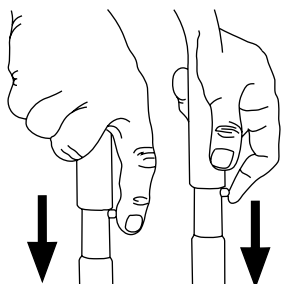
## 1. Instale las ruedas.

Deslice el pasador del eje a través de la rueda, la arandela formada, el marco y otra arandela formada. Deslice el clip a través del orificio en el pasador del eje para asegurar la rueda en su lugar. Repite los pasos para la segunda rueda.

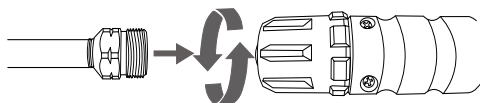


## 2. Instale el mango.

Coloque el mango en el marco, presione los botones a presión y deslice el conjunto del mango en el marco hasta que los botones a presión encajen en su lugar y bloqueen el mango al marco.



## Ensamble la pistola rociadora

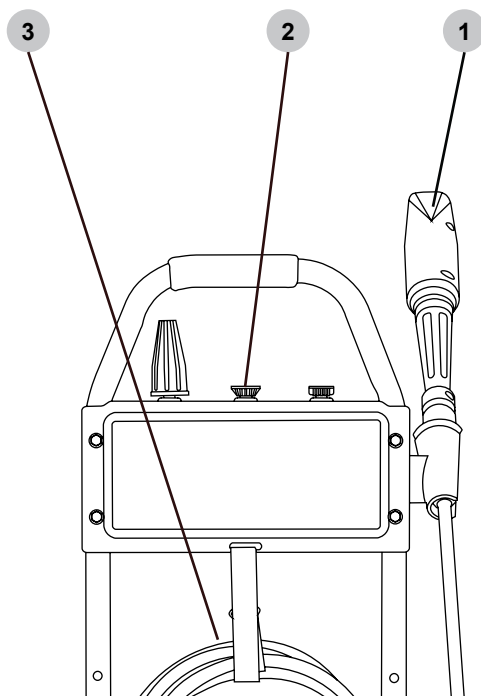


1. Asegure la lanza a la pistola girando cuidadosamente el acoplador sobre la pistola rociadora hasta que el acoplador deje de girar. No apriete en exceso. La mayoría de las roscas en la lanza no serán visibles si la lanza y la pistola se ensamblan adecuadamente. Tenga cuidado de no trasroscar la pistola y la lanza.

**¡ADVERTENCIA!** Las roscas del acoplador de la lanza y la pistola se pueden trasroscar fácilmente, lo que resulta en un montaje inadecuado. Un montaje incorrecto de la pistola y la lanza puede provocar lesiones personales. No lo use si las roscas del acoplador de la pistola y/o la lanza están trasroscadas.

## Organización de accesorios

1. Coloque la pistola rociadora y el ensamble de lanza en el soporte del tablero.
2. Empuje las boquillas en los pasacables de hule en el tablero. Nota: la etiqueta del tablero indica la ubicación correcta de las boquillas.
3. Cuelgue la manguera de alta presión en el soporte.

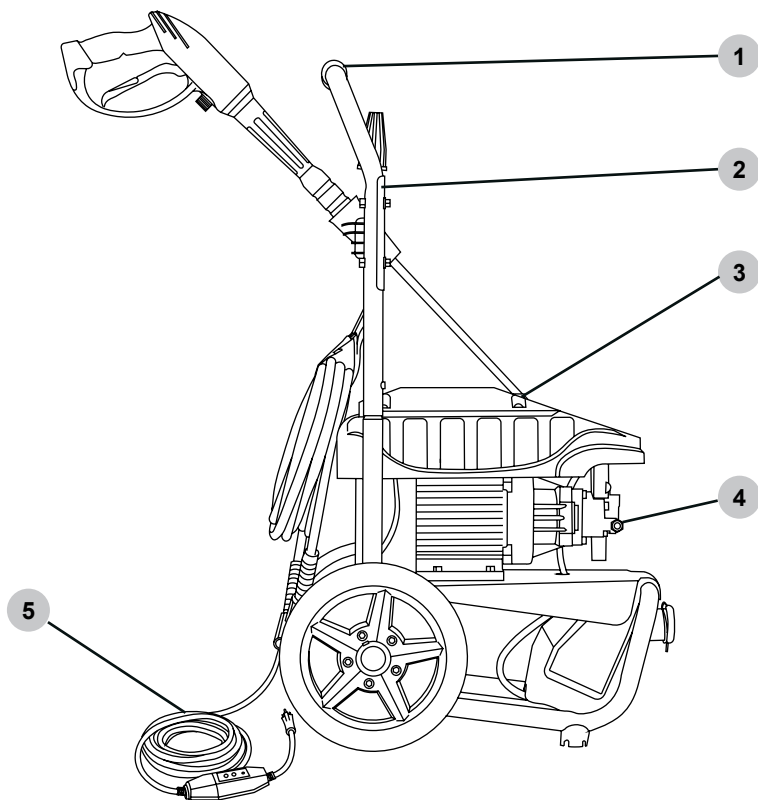


**ADVERTENCIA:**

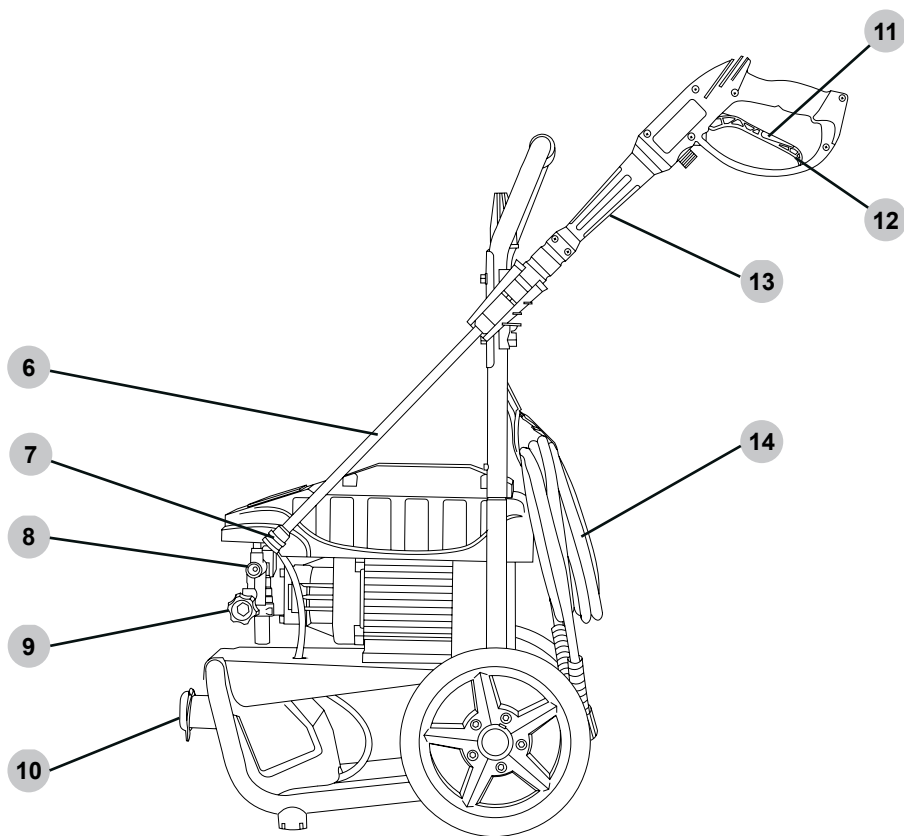
### LISTA DE VERIFICACIÓN DE OPERACIÓN

Intentar arrancar el motor incorrectamente o usar la lavadora a presión incorrectamente puede resultar en daño al motor y/o lavadora a presión, y puede causar lesiones serias o la muerte. Para evitar estos peligros, asegúrese de leer, comprender y seguir los pasos descritos en la sección LISTA DE VERIFICACIÓN DE OPERACIÓN del manual del propietario antes de arrancar el motor, y siga todas las pautas para el uso adecuado de la lavadora a presión.

# UBICACIÓN DE COMPONENTE



1. Manillar
2. Almacenamiento de accesorios
3. Interruptor principal de encendido/apagado
4. Válvula de alivio térmico
5. Cable de alimentación con GFCI integrado

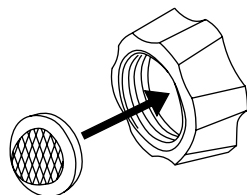


6. Varita rociadora
7. Conector rápido de varilla de rocío
8. Salida de bomba de alta presión
9. Acoplador de manguera de jardín y filtro de entrada de agua
10. Tanque de detergente
11. Bloqueo de gatillo de pistola rociadora
12. Gatillo de pistola rociadora
13. Pistola rociadora
14. Manguera de alta presión

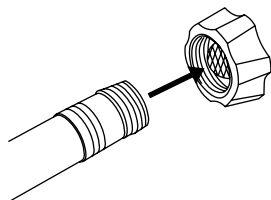
# CONEXIÓN DE MANGUERAS

Antes de conectar una manguera de suministro de agua, asegúrese que el suministro de agua sea capaz de proporcionar una fuente ininterrumpida de agua fría y limpia a una velocidad mínima de 5 galones por minuto (GPM) y 20 libras por pulgada cuadrada (PSI) de presión. Una vez que haya asegurado un suministro de agua adecuado, siga las instrucciones a continuación para conectar tanto el suministro de agua como las mangueras de alta presión a la lavadora a presión.

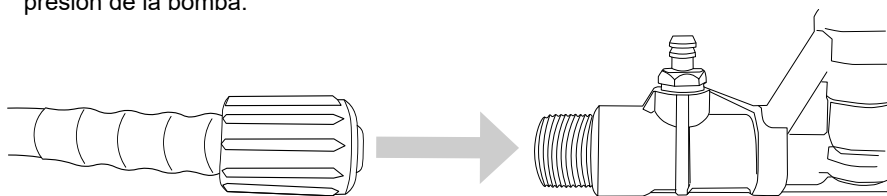
1. Verifique que el filtro de entrada esté libre de suciedad o escombros y que esté en su lugar con el lado convexo hacia afuera.



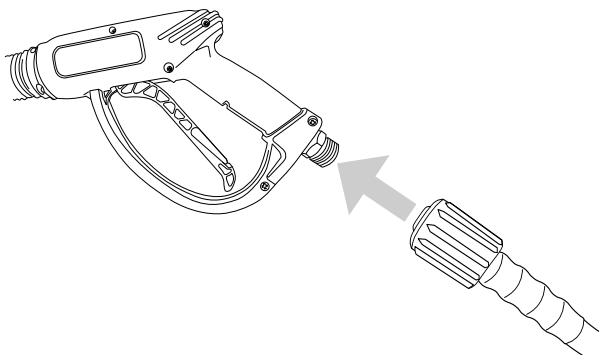
2. Abra el suministro de agua y déjelo correr durante 30 segundos para purgar cualquier residuo de la manguera de suministro. Después, cierre el suministro de agua y enrosque la manguera de suministro de agua en la entrada de la bomba.



3. Enrosque el conector de la manguera de alta presión en la salida de alta presión de la bomba.



4. Enrosque el conector de la manguera de alta presión en la pistola rociadora.



# PURGA DE AIRE DE LA BOMBA



## AVISO

### PURGA DE BOMBA

Operar una bomba de lavadora a presión sin agua dañará gravemente los sellos de la bomba y otros componentes internos. Para evitar este peligro, asegúrese que el suministro de agua sea ininterrumpido y de por lo menos 5 GPM a 20 PSI y siempre purgue el aire de la bomba de la lavadora a presión antes de arrancar el motor.



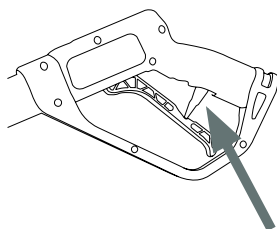
## ADVERTENCIA:

### LESIÓN POR INYECCIÓN

Las altas presiones creadas por una lavadora a presión pueden causar lesiones por inyección de líquido, laceraciones graves, amputaciones y/o la muerte. Para evitar estos peligros, siempre apunte la pistola rociadora y la lanza en una dirección segura cuando use una lavadora a presión y nunca intente tocar una fuga en una manguera o accesorio de alta presión.

Una bomba de lavado a presión está diseñada para funcionar con agua que fluye a través de ella. El agua lubrica y enfría los componentes internos de la bomba. Operar una bomba de lavadora a presión sin agua dañará gravemente los sellos de la bomba y otros componentes internos. Los daños causados por operar la bomba de la lavadora a presión sin agua no están cubiertos por la garantía. Asegúrese de seguir las instrucciones a continuación para purgar correctamente el aire de la bomba de la lavadora a presión antes de arrancar el motor.

1. Conecte todas las mangueras siguiendo los pasos descritos en la sección CONEXIÓN DE MANGUERAS de este manual y luego abra la fuente de agua fría.
2. Apunte la pistola rociadora en una dirección segura, después apriete y mantenga presionado el gatillo durante por lo menos 30 segundos o hasta que el agua fluya de manera constante y se purgue todo el aire de la bomba y las mangueras.
3. Revise las mangueras y conexiones respecto a fugas. Si se encuentran fugas, apague la máquina, apunte la pistola rociadora en una dirección segura y apriete el gatillo para aliviar cualquier presión acumulada en el sistema. Nunca intente tocar una fuga en una manguera o accesorio de alta presión. Nunca intente reparar una manguera de alta presión.
4. Conecte el seguro del gatillo.



# BOQUILLAS

## Selección de boquillas

Las boquillas suministradas con la lavadora a presión tienen patrones de rociado específicos diseñados para limpiar diferentes superficies. El uso de una boquilla incorrecta puede dañar las superficies. Consulte la siguiente tabla para seleccionar la boquilla correcta antes de usar la lavadora a presión. **NOTA:** La selección de boquillas incluidas puede variar según los modelos de lavadoras a presión.

Color	5-N-1 (si está equipado)	Patrón de rociado	Usos	Superficies
Rojo	0° HIGH PRESSURE	0°	Limpieza de puntos de superficies duras, sin pintar y áreas de alto alcance	Metal y hormigón sin pintar  NO usar en madera.
Amarillo	15° HIGH PRESSURE	15°	Limpieza intensa de superficies sin pintar	Parrillas, entradas para vehículos, pasillos de concreto y ladrillo, bloque y estuco sin pintar
Verde	25° HIGH PRESSURE	25°	Boquilla de limpieza estándar para la mayoría de aplicaciones	Herramientas de jardín, aceras, muebles de jardín, revestimientos sin pintar, estuco, canaletas, aleros, superficies de concreto y ladrillo
Blanco	40° HIGH PRESSURE	40°	Limpieza de superficies pintadas o delicadas	Automóvil, camión, RV, marino, madera, ladrillo pintado, estuco pintado, vinilo y revestimiento pintado
Negro	SOAP LOW PRESSURE	Jabón	Aplica soluciones de limpieza	Seguro en todas las superficies. Siempre verifique la compatibilidad de las soluciones de limpieza antes de su uso.



## AVISO

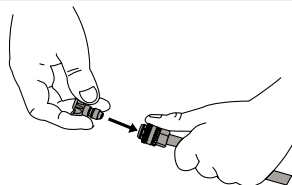
### DAÑO POR ROCÍO

El rociado de alta presión puede dañar las plantas y otras superficies. Para evitar causar daños, cubra las plantas antes de rociar cerca de ellas, consulte la tabla de Selección de boquillas en este manual para la selección correcta de boquillas y pruebe las superficies antes de rociar para asegurarse que sean lo suficientemente fuertes para resistir el rociado de alta presión.

## Instalación de boquillas

Si el motor está funcionando, asegúrese que el bloqueo del gatillo esté en la posición bloqueada antes de retirar e instalar las boquillas.

Para colocar una boquilla en la varilla de rociado, jale el acoplador de conexión rápida hacia atrás, inserte la boquilla y luego suelte el acoplador para que vuelva a colocarse en su lugar. Una vez instalada, jale la boquilla para asegurarse que quede fija.



# LISTA DE VERIFICACIÓN DE OPERACIÓN

## Ubicación

**NO SE RECOMIENDA UTILIZAR UN CORDÓN DE EXTENSIÓN.** Sin embargo, si se requiere un cable de extensión, debe ser un **CABLE DE 3 CONECTORES CLASIFICADO PARA EXTERIORES**, que no tenga más de 50 pies (15m) de largo y tenga un mínimo de 14 AWG (2,5 mm<sup>2</sup>) de conductores. Siempre desenrolle el cable de extensión cuando esté en uso. **NO** use un cable de extensión que tenga la clavija de conexión a tierra dañada o faltante.

## Condiciones de operación

Antes de cada uso, verifique si hay piezas sueltas o dañadas, fugas y/o cualquier otra condición que pueda afectar la operación correcta. Repare o reemplace todas las partes dañadas y/o defectuosas inmediatamente. Mantenga siempre todas las protecciones de seguridad en su lugar y en buen estado de operación. Por razones de seguridad, el fabricante recomienda que todo el mantenimiento y las reparaciones las realice un centro de servicio autorizado.

Antes de arrancar el motor, elimine el exceso de suciedad y escombros de las rejillas de ventilación, el escape y las áreas de retroceso del motor de arranque. Siempre opere la lavadora a presión en una superficie nivelada y nunca mueva ni incline la lavadora a presión mientras está en operación. Use la lavadora a presión sólo para el propósito para el que fue diseñada. Si tiene preguntas sobre el uso adecuado de su lavadora a presión, comuníquese con el servicio de atención al cliente al 1-877-362-4271 o [cservice@fnagroup.com](mailto:cservice@fnagroup.com).



**ADVERTENCIA:**

**OPERACIÓN SIN  
CAPACITACIÓN**

Los adultos y los niños no capacitados pueden sufrir lesiones graves o morir si se les permite operar incorrectamente o jugar con la lavadora a presión en funcionamiento. Para evitar estos peligros, asegúrese que cualquier persona que opere la lavadora a presión reciba instrucciones adecuadas, entienda la operación segura, y haya leído el manual del propietario antes de operar este producto. No permita que niños operen la lavadora a presión sin supervisión de los padres. Mantenga a los niños y mascotas alejados de la lavadora a presión mientras esté en operación. Siempre apague la lavadora a presión antes de abandonar el área.



**ADVERTENCIA:**

**REVISIÓN ANTES DE  
OPERACIÓN**

No revisar este producto antes de su uso podría crear una situación peligrosa que resulte en daños al producto, lesiones graves y/o la muerte. Para evitar estos peligros, revise la lavadora a presión antes de cada uso. Verifique si hay partes sueltas o dañadas, señales de fugas de aceite o combustible, protecciones faltantes, ventilas de enfriamiento obstruidas, o cualquier otra condición que pueda afectar la operación adecuada. Repare o reemplace todas las partes dañadas o defectuosas y mantenga todas las protecciones de seguridad en su lugar y en buenas condiciones de operación antes de usar la lavadora a presión.



**ADVERTENCIA:****LESIÓN POR INYECCIÓN**

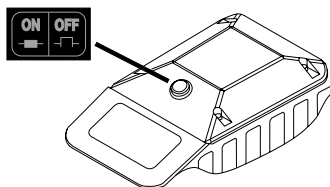
Las altas presiones creadas por una lavadora a presión pueden causar lesiones por inyección de líquido, laceraciones graves, amputaciones y/o la muerte. Para evitar estos peligros, siempre apunte la pistola rociadora y la lanza en una dirección segura cuando use una lavadora a presión y nunca intente tocar una fuga en una manguera o accesorio de alta presión.

**ADVERTENCIA:****PARTES MÓVILES**

Este producto tiene muchas partes que se mueven a altas velocidades. Las partes móviles pueden causar lesiones por aplastamiento, fracturas, laceraciones severas, y/o amputaciones traumáticas. Para evitar lesiones, nunca coloque los dedos, manos, pies, u otras partes del cuerpo cerca del motor en operación. Nunca opere el productor con las cubiertas, aros de refuerzo u otras protecciones retirados. No use ropa holgada, cordones que cuelguen, o cualquier otro artículo que cuelgue que se pudiera enredar en las partes móviles durante la operación. Ate el cabello largo y quítese las joyas antes de operar.

## ENCENDIDO DE LA LAVADORA A PRESIÓN

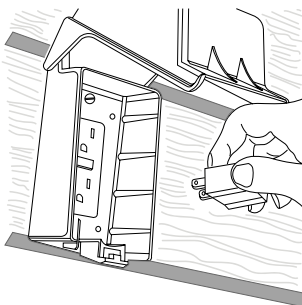
1. Conectar las mangueras como se indica en la página 11.
2. Abra el agua y purga el sistema de aire como se indica en la página 12.
3. Inserte la boquilla deseada como se indica en la página 13.
4. Asegúrese de que el interruptor principal de ON/OFF esté en la posición de OFF (0).

**PRECAUCIÓN:****FUENTE DE ALIMENTACIÓN**

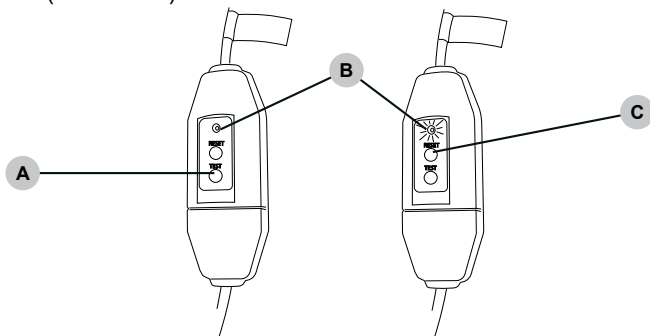
Esta lavadora a presión solo debe usarse con un receptáculo/enchufe dedicado de 120 V CA, 60 Hz a 15 o 20 amperios. Cualquier otro electrodoméstico en el circuito debe apagarse o desenchufarse cuando se usa la lavadora a presión. Nunca use la lavadora a presión con un adaptador que pueda generar un voltaje más alto o una corriente excesiva. Una corriente excesiva puede disparar el disyuntor. Consulte a un electricista calificado si no está seguro de la capacidad del receptáculo de suministro de energía deseado para alimentar de manera segura esta lavadora a presión.

**NO SE RECOMIENDA UTILIZAR UN CORDÓN DE EXTENSIÓN.** Sin embargo, si se requiere un cable de extensión, debe ser un **CABLE DE 3 CONECTORES CLASIFICADO PARA EXTERIORES**, que no tenga más de 50 pies (15m) de largo y tenga un mínimo de 14 AWG (2,5 mm<sup>2</sup>) de conductores. Siempre desenrolle el cable de extensión cuando esté en uso. **NO** use un cable de extensión que tenga la clavija de conexión a tierra dañada o faltante.

5. Enchufe el cable de alimentación eléctrica en un receptáculo con conexión a tierra clasificado para 120 voltios CA a 15 amperios que se haya instalado correctamente de acuerdo con todos los códigos y ordenanzas locales. La luz indicadora del GFCI debe estar iluminada (ENCENDIDA).



6. Pulse el botón TEST (A). La luz indicadora (B) ahora debe estar apagada (APAGADA).



7. Presione el botón RESET (C). La luz indicadora (B) ahora estará iluminada (ENCENDIDA).

**AVISO:** NO use la lavadora a presión si falla la prueba anterior.

8. Presione el botón principal de ON/OFF en la lavadora a presión a la posición de ENCENDIDO (I).
9. Apunte el arma en una dirección segura, abra el seguro del gatillo y apriete el gatillo. El motor de la hidrolavadora eléctrica arrancará cuando se presione el gatillo de la pistola rociadora y seguirá funcionando incluso cuando se suelte.

# APAGADO DE LA LAVADORA A PRESIÓN



**AVISO**

**DAÑO A LA BOMBA**

Cerrar el suministro de agua a su bomba con el motor eléctrico en marcha dañará la bomba. Los daños causados por hacer funcionar la bomba sin agua no están cubiertos por la garantía. Para evitar este peligro, apague siempre el motor eléctrico antes de cerrar el suministro de agua.

1. Ajuste el seguro del gatillo en la pistola rociadora.
2. Presione el botón principal de ON/OFF en la lavadora a presión a la posición de APAGADO (0)
3. Cierre el suministro de agua.
4. Suelta el seguro del gatillo y luego apriete el gatillo de la pistola rociadora para aliviar la presión en la manguera y la bomba.
5. Permita que la lavadora a presión se enfríe por completo antes de manipularla y almacenarla.

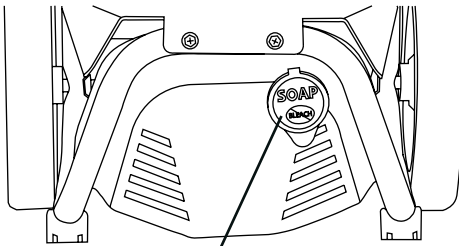
# USO DE PRODUCTOS QUÍMICOS



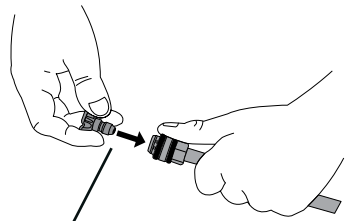
**AVISO**

**LÍQUIDOS VOLÁTILES**

El lavado a presión con líquidos volátiles, inflamables o corrosivos podría causar daños, incendio o explosión en la lavadora a presión y provocar lesiones graves y/o la muerte. Para evitar estos peligros, use únicamente jabones y productos químicos aprobados, no intente lavar a presión con líquidos volátiles, inflamables o corrosivos y NUNCA use blanqueador.



**A**



**B**

1. Llene el tanque de detergente (A) con un detergente de limpieza apto para lavadoras a presión.
2. Inserte la boquilla de jabón negra (B) en la varilla.
3. Asegúrese de que todas las mangueras estén conectadas, que la fuente de agua esté abierta y que se haya purgado el aire del sistema.
4. Encienda la lavadora a presión.
5. Aplique detergente a una superficie seca, comenzando en la parte más baja del área a lavar y trabaje hacia arriba con movimientos largos, uniformes y superpuestos.
6. Deje que el detergente se asiente en la superficie durante 3 a 5 minutos antes de lavar y enjuagar. Vuelva a aplicar según sea necesario para evitar que la superficie se seque. No permita que el detergente se seque.
7. Una vez que se haya aplicado el detergente a las superficies, retire la boquilla de jabón.
8. Con la boquilla de alta presión adecuada, enjuague la superficie comenzando por la parte superior y siga hacia abajo.

**NOTA:** debe enjuagar el sistema de detergente cuando haya completado el trabajo de limpieza. Llene el tanque con agua fresca, luego, usando la boquilla de jabón, haga funcionar el sistema durante dos minutos hasta que ya no salgan señales de jabón ni espuma de la boquilla.

Si no se enjuaga correctamente el sistema de detergente, se puede obstruir el filtro de detergente, la manguera de detergente e incluso dañar la bomba. Unos minutos de tiempo pueden ahorrarle muchos problemas la próxima vez que use su lavadora a presión.

# CONSEJOS DE OPERACIÓN

---

## Términos

- PSI - Libras por pulgada cuadrada (PSI) es la unidad para medir la presión del agua. En relación con una lavadora a presión, cuanto mayor sea el número de PSI, mayor será la presión y el potencia de extracción producidos.
- GPM - Galones por minuto (GPM) es el caudal de agua. En relación a una lavadora a presión, cuanto mayor sea el GPM, mayor será el caudal o potencia de enjuague producida.
- CU - Las unidades de limpieza expresan la eficiencia de la lavadora a presión. Las unidades de limpieza se calculan multiplicando el PSI por el GPM. Cuanto mayor sea la CU, será más eficiente la lavadora a presión.

## Preparación

- Lea todas las advertencias e instrucciones en éste y todos los manuales que vienen con la lavadora a presión.
- Retire todos los juguetes, bicicletas, muebles de jardín, etc. del área de trabajo si no se van a limpiar.
- Barra la suciedad suelta y los escombros de la superficie que lavará a presión.
- Cubra las plantas cercanas para evitar dañarlas con el rociador de agua a presión.
- Tenga cuidado al rociar ventanas. Utilice siempre la boquilla blanca de 40° y manténgase por lo menos a 4 pies de distancia.
- Coloque lonas para recoger los pedazos de pintura y otros desechos que se desprendan con el rocío. Las pinturas exteriores usadas antes de 1977 pueden contener plomo y producirán astillas que deberán recolectarse y desecharse en una instalación de desechos peligrosos.

## Lavado a presión

- Un rociado más ancho equivale a una limpieza más rápida, mientras que un rociado más apretado equivale a una limpieza más profunda.
- Mantenga la boquilla a unos 4 pies de distancia del revestimiento para evitar daños.
- Comience a lavar el revestimiento en la parte inferior y avance hacia arriba, luego enjuague de arriba hacia abajo.
- Evite que el agua suba detrás del revestimiento.
- Utilice pasadas superpuestas para una limpieza uniforme.
- Trabaje en áreas pequeñas para evitar que el jabón se seque.
- No apunte la boquilla directamente a la superficie. Sostenga la varita en un ángulo de 45° con respecto a la superficie a una distancia que limpie bien sin causar daños.

# SOLUCIÓN DE PROBLEMAS

PROBLEMA	CAUSA POSIBLE	SOLUCIÓN
La lavadora a presión no arranca o se dispara el disyuntor.	El cable de alimentación no está conectado.	Enchufe el cable en un receptáculo de 120 voltios y 15 amperios.
	El disyuntor de la casa está disparado.	Restablezca el disyuntor.
	El receptáculo equipado con GFCI está disparado.	Restablezca el GFCI presionando el botón RESET.
	El GFCI en el cable de alimentación está disparado.	Restablezca el GFCI presionando el botón RESET.
	El interruptor principal ON/OFF está en la posición OFF.	Mueve el interruptor a la posición ON.
	El interruptor térmico dentro del motor eléctrico se ha disparado debido a un sobrecalentamiento.	Gire el interruptor principal de ON/OFF a la posición de OFF. Deje que la unidad se enfríe durante 30 minutos.
	La lavadora a presión está conectada a un receptáculo/enchufe que comparten otros dispositivos dentro del circuito.	Retire todos los demás dispositivos del circuito.
	La lavadora a presión está conectada a un circuito mediante un cable de extensión.	Retire el cable de extensión. Enchufe el cable de alimentación de la lavadora a presión directamente en un receptáculo de 120 voltios y 15 amperios. Consulte FUENTE DE ALIMENTACIÓN, página 5.
La lavadora a presión crea una presión de rociado de agua baja o nula.	Hay aire en las mangueras y/o en la bomba.	Consulte la sección CEBADO DE LA BOMBA de este manual para eliminar el aire de la bomba y las mangueras.
	El suministro de agua es insuficiente.	Asegúrese de que la presión del suministro de agua sea de al menos 5 gpm a 20 PSI.
	La boquilla está obstruida.	Limpia la boquilla según la sección de MANTENIMIENTO de este manual.
	La pantalla de entrada de agua está obstruida.	limpia el agua rejilla de entrada según la sección MANTENIMIENTO de este manual.

<b>PROBLEMA</b>	<b>CAUSA POSIBLE</b>	<b>SOLUCIÓN</b>
El detergente no se mezcla con el spray.	El tubo transparente está obstruido o agrietado.	Limpe o reemplace el tubo transparente.
	El tubo transparente no está conectado a la bomba.	Conecte el tubo transparente al conector de detergente en la bomba.
	Boquilla incorrecta utilizada.	Instale la boquilla de jabón negro en la varita.
	Detergente demasiado grueso.	Agregue agua al detergente para que tenga la consistencia del agua.

---



---

## **MANTENIMIENTO**

---



---

Por razones de seguridad, el fabricante recomienda que todos los servicios y reparaciones de la lavadora a presión sean realizados por un centro de servicio autorizado. Todos los reemplazos o reparaciones bajo garantía deben ser realizados por un centro de distribución o servicio autorizado. Para encontrar un centro de servicio autorizado cerca de usted, hacer un reclamo de garantía u obtener una reparación de garantía autorizada, llame al 1-877-362-4271 o envíe un correo electrónico a [cservice@fna-group.com](mailto:cservice@fna-group.com).

Es responsabilidad del propietario y/o del operador completar todo el mantenimiento programado antes de operar la lavadora a presión. Asegúrese de seguir las recomendaciones de inspección y mantenimiento que se enumeran en todos los manuales que acompañan a esta unidad.

---

### **Mantenimiento**

Antes de cada uso, revise la lavadora a presión respecto a fugas, piezas sueltas o dañadas y cualquier otra condición que pueda afectar la operación correcta. Asegúrese que todas las protecciones de seguridad estén en su lugar y en buenas condiciones de operación. Revise todas las rejillas de ventilación y las ranuras de enfriamiento para asegurarse que estén limpias y sin obstrucciones. Repare o reemplace todas las partes dañadas o defectuosas inmediatamente. Por razones de seguridad, el fabricante recomienda que todos los servicios y reparaciones de la lavadora a presión sean realizados por un centro de servicio autorizado. Nunca intente reparar una manguera de alta presión.

---

### **Limpieza de lavadora a presión**

Siempre limpie la lavadora a presión con el motor apagado y frío. Para limpiar la lavadora a presión, primero use un compresor de aire ajustado a no más de 25 PSI para limpiar la suciedad y los escombros de las superficies, las rejillas de ventilación y las ranuras de enfriamiento de la lavadora a presión. Después, limpie el exterior con un paño húmedo.



## AVISO

### LIMPIEZA

El agua puede dañar los componentes del motor de la lavadora a presión si se deja entrar a través de las ranuras de enfriamiento u otros orificios. Los daños causados por la entrada de agua no están cubiertos por la garantía. Para evitar daños por agua en el motor, no use una lavadora a presión, manguera de jardín o cualquier otra fuente de agua corriente para limpiar el motor de la lavadora a presión, y nunca sumerja el motor de la lavadora a presión en ningún líquido.



## AVISO

### LIMPIADORES QUIMICOS

El uso de limpiadores químicos y/o líquidos corrosivos puede dañar los sellos de la lavadora a presión y componentes internos. Daños causados por limpiadores químicos y líquidos corrosivos no están cubiertos por la garantía. Para evitar estos peligros, utilice únicamente productos de limpieza aprobados, nunca use blanqueador y siempre deje correr agua limpia a través de la lavadora a presión después de usar productos químicos de limpieza.

## Conexiones

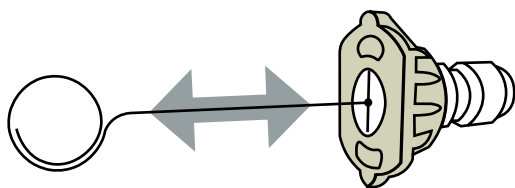
Las conexiones de la manguera, la pistola rociadora y la bomba deben limpiarse y lubricarse con una capa delgada de grasa de litio con regularidad para evitar daños y fugas en los anillos O.

## Limpieza de boquillas

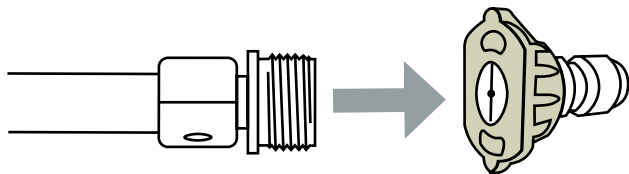
Si una boquilla se obstruye, la bomba puede vibrar y los patrones de rociado pueden cambiar. Si no se limpia la boquilla, se puede desarrollar una presión excesiva que posiblemente dañe la bomba u otros accesorios. Revise las boquillas antes de usarlas y siga las instrucciones de esta sección para el procedimiento de limpieza de las boquillas adecuado.

1. Apague la lavadora a presión.
2. Cierre el suministro de agua.
3. Apunte la pistola rociadora en una dirección segura y apriete el gatillo para aliviar la presión del agua.
4. Ajuste el bloqueo del gatillo.
5. Retire la boquilla del conector rápido de la lanza.
6. Elimine cualquier obstrucción de la boquilla insertando la herramienta de limpieza de boquillas incluida.





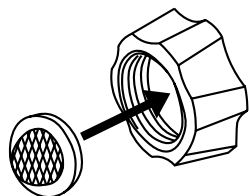
7. Enjuague cualquier residuo suelto de la boquilla dirigiendo una manguera de jardín en funcionamiento hacia la salida de la boquilla durante por lo menos 30 segundos.



## Filtro de entrada de agua

Antes de cada uso, verifique el filtro de entrada y límpielo siguiendo los pasos a continuación. Nunca opere la lavadora a presión sin el filtro de entrada correctamente instalado.

1. Retire el filtro del acoplador de la manguera de jardín.
2. Use agua de una manguera de jardín corriente para limpiar ambos lados del filtro.
3. Inserte el filtro limpio en la entrada de la bomba con el lado convexo hacia afuera.



---

## Mantenimiento de la bomba

La bomba de esta unidad tiene un diseño libre de mantenimiento. La bomba estaba llena de aceite en el fábrica y no tiene drenaje de aceite ni tapones de llenado. Si hay un problema con la bomba en esta presión llamada de lavadora 1-877-362-4271 o envíe un correo electrónico a [cservice@fna-group.com](mailto:cservice@fna-group.com).

# ALMACENAMIENTO DE LA LAVADORA A PRESIÓN

---

---

1. Apague la lavadora a presión y desconecte el cable eléctrico.
2. Apriete el gatillo para liberar cualquier presión almacenada.
3. Desconecte la manguera de alta presión de la bomba y la pistola.
4. Sostenga la pistola rociadora en un plano vertical; apriete el gatillo para eliminar el agua atrapada.
5. Retire el agua atrapada de la manguera de alta presión; bobina para almacenamiento.
6. Proteja la bomba utilizando el protector de bomba SIMPSON® según la sección USO DEL PROTECTOR DE BOMBA de este manual.
7. Guarde la lavadora a presión y sus accesorios en un lugar fresco y seco, fuera de la luz solar directa.

# USO DE PUMP GUARD SIMPSON®



## AVISO

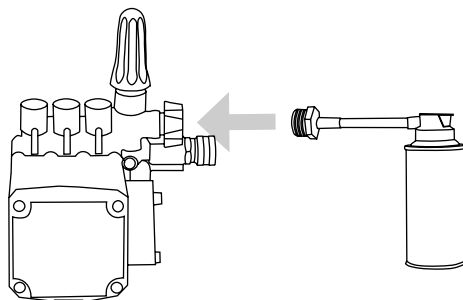
## DAÑO DE LA BOMBA

Dejar agua dentro de la bomba durante un clima helado causará daños severos a la bomba. Para evitar daños costosos, siempre trate la bomba con Pump Guard SIMPSON® para eliminar el agua atrapada y llenar la bomba con una solución lubricante y anticongelante.

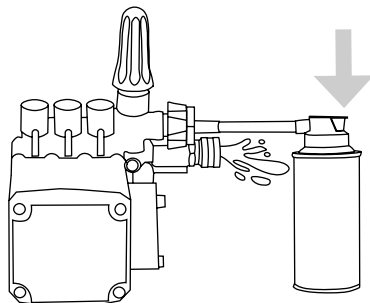
Pump Guard SIMPSON® (se compra por separado) está formulado para proteger su bomba durante el almacenamiento a largo plazo y contra daños por congelamiento. Pump Guard debe usarse durante toda la temporada para mantener los sellos flexibles y bien lubricados. Antes de almacenar la unidad para el invierno o para cuando haya posibilidad de heladas, use Pump Guard para eliminar todo rastro de agua de las cavidades internas mientras las llena con una solución anticongelante. Pump Guard es un seguro para su inversión, utilícelo.

Simplemente use Pump Guard siguiendo estos sencillos pasos:

1. Atornille el adaptador Pump Guard en la entrada de la manguera de jardín de la bomba.



2. Mantenga presionado el botón hasta que toda el agua y Pump Guard comiencen a salir del puerto de alta presión.



3. Desenrosque el Pump Guard y luego prepare la lavadora a presión para almacenarla como se describe en ALMACENAMIENTO Y TRANSPORTE.

# GARANTÍA LIMITADA

Productos de consumo

## TÉRMINOS DE LA COBERTURA DE LA GARANTÍA:

El fabricante de este producto acepta reparar o reemplazar las piezas designadas que resulten defectuosas dentro del período de garantía que se indica a continuación, a discreción exclusiva del fabricante. Se aplican limitaciones/extensiones y exclusiones específicas.

Esta garantía cubre defectos de material y mano de obra y no fallas en las piezas debido al desgaste normal, depreciación, abuso, daño accidental, negligencia, uso inapropiado, mantenimiento, calidad del agua y almacenamiento. Para hacer un reclamo bajo los términos de la garantía, todas las piezas que se digan defectuosas deben conservarse y estar disponibles para su devolución previa solicitud a un Centro de servicio de garantía designado para la inspección de la garantía. Los juicios y decisiones del fabricante con respecto a las reclamaciones de garantía son definitivos.

Estas garantías pasan al usuario final y no son transferibles. Como centro de servicio de garantía autorizado y capacitado por la fábrica, la fábrica respetará los términos de todas las garantías de los componentes y satisfará las reclamaciones de las disposiciones de garantía correspondientes. Los elementos de desgaste normal incluyen, entre otros, elementos como válvulas y sellos, que no están cubiertos por esta garantía.

Esta garantía reemplaza todas las garantías, expresas o implícitas, incluidas, entre otras, las garantías de comerciabilidad o idoneidad para un propósito particular y el fabricante renuncia y excluye todas esas garantías. La obligación de la garantía del fabricante se limita a la reparación y el reemplazo de productos defectuosos según lo dispuesto en este documento y el fabricante no será responsable de ninguna pérdida, daño o gasto adicional, incluidos los daños por envío, accidente, abuso, casos fortuitos, mal uso o negligencia. Tampoco lo son los daños por reparaciones con piezas no compradas al fabricante o alteraciones realizadas por personal no autorizado por la fábrica. La falta de instalación y operación del equipo de acuerdo con las pautas establecidas en el manual de instrucciones anulará la garantía.

## ESTA GARANTÍA NO CUBRE:

Mercancía vendida como reacondicionada, usada como equipo de alquiler, usada para aplicaciones comerciales o comerciales, y unidades usadas como modelos de piso o exhibición, daños resultantes del envío (los reclamos deben presentarse con el carguero), accidente, abuso, fuerza mayor, mal uso o negligencia. Esta garantía tampoco cubre daños por reparaciones o alteraciones realizadas por personal no autorizado por la fábrica o la falta de instalación y operación del equipo de acuerdo con las pautas establecidas en el manual de instrucciones. El fabricante no será responsable ante ninguna persona por daños indirectos, lesiones personales o pérdidas comerciales.

## RESPONSABILIDAD DEL COMPRADOR ORIGINAL (USUARIO INICIAL):

Para procesar un reclamo de garantía en su lavadora a presión SIMPSON®, informe la inquietud al 1-877-362-4271 o [cservice@fna-group.com](mailto:cservice@fna-group.com) para obtener autorización y dirección al centro de servicio autorizado más cercano en su área. Conserve el recibo original de la caja registradora como prueba de compra para el trabajo de garantía.

Tenga cuidado razonable en la operación y el mantenimiento del producto como se describe en el Manual del propietario.

## LO QUE NO CUBRE ESTA GARANTÍA:

- Daño de freight
- Daño debido al deterioro químico, acumulación de incrustaciones, óxido, corrosión o expansión térmica
- Daño por congelación
- Daños causados por piezas o accesorios no obtenidos de un distribuidor autorizado o no aprobados por el fabricante
- Desgaste normal de piezas móviles o componentes afectados por piezas móviles

## PERÍODOS DE COBERTURA DE GARANTÍA:

### Motor eléctrico (DEFECTOS DE MATERIAL Y MANO DE OBRA)

- UNO (1) año desde la fecha de compra

### BOMBA DE ALTA PRESIÓN (DEFECTOS DE MATERIAL Y MANO DE OBRA)

- UNO (1) año desde la fecha de compra

### MARCO (DEFECTOS EN MATERIALES Y MANO DE OBRA)

- UNO (1) año desde la fecha de compra

### ACCESORIOS (DEFECTOS DE MATERIAL Y MANO DE OBRA)

- Boquillas, mangueras, pistolas rociadoras, varillas, llantas, pies de goma: Noventa (90) días a partir de la fecha de compra

### DECLARACIÓN DE INTENCIÓN Y USO

- Esta es una línea de productos de consumo que NO está diseñada para usarse en aplicaciones comerciales. Esta garantía no cubre ningún producto utilizado con fines comerciales o de alquiler, o cualquier otro propósito que genere ingresos.

# NOTAS

---

---

**ESTA PÁGINA SE DEJÓ EN BLANCO INTENCIONALMENTE**

**ESTA PÁGINA SE DEJÓ EN BLANCO INTENCIONALMENTE**





**LEA ESTE MANUAL DETENIDAMENTE ANTES DE LA OPERACIÓN**

El incumplimiento de las instrucciones y precauciones de seguridad de este manual puede provocar daños a la propiedad, lesiones graves y/o la muerte.

**CONSERVE ESTE MANUAL PARA FUTURA REFERENCIA**