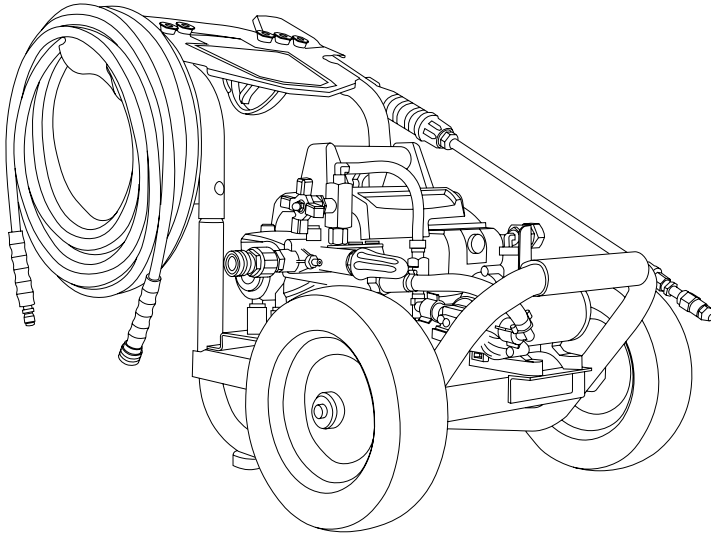




PRESSURE WASHER

USE AND CARE MANUAL

For 61102



READ THIS MANUAL CAREFULLY BEFORE OPERATION

Failure to follow the instructions and safety precautions in this manual can result in property damage, serious injury and/or death.

If your pressure washer is not working or if there are parts missing or broken, please **DO NOT RETURN IT TO THE PLACE OF PURCHASE**. Contact our Customer Service Department by calling **1-877-362-4271** or emailing **cservice@fna-group.com**

SAVE THIS MANUAL FOR FUTURE REFERENCE

NOTE: Photographs and line drawings used in this manual are for reference only and may not represent your specific model.

NOTES

THIS PAGE WAS INTENTIONALLY LEFT BLANK

SAVE THIS MANUAL FOR FUTURE USE

Keep this manual for future reference. This manual should be considered a permanent part of the product and stay with it. This manual should be available to anyone operating the product(s) it covers. This manual should remain with the product(s) it covers if sold to a new owner. If the manual becomes damaged, lost, or otherwise unusable, you may download a new copy from the product pages at www.simpsoncleaning.com or contact customer support by calling 1-877-362-4271.

Write down the model number, serial number, and purchase date of this product in the spaces provided below then keep this manual with the purchase receipt(s) for future reference.

Model Number:

Serial Number:

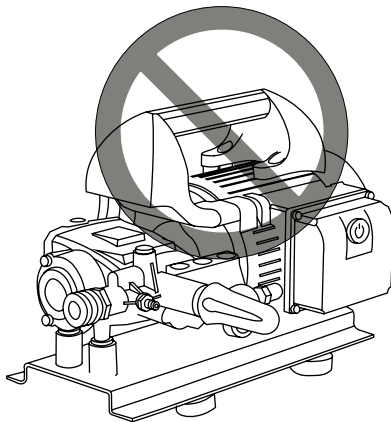
Purchase Date:



CAUTION:

OPERATOR SAFETY

Lifting the pressure washer by the motor handle can result in damage to the machine and potential injury. To avoid damaging the pressure washer, be sure to lift the pressure washer by grasping the metal frame only.



DISCLAIMERS

- All information in this publication was based on the latest product information available at the time of printing. The FNA Group reserves the right to update, change, and/ improve the product and this document at any time, without notice, and without incurring any obligation.
- This manual may cover more than one machine. The pictures and figures in the manual should be used for reference only. There may be differences between your product and the pictures, drawings, and diagrams in this manual.

TABLE OF CONTENTS

DISCLAIMERS	1
SAFETY INSTRUCTIONS	4
Read this Manual Before Operating	4
Additional Instructions	4
Hazard Alert Symbols	4
PERSONAL PROTECTIVE EQUIPMENT	7
UNPACKING	8
ASSEMBLY	8
Install Knob-style Handle	8
Adding the Pump Breather Cap	8
Assemble the Spray Gun	9
Organize Accessories	9
COMPONENT LOCATION	10
OPERATING CHECKLIST	12
Location	12
Operating Conditions	12
MISTING OPERATION	14
Connecting Hoses	14
Setting the Metering Valve	15
Starting the Mister	15
Application of Mist	17
Shutting Off and Cleaning the Mister	18
HIGH-PRESSURE WASHER OPERATION	19
Connecting Hoses	19
Setting the Metering Valve	20
Purging Air from the Pump	20
Nozzle Selection	21
Nozzle Installation	22
Starting the Pressure Washer	22
Shutting off the Pressure Washer	24

USING CHEMICALS	25
OPERATION TIPS	26
Terms	26
Preparation	26
Pressure Washing	26
Adjusting Pressure	26
TROUBLESHOOTING	27
MAINTENANCE	29
Maintenance	29
Cleaning the Pressure Washer	29
Connections	29
Nozzle Cleaning	30
Water Inlet Filter	30
Pump Maintenance	31
STORING THE PRESSURE WASHER	31
USING SIMPSON® PUMP GUARD	32
WARRANTY	33

SAFETY INSTRUCTIONS



READ THIS MANUAL BEFORE OPERATING

This manual contains important safety information and instructions. **Do not** operate this product until you have read, and completely understand all safety, operation, and maintenance instructions listed in this manual. Failure to follow the information contained in this manual will result in property damage, injury, and/or death.

NOTE: The warnings and precautions discussed in this manual cannot cover all conditions and situations that may occur. The operator must understand awareness and caution are factors which cannot be built into this product and so must be exercised by the operator.



ADDITIONAL INSTRUCTIONS

Along with this manual, be sure to read any additional instructions provided both on and with the product, attached equipment, accessories, and the engine powering the product. Pay careful attention to all additional safety rules and instructions on proper startup, operation, and shutdown procedures. Always use any recommended protective apparel that may be needed to operate the equipment safely.



HAZARD ALERT SYMBOLS

Be sure to understand the safety symbols and definitions listed below. Each symbol contains one of four words: **DANGER**, **WARNING**, **CAUTION**, **NOTICE**, indicating different levels of hazard severity. These symbols are used throughout this manual and are followed by information about a specific hazard, the consequences of the hazard, and instructions on how to avoid the hazard. Failure to heed these symbols and follow the instructions provided with them will result in property damage, injury, and/or death.



DANGER:

Indicates an imminently dangerous situation, which if not avoided, will result in property damage, serious injury, and/or death.



WARNING:

Indicates a potentially hazardous situation, which if not avoided, could result in property damage, serious injury, and/or death.



CAUTION:

Indicates a hazardous situation, which if not avoided, could result in property damage and/or minor to moderate injury.

NOTICE

Indicates information considered important, but not directly hazard related.

CAUTION



TRIPPING HAZARD

Hoses may pose a tripping hazard that can cause injuries resulting from a fall

CAUTION:

SLIP / TRIP HAZARDS

When pressure washing in public areas, signs should be posted that indicate to stay clear of the area as high-pressure washing is being performed. Also, signs should be posted that the surface may be slippery and trip hazards may be present.

Special consideration needs to be made to the safety of not just the operator of the pressure washer, but also people who may be adjacent to the area being cleaned. The best way to warn unsuspecting individuals is with signage and barriers.

Barriers can be as simple as plastic traffic cones or barricades to using barrier belts around the area being cleaned. Remember, pressure washing can dislodge weak or broken pavement turning it into projectiles that may injure others. Keeping people clear of the area is the best way to avoid injury.

Wet pavement can be slippery to unsuspecting individuals causing injury from slips and falls. High-pressure and low-pressure hoses can be trip hazards. Segregating the area and placing appropriate signage can reduce injury.

Sign examples



Barrier examples



**! WARNING:****OPERATOR SAFETY**

Failure to read and follow the operator's manual and all of its instructions before using the product could result in DEATH or SERIOUS INJURY. Read this manual carefully and become familiar with your electric pressure washer. Know its applications, its limitations and any hazards involved.

**! DANGER:****ELECTROCUTION HAZARD**

Improper connection of the equipment grounding conductor can result in the risk of electrocution. Check with a qualified electrician if you are in doubt as to whether the receptacle is properly grounded. DO NOT modify the plug provided with this product. If it will not fit the receptacle, have a proper receptacle installed by a qualified electrician. DO NOT use any type of adapter with this product.

**! CAUTION:****POWER SUPPLY**

This pressure washer shall only be used with a dedicated receptacle/plug rated 120vAC, 60 Hz at 15 -or- 20 amperes. Any other appliances on the circuit should be turned off or unplugged when using the pressure washer. Never use the pressure washer with an adapter that may lead to higher voltage or excessive current. Excessive current may trip circuit breaker. Consult a qualified electrician if unsure of the desired power supply receptacle's ability to safely power this pressure washer.

IT IS NOT RECOMMENDED TO USE AN EXTENSION CORD. If, however, an extension cord is required, it must be an **OUTDOOR RATED 3-PRONG CORD**, that is no longer than 50 feet (15M) and has a minimum of 14 AWG (2.5mm²) conductors. Always uncoil the extension cord when in use. **DO NOT** use an extension cord that has its ground pin damaged or missing.

NOTICE

This appliance is not intended to be used by persons (including children) with reduced physical, sensory, or mental capabilities, or lack of experience and knowledge, unless they have been given supervision or instruction concerning use of the appliance by a person responsible for their safety.

Children should be supervised to ensure that they do not play with the appliance.

Ground Fault Circuit Interrupter Protection

This pressure washer is provided with a ground fault circuit interrupter (GFCI) built into the plug of the power supply cord. This device provides additional protection from the risk of electric shock.

Should replacement of the plug or cord becomes necessary, use only identical replacement parts that include GFCI protection.

Grounding Instructions

This pressure washer must be grounded. If it should malfunction or breakdown, grounding provides a path of least resistance for electric current to reduce the risk of electric shock. This product is equipped with a cord that contains an equipment grounding conductor and a grounding plug. The plug must be connected to an appropriate receptacle that is properly installed and grounded in accordance with all local codes and ordinances.

Motor Overload

The electric motor in this pressure washer is equipped with an thermal overload protection device. This device will automatically shut off the motor if the motor overheats or draws too excessive current. If the overload protection is tripped, turn the power off by turning the master ON/OFF switch to the OFF (0) position. Let the unit cool for thirty (30) minutes. After the unit has cooled, turn the master ON/OFF switch to the ON (I) position to resume operation.

Thermal Relief Valve

When the temperature inside the pump rises to a predetermined setting, this valve will open allowing the hot water to exit and cool water to enter, cooling the pump. The valve will then close.

PERSONAL PROTECTIVE EQUIPMENT (PPE)

It is important to understand what personal protective equipment (PPE) should be utilized when using your pressure washer. Below is a list of PPE items that should be utilized at all times when using the pressure washer.

Hearing - Ear plugs or muffs to protect your hearing.

Vision - Safety glasses or goggles to protect your eyes.

Clothing - Long pants to protect your legs from flying debris.

Shoes - Shoes that fully cover your feet to protect against debris and over spray.

UNPACKING

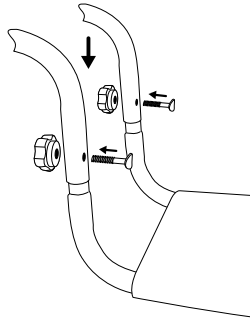
Follow the steps outlined in this section to unpack and assemble your pressure washer. If you have any questions regarding the unpacking or assembly of your pressure washer, please have your model number and serial number ready, then contact customer support at 1-877-362-4271 or email cservice@fna-group.com.

1. Place the shipping carton on a solid, flat surface.
2. Carefully cut the top of the carton open.
3. Carefully cut each corner of the carton from top to bottom.
4. Lay each side of the carton flat on the ground.
5. Remove the contents of the carton.

ASSEMBLY

Install knob-style handle

Slide the handle onto the frame then secure it with the included knobs and bolts.

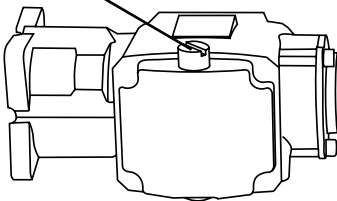


Adding the pump breather cap (if applicable)

A RED shipping plug is in the pump that must be replaced with a BLACK breather cap. The plug is easy to replace with the following steps:

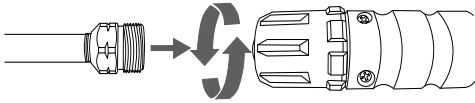
1. Using a bladed screw driver, remove the RED shipping plug from the top of the pump.
2. Hand thread the BLACK breather cap into the pump.
3. Snug the cap with your fingers.

RED shipping plug



BLACK breather cap

Assemble the spray gun

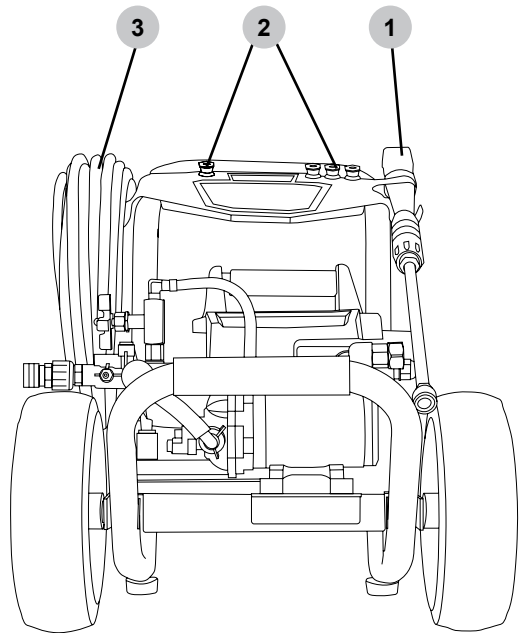


1. Secure the lance to the gun by carefully turning the coupler on the spray gun until the coupler stops rotating. Do not over tighten. Most of the threads on the lance will not be visible if the lance and gun are properly assembled. Be careful not to cross-thread the gun and lance.

WARNING! The threads on the lance and gun coupler can be easily cross threaded resulting in an improper assembly. An improper assembly of the gun and lance can result in personal injury. Do not use if the threads on the gun coupler and or lance are cross threaded.

Organize accessories

1. Place the spray gun and lance assembly into the holder on the dashboard.
2. Push the nozzles into the rubber grommets on the dashboard. Note: the dashboard label indicates correct nozzle placement.
3. Hang the high-pressure hose on the holder.

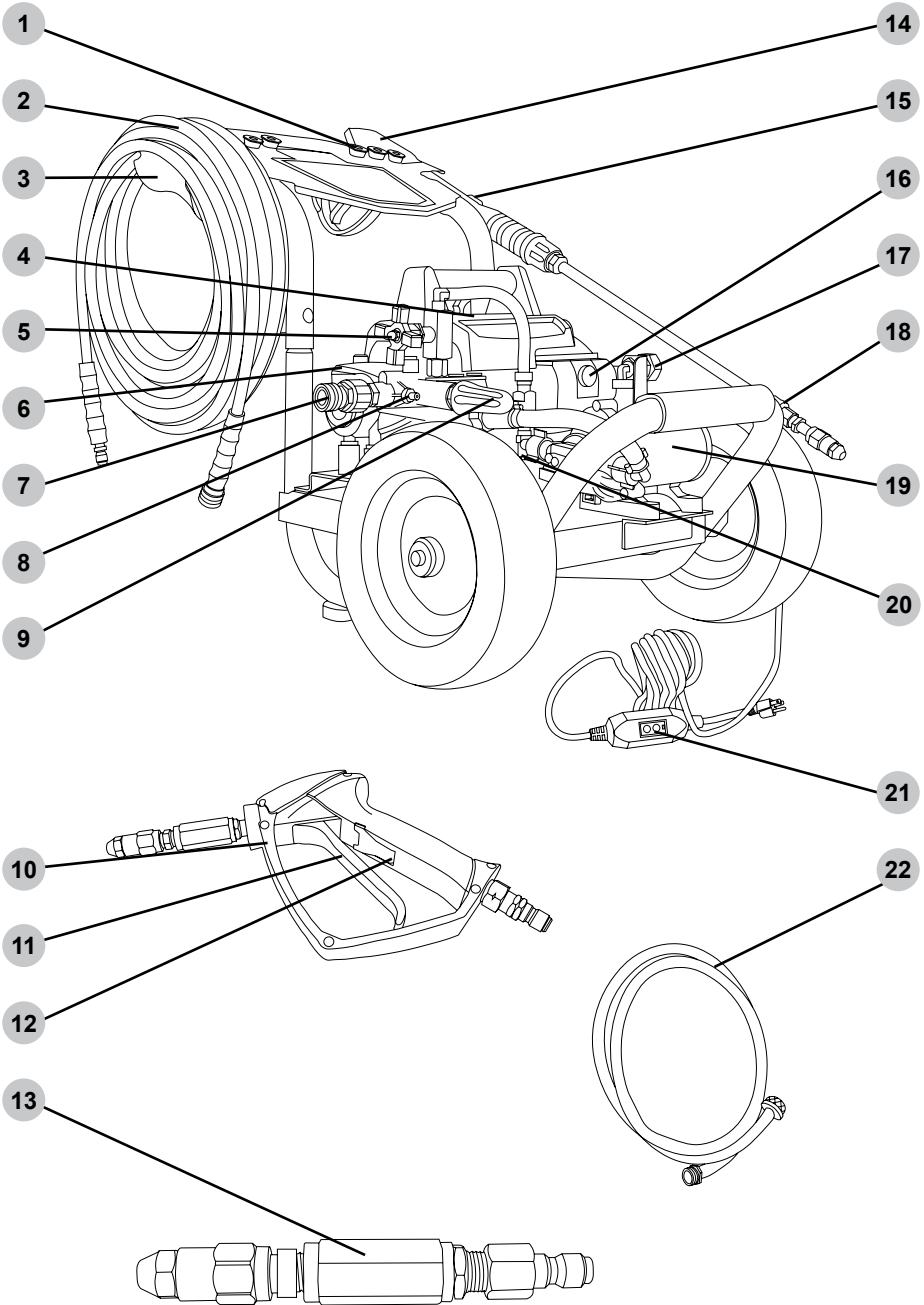


! WARNING:

OPERATING CHECKLIST

Attempting to start the engine incorrectly or using the pressure washer incorrectly can result in engine and/or pressure washer damage, and may cause serious injury or death. To avoid these hazards, be sure to read, understand, and follow the steps outlined in the OPERATING CHECKLIST section of the owner's manual before starting the engine, and follow all the guidelines for proper use of the pressure washer.

COMPONENT LOCATION



1. Nozzle holders
2. High-pressure hose
3. Hose hanger
4. High-pressure pump electric motor
5. Dual action metering valve
6. High-pressure pump
7. High-pressure pump outlet
8. Detergent (soap) hose barb
9. Unloader control knob
10. Dedicated misting gun
11. Misting gun trigger
12. Misting gun trigger lock
13. QC misting nozzle
14. High-pressure spray gun
15. Spray gun holder
16. ON / OFF switch
17. Garden hose coupler & water inlet filter
18. Spray wand quick connector
19. Self-priming supply pump & electric motor
20. Thermal relief valve
21. Power supply cord with integrated GFCI protection
22. Supply hose and filter

OPERATING CHECKLIST

Location

IT IS NOT RECOMMENDED TO USE AN EXTENSION CORD. If, however, an extension cord is required, it must be an **OUTDOOR RATED 3-PRONG CORD**, that is no longer than 50 feet (15M) and has a minimum of 14 AWG (2.5mm²) conductors. Always uncoil the extension cord when in use. **DO NOT** use an extension cord that has its ground pin damaged or missing.

Operating Conditions

Before each use, check for loose or damaged parts, leaks, and/or any other condition that may affect proper operation. Repair or replace all damaged and/or defective parts immediately. Always keep all safety guards in place and in proper working order. For safety reasons, the manufacturer recommends all maintenance and repairs be performed by an authorized service center.

Before using the pressure washer, remove any excessive dirt and debris from the cooling vents of the motor. Always operate the pressure washer on a level surface and never move or tip the pressure washer while operating. Use the pressure washer only for its intended purpose. If you have questions about the proper use of your pressure washer, please contact customer support at 1-877-362-4271 or cservice@fna-group.com.



UNTRAINED OPERATION

Untrained persons, young children, and pets can be seriously injured or killed if allowed to incorrectly operate or play with running pressure washer. To avoid these hazards, be sure anyone operating the pressure washer receives proper instructions, understands safe operation, and has read the owner's manual before operating this product. Do not let children operate the pressure washer without parental supervision. Keep young children and pets away from the pressure washer while it is running. Always turn off the pressure washer before leaving the area.



INSPECT BEFORE OPERATING

Failure to inspect this product before use could create a hazardous situation resulting in product damage, serious injury, and/or death. To avoid these hazards, inspect the pressure washer before each use. Check for loose or damaged parts, signs of oil leaks, missing guards, plugged cooling vents, or any other condition that may affect proper operation. Repair or replace all damaged or defective parts and keep all safety guards in place and in proper working order before using the pressure washer.



WARNING:

INJECTION INJURY

The high pressures created by a pressure washer can cause fluid injection injuries, severe lacerations, amputations, and / or death. To avoid these hazards, always aim the spray gun and lance in a safe direction when using the pressure washer and never attempt to touch a leak in a high-pressure hose or fitting.



WARNING:

MOVING PARTS

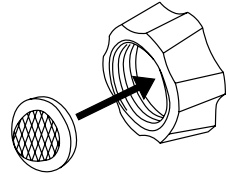
This product has many parts that move at high speeds. Moving parts can cause crushing injuries, broken bones, severe lacerations, and/or traumatic amputations. To prevent injury, never place fingers, hands, feet, or other body parts near running engine. Never operate product with covers, shrouds, or other guards removed. Do not wear loose-fitting clothing, dangling drawstrings, or any other hanging items that could become entangled in moving parts while operating. Tie up long hair and remove jewelry before operating.

MISTING OPERATION

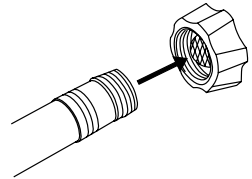
CONNECTING HOSES

These instructions are specifically for performing a misting operation. If you would like to use the high-pressure washing operations, please follow the instructions starting on page 19.

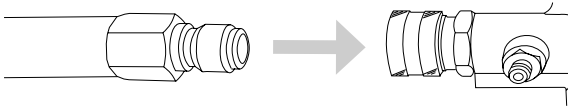
1. Verify the inlet screen is free of any dirt or debris and is in place with the convex side facing out.



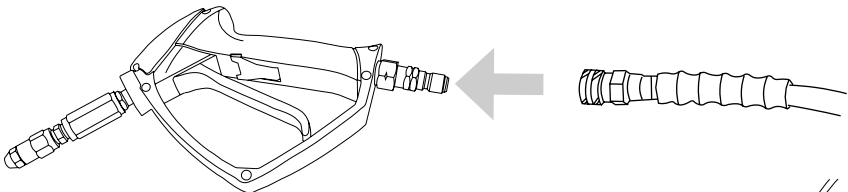
2. Connect the included supply hose to the garden hose coupler.



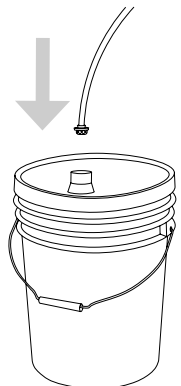
3. While pulling back on the pump outlet collar, insert the high-pressure hose connector then release the collar. Gently tug on the high-pressure hose to make sure it is locked.



4. While pulling back on the high-pressure hose outlet collar, insert the misting gun connector then release the collar. Gently tug on the hose to make sure it is locked.

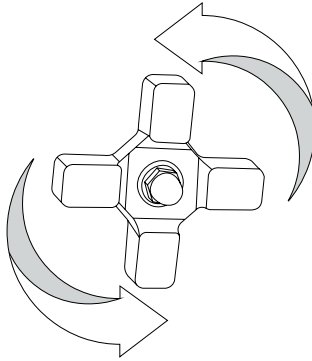


5. Place the filter end of the supply hose into the disinfecting solution. Simpson recommends Vital Oxide. Always refer to the manufacturers Material Data Safety Sheet for your desired disinfectant to make sure it is safe for misting operation. **NEVER USE BLEACH OR OTHER CAUSTIC CHEMICALS.**



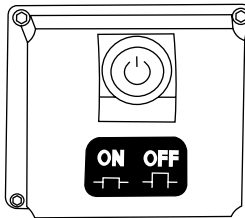
SETTING THE METERING VALVE

The metering valve determines pressure development in the pump. A lower pressure is required for misting operation. When the misting operation is desired, rotate the valve knob fully counterclockwise until the knob stops. Once you start the misting operation, you will adjust the knob for the desired mist density.



STARTING THE MISTER

1. Make sure the master ON/OFF switch is in the OFF (0) position.



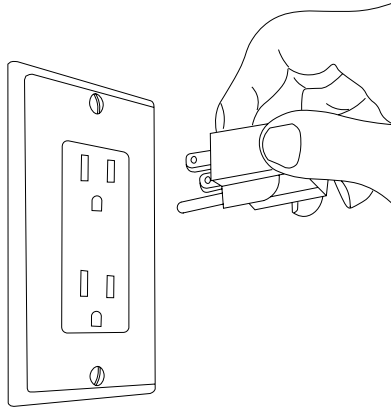
! CAUTION:

POWER SUPPLY

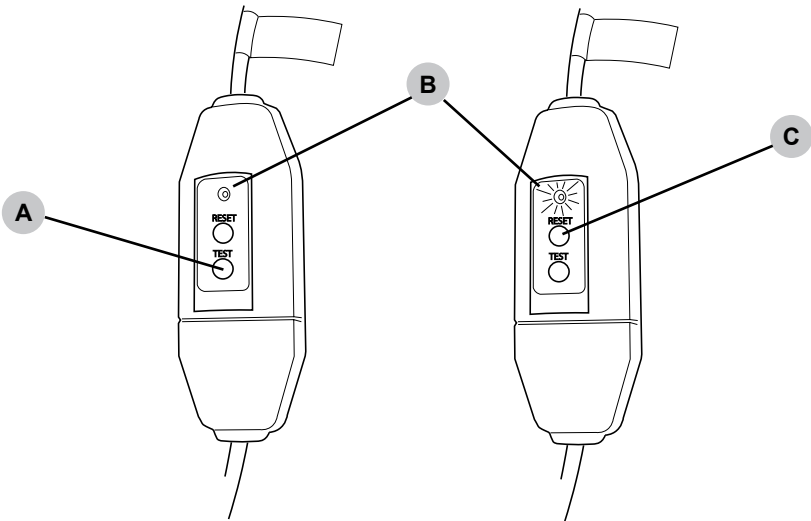
This pressure washer shall only be used with a dedicated receptacle/plug rated 120vAC, 60 Hz at 15 -or- 20 amperes. Any other appliances on the circuit should be turned off or unplugged when using the pressure washer. Never use the pressure washer with an adapter that may lead to higher voltage or excessive current. Excessive current may trip circuit breaker. Consult a qualified electrician if unsure of the desired power supply receptacle's ability to safely power this pressure washer.

IT IS NOT RECOMMENDED TO USE AN EXTENSION CORD. If, however, an extension cord is required, it must be an **OUTDOOR RATED 3-PRONG CORD**, that is no longer than 50 feet (15M) and has a minimum of 14 AWG (2.5mm²) conductors. Always uncoil the extension cord when in use. **DO NOT** use an extension cord that has its ground pin damaged or missing.

2. Plug the electrical power cord into a grounded receptacle rated for 120 volts AC at 15 or 20 amperes that was properly installed in accordance with all local codes and ordinances. The indicator light on the GFCI should be illuminated (ON).



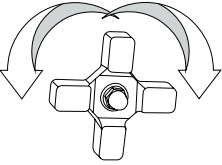
3. Press the TEST button (A). The indicator light (B) should now be dark (OFF).

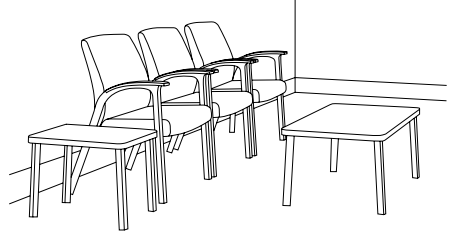
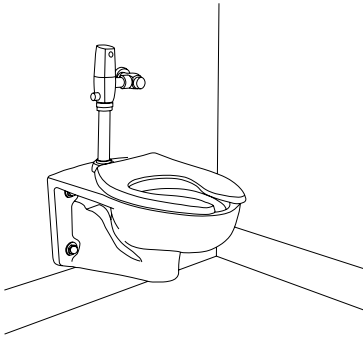


4. Press the RESET button (C). The indicator light (B) will now be illuminated (ON).
NOTICE - DO NOT use the mister if the above test fails.

APPLICATION OF MIST

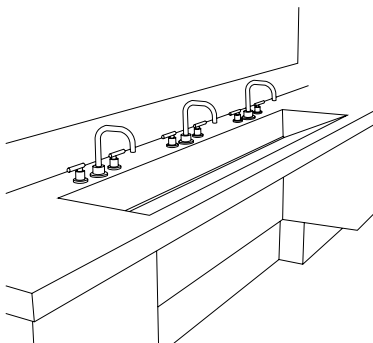
For disinfecting mister use, Simpson recommends Vital Oxide. No matter the manufacturer, always follow all instructions and heed all warnings and cautions. If in doubt of application suitability, contact the disinfectant manufacturer for consult. Closely monitor the bucket of disinfectant. **DO NOT** allow the pumps to run dry as damage may occur.

1. Remove dirt, grime or organic matter by cleaning the **hard, non-porous surface** before beginning the misting operation. Remove food from the surface(s).
2. Press the master ON/OFF button on the mister to the ON (I) position.
3. Point the misting gun at the surface to be disinfected, open the trigger lock and squeeze the trigger. Adjust the metering valve knob to create the desired density of mist. 
4. Move the misting gun at a slow, even pace allowing the disinfectant to coat the surface without leaving areas untreated.
5. For virus inactivations when using the recommend Vital Oxide, allow surface to remain wet for five to ten minutes. Allow surface to remain wet for ten minutes for bacterial disinfection. **NOTE:** Refer to the manufacturers instructions as to how long the surfaces need to remain wet.



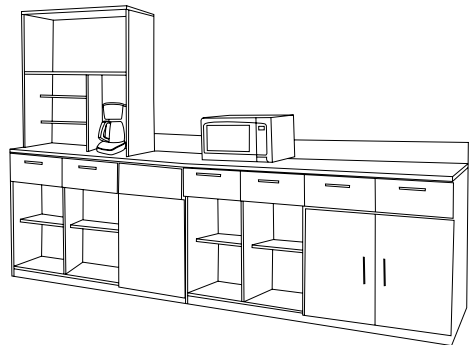
OFFICE FURNITURE

Clean the surfaces of paper, debris and dirt. Do not spray fabrics. Consult the disinfectant manufacturer for other material suitability.



WASHROOMS

Remove paper goods from the surface of the sink. Avoid misting exposed toilet paper roll(s).



LUNCHROOM

Clean the surfaces of paper, debris and dirt. Remove food and eating utensils. Do not return food until disinfectant is completely dry.

SHUTTING OFF AND CLEANING THE MISTER

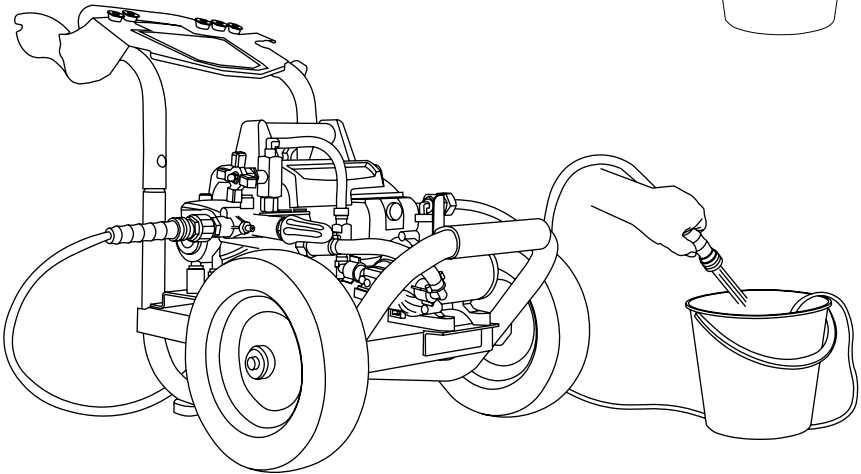
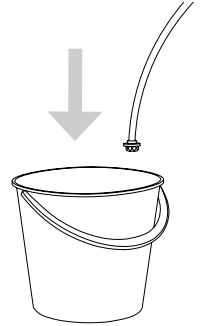


NOTICE

PUMP DAMAGE

Do not remove the supply hose from the disinfectant container nor allow the container to pump dry. Severe pump damage may occur from the absence of disinfectant solution.

1. Press the master ON/OFF button on the mister to the OFF (O) position.
2. Point the misting gun to the side and squeeze the trigger to release stored pressure.
3. Remove the supply hose from the disinfecting solution and place it into a bucket or pail that is 3/4 filled with fresh, clean water.
4. Remove the misting gun from the high-pressure hose by pulled back on the hose collar.
5. While holding the open end of the high-pressure hose over the pail of fresh waster, turn the mister ON. Allow the fresh water to recirculate into the pail for one to two minutes.



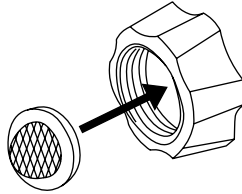
6. Press the master ON/OFF button on the mister to the OFF (O) position.
7. Reconnect the mister gun to the high-pressure hose; start the mister.
8. While aiming the mister gun at the pail, squeeze the trigger allowing fresh water to flush the mister gun free of disinfectant for 30 seconds.
9. Press the master ON/OFF button on the mister to the OFF (O) position.
10. Unthread the supply hose from the mister. Drain it into the pail; coil for storage.
11. Point the misting gun to the side and squeeze the trigger to release stored pressure.
12. Disconnect the high-pressure hose from the mister gun and the mister pump.
13. Drain the high-pressure hose into a utility tub sink; coil and place on the hose hanger near the mister handle.
14. Discard the contents appropriately

HIGH-PRESSURE WASHER OPERATION

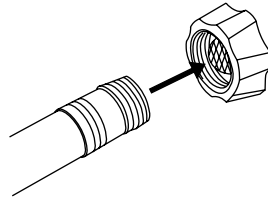
CONNECTING HOSES

Before connecting a water supply hose, be sure the water supply is capable of providing an uninterrupted source of clean, cold water at a minimum rate of 5 gallons per minute (GPM) and 20 pounds per square inch (PSI) of pressure. Once a proper water supply is secured, follow the instructions below to connect both the water supply and high-pressure hoses to the pressure washer.

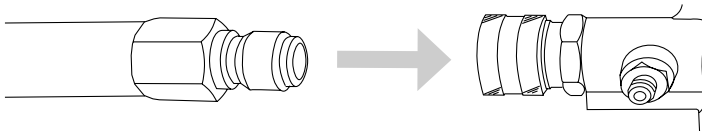
1. Verify the inlet screen is free of any dirt or debris and is in place with the convex side facing out.



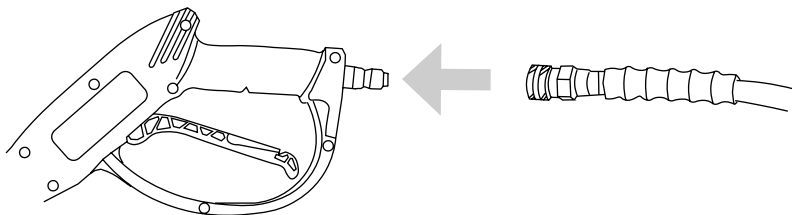
2. Turn on the water supply and run for 30 seconds to purge any debris from the supply hose. Then, turn off the water supply and thread the water supply hose into the pump inlet.



3. While pulling back on the pump outlet collar, insert the high-pressure hose connector then release the collar. Gently tug on the high-pressure hose to make sure it is locked.

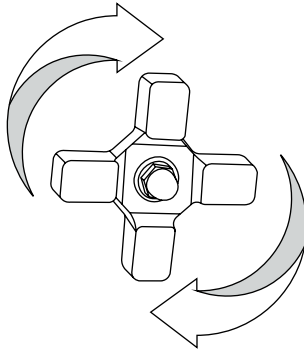


4. While pulling back on the high-pressure hose outlet collar, insert the spray gun connector then release the collar. Gently tug on the hose to make sure it is locked.



SETTING THE METERING VALVE

The metering valve determines pressure development in the pump. For the high-pressure washer operation, rotate the valve knob fully clockwise until the knob stops.



PURGING AIR FROM THE PUMP



NOTICE

PUMP PURGING

Running a pressure washer pump without water will severely damage the pump seals and other internal components. To avoid this hazard, make sure your water supply is uninterrupted and at least 5 GPM at 20 PSI, and always purge the air your pressure washer pump before starting the engine.



! WARNING:

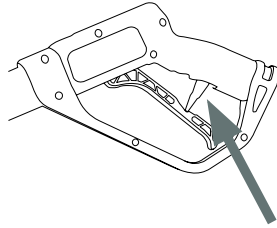
INJECTION INJURY

The high pressures created by a pressure washer can cause fluid injection injuries, severe lacerations, amputations, and / or death. To avoid these hazards, always aim the spray gun and lance in a safe direction when using the pressure washer and never attempt to touch a leak in a high-pressure hose or fitting.

A pressure washer pump is designed to operate with water flowing through it. Water lubricates and cools the internal components of the pump. Running a pressure washer pump without water will severely damage the pump seals and other internal components. Damage caused by running a pressure washer pump without water is not covered under warranty. Be sure to follow the instructions below to correctly purge the air from your pressure washer pump before starting the engine.






1. Connect all the hoses by following the steps outlined in the CONNECTING HOSES section of this manual then turn on the cold water source.

2. Aim the spray gun in a safe direction then squeeze and hold the trigger for at least 30 seconds or until the water runs steady and all the air is purged from the pump and hoses.
3. Check hoses and connections for leaks. If leaks are found, turn off the machine, aim the spray gun in a safe direction and squeeze the trigger to relieve any built up pressure in the system. Never attempt to touch a leak in a high-pressure hose or fitting. Never attempt to repair a high-pressure hose.
4. Engage the trigger lock.



Nozzle Selection

The nozzles supplied with the pressure washer have specific spray patterns designed to clean different surfaces. Using the incorrect nozzle can damage surfaces. Refer to the table below to select the correct nozzle before using the pressure washer. **NOTE:** The selection of nozzles included may vary with pressure washer models.

Color	5-N-1 (if equipped)	Spray Pattern	Uses	Surfaces
Mister		Mist	Applies cleaning solutions via mist	Misting spray is safe on all surfaces. Always verify compatibility of cleaning solution prior to use.
Yellow		15°	Intense cleaning of unpainted surfaces	Grills, driveways, concrete and brick walkways, unpainted brick and stucco
Green		25°	Standard cleaning nozzle for most applications	Yard tools, sidewalks, lawn furniture, unpainted siding, stucco, gutters, eaves, concrete, and brick surfaces
White		40°	Cleaning painted or delicate surfaces	Auto, truck, RV, marine, wood, painted brick, painted stucco, vinyl, and painted siding
Black		Soap	Applies cleaning solutions	Safe on all surfaces. Always verify compatibility of cleaning solution(s) prior to use.



NOTICE

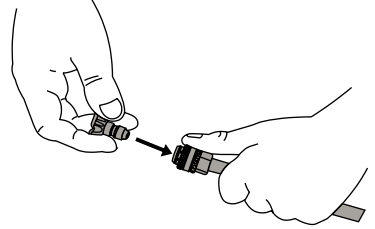
SPRAY DAMAGE

High-pressure spray can damage plants and other surfaces. To avoid causing damage, cover plants before spraying near them, refer to the Nozzle Selection table in this manual for correct nozzle selection, and test surfaces before spraying to make sure they are strong enough to withstand high-pressure spray.

Nozzle Installation

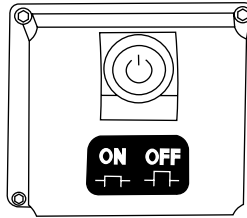
If the motor is running, make sure the trigger lock is in the locked position before removing and installing nozzles.

To place a nozzle into the spray wand, pull the quick-connect coupler back, insert the nozzle, then release the coupler allowing it to snap back in place. Once installed, pull on the nozzle to make sure it is secure.



STARTING THE PRESSURE WASHER

1. Connect the hoses as instructed on Page 19.
2. Turn on the water and purge the system of air as instructed on Page 20.
3. Insert the desired nozzle as instructed on Page 22.
4. Make sure the master ON/OFF switch is in the OFF (0) position.



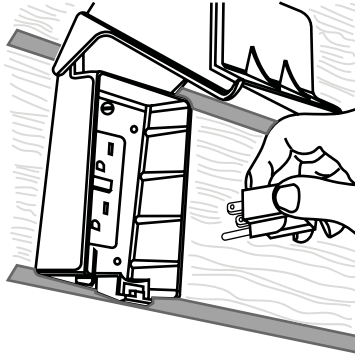
CAUTION:

POWER SUPPLY

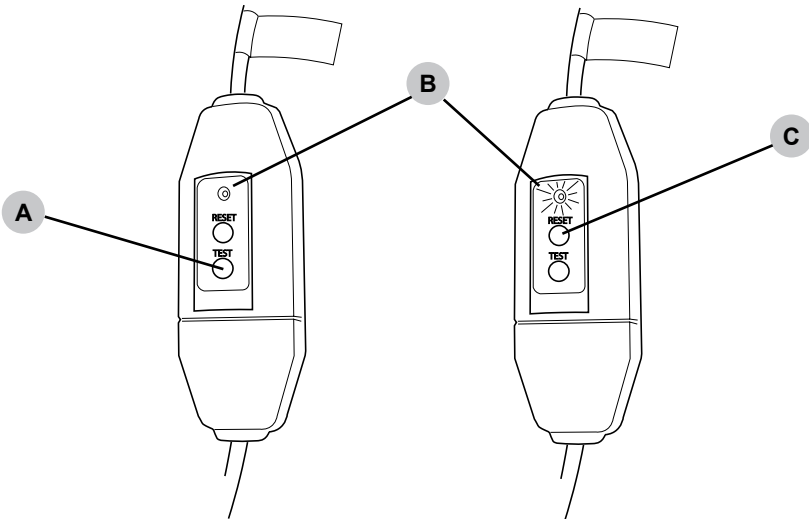
This pressure washer shall only be used with a dedicated receptacle/plug rated 120vAC, 60 Hz at 15 -or- 20 amperes. Any other appliances on the circuit should be turned off or unplugged when using the pressure washer. Never use the pressure washer with an adapter that may lead to higher voltage or excessive current. Excessive current may trip circuit breaker. Consult a qualified electrician if unsure of the desired power supply receptacle's ability to safely power this pressure washer.

IT IS NOT RECOMMENDED TO USE AN EXTENSION CORD. If, however, an extension cord is required, it must be an **OUTDOOR RATED 3-PRONG CORD**, that is no longer than 50 feet (15M) and has a minimum of 14 AWG (2.5mm²) conductors. Always uncoil the extension cord when in use. **DO NOT** use an extension cord that has its ground pin damaged or missing.

5. Plug the electrical power cord into a grounded receptacle rated for 120 volts AC at 15 or 20 amperes that was properly installed in accordance with all local codes and ordinances. The indicator light on the GFCI should be illuminated (ON).



6. Press the TEST button (A). The indicator light (B) should now be dark (OFF).



7. Press the RESET button (C). The indicator light (B) will now be illuminated (ON).
NOTICE - DO NOT use the pressure washer if the above test fails.
8. Press the master ON/OFF button on the pressure washer to the ON (I) position.
9. Point the gun in a safe direction, open the trigger lock and squeeze the trigger. The electric pressure washer motor will start as the spray gun trigger is depressed and will continue to run even when released.

SHUTTING OFF THE PRESSURE WASHER



NOTICE

PUMP DAMAGE

Turning off the water supply to your pump with the motor running will damage the pump. Damage caused by running the pump without water is not covered under warranty. To avoid this hazard always turn off the motor before shutting off the water supply.

1. Set the trigger lock on the spray gun.
2. Press the master ON/OFF button on the pressure washer to the OFF (0) position.
3. Turn off the water supply.
4. Release the trigger lock then squeeze the spray gun trigger to relieve the pressure in the hose and pump.
5. Allow the pressure washer to cool completely before handling and storage.

USING CHEMICALS (High-pressure use only)

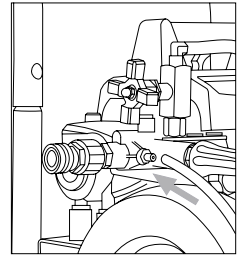


NOTICE

VOLATILE LIQUIDS

Pressure washing with volatile, flammable, or corrosive liquids could cause pressure washer damage, fire, or explosion resulting in severe injury and/or death. To avoid these hazards, use only approved soaps and chemicals, do not attempt to pressure wash with volatile, flammable, or corrosive liquids, and NEVER use bleach.

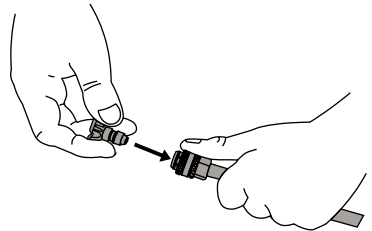
1. Attach the open end of the soap hose to the barbed fitting on the pump.



2. Place the filtered end of the soap hose into a container of soap.



3. If the engine is running, make sure the trigger lock is in the locked position before removing and installing nozzles.
4. Insert the black nozzle into the spray wand per the Nozzle Installation section of this manual. **NOTE:** Soaps will not siphon if the black soap nozzle is not installed on the spray wand.



5. After using soap, place the filtered end of the soap hose into a container of clean water and run pressure washer drawing clean water through the hose and pump until the system is thoroughly rinsed. If soap or other chemicals remain in the pump, the pump could be damaged. Pump damage from soap or chemical residue is not covered under warranty.

OPERATION TIPS

Terms

- PSI - Pounds per square inch (PSI) is the unit to measure the pressure of water. In relation to a pressure washer, the higher the PSI number, the greater the pressure and stripping power produced.
- GPM - Gallons per minute (GPM) is the flow rate of water. In relation to a pressure washer, the greater the GPM, the greater the flow or rinsing power produced.
- CU - Cleaning units express the efficiency of the pressure washer. Cleaning units are calculated by multiply the PSI by the GPM. The higher the CU, the more efficient the pressure washer.

Preparation

- Read all warning and instructions in this and all manuals that came with the pressure washer.
- Remove all toys, bikes, lawn furniture, etc. from the work area if they are not to be cleaned.
- Sweep any loose dirt and debris from the surface you will be pressure washing.
- Cover nearby plants to avoid damaging them with the pressure washer spray.
- Use caution when spraying windows. Always use the white, 40° nozzle and stay at least 4 feet away.
- Lay tarps down to collect paint chips and other debris blown off by the spray. Exterior paints used before 1977 may contain lead and will produce chips that will need to be collected and disposed of at a hazardous waste facility.

Pressure Washing

- A wider spray equals faster cleaning, while a tighter spray equals deeper cleaning.
- Keep the nozzle about 4 feet away from siding to avoid damage.
- Start washing siding at the bottom and work your way up, then rinse from the top down.
- Avoid driving water up behind siding.
- Use overlapping strokes for even cleaning.
- Work in small areas to keep the soap from drying.
- Do not aim the nozzle straight at the surface. Hold the wand at a 45° angle to the surface at a distance that cleans well without causing damage.

Adjusting Pressure

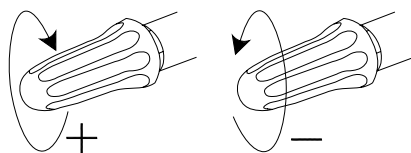
The pressure setting is preset at the factory to achieve optimum pressure and cleaning. If you should need to lower the pressure, it can be accomplished by the following methods.

- Back away from the surface to be cleaned. The further you position the nozzle from the surface to be cleaned, the lower the pressure to reach the surface.
- Change to the white, 40° nozzle. This nozzle produces a lower pressure, wider width spray.

Your unit may be equipped with an additional feature that allows you to adjust the pressure.

To lower the pressure, turn the knob counter-clockwise to the desired pressure.

To return the pressure to the factory setting, turn the knob clockwise until it stops.



NOTE: Do not overtighten the pressure control knob. If overtightened, the knob COULD break causing immediate loss of pressure and costly repairs not covered by the warranty.

TROUBLE SHOOTING

Issue	Possible Cause	Solution
Pressure washer will not start or circuit breaker trips.	The power supply cord is not connected.	Plug the cord into a 120 volt, 15 ampere receptacle.
	The house circuit breaker is tripped.	Reset the circuit breaker.
	The GFCI equipped receptacle (if applicable) is tripped.	Reset the GFCI by pushing the RESET button.
	The GFCI in the power supply cord is tripped.	Reset the GFCI by pushing the RESET button.
	The master ON/OFF switch is in the OFF position.	Move the switch to the ON position.
	The thermal switch within the electric motor has tripped due to overheating.	Turn the master ON/OFF switch to the OFF position. Allow the unit to cool for 30 minutes before trying the pressure washer once again.
	The pressure washer is connected to a receptacle/plug that is shared by other devices within the circuit.	Remove all other devices from the circuit.
	The pressure washer is connected to a circuit using an extension cord.	Remove the extension cord. Plug the power cord from the pressure washer directly into a 120 volt, 15 ampere receptacle. See POWER SUPPLY, page 5.
The pressure washer creates low or no water spray pressure.	There is air in the hoses and/or pump.	Refer to the PRIMING THE PUMP section of this manual to remove air from pump and hoses.
	The water supply is insufficient.	Make sure the water supply pressure is at least 5 gpm @ 20 PSI.
	The nozzle is clogged.	Clean nozzle per the MAINTENANCE section of this manual.
	The water inlet screen is clogged.	Clean the water inlet screen per the MAINTENANCE section of this manual.

Issue	Possible Cause	Solution
Detergent fails to mix with the spray.	Transparent tube is clogged or cracked.	Clean or replace the transparent tube.
	Transparent tube is not attached to the pump.	Attach the transparent tube to the detergent connector on the pump.
	Incorrect nozzle used.	Install the black soap nozzle on the wand.
	Detergent too thick.	Add water to the detergent to make it the consistency of water.

MAINTENANCE

For safety reasons, the manufacturer recommends all pressure washer service and repairs be performed by an authorized service center. All warranty replacements or repairs must be performed by an authorized distribution or service center. To find an authorized service center near you, make a warranty claim, or get authorized warranty repair, call 1-877-362-4271 or email cservice@fna-group.com.

It is the responsibility of the owner and/or operator to have all scheduled maintenance completed before operating the pressure washer. Be sure to follow the inspection and maintenance recommendations as listed in all the manuals that came with this unit.

Maintenance

Before each use, check pressure washer for leaks, loose or damaged parts, and any other condition that may affect proper operation. Be sure all safety guards are in place and in proper working order. Inspect all air vents and cooling slots to ensure they are clean and unobstructed. Repair or replace all damaged or defective parts immediately. For safety reasons, the manufacturer recommends all pressure washer service and repairs be performed by an authorized service center. Never attempt to repair a high-pressure hose.

Cleaning the Pressure Washer

Always clean the pressure washer with the engine off and cool. To clean the pressure washer, first use an air compressor set at no more than 25 PSI to clear dirt and debris from the pressure washer surfaces, vents, and cooling slots. Then, wipe the exterior clean with a damp cloth.



NOTICE

CLEANING

Water can damage the pressure washer engine components if allowed to enter through cooling slots or other holes. Damage caused by water intrusion is not covered under warranty. To avoid engine water damage, do not use a pressure washer, garden hose, or any other sources of running water to clean the pressure washer engine, and never submerge the pressure washer engine in any liquids.



NOTICE

CHEMICAL CLEANERS

Using chemical cleaners and/or corrosive liquids can damage the pressure washer seals and internal components. Damage caused by chemical cleaners and corrosive liquids is not covered under warranty. To avoid these hazard, only use approved cleaning chemicals, never use bleach, and always run clean water through the pressure washer after using cleaning chemicals.

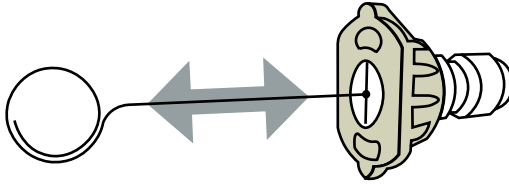
Connections

Hose, spray gun, and pump connections should be cleaned and lubricated with a thin film of lithium grease regularly to prevent o-ring damage and leaks.

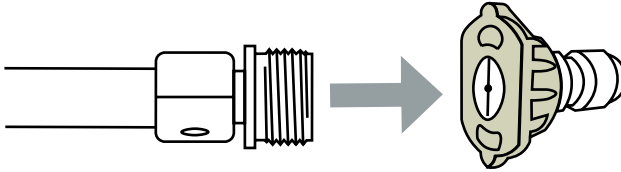
Nozzle Cleaning

If a nozzle becomes clogged, the pump may pulsate and spray patterns could change. If the nozzle is not cleaned, excessive pressure may develop possibly damaging the pump, or other accessories. Inspect nozzles before using them and follow the instructions in this section for the proper nozzle cleaning procedure.

1. Shut off the pressure washer.
2. Turn off the water supply.
3. Point the spray gun in a safe direction and squeeze the trigger to relieve water pressure.
4. Set the trigger lock.
5. Remove the nozzle from the lance quick connector.
6. Clear any obstructions from the nozzle by inserting the nozzle cleaning tool provided.



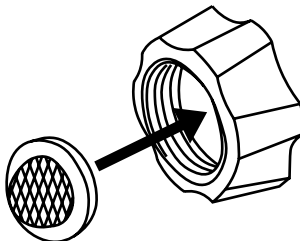
7. Rinse any loose debris from the nozzle by directing a running garden hose into the output of the nozzle for at least 30 seconds.



Water Inlet Filter

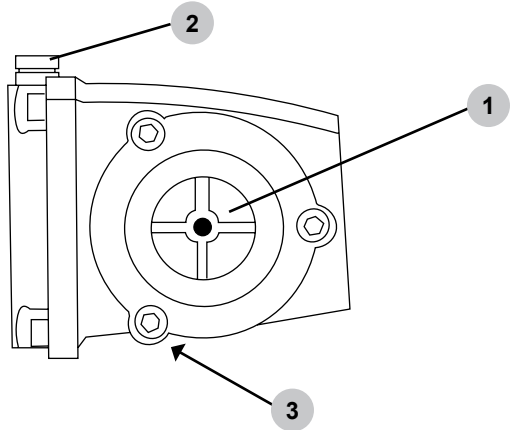
Before each use, check the inlet filter and clean by following the steps below. Never operate the pressure washer without the inlet filter properly installed.

1. Remove the filter from the garden hose coupler.
2. Use water from a running garden hose to clean both sides of the filter.
3. Insert the cleaned filter into the pump inlet with the convex side facing out.



Pump Maintenance

Note: The pump was filled with oil at the factory. The preferred oil is SIMPSON® Premium Pump Crankcase Oil. If this oil is not available, an SAE 15W-40 oil may be used. Change the oil after the first 50 hours of operation and every 100 hours thereafter or every 3 months.



1. Oil sight glass
2. Oil fill plug / vent cap
3. Oil drain plug (not shown)

How to change the pump oil

1. Loosen the pump oil fill plug / vent cap.
2. Place a container under the oil drain plug.
3. Remove the oil drain plug.
4. After the oil has drained, insert the oil drain plug; tighten securely.
5. For AAA® pumps, refill with SIMPSON® Premium Pump Crankcase Oil. If this oil is not available, an SAE 15W-40 oil may be used.
For CAT Pumps®***, refill using a non-detergent hydraulic oil (ISO68).
6. Make sure the oil level meets but does not exceed the dot in the center of the sightglass.
7. Insert the oil fill plug; tighten securely.

*** CAT Pumps® is a registered trademark of Diversified Dynamics Corporation.

STORING THE PRESSURE WASHER

1. Disconnect the high-pressure hose from the pump and the gun.
2. Hold the gun in a vertical plane and squeeze the trigger to remove trapped water.
3. Remove trapped water from the high-pressure hose; coil for storage.
4. Protect the pump by using SIMPSON® Pump Guard per the USING PUMP GUARD section of this manual.
5. Store the pressure washer and its accessories in a cool, dry location out of direct sunlight.

USING SIMPSON® PUMP GUARD



NOTICE PUMP DAMAGE

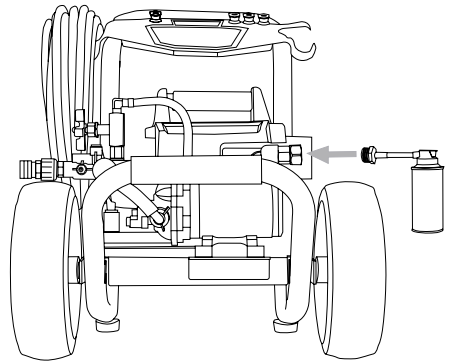
Leaving water inside the pump during freezing weather will cause severe damage to the pump. To avoid costly damage, always treat the pump with SIMPSON® Pump Guard to remove the trapped water and to fill the pump with a lubricating, antifreeze solution.

SIMPSON® Pump Guard (purchase separately) is formulated to protect your pump during long-term storage and from freezing damage. Pump Guard should be used throughout the season to keep the seals pliable and well lubricated. Before storing the unit for winter or for when there is a chance of freezing weather, use pump guard to remove all traces of water from the internal cavities while filling them with an antifreeze solution. Pump Guard is insurance for your investment, use it.

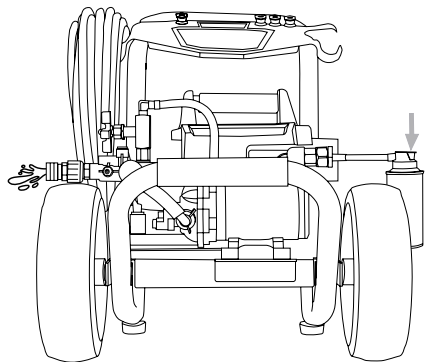
Simply use Pump Guard by following these easy steps:

1. Turn the metering valve fully counterclockwise.

2. Screw the Pump Guard adapter into the garden hose input on the mister frame.



3. Press and hold down on the button until all the water and the Pump Guard starts to come out of the high pressure port.



4. Unscrew the Pump Guard then prepare the pressure washer for storage as outlined in **STORING THE PRESSURE WASHER**.

COMMERCIAL LIMITED WARRANTY

WARRANTY COVERAGE TERMS:

The manufacturer of this product agrees to repair or replace designated parts that prove defective within the warranty period listed below at the manufacturer's sole discretion. Specific limitations / extensions and exclusions apply.

This warranty covers defects in material and workmanship and not parts failure due to normal wear, depreciation, abuse, accidental damage, negligence, improper use, maintenance, water quality or storage. To make a claim under the terms of the warranty, all parts said to be defective must be retained and available for return upon request to a designated Warranty Service Center for warranty inspection. The judgments and decisions of the manufacturer concerning the validity of warranty claims are final.

These warranties pass through to the end user and are non-transferable. As a factory authorized and trained Warranty Service Center, the factory will honor the terms of all component warranties and satisfy claims of the appropriate warranty provisions.

This warranty replaces all other warranties, express or implied, including without limitation and warranties of merchantability or fitness for a particular purpose and all such warranties are hereby disclaimed and excluded by the manufacturer. The manufacturer's warranty obligation is limited to repair and replacement of defective products and provided herein and the manufacturer shall not be liable for any further loss, damages, or expenses - including damages from shipping, accident, abuse, acts of God, misuse, or neglect. Neither is damage from repairs using parts not purchases from the manufacturer or alterations performed by non-factory authorized personnel. Failure to install and operate equipment according to the guidelines put forth in the instruction manual shall void warranty.

THIS WARRANTY DOES NOT COVER:

Damage resulting from shipping (claims must be filed with freighter), accident, abuse, act of God, misuse, or neglect.

This warranty also does not cover damage from repairs or alterations performed by non-factory authorized personnel or failure to install and operate equipment according to the guidelines put forth in the instruction manual. The manufacturer will not be liable to any persons for consequential damage, for personal injury, or for commercial loss.

RESPONSIBILITY OF ORIGINAL PURCHASER (INITIAL USER):

To process a warranty claim on your SIMPSON® pressure washer, report the concern to 1-877-362-4271 or cservice@FNA-GROUP.COM for authorization and direction to the nearest authorized service center in your area.

Retain original cash register sales receipt as proof of purchase for warranty work. Use reasonable care in the operation and maintenance of the product as described in the Operator's Manual(s).

WHAT THE WARRANTY DOES NOT COVER:

- Freight damage
- Damage due to chemical deterioration, salt water, rust or corrosion
- Damage caused by parts or accessories not obtained from an authorized dealer or not approved by the manufacturer
- Normal wear of moving parts or components affected by moving parts
- Consumable parts such as: Fuel filter, air filter, spark plug(s), recoil starter rope, oil and lubricant(s)
- Normal periodic maintenance work such as carburetor cleaning and engine oil draining
- Freeze damage

ELECTRIC MOTOR (DEFECTS IN MATERIAL AND WORKMANSHIP):

ONE (1) year from the date of purchase.

HIGH-PRESSURE PUMP (DEFECTS IN MATERIAL AND WORKMANSHIP):

FIVE (5) years from the date of purchase.

FRAME (DEFECTS IN MATERIAL AND WORKMANSHIP):

FIVE (5) years from the date of purchase.

SELF-PRIMING PUMP (DEFECTS IN MATERIAL AND WORKMANSHIP):

FOUR (4) years from the date of purchase - consult pump manufacturer's literature for more warranty information.

ACCESSORIES (DEFECTS IN MATERIAL AND WORKMANSHIP):

Including nozzles, hoses, spray guns, wands, tires, feet
Ninety (90) days from the date of purchase.

NOTES

THIS PAGE WAS INTENTIONALLY LEFT BLANK

THIS PAGE WAS INTENTIONALLY LEFT BLANK

THIS PAGE WAS INTENTIONALLY LEFT BLANK



READ THIS MANUAL CAREFULLY BEFORE OPERATION

Failure to follow the instructions and safety precautions in this manual can result in property damage, serious injury and/or death.

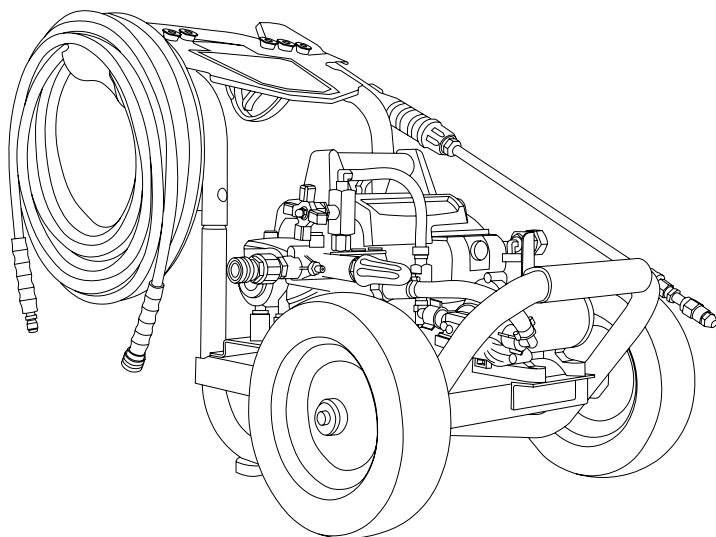
SAVE THIS MANUAL FOR FUTURE REFERENCE



LAVEUR SOUS PRESSION

GUIDE D'UTILISATION ET D'ENTRETIEN

Pour 61102



LIRE ATTENTIVEMENT CE GUIDE AVANT L'UTILISATION

Le fait de ne pas suivre les instructions et les précautions de sécurité de ce guide peut entraîner des dommages matériels, des blessures graves et/ou la mort.

Si le laveur sous pression ne fonctionne pas ou si des pièces sont manquantes ou endommagées, veuillez **NE PAS LE RETOURNER AU LIEU D'ACHAT**. Contactez notre service à la clientèle par téléphone au **1 877 362-4271** ou par courriel à **cservice@fna-group.com**

CONSERVEZ CE GUIDE POUR RÉFÉRENCE ULTÉRIEURE

REMARQUE : Les photographies et les schémas utilisés dans ce guide sont donnés à titre indicatif uniquement et peuvent ne pas représenter votre modèle spécifique.

REMARQUES

CETTE PAGE A ÉTÉ INTENTIONNELLEMENT LAISSÉE BLANCHE

CONSERVER CE GUIDE POUR UNE UTILISATION ULTÉRIEURE

Conservez ce guide pour toute référence ultérieure. Ce guide doit être considéré comme faisant partie intégrante du produit et doit être conservé avec celui-ci. Ce guide doit être mis à la disposition de toute personne utilisant le(s) produit(s) qu'il couvre. Ce guide doit être conservé avec le(s) produit(s) concerné(s) en cas de vente à un nouveau propriétaire. Si le guide est endommagé, perdu ou inutilisable, vous pouvez télécharger une nouvelle copie à partir des pages du produit à l'adresse www.simpsoncleaning.com ou contacter le service clientèle en appelant le 1 877 362-4271.

Notez le numéro de modèle, le numéro de série et la date d'achat de ce produit dans les espaces prévus ci-dessous, puis conservez ce guide avec le(s) reçu(s) d'achat pour toute référence ultérieure.

Numéro de
modèle :

Numéro de
série :

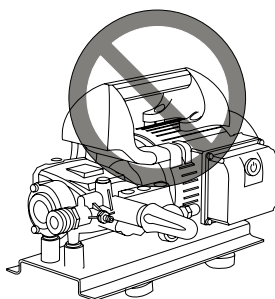
Date d'achat :



ATTENTION:

SÉCURITÉ DE L'OPÉRATEUR

Soulever le nettoyeur haute pression par la poignée du moteur peut entraîner des dommages à la machine et des blessures potentielles. Pour éviter d'endommager le nettoyeur haute pression, assurez-vous de soulever le nettoyeur haute pression en saisissant uniquement le cadre métallique.



CLAUSES DE NON-RESPONSABILITÉ

- Tous les renseignements dans cette publication sont basés sur les derniers renseignements disponibles sur le produit au moment de l'impression. Le groupe FNA se réserve le droit de mettre à jour, de modifier et/ou d'améliorer le produit et ce document à tout moment, sans préavis et sans encourir aucune obligation.
- Ce guide peut concerner plusieurs machines. Les images et les figures du guide ne doivent être utilisées qu'à titre de référence. Il peut y avoir des différences entre votre produit et les images, les schémas et les diagrammes de ce guide.

TABLE DES MATIÈRES

CLAUSES DE NON-RESPONSABILITÉ	1
INSTRUCTIONS DE SÉCURITÉ	4
LIRE CE GUIDE AVANT L'UTILISATION	4
INSTRUCTIONS SUPPLÉMENTAIRES	4
SYMBOLES D'ALERTE DE DANGER	4
ÉQUIPEMENT DE PROTECTION INDIVIDUELLE (EPI)	7
DÉBALLAGE	8
ASSEMBLAGE	8
Installer la poignée à boulons	8
Ajout du bouchon de reniflard de la pompe	8
Assembler le pistolet de pulvérisation	9
Organiser les accessoires	9
EMPLACEMENT DES COMPOSANTS	10
LISTE DE CONTRÔLE DE FONCTIONNEMENT	12
Emplacement	12
Conditions de fonctionnement	12
FONCTIONNEMENT BRUMISAGE	14
Raccordement des Tuyaux	14
Réglage de la Vanne de Dosage	15
Démarrage du Mister Motor	15
Application de Brume	16
Arrêt et Nettoyage du Brumiseur	18
FONCTIONNEMENT DU NETTOYEUR HAUTE PRESSION	20
Raccordement des Tuyaux	20
Réglage de la Vanne de Dosage	21
Purge de L'air de la Pompe	21
Sélection de la Buse	22
Installation de la Buse	23
Mise en Marché du Nettoyeur Haute Pression	23
Arrêt du Nettoyeur Haute Pression	25

UTILISATION DE PRODUITS CHIMIQUES	26
CONSEILS D'UTILISATION	27
Termes	27
Préparation	27
Lavage sous pression	27
Réglage de la pression	28
DÉPANNAGE	29
ENTRETIEN	31
Entretien	31
Nettoyage du laveur sous pression	31
Raccords	32
Nettoyage des buses	32
Filtre d'entrée d'eau	33
Entretien de la pompe	33
RANGEMENT DU NETTOYEUR HAUTE PRESSION	34
UTILISATION DE LA PROTECTION DE POMPE SIMPSON®	35
GARANTIE	36

INSTRUCTIONS DE SÉCURITÉ



LIRE CE GUIDE AVANT L'UTILISATION

Ce guide contient des informations et des instructions de sécurité importantes. **N'utilisez pas** ce produit avant d'avoir lu et compris toutes les instructions de sécurité, d'utilisation et d'entretien figurant dans ce guide. Le fait de ne pas suivre les instructions et les précautions de sécurité de ce guide peut entraîner des dommages matériels, des blessures graves et/ou la mort.

REMARQUE : Les avertissements et les précautions abordés dans ce guide ne peuvent pas couvrir toutes les conditions et situations pouvant se produire. L'utilisateur doit comprendre que la sensibilisation et la prudence sont des facteurs qui ne peuvent pas être intégrés à ce produit et qu'ils doivent donc être exercés par l'utilisateur.



INSTRUCTIONS SUPPLÉMENTAIRES

En plus de ce guide, lisez attentivement toutes les instructions supplémentaires fournies sur et avec le produit, l'équipement annexe, les accessoires et le moteur qui alimente le produit. Portez une attention particulière à toutes les règles de sécurité supplémentaires et aux instructions concernant les procédures de démarrage, d'utilisation et d'arrêt. Utilisez toujours les vêtements de protection recommandés qui peuvent être nécessaires pour utiliser l'équipement en toute sécurité.



SYMBOLES D'ALERTE DE DANGER

Veillez à bien comprendre les symboles de sécurité et les définitions énumérés ci-dessous. Chaque symbole contient l'un des quatre mots suivants : **DANGER**, **AVERTISSEMENT**, **ATTENTION**, **AVIS**, indiquant différents niveaux de risque. Ces symboles sont utilisés tout au long de ce guide et sont suivis d'informations sur un danger précis, les conséquences de ce danger et des instructions sur la façon d'éviter ce danger. Si vous ne tenez pas compte de ces symboles et ne suivez pas les instructions qui leur sont fournies, vous risquez de subir des dommages matériels, des blessures et/ou la mort.

 **DANGER:**

Indique une situation dangereuse imminente qui, si elle n'est pas évitée, entraînera des dommages matériels, des blessures graves et/ou la mort.

 **AVERTISSEMENT:**

Indique une situation potentiellement dangereuse qui, si elle n'est pas évitée, peut entraîner des dommages matériels, des blessures graves et/ou la mort.

 **ATTENTION:**

Indique une situation dangereuse qui, si elle n'est pas évitée, peut entraîner des dommages matériels et/ou des blessures légères à modérées.

AVIS

Indique des informations considérées comme importantes, mais qui ne sont pas directement liées au danger.

CAUTION



TRIPPING HAZARD

Hoses may pose a tripping hazard that can cause injuries resulting from a fall

ATTENTION:

RISQUES DE GLISSEMENT ET DE TRÉBUTS

Lors du lavage à haute pression dans les espaces publics, des panneaux doivent être affichés indiquant de rester à l'écart de la zone pendant le lavage à haute pression. De plus, des panneaux doivent être affichés indiquant que la surface peut être glissante et qu'il peut y avoir des risques de trébuchement.

Une attention particulière doit être portée à la sécurité non seulement de l'opérateur du nettoyeur haute pression, mais également des personnes qui peuvent se trouver à proximité de la zone à nettoyer. La meilleure façon d'avertir les personnes sans méfiance est d'utiliser des panneaux de signalisation et des barrières.

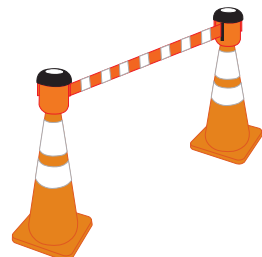
Les barrières peuvent être aussi simples que des cônes de signalisation en plastique ou des barricades à l'aide de ceintures de barrière autour de la zone à nettoyer. N'oubliez pas que le lavage à pression peut déloger une chaussée faible ou cassée, la transformant en projectiles pouvant blesser d'autres personnes. Garder les gens à l'écart de la zone est le meilleur moyen d'éviter les blessures.

La chaussée mouillée peut être glissante pour les personnes sans méfiance, causant des blessures causées par des glissades et des chutes. Les flexibles à haute et basse pression peuvent être des risques de trébuchement. Séparer la zone et placer une signalisation appropriée peut réduire les blessures.

Exemples de signes



Exemples de barrières





AVERTISSEMENT:

SÉCURITÉ DE L'OPÉRATEUR

Le fait de ne pas lire et suivre le manuel de l'opérateur et toutes ses instructions avant d'utiliser le produit peut entraîner la MORT ou des BLESSURES GRAVES. Lisez attentivement ce manuel et devenez un échec avec votre nettoyeur haute pression électrique. Connaître ses applications, ses limites et les risques encourus.



DANGER:

RISQUE D'ÉLECTROCUTION

Une connexion incorrecte du conducteur de mise à la terre de l'équipement peut entraîner un risque d'électrocution. Vérifiez auprès d'un électricien qualifié si vous n'êtes pas certain que la prise est correctement mise à la terre. NE PAS modifier la fiche fournie avec ce produit. S'il ne rentre pas dans la prise, faites installer une prise appropriée par un électricien qualifié. N'UTILISEZ AUCUN type d'adaptateur avec ce produit.



ATTENTION:

SOURCE DE COURANT

Ce nettoyeur haute pression ne doit être utilisé qu'avec une prise/fiche dédiée de 120 VCA, 60 Hz à 15 ou 20 ampères. Tous les autres appareils du circuit doivent être éteints ou débranchés lors de l'utilisation du nettoyeur haute pression. N'utilisez jamais le nettoyeur haute pression avec un adaptateur qui peut entraîner une tension plus élevée ou un courant excessif. Un courant excessif peut déclencher le disjoncteur. Consultez un électricien qualifié si vous n'êtes pas sûr de la capacité de la prise d'alimentation électrique souhaitée à alimenter en toute sécurité ce nettoyeur haute pression.

IL N'EST PAS RECOMMANDÉ D'UTILISER UNE RALLONGE. Si, toutefois, une rallonge est requise, il doit s'agir d'un **CORDON À 3 BROCHES POUR L'EXTÉRIEUR**, d'une longueur maximale de 50 pieds (15 m) et d'un minimum de conducteurs de 14 AWG (2,5 mm²). Déroulez toujours la rallonge lorsque vous l'utilisez. **N'UTILISEZ PAS** une rallonge dont la broche de mise à la terre est endommagée ou manquante.

AVIS

Cet appareil n'est pas destiné à être utilisé par des personnes (y compris des enfants) dont les capacités physiques, sensorielles ou mentales sont réduites ou qui manquent d'expérience et de connaissances, à moins qu'elles n'aient bénéficié d'une surveillance ou de formation concernant l'utilisation de l'appareil de la part d'une personne responsable de leur sécurité.

Les enfants doivent être surveillés afin de s'assurer qu'ils ne jouent pas avec l'appareil.

Protection par disjoncteur de fuite à la terre

Ce nettoyeur haute pression est fourni avec un disjoncteur de fuite à la terre (GFCI) intégré dans la fiche du cordon d'alimentation. Cet appareil offre une protection supplémentaire contre le risque de choc électrique.

Si le remplacement de la fiche ou du cordon devient nécessaire, utilisez uniquement des pièces de rechange identiques qui incluent une protection GFCI.

Instructions de mise à la terre

Ce nettoyeur haute pression doit être mis à la terre. En cas de dysfonctionnement ou de panne, la mise à la terre fournit un chemin de moindre résistance pour le courant électrique afin de réduire le risque de choc électrique. Ce produit est équipé d'un cordon qui contient un conducteur de mise à la terre et une fiche de mise à la terre. La fiche doit être connectée à une prise appropriée qui est correctement installée et mise à la terre conformément à tous les codes et ordonnances locaux.

Surcharge du moteur

Le moteur électrique de ce nettoyeur haute pression est équipé d'un dispositif de protection contre les surcharges thermiques. Cet appareil éteindra automatiquement le moteur si le moteur surchauffe ou consomme trop de courant. Si la protection contre les surcharges est déclenchée, coupez l'alimentation en plaçant l'interrupteur principal MARCHE/ARRÊT sur la position ARRÊT (0). Laissez l'appareil refroidir pendant trente (30) minutes. Une fois l'appareil refroidi, placez l'interrupteur principal MARCHE/ARRÊT sur la position MARCHE (I) pour reprendre le fonctionnement.

Soupape de décharge thermique

Lorsque la température à l'intérieur de la pompe atteint un réglage prédéterminé, cette vanne s'ouvre, permettant à l'eau chaude de sortir et à l'eau froide d'entrer, refroidissant la pompe. La valeur se fermera alors.

ÉQUIPEMENT DE PROTECTION INDIVIDUELLE (EPI)

Il est important de comprendre quel équipement de protection individuelle (EPI) doit être utilisé lors de l'utilisation de votre laveur sous pression. Vous trouverez ci-dessous une liste des équipements de protection individuelle qui doivent être utilisés à tout moment lors de l'utilisation d'un laveur sous pression.

Ouïe : Bouchons d'oreilles ou casques pour protéger votre ouïe.

Vision : Lunettes de sécurité pour protéger vos yeux.

Vêtements : Pantalon long pour protéger vos jambes des débris volants.

Chaussures : Chaussures couvrant entièrement vos pieds pour vous protéger des débris et des projections.

DÉBALLAGE

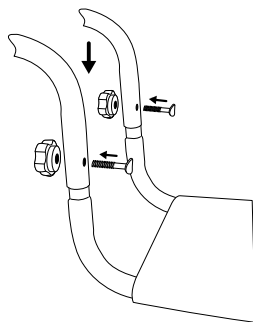
Suivez les étapes décrites dans cette section pour déballer et assembler votre laveur sous pression. Si vous avez des questions concernant le déballage ou l'assemblage de votre laveur sous pression, veuillez avoir votre numéro de modèle et votre numéro de série à portée de main, puis contactez le service clientèle au 1 877 362-4271 ou par courriel à cservice@fna-group.com.

1. Placez la boîte d'expédition sur une surface plane et solide.
2. Découpez soigneusement le dessus du carton.
3. Coupez soigneusement chaque coin du carton de haut en bas.
4. Dépliez chaque côté du carton à plat sur le sol.
5. Retirez le contenu de l'emballage.

ASSEMBLAGE

Installer la poignée à boulons

Glissez la poignée sur le cadre puis sécurisez-la avec les boutons et boulons fournis.

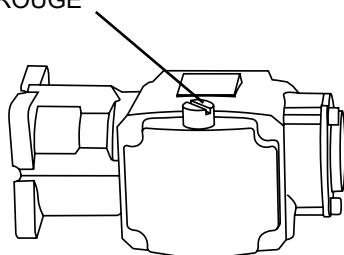


Ajout du bouchon de reniflard de la pompe (s'il y a lieu)

Un bouchon d'expédition ROUGE se trouve dans la pompe et doit être remplacé par un bouchon de reniflard NOIR. Le bouchon est facile à remplacer en suivant les étapes suivantes :

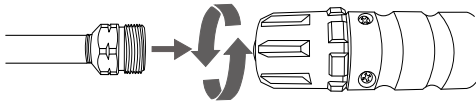
1. À l'aide d'un tournevis à lame, retirez le bouchon d'expédition ROUGE du haut de la pompe.
2. Enfillez à la main le bouchon de reniflard NOIR dans la pompe.
3. Serrez le bouchon avec vos doigts.

Bouchon d'expédition ROUGE



Bouchon de reniflard NOIR

Assembler le pistolet de pulvérisation

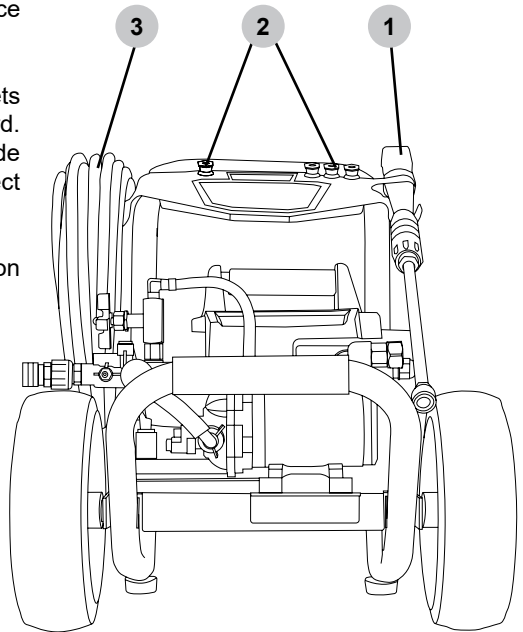


1. Fixez la lance au pistolet en tournant avec précaution le coupleur du pistolet de pulvérisation jusqu'à ce que le coupleur cesse de tourner. Ne serrez pas trop fort. La plupart des filetages de la lance ne seront pas visibles si la lance et le pistolet sont correctement assemblés. Assurez-vous de ne pas croiser les filetages du pistolet et de la lance.

AVERTISSEMENT! Les filetages du coupleur de la lance et du pistolet peuvent être facilement croisés, ce qui entraîne un assemblage incorrect. Un assemblage incorrect du pistolet et de la lance peut entraîner des blessures. Ne pas utiliser si les filetages du coupleur du pistolet et/ou de la lance sont croisés.

Organiser les accessoires

1. Placez l'ensemble pistolet et lance dans le support du tableau de bord.
2. Poussez les buses dans les œillets en caoutchouc du tableau de bord. Remarque : l'étiquette du tableau de bord indique l'emplacement correct des buses.
3. Accrochez le tuyau haute pression sur le support.

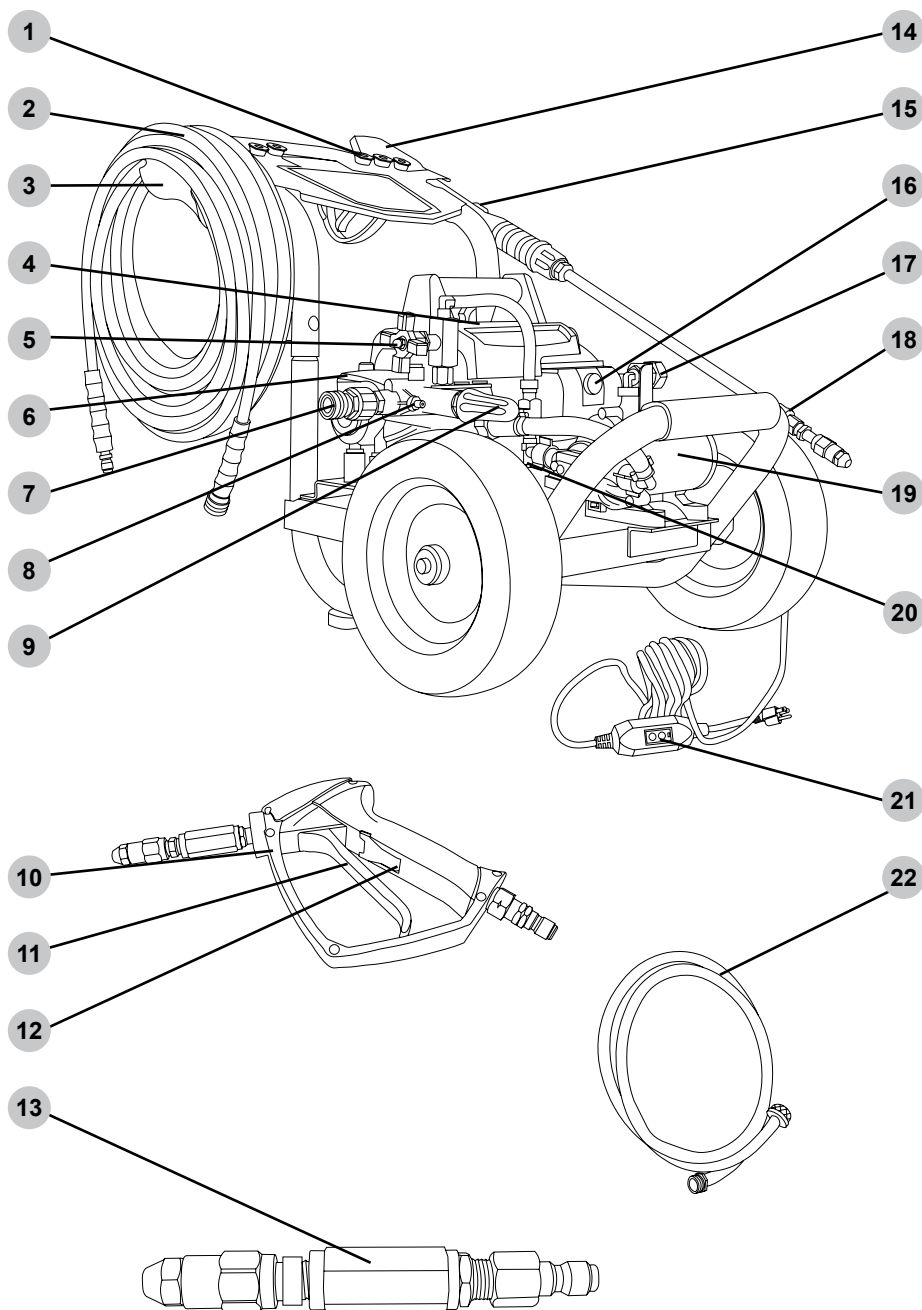


AVERTISSEMENT:

LISTE DE CONTRÔLE DE FONCTIONNEMENT

Tenter de démarrer le moteur ou d'utiliser le laveur sous pression incorrectement peut endommager le moteur et/ou le laveur sous pression et provoquer des blessures graves ou la mort. Pour éviter ces risques, ne manquez pas de lire, comprendre et respecter les étapes décrites dans la section LISTE DE CONTRÔLE DE FONCTIONNEMENT du manuel de l'utilisateur avant de démarrer le moteur et de suivre toutes les recommandations pour l'utilisation correcte du laveur sous pression.

EMPLACEMENT DES COMPOSANTS



1. Porte-buses
2. Tuyau haute pression
3. Support de tuyau
4. Moteur électrique de la pompe haute pression
5. Vanne de dosage à double action
6. Pompe à haute pression
7. Sortie de la pompe haute pression
8. Embout de tuyau de détergent (savon)
9. Bouton de commande du déchargeur
10. Pistolet brumisateur dédié
11. Gâchette du pistolet brumisateur
12. Verrouillage de la gâchette du pistolet brumisateur
13. Buse de brumisation QC
14. Pistolet haute pression
15. Porte-pistolet
16. Bouton ON / OFF
17. Coupleur de tuyau d'arrosage et filtre d'entrée d'eau
18. Raccord rapide de la lance d'arrosage
19. Pompe auto-amorçante et moteur électrique
20. Soupape de sûreté thermique
21. Cordon d'alimentation avec protection GFCI intégrée
22. Tuyau d'alimentation et filtre

LISTE DE CONTRÔLE DE FONCTIONNEMENT

Emplacement

IL N'EST PAS RECOMMANDÉ D'UTILISER UNE RALLONGE. Si, toutefois, une rallonge est requise, il doit s'agir d'un CORDON À 3 BROCHES POUR L'EXTÉRIEUR, d'une longueur maximale de 50 pieds (15m) et d'un minimum de conducteurs de 14 AWG (2,5 mm²). Déroulez toujours la rallonge lorsque vous l'utilisez. N'UTILISEZ PAS une rallonge dont la broche de mise à la terre est endommagée ou manquante.

Conditions de fonctionnement

Avant chaque utilisation, vérifiez s'il y a des pièces desserrées ou endommagées et toute autre condition pouvant affecter l'utilisation appropriée. Réparez ou remplacez immédiatement toutes les pièces endommagées et/ou défectueuses. Gardez toujours tous les dispositifs de protection en place et en bon état de fonctionnement. Pour des raisons de sécurité, le fabricant recommande que tous les entretiens et réparations soient effectués par un centre de service agréé.

Avant de démarrer le moteur, enlevez toute saleté et tout débris excessifs des événements de refroidissement, de l'échappement et des zones du démarreur manuel. Utilisez toujours le laveur sous pression sur une surface plane et ne déplacez ou ne basculez jamais le laveur sous pression en cours d'utilisation. N'utilisez le laveur sous pression que pour l'usage auquel il est destiné. Si vous avez des questions sur l'utilisation appropriée de votre laveur sous pression, veuillez communiquer avec le service à la clientèle au 1 877 362-4271 ou à cservice@fna-group.com.



AVERTISSEMENT:

UTILISATION PAR DES PERSONNES NON FORMÉES

Les adultes non formés et les enfants peuvent subir de graves blessures ou la mort s'ils sont autorisés à utiliser ou à jouer avec un laveur sous pression en fonctionnement. Pour éviter ces dangers, veillez à ce quiconque utilisant le laveur sous pression reçoive les instructions adéquates, comprenne le fonctionnement sécuritaire et lise le manuel de l'utilisateur avant d'utiliser ce produit. Ne laissez pas les enfants utiliser le laveur sous pression sans supervision parentale. Gardez les enfants et les animaux domestiques à l'écart du laveur sous pression lorsqu'il fonctionne. Éteignez toujours le laveur sous pression avant de quitter la zone.



AVERTISSEMENT:

INSPECTER AVANT D'UTILISER

Le fait de ne pas inspecter ce produit avant de l'utiliser peut créer une situation dangereuse entraînant des dommages au produit, des blessures graves et/ou la mort. Pour éviter ces dangers, inspectez le laveur sous pression avant chaque utilisation. Vérifiez si des pièces sont desserrées ou endommagées, les signes de fuites d'huile ou de carburant, si des protections sont manquantes et toute autre condition susceptible d'affecter l'utilisation appropriée. Réparez ou remplacez toutes les pièces endommagées ou défectueuses et maintenez les protections de sécurité en place et en bon état de fonctionnement avant d'utiliser le laveur sous pression.



AVERTISSEMENT:

BLESSURE PAR INJECTION

Les hautes pressions créées par un laveur sous pression peuvent provoquer des blessures par injection de liquide, des lacérations graves, des amputations et/ou la mort. Pour éviter ces dangers, orientez toujours le pistolet de pulvérisation et la lance dans une direction sécuritaire et ne tentez jamais de toucher une fuite dans un tuyau ou un raccord sous haute pression.



AVERTISSEMENT:

PIÈCES MOBILES

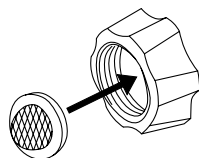
Ce produit contient de nombreuses pièces mobiles à haute vitesse. Les pièces mobiles peuvent causer des écrasements, des fractures, des lacérations graves et/ou des amputations traumatiques. Pour éviter les blessures, ne placez jamais vos doigts, mains, pieds ou autre partie du corps à proximité du moteur en marche. N'utilisez jamais le produit avec les capots, les coiffes ou autres protections retirés. Ne portez pas de vêtements amples, de cordon pendant ou autres objets pendants susceptibles de s'accrocher dans les pièces mobiles en fonctionnement. Attachez vos cheveux longs et retirez vos bijoux avant l'utilisation.

FONCTIONNEMENT BRUMISAGE

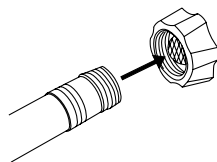
RACCORDEMENT DES TUYAUX

Ces instructions sont spécifiques à l'exécution d'une opération de brumisation. Si vous souhaitez utiliser les opérations de lavage à haute pression, veuillez suivre les instructions à partir de la page 20.

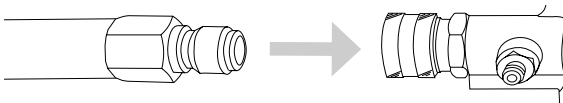
1. Vérifiez que la grille d'entrée est exempte de toute saleté ou débris et qu'elle est en place avec le côté convexe vers l'extérieur.



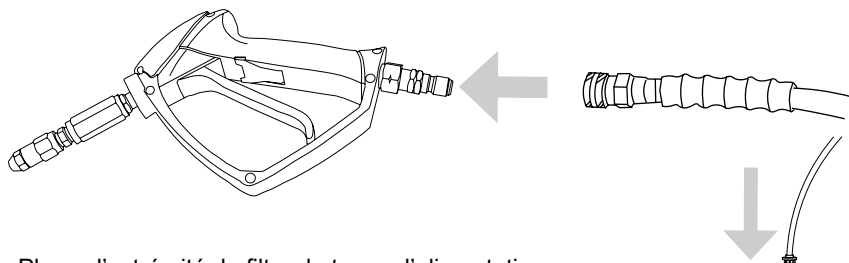
2. Ouvrez l'alimentation en eau et faites-la fonctionner pendant 30 secondes pour purger les débris du tuyau d'alimentation. Coupez ensuite l'arrivée d'eau et vissez le boyau d'eau dans l'entrée de la pompe.



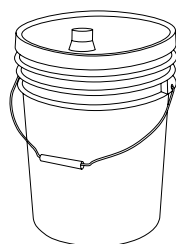
3. Tout en tirant vers l'arrière sur le collier de sortie de la pompe, insérez le raccord du tuyau et relâchez le collier. Tirez doucement sur le tuyau pour vous assurer qu'il est bien verrouillé.



4. Tout en tirant sur le collier de sortie du flexible haute pression, insérez le connecteur du pistolet brumisateur puis relâchez le collier. Tirez doucement sur le tuyau pour vous assurer qu'il est verrouillé.

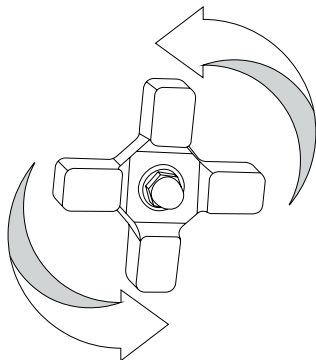


5. Placez l'extrémité du filtre du tuyau d'alimentation dans la solution désinfectante. Simpson recommande Vital Oxide. Reportez-vous toujours à la fiche de données de sécurité du fabricant pour le désinfectant de votre choix afin de vous assurer qu'il est sans danger pour une opération de brumisation. **N'UTILISEZ JAMAIS D'EAU DE JAVEL OU D'AUTRES PRODUITS CHIMIQUES CAUSTIQUES.**



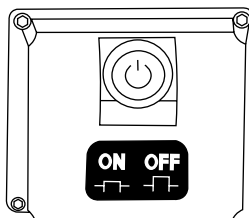
RÉGLAGE DE LA VANNE DE DOSAGE

La vanne de dosage détermine l'évolution de la pression dans la pompe. Une pression plus faible est nécessaire pour le fonctionnement en brumisation. Lorsque l'opération de brumisation est souhaitée, tournez le bouton de la valve complètement dans le sens antihoraire jusqu'à ce que le bouton s'arrête. Une fois que vous démarrez l'opération de brumisation, vous ajusterez le bouton pour la densité de brumisation souhaitée.



DÉMARRAGE DU MISTER MOTOR

1. Assurez-vous que l'interrupteur principal ON / OFF est en position OFF (0).



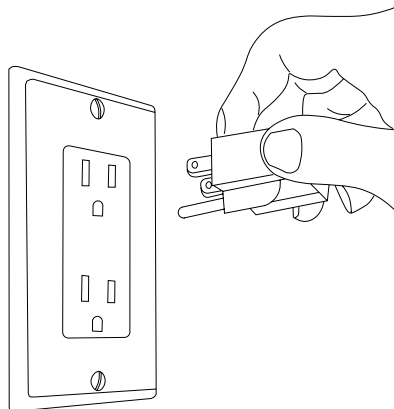
ATTENTION:

SOURCE DE COURANT

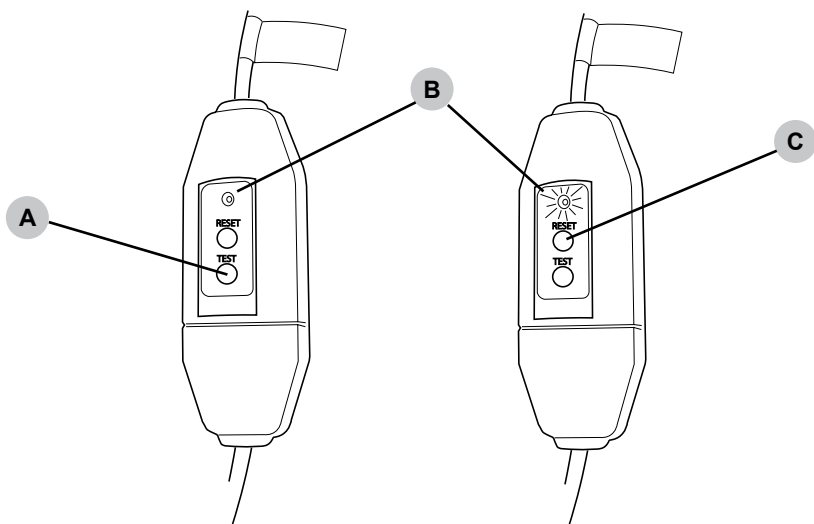
Ce nettoyeur haute pression ne doit être utilisé qu'avec une prise/fiche dédiée de 120 VCA, 60 Hz à 15 ou 20 ampères. Tous les autres appareils du circuit doivent être éteints ou débranchés lors de l'utilisation du nettoyeur haute pression. N'utilisez jamais le nettoyeur haute pression avec un adaptateur qui peut entraîner une tension plus élevée ou un courant excessif. Un courant excessif peut déclencher le disjoncteur. Consultez un électricien qualifié si vous n'êtes pas sûr de la capacité de la prise d'alimentation électrique souhaitée à alimenter en toute sécurité ce nettoyeur haute pression.

IL N'EST PAS RECOMMANDÉ D'UTILISER UNE RALLONGE. Si, toutefois, une rallonge est requise, il doit s'agir d'un **CORDON À 3 BROCHES POUR L'EXTÉRIEUR**, d'une longueur maximale de 50 pieds (15m) et d'un minimum de conducteurs de 14 AWG (2,5 mm²). Déroulez toujours la rallonge lorsque vous l'utilisez. **N'UTILISEZ PAS** une rallonge dont la broche de mise à la terre est endommagée ou manquante.

2. Branchez le cordon d'alimentation électrique dans une prise mise à la terre de 120 volts CA à 15 ou 20 ampères qui a été correctement installée conformément à tous les codes et ordonnances locaux. Le voyant lumineux sur le GFCI doit être allumé (ON).



3. Appuyez sur le bouton TEST (A). Le voyant (B) doit maintenant être éteint (OFF).

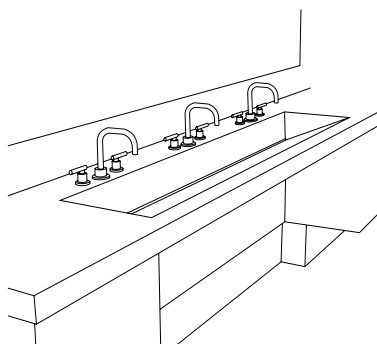
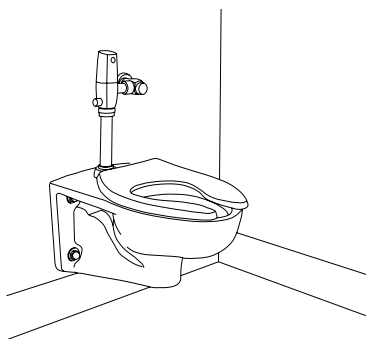
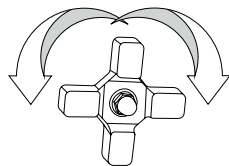


4. Appuyez sur le bouton RESET (C). Le voyant (B) s'allume maintenant (ON).
AVIS - NE PAS utiliser le brumisateur si le test ci-dessus échoue.

APPLICATION DE BRUME

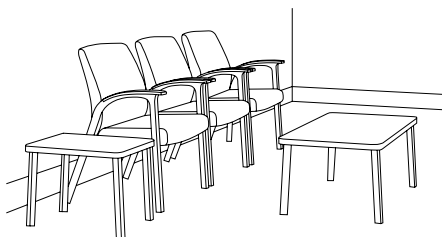
Pour l'utilisation du brumisateur désinfectant, Simpson recommande Vital Oxide. Quel que soit le fabricant, suivez toujours toutes les instructions et tenez compte de tous les avertissements et mises en garde. En cas de doute sur l'adéquation de l'application, contactez le fabricant du désinfectant pour consultation. Surveillez attentivement le seau de désinfectant. NE PAS laisser les pompes fonctionner à sec car cela pourrait les endommager.

1. Enlever la saleté, la crasse ou les matières organiques en nettoyant la **surface dure et non poreuse** avant de commencer l'opération de brumisation. Retirez les aliments de la (des) surface(s).
2. Appuyez sur le bouton principal ON/OFF du brumisateur en position ON (I).
3. Dirigez le pistolet brumisateur vers la surface à désinfecter, ouvrez le verrou de la gâchette et appuyez sur la gâchette. Ajustez le bouton de la valve de dosage pour créer la densité de brouillard souhaitée.
4. Déplacez le pistolet brumisateur à un rythme lent et régulier permettant au désinfectant de recouvrir la surface sans laisser de zones non traitées.
5. Pour l'inactivation des virus lors de l'utilisation du Vital Oxide recommandé, laissez la surface humide pendant cinq à dix minutes. Laissez la surface humide pendant dix minutes pour une désinfection bactérienne. **REMARQUE** : Reportez-vous aux instructions du fabricant pour savoir combien de temps les surfaces doivent rester humides.



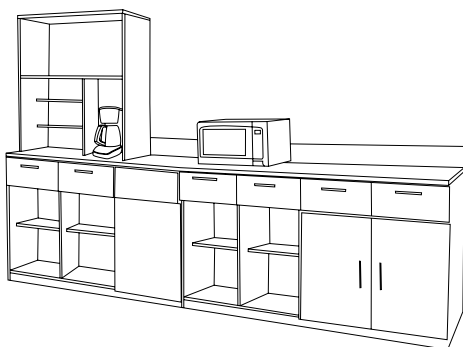
TOILETTES

Retirer les articles en papier de la surface de l'évier. Évitez de vaporiser les rouleaux de papier hygiénique exposés.



MOBILIER DE BUREAU

Nettoyer les surfaces du papier, des débris et de la saleté. Ne vaporisez pas les tissus. Consulter le fabricant du désinfectant pour d'autres matériaux appropriés.



SALLE À MANGER

Nettoyez les surfaces du papier, des débris et de la saleté. Retirez la nourriture et les ustensiles de cuisine. Ne retournez pas les aliments tant que le désinfectant n'est pas complètement sec.

ARRÊT ET NETTOYAGE DU BRUMISEUR

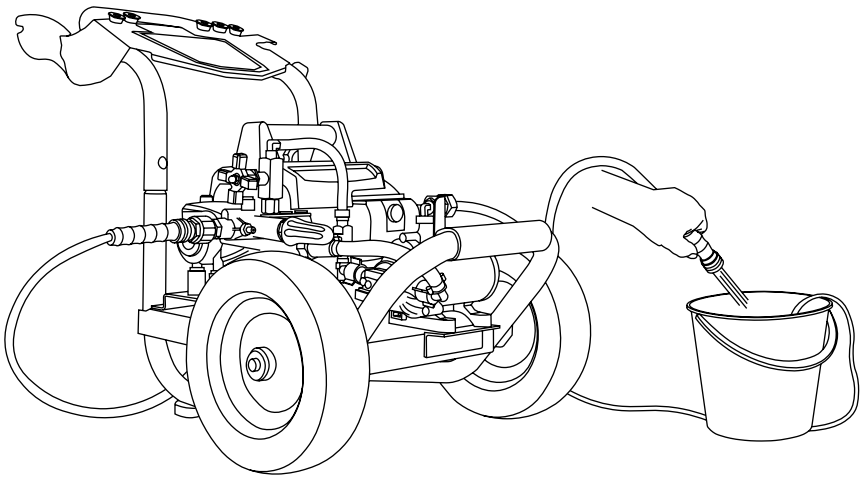
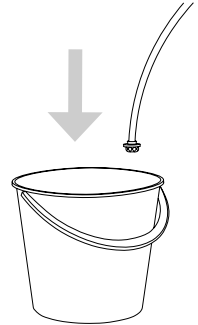


AVIS

DOMMAGES À LA POMPE

Ne retirez pas le tuyau d'alimentation du bidon de désinfectant et ne laissez pas le bidon s'assécher. De graves dommages à la pompe peuvent survenir en l'absence de solution désinfectante.

1. Appuyez sur le bouton principal ON/OFF du brumisateur en position OFF (O).
2. Pointez le pistolet brumisateur sur le côté et appuyez sur la gâchette pour relâcher la pression stockée.
3. Retirez le tuyau d'alimentation de la solution désinfectante et placez-le dans un seau ou un seau rempli aux 3/4 d'eau fraîche et propre.
4. Retirez le pistolet brumisateur du tuyau haute pression en tirant sur le collier du tuyau.
5. Tout en maintenant l'extrémité ouverte du tuyau haute pression au-dessus du seau de déchets frais, allumez le brumisateur. Laisser l'eau douce recirculer dans le seau pendant une à deux minutes.



6. Appuyez sur le bouton principal ON/OFF du brumisateur en position OFF (O).
7. Reconnectez le pistolet brumisateur au flexible haute pression ; démarrer le brumisateur.
8. Tout en pointant le pistolet brumisateur sur le seau, appuyez sur la gâchette pour permettre à l'eau douce de rincer le pistolet brumisateur sans désinfectant pendant 30 secondes.
9. Appuyez sur le bouton principal ON/OFF du brumisateur en position OFF (O).
10. Dévisser le tuyau d'alimentation du brumisateur. Égoutter-le dans le seau; bobine pour le stockage.

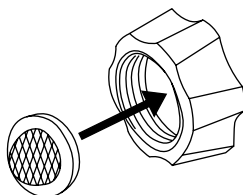
11. Pointez le pistolet brumisateur sur le côté et appuyez sur la gâchette pour relâcher la pression stockée.
12. Débrancher le flexible haute pression du pistolet brumisateur et de la pompe brumisateur.
13. Vidanger le tuyau haute pression dans un évier de baignoire utilitaire ; bobine et placez-la sur le support de tuyau près de la poignée du brumisateur.
14. Jeter le contenu de manière appropriée

FONCTIONNEMENT DU NETTOYEUR HAUTE PRESSION

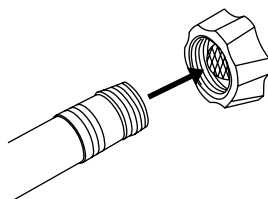
RACCORDEMENT DES TUYAUX

Avant de raccorder un tuyau d'alimentation en eau, assurez-vous que l'alimentation en eau est capable de fournir une source ininterrompue d'eau propre et froide à un débit minimum de 5 gallons par minute (GPM) et 20 livres par pouce carré (PSI) de pression. Une fois que l'alimentation en eau est assurée, suivez les instructions ci-dessous pour connecter le tuyau d'alimentation en eau et le tuyau haute pression au laveur sous pression.

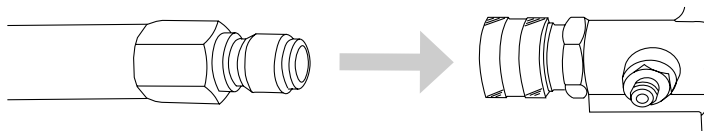
1. Vérifiez que la grille d'entrée est exempte de toute saleté ou débris et qu'elle est en place avec le côté convexe vers l'extérieur.



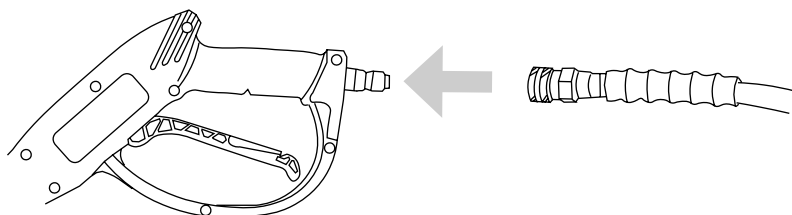
2. Ouvrez l'alimentation en eau et faites-la fonctionner pendant 30 secondes pour purger les débris du tuyau d'alimentation. Coupez ensuite l'arrivée d'eau et vissez le boyau d'eau dans l'entrée de la pompe.



3. Tout en tirant vers l'arrière sur le collier de sortie de la pompe, insérez le raccord du tuyau et relâchez le collier. Tirez doucement sur le tuyau pour vous assurer qu'il est bien verrouillé.

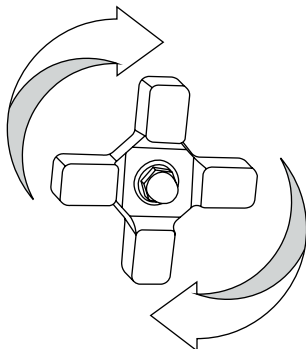


4. Tout en tirant vers l'arrière sur le collier de sortie du tuyau, insérez le raccord du pistolet et relâchez le collier. Tirez doucement sur le tuyau pour vous assurer qu'il est bien verrouillé.



RÉGLAGE DE LA VANNE DE DOSAGE

La vanne de dosage détermine l'évolution de la pression dans la pompe. Pour le fonctionnement du nettoyeur haute pression, tournez le bouton de la valve à fond dans le sens des aiguilles d'une montre jusqu'à ce que le bouton s'arrête.



PURGE DE L'AIR DE LA POMPE



AVIS

PURGE DE LA POMPE

L'utilisation d'une pompe de laveur sous pression sans eau endommage sévèrement les joints de la pompe ainsi que d'autres composants internes. Pour éviter ce risque, vérifiez de l'alimentation en eau est ininterrompue au moins 5 GPM à 20 PSI et purgez toujours l'air de la pompe de votre laveur sous pression avant de démarrer le moteur.



AVERTISSEMENT:

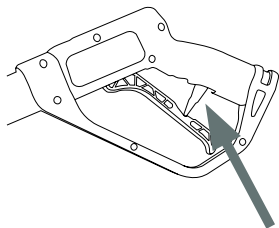
BLESSURE PAR INJECTION

Les hautes pressions créées par un laveur sous pression peuvent provoquer des blessures par injection de liquide, des lacérations graves, des amputations et/ou la mort. Pour éviter ces dangers, orientez toujours le pistolet de pulvérisation et la lance dans une direction sécuritaire et ne tentez jamais de toucher une fuite dans un tuyau ou un raccord sous haute pression.

Une pompe de laveur sous pression est conçue pour fonctionner avec de l'eau qui la traverse. L'eau lubrifie et refroidit les composants internes de la pompe. L'utilisation d'une pompe de laveur sous pression sans eau endommage sévèrement les joints de la pompe ainsi que d'autres composants internes. Les dommages causés par le fonctionnement d'une pompe de laveur sous pression sans eau ne sont pas couverts par la garantie. Veillez à suivre les instructions ci-dessous pour purger correctement l'air de votre pompe de laveur sous pression avant de démarrer le moteur.






1. Raccordez tous les tuyaux en suivant les étapes décrites dans la section RACCORDEMENT DES TUYAUX de ce guide, puis ouvrez la source d'eau froide.

- Orientez le pistolet de pulvérisation dans une direction sécuritaire et maintenez la gâchette enfoncée pendant au moins 30 secondes ou jusqu'à ce que l'eau coule régulièrement et que tout l'air soit purgé de la pompe et des boyaux.
- Vérifiez l'absence de fuites dans les tuyaux et les raccords. Si vous trouvez des fuites, arrêtez la machine, dirigez le pistolet de pulvérisation dans une direction sécuritaire et appuyez sur la gâchette pour relâcher toute pression accumulée dans le système. N'essayez jamais de toucher une fuite dans un tuyau ou un raccord haute pression. N'essayez jamais de réparer un tuyau haute pression.
- Enclenchez le verrou de la gâchette.



Sélection de la buse

Les buses fournies avec le laveur sous pression ont des jets spécifiques conçus pour nettoyer différentes surfaces. L'utilisation d'une buse incorrecte peut endommager les surfaces. Consultez le tableau ci-dessous pour sélectionner la buse correcte avant d'utiliser le laveur sous pression. **REMARQUE** : La sélection des buses incluses peut varier selon les modèles de laveurs sous pression.

Couleur	5-N-1 (Si équipé)	Modèle de pulvérisation	Utilisations	Surfaces
Rouge		BRUME	Applique le nettoyage solutions par brumisation	Le spray brumisateur est sans danger sur toutes les surfaces. Vérifiez toujours la compatibilité de solution de nettoyage avant utilisation.
Jaune		15°	Nettoyage intense des surfaces non peintes	Grilles, allées, trottoirs en béton et en brique, brique et stuc non peints
Vert		25°	Buse de nettoyage standard pour la plupart des applications	Outils de chantier, trottoirs, meubles de jardin, revêtement non peint, stuc, caniveaux, avant-toits, surfaces en béton et brique
Blanc		40°	Nettoyage des surfaces peintes ou délicates	Revêtements pour automobiles, camions, véhicules récréatifs, bateaux, bois, briques peintes, stucs peints, vinyle et revêtements peints
Noir		Savon	Application de solutions de nettoyage	Sécuritaire sur toutes surfaces. Vérifiez toujours la compatibilité des solutions de nettoyage avant l'emploi.



AVIS

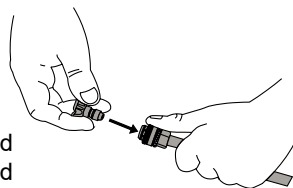
DOMMAGES DE PULVÉRISATION

La pulvérisation sous haute pression peut endommager les plantes et autres surfaces. Pour éviter de causer des dommages, couvrez les plantes avant de pulvériser à proximité, consultez le tableau Sélection de la buse dans ce guide pour connaître la sélection de la buse correcte et testez les surfaces avant de pulvériser pour vérifier si elles sont suffisamment robustes pour supporter une pulvérisation sous haute pression.

Installation de la buse

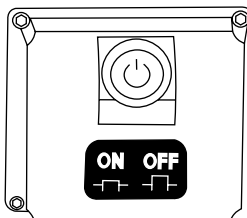
Si le moteur est en marche, assurez-vous que le verrou de la gâchette est en position verrouillée avant de retirer et d'installer les buses.

Pour placer une buse dans la lance d'arrosage, tirez le raccord rapide vers l'arrière, insérez la buse, puis relâchez le raccord pour qu'il se remette en place. Une fois installée, tirez sur la buse pour vous assurer qu'elle est bien fixée.



MISE EN MARCHÉ DU NETTOYEUR HAUTE PRESSION

1. Raccorder les tuyaux comme indiqué à la page 20.
2. Ouvrez l'eau et purger le système d'air comme indiqué à la page 21.
3. Insérer la buse souhaitée comme indiqué à la page 23.
4. Appuyez sur le bouton principal ON/OFF du brumisateur en position OFF (O).



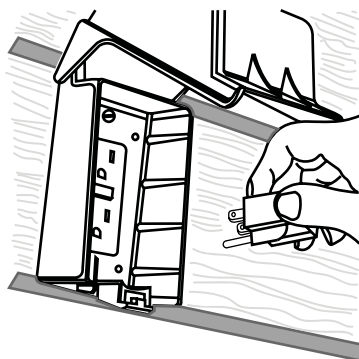
! ATTENTION:

SOURCE DE COURANT

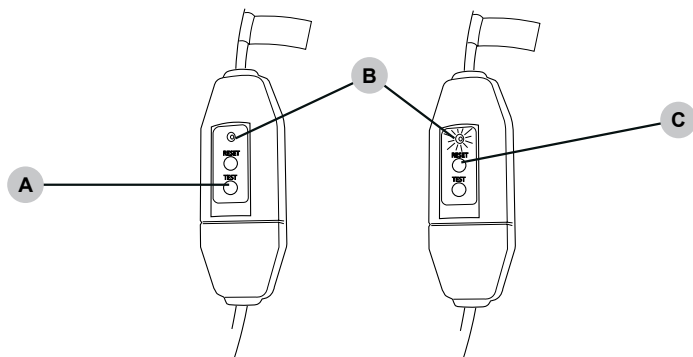
Ce nettoyeur haute pression ne doit être utilisé qu'avec une prise/fiche dédiée de 120 VCA, 60 Hz à 15 ou 20 ampères. Tous les autres appareils du circuit doivent être éteints ou débranchés lors de l'utilisation du nettoyeur haute pression. N'utilisez jamais le nettoyeur haute pression avec un adaptateur qui peut entraîner une tension plus élevée ou un courant excessif. Un courant excessif peut déclencher le disjoncteur. Consultez un électricien qualifié si vous n'êtes pas sûr de la capacité de la prise d'alimentation électrique souhaitée à alimenter en toute sécurité ce nettoyeur haute pression.

IL N'EST PAS RECOMMANDÉ D'UTILISER UNE RALLONGE. Si, toutefois, une rallonge est requise, il doit s'agir d'un **CORDON À 3 BROCHES POUR L'EXTÉRIEUR**, d'une longueur maximale de 50 pieds (15m) et d'un minimum de conducteurs de 14 AWG (2,5 mm²). Déroulez toujours la rallonge lorsque vous l'utilisez. **N'UTILISEZ PAS** une rallonge dont la broche de mise à la terre est endommagée ou manquante.

5. Branchez le cordon d'alimentation électrique dans une prise mise à la terre de 120 volts CA à 15 ou 20 ampères qui a été correctement installée conformément à tous les codes et ordonnances locaux. Le voyant lumineux sur le GFCI doit être allumé (ON).



6. Appuyez sur le bouton TESTER (A). Le voyant (B) doit maintenant être éteint (OFF).



7. Appuyez sur le bouton RÉINITIALISER (C). Le voyant (B) s'allume maintenant (ON).
AVIS - N'utilisez PAS le nettoyeur haute pression si le test ci-dessus échoue.
8. Appuyez sur le bouton principal ON/OFF du nettoyeur haute pression en position ON (I).
9. Dirigez le pistolet dans une direction sûre, ouvrez le verrou de la gâchette et appuyez sur la gâchette. Le moteur du nettoyeur haute pression électrique démarre lorsque la gâchette du pistolet pulvérisateur est enfoncée et continue de fonctionner même lorsqu'elle est relâchée.

ARRÊT DU NETTOYEUR HAUTE PRESSION



AVIS

DOMMAGES DE LA POMPE

Couper l'arrivée d'eau à votre pompe alors que le moteur fonctionne endommage la pompe. Les dommages causés par le fonctionnement de la pompe sans eau ne sont pas couverts par la garantie. Pour éviter ce risque, arrêtez toujours le moteur avant de couper l'arrivée d'eau.

1. Régler le verrou de gâchette sur le pistolet pulvérisateur.
2. Appuyez sur le bouton principal ON/OFF du nettoyeur haute pression à la position OFF (0).
3. Fermez l'alimentation en eau.
4. Relâchez le verrou de la gâchette, puis appuyez sur la gâchette du pistolet pulvérisateur pour relâcher la pression dans le tuyau et la pompe.
5. Laissez le nettoyeur haute pression refroidir complètement avant de le manipuler et de le ranger.

UTILISATION DE PRODUITS CHIMIQUES

(Utilisation à haute pression uniquement)

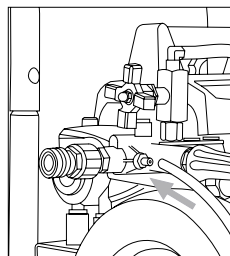


AVIS

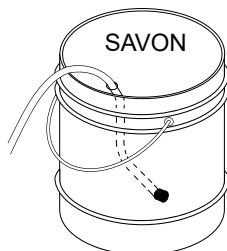
LIQUIDES VOLATILS

Le lavage sous pression avec des liquides volatils, inflammables ou corrosifs peut endommager le laveur sous pression et causer un incendie ou une explosion entraînant des blessures graves et/ou la mort. Pour éviter ces dangers, utilisez exclusivement des détergents et substances chimiques approuvés, ne tentez pas de laver sous pression avec des liquides volatils, inflammables ou corrosifs et n'utilisez JAMAIS de chlore.

1. Fixez l'extrémité ouverte du boyau de détergent sur le raccord cannelé de la pompe.

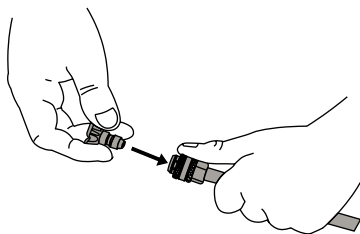


2. Placez l'extrémité filtrée du tuyau de détergent dans un contenant de détergent.



3. Si le moteur est en marche, assurez-vous que le verrou de la gâchette est en position verrouillée avant de retirer et d'installer les buses.

4. Insérez la buse noire dans la lance d'arrosage conformément à la section Installation de la buse de ce guide. **REMARQUE** : Les détergents ne sont pas siphonnés si la buse noire n'est pas installée sur la lance de pulvérisation.



5. Après avoir utilisé du détergent, placez l'extrémité filtrée du boyau de détergent dans un contenant d'eau propre et actionnez le laveur sous pression pour tirer l'eau propre à travers le boyau et pompez jusqu'à ce que le système soit soigneusement rincé. La pompe peut être endommagée si du détergent ou d'autres substances chimiques demeurent dans la pompe. Les dommages de la pompe dus au détergent et au résidu chimique ne sont pas couverts par la garantie.

CONSEILS D'UTILISATION

Termes

- PSI : Les livres par pouce carré (PSI) sont l'unité de mesure de la pression de l'eau. Dans le cas d'un laveur sous pression, plus le nombre de PSI est élevé, plus la pression et la puissance de décapage produites sont importantes.
- GPM : Les gallons par minute (GPM) représentent le débit d'eau. Dans le cas d'un laveur sous pression, plus le nombre de gallons par minute est élevé, plus le débit ou la puissance de rinçage est important.
- CU : Les unités de nettoyage expriment l'efficacité du nettoyeur haute pression. Les unités de nettoyage sont calculées en multipliant le PSI par le GPM. Plus l'unité de nettoyage est élevée, plus le laveur sous pression est efficace.

Préparation

- Lisez tous les avertissements et toutes les instructions de ce guide et de tous les autres guides fournis avec le laveur sous pression.
- Retirez tous les jouets, vélos, meubles de jardin, etc. de la zone de travail s'ils ne doivent pas être nettoyés.
- Balayez la saleté et les débris de la surface que vous allez laver sous pression.
- Couvrez les plantes à proximité pour éviter de les endommager avec le jet de laveur sous pression.
- Prenez des précautions lorsque vous pulvérisez les fenêtres. Utilisez toujours la buse blanche de 40° et restez à une distance d'au moins 4 pieds (1,2 mètres).
- Posez des bâches pour récupérer les éclats de peinture et autres débris qui sont emportés par le jet. Les peintures extérieures utilisées avant 1977 peuvent contenir du plomb et produire des copeaux qui devront être collectés et éliminés dans une installation de traitement des déchets dangereux.

Lavage sous pression

- Une pulvérisation plus large permet de nettoyer plus rapidement, alors qu'une pulvérisation plus étroite permet un nettoyage plus en profondeur.
- Tenez la buse à environ 4 pieds (1,2 mètres) du revêtement pour éviter les dommages.
- Commencez à laver les revêtements du bas vers le haut, puis rincez du haut vers le bas.
- Évitez d'envoyer de l'eau derrière le revêtement.
- Utilisez des touches qui se chevauchent pour un nettoyage uniforme.
- Travaillez par petites surfaces pour éviter que le savon ne sèche.
- Ne dirigez pas la buse directement vers une surface. Tenez la lance selon un angle de 45°degrés par rapport à la surface à une distance qui permet de bien nettoyer sans endommager.

Réglage de la pression

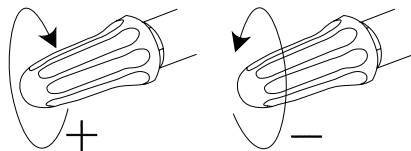
Le réglage de la pression est préréglé en usine pour obtenir une pression et un nettoyage optimaux. Si vous devez réduire la pression, vous pouvez le faire de la manière suivante.

- Éloignez-vous de la surface à nettoyer. Plus vous positionnez la buse loin de la surface à nettoyer, plus la pression pour atteindre la surface est faible.
- Passez à la buse blanche de 40°. Cette buse produit une pression plus faible et un jet plus large.

Votre appareil est peut-être équipé d'une fonction supplémentaire qui vous permet de régler la pression.

Pour réduire la pression, tournez le bouton dans le sens inverse des aiguilles d'une montre jusqu'à la pression souhaitée.

Pour revenir au réglage d'usine, tournez le bouton dans le sens des aiguilles d'une montre jusqu'à ce qu'il s'arrête.



REMARQUE : Ne serrez pas trop le bouton de réglage de la pression. S'il est trop serré, le bouton PEUT se casser, entraînant une perte de pression immédiate et des réparations coûteuses non couvertes par la garantie.

DÉPANNAGE

PROBLÈME	CAUSE POSSIBLE	SOLUTION
Le nettoyeur haute pression ne démarre pas ou le disjoncteur se déclenche.	Le cordon d'alimentation n'est pas branché.	Brancher le cordon dans une prise de 120 volts, 15 ampères.
	Le disjoncteur de la maison est déclenché.	Réinitialisez le disjoncteur.
	La prise équipée d'un GFCI (le cas échéant) est déclenchée.	Réinitialisez le GFCI en appuyant sur le bouton RESET.
	Le GFCI du cordon d'alimentation est déclenché.	Réinitialiser le GFCI en appuyant sur le bouton RESET.
	L'interrupteur principal ON/OFF est en position OFF.	Déplacez l'interrupteur sur la position ON.
	L'interrupteur thermique du moteur électrique s'est déclenché en raison d'une surchauffe.	Mettez l'interrupteur principal ON/OFF en position OFF. Laissez l'appareil refroidir pendant 30 minutes.
	Le nettoyeur haute pression est connecté à une prise/fiche partagée par d'autres appareils du circuit.	Retirez tous les autres appareils du circuit.
Le nettoyeur haute pression est connecté à un circuit à l'aide d'une rallonge.	Retirez la rallonge. Branchez le cordon d'alimentation du nettoyeur haute pression directement dans une prise de 120 volts, 15 ampères. Voir SOURCE DE COURANT, page 5.	
Le nettoyeur haute pression crée une pression de pulvérisation d'eau faible ou nulle.	Il y a de l'air dans les tuyaux et/ou la pompe.	Reportez-vous à la section AMORÇAGE DE LA POMPE de ce manuel pour éliminer l'air de la pompe et des flexibles.
	L'approvisionnement en eau est insuffisant.	Assurez-vous que la pression d'alimentation en eau est d'au moins 5 gpm @ 20 PSI.
	La buse est bouchée.	Nettoyez la buse conformément à la section ENTRETIEN de ce manuel.
	Le tamis d'arrivée d'eau est obstrué.	Nettoyer l'eau filtre d'admission selon la section ENTRETIEN de ce manuel.

PROBLÈME	CAUSE POSSIBLE	SOLUTION
Le détergent ne se mélange pas avec le spray.	Le tube transparent est obstrué ou fissuré.	Nettoyer ou remplacer le tube transparent.
	Le tube transparent n'est pas fixé à la pompe.	Fixer le tube transparent au connecteur de détergent sur la pompe.
	Mauvaise buse utilisée.	Installer la buse de savon noir sur la baguette.
	Détergent trop épais.	Ajouter de l'eau au détergent pour lui donner la consistance de l'eau.

ENTRETIEN

Pour des raisons de sécurité, le fabricant recommande que tous les entretiens et réparations du laveur sous pression soient effectués par un centre de service agréé. Tous les remplacements ou réparations sous garantie doivent être effectués par un centre de distribution ou de service agréé. Pour trouver un centre de service autorisé près de chez vous, faire une demande de garantie ou obtenir une réparation sous garantie autorisée, appelez le 1 877 362-4271 ou envoyez un courriel à cservice@fna-group.com.

Il est de la responsabilité du propriétaire et/ou de l'utilisateur de faire effectuer tous les entretiens prévus avant d'utiliser le laveur sous pression. Veuillez à suivre les recommandations d'inspection et d'entretien figurant dans tous les guides fournis avec cet appareil.

Entretien

Avant chaque utilisation, vérifiez que le laveur sous pression ne présente pas de fuites, de pièces lâches ou endommagées, et toute autre anomalie qui pourrait nuire à son bon fonctionnement. Assurez-vous que toutes les protections de sécurité sont en place et en bon état de fonctionnement. Inspectez tous les événements d'air et les fentes de refroidissement pour vous assurer qu'ils sont propres et non obstrués. Réparez ou remplacez immédiatement toutes les pièces endommagées ou défectueuses. Pour des raisons de sécurité, le fabricant recommande que tous les entretiens et réparations du laveur sous pression soient effectués par un centre de service agréé. N'essayez jamais de réparer un tuyau haute pression.

Nettoyage du laveur sous pression

Nettoyez toujours le laveur sous pression lorsque le moteur est arrêté et froid. Pour nettoyer le laveur sous pression, utilisez d'abord un compresseur d'air réglé à 25 PSI maximum pour enlever la saleté et les débris des surfaces, des événements et des fentes de refroidissement du laveur sous pression. Ensuite, nettoyez l'extérieur avec un chiffon humide.



AVIS

NETTOYAGE

L'eau peut endommager les composants du moteur du laveur sous pression si elle pénètre par les fentes de refroidissement ou d'autres orifices. Les dommages causés par la pénétration d'eau ne sont pas couverts par la garantie. Pour éviter les dommages causés par l'eau, n'utilisez pas un laveur sous pression, un boyau de jardin ou toute autre source d'eau courante pour nettoyer le moteur du laveur sous pression et ne l'immergez jamais dans un liquide quelconque.



AVIS

PRODUITS DE NETTOYAGE CHIMIQUES

L'utilisation de produits de nettoyage chimique et/ou de liquides corrosifs peut endommager les joints du laveur sous pression et ses composants internes. Les dommages causés par les nettoyants chimiques et les liquides corrosifs ne sont pas couverts par la garantie. Pour éviter ces risques, n'utilisez que des produits de nettoyage, jamais d'eau de Javel et faites toujours passer de l'eau propre dans le laveur sous pression après avoir utilisé des produits chimiques de nettoyage.

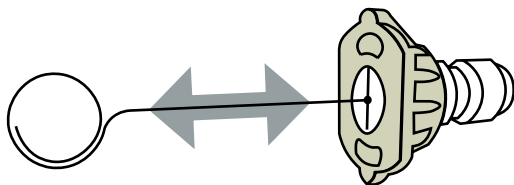
Raccords

Les raccords du tuyau, du pistolet et de la pompe doivent être nettoyés et lubrifiés régulièrement avec une fine pellicule de graisse au lithium pour éviter d'endommager les joints toriques et de provoquer des fuites.

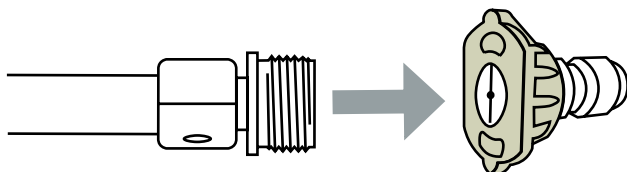
Nettoyage des buses

Si une buse est obstruée, la pompe peut émettre des pulsations et la forme du jet peut changer. Si la buse n'est pas nettoyée, une pression excessive peut se développer et endommager la pompe ou d'autres accessoires. Inspectez les buses avant de les utiliser et suivez les instructions de cette section pour la procédure appropriée de nettoyage des buses.

1. Arrêtez le laveur sous pression.
2. Coupez l'alimentation en eau.
3. Orientez le pistolet de pulvérisation dans une direction sécuritaire et appuyez sur la gâchette pour relâcher la pression de l'eau.
4. Réglez le verrou de la gâchette.
5. Retirez la buse du raccord rapide de la lance.
6. Dégagez toute obstruction de la buse en insérant l'outil de nettoyage de la buse fourni.



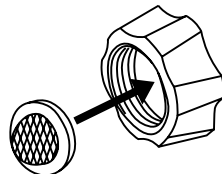
7. Rincez tous les débris détachés de la buse en orientant un tuyau d'arrosage en marche vers la sortie de la buse pendant au moins 30 secondes.



Filtere d'entrée d'eau

Avant chaque utilisation, vérifiez le filtre d'entrée et nettoyez-le en suivant les étapes ci-dessous. N'utilisez jamais le laveur sous pression si le filtre d'entrée n'est pas correctement installé.

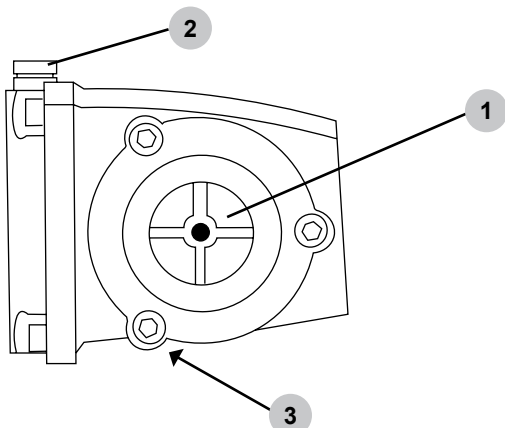
1. Retirez le filtre du coupleur du tuyau d'arrosage.
2. Utilisez l'eau d'un tuyau d'arrosage en marche pour nettoyer les deux côtés du filtre.
2. Insérez le filtre nettoyé dans l'entrée de la pompe avec le côté convexe vers l'extérieur.



Entretien de la pompe

Remarque : La pompe a été remplie d'huile en usine. L'huile préférée est l'huile de carter de pompe SIMPSON® Premium. Si cette huile n'est pas disponible, une huile SAE 15W-40 peut être utilisée. Vidangez l'huile après les 50 premières heures de fonctionnement et toutes les 100 heures par la suite ou tous les 3 mois.

1. Voyant d'huile
2. Bouchon de remplissage d'huile / bouchon d'aération
3. Bouchon de vidange d'huile (non illustré)



Comment vidanger l'huile de la pompe

1. Desserrez le bouchon de remplissage d'huile de la pompe / le capuchon d'aération.
2. Placez un conteneur sous le bouchon de vidange d'huile.
3. Retirez le bouchon de vidange d'huile.
4. Une fois l'huile vidangée, insérez le bouchon de vidange d'huile et serrez-le fermement.
5. Pour les pompes AAA™, remplissez avec l'huile de carter de pompe SIMPSON® Premium. Si cette huile n'est pas disponible, une huile SAE 15W-40 peut être utilisée. Pour les pompes CAT Pumps®***, remplissez avec une huile hydraulique non détergente (ISO68).
6. Assurez-vous que le niveau d'huile atteint mais ne dépasse pas le point situé au centre du voyant.
7. Insérez le bouchon de remplissage d'huile et serrez-le fermement.

*** Les pompes CAT Pumps® sont une marque déposée de Diversified Dynamics Corporation.

RANGEMENT DU NETTOYEUR HAUTE PRESSION

1. Débrancher le flexible haute pression de la pompe et du pistolet.
2. Tenez le pistolet dans un plan vertical et appuyez sur la gâchette pour éliminer l'eau emprisonnée.
3. Retirez l'eau emprisonnée du tuyau haute pression ; bobine pour le stockage.
4. Protégez la pompe en utilisant SIMPSON® Pump Guard conformément à la section UTILISATION DE LA PROTECTION DE POMPE de ce manuel.
5. Rangez le nettoyeur haute pression et ses accessoires dans un endroit frais et sec, à l'abri de la lumière directe du soleil.

UTILISATION DE LA PROTECTION DE POMPE SIMPSON®



AVIS

DOMMAGES DE LA POMPE

Laisser de l'eau à l'intérieur de la pompe par temps de gel causera des dommages divisibles à la pompe. Pour éviter des dommages coûteux, traitez toujours la pompe avec la protection de pompe SIMPSON® afin d'éliminer l'eau piégée et de remplir la pompe d'une solution lubrifiante et antigel.

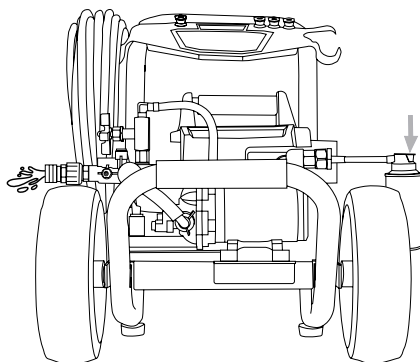
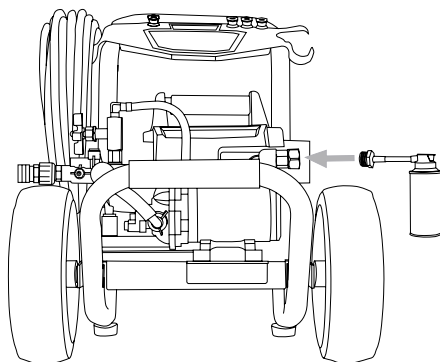
La protection de pompe SIMPSON® (vendue séparément) est formulée pour protéger votre pompe pendant l'entreposage à long terme et contre les dommages causés par le gel. La protection de pompe doit être utilisée tout au long de la saison pour que les joints restent souples et bien lubrifiés. Avant d'entreposer l'appareil pour l'hiver ou lorsqu'il y a un risque de gel, utilisez la protection de pompe pour éliminer toute trace d'eau des cavités internes tout en les remplissant d'une solution antigel. La protection de pompe est une assurance pour votre investissement, utilisez-la.

Utilisez simplement la protection de pompe en suivant les étapes suivantes :

1. Tourner complètement la vanne de dosage dans le sens antihoraire.

2. Visser l'adaptateur Pump Guard dans l'entrée du tuyau d'arrosage sur le cadre du brumisateur.

3. Appuyez sur le bouton et maintenez-le enfoncé jusqu'à ce que toute l'eau et le Pump Guard commencent à sortir du port haute pression.



4. Dévisser le protège-pompe, puis préparez le nettoyeur haute pression pour le stockage comme indiqué dans RANGEMENT DU NETTOYEUR HAUTE PRESSION.

GARANTIE COMMERCIALE LIMITÉE

CONDITIONS DE LA COUVERTURE DE GARANTIE :

Le fabricant de ce produit accepte de réparer ou de remplacer les pièces désignées qui s'avèrent défectueuses pendant la période de garantie indiquée ci-dessous, à sa seule discrétion. Des limitations/extensions et exclusions particulières s'appliquent.

Cette garantie couvre le défaut de pièces et main d'œuvre mais exclut les pièces défectueuses en raison de l'usure normale, de la détérioration, de la mauvaise utilisation, de dommages accidentels, de négligence, utilisation incorrecte, entretien, qualité de l'eau ou de l'entreposage. Pour faire une réclamation selon les conditions de garantie, toutes les pièces supposées défectueuses doivent être conservées et disponibles pour retour sur demande à un centre de service sous garantie pour inspection. Les évaluations et décisions du fabricant concernant la validité des réclamations sous garanties sont définitives.

Ces garanties sont transmises à l'utilisateur final et ne sont pas transférables. En qualité de centre de service sous garantie agréé formé par le fabricant, ce dernier honorerà les termes de garantie de tous les composants et satisfera les réclamations selon les dispositions des garanties appropriées.

Cette garantie remplace toute autre garantie, expresse ou implicite, notamment et sans limitation toutes les garanties de qualité marchande et d'adaptation à un usage particulier et toutes ces garanties sont déclinées par les présentes et exclues par le fabricant. L'obligation de garantie du fabricant est limitée à la réparation et au remplacement des produits défectueux comme exposé aux présentes et le fabricant décline toute responsabilité en cas d'autres pertes, dommages ou dépenses - y compris les dommages de transport, accidentels, dus à de mauvais traitements, catastrophes naturelles, mauvaise utilisation ou négligence. Les dommages suite à réparations utilisant des pièces approvisionnées auprès d'autres sources que le fabricant ou les modifications effectuées par du personnel autre que celui de l'usine sont également exclus. Faute d'installer et d'exploiter l'équipement conformément aux recommandations exposées dans le manuel d'utilisation, la garantie sera annulée.

LA PRÉSENTE GARANTIE NE COUVRE PAS :

Les dommages résultant du transport (les réclamations doivent être déposées auprès du transporteur), d'un accident, d'un abus, d'un cas de force majeure, d'une mauvaise utilisation ou d'une négligence. Cette garantie ne couvre pas non plus les dommages résultant de réparations ou modifications effectuées par du personnel autre que celui autorisé par l'usine ou le manquement à installer et exploiter l'équipement conformément aux recommandations exposées dans le manuel d'utilisation. Le fabricant décline toute responsabilité vis-à-vis des personnes en cas de dommage consécutif, d'accident corporel ou de perte commerciale.

RESPONSABILITÉ DE L'ACHETEUR D'ORIGINE (UTILISATEUR INITIAL) :

Pour le traitement d'une réclamation sous garantie pour votre laveuse sous pression SIMPSON®, signalez le problème au 1 877 362-4271 ou à cservice@FNA-GROUP.COM pour obtenir l'autorisation et les directives concernant le centre de service le plus proche de votre zone. Conservez le reçu de caisse original comme preuve d'achat pour les travaux sous garantie. Prenez un soin raisonnable pour l'utilisation et l'entretien du produit, comme indiqué dans le(s) guide(s) du propriétaire.

LA GARANTIE NE COUVRE PAS :

- Dommages de transport
- Dommages dus à la détérioration chimique, à l'eau salée, à la rouille ou à la corrosion
- Dommages causés par des pièces ou accessoires obtenus d'une autre source qu'un concessionnaire agréé ou non approuvés par le fabricant
- Usure normale des pièces mobiles ou des composants affectés par les pièces mobiles
- Pièces consommables telles que : filtre à carburant, filtre à air, bougie(s) d'allumage, câble de démarreur manuel, huile et lubrifiant(s)
- Travaux d'entretien périodiques normaux tels que le nettoyage du carburateur et la vidange de l'huile moteur
- Dommages dus au gel

MOTEUR ÉLECTRIQUE (DÉFAUTS DE MATÉRIAUX ET DE FABRICATION) :

UN (1) an à partir de la date d'achat.

POMPE HAUTE PRESSION (DÉFAUTS DE PIÈCES ET MAIN D'ŒUVRE):

CINQ (5) ans à partir de la date d'achat.

CADRE (DÉFAUTS DE PIÈCES ET MAIN D'ŒUVRE):

CINQ (5) ans à partir de la date d'achat.

POMPE AUTO-AMORÇANTE (DÉFAUTS DE MATÉRIAUX ET DE FABRICATION) :

QUATRE (4) ans à compter de la date d'achat - consultez la documentation du fabricant de la pompe pour plus d'informations sur la garantie.

ACCESSOIRES (DÉFAUTS DE PIÈCES ET MAIN D'ŒUVRE):

Y compris les buses, les tuyaux, les pistolets de pulvérisation, les lances, les pneus et les pattes
Quatre-vingt-dix (90) jours à partir de la date d'achat.

REMARQUES

CETTE PAGE A ÉTÉ INTENTIONNELLEMENT LAISSÉE BLANCHE



LIRE ATTENTIVEMENT CE GUIDE AVANT L'UTILISATION

Le fait de ne pas suivre les instructions et les précautions de sécurité de ce guide peut entraîner des dommages matériels, des blessures graves et/ou la mort.

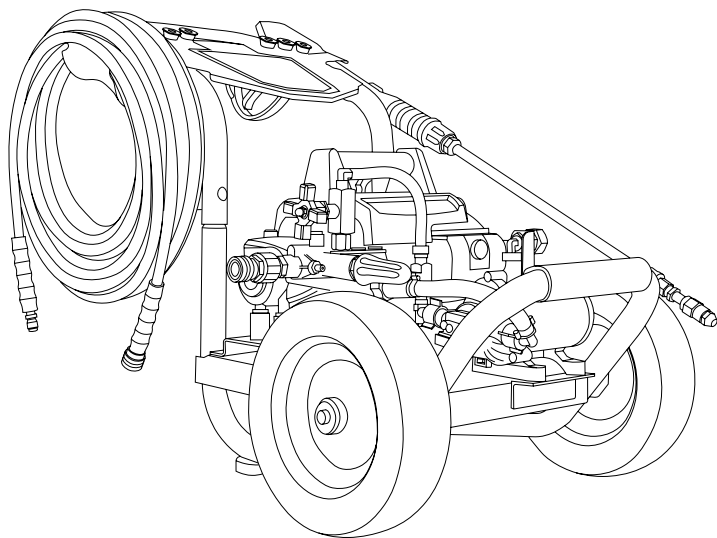
CONSERVEZ CE GUIDE POUR RÉFÉRENCE ULTÉRIEURE



LAVADORA A PRESIÓN

MANUAL DE USO Y CUIDADO

Para 61102



LEA ESTE MANUAL DETENIDAMENTE ANTES DE LA OPERACIÓN

El incumplimiento de las instrucciones y precauciones de seguridad de este manual puede provocar daños a la propiedad, lesiones graves y/o la muerte.

Si su lavadora a presión no funciona o si faltan partes o están rotas, NO LA DEVUELVA AL LUGAR DE COMPRA. Comuníquese con nuestro Departamento de Servicio al Cliente llamando al 1-877-362-4271 o enviando un correo electrónico a cservice@fna-group.com

CONSERVE ESTE MANUAL PARA FUTURA REFERENCIA

NOTA: Las fotografías y los dibujos lineales utilizados en este manual son sólo para referencia y pueden no representar su modelo específico.

NOTAS

ESTA PÁGINA SE DEJÓ EN BLANCO INTENCIONALMENTE

CONSERVE ESTE MANUAL PARA USO FUTURO

Conserve este manual para referencia futura. Este manual debe considerarse una parte permanente del producto y permanecer con él. Este manual debe estar disponible para cualquier persona que opere los productos que cubre. Este manual debe permanecer con el (los) producto(s) que cubre si se vende a un nuevo propietario. Si el manual se daña, se pierde o se vuelve inutilizable, puede descargar una nueva copia de las páginas del producto en www.simpsoncleaning.com o comunicarse con el servicio de atención al cliente llamando al 1-877-362-4271.

Anote el número de modelo, el número de serie y la fecha de compra de este producto en los espacios proporcionados a continuación y luego guarde este manual con los recibos de compra para referencia futura.

Número de
modelo: _____

Número de
serie: _____

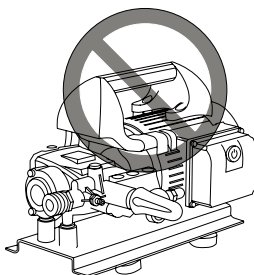
Fecha de
compra: _____



PRECAUCION:

SEGURIDAD DEL OPERADOR

Levantar la lavadora a presión por el asa del motor puede provocar daños en la máquina y posibles lesiones. Para evitar dañar la hidrolavadora, asegúrese de levantar la hidrolavadora sujetándola únicamente por el marco de metal.



RENUNCIAS DE RESPONSABILIDAD

- Toda la información de esta publicación se basó en la información de producto más reciente disponible en el momento de la impresión. FNA Group se reserva el derecho de actualizar, cambiar y/ mejorar el producto y este documento en cualquier momento, sin previo aviso y sin incurrir en ninguna obligación.
- Este manual puede cubrir más de una máquina. Las imágenes y figuras del manual deben usarse sólo como referencia. Puede haber diferencias entre su producto y las imágenes, dibujos y diagramas de este manual.

TABLA DE CONTENIDO

RENUNCIAS DE RESPONSABILIDAD	1
INSTRUCCIONES DE SEGURIDAD	4
Lea este manual antes de la operación	4
Instrucciones adicionales	4
Símbolos de alerta de peligro	4
EQUIPO DE PROTECCIÓN PERSONAL	7
DESEMPAQUE	8
ENSAMBLE	8
Instalación de manija estilo perilla	8
Adición de tapa de respirador de bomba	8
Ensamble la pistola rociadora	9
Organización de accesorios	9
UBICACIÓN DE COMPONENTE	10
LISTA DE VERIFICACIÓN DE OPERACIÓN	12
Ubicación	12
Condiciones de operación	12
OPERACIÓN DE NEBULIZACIÓN	14
Mangueras de conexión	14
Ajuste de la Válvula Dosificadora	15
Arranque de la Máquina de Niebla	15
Aplicación de niebla	16
Apagado Y Limpieza de la Máquina de Mist	18
FUNCIONAMIENTO DE LA LAVADORA DE ALTA PRESIÓN	20
Mangueras de conexión	20
Ajuste de la Válvula Dosificadora	21
Purgar el aire de la bomba	21
Selección de boquilla	22
Instalación de boquillas	23
Encendido de la Lavadora A Presión	23
Apagado de la Lavadora A Presión	25

USO DE QUÍMICOS	26
CONSEJOS DE OPERACIÓN	27
Términos	27
Preparación	27
Lavado a presión	27
Ajuste de presión	28
SOLUCIÓN DE PROBLEMAS	29
MANTENIMIENTO	31
Mantenimiento	31
Limpieza de lavadora a presión	31
Conexiones	32
Limpieza de boquillas	32
Filtro de entrada de agua	33
Mantenimiento de la bomba	33
ALMACENAMIENTO DE LA LAVADORA A PRESIÓN	34
USO DE PUMP GUARD SIMPSON®	35
GARANTÍA	36

INSTRUCCIONES DE SEGURIDAD



LEA ESTE MANUAL ANTES DE LA OPERACIÓN

Este manual contiene información e instrucciones de seguridad importantes. **No** opere este producto hasta que haya leído y entendido completamente todas las instrucciones de seguridad, operación y mantenimiento enumeradas en este manual. El incumplimiento de la información contenida en este manual resultará en daños a la propiedad, lesiones y/o muerte.

NOTA: Las advertencias y precauciones discutidas en este manual no pueden cubrir todas las condiciones y situaciones que puedan ocurrir. El operador debe comprender que la conciencia y la precaución son factores que no se pueden incorporar a este producto y, por lo tanto, deben ser ejercidos por el operador.



INSTRUCCIONES ADICIONALES

Junto con este manual, asegúrese de leer las instrucciones adicionales proporcionadas tanto en el producto como en el mismo, el equipo adjunto, los accesorios y el motor que alimenta el producto. Preste especial atención a todas las reglas e instrucciones de seguridad adicionales sobre los procedimientos adecuados de arranque, operación y apagado. Utilice siempre cualquier vestimenta protectora recomendada que pueda ser necesaria para operar el equipo de manera segura.



SÍMBOLOS DE ALERTA DE PELIGRO

Asegúrese de comprender los símbolos de seguridad y las definiciones que se enumeran a continuación. Cada símbolo contiene una de cuatro palabras: **PELIGRO**, **ADVERTENCIA**, **PRECAUCIÓN**, **AVISO**, que indican diferentes niveles de severidad de peligro. Estos símbolos se utilizan a lo largo de este manual y se sigue la información sobre un peligro específico, las consecuencias del peligro y las instrucciones sobre cómo evitarlo. El no prestar atención a estos símbolos y seguir las instrucciones proporcionadas con ellos resultará en daños a la propiedad, lesiones y/o la muerte.



Indica una situación de peligro inminente que, si no se evita, provocará daños a la propiedad, lesiones graves y/o la muerte.



Indica una situación potencialmente peligrosa que, si no se evita, podría provocar daños a la propiedad, lesiones graves y/o la muerte.



Indica una situación peligrosa que, si no se evita, podría provocar daños a la propiedad y/o lesiones menores a moderadas.



Indica información que se considera importante pero no está relacionada directamente con un peligro.

CAUTION



TRIPPING HAZARD

Hoses may pose a tripping hazard that can cause injuries resulting from a fall



PRECAUCION:

PELIGROS DE RESBALÓN / TROPIEZO

Cuando se lave a presión en áreas públicas, se deben colocar letreros que indiquen mantenerse alejado del área mientras se realiza el lavado a alta presión. Además, se deben colocar letreros que indiquen que la superficie puede estar resbaladiza y que puede haber riesgos de tropezos.

Se debe prestar especial atención a la seguridad no solo del operador de la lavadora a presión, sino también de las personas que puedan estar junto al área que se está limpiando. La mejor manera de advertir a las personas desprevenidas es con señalización y barreras.

Las barreras pueden ser tan simples como conos de tráfico de plástico o barricadas para usar cinturones de barrera alrededor del área que se está limpiando. Recuerde, el lavado a presión puede desalojar el pavimento débil o roto convirtiéndolo en proyectiles que pueden lesionar a otros. Mantener a las personas alejadas del área es la mejor manera de evitar lesiones.

El pavimento mojado puede ser resbaladizo para las personas desprevenidas y causar lesiones por resbalones y caídas. Las mangueras de alta y baja presión pueden representar un riesgo de tropiezo. Segregar el área y colocar la señalización adecuada puede reducir las lesiones.

Ejemplos de signos



Ejemplos de barreras





! ADVERTENCIA: SEGURIDAD DEL OPERADOR

No leer y seguir el manual del operador y todas sus instrucciones antes de usar el producto podría provocar la MUERTE o LESIONES GRAVES. Lea atentamente este manual y conviértase en un fracaso con su hidrolavadora eléctrica. Conozca sus aplicaciones, sus limitaciones y los peligros involucrados.



! PELIGRO: PELIGRO DE ELECTROCUCIÓN

La conexión incorrecta del conductor de puesta a tierra del equipo puede resultar en riesgo de electrocución. Consulte con un electricista calificado si tiene dudas sobre si el receptáculo está correctamente conectado a tierra. NO modifique el enchufe proporcionado con este producto. Si no encaja en el receptáculo, haga que un electricista calificado instale un receptáculo adecuado. NO utilice ningún tipo de adaptador con este producto.



! PRECAUCION: FUENTE DE ALIMENTACIÓN

Esta lavadora a presión solo debe usarse con un receptáculo/enchufe dedicado de 120 V CA, 60 Hz a 15 o 20 amperios. Cualquier otro electrodoméstico en el circuito debe apagarse o desenchufarse cuando se usa la lavadora a presión. Nunca use la lavadora a presión con un adaptador que pueda generar un voltaje más alto o una corriente excesiva. Una corriente excesiva puede disparar el disyuntor. Consulte a un electricista calificado si no está seguro de la capacidad del receptáculo de suministro de energía deseado para alimentar de manera segura esta lavadora a presión.

NO SE RECOMIENDA UTILIZAR UN CORDÓN DE EXTENSIÓN. Sin embargo, si se requiere un cable de extensión, debe ser un **CABLE DE 3 CONECTORES CLASIFICADO PARA EXTERIORES**, que no tenga más de 50 pies (15m) de largo y tenga un mínimo de 14 AWG (2,5 mm²) de conductores. Siempre desenrolle el cable de extensión cuando esté en uso. **NO** use un cable de extensión que tenga la clavija de conexión a tierra dañada o faltante.

AVISO

Este aparato no está diseñado para ser utilizado por personas (incluyendo niños) con capacidades físicas, sensoriales o mentales reducidas, o falta de experiencia y conocimiento, a menos que hayan recibido supervisión o instrucciones sobre el uso del aparato por parte de una persona responsable de su seguridad.

Los niños deben ser supervisados para asegurarse que no jueguen con el aparato.

Protección de interruptor de circuito de falla a tierra

Esta lavadora a presión viene con un interruptor de circuito de falla a tierra (GFCI) integrado en el enchufe del cable de alimentación. Este dispositivo proporciona protección adicional contra el riesgo de descarga eléctrica.

En caso de que sea necesario reemplazar el enchufe o el cable, use solo piezas de repuesto idénticas que incluyan protección GFCI.

Instrucciones de puesta a tierra

Esta lavadora a presión debe estar conectada a tierra. Si funciona mal o se avería, la conexión a tierra proporciona una ruta de menor resistencia para la corriente eléctrica para reducir el riesgo de descarga eléctrica. Este producto está equipado con un cable que contiene un conductor de puesta a tierra del equipo y un enchufe de puesta a tierra. El enchufe debe estar conectado a un receptáculo apropiado que esté correctamente instalado y conectado a tierra de acuerdo con todos los códigos y ordenanzas locales.

Sobrecarga térmica del motor

El motor eléctrico de esta lavadora a presión está equipado con un dispositivo de protección contra sobrecarga térmica. Este dispositivo apagará automáticamente el motor si se sobrecalienta o consume demasiada corriente. Si se dispara la protección de sobrecarga, desconecte la alimentación girando el interruptor principal de ENCENDIDO/APAGADO a la posición de APAGADO (0). Deje que la unidad se enfríe durante treinta (30) minutos. Después de que la unidad se haya enfriado, gire el interruptor principal de ENCENDIDO/APAGADO a la posición de ENCENDIDO (I) para reanudar la operación.

Válvula de alivio térmico

Cuando la temperatura dentro de la bomba sube a un valor predeterminado, esta válvula se abrirá permitiendo que salga el agua caliente y entre agua fría, enfriando la bomba. El valor se cerrará.

EQUIPO DE PROTECCIÓN PERSONAL(EPP)

Es importante comprender qué equipo de protección personal (EPP) se debe utilizar al usar su lavadora a presión. A continuación se muestra una lista de artículos de EPP que deben utilizarse en todo momento cuando se usa la lavadora a presión.

Audición - Tapones para los oídos u orejeras para proteger su audición.

Visión - Anteojos o gafas de seguridad para proteger sus ojos.

Ropa - Pantalones largos para proteger las piernas de los escombros que son arrojados.

Zapatos - Zapatos que cubran completamente sus pies para protegerlos contra los escombros y el rocío.

DESEMPAQUE

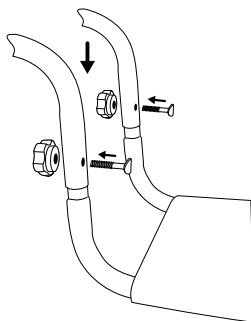
Siga los pasos descritos en esta sección para desempacar y ensamblar su lavadora a presión. Si tiene alguna pregunta sobre el desempaque o el ensamble de su lavadora a presión, tenga a mano su número de modelo y número de serie, y comuníquese con atención al cliente al 1-877-362-4271 o envíe un correo electrónico a cservice@fna-group.com.

1. Coloque el cartón de envío sobre una superficie sólida y plana.
2. Corte con cuidado la parte superior de la caja para abrirla.
3. Corte con cuidado cada esquina de la caja de arriba a abajo.
4. Coloque cada lado de la caja de cartón en el suelo.
5. Retire el contenido del cartón.

ENSAMBLE

Instalación de manija estilo perilla

Deslice la manija en el marco y entonces asegúrela con las perillas y pernos incluidos.

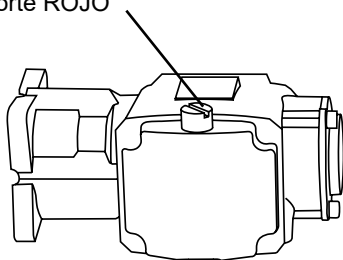


Adición de tapa de respirador de bomba (si aplica)

Hay un tapón de transporte ROJO en la bomba que debe reemplazarse con una tapa de ventilación NEGRA. El tapón es fácil de reemplazar con los siguientes pasos:

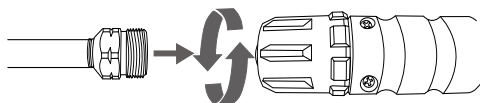
1. Con un destornillador plano, quite el tapón ROJO de transporte de la parte superior de la bomba.
2. Enrosque a mano la tapa NEGRA del respiradero en la bomba.
3. Apriete la tapa con los dedos.

Tapón de transporte ROJO



Tapón de respirador NEGRO

Ensamble la pistola rociadora

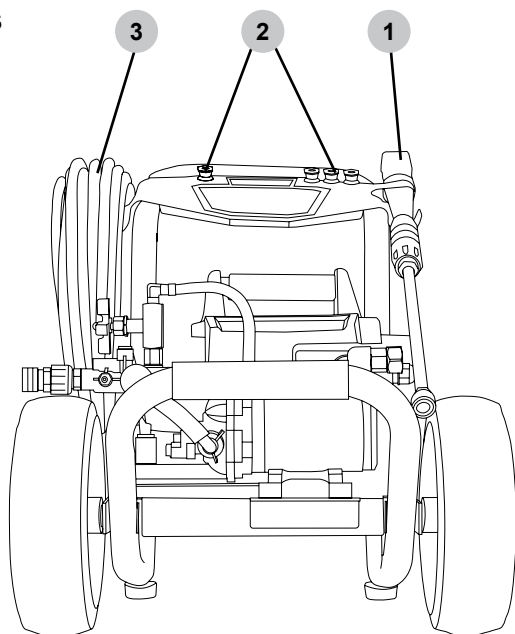


1. Asegure la lanza a la pistola girando cuidadosamente el acoplador sobre la pistola rociadora hasta que el acoplador deje de girar. No apriete en exceso. La mayoría de las roscas en la lanza no serán visibles si la lanza y la pistola se ensamblan adecuadamente. Tenga cuidado de no trasroscar la pistola y la lanza.

¡ADVERTENCIA! Las roscas del acoplador de la lanza y la pistola se pueden trasroscar fácilmente, lo que resulta en un montaje inadecuado. Un montaje incorrecto de la pistola y la lanza puede provocar lesiones personales. No lo use si las roscas del acoplador de la pistola y/o la lanza están trasroscadas.

Organización de accesorios

1. Coloque la pistola rociadora y el ensamble de lanza en el soporte del tablero.
2. Empuje las boquillas en los pasacables de hule en el tablero. Nota: la etiqueta del tablero indica la ubicación correcta de las boquillas.
3. Cuelgue la manguera de alta presión en el soporte.

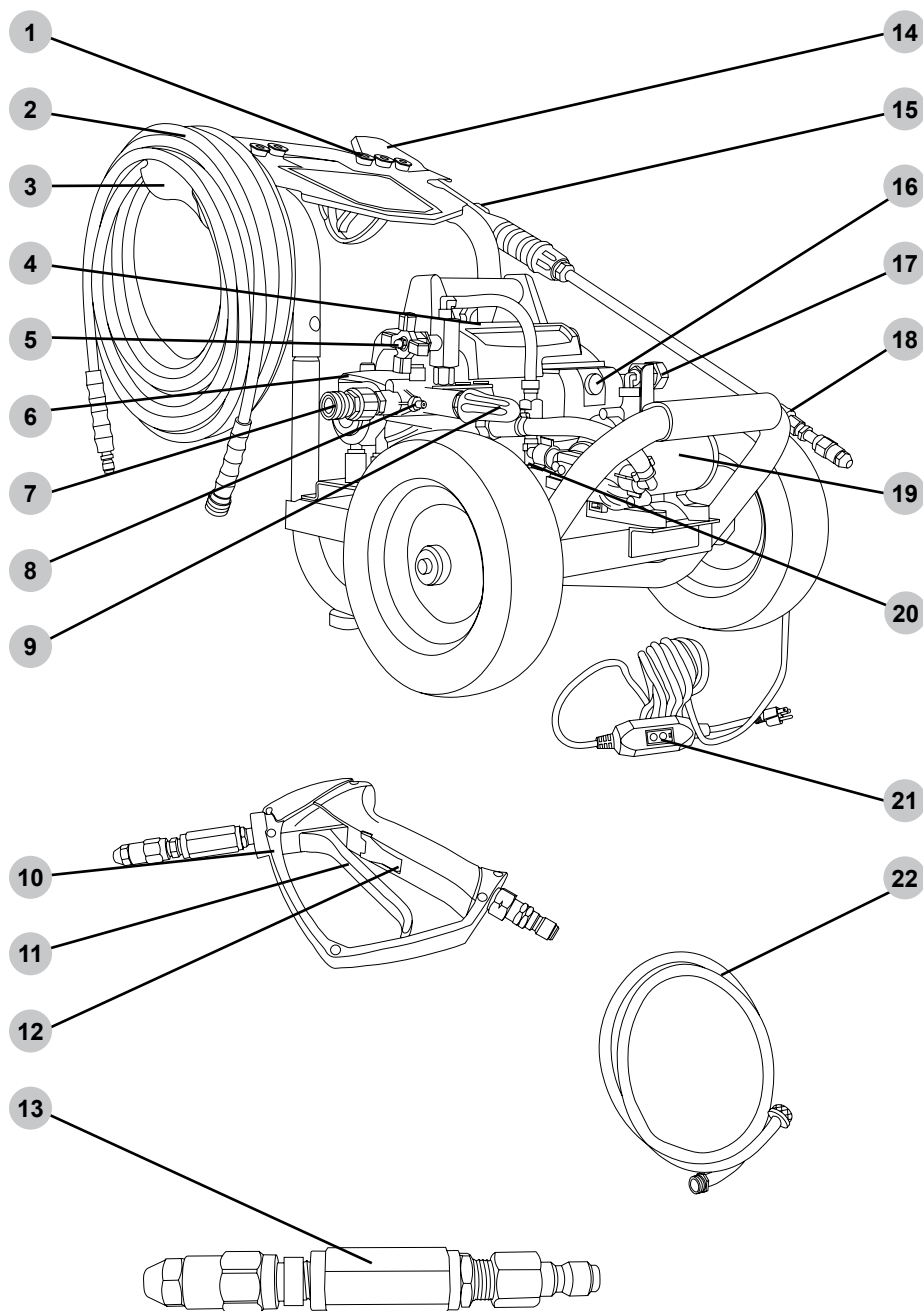


ADVERTENCIA:

LISTA DE VERIFICACIÓN DE OPERACIÓN

Intentar arrancar el motor incorrectamente o usar la lavadora a presión incorrectamente puede resultar en daño al motor y/o lavadora a presión, y puede causar lesiones serias o la muerte. Para evitar estos peligros, asegúrese de leer, comprender y seguir los pasos descritos en la sección LISTA DE VERIFICACIÓN DE OPERACIÓN del manual del propietario antes de arrancar el motor, y siga todas las pautas para el uso adecuado de la lavadora a presión.

UBICACIÓN DE COMPONENTE



1. Soportes de boquilla
2. Manguera de alta presión
3. Colgador de manguera
4. Motor eléctrico bomba de alta presión
5. Válvula dosificadora de doble acción
6. Bomba de alta presión
7. Salida de bomba de alta presión
8. Conector de manguera de detergente (jabón)
9. Perilla de control de descargador
10. Pistola de nebulización dedicada
11. Gatillo de pistola nebulizadora
12. Bloqueo del gatillo de la pistola nebulizadora
13. Boquilla de nebulización de control de calidad
14. Pistola pulverizadora de alta presión
15. Soporte de pistola rociadora
16. Interruptor encendido / apagado
17. Acoplador de manguera de jardín y filtro de entrada de agua
18. Conector rápido de varilla de rocío
19. Bomba de suministro autocebante y motor eléctrico
20. Válvula de alivio térmico
21. Cable de alimentación con protección GFCI integrada
22. Manguera de suministro y filtro

LISTA DE VERIFICACIÓN DE OPERACIÓN

Ubicación

NO SE RECOMIENDA UTILIZAR UN CORDÓN DE EXTENSIÓN. Sin embargo, si se requiere un cable de extensión, debe ser un **CABLE DE 3 CONECTORES CLASIFICADO PARA EXTERIORES**, que no tenga más de 50 pies (15m) de largo y tenga un mínimo de 14 AWG (2,5 mm²) de conductores. Siempre desenrolle el cable de extensión cuando esté en uso. **NO** use un cable de extensión que tenga la clavija de conexión a tierra dañada o faltante.

Condiciones de operación

Antes de cada uso, verifique si hay piezas sueltas o dañadas, fugas y/o cualquier otra condición que pueda afectar la operación correcta. Repare o reemplace todas las partes dañadas y/o defectuosas inmediatamente. Mantenga siempre todas las protecciones de seguridad en su lugar y en buen estado de operación. Por razones de seguridad, el fabricante recomienda que todo el mantenimiento y las reparaciones las realice un centro de servicio autorizado.

Antes de arrancar el motor, elimine el exceso de suciedad y escombros de las rejillas de ventilación, el escape y las áreas de retroceso del motor de arranque. Siempre opere la lavadora a presión en una superficie nivelada y nunca mueva ni incline la lavadora a presión mientras está en operación. Use la lavadora a presión sólo para el propósito para el que fue diseñada. Si tiene preguntas sobre el uso adecuado de su lavadora a presión, comuníquese con el servicio de atención al cliente al 1-877-362-4271 o cservice@fna-group.com.



ADVERTENCIA:

OPERACIÓN SIN CAPACITACIÓN

Los adultos y los niños no capacitados pueden sufrir lesiones graves o morir si se les permite operar incorrectamente o jugar con la lavadora a presión en funcionamiento. Para evitar estos peligros, asegúrese que cualquier persona que opere la lavadora a presión reciba instrucciones adecuadas, entienda la operación segura, y haya leído el manual del propietario antes de operar este producto. No permita que niños operen la lavadora a presión sin supervisión de los padres. Mantenga a los niños y mascotas alejados de la lavadora a presión mientras esté en operación. Siempre apague la lavadora a presión antes de abandonar el área.



ADVERTENCIA:

REVISIÓN ANTES DE OPERACIÓN

No revisar este producto antes de su uso podría crear una situación peligrosa que resulte en daños al producto, lesiones graves y/o la muerte. Para evitar estos peligros, revise la lavadora a presión antes de cada uso. Verifique si hay partes sueltas o dañadas, señales de fugas de aceite o combustible, protecciones faltantes, ventilas de enfriamiento obstruidas, o cualquier otra condición que pueda afectar la operación adecuada. Repare o reemplace todas las partes dañadas o defectuosas y mantenga todas las protecciones de seguridad en su lugar y en buenas condiciones de operación antes de usar la lavadora a presión.



ADVERTENCIA:

LESIÓN POR INYECCIÓN

Las altas presiones creadas por una lavadora a presión pueden causar lesiones por inyección de líquido, laceraciones graves, amputaciones y/o la muerte. Para evitar estos peligros, siempre apunte la pistola rociadora y la lanza en una dirección segura cuando use una lavadora a presión y nunca intente tocar una fuga en una manguera o accesorio de alta presión.



ADVERTENCIA:

PARTES MÓVILES

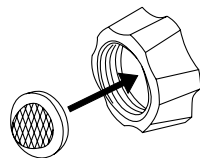
Este producto tiene muchas partes que se mueven a altas velocidades. Las partes móviles pueden causar lesiones por aplastamiento, fracturas, laceraciones severas, y/o amputaciones traumáticas. Para evitar lesiones, nunca coloque los dedos, manos, pies, u otras partes del cuerpo cerca del motor en operación. Nunca opere el productor con las cubiertas, aros de refuerzo u otras protecciones retirados. No use ropa holgada, cordones que cuelguen, o cualquier otro artículo que cuelgue que se pudiera enredar en las partes móviles durante la operación. Ate el cabello largo y quítese las joyas antes de operar.

OPERACIÓN DE NEBULIZACIÓN

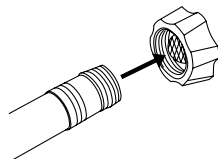
MANGUERAS DE CONEXIÓN

Estas instrucciones son específicas para realizar una operación de nebulización. Si desea utilizar las operaciones de lavado a alta presión, siga las instrucciones que comienzan en la página 20.

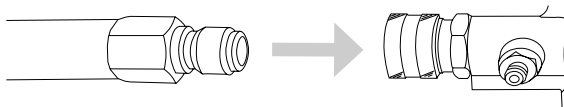
1. Verifique que el filtro de entrada esté libre de suciedad o escombros y que esté en su lugar con el lado convexo hacia afuera.



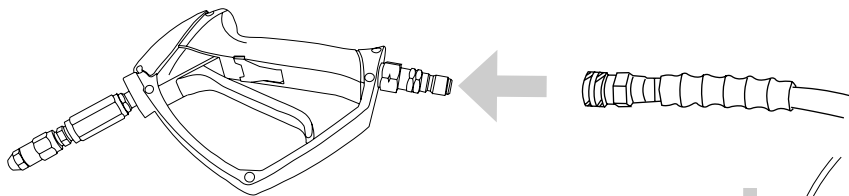
2. Abra el suministro de agua y déjelo correr durante 30 segundos para purgar cualquier residuo de la manguera de suministro. Después, cierre el suministro de agua y enrosque la manguera de suministro de agua en la entrada de la bomba.



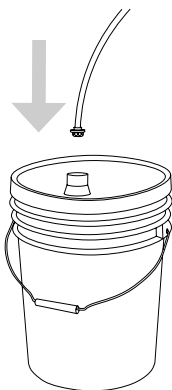
3. Mientras jala hacia atrás del collar de salida de la bomba, inserte el conector de la manguera y después suelte el collar. Jale suavemente la manguera para asegurarse que esté bloqueada.



4. Mientras jala hacia atrás del collar de salida de la manguera, inserte el conector de la pistola y después suelte el collar. Jale suavemente la manguera para asegurarse que esté bloqueada.

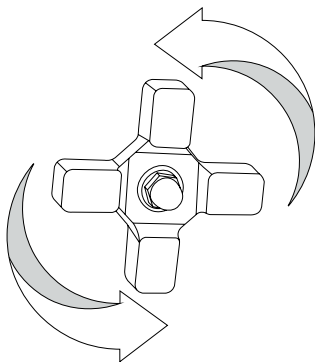


5. Coloque el extremo del filtro de la manguera de suministro en la solución desinfectante. Simpson recomienda Vital Oxide. Siempre consulte la hoja de seguridad de datos de materiales del fabricante para el desinfectante deseado para asegurarse de que sea seguro para la operación de nebulización. **NUNCA UTILICE LEJÍA U OTROS QUÍMICOS CÁUSTICOS.**



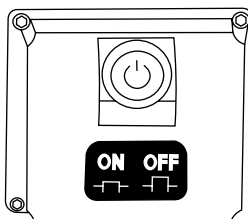
AJUSTE DE LA VÁLVULA DOSIFICADORA

La válvula dosificadora determina el desarrollo de la presión en la bomba. Se requiere una presión más baja para la operación de nebulización. Cuando desee la operación de rociado, gire la perilla de la válvula completamente en sentido antihorario hasta que la perilla se detenga. Una vez que comience la operación de rocío, ajustará la perilla para la densidad de rocío deseada.



ARRANQUE DE LA MÁQUINA DE NIEBLA

1. Asegúrese de que el interruptor principal de ON/OFF esté en la posición de OFF (0).

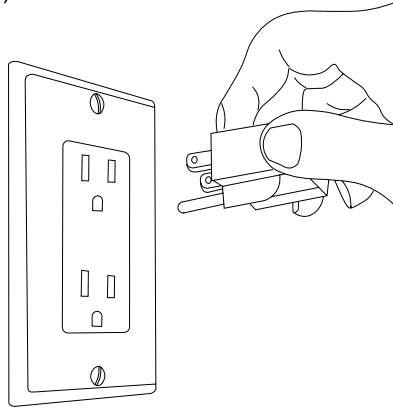


PRECAUCIÓN: FUENTE DE ALIMENTACIÓN

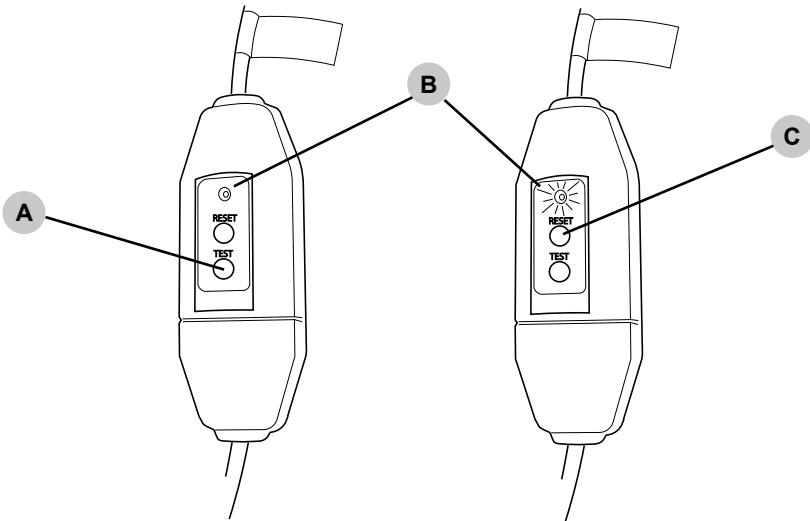
Esta lavadora a presión solo debe usarse con un receptáculo/enchufe dedicado de 120 V CA, 60 Hz a 15 o 20 amperios. Cualquier otro electrodoméstico en el circuito debe apagarse o desenchufarse cuando se usa la lavadora a presión. Nunca use la lavadora a presión con un adaptador que pueda generar un voltaje más alto o una corriente excesiva. Una corriente excesiva puede disparar el disyuntor. Consulte a un electricista calificado si no está seguro de la capacidad del receptáculo de suministro de energía deseado para alimentar de manera segura esta lavadora a presión.

NO SE RECOMIENDA UTILIZAR UN CORDÓN DE EXTENSIÓN. Sin embargo, si se requiere un cable de extensión, debe ser un **CABLE DE 3 CONECTORES CLASIFICADO PARA EXTERIORES**, que no tenga más de 50 pies (15m) de largo y tenga un mínimo de 14 AWG (2,5 mm²) de conductores. Siempre desenrolle el cable de extensión cuando esté en uso. **NO** use un cable de extensión que tenga la clavija de conexión a tierra dañada o faltante.

2. Enchufe el cable de alimentación eléctrica en un receptáculo con conexión a tierra clasificado para 120 voltios CA a 15 o 20 amperios que se haya instalado correctamente de acuerdo con todos los códigos y ordenanzas locales. La luz indicadora del GFCI debe estar iluminada (ENCENDIDA).



3. Pulse el botón TEST (A). La luz indicadora (B) ahora debe estar apagada (APAGADA).



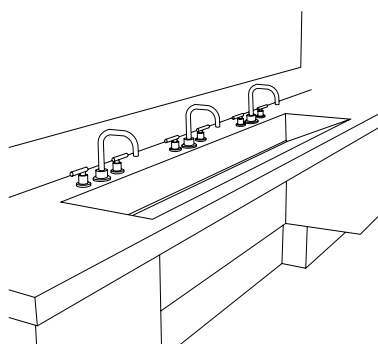
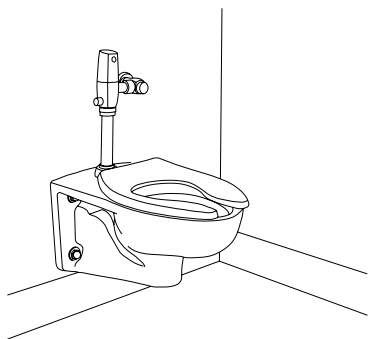
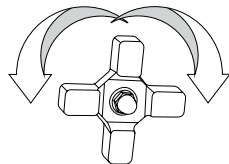
4. Presione el botón RESET (C). La luz indicadora (B) ahora estará iluminada (ENCENDIDA).

AVISO: NO use la lavadora a presión si falla la prueba anterior.

APLICACIÓN DE NIEBLA

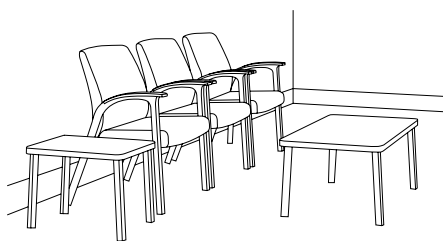
Para el uso del atomizador desinfectante, Simpson recomienda Vital Oxide. Independientemente del fabricante, siga siempre todas las instrucciones y preste atención a todas las advertencias y precauciones. Si tiene dudas sobre la idoneidad de la aplicación, comuníquese con el fabricante del desinfectante para consultarlo. Supervise de cerca el balde de desinfectante. **NO** permita que las bombas funcionen en seco ya que se pueden dañar.

1. Elimine la suciedad, la mugre o la materia orgánica limpiando **la superficie dura y no porosa** antes de comenzar la operación de rociado. Retire los alimentos de la(s) superficie(s).
2. Presione el botón principal de ENCENDIDO/APAGADO en el atomizador a la posición de ENCENDIDO (I).
3. Apunte la pistola nebulizadora a la superficie a desinfectar, abra el seguro del gatillo y apriete el gatillo. Ajuste la perilla de la válvula dosificadora para crear la densidad deseada de niebla.
4. Mueva la pistola rociadora a un ritmo lento y parejo para permitir que el desinfectante cubra la superficie sin dejar áreas sin tratar.
5. Para la inactivación de virus al usar el Vital Oxide recomendado, deje que la superficie permanezca húmeda durante cinco a diez minutos. Deje que la superficie permanezca húmeda durante diez minutos para la desinfección bacteriana. **NOTA:** Consulte las instrucciones del fabricante sobre cuánto tiempo deben permanecer húmedas las superficies.



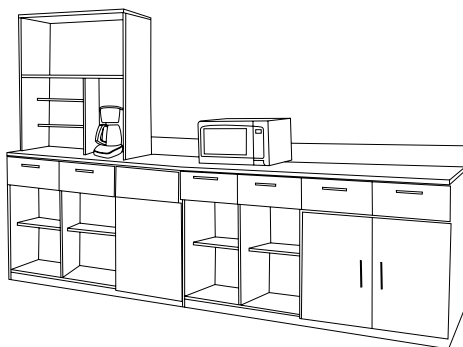
BAÑOS

Retire los artículos de papel de la superficie del fregadero. Evite rociar los rollos de papel higiénico expuestos.



MUEBLES DE OFICINA

Limpie las superficies de papel, escombros y suciedad. No rocíe las telas. Consulte al fabricante del desinfectante para conocer la idoneidad de otros materiales.



COMEDOR

Limpie las superficies de papel, escombros y suciedad. Retire la comida y los utensilios para comer. No devuelva los alimentos hasta que el desinfectante esté completamente seco.

APAGADO Y LIMPIEZA DE LA MÁQUINA DE MIST

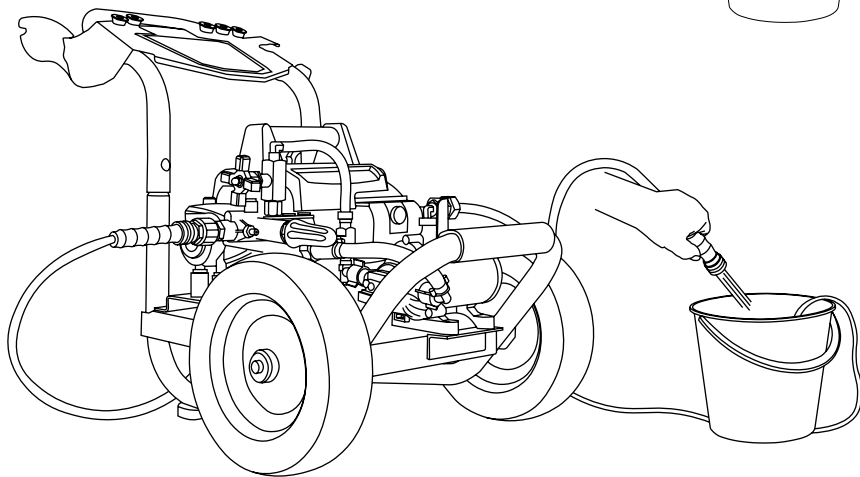
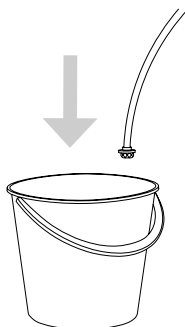


AVISO

DAÑO A LA BOMBA

No retire la manguera de suministro del recipiente de desinfectante ni permita que el recipiente se seque. Se pueden producir daños graves en la bomba debido a la ausencia de solución desinfectante.

1. Presione el botón principal de ON/OFF en el atomizador a la posición de OFF (O).
2. Apunte la pistola nebulizadora hacia un lado y apriete el gatillo para liberar la presión almacenada.
3. Retire la manguera de suministro de la solución desinfectante y colóquela en un cubo o balde que esté lleno hasta las 3/4 partes con agua limpia y fresca.
4. Retire la pistola nebulizadora de la manguera de alta presión tirando hacia atrás del collarín de la manguera.
5. Mientras sostiene el extremo abierto de la manguera de alta presión sobre el cubo de agua nueva, encienda el rociador. Deje que el agua fresca recircule en el balde durante uno o dos minutos.



6. Presione el botón principal de ON/OFF en el atomizador a la posición de OFF (O).
7. Vuelva a conectar la pistola atomizadora a la manguera de alta presión; poner en marcha el motor.
8. Mientras apunta con la pistola atomizadora al balde, apriete el gatillo y deje que el agua limpia enjuague la pistola atomizadora sin desinfectante durante 30 segundos.
9. Presione el botón principal de ON/OFF en el atomizador a la posición de OFF (O).
10. Desenrosque la manguera de suministro del rociador. Escúrralo en el cubo; bobina para almacenamiento.

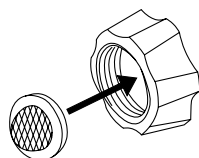
11. Apunte la pistola nebulizadora hacia un lado y apriete el gatillo para liberar la presión almacenada.
12. Desconecte la manguera de alta presión de la pistola atomizadora y la bomba atomizadora.
13. Drene la manguera de alta presión en un fregadero de tina de servicio; enrolle y colóquelo en el colgador de manguera cerca del mango.
14. Deseche el contenido apropiadamente

FUNCIONAMIENTO DE LA LAVADORA DE ALTA PRESIÓN

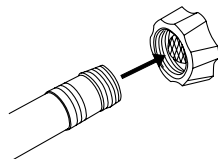
MANGUERAS DE CONEXIÓN

Antes de conectar una manguera de suministro de agua, asegúrese que el suministro de agua sea capaz de proporcionar una fuente ininterrumpida de agua fría y limpia a una velocidad mínima de 5 galones por minuto (GPM) y 20 libras por pulgada cuadrada (PSI) de presión. Una vez que haya asegurado un suministro de agua adecuado, siga las instrucciones a continuación para conectar tanto el suministro de agua como las mangueras de alta presión a la lavadora a presión.

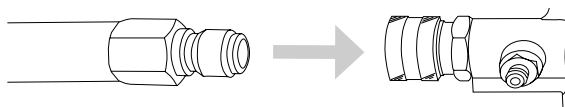
1. Verifique que el filtro de entrada esté libre de suciedad o escombros y que esté en su lugar con el lado convexo hacia afuera.



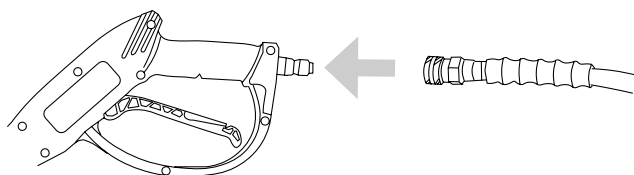
2. Abra el suministro de agua y déjelo correr durante 30 segundos para purgar cualquier residuo de la manguera de suministro. Después, cierre el suministro de agua y enrosque la manguera de suministro de agua en la entrada de la bomba.



3. Mientras jala hacia atrás del collar de salida de la bomba, inserte el conector de la manguera y después suelte el collar. Jale suavemente la manguera para asegurarse que esté bloqueada.

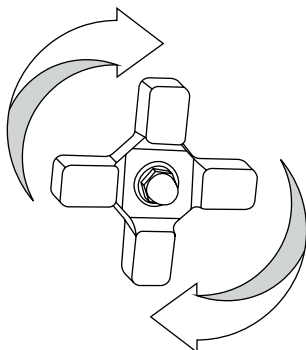


4. Mientras jala hacia atrás del collar de salida de la manguera, inserte el conector de la pistola y después suelte el collar. Jale suavemente la manguera para asegurarse que esté bloqueada.



AJUSTE DE LA VÁLVULA DOSIFICADORA

La válvula dosificadora determina el desarrollo de la presión en la bomba. Para la operación de lavado a alta presión, gire la perilla de la válvula completamente en el sentido de las agujas del reloj hasta que la perilla se detenga.



PURGA DE AIRE DE LA BOMBA



AVISO

PURGA DE BOMBA

Operar una bomba de lavadora a presión sin agua dañará gravemente los sellos de la bomba y otros componentes internos. Para evitar este peligro, asegúrese que el suministro de agua sea ininterrumpido y de por lo menos 5 GPM a 20 PSI y siempre purgue el aire de la bomba de la lavadora a presión antes de arrancar el motor.



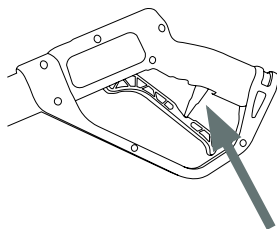
! ADVERTENCIA: LESIÓN POR INYECCIÓN

Las altas presiones creadas por una lavadora a presión pueden causar lesiones por inyección de líquido, laceraciones graves, amputaciones y/o la muerte. Para evitar estos peligros, siempre apunte la pistola rociadora y la lanza en una dirección segura cuando use una lavadora a presión y nunca intente tocar una fuga en una manguera o accesorio de alta presión.

Una bomba de lavado a presión está diseñada para funcionar con agua que fluye a través de ella. El agua lubrica y enfría los componentes internos de la bomba. Operar una bomba de lavadora a presión sin agua dañará gravemente los sellos de la bomba y otros componentes internos. Los daños causados por operar la bomba de la lavadora a presión sin agua no están cubiertos por la garantía. Asegúrese de seguir las instrucciones a continuación para purgar correctamente el aire de la bomba de la lavadora a presión antes de arrancar el motor.






1. Conecte todas las mangueras siguiendo los pasos descritos en la sección CONEXIÓN DE MANGUERAS de este manual y luego abra la fuente de agua fría.
2. Apunte la pistola rociadora en una dirección segura, después apriete y mantenga presionado el gatillo durante por lo menos 30 segundos o hasta que el agua fluya de manera constante y se purgue todo el aire de la bomba y las mangueras.

3. Revise las mangueras y conexiones respecto a fugas. Si se encuentran fugas, apague la máquina, apunte la pistola rociadora en una dirección segura y apriete el gatillo para aliviar cualquier presión acumulada en el sistema. Nunca intente tocar una fuga en una manguera o accesorio de alta presión. Nunca intente reparar una manguera de alta presión.
4. Conecte el seguro del gatillo.



Selección de boquillas

Las boquillas suministradas con la lavadora a presión tienen patrones de rociado específicos diseñados para limpiar diferentes superficies. El uso de una boquilla incorrecta puede dañar las superficies. Consulte la siguiente tabla para seleccionar la boquilla correcta antes de usar la lavadora a presión. **NOTA:** La selección de boquillas incluidas puede variar según los modelos de lavadoras a presión.

Color	5-N-1 (si está equipado)	Patrón de rociado	Usos	Superficies
Rojo		NEBLINA	Aplica limpieza soluciones a través de la niebla	El spray nebulizador es seguro en todas las superficies. Siempre verifique la compatibilidad de solución de limpieza antes de su uso.
Amarillo		15°	Limpieza intensa de superficies sin pintar	Parrillas, entradas para vehículos, pasillos de concreto y ladrillo, bloque y estuco sin pintar
Verde		25°	Boquilla de limpieza estándar para la mayoría de aplicaciones	Herramientas de jardín, aceras, muebles de jardín, revestimientos sin pintar, estuco, canaletas, aleros, superficies de concreto y ladrillo
Blanco		40°	Limpieza de superficies pintadas o delicadas	Automóvil, camión, RV, marino, madera, ladrillo pintado, estuco pintado, vinilo y revestimiento pintado
Negro		Jabón	Aplica soluciones de limpieza	Seguro en todas las superficies. Siempre verifique la compatibilidad de las soluciones de limpieza antes de su uso.



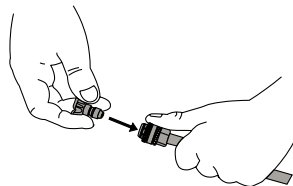
AVISO

DAÑO POR ROCÍO

El rociado de alta presión puede dañar las plantas y otras superficies. Para evitar causar daños, cubra las plantas antes de rociar cerca de ellas, consulte la tabla de Selección de boquillas en este manual para la selección correcta de boquillas y pruebe las superficies antes de rociar para asegurarse que sean lo suficientemente fuertes para resistir el rociado de alta presión.

Instalación de boquillas

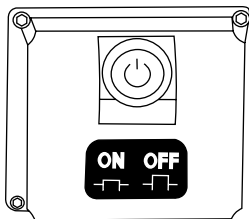
Si el motor está funcionando, asegúrese que el bloqueo del gatillo esté en la posición bloqueada antes de retirar e instalar las boquillas.



Para colocar una boquilla en la varilla de rociado, jale el acoplador de conexión rápida hacia atrás, inserte la boquilla y luego suelte el acoplador para que vuelva a colocarse en su lugar. Una vez instalada, jale la boquilla para asegurarse que quede fija.

ENCENDIDO DE LA LAVADORA A PRESIÓN

1. Conectar las mangueras como se indica en la página 20.
2. Abra el agua y purga el sistema de aire como se indica en la página 21.
3. Inserte la boquilla deseada como se indica en la página 23.
4. Asegúrese de que el interruptor principal de ON/OFF esté en la posición de OFF (0).



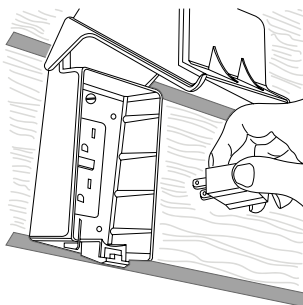
PRECAUCION:

FUENTE DE ALIMENTACIÓN

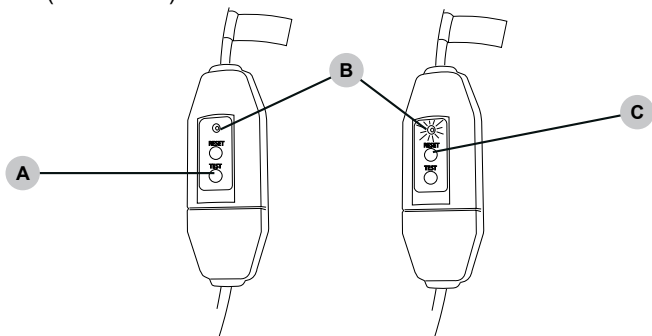
Esta lavadora a presión solo debe usarse con un receptáculo/enchufe dedicado de 120 V CA, 60 Hz a 15 o 20 amperios. Cualquier otro electrodoméstico en el circuito debe apagarse o desenchufarse cuando se usa la lavadora a presión. Nunca use la lavadora a presión con un adaptador que pueda generar un voltaje más alto o una corriente excesiva. Una corriente excesiva puede disparar el disyuntor. Consulte a un electricista calificado si no está seguro de la capacidad del receptáculo de suministro de energía deseado para alimentar de manera segura esta lavadora a presión.

NO SE RECOMIENDA UTILIZAR UN CORDÓN DE EXTENSIÓN. Sin embargo, si se requiere un cable de extensión, debe ser un **CABLE DE 3 CONECTORES CLASIFICADO PARA EXTERIORES**, que no tenga más de 50 pies (15m) de largo y tenga un mínimo de 14 AWG (2,5 mm²) de conductores. Siempre desenrolle el cable de extensión cuando esté en uso. **NO** use un cable de extensión que tenga la clavija de conexión a tierra dañada o faltante.

5. Enchufe el cable de alimentación eléctrica en un receptáculo con conexión a tierra clasificado para 120 voltios CA a 15 o 20 amperios que se haya instalado correctamente de acuerdo con todos los códigos y ordenanzas locales. La luz indicadora del GFCI debe estar iluminada (ENCENDIDA).



6. Pulse el botón TEST (A). La luz indicadora (B) ahora debe estar apagada (APAGADA).



7. Presione el botón RESET (C). La luz indicadora (B) ahora estará iluminada (ENCENDIDA).

AVISO: NO use la lavadora a presión si falla la prueba anterior.

8. Presione el botón principal de ON/OFF en la lavadora a presión a la posición de ENCENDIDO (I).
9. Apunte el arma en una dirección segura, abra el seguro del gatillo y apriete el gatillo. El motor de la hidrolavadora eléctrica arrancará cuando se presione el gatillo de la pistola rociadora y seguirá funcionando incluso cuando se suelte.

APAGADO DE LA LAVADORA A PRESIÓN



AVISO

DAÑO A LA BOMBA

Cerrar el suministro de agua a su bomba con el motor eléctrico en marcha dañará la bomba. Los daños causados por hacer funcionar la bomba sin agua no están cubiertos por la garantía. Para evitar este peligro, apague siempre el motor eléctrico antes de cerrar el suministro de agua.

1. Ajuste el seguro del gatillo en la pistola rociadora.
2. Presione el botón principal de ON/OFF en la lavadora a presión a la posición de OFF (0).
3. Cierre el suministro de agua.
4. Suelta el seguro del gatillo y luego apriete el gatillo de la pistola rociadora para aliviar la presión en la manguera y la bomba.
5. Permita que la lavadora a presión se enfríe por completo antes de manipularla y almacenarla.

USO DE PRODUCTOS QUÍMICOS

(Uso de alta presión solamente)

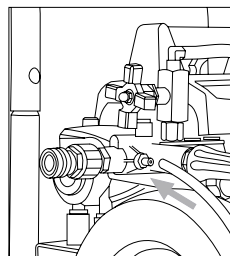


AVISO

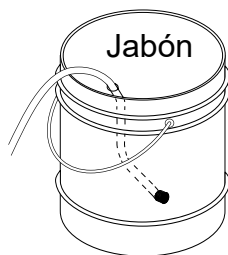
LÍQUIDOS VOLÁTILES

El lavado a presión con líquidos volátiles, inflamables o corrosivos podría causar daños, incendio o explosión en la lavadora a presión y provocar lesiones graves y/o la muerte. Para evitar estos peligros, use únicamente jabones y productos químicos aprobados, no intente lavar a presión con líquidos volátiles, inflamables o corrosivos y NUNCA use blanqueador.

1. Conecte el extremo abierto de la manguera de jabón a la conexión de púas de la bomba.

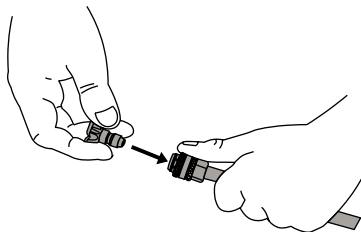


2. Coloque el extremo filtrado de la manguera de jabón en un recipiente con jabón.



3. Si el motor está funcionando, asegúrese que el bloqueo del gatillo esté en la posición bloqueada antes de retirar e instalar las boquillas.

4. Inserte la boquilla negra en la varilla rociadora de acuerdo con la sección Instalación de boquilla de este manual. **NOTA:** Los jabones no se filtrarán si la boquilla de jabón negra no está instalada en la varilla rociadora.



5. Después de usar jabón, coloque el extremo filtrado de la manguera de jabón en un recipiente con agua limpia y opere la lavadora a presión extrayendo agua limpia a través de la manguera y la bomba hasta que el sistema esté completamente enjuagado. Si queda jabón u otros productos químicos en la bomba, la bomba podría dañarse. La garantía no cubre los daños a la bomba por residuos de jabón o químicos.

CONSEJOS DE OPERACIÓN

Términos

- PSI - Libras por pulgada cuadrada (PSI) es la unidad para medir la presión del agua. En relación con una lavadora a presión, cuanto mayor sea el número de PSI, mayor será la presión y el potencia de extracción producidos.
- GPM - Galones por minuto (GPM) es el caudal de agua. En relación a una lavadora a presión, cuanto mayor sea el GPM, mayor será el caudal o potencia de enjuague producida.
- CU - Las unidades de limpieza expresan la eficiencia de la lavadora a presión. Las unidades de limpieza se calculan multiplicando el PSI por el GPM. Cuanto mayor sea la CU, será más eficiente la lavadora a presión.

Preparación

- Lea todas las advertencias e instrucciones en éste y todos los manuales que vienen con la lavadora a presión.
- Retire todos los juguetes, bicicletas, muebles de jardín, etc. del área de trabajo si no se van a limpiar.
- Barra la suciedad suelta y los escombros de la superficie que lavará a presión.
- Cubra las plantas cercanas para evitar dañarlas con el rociador de agua a presión.
- Tenga cuidado al rociar ventanas. Utilice siempre la boquilla blanca de 40° y manténgase por lo menos a 4 pies de distancia.
- Coloque lonas para recoger los pedazos de pintura y otros desechos que se desprendan con el rocío. Las pinturas exteriores usadas antes de 1977 pueden contener plomo y producirán astillas que deberán recolectarse y desecharse en una instalación de desechos peligrosos.

Lavado a presión

- Un rociado más ancho equivale a una limpieza más rápida, mientras que un rociado más apretado equivale a una limpieza más profunda.
- Mantenga la boquilla a unos 4 pies de distancia del revestimiento para evitar daños.
- Comience a lavar el revestimiento en la parte inferior y avance hacia arriba, luego enjuague de arriba hacia abajo.
- Evite que el agua suba detrás del revestimiento.
- Utilice pasadas superpuestas para una limpieza uniforme.
- Trabaje en áreas pequeñas para evitar que el jabón se seque.
- No apunte la boquilla directamente a la superficie. Sostenga la varita en un ángulo de 45° con respecto a la superficie a una distancia que limpie bien sin causar daños.

Ajuste de presión

El ajuste de presión está predeterminado de fábrica para lograr una presión y una limpieza óptimas. Si necesita bajar la presión, se puede lograr mediante los siguientes métodos.

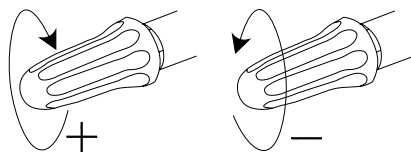
- Aléjese de la superficie a limpiar. Cuanto más lejos coloque la boquilla de la superficie a limpiar, menor será la presión para llegar a la superficie.
- Cambie a la boquilla blanca de 40°. Esta boquilla produce un rociado de menor presión y mayor ancho.

Su unidad puede estar equipada con una función adicional que le permite ajustar la presión.

Para bajar la presión, gire la perilla en sentido contrario a las manecillas del reloj hasta la presión deseada.

Para devolver la presión a la configuración de fábrica, gire la perilla en el sentido de las manecillas del reloj hasta que se detenga.

NOTA: No apriete demasiado la perilla de control de presión. Si se aprieta demasiado, la perilla PODRÍA romperse y provocar una pérdida inmediata de presión y reparaciones costosas que no están cubiertas por la garantía.



SOLUCIÓN DE PROBLEMAS

PROBLEMA	CAUSA POSIBLE	SOLUCIÓN
La lavadora a presión no arranca o se dispara el disyuntor.	El cable de alimentación no está conectado.	Enchufe el cable en un receptáculo de 120 voltios y 15 amperios.
	El disyuntor de la casa está disparado.	Restablezca el disyuntor.
	El receptáculo equipado con GFCI está disparado.	Restablezca el GFCI presionando el botón RESET.
	El GFCI en el cable de alimentación está disparado.	Restablezca el GFCI presionando el botón RESET.
	El interruptor principal ON/OFF está en la posición OFF.	Mueve el interruptor a la posición ON.
	El interruptor térmico dentro del motor eléctrico se ha disparado debido a un sobrecalentamiento.	Gire el interruptor principal de ON/OFF a la posición de OFF. Deje que la unidad se enfríe durante 30 minutos.
	La lavadora a presión está conectada a un receptáculo/enchufe que comparten otros dispositivos dentro del circuito.	Retire todos los demás dispositivos del circuito.
	La lavadora a presión está conectada a un circuito mediante un cable de extensión.	Retire el cable de extensión. Enchufe el cable de alimentación de la lavadora a presión directamente en un receptáculo de 120 voltios y 15 amperios. Consulte FUENTE DE ALIMENTACIÓN, página 5.
La lavadora a presión crea una presión de rociado de agua baja o nula.	Hay aire en las mangueras y/o en la bomba.	Consulte la sección CEBADO DE LA BOMBA de este manual para eliminar el aire de la bomba y las mangueras.
	El suministro de agua es insuficiente.	Asegúrese de que la presión del suministro de agua sea de al menos 5 gpm a 20 PSI.
	La boquilla está obstruida.	Limpia la boquilla según la sección de MANTENIMIENTO de este manual.
	La pantalla de entrada de agua está obstruida.	limpia el agua rejilla de entrada según la sección MANTENIMIENTO de este manual.

PROBLEMA	CAUSA POSIBLE	SOLUCIÓN
El detergente no se mezcla con el spray.	El tubo transparente está obstruido o agrietado.	Limpie o reemplace el tubo transparente.
	El tubo transparente no está conectado a la bomba.	Conecte el tubo transparente al conector de detergente en la bomba.
	Boquilla incorrecta utilizada.	Instale la boquilla de jabón negro en la varita.
	Detergente demasiado grueso.	Agregue agua al detergente para que tenga la consistencia del agua.

MANTENIMIENTO

Por razones de seguridad, el fabricante recomienda que todos los servicios y reparaciones de la lavadora a presión sean realizados por un centro de servicio autorizado. Todos los reemplazos o reparaciones bajo garantía deben ser realizados por un centro de distribución o servicio autorizado. Para encontrar un centro de servicio autorizado cerca de usted, hacer un reclamo de garantía u obtener una reparación de garantía autorizada, llame al 1-877-362-4271 o envíe un correo electrónico a cservice@fna-group.com.

Es responsabilidad del propietario y/o del operador completar todo el mantenimiento programado antes de operar la lavadora a presión. Asegúrese de seguir las recomendaciones de inspección y mantenimiento que se enumeran en todos los manuales que acompañan a esta unidad.

Mantenimiento

Antes de cada uso, revise la lavadora a presión respecto a fugas, piezas sueltas o dañadas y cualquier otra condición que pueda afectar la operación correcta. Asegúrese que todas las protecciones de seguridad estén en su lugar y en buenas condiciones de operación. Revise todas las rejillas de ventilación y las ranuras de enfriamiento para asegurarse que estén limpias y sin obstrucciones. Repare o reemplace todas las partes dañadas o defectuosas inmediatamente. Por razones de seguridad, el fabricante recomienda que todos los servicios y reparaciones de la lavadora a presión sean realizados por un centro de servicio autorizado. Nunca intente reparar una manguera de alta presión.

Limpieza de lavadora a presión

Siempre limpie la lavadora a presión con el motor apagado y frío. Para limpiar la lavadora a presión, primero use un compresor de aire ajustado a no más de 25 PSI para limpiar la suciedad y los escombros de las superficies, las rejillas de ventilación y las ranuras de enfriamiento de la lavadora a presión. Después, limpie el exterior con un paño húmedo.



AVISO

LIMPIEZA

El agua puede dañar los componentes del motor de la lavadora a presión si se deja entrar a través de las ranuras de enfriamiento u otros orificios. Los daños causados por la entrada de agua no están cubiertos por la garantía. Para evitar daños por agua en el motor, no use una lavadora a presión, manguera de jardín o cualquier otra fuente de agua corriente para limpiar el motor de la lavadora a presión, y nunca sumerja el motor de la lavadora a presión en ningún líquido.



AVISO

LIMPIADORES QUÍMICOS

El uso de limpiadores químicos y/o líquidos corrosivos puede dañar los sellos de la lavadora a presión y componentes internos. Daños causados por limpiadores químicos y líquidos corrosivos no están cubiertos por la garantía. Para evitar estos peligros, utilice únicamente productos de limpieza aprobados, nunca use blanqueador y siempre deje correr agua limpia a través de la lavadora a presión después de usar productos químicos de limpieza.

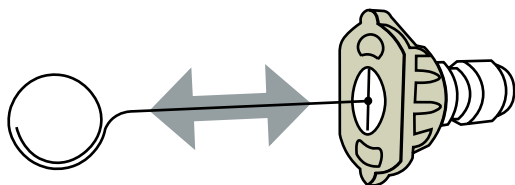
Conexiones

Las conexiones de la manguera, la pistola rociadora y la bomba deben limpiarse y lubricarse con una capa delgada de grasa de litio con regularidad para evitar daños y fugas en los anillos O.

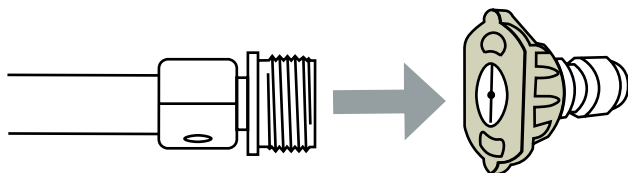
Limpieza de boquillas

Si una boquilla se obstruye, la bomba puede vibrar y los patrones de rociado pueden cambiar. Si no se limpia la boquilla, se puede desarrollar una presión excesiva que posiblemente dañe la bomba u otros accesorios. Revise las boquillas antes de usarlas y siga las instrucciones de esta sección para el procedimiento de limpieza de las boquillas adecuado.

1. Apague la lavadora a presión.
2. Cierre el suministro de agua.
3. Apunte la pistola rociadora en una dirección segura y apriete el gatillo para aliviar la presión del agua.
4. Ajuste el bloqueo del gatillo.
5. Retire la boquilla del conector rápido de la lanza.
6. Elimine cualquier obstrucción de la boquilla insertando la herramienta de limpieza de boquillas incluida.



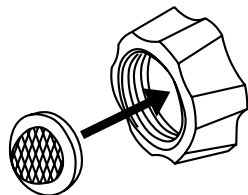
7. Enjuague cualquier residuo suelto de la boquilla dirigiendo una manguera de jardín en funcionamiento hacia la salida de la boquilla durante por lo menos 30 segundos.



Filtro de entrada de agua

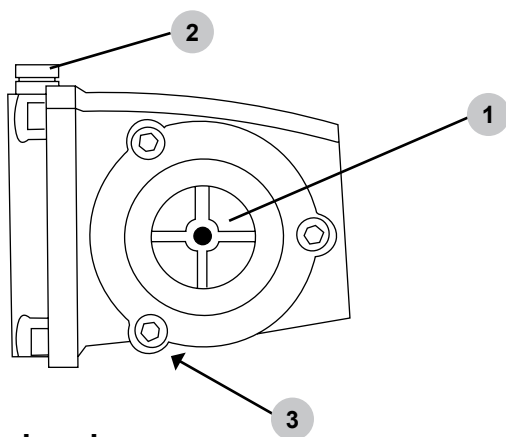
Antes de cada uso, verifique el filtro de entrada y límpielo siguiendo los pasos a continuación. Nunca opere la lavadora a presión sin el filtro de entrada correctamente instalado.

1. Retire el filtro del acoplador de la manguera de jardín.
2. Use agua de una manguera de jardín corriente para limpiar ambos lados del filtro.
3. Inserte el filtro limpio en la entrada de la bomba con el lado convexo hacia afuera.



Mantenimiento de la bomba

Nota: La bomba se llenó de aceite en la fábrica. El aceite preferido es Aceite de cárter de bomba Premium SIMPSON®. Si este aceite no está disponible, se puede usar aceite SAE 15W-40. Cambie el aceite después de las primeras 50 horas de operación y cada 100 horas a partir de entonces o cada 3 meses.



1. Mirilla de aceite
2. Tapón de llenado de aceite / tapón de ventilación
3. Tapón de drenaje de aceite (no se muestra)

Cómo cambiar el aceite de la bomba

1. Afloje el tapón de llenado / tapa de ventilación de aceite de la bomba.
2. Coloque un recipiente debajo del tapón de drenaje de aceite.
3. Retire el tapón de drenaje de aceite.
4. Después de que se haya drenado el aceite, inserte el tapón de drenaje de aceite; apriete firmemente.
5. Para bombas AAA™, rellene con aceite de cárter de bomba premium SIMPSON®. Si este aceite no está disponible, se puede usar aceite SAE 15W-40.
Para CAT Pumps®***, rellene con aceite hidráulico no detergente (ISO68).
6. Asegúrese que el nivel de aceite alcance, pero no exceda, el punto en el centro de la mirilla.
7. Inserte el tapón de llenado de aceite; apriete firmemente.

*** CAT Pumps® es una marca registrada de Diversified Dynamics Corporation.

ALMACENAMIENTO DE LA LAVADORA A PRESIÓN

1. Desconecte la manguera de alta presión de la bomba y la pistola.
2. Sostenga la pistola en un plano vertical y apriete el gatillo para eliminar el agua atrapada.
3. Retire el agua atrapada de la manguera de alta presión; bobina para almacenamiento.
4. Proteja la bomba utilizando el protector de bomba SIMPSON® según la sección USO DEL PROTECTOR DE BOMBA de este manual.
5. Guarde la lavadora a presión y sus accesorios en un lugar fresco y seco, fuera de la luz solar directa.

USO DE PUMP GUARD SIMPSON®



AVISO

DAÑO DE LA BOMBA

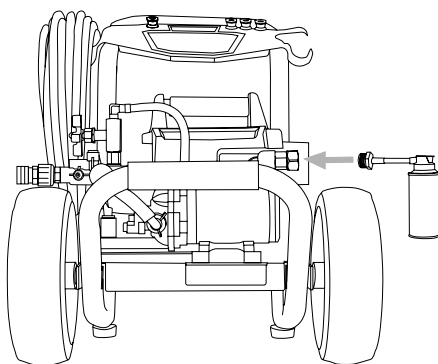
Dejar agua dentro de la bomba durante un clima helado causará daños severos a la bomba. Para evitar daños costosos, siempre trate la bomba con Pump Guard SIMPSON® para eliminar el agua atrapada y llenar la bomba con una solución lubricante y anticongelante.

Pump Guard SIMPSON® (se compra por separado) está formulado para proteger su bomba durante el almacenamiento a largo plazo y contra daños por congelamiento. Pump Guard debe usarse durante toda la temporada para mantener los sellos flexibles y bien lubricados. Antes de almacenar la unidad para el invierno o para cuando haya posibilidad de heladas, use Pump Guard para eliminar todo rastro de agua de las cavidades internas mientras las llena con una solución anticongelante. Pump Guard es un seguro para su inversión, utilícelo.

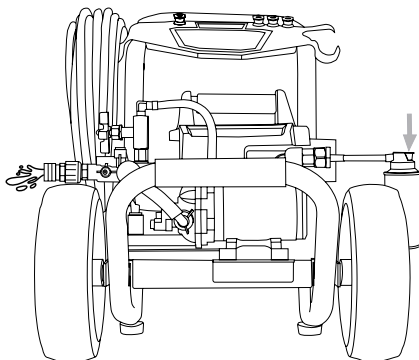
Simplemente use Pump Guard siguiendo estos sencillos pasos:

1. Gire la válvula dosificadora completamente en sentido antihorario.

2. Atornille el adaptador Pump Guard en la entrada de la manguera de jardín en el marco del atomizador.



3. Mantenga presionado el botón hasta que toda el agua y el Pump Guard comiencen a salir del puerto de alta presión.



4. Desenrosque el protector de la bomba y luego prepare la lavadora a presión para almacenarla como se describe en ALMACENAMIENTO DE LA LAVADORA A PRESIÓN.

GARANTÍA LIMITADA COMERCIAL

TÉRMINOS DE LA COBERTURA DE LA GARANTÍA:

El fabricante de este producto se compromete a reparar o reemplazar las partes designadas que resulten defectuosas dentro del período de garantía que se indica a continuación, a discreción exclusiva del fabricante. Se aplican limitaciones / extensiones y exclusiones específicas.

Esta garantía cubre defectos de material y mano de obra y no fallas de partes debido al desgaste normal, depreciación, abuso, daño accidental, negligencia, uso inadecuado, mantenimiento, calidad del agua o almacenamiento. Para realizar una reclamación de acuerdo con los términos de la garantía, todas las partes que se consideren defectuosas deben conservarse y estar disponibles para su devolución previa solicitud a un Centro de servicio de garantía designado para la inspección de la garantía. Los juicios y decisiones del fabricante con respecto a la validez de las reclamaciones de garantía son finales.

Estas garantías pasan al usuario final y no son transferibles. Como Centro de servicio de garantía capacitado y autorizado por la fábrica, la fábrica respetará los términos de todas las garantías de los componentes y cumplirá los reclamos de las disposiciones de garantía correspondientes.

Esta garantía reemplaza todas las demás garantías, expresas o implícitas, incluyendo, entre otras, las garantías de comerciabilidad o idoneidad para un propósito particular y todas las garantías tales quedan excluidas y rechazadas por el fabricante. La obligación de garantía del fabricante se limita a la reparación y reemplazo de productos defectuosos de acuerdo con lo dispuesto en este documento y el fabricante no será responsable de ninguna pérdida, daño o gasto adicional, incluyendo daños por envío, accidente, abuso, casos fortuitos, mal uso o negligencia. Tampoco lo es el daño por reparaciones utilizando partes no compradas al fabricante o las alteraciones realizadas por personal no autorizado por la fábrica. No instalar y operar el equipo de acuerdo con las pautas establecidas en el manual de instrucciones anulará la garantía.

ESTA GARANTÍA NO CUBRE:

Daños resultantes del envío (los reclamos deben presentarse con el transportista), accidente, abuso, caso fortuito, mal uso o negligencia. Esta garantía tampoco cubre daños por reparaciones o alteraciones realizadas por personal no autorizado por la fábrica o por no instalar y operar el equipo de acuerdo con las pautas establecidas en el manual de instrucciones. El fabricante no será responsable ante ninguna persona por daños consecuentes, lesiones personales o pérdidas comerciales.

RESPONSABILIDAD DEL COMPRADOR ORIGINAL (USUARIO INICIAL):

Para procesar un reclamo de garantía en su lavadora a presión SIMPSON®, informe la inquietud al 1-877-362-4271 o cservice@FNA-GROUP.COM para autorización y dirección al centro de servicio autorizado más cercano en su área. Conserve el recibo de venta original de la caja registradora como prueba de compra para el trabajo de garantía. Tenga un cuidado razonable en la operación y mantenimiento del producto como se describe en el (los) Manual(es) del Operador.

QUÉ NO CUBRE ESTA GARANTÍA:

- Daños por flete
- Daños por deterioro químico, agua salada, óxido o corrosión
- Daños causados por partes o accesorios no obtenidos de un distribuidor autorizado o no aprobados por el fabricante
- Desgaste normal de partes móviles o componentes afectados por partes móviles
- Piezas consumibles como: Filtro de combustible, filtro de aire, bujía(s), cuerda de arranque de retroceso, aceite y lubricante(s)
- Trabajo de mantenimiento periódico normal, como la limpieza del carburador y el drenaje del aceite del motor
- Daños por congelamiento

MOTOR ELÉCTRICO (DEFECTOS DE MATERIAL Y MANO DE OBRA):

UNO (1) año a partir de la fecha de compra.

BOMBA DE ALTA PRESIÓN (DEFECTOS DE MATERIAL Y MANO DE OBRA):

CINCO (5) años a partir de la fecha de compra.

MARCO (DEFECTOS EN MATERIALES Y MANO DE OBRA):

CINCO (5) años a partir de la fecha de compra.

BOMBA AUTO CEBADORA (DEFECTOS DE MATERIAL Y MANO DE OBRA):

CUATRO (4) años a partir de la fecha de compra - consulte la documentación del fabricante de la bomba para obtener más información sobre la garantía.

ACCESORIOS (DEFECTOS DE MATERIAL Y MANO DE OBRA):

Incluye boquillas, mangueras, pistolas rociadoras, varillas, llantas, patas
Noventa (90) días a partir de la fecha de compra.

NOTAS

ESTA PÁGINA SE DEJÓ EN BLANCO INTENCIONALMENTE



LEA ESTE MANUAL DETENIDAMENTE ANTES DE LA OPERACIÓN

El incumplimiento de las instrucciones y precauciones de seguridad de este manual puede provocar daños a la propiedad, lesiones graves y/o la muerte.

CONSERVE ESTE MANUAL PARA FUTURA REFERENCIA