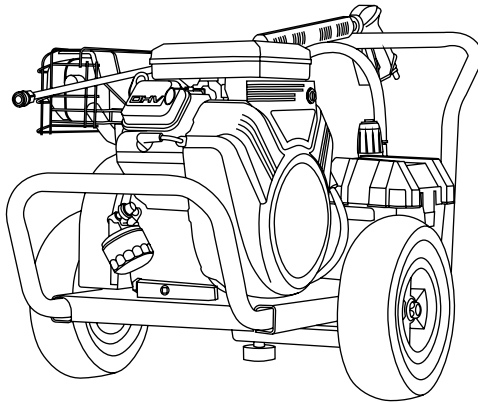





PRESSURE WASHER

USE AND CARE MANUAL



 **LOOK BEFORE YOU PUMP!**

— Ethanol Percentage —

<10% **OK** **NO** 15%–30%–85%



READ THIS MANUAL CAREFULLY BEFORE OPERATION

Failure to follow the instructions and safety precautions in this manual can result in property damage, serious injury and/or death.

If your pressure washer is not working or if there are parts missing or broken, please **DO NOT RETURN IT TO THE PLACE OF PURCHASE**. Contact our Customer Service Department by calling **1-877-362-4271** or emailing **cservice@fna-group.com**

SAVE THIS MANUAL FOR FUTURE REFERENCE

NOTE: Photographs and line drawings used in this manual are for reference only and may not represent your specific model.

NOTES

THIS PAGE WAS INTENTIONALLY LEFT BLANK

SAVE THIS MANUAL FOR FUTURE USE

Keep this manual for future reference. This manual should be considered a permanent part of the product and stay with it. This manual should be available to anyone operating the product(s) it covers. This manual should remain with the product(s) it covers if sold to a new owner. If the manual becomes damaged, lost, or otherwise unusable, you may download a new copy from the product pages at www.simpsoncleaning.com or contact customer support by calling 1-877-362-4271.

Write down the model number, serial number, and purchase date of this product in the spaces provided below then keep this manual with the purchase receipt(s) for future reference.

Model Number:

Serial Number:

Purchase Date:

TABLE OF CONTENTS

SAFETY INSTRUCTIONS	4
Read this Manual Before Operating	4
Additional Instructions	4
Hazard Alert Symbols	4
DISCLAIMERS	6
PERSONAL PROTECTIVE EQUIPMENT	6
UNPACKING	7
ASSEMBLY	7
Assemble the Spray Gun	7
Adding the Pump Breather Cap	7
Place Nozzles in Holders	8
BATTERY CONNECTIONS	8
COMPONENT LOCATIONS	9
CONNECTING HOSES	11
PURGING AIR FROM THE PUMP	12
NOZZLES	13
Nozzle Selection	13
Nozzle Installation	13
USING CHEMICALS	14
OPERATING CHECKLIST	15
Location	15
High Altitude Operation	16
Operating Conditions	16
Checking the Engine Oil	17
Checking Fuel	19
STARTING THE ENGINE	21
SHUTTING OFF THE ENGINE	22

OPERATION TIPS	23
Terms	23
Preparation	23
Pressure Washing	23
Adjusting Pressure	23
TROUBLESHOOTING	24
MAINTENANCE	26
Maintenance	26
Cleaning the Pressure Washer	26
Connections	26
Nozzle Cleaning	27
Water Inlet Filter	27
Pump Maintenance	28
Engine Maintenance	29
STORAGE AND TRANSPORTATION	29
Storing for Two Months or Less	29
Storing for More Than Two Months	30
Transportation	30
USING SIMPSON® PUMP GUARD	31
WARRANTY	32

SAFETY INSTRUCTIONS



READ THIS MANUAL BEFORE OPERATING

This manual contains important safety information and instructions. **Do not** operate this product until you have read, and completely understand all safety, operation, and maintenance instructions listed in this manual. Failure to follow the information contained in this manual will result in property damage, injury, and/or death.

NOTE: The warnings and precautions discussed in this manual cannot cover all conditions and situations that may occur. The operator must understand awareness and caution are factors which cannot be built into this product and so must be exercised by the operator.



ADDITIONAL INSTRUCTIONS

Along with this manual, be sure to read any additional instructions provided both on and with the product, attached equipment, accessories, and the engine powering the product. Pay careful attention to all additional safety rules and instructions on proper startup, operation, and shutdown procedures. Always use any recommended protective apparel that may be needed to operate the equipment safely.



HAZARD ALERT SYMBOLS

Be sure to understand the safety symbols and definitions listed below. Each symbol contains one of four words: **DANGER**, **WARNING**, **CAUTION**, **NOTICE**, indicating different levels of hazard severity. These symbols are used throughout this manual and are followed information about a specific hazard, the consequences of the hazard, and instructions on how to avoid the hazard. Failure to heed these symbols and follow the instructions provided with them will result in property damage, injury, and/or death.



Indicates an imminently dangerous situation, which if not avoided, will result in property damage, serious injury, and/or death.



Indicates a potentially hazardous situation, which if not avoided, could result in property damage, serious injury, and/or death.



Indicates a hazardous situation, which if not avoided, could result in property damage and/or minor to moderate injury.



Indicates information considered important, but not directly hazard related.

CAUTION



TRIPPING HAZARD

Hoses may pose a tripping hazard that can cause injuries resulting from a fall

CAUTION:

SLIP / TRIP HAZARDS

When pressure washing in public areas, signs should be posted that indicate to stay clear of the area as high-pressure washing is being performed. Also, signs should be posted that the surface may be slippery and trip hazards may be present.

Special consideration needs to be made to the safety of not just the operator of the pressure washer, but also people who may be adjacent to the area being cleaned. The best way to warn unsuspecting individuals is with signage and barriers.

Barriers can be as simple as plastic traffic cones or barricades to using barrier belts around the area being cleaned. Remember, pressure washing can dislodge weak or broken pavement turning it into projectiles that may injure others. Keeping people clear of the area is the best way to avoid injury.

Wet pavement can be slippery to unsuspecting individuals causing injury from slips and falls. High-pressure and low-pressure hoses can be trip hazards. Segregating the area and placing appropriate signage can reduce injury.

Sign examples



Barrier examples



NOTICE

This appliance is not intended to be used by persons (including children) with reduced physical, sensory, or mental capabilities, or lack of experience and knowledge, unless they have been given supervision or instruction concerning use of the appliance by a person responsible for their safety.

Children should be supervised to ensure that they do not play with the appliance.



CALIFORNIA PROPOSITION 65 WARNING

This product and the engine exhaust can expose you to chemicals which are known to the state of California to cause cancer, birth defects, or other reproductive harm. For more information on California Proposition 65, go to www.P65Warnings.ca.gov.



POLYCYCLIC AROMATIC HYDROCARBON WARNING

The air filter element and air box assembly may contain polycyclic aromatic hydrocarbons (PAHs). Some PAHs may cause cancer. To avoid exposure to PAHs, wear gloves when performing air filter maintenance.

DISCLAIMERS

- All information in this publication was based on the latest product information available at the time of printing. The FNA Group reserves the right to update, change, and/or improve the product and this document at any time, without notice, and without incurring any obligation.
- This manual may cover more than one machine. The pictures and figures in the manual should be used for reference only. There may be differences between your product and the pictures, drawings, and diagrams in this manual.

PERSONAL PROTECTIVE EQUIPMENT (PPE)

It is important to understand what personal protective equipment (PPE) should be utilized when using your pressure washer. Below is a list of PPE items that should be utilized at all times when using the pressure washer.

Hearing - Ear plugs or muffs to protect your hearing.

Vision - Safety glasses or goggles to protect your eyes.

Clothing - Long pants to protect your legs from flying debris.

Shoes - Shoes that fully cover your feet to protect against debris and over spray.

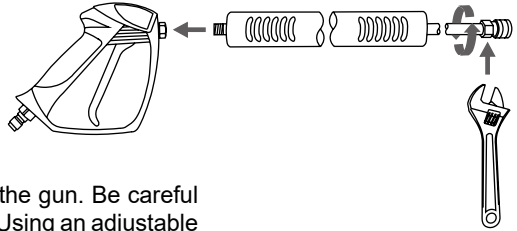
UNPACKING

Follow the steps outlined in this section to unpack and assemble your pressure washer. If you have any questions regarding the unpacking or assembly of your pressure washer, please have your model number and serial number ready, then contact customer support at 1-877-362-4271 or email cservice@fna-group.com.

1. Place the shipping carton on a solid, flat surface.
2. Carefully cut the top of the carton open.
3. Carefully cut each corner of the carton from top to bottom.
4. Lay each side of the carton flat on the ground.
5. Remove the contents of the carton.

ASSEMBLY

Assemble the spray gun



Hand thread the lance clockwise into the gun. Be careful not to cross-thread the gun and lance. Using an adjustable wrench, tighten the lance by placing the wrench on the flats of the nozzle quick-connector.

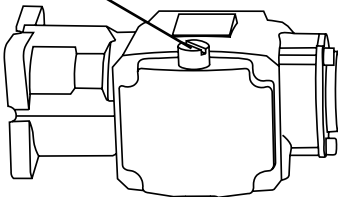
WARNING! The threads on the lance and gun coupler can be easily cross threaded resulting in an improper assembly. An improper assembly of the gun and lance can result in personal injury. Do not use if the threads on the gun coupler and or lance are cross threaded.

Adding the pump breather cap (if applicable)

A RED shipping plug is in the pump that must be replaced with a BLACK breather cap. The plug is easy to replace with the following steps:

1. Using a bladed screw driver, remove the RED shipping plug from the top of the pump.
2. Hand thread the BLACK breather cap into the pump.
3. Snug the cap with your fingers.

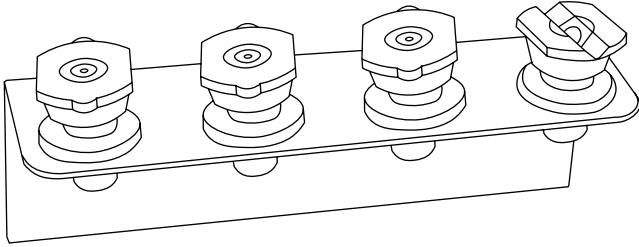
RED shipping plug



BLACK breather cap

Place nozzles in holders

Place the nozzles into the nozzle holder located on the baseplate of the pressure washer.



! WARNING:

OPERATING CHECKLIST

Attempting to start the engine incorrectly or using the pressure washer incorrectly can result in engine and/or pressure washer damage, and may cause serious injury or death. To avoid these hazards, be sure to read, understand, and follow the steps outlined in the OPERATING CHECKLIST section of the owner's manual before starting the engine, and follow all the guidelines for proper use of the pressure washer.

BATTERY CONNECTIONS

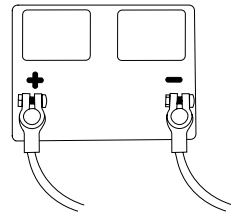


! DANGER:

RISK OF ACID BURNS

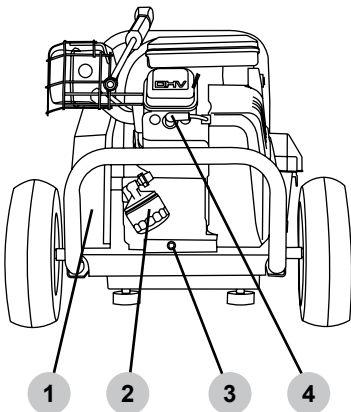
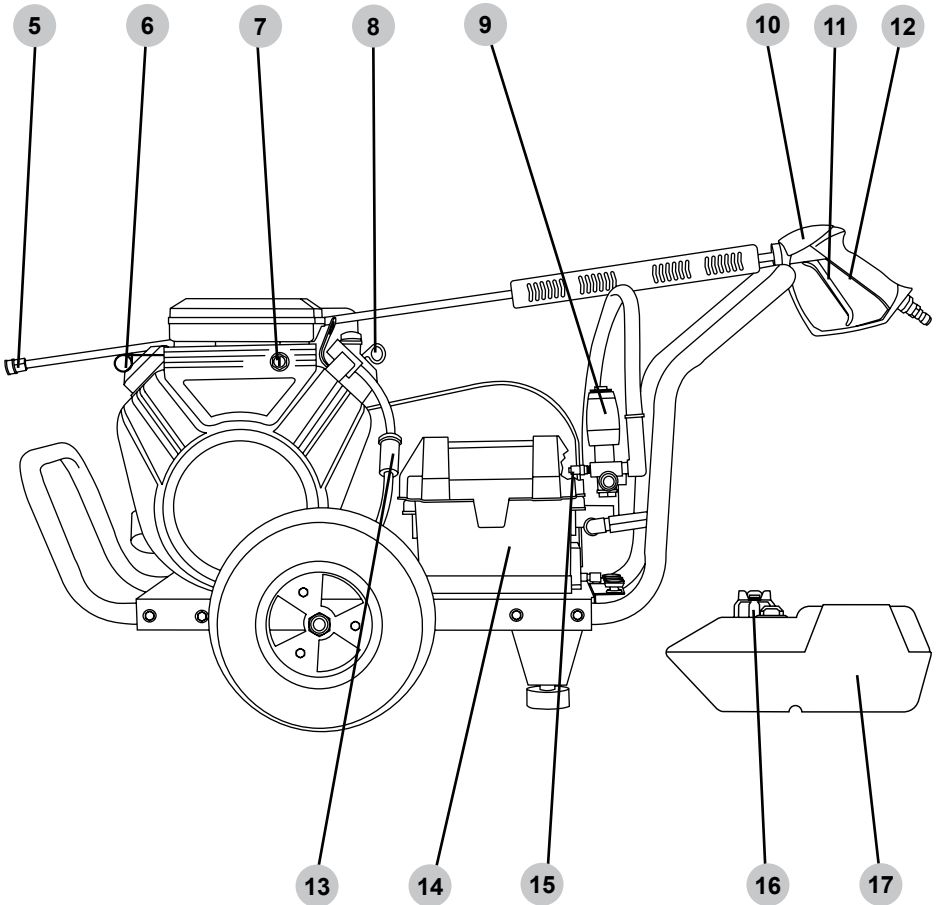
The pressure washer does not come with a battery. You must install a U1 sized battery before using the pressure washer.

1. Remove the cover from the battery box.
2. Carefully place the battery into the battery box.
3. Place the red, positive (+) battery cable onto the positive (+) battery post. Tighten.
4. Place the black, negative (-) battery cable onto the negative (-) battery post. Tighten.
5. Place the cover back onto the battery box.

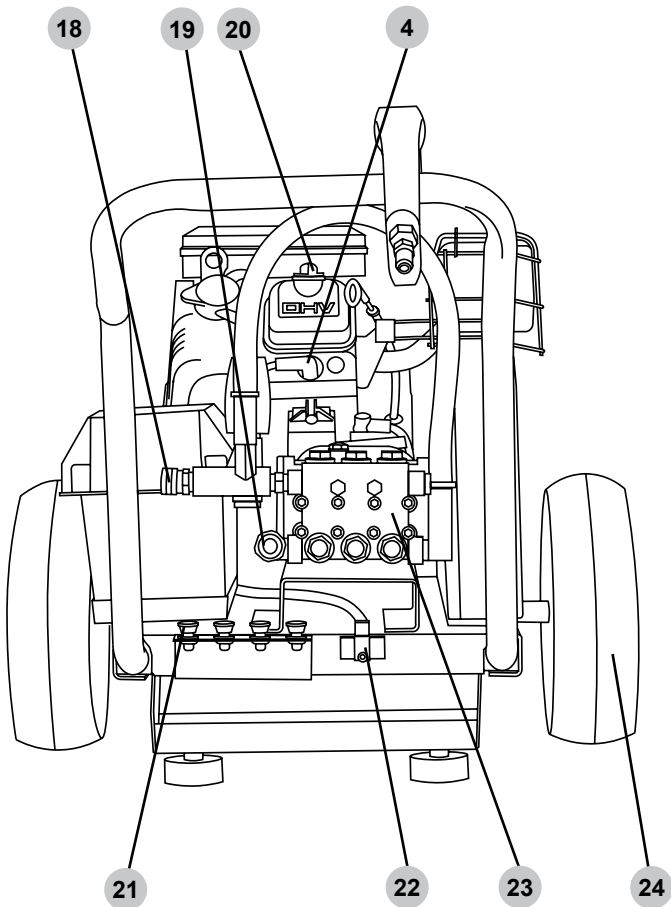


WARNING! Always remove the black, negative (-) battery cable first and always connect the black, negative (-) battery cable last.

COMPONENT LOCATION



1. Belt guard
2. Oil filter
3. Engine oil drain plug
4. Spark plug
5. Nozzle quick connector
6. Engine choke
7. Engine key start
8. Engine oil dipstick
9. Unloader control knob
10. Spray gun
11. Spray gun trigger
12. Spray gun trigger lock

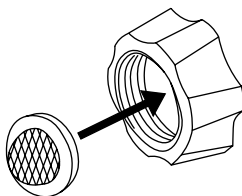


- 13. Engine fuel filter
- 14. Battery box
- 15. Thermal relief valve
- 16. Fuel filler cap
- 17. Outboard fuel tank
- 18. High-pressure pump outlet
- 19. Garden hose coupler & water inlet filter
- 20. Oil filler cap
- 21. Nozzle holder
- 22. Fuel line quick connector
- 23. Pump
- 24. Wheel

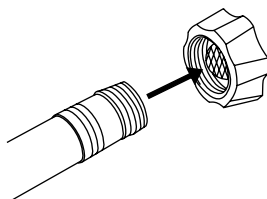
CONNECTING HOSES

Before connecting a water supply hose, be sure the water supply is capable of providing an uninterrupted source of clean, cold water at a minimum rate of 5 gallons per minute (GPM) and 20 pounds per square inch (PSI) of pressure. Once a proper water supply is secured, follow the instructions below to connect both the water supply and high-pressure hoses to the pressure washer.

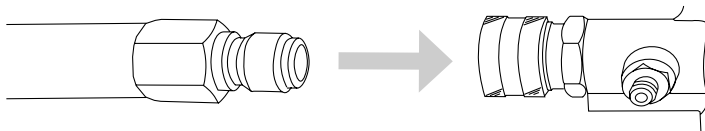
1. Verify the inlet screen is free of any dirt or debris and is in place with the convex side facing out.



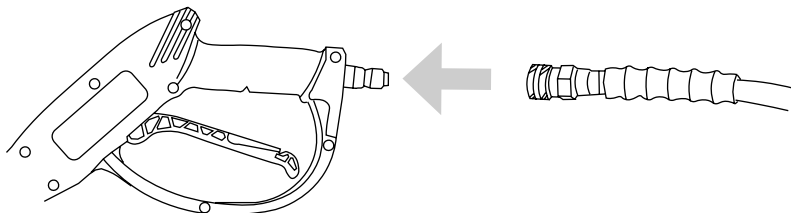
2. Turn on the water supply and run for 30 seconds to purge any debris from the supply hose. Then, turn off the water supply and thread the water supply hose into the pump inlet.



3. While pulling back on the pump outlet collar, insert the high-pressure hose connector then release the collar. Gently tug on the hose to make sure it is locked.



4. While pulling back on the high-pressure hose outlet collar, insert the spray gun connector then release the collar. Gently tug on the hose to make sure it is locked.



PURGING AIR FROM THE PUMP



NOTICE

PUMP PURGING

Running a pressure washer pump without water will severely damage the pump seals and other internal components. To avoid this hazard, make sure your water supply is uninterrupted and at least 5 GPM at 20 PSI, and always purge the air your pressure washer pump before starting the engine.



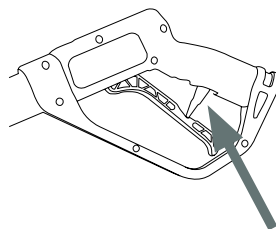
WARNING:

INJECTION INJURY

The high pressures created by a pressure washer can cause fluid injection injuries, severe lacerations, amputations, and / or death. To avoid these hazards, always aim the spray gun and lance in a safe direction when using the pressure washer and never attempt to touch a leak in a high-pressure hose or fitting.

A pressure washer pump is designed to operate with water flowing through it. Water lubricates and cools the internal components of the pump. Running a pressure washer pump without water will severely damage the pump seals and other internal components. Damage caused by running a pressure washer pump without water is not covered under warranty. Be sure to follow the instructions below to correctly purge the air from your pressure washer pump before starting the engine.






1. Connect all the hoses by following the steps outlined in the **CONNECTING HOSES** section of this manual then turn on the cold water source.
2. Aim the spray gun in a safe direction then squeeze and hold the trigger for at least 30 seconds or until the water runs steady and all the air is purged from the pump and hoses.
3. Check hoses and connections for leaks. If leaks are found, turn off the machine, aim the spray gun in a safe direction and squeeze the trigger to relive any built up pressure in the system. Never attempt to touch a leak in a high-pressure hose or fitting. Never attempt to repair a high-pressure hose.
4. Engage the trigger lock.



NOZZLES

Nozzle Selection

The nozzles supplied with the pressure washer have specific spray patterns designed to clean different surfaces. Using the incorrect nozzle can damage surfaces. Refer to the table below to select the correct nozzle before using the pressure washer. **NOTE:** The selection of nozzles included may vary with pressure washer models.

Color	5-N-1 (if equipped)	Spray Pattern	Uses	Surfaces
Red	 0° HIGH PRESSURE	0°	Spot cleaning hard, unpainted surfaces and high-reach areas	Unpainted metal and concrete DO NOT use on wood.
Yellow	 15° HIGH PRESSURE	15°	Intense cleaning of unpainted surfaces	Grills, driveways, concrete and brick walkways, unpainted brick and stucco
Green	 25° HIGH PRESSURE	25°	Standard cleaning nozzle for most applications	Yard tools, sidewalks, lawn furniture, unpainted siding, stucco, gutters, eaves, concrete, and brick surfaces
White	 40° HIGH PRESSURE	40°	Cleaning painted or delicate surfaces	Auto, truck, RV, marine, wood, painted brick, painted stucco, vinyl, and painted siding
Black	 SOAP LOW PRESSURE	Soap	Applies cleaning solutions	Safe on all surfaces. Always verify compatibility of cleaning solution(s) prior to use.



NOTICE

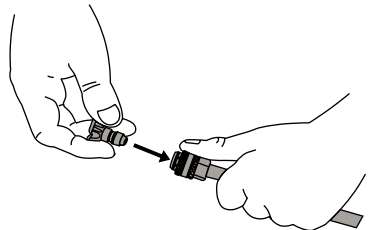
SPRAY DAMAGE

High-pressure spray can damage plants and other surfaces. To avoid causing damage, cover plants before spraying near them, refer to the Nozzle Selection table in this manual for correct nozzle selection, and test surfaces before spraying to make sure they are strong enough to withstand high-pressure spray.

Nozzle Installation

If the engine is running, make sure the trigger lock is in the locked position before removing and installing nozzles.

To place a nozzle into the spray wand, pull the quick-connect coupler back, insert the nozzle, then release the coupler allowing it to snap back in place. Once installed, pull on the nozzle to make sure it secure.



USING CHEMICALS *(if applicable)*

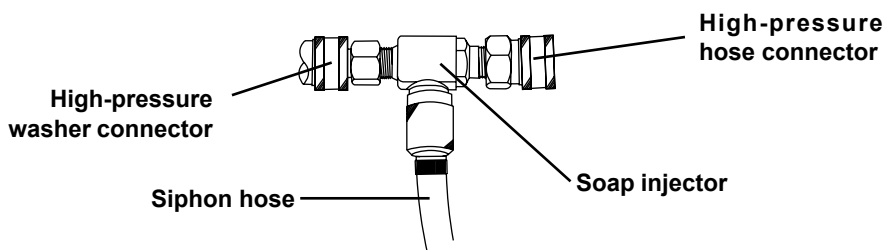


NOTICE

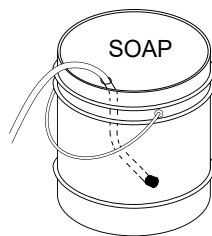
VOLATILE LIQUIDS

Pressure washing with volatile, flammable, or corrosive liquids could cause pressure washer damage, fire, or explosion resulting in severe injury and/or death. To avoid these hazards, use only approved soaps and chemicals, do not attempt to pressure wash with volatile, flammable, or corrosive liquids, and NEVER use bleach.

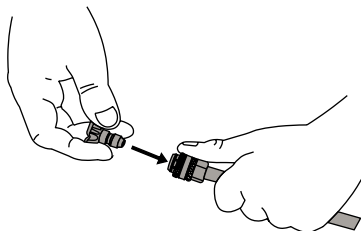
1. Ensure that the outboard soap injector is connected to the pump high-pressure output with the high-pressure hose connected to the soap injector.



2. Place the filtered end of the soap hose into a container of soap.



3. If the engine is running, make sure the trigger lock is in the locked position before removing and installing nozzles.
4. Insert the black nozzle into the spray wand per the Nozzle Installation section of this manual. **NOTE:** Soaps will not siphon if the black soap nozzle is not installed on the spray wand.



5. After using soap, place the filtered end of the soap hose into a container of clean water and run pressure washer drawing clean water through the hose and pump until the system is thoroughly rinsed. If soap or other chemicals remain in the pump, the pump could be damaged. Pump damage from soap or chemical residue is not covered under warranty.

OPERATING CHECKLIST

Location

Place the pressure washer on a level surface outside in a well-ventilated area before operating. Keep all flammable materials at least five feet away from all sides of the product.

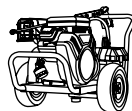
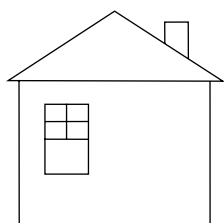
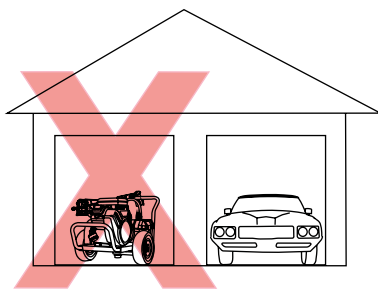
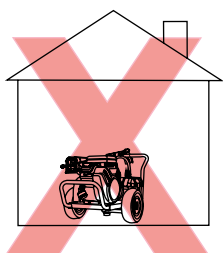
- Never use pressure washer inside a house, garage, or any other kind of enclosure even if doors and windows are open. Run engine outside at least 20 feet (6 meters) away from windows, doors, and vents. Carefully consider wind direction and air currents when using pressure washer outside to avoid breathing in engine exhaust.
- Following the manufacturer's instructions and recommendations, install battery operated carbon monoxide alarms in any occupied buildings near the running engine.
- If you experience headache, nausea, dizziness, sleepiness, or weakness while pressure washer is running, move to fresh air and seek medical attention immediately.



! WARNING:

TOXIC FUMES

Engine exhaust contains carbon monoxide, an odorless, colorless, poisonous gas. Running an engine indoors will kill you in minutes. Never use this product inside a house, garage, or any other kind of enclosure even if doors and windows are open. Run engine outside at least 20 feet (6 meters) away from windows, doors, and vents. Carefully consider wind direction and air currents when using this product outside to avoid breathing in engine exhaust. Always use a carbon monoxide detector in any occupied buildings near the running engine.



High Altitude Operation

This engine will have proper engine performance and emission control when it is operated at or below an altitude of 5000 feet (1524 meters). This engine requires a high-altitude carburetor kit to ensure proper engine performance and emission control when operated at altitudes above 5000 feet (1524 meters). Operating the machine with the wrong engine configuration above 5000 feet (1524 meters) may increase its emissions, decrease fuel efficiency, and hurt performance. To obtain a high altitude carburetor kit, contact your nearest authorized service center.



NOTICE

ALTITUDE

Operating the engine with a high-altitude carburetor jet kit at an altitude below 5000 feet (1524 meters) will cause the engine to run too hot. Overheating the engine could result in serious engine damage. To avoid this hazard, make sure the correct carburetor kit is installed and the air/fuel mixture is set correctly for your altitude.

Operating Conditions

Before each use, check for loose or damaged parts, leaks, and/or any other condition that may affect proper operation. Repair or replace all damaged and/or defective parts immediately. Always keep all safety guards in place and in proper working order. For safety reasons, the manufacturer recommends all maintenance and repairs be performed by an authorized service center.

Before starting engine, remove any excessive dirt and debris from cooling vents, exhaust, and starter recoil areas. Always operate the pressure washer on a level surface and never move or tip the pressure washer while operating. Use pressure washer only for its intended purpose. If you have questions about the proper use of your pressure washer, please contact customer support at 1-877-362-4271 or cservice@fna-group.com.



WARNING:

UNTRAINED OPERATION

Untrained adults and children can be seriously injured or killed if allowed to incorrectly operate or play with running pressure washer. To avoid these hazards, be sure anyone operating the pressure washer receives proper instructions, understands safe operation, and has read the owner's manual before operating this product. Do not let children operate the pressure washer without parental supervision. Keep children and pets away from the pressure washer while it is running. Always turn off the pressure washer before leaving the area.



WARNING:

INSPECT BEFORE OPERATING

Failure to inspect this product before use could create a hazardous situation resulting in product damage, serious injury, and/or death. To avoid these hazards, inspect the pressure washer before each use. Check for loose or damaged parts, signs of oil or fuel leaks, missing guards, plugged cooling vents, or any other condition that may affect proper operation. Repair or replace all damaged or defective parts and keep all safety guards in place and in proper working order before using the pressure washer.



! WARNING: INJECTION INJURY

The high pressures created by a pressure washer can cause fluid injection injuries, severe lacerations, amputations, and / or death. To avoid these hazards, always aim the spray gun and lance in a safe direction when using the pressure washer and never attempt to touch a leak in a high-pressure hose or fitting.



! CAUTION: HOT SURFACES

A running engine produces heat. The surfaces of the engine, other related components, and engine exhaust gas get hot enough to cause mild moderate burns or ignite materials on contact. To avoid burns, do not touch engine surfaces or exhaust gases while operating and allow engine to cool completely before moving, touching, or performing any maintenance. To avoid a fire, keep all flammable materials at least five feet away from all sides of the product.



! WARNING: MOVING PARTS

This product has many parts that move at high speeds. Moving parts can cause crushing injuries, broken bones, severe lacerations, and/or traumatic amputations. To prevent injury, never place fingers, hands, feet, or other body parts near running engine. Never operate product with covers, shrouds, or other guards removed. Do not wear loose-fitting clothing, dangling drawstrings, or any other hanging items that could become entangled in moving parts while operating. Tie up long hair and remove jewelry before operating.

Checking the Engine Oil



! CAUTION: HOT OIL

Hot oil can cause serious burns. To prevent getting burned when changing or checking the engine oil, wear appropriate gloves and change the oil when the engine is warm but not hot.



NOTICE LOW OIL SENSOR

The low oil sensor (if equipped) will automatically stop the engine when the oil level falls below the safe limit. To avoid an unexpected shutdown, check the oil level before each use, fill to the upper limit, and always operate engine on a level surface.



NOTICE

FILL ENGINE OIL BEFORE USE

The engine is shipped from the factory without oil. Running the engine without oil will result in severe engine damage and void the warranty. To avoid causing engine damage and voiding the warranty, fill the engine with the recommended oil type before starting.

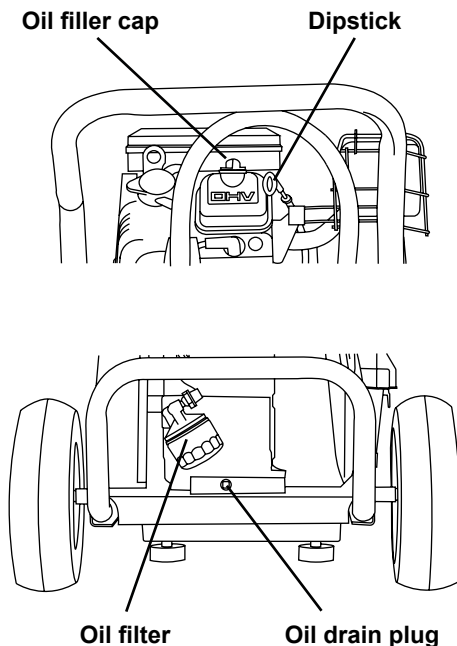
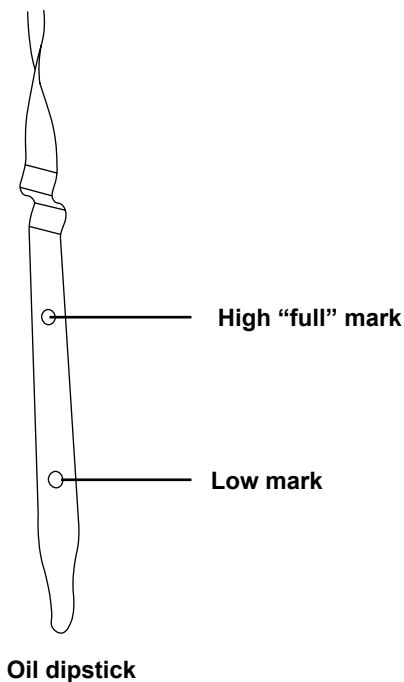


NOTICE

USE CORRECT ENGINE OIL

Oil is a major factor in the performance and service life of any engine. Using the incorrect oil may damage the engine and void the warranty. To avoid causing engine damage and voiding the warranty, check and change oil as required using the correct engine oil.

1. Check oil with the pressure washer on a level surface and the engine off.
2. Remove the oil dipstick; wipe it clean with paper towel.
3. Insert the clean dipstick into the spout fully.
4. Remove the dipstick. The oil level should be at, but not above, the full or high mark.
5. If the oil level is low, add the recommended oil to the crankcase until the level reaches the full or high mark on the dipstick. See the engine manual for the recommended oil.
6. Place the dipstick back into the spout fully.



Checking Fuel



! WARNING:

REFUELING

Gasoline is highly flammable and gasoline vapors are extremely explosive. Fire and explosions can cause severe burns and/or death. Keep gasoline away from flames, sparks, and other ignition sources. Refuel outdoors in a well-ventilated area with the engine stopped and cool. Wipe up any spilled gasoline and allow engine to dry before starting. Keep a fire extinguisher handy while refueling. Do not operate engine with leaks in the fuel system. Do not store gasoline near other flammable materials.



NOTICE

OLD GASOLINE

Old gasoline can create deposits that clog fuel systems causing hard starting and poor performance. Damage caused by old fuel is not covered by warranty. To minimize deposits, avoid old fuel related performance issues, and prevent costly repair work, do not use gasoline that is older than 30 days.



NOTICE

ALCOHOL BLENDS

Using gasoline with an alcohol blend greater than 10% (E10) will damage the engine. Damage caused by using an alcohol blend of 15% (E15), 85% (E85), or any other alcohol blend higher than 10% (E10) is not covered under warranty. To avoid engine damage caused by an alcohol blend that is too high, use gasoline with 10% (E10) alcohol or lower.



NOTICE

GASOLINE ADDITIVES

The use of fuel system cleaning additives can damage the engine and fuel systems. Damage caused by the use of fuel system cleaning additives is not covered by warranty. To avoid engine and fuel system damage, do not use any fuel system cleaning additives.



! CAUTION:

FUEL TANK PRESSURE

Gasoline vapor can build up inside the fuel tank creating pressure. This pressure may increase when the engine is hot from running. Opening the fuel tank under pressure can cause rapid escape of flammable vapors and possible fuel spills that may ignite from contact with hot engine surfaces resulting in burn hazard. To avoid these hazards, always allow the engine to cool for at least 2 minutes before removing fuel cap and loosen the fuel cap slowly to relieve any pressure in the tank.



NOTICE

DO NOT OVERFILL FUEL TANK

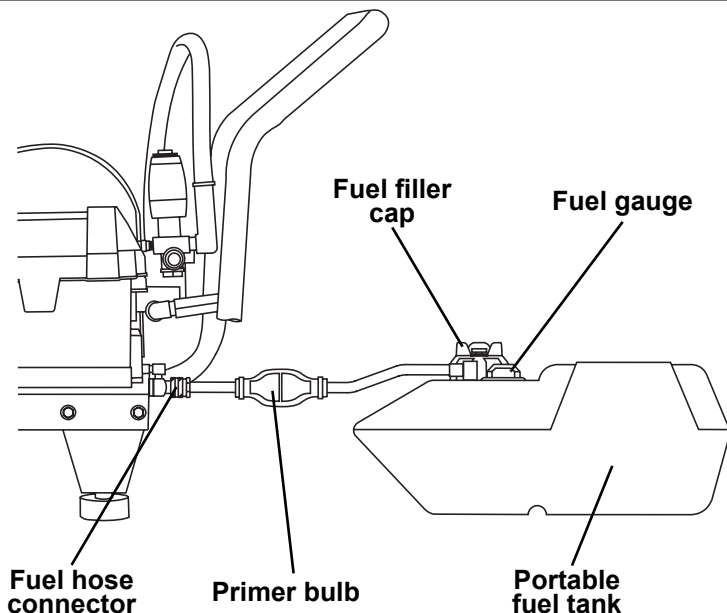
Overfilling the fuel tank can result in carbon canister damage (if equipped), poor engine performance, and void the warranty. To avoid these hazards, do not fill the fuel tank above the maximum level.



NOTICE

GASOLINE STORAGE

It is important to prevent gum deposits from forming in essential fuel system parts, such as the carburetor, fuel filter, fuel hose or tank during storage. Alcohol-blended fuels (also called gasohol, ethanol, or methanol) attract moisture, which leads to separation and formation of acids during storage. Acidic fuel and gum deposits can damage the engine's fuel system while in storage. Damage caused by the use of old, stale, or contaminated fuel are not covered under warranty.



1. Place the portable fuel tank on the ground behind the pressure washer.
2. Connect the fuel hose to the pressure washer by use of the quick connector.
3. Remove the fuel filler cap then proceed to fill the tank until the gauge reaches the FULL mark. Do not use gasoline that is older than 30 days. Use only clean, fresh regular unleaded gasoline with a minimum octane rating of 87. Do not mix oil with gasoline. Do not use gasoline that contains more than 10% ethyl alcohol. E15, E20, and E85 are not approved fuels and should not be used. NEVER fill tank when it is on or in a vehicle; static electricity could cause an explosion.
4. Place the filler cap back onto the spout, hand thread the cap until snug.
5. Use the primer bulb to pump gasoline into the engine. Starting the engine without priming the fuel line will cause the engine not to start quickly leading to possible starter damage from excessive cranking.

NOTE: Using a fuel stabilizer (sold separately) when storing gasoline can help prevent problems related to storing ethanol alcohol blended gasoline. Always follow the instructions provided by the fuel stabilizer manufacturer to mix and use correctly.

STARTING THE ENGINE



! WARNING:

OPERATING CHECKLIST

Attempting to start the engine incorrectly or using the pressure washer incorrectly can result in engine and/or pressure washer damage, and may cause serious injury or death. To avoid these hazards, be sure to read, understand, and follow the steps outlined in the OPERATING CHECKLIST section of the owner's manual before starting the engine, and follow all the guidelines for proper use of the pressure washer.



NOTICE

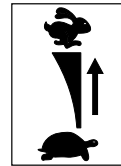
PUMP DAMAGE

Running the pressure washer for more than two minutes without the spray gun trigger pulled will overheat the pump and possibly cause damage. The thermal relief valve will open and spray water to help cool the pump as it overheats. To avoid overheating the pump, shut off the machine if not being used for longer than two minutes.

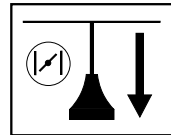
Starting the Engine

1. Complete the steps in the OPERATING CHECKLIST section of this manual before starting the engine. Failure to do so could cause damage to the pump or engine. If needed, refer to your Engine Owner's Manual for specific starting instructions.
2. Prime the fuel line as described under the CHECKING FUEL section of this manual.

3. Slide the throttle to the RUN position (if equipped).

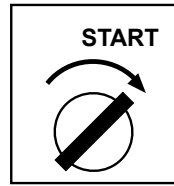


4. Pull the choke out for starting a COLD engine. Push in for a warm engine.



NOTE: The starting position of the choke will vary depending on the engine temperature. If starting a cold engine, move the choke lever towards the CHOKE position. If starting a warm engine, move the choke lever towards the RUN position.

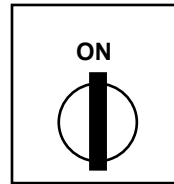
5. Turn the key past the ON position to the START position. Allow the engine to start. If the engine does not start after 5 seconds. Release the key and allow the starter to cool for one minute.



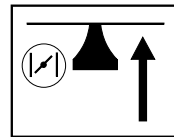
 **WARNING:** **STARTER DAMAGE**

Do not try to continuously crank the engine for more than five seconds at one time. If the engine fails to start, allow the starter to cool for one minute before trying to restart the engine. Continuously trying to start the engine will damage the starter.

6. Once the engine has started, allow the key to return to the ON position.



7. Slowly push the choke lever in as the engine warms. If the engine falters, pull the choke out until the engine has warmed up.



8. Allow engine to warm for 1-2 minutes before using the product.

SHUTTING OFF THE ENGINE



NOTICE **PUMP DAMAGE**

Turning off the water supply to your pump with the engine running will damage the pump. Damage caused by running the pump without water is not covered under warranty. To avoid this hazard always turn off the engine before shutting off the water supply.

1. Set the trigger lock on the spray gun.
2. Slide the throttle to the SLOW position (if equipped).
3. Turn the engine switch to the OFF position.
4. Turn off the water supply.
5. Release the trigger lock then squeeze the spray gun trigger to relieve the pressure in the hose and pump.
6. Allow the engine to cool completely before handling and storage.

OPERATION TIPS

Terms

- PSI - Pounds per square inch (PSI) is the unit to measure the pressure of water. In relation to a pressure washer, the higher the PSI number, the greater the pressure and stripping power produced.
- GPM - Gallons per minute (GPM) is the flow rate of water. In relation to a pressure washer, the greater the GPM, the greater the flow or rinsing power produced.
- CU - Cleaning units express the efficiency of the pressure washer. Cleaning units are calculated by multiply the PSI by the GPM. The higher the CU, the more efficient the pressure washer.

Preparation

- Read all warning and instructions in this and all manuals that came with the pressure washer.
- Remove all toys, bikes, lawn furniture, etc. from the work area if they are not to be cleaned.
- Sweep any loose dirt and debris from the surface you will be pressure washing.
- Cover nearby plants to avoid damaging them with the pressure washer spray.
- Use caution when spraying windows. Always use the white, 40° nozzle and stay at least 4 feet away.
- Lay tarps down to collect paint chips and other debris blown off by the spray. Exterior paints used before 1977 may contain lead and will produce chips that will need to be collected and disposed of at a hazardous waste facility.

Pressure Washing

- A wider spray equals faster cleaning, while a tighter spray equals deeper cleaning.
- Keep the nozzle about 4 feet away from siding to avoid damage.
- Start washing siding at the bottom and work your way up, then rinse from the top down.
- Avoid driving water up behind siding.
- Use overlapping strokes for even cleaning.
- Work in small areas to keep the soap from drying.
- Do not aim the nozzle straight at the surface. Hold the wand at a 45° angle to the surface at a distance that cleans well without causing damage.

Adjusting Pressure

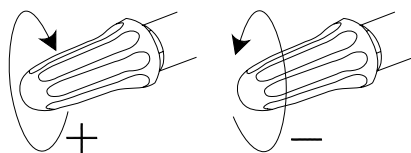
The pressure setting is preset at the factory to achieve optimum pressure and cleaning. If you should need to lower the pressure, it can be accomplished by the following methods.

- Back away from the surface to be cleaned. The further you position the nozzle from the surface to be cleaned, the lower the pressure to reach the surface.
- Change to the white, 40° nozzle. This nozzle produces a lower pressure, wider width spray.

Your unit may be equipped with an additional feature that allows you to adjust the pressure.

To lower the pressure, turn the knob counter-clockwise to the desired pressure.

To return the pressure to the factory setting, turn the knob clockwise until it stops.



NOTE: Do not overtighten the pressure control knob. If overtightened, the knob COULD break causing immediate loss of pressure and costly repairs not covered by the warranty.

TROUBLE SHOOTING

ISSUE	POSSIBLE CAUSE	SOLUTION
<p>Engine will not start.</p> <p>Refer to the Engine Owner's Manual for more engine troubleshooting information.</p>	The fuel tank is empty.	Add fresh fuel.
	Water pressure in the pump is preventing the engine from rotating.	Aim the spray gun in a safe direction then pull the trigger to release water pressure in the pump.
	Engine choke is in the wrong position.	Refer to the STARTING ENGINE section of this manual for the correct choke position.
	The spark plug lead is not attached to the plug.	Connect spark plug lead.
	Engine switch is in the OFF position.	Turn the engine switch to the ON position.
	Engine fuel valve is turned OFF.	Turn fuel valve ON.
	Engine oil is low. If the engine is equipped with a Low Oil Sensor, the engine will not start.	Check engine oil level. Fill per engine manual.
<p>The pressure washer creates low or no water pressure.</p>	There is air trapped in the pump and/or hoses.	Refer to the PURGING THE PUMP section of this manual to remove air from the pump and hoses.
	Water source is insufficient.	Make sure the water source can supply at least 5 GPM at 20 PSI.
	The nozzle is clogged.	Clean nozzle per the MAINTENANCE section of this manual.
	The water inlet screen is clogged.	Clean the water inlet screen per the MAINTENANCE section of this manual.
	The high-pressure hose is too long.	The high-pressure hose should be less than 100 feet in length.
	Engine choke is in the CHOKE position.	Move engine choke to the NO CHOKE position.

ISSUE	POSSIBLE CAUSE	SOLUTION
Will not draw in detergent.	Spray wand not in low pressure.	Insert black “soap” nozzle.
	Detergent filter clogged.	Clean the filter.
	Detergent filter is not submerged in the detergent.	Make sure the filter end of the detergent siphon hose is fully submerged in the detergent.
	Detergent is too thick.	Dilute detergent. The detergent should be the same consistency as water.
	High-pressure hose is too long.	Lengthen the water supply hose and shorten the high-pressure hose.
	Detergent is dried inside of the detergent injector.	Contact customer service at 1-877-362-4271 or at cservice@fna-group.com
Water leaking at pump.	Loose connections.	Tighten the connections.
	Worn or torn O-ring.	Check and replace.
	Piston packing worn.	Contact customer service at 1-877-362-4271 or at cservice@fna-group.com
	Pump head or tubes damaged from freezing.	Contact customer service at 1-877-362-4271 or at cservice@fna-group.com
Pump or nozzle pulsates.	Nozzle obstructed.	Clean nozzle per the MAINTENANCE section of this manual.
Oil leaking from pump.	Loose drain plug.	Tighten.
	Worn drain plug O-ring.	Check and replace.
	Worn fill plug O-ring.	Check and replace.
	Pump oil overfilled.	Check for correct amount.
	Incorrect oil used.	Drain and fill with correct type and amount of oil.
	Vent plug is clogged.	Clean vent plug; blow air through vent to remove blockage. If problem persists, replace the plug.
	Oil seals worn.	Contact customer service at 1-877-362-4271 or at cservice@fna-group.com

MAINTENANCE

For safety reasons, the manufacturer recommends all pressure washer service and repairs be performed by an authorized service center. All warranty replacements or repairs must be performed by an authorized distribution or service center. To find an authorized service center near you, make a warranty claim, or get authorized warranty repair, call 1-877-362-4271 or email cservice@fna-group.com.

It is the responsibility of the owner and/or operator to have all scheduled maintenance completed before operating the pressure washer. Be sure to follow the inspection and maintenance recommendations as listed in all the manuals that came with this unit.

Maintenance

Before each use, check pressure washer for leaks, loose or damaged parts, and any other condition that may affect proper operation. Be sure all safety guards are in place and in proper working order. Inspect all air vents and cooling slots to ensure they are clean and unobstructed. Repair or replace all damaged or defective parts immediately. For safety reasons, the manufacturer recommends all pressure washer service and repairs be performed by an authorized service center. Never attempt to repair a high-pressure hose.

Cleaning the Pressure Washer

Always clean the pressure washer with the engine off and cool. To clean the pressure washer, first use an air compressor set at no more than 25 PSI to clear dirt and debris from the pressure washer surfaces, vents, and cooling slots. Then, wipe the exterior clean with a damp cloth.



NOTICE

CLEANING

Water can damage the pressure washer engine components if allowed to enter through cooling slots or other holes. Damage caused by water intrusion is not covered under warranty. To avoid engine water damage, do not use a pressure washer, garden hose, or any other sources of running water to clean the pressure washer engine, and never submerge the pressure washer engine in any liquids.



NOTICE

CHEMICAL CLEANERS

Using chemical cleaners and/or corrosive liquids can damage the pressure washer seals and internal components. Damage caused by chemical cleaners and corrosive liquids is not covered under warranty. To avoid these hazard, only used approved cleaning chemicals, never use bleach, and always run clean water through the pressure washer after using cleaning chemicals.

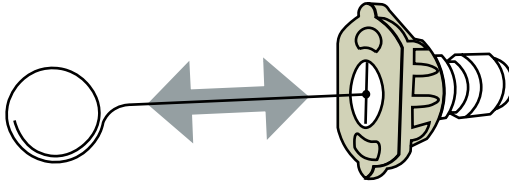
Connections

Hose, spray gun, and pump connections should be cleaned and lubricated with a thin film of lithium grease regularly to prevent o-ring damage and leaks.

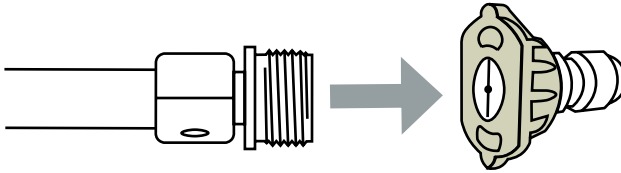
Nozzle Cleaning

If a nozzle becomes clogged, the pump may pulsate and spray patterns could change. If the nozzle is not cleaned, excessive pressure may develop possibly damaging the pump, or other accessories. Inspect nozzles before using them and follow the instructions in this section for the proper nozzle cleaning procedure.

1. Shut off the pressure washer.
2. Turn off the water supply.
3. Point the spray gun in a safe direction and squeeze the trigger to relieve water pressure.
4. Set the trigger lock.
5. Remove the nozzle from the lance quick connector.
6. Clear any obstructions from the nozzle by inserting the nozzle cleaning tool provided.



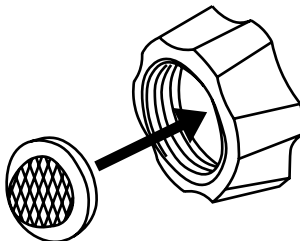
7. Rinse any loose debris from the nozzle by directing a running garden hose into the output of the nozzle for at least 30 seconds.



Water Inlet Filter

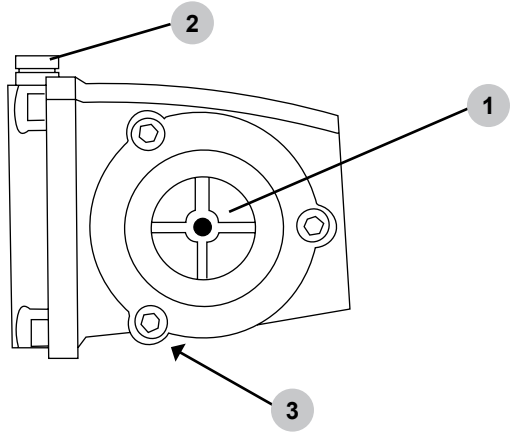
Before each use, check the inlet filter and clean by following the steps below. Never operate the pressure washer without the inlet filter properly installed.

1. Remove the filter from the garden hose coupler.
2. Use a water from a running garden hose to clean both sides of the filter.
3. Insert the cleaned filter into the pump inlet with the convex side facing out.



Pump Maintenance

Note: The pump was filled with oil at the factory. The preferred oil is SIMPSON® Premium Pump Crankcase Oil. If this oil is not available, an SAE 15W-40 oil may be used. Change the oil after the first 50 hours of operation and every 100 hours thereafter or every 3 months.



1. Oil sight glass
2. Oil fill plug / vent cap
3. Oil drain plug (not shown)

How to change the pump oil

1. Loosen the pump oil fill plug / vent cap.
2. Place a container under the oil drain plug.
3. Remove the oil drain plug.
4. After the oil has drained, insert the oil drain plug; tighten securely.
5. For AAA® pumps, refill with SIMPSON® Premium Pump Crankcase Oil. If this oil is not available, an SAE 15W-40 oil may be used.
For CAT Pumps®***, refill using a non-detergent hydraulic oil (ISO68).
6. Make sure the oil level meets but does not exceed the dot in the center of the sightglass.
7. Insert the oil fill plug; tighten securely.

*** CAT Pumps® is a registered trademark of Diversified Dynamics Corporation.

Engine Maintenance

Before each use, check engine for loose or damaged parts, signs of oil or fuel leaks, and/or any other condition that may affect proper operation. Always keep all safety guards in place and in proper working order. Repair or replace all damaged or defective parts immediately.

For safety reasons, the manufacturer recommends all engine service and repairs (including emission control devices and systems) be performed by an authorized service center. All warranty replacements or repairs must be performed by an authorized distribution or service center. To find an authorized service center near you, obtain information about how to make a warranty claim, or to make arrangements for authorized warranty repairs, please call 1-877-362-4271 or email cservice@fna-group.com.

For all other information on engine maintenance, refer to the engine manual.

STORAGE AND TRANSPORTATION

Storing for Two Months or Less *(or when freezing temperatures are expected).*

1. Fill fuel tank per the OPERATING CHECKLIST section of this manual then add a fuel stabilizer per the manufacturer's recommendations. **NOTE:** Using a fuel stabilizer (sold separately) when storing gasoline may help prevent problems related to alcohol blended fuels in outdoor power equipment engines. Always follow the instructions provided by the fuel stabilizer manufacturer to mix and use correctly.
2. Complete the steps in the OPERATING CHECKLIST, CONNECTING HOSES, and PURGING AIR FROM THE PUMP sections of this manual.
3. Start the engine per the STARTING section of this manual and run it for ten (10) minutes to allow the stabilized fuel to circulate through the entire fuel system. Be sure to squeeze the trigger to keep water flowing through the pump and spray gun to avoid overheating.
4. Turn the engine switch to the OFF position.
5. Shut off the water supply. Remove the water supply hose.
6. Squeeze the spray gun trigger to relieve the pressure in the hose and pump then drain the high pressure hose. Disconnect the high-pressure hose from the pump and spray gun.
7. Allow the engine to cool completely.
8. Protect the pump by using SIMPSON® Pump Guard per the USING PUMP GUARD section of this manual.
9. Store the pressure washer in a clean, dry area out of direct sunlight.

Storing for More Than Two Months

1. Make sure the engine is completely cool.
 2. Remove all the fuel from fuel tank, fuel lines, and carburetor by loosening the drain screw at the bottom of the carburetor, and draining fuel into an appropriate container.
 3. Change the engine oil.
 4. Remove any dirt and debris from the area around the spark plug, then use a spark plug socket or wrench to remove the spark plug.
 5. Pour .5 ounces (15 ml) of new oil into the engine combustion chamber, then slowly crank the engine by pulling the recoil two (2) times to distribute oil and lubricate the cylinder.
 6. Install the spark plug.
 7. Drain the high-pressure hose.
 8. Using SIMPSON Pump Guard or an equivalent is recommended when storing the unit for more than 30 days and/or when freezing temperatures are expected.
 9. Store the pressure washer in a clean, dry area out of direct sunlight.
-

Transportation



TRANSPORTATION

Leaving the pressure washer in an enclosed space where temperatures can rise on a transport vehicle may cause fuel to vaporize and possibly explode. Fire and explosions can cause severe burns and/or death. To avoid leaking or vaporizing fuel, secure the pressure washer in a well ventilated area out of direct sunlight and other heat sources and do not transport the pressure washer on rough roads unless the fuel has been drained beforehand.

1. Turn the engine control switch to the OFF position.
2. To prevent fuel spillage when transporting, keep the pressure washer upright on a level surface.
3. When loaded onto a vehicle, secure pressure washer with straps or tie downs to prevent tip over and damage from sliding.

NOTE: Do not operate the pressure washer while it is on the transport vehicle.

USING SIMPSON® PUMP GUARD



NOTICE

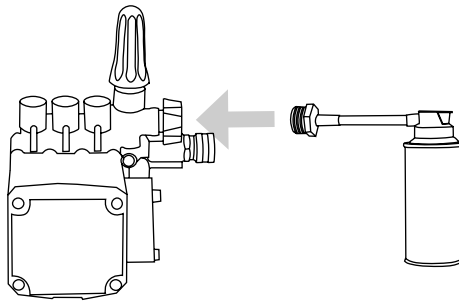
PUMP DAMAGE

Leaving water inside the pump during freezing weather will cause severe damage to the pump. To avoid costly damage, always treat the pump with SIMPSON® Pump Guard to remove the trapped water and to fill the pump with a lubricating, antifreeze solution.

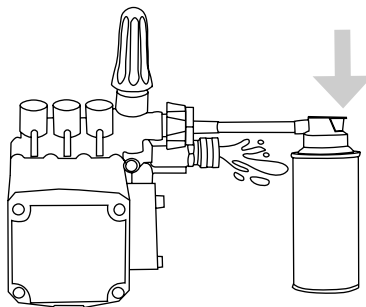
SIMPSON® Pump Guard (purchase separately) is formulated to protect your pump during long-term storage and from freezing damage. Pump Guard should be used throughout the season to keep the seals pliable and well lubricated. Before storing the unit for winter or for when there is a chance of freezing weather, use pump guard to remove all traces of water from the internal cavities while filling them with an antifreeze solution. Pump Guard is insurance for your investment, use it.

Simply use Pump Guard by following these easy steps:

1. Screw the Pump Guard adapter into the garden hose input on the pump.



2. Press and hold down on the button until all the water and the Pump Guard starts to come out of the high pressure port.



3. Unscrew the Pump Guard from the pump then prepare the pressure washer for storage as outlined in STORAGE AND TRANSPORTATION.

COMMERCIAL LIMITED WARRANTY

WARRANTY COVERAGE TERMS:

The manufacturer of this product agrees to repair or replace designated parts that prove defective within the warranty period listed below at the manufacturer's sole discretion. Specific limitations / extensions and exclusions apply.

This warranty covers defects in material and workmanship and not parts failure due to normal wear, depreciation, abuse, accidental damage, negligence, improper use, maintenance, water quality or storage. To make a claim under the terms of the warranty, all parts said to be defective must be retained and available for return upon request to a designated Warranty Service Center for warranty inspection. The judgments and decisions of the manufacturer concerning the validity of warranty claims are final.

These warranties pass through to the end user and are non-transferable. As a factory authorized and trained Warranty Service Center, the factory will honor the terms of all component warranties and satisfy claims of the appropriate warranty provisions.

This warranty replaces all other warranties, express or implied, including without limitation and warranties of merchantability or fitness for a particular purpose and all such warranties are hereby disclaimed and excluded by the manufacturer. The manufacturer's warranty obligation is limited to repair and replacement of defective products and provided herein and the manufacturer shall not be liable for any further loss, damages, or expenses - including damages from shipping, accident, abuse, acts of God, misuse, or neglect. Neither is damage from repairs using parts not purchases from the manufacturer or alterations performed by non-factory authorized personnel. Failure to install and operate equipment according to the guidelines put forth in the instruction manual shall void warranty.

THIS WARRANTY DOES NOT COVER:

Damage resulting from shipping (claims must be filed with freighter), accident, abuse, act of God, misuse, or neglect. This warranty also does not cover damage from repairs or alterations performed by non-factory authorized personnel or failure to install and operate equipment according to the guidelines put forth in the instruction manual. The manufacturer will not be liable to any persons for consequential damage, for personal injury, or for commercial loss.

RESPONSIBILITY OF ORIGINAL PURCHASER (INITIAL USER):

To process a warranty claim on your SIMPSON® pressure washer, report the concern to 1-877-362-4271 or cservice@FNA-GROUP.COM for authorization and direction to the nearest authorized service center in your area. Retain original cash register sales receipt as proof of purchase for warranty work. Use reasonable care in the operation and maintenance of the product as described in the Operator's Manual(s).

WHAT THE WARRANTY DOES NOT COVER:

- Freight damage
- Damage due to chemical deterioration, salt water, rust or corrosion
- Damage caused by parts or accessories not obtained from an authorized dealer or not approved by the manufacturer
- Normal wear of moving parts or components affected by moving parts
- Consumable parts such as: Fuel filter, air filter, spark plug(s), recoil starter rope, oil and lubricant(s)
- Normal periodic maintenance work such as carburetor cleaning and engine oil draining
- Freeze damage

ENGINE AND EMISSIONS CONTROL SYSTEM:

Covered by the engine manufacturer warranty. See engine manual for further details.

HIGH-PRESSURE PUMP (DEFECTS IN MATERIAL AND WORKMANSHIP):

Seven (7) years from the date of purchase.

FRAME (DEFECTS IN MATERIAL AND WORKMANSHIP):

Ten (10) years from the date of purchase.

ACCESSORIES (DEFECTS IN MATERIAL AND WORKMANSHIP):

Including nozzles, hoses, spray guns, wands, tires, feet
Ninety (90) days from the date of purchase.

NOTES

THIS PAGE WAS INTENTIONALLY LEFT BLANK

THIS PAGE WAS INTENTIONALLY LEFT BLANK



READ THIS MANUAL CAREFULLY BEFORE OPERATION

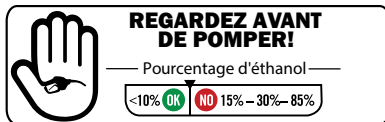
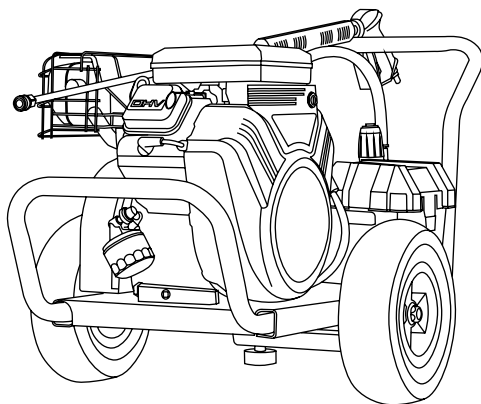
Failure to follow the instructions and safety precautions in this manual can result in property damage, serious injury and/or death.

SAVE THIS MANUAL FOR FUTURE REFERENCE



LAVEUR SOUS PRESSION

GUIDE D'UTILISATION ET D'ENTRETIEN



LIRE ATTENTIVEMENT CE GUIDE AVANT L'UTILISATION

Le fait de ne pas suivre les instructions et les précautions de sécurité de ce guide peut entraîner des dommages matériels, des blessures graves et/ou la mort.

Si le laveur sous pression ne fonctionne pas ou si des pièces sont manquantes ou endommagées, veuillez **NE PAS LE RETOURNER AU LIEU D'ACHAT**. Contactez notre service à la clientèle par téléphone au **1 877 362-4271** ou par courriel à **cservice@fna-group.com**

CONSERVEZ CE GUIDE POUR RÉFÉRENCE ULTÉRIEURE

REMARQUE : Les photographies et les schémas utilisés dans ce guide sont donnés à titre indicatif uniquement et peuvent ne pas représenter votre modèle spécifique.

REMARQUES

CETTE PAGE A ÉTÉ INTENTIONNELLEMENT LAISSÉE BLANCHE

CONSERVER CE GUIDE POUR UNE UTILISATION ULTÉRIEURE

Conservez ce guide pour toute référence ultérieure. Ce guide doit être considéré comme faisant partie intégrante du produit et doit être conservé avec celui-ci. Ce guide doit être mis à la disposition de toute personne utilisant le(s) produit(s) qu'il couvre. Ce guide doit être conservé avec le(s) produit(s) concerné(s) en cas de vente à un nouveau propriétaire. Si le guide est endommagé, perdu ou inutilisable, vous pouvez télécharger une nouvelle copie à partir des pages du produit à l'adresse www.simpsoncleaning.com ou contacter le service clientèle en appelant le 1 877 362-4271.

Notez le numéro de modèle, le numéro de série et la date d'achat de ce produit dans les espaces prévus ci-dessous, puis conservez ce guide avec le(s) reçu(s) d'achat pour toute référence ultérieure.

Numéro de
modèle :

Numéro de
série :

Date d'achat :

TABLE DES MATIÈRES

INSTRUCTIONS DE SÉCURITÉ	4
Lire ce guide avant l'utilisation	4
Instructions supplémentaires	4
Symboles d'alerte de danger	4
CLAUSES DE NON-RESPONSABILITÉ	6
ÉQUIPEMENT DE PROTECTION INDIVIDUELLE	6
DÉBALLAGE	7
ASSEMBLAGE	7
Assembler le pistolet de pulvérisation	7
Ajout du bouchon de reniflard de la pompe	7
Placer les buses dans les supports	8
CONNEXIONS BATTERIE	8
EMPLACEMENT DES COMPOSANTS	9
RACCORDEMENT DES TUYAUX	11
PURGER L'AIR DE LA POMPE	12
BUSES	13
Sélection de la buse	13
Installation de la buse	13
UTILISATION DE PRODUITS CHIMIQUES	14
LISTE DE CONTRÔLE DE FONCTIONNEMENT	15
Emplacement	15
Fonctionnement à haute altitude	16
Conditions de fonctionnement	16
Vérification de l'huile moteur	17
Vérification du carburant	19

DÉMARRAGE DU MOTEUR	21
ARRÊT DU MOTEUR	23
CONSEILS D'UTILISATION	23
Termes	23
Préparation	23
Lavage sous pression	24
Réglage de la pression	24
DÉPANNAGE	25
ENTRETIEN	27
Entretien	27
Nettoyage du laveur sous pression	27
Raccords	28
Nettoyage des buses	28
Filtre d'entrée d'eau	29
Entretien de la pompe	29
Entretien du moteur	30
ENTREPOSAGE ET TRANSPORT	30
Entreposage pendant deux mois ou moins	30
Entreposage pendant plus de deux mois	31
Transport	31
UTILISATION DE LA PROTECTION DE POMPE SIMPSON®	32
GARANTIE	33

INSTRUCTIONS DE SÉCURITÉ



LIRE CE GUIDE AVANT L'UTILISATION

Ce guide contient des informations et des instructions de sécurité importantes. **N'utilisez pas** ce produit avant d'avoir lu et compris toutes les instructions de sécurité, d'utilisation et d'entretien figurant dans ce guide. Le fait de ne pas suivre les instructions et les précautions de sécurité de ce guide peut entraîner des dommages matériels, des blessures graves et/ou la mort.

REMARQUE : Les avertissements et les précautions abordés dans ce guide ne peuvent pas couvrir toutes les conditions et situations pouvant se produire. L'utilisateur doit comprendre que la sensibilisation et la prudence sont des facteurs qui ne peuvent pas être intégrés à ce produit et qu'ils doivent donc être exercés par l'utilisateur.



INSTRUCTIONS SUPPLÉMENTAIRES

En plus de ce guide, lisez attentivement toutes les instructions supplémentaires fournies sur et avec le produit, l'équipement annexe, les accessoires et le moteur qui alimente le produit. Portez une attention particulière à toutes les règles de sécurité supplémentaires et aux instructions concernant les procédures de démarrage, d'utilisation et d'arrêt. Utilisez toujours les vêtements de protection recommandés qui peuvent être nécessaires pour utiliser l'équipement en toute sécurité.



SYMBOLES D'ALERTE DE DANGER

Veillez à bien comprendre les symboles de sécurité et les définitions énumérés ci-dessous. Chaque symbole contient l'un des quatre mots suivants : **DANGER**, **AVERTISSEMENT**, **ATTENTION**, **AVIS**, indiquant différents niveaux de risque. Ces symboles sont utilisés tout au long de ce guide et sont suivis d'informations sur un danger précis, les conséquences de ce danger et des instructions sur la façon d'éviter ce danger. Si vous ne tenez pas compte de ces symboles et ne suivez pas les instructions qui leur sont fournies, vous risquez de subir des dommages matériels, des blessures et/ou la mort.

 **DANGER:**

Indique une situation dangereuse imminente qui, si elle n'est pas évitée, entraînera des dommages matériels, des blessures graves et/ou la mort.

 **AVERTISSEMENT:**

Indique une situation potentiellement dangereuse qui, si elle n'est pas évitée, peut entraîner des dommages matériels, des blessures graves et/ou la mort.

 **ATTENTION:**

Indique une situation dangereuse qui, si elle n'est pas évitée, peut entraîner des dommages matériels et/ou des blessures légères à modérées.

AVIS

Indique des informations considérées comme importantes, mais qui ne sont pas directement liées au danger.

CAUTION



TRIPPING HAZARD

Hoses may pose a tripping hazard that can cause injuries resulting from a fall

ATTENTION:

RISQUES DE GLISSEMENT ET DE TRÉBUTS

Lors du lavage à haute pression dans les espaces publics, des panneaux doivent être affichés indiquant de rester à l'écart de la zone pendant le lavage à haute pression. De plus, des panneaux doivent être affichés indiquant que la surface peut être glissante et qu'il peut y avoir des risques de trébuchement.

Une attention particulière doit être portée à la sécurité non seulement de l'opérateur du nettoyeur haute pression, mais également des personnes qui peuvent se trouver à proximité de la zone à nettoyer. La meilleure façon d'avertir les personnes sans méfiance est d'utiliser des panneaux de signalisation et des barrières.

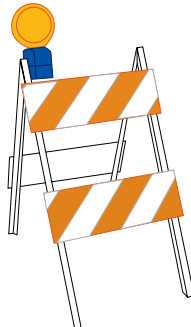
Les barrières peuvent être aussi simples que des cônes de signalisation en plastique ou des barricades à l'aide de ceintures de barrière autour de la zone à nettoyer. N'oubliez pas que le lavage à pression peut déloger une chaussée faible ou cassée, la transformant en projectiles pouvant blesser d'autres personnes. Garder les gens à l'écart de la zone est le meilleur moyen d'éviter les blessures.

La chaussée mouillée peut être glissante pour les personnes sans méfiance, causant des blessures causées par des glissades et des chutes. Les flexibles à haute et basse pression peuvent être des risques de trébuchement. Séparer la zone et placer une signalisation appropriée peut réduire les blessures.

Exemples de signes



Exemples de barrières



AVIS

Cet appareil n'est pas destiné à être utilisé par des personnes (y compris des enfants) dont les capacités physiques, sensorielles ou mentales sont réduites ou qui manquent d'expérience et de connaissances, à moins qu'elles n'aient bénéficié d'une surveillance ou de formation concernant l'utilisation de l'appareil de la part d'une personne responsable de leur sécurité.

Les enfants doivent être surveillés afin de s'assurer qu'ils ne jouent pas avec l'appareil.



AVERTISSEMENT DE LA PROPOSITION 65 DE LA CALIFORNIE

Ce produit et les gaz d'échappement du moteur peuvent vous exposer à des produits chimiques connus dans l'État de Californie pour provoquer des cancers, des anomalies congénitales ou d'autres problèmes de reproduction. Pour plus d'informations sur la proposition 65 de l'État de Californie, consultez le site www.P65Warnings.ca.gov.



AVERTISSEMENT SUR LES HYDROCARBURES AROMATIQUES POLYCYCLIQUES

L'élément du filtre à air et l'ensemble de la boîte à air peuvent contenir des hydrocarbures aromatiques polycycliques (HAP). Certains HAP peuvent provoquer le cancer. Pour éviter toute exposition aux HAP, portez des gants lors de l'entretien du filtre à air.

CLAUSES DE NON-RESPONSABILITÉ

- Tous les renseignements dans cette publication sont basés sur les derniers renseignements disponibles sur le produit au moment de l'impression. Le groupe FNA se réserve le droit de mettre à jour, de modifier et/ou d'améliorer le produit et ce document à tout moment, sans préavis et sans encourir aucune obligation.
- Ce guide peut concerner plusieurs machines. Les images et les figures du guide ne doivent être utilisées qu'à titre de référence. Il peut y avoir des différences entre votre produit et les images, les schémas et les diagrammes de ce guide.

ÉQUIPEMENT DE PROTECTION INDIVIDUELLE (EPI)

Il est important de comprendre quel équipement de protection individuelle (EPI) doit être utilisé lors de l'utilisation de votre laveur sous pression. Vous trouverez ci-dessous une liste des équipements de protection individuelle qui doivent être utilisés à tout moment lors de l'utilisation d'un laveur sous pression.

Ouïe : Bouchons d'oreilles ou casques pour protéger votre ouïe.

Vision : Lunettes de sécurité pour protéger vos yeux.

Vêtements : Pantalon long pour protéger vos jambes des débris volants.

Chaussures : Chaussures couvrant entièrement vos pieds pour vous protéger des débris et des projections.

DÉBALLAGE

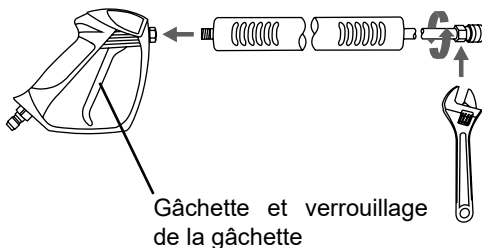
Suivez les étapes décrites dans cette section pour déballer et assembler votre laveur sous pression. Si vous avez des questions concernant le déballeage ou l'assemblage de votre laveur sous pression, veuillez avoir votre numéro de modèle et votre numéro de série à portée de main, puis contactez le service clientèle au 1 877 362-4271 ou par courriel à cservice@fna-group.com.

1. Placez la boîte d'expédition sur une surface plane et solide.
2. Découpez soigneusement le dessus du carton.
3. Coupez soigneusement chaque coin du carton de haut en bas.
4. Dépliez chaque côté du carton à plat sur le sol.
5. Retirez le contenu de l'emballage.

ASSEMBLAGE

Assembler le pistolet de pulvérisation

Enfilez la lance à la main dans le sens des aiguilles d'une montre dans le pistolet. Assurez-vous de ne pas croiser les filetages du pistolet et de la lance. À l'aide d'une clé à molette, serrez la lance en plaçant la clé sur les méplats du raccord rapide de la buse.



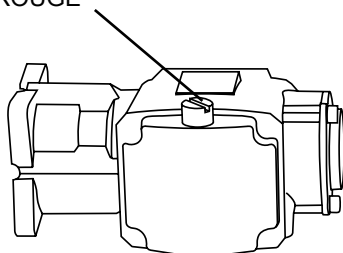
AVERTISSEMENT! Les filetages du coupleur de la lance et du pistolet peuvent être facilement croisés, ce qui entraîne un assemblage incorrect. Un assemblage incorrect du pistolet et de la lance peut entraîner des blessures. Ne pas utiliser si les filetages du coupleur du pistolet et/ou de la lance sont croisés.

Ajout du bouchon de reniflard de la pompe (s'il y a lieu)

Un bouchon d'expédition ROUGE se trouve dans la pompe et doit être remplacé par un bouchon de reniflard NOIR. Le bouchon est facile à remplacer en suivant les étapes suivantes :

1. À l'aide d'un tournevis à lame, retirez le bouchon d'expédition ROUGE du haut de la pompe.
2. Enfilez à la main le bouchon de reniflard NOIR dans la pompe.
3. Serrez le bouchon avec vos doigts.

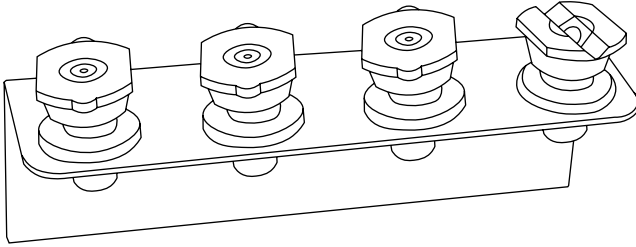
Bouchon d'expédition ROUGE



Bouchon de reniflard NOIR

Placer les buses dans les supports

Placer les buses dans le porte-buse situé sur la plaque de base du nettoyeur haute pression.



! AVERTISSEMENT:

LISTE DE CONTRÔLE DE FONCTIONNEMENT

Tenter de démarrer le moteur ou d'utiliser le laveur sous pression incorrectement peut endommager le moteur et/ou le laveur sous pression et provoquer des blessures graves ou la mort. Pour éviter ces risques, ne manquez pas de lire, comprendre et respecter les étapes décrites dans la section LISTE DE CONTRÔLE DE FONCTIONNEMENT du manuel de l'utilisateur avant de démarrer le moteur et de suivre toutes les recommandations pour l'utilisation correcte du laveur sous pression.

CONNEXIONS BATTERIE

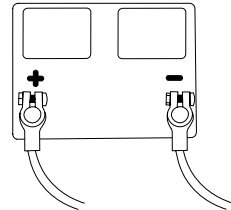


! DANGER:

RISQUE DE BRÛLURES ACIDES

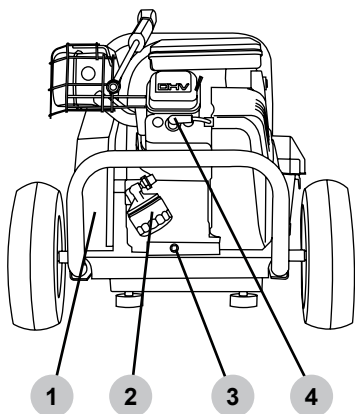
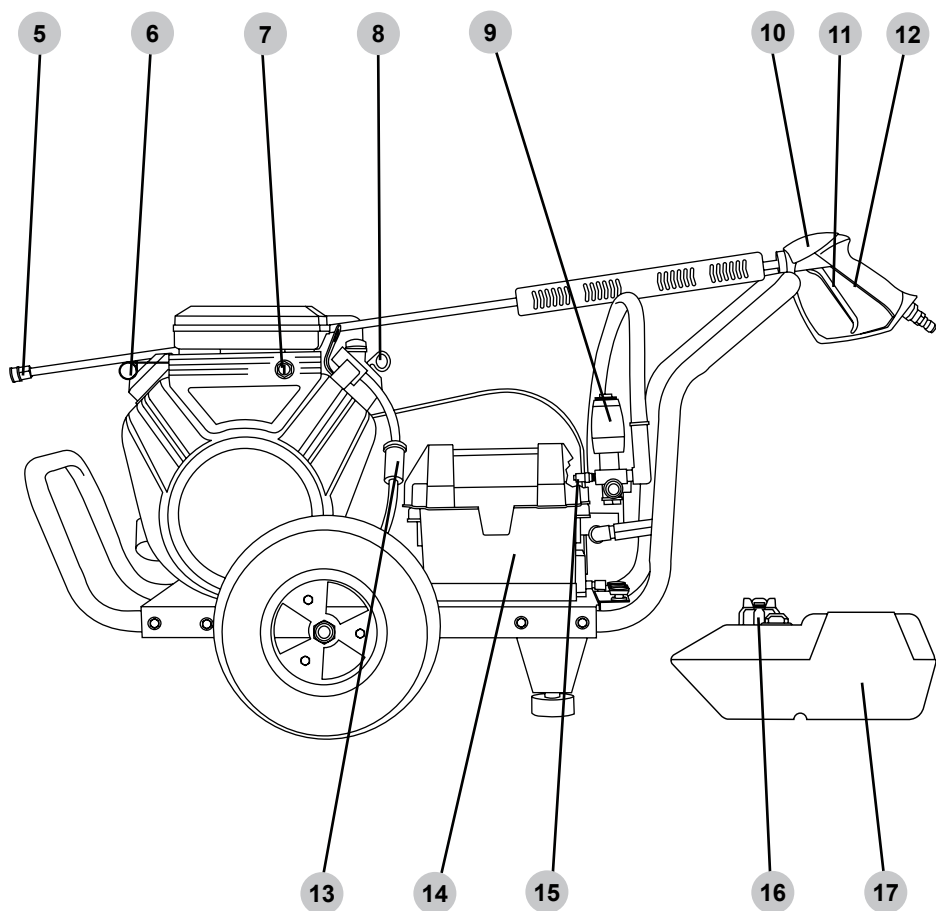
Le nettoyeur haute pression n'est pas livré avec une batterie. Vous devez installer une batterie de taille U1 avant d'utiliser le nettoyeur haute pression.

1. Retirez le couvercle du boîtier de la batterie.
2. Placez soigneusement la batterie dans le boîtier de la batterie.
3. Placez le câble rouge positif (+) de la batterie sur la borne positive (+) de la batterie. Serrez la borne.
4. Placer le câble noir négatif (-) de la batterie sur la borne négative (-) de la batterie. Serrez la borne.
5. Remplacez le couvercle sur le boîtier de la batterie.

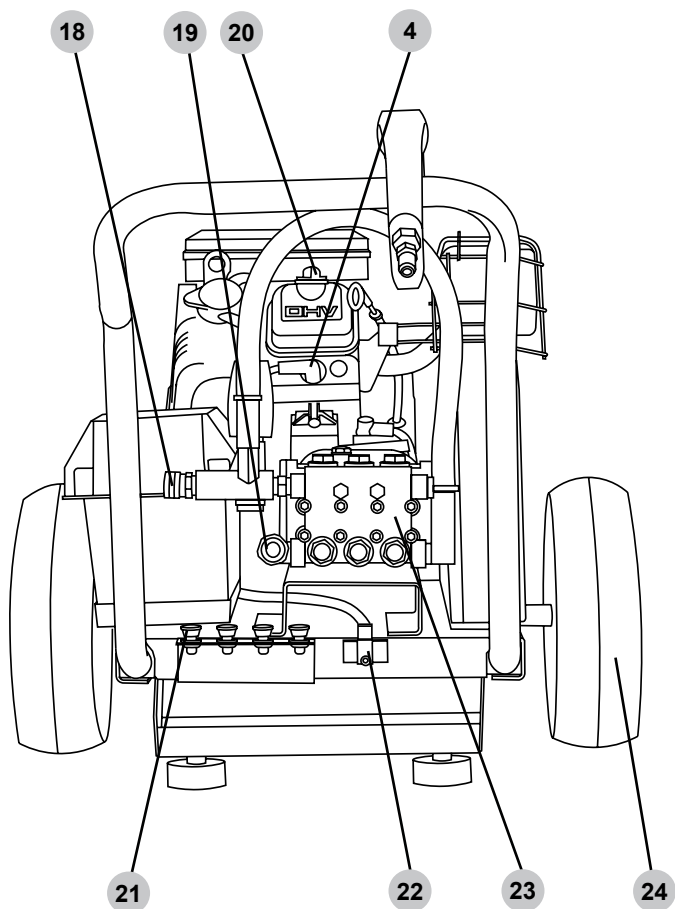


AVERTISSEMENT! Retirer toujours le câble de batterie noir négatif (-) en premier et connectez toujours le câble de batterie noir négatif (-) en dernier.

EMPLACEMENT DES COMPOSANTS



1. Garde-courroie
2. Filtre à l'huile
3. Bouchon de vidange d'huile de moteur
4. Bougie d'allumage
5. Raccord rapide de la lance d'arrosage
6. Starter moteur
7. Clé de démarrage du moteur
8. Jauge d'huile moteur
9. Bouton de commande du déchargeur
10. Pistolet de pulvérisation
11. Gâchette du pistolet de pulvérisation
12. Verrouillage de la gâchette du pistolet de pulvérisation

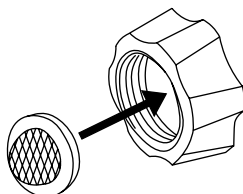


- 13. Filtre à carburant du moteur
- 14. Boîtier de batterie
- 15. Soupape de sûreté thermique
- 16. Bouchon du réservoir de carburant
- 17. Réservoir de carburant hors-bord
- 18. Sortie de la pompe haute pression
- 19. Coupleur de tuyau d'arrosage et filtre d'entrée d'eau
- 20. Bouchon de remplissage d'huile
- 21. Porte-buses
- 22. Connecteur rapide de conduite de carburant
- 23. Pompe
- 24. Roue

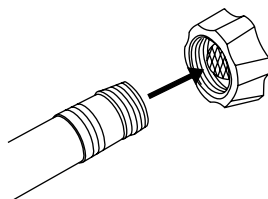
RACCORDEMENT DES TUYAUX

Avant de raccorder un tuyau d'alimentation en eau, assurez-vous que l'alimentation en eau est capable de fournir une source ininterrompue d'eau propre et froide à un débit minimum de 5 gallons par minute (GPM) et 20 livres par pouce carré (PSI) de pression. Une fois que l'alimentation en eau est assurée, suivez les instructions ci-dessous pour connecter le tuyau d'alimentation en eau et le tuyau haute pression au laveur sous pression.

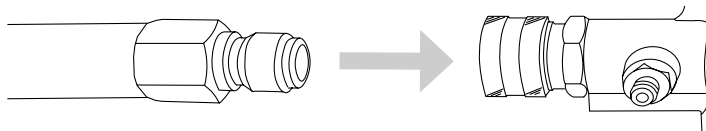
1. Vérifiez que la grille d'entrée est exempte de toute saleté ou débris et qu'elle est en place avec le côté convexe vers l'extérieur.



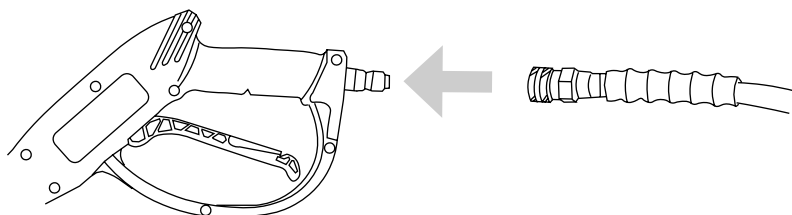
2. Ouvrez l'alimentation en eau et faites-la fonctionner pendant 30 secondes pour purger les débris du tuyau d'alimentation. Coupez ensuite l'arrivée d'eau et vissez le boyau d'eau dans l'entrée de la pompe.



3. Tout en tirant vers l'arrière sur le collier de sortie de la pompe, insérez le raccord du tuyau et relâchez le collier. Tirez doucement sur le tuyau pour vous assurer qu'il est bien verrouillé.



4. Tout en tirant vers l'arrière sur le collier de sortie du tuyau, insérez le raccord du pistolet et relâchez le collier. Tirez doucement sur le tuyau pour vous assurer qu'il est bien verrouillé.



PURGER L'AIR DE LA POMPE



AVIS

PURGE DE LA POMPE

L'utilisation d'une pompe de laveur sous pression sans eau endommage sévèrement les joints de la pompe ainsi que d'autres composants internes. Pour éviter ce risque, vérifiez de l'alimentation en eau est ininterrompue au moins 5 GPM à 20 PSI et purgez toujours l'air de la pompe de votre laveur sous pression avant de démarrer le moteur.



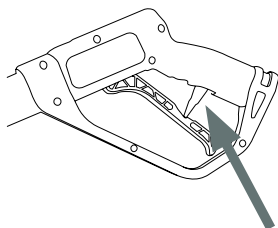
AVERTISSEMENT:

BLESSURE PAR INJECTION

Les hautes pressions créées par un laveur sous pression peuvent provoquer des blessures par injection de liquide, des lacérations graves, des amputations et/ou la mort. Pour éviter ces dangers, orientez toujours le pistolet de pulvérisation et la lance dans une direction sécuritaire et ne tentez jamais de toucher une fuite dans un tuyau ou un raccord sous haute pression.

Une pompe de laveur sous pression est conçue pour fonctionner avec de l'eau qui la traverse. L'eau lubrifie et refroidit les composants internes de la pompe. L'utilisation d'une pompe de laveur sous pression sans eau endommage sévèrement les joints de la pompe ainsi que d'autres composants internes. Les dommages causés par le fonctionnement d'une pompe de laveur sous pression sans eau ne sont pas couverts par la garantie. Veillez à suivre les instructions ci-dessous pour purger correctement l'air de votre pompe de laveur sous pression avant de démarrer le moteur.

1. Raccordez tous les tuyaux en suivant les étapes décrites dans la section **RACCORDEMENT DES TUYAUX** de ce guide, puis ouvrez la source d'eau froide.
2. Orientez le pistolet de pulvérisation dans une direction sécuritaire et maintenez la gâchette enfoncée pendant au moins 30 secondes ou jusqu'à ce que l'eau coule régulièrement et que tout l'air soit purgé de la pompe et des boyaux.
3. Vérifiez l'absence de fuites dans les tuyaux et les raccords. Si vous trouvez des fuites, arrêtez la machine, dirigez le pistolet de pulvérisation dans une direction sécuritaire et appuyez sur la gâchette pour relâcher toute pression accumulée dans le système. N'essayez jamais de toucher une fuite dans un tuyau ou un raccord haute pression. N'essayez jamais de réparer un tuyau haute pression.
4. Enclenchez le verrou de la gâchette.



BUSES

Sélection de la buse

Les buses fournies avec le laveur sous pression ont des jets spécifiques conçus pour nettoyer différentes surfaces. L'utilisation d'une buse incorrecte peut endommager les surfaces. Consultez le tableau ci-dessous pour sélectionner la buse correcte avant d'utiliser le laveur sous pression. **REMARQUE** : La sélection des buses incluses peut varier selon les modèles de laveurs sous pression.

Couleur	5-N-1 (Si équipé)	Modèle de pulvérisation	Utilisations	Surfaces
Rouge	0° HIGH PRESSURE	0°	Nettoyage ponctuel de surfaces dures, non peintes et des zones en hauteur	Métal et béton non peint NE PAS utiliser sur le bois.
Jaune	15° HIGH PRESSURE	15°	Nettoyage intense des surfaces non peintes	Grilles, allées, trottoirs en béton et en brique, brique et stuc non peints
Vert	25° HIGH PRESSURE	25°	Buse de nettoyage standard pour la plupart des applications	Outils de chantier, trottoirs, meubles de jardin, revêtement non peint, stuc, caniveaux, avant-toits, surfaces en béton et brique
Blanc	40° HIGH PRESSURE	40°	Nettoyage des surfaces peintes ou délicates	Revêtements pour automobiles, camions, véhicules récréatifs, bateaux, bois, briques peintes, stucs peints, vinyle et revêtements peints
Noir	SOAP LOW PRESSURE	Savon	Application de solutions de nettoyage	Sécuritaire sur toutes surfaces. Vérifiez toujours la compatibilité des solutions de nettoyage avant l'emploi.



AVIS

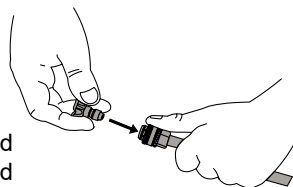
DOMMAGES DE PULVÉRISATION

La pulvérisation sous haute pression peut endommager les plantes et autres surfaces. Pour éviter de causer des dommages, couvrez les plantes avant de pulvériser à proximité, consultez le tableau Sélection de la buse dans ce guide pour connaître la sélection de la buse correcte et testez les surfaces avant de pulvériser pour vérifier si elles sont suffisamment robustes pour supporter une pulvérisation sous haute pression.

Installation de la buse

Si le moteur est en marche, assurez-vous que le verrou de la gâchette est en position verrouillée avant de retirer et d'installer les buses.

Pour placer une buse dans la lance d'arrosage, tirez le raccord rapide vers l'arrière, insérez la buse, puis relâchez le raccord pour qu'il se remette en place. Une fois installée, tirez sur la buse pour vous assurer qu'elle est bien fixée.



UTILISATION DE PRODUITS CHIMIQUES (le cas échéant)

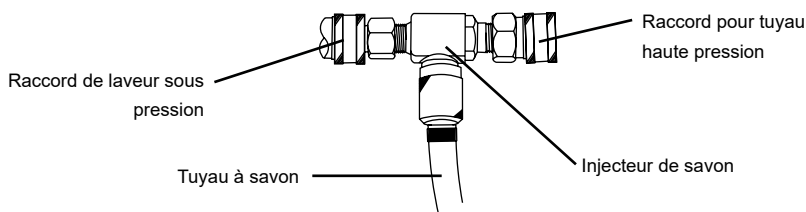


AVIS

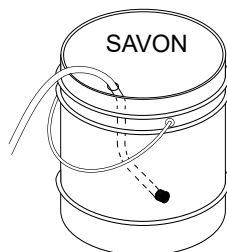
LIQUIDES VOLATILS

Le lavage sous pression avec des liquides volatils, inflammables ou corrosifs peut endommager le laveur sous pression et causer un incendie ou une explosion entraînant des blessures graves et/ou la mort. Pour éviter ces dangers, utilisez exclusivement des détergents et substances chimiques approuvés, ne tentez pas de laver sous pression avec des liquides volatils, inflammables ou corrosifs et n'utilisez JAMAIS de chlore.

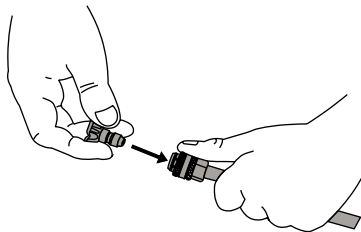
1. Assurez-vous que l'injecteur de savon extérieur est connecté à la sortie haute pression du laveur.



2. Placez l'extrémité filtrée du tuyau de détergent dans un contenant de détergent.



3. Si le moteur est en marche, assurez-vous que le verrou de la gâchette est en position verrouillée avant de retirer et d'installer les buses.
4. Insérez la buse noire dans la lance d'arrosage conformément à la section Installation de la buse de ce guide. **REMARQUE** : Les détergents ne sont pas siphonnés si la buse noire n'est pas installée sur la lance de pulvérisation.



5. Après avoir utilisé du détergent, placez l'extrémité filtrée du boyau de détergent dans un contenant d'eau propre et actionnez le laveur sous pression pour tirer l'eau propre à travers le boyau et pompez jusqu'à ce que le système soit soigneusement rincé. La pompe peut être endommagée si du détergent ou d'autres substances chimiques demeurent dans la pompe. Les dommages de la pompe dus au détergent et au résidu chimique ne sont pas couverts par la garantie.

LISTE DE CONTRÔLE DE FONCTIONNEMENT

Emplacement

Placez le laveur sous pression sur une surface plane à l'extérieur dans un endroit bien ventilé avant de l'utiliser. Gardez tous les matériaux inflammables à au moins cinq pieds (1,5 mètres) de tous les côtés du produit.

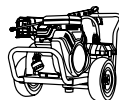
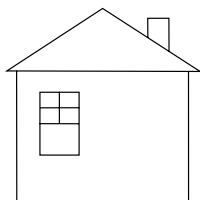
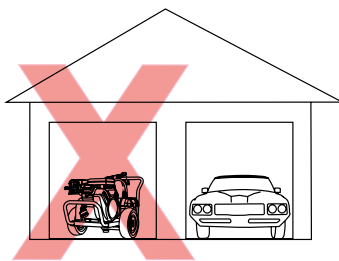
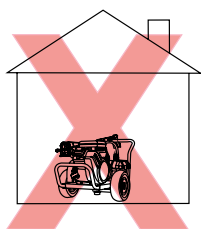
- N'utilisez jamais le laveur sous pression à l'intérieur d'une maison, d'un garage ou de tout autre type d'enceinte, même si les portes et les fenêtres sont ouvertes. Faites fonctionner le moteur à une distance d'au moins à 20 pieds (6 mètres) des fenêtres, portes et aérateurs. Tenez compte soigneusement du sens du vent et des courants d'air lorsque vous utilisez ce laveur à pression à l'extérieur, pour éviter d'inhaler les gaz d'échappement du moteur.
- En suivant les instructions et les recommandations du fabricant, installez des avertisseurs de monoxyde de carbone fonctionnant sur piles dans tout bâtiment occupé à proximité du moteur en marche.
- Si vous souffrez de maux de tête, de nausées, de vertiges, de somnolence ou de faiblesse pendant que le laveur sous pression est en marche, allez à l'air frais et consultez immédiatement un médecin.



AVERTISSEMENT:

VAPEURS TOXIQUES

Les gaz d'échappement du moteur contiennent du monoxyde de carbone, un gaz inodore, incolore et toxique. Faire fonctionner un moteur à l'intérieur tue en quelques minutes. N'utilisez jamais ce produit à l'intérieur d'une maison, d'un garage ou de tout autre type de bâtiment fermé, même avec les portes et fenêtres ouvertes. Faites fonctionner le moteur à une distance d'au moins à 20 pieds (6 mètres) des fenêtres, portes et aérateurs. Tenez compte soigneusement du sens du vent et des courants d'air lorsque vous utilisez ce produit à l'extérieur, pour éviter d'inhaler les gaz d'échappement du moteur. Utilisez toujours un détecteur de monoxyde de carbone dans des bâtiments occupés, à proximité du moteur.



Fonctionnement à haute altitude

Ce moteur aura une performance du moteur et un contrôle des émissions appropriés lorsqu'il est utilisé à ou sous une altitude de 1 524 mètres (5 000 pieds). Ce moteur requiert un ensemble haute altitude pour le carburateur afin d'assurer une performance du moteur et un contrôle des émissions appropriés lorsqu'il est utilisé au-dessus de 1 524 mètres (5 000 pieds). Utiliser l'outil ayant la mauvaise configuration de moteur au-dessus de 1 524 mètres (5 000 pieds) peut augmenter ses émissions et réduire l'efficacité du carburant et le rendement. Pour obtenir un ensemble de carburateur haute altitude, contactez le centre de service agréé le plus proche.



AVIS

ALTITUDE

L'utilisation du moteur avec un kit d'injection haute altitude pour le carburateur en-dessous de 1 524 mètres (5 000 pieds) peut causer la surchauffe du moteur. Surchauffer le moteur peut l'endommager sérieusement. Pour éviter ce risque, vérifiez que le kit de carburateur correct est installé et que le mélange air/carburant est réglé correctement pour votre altitude.

Conditions de fonctionnement

Avant chaque utilisation, vérifiez s'il y a des pièces desserrées ou endommagées et toute autre condition pouvant affecter l'utilisation appropriée. Réparez ou remplacez immédiatement toutes les pièces endommagées et/ou défectueuses. Gardez toujours tous les dispositifs de protection en place et en bon état de fonctionnement. Pour des raisons de sécurité, le fabricant recommande que tous les entretiens et réparations soient effectués par un centre de service agréé.

Avant de démarrer le moteur, enlevez toute saleté et tout débris excessifs des événements de refroidissement, de l'échappement et des zones du démarreur manuel. Utilisez toujours le laveur sous pression sur une surface plane et ne déplacez ou ne basculez jamais le laveur sous pression en cours d'utilisation. N'utilisez le laveur sous pression que pour l'usage auquel il est destiné. Si vous avez des questions sur l'utilisation appropriée de votre laveur sous pression, veuillez communiquer avec le service à la clientèle au 1 877 362-4271 ou à cservice@fna-group.com.



AVERTISSEMENT:

UTILISATION PAR DES PERSONNES NON FORMÉES

Les adultes non formés et les enfants peuvent subir de graves blessures ou la mort s'ils sont autorisés à utiliser ou à jouer avec un laveur sous pression en fonctionnement. Pour éviter ces dangers, veillez à ce quiconque utilisant le laveur sous pression reçoive les instructions adéquates, comprenne le fonctionnement sécuritaire et lise le manuel de l'utilisateur avant d'utiliser ce produit. Ne laissez pas les enfants utiliser le laveur sous pression sans supervision parentale. Gardez les enfants et les animaux domestiques à l'écart du laveur sous pression lorsqu'il fonctionne. Éteignez toujours le laveur sous pression avant de quitter la zone.



AVERTISSEMENT:

BLESSURE PAR INJECTION

Les hautes pressions créées par un laveur sous pression peuvent provoquer des blessures par injection de liquide, des lacérations graves, des amputations et/ou la mort. Pour éviter ces dangers, orientez toujours le pistolet de pulvérisation et la lance dans une direction sécuritaire et ne tentez jamais de toucher une fuite dans un tuyau ou un raccord sous haute pression.



AVERTISSEMENT:

INSPECTER AVANT D'UTILISER

Le fait de ne pas inspecter ce produit avant de l'utiliser peut créer une situation dangereuse entraînant des dommages au produit, des blessures graves et/ou la mort. Pour éviter ces dangers, inspectez le laveur sous pression avant chaque utilisation. Vérifiez si des pièces sont desserrées ou endommagées, les signes de fuites d'huile ou de carburant, si des protections sont manquantes et toute autre condition susceptible d'affecter l'utilisation appropriée. Réparez ou remplacez toutes les pièces endommagées ou défectueuses et maintenez les protections de sécurité en place et en bon état de fonctionnement avant d'utiliser le laveur sous pression.



ATTENTION:

SURFACES CHAUDES

Un moteur en fonctionnement produit de la chaleur. Les surfaces du moteur, d'autres composants connexes et les gaz d'échappement du moteur chauffent suffisamment pour provoquer des brûlures légères à modérées ou pour mettre le feu à des matières par contact. Pour éviter les brûlures, ne touchez pas les surfaces du moteur ni les gaz d'échappement et laissez le moteur refroidir complètement avant de le déplacer, le toucher ou l'entretenir. Pour éviter un incendie, tenez toutes les matières inflammables à distance d'au moins cinq pieds de tous les côtés du produit.



AVERTISSEMENT:

PIÈCES MOBILES

Ce produit contient de nombreuses pièces mobiles à haute vitesse. Les pièces mobiles peuvent causer des écrasements, des fractures, des lacérations graves et/ou des amputations traumatiques. Pour éviter les blessures, ne placez jamais vos doigts, mains, pieds ou autre partie du corps à proximité du moteur en marche. N'utilisez jamais le produit avec les capots, les coiffes ou autres protections retirés. Ne portez pas de vêtements amples, de cordon pendant ou autres objets pendants susceptibles de s'accrocher dans les pièces mobiles en fonctionnement. Attachez vos cheveux longs et retirez vos bijoux avant l'utilisation.

Vérification de l'huile moteur



ATTENTION:

HUILE CHAUDE

L'huile chaude peut provoquer des brûlures graves. Pour éviter de vous brûler lors de la vidange ou du contrôle de l'huile moteur, portez des gants appropriés et procédez à la vidange lorsque le moteur est chaud mais pas brûlant.



AVIS

REMPLEZ LE RÉSERVOIR D'HUILE MOTEUR AVANT UTILISATION

Le moteur est expédié de l'usine sans huile. Utiliser le moteur sans huile peut provoquer de graves dommages au moteur et annuler la garantie. Pour éviter d'endommager le moteur et d'annuler la garantie, remplissez le moteur avec de l'huile du type recommandé avant de le démarrer.



AVIS

CAPTEUR DE NIVEAU D'HUILE BAS

Le détecteur de niveau d'huile bas (s'il est présent) arrête automatiquement le moteur si le niveau d'huile est inférieur à la limite sécuritaire. Pour éviter un arrêt inattendu, vérifiez le niveau d'huile avant chaque utilisation, remplissez jusqu'à la limite supérieure et utilisez toujours le moteur sur une surface plane.

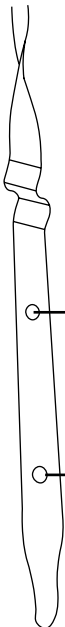


AVIS

UTILISEZ L'HUILE MOTEUR CORRECTE

L'huile est un facteur majeur qui affecte la performance et la durée de service d'un moteur. Utiliser une huile incorrecte peut endommager le moteur et annuler la garantie. Pour éviter d'endommager le moteur et d'annuler la garantie, vérifiez et changez l'huile selon les besoins en utilisant l'huile moteur correcte.

1. Vérifiez l'huile avec le nettoyeur haute pression sur une surface plane et le moteur éteint.
2. Retirez la jauge d'huile ; essuyez-le avec une serviette en papier.
3. Insérez complètement la jauge d'huile propre dans le bec.
4. Retirez la jauge. Le niveau d'huile doit être au niveau, mais pas au-dessus, du repère plein ou haut.
5. Si le niveau d'huile est bas, ajoutez l'huile recommandée dans le carter jusqu'à ce que le niveau atteigne le repère plein ou haut sur la jauge. Voir le manuel du moteur pour l'huile recommandée.
6. Remplacez complètement la jauge dans le bec.



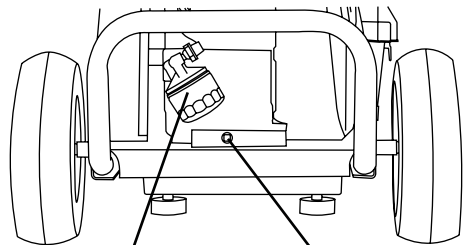
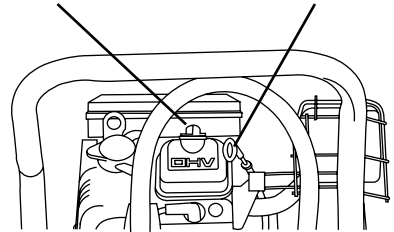
Haut d'huile
"plein" marque

Marque d'huile
basse

Jauge d'huile

Bouchon de remplissage d'huile

Jauge d'huile



Filtre à l'huile

Bouchon de
vidange d'huile

Vérification du carburant



AVERTISSEMENT:

REPLISSAGE DE CARBURANT

L'essence est hautement inflammable et ses vapeurs sont extrêmement explosives. Un incendie et des explosions peuvent causer des brûlures graves et/ou la mort. Tenez l'essence à l'écart des flammes, des étincelles et de toute autre source d'allumage. Remplissez le réservoir de carburant à l'extérieur dans un endroit bien aéré avec le moteur arrêté et froid. Essuyez l'essence renversée et laissez le moteur sécher avant de le démarrer. Gardez un extincteur à portée de la main pendant le remplissage de carburant. N'utilisez pas le moteur avec des fuites dans le circuit d'alimentation. N'entreposez pas l'essence à proximité de matières inflammables.



AVIS

ESSENCE ANCIENNE

L'essence ancienne peut créer des dépôts qui bouchent le circuit de carburant, provoquant un démarrage difficile et une performance médiocre. Les dommages causés par l'essence ancienne ne sont pas couverts par la garantie. Pour réduire les dépôts, éviter les problèmes de performance associés et éviter des réparations dispendieuses, n'utilisez pas d'essence plus ancienne que 30 jours.



AVIS

MÉLANGES À BASE D'ALCOOL

L'utilisation d'essence contenant un mélange à base d'alcool supérieur à 10 % (E10) endommage le moteur. Les dommages causés par l'utilisation d'un mélange à base d'alcool à 15 % (E15), 85 % (E85) ou tout autre mélange d'alcool supérieur à 10 % (E10) ne sont pas couverts par la garantie. Pour éviter les dommages au moteur causés par un mélange d'alcool trop élevé, utilisez de l'essence à 10 % (E10) d'alcool au maximum.



AVIS

ADDITIFS D'ESSENCE

L'utilisation d'additifs de nettoyage du circuit de carburant peut endommager le moteur et les circuits de carburant. Les dommages causés par l'utilisation d'additifs de nettoyage du circuit de carburant ne sont pas couverts par la garantie. Pour éviter d'endommager le moteur et le circuit de carburant, n'utilisez pas d'additifs de nettoyage du circuit de carburant.



AVIS

ENTREPOSAGE DE L'ESSENCE

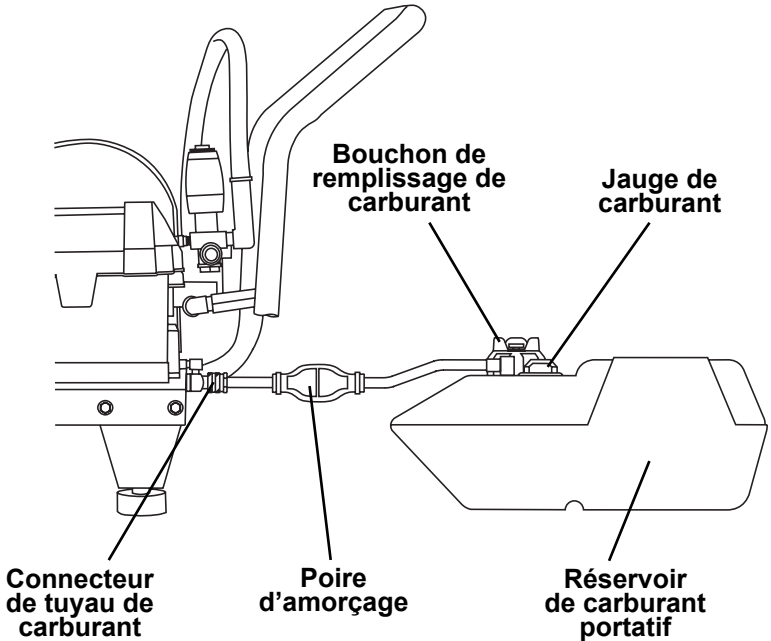
Il est important afin d'empêcher les dépôts de gomme de se former dans les pièces essentielles du circuit d'alimentation, comme le carburateur, le filtre du carburant, le tuyau du carburant ou le réservoir durant l'entreposage. Les carburants mélangés à l'alcool (appelés gasohol, éthanol ou méthanol) attirent l'humidité ce qui entraîne la séparation et la formation d'acides durant l'entreposage. Le carburant acide et les dépôts de gomme peuvent endommager le circuit de carburant du moteur lorsqu'il est entreposé. Les dommages causés par l'utilisation de carburant ancien, éventé ou contaminé ne sont pas couverts par la garantie.



AVIS

NE PAS REMPLIR EXCESSIVEMENT LE RÉSERVOIR DE CARBURANT

Le remplissage excessif du réservoir de carburant peut endommager le réservoir à charbon actif (s'il est présent), produire une performance médiocre du moteur et annuler la garantie. Pour éviter ces dangers, ne pas remplir le réservoir de carburant au-dessus du niveau maximum.



1. Placez le réservoir de carburant portable sur le sol derrière le nettoyeur haute pression.
2. Connectez le tuyau de carburant au nettoyeur haute pression à l'aide du connecteur rapide.
3. Retirez le bouchon de remplissage de carburant, puis remplissez le réservoir jusqu'à ce que la jauge atteigne le repère FULL. N'utilisez pas d'essence datant de plus de 30 jours. Utilisez uniquement de l'essence ordinaire sans plomb propre et fraîche avec un indice d'octane minimum de 87. Ne mélangez pas l'huile avec l'essence. N'utilisez pas d'essence contenant plus de 10 % d'alcool éthylique. E15, E20 et E85 ne sont pas des carburants approuvés et ne doivent pas être utilisés. NE JAMAIS remplir le réservoir lorsqu'il est sur ou dans un véhicule ; l'électricité statique pourrait provoquer une explosion.
4. Remettez le bouchon de remplissage sur le bec verseur, vissez le bouchon à la main jusqu'à ce qu'il soit bien ajusté.
5. Utilisez la poire d'amorçage pour pomper de l'essence dans le moteur. Si vous démarrez le moteur sans amorcer la conduite de carburant, le moteur ne démarrera pas rapidement, ce qui pourrait endommager le démarreur en raison d'un démarrage excessif.

REMARQUE : L'utilisation d'un stabilisateur de carburant (vendu séparément) lors du stockage de l'essence peut aider à prévenir les problèmes liés au stockage d'essence mélangée à de l'éthanol et de l'alcool. Suivez toujours les instructions fournies par le fabricant du stabilisateur de carburant pour le mélanger et l'utiliser correctement.

DÉMARRAGE DU MOTEUR



AVERTISSEMENT:

LISTE DE CONTRÔLE DE FONCTIONNEMENT

Tenter de démarrer le moteur ou d'utiliser le laveur sous pression incorrectement peut endommager le moteur et/ou le laveur sous pression et provoquer des blessures graves ou la mort. Pour éviter ces risques, ne manquez pas de lire, comprendre et respecter les étapes décrites dans la section LISTE DE CONTRÔLE DE FONCTIONNEMENT du manuel de l'utilisateur avant de démarrer le moteur et de suivre toutes les recommandations pour l'utilisation correcte du laveur sous pression.



AVIS

DOMMAGES DE LA POMPE

Utiliser le laveur sous pression pendant plus de deux minutes sans tirer sur la gâchette du pistolet de pulvérisation surchauffe la pompe et peut éventuellement provoquer des dommages. La soupape de sûreté thermique s'ouvre et pulvérise l'eau pour contribuer à refroidir la pompe quand elle surchauffe. Pour éviter de surchauffer la pompe, arrêtez le moteur si elle reste inutilisée pendant plus de deux minutes.

Démarrage du moteur

1. Effectuez les étapes de la section LISTE DE CONTRÔLE DE FONCTIONNEMENT de ce guide avant de démarrer le moteur. Le non-respect de cette consigne pourrait endommager la pompe ou le moteur. Si nécessaire, reportez-vous au guide du moteur pour obtenir des consignes de démarrage détaillées.

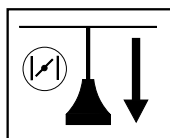
La source d'eau doit être branchée, mise en marche, l'air éventuellement présent dans le système doit être purgé et le verrou de la gâchette doit être placé en position verrouillée.

2. Amorcez la conduite de carburant comme décrit dans la section VÉRIFICATION DU CARBURANT de ce manuel.

3. Faites glisser le levier d'accélérateur à la position RUN (le cas échéant).

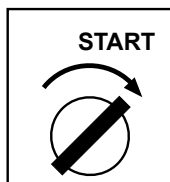


4. Tirez sur le starter pour démarrer un moteur FROID. Poussez pour un moteur chaud.



REMARQUE : La position de démarrage du volet de départ varie en fonction de la température du moteur. Pour démarrer un moteur froid, placez le levier du volet de départ proche de la position CHOKE. Pour démarrer un moteur chaud, placez le levier du volet de départ proche de la position RUN.

5. Tournez la clé au-delà de la position ON jusqu'à la position START. Laissez le moteur démarrer. Si le moteur ne démarre pas après 5 secondes. Relâchez la clé et laissez le démarreur refroidir pendant une minute.

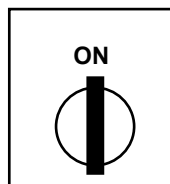


AVERTISSEMENT:

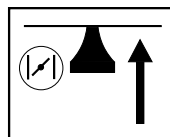
DÉGÂTS DE DÉMARREUR

N'essayez pas de lancer le moteur en continu pendant plus de cinq secondes à la fois. Si le moteur ne démarre pas, laissez le démarreur refroidir pendant une minute avant d'essayer de redémarrer le moteur. Essayer continuellement de démarrer le moteur endommagera le démarreur.

6. Une fois le moteur démarré, laissez la clé revenir en position ON.



7. Poussez lentement le levier de starter pendant que le moteur se réchauffe. Si le moteur faiblit, tirez sur le starter jusqu'à ce que le moteur se soit réchauffé.



8. Laissez le moteur chauffer pendant 1 à 2 minutes avant d'utiliser le produit.

ARRÊT DU MOTEUR



AVIS

DOMMAGES DE LA POMPE

Couper l'arrivée d'eau à votre pompe alors que le moteur fonctionne endommage la pompe. Les dommages causés par le fonctionnement de la pompe sans eau ne sont pas couverts par la garantie. Pour éviter ce risque, arrêtez toujours le moteur avant de couper l'arrivée d'eau.

1. Réglez le verrouillage de la gâchette sur le pistolet de pulvérisation.
2. Faites glisser le régulateur en position SLOW (si l'appareil en est équipé).
3. Mettez l'interrupteur du moteur sur la position OFF.
4. Coupez l'alimentation en eau.
5. Relâchez le verrou de la gâchette et appuyez sur la gâchette du pistolet de pulvérisation pour relâcher la pression dans le tuyau et la pompe.
6. Laissez le moteur refroidir complètement avant de le manipuler et de le ranger.

CONSEILS D'UTILISATION

Termes

- PSI : Les livres par pouce carré (PSI) sont l'unité de mesure de la pression de l'eau. Dans le cas d'un laveur sous pression, plus le nombre de PSI est élevé, plus la pression et la puissance de décapage produites sont importantes.
- GPM : Les gallons par minute (GPM) représentent le débit d'eau. Dans le cas d'un laveur sous pression, plus le nombre de gallons par minute est élevé, plus le débit ou la puissance de rinçage est important.
- CU : Les unités de nettoyage expriment l'efficacité du nettoyeur haute pression. Les unités de nettoyage sont calculées en multipliant le PSI par le GPM. Plus l'unité de nettoyage est élevée, plus le laveur sous pression est efficace.

Préparation

- Lisez tous les avertissements et toutes les instructions de ce guide et de tous les autres guides fournis avec le laveur sous pression.
- Retirez tous les jouets, vélos, meubles de jardin, etc. de la zone de travail s'ils ne doivent pas être nettoyés.
- Balayez la saleté et les débris de la surface que vous allez laver sous pression.
- Couvrez les plantes à proximité pour éviter de les endommager avec le jet de laveur sous pression.
- Prenez des précautions lorsque vous pulvérisez les fenêtres. Utilisez toujours la buse blanche de 40° et restez à une distance d'au moins 4 pieds (1,2 mètres).
- Posez des bâches pour récupérer les éclats de peinture et autres débris qui sont emportés par le jet. Les peintures extérieures utilisées avant 1977 peuvent contenir du plomb et produire des copeaux qui devront être collectés et éliminés dans une installation de traitement des déchets dangereux.

Lavage sous pression

- Une pulvérisation plus large permet de nettoyer plus rapidement, alors qu'une pulvérisation plus étroite permet un nettoyage plus en profondeur.
- Tenez la buse à environ 4 pieds (1,2 mètres) du revêtement pour éviter les dommages.
- Commencez à laver les revêtements du bas vers le haut, puis rincez du haut vers le bas.
- Évitez d'envoyer de l'eau derrière le revêtement.
- Utilisez des touches qui se chevauchent pour un nettoyage uniforme.
- Travaillez par petites surfaces pour éviter que le savon ne sèche.
- Ne dirigez pas la buse directement vers une surface. Tenez la lance selon un angle de 45°degrés par rapport à la surface à une distance qui permet de bien nettoyer sans endommager.

Réglage de la pression

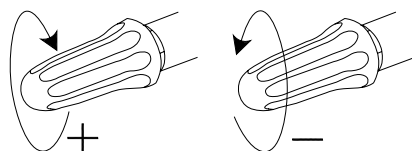
Le réglage de la pression est préréglé en usine pour obtenir une pression et un nettoyage optimaux. Si vous devez réduire la pression, vous pouvez le faire de la manière suivante.

- Éloignez-vous de la surface à nettoyer. Plus vous positionnez la buse loin de la surface à nettoyer, plus la pression pour atteindre la surface est faible.
- Passez à la buse blanche de 40°. Cette buse produit une pression plus faible et un jet plus large.

Votre appareil est peut-être équipé d'une fonction supplémentaire qui vous permet de régler la pression.

Pour réduire la pression, tournez le bouton dans le sens inverse des aiguilles d'une montre jusqu'à la pression souhaitée.

Pour revenir au réglage d'usine, tournez le bouton dans le sens des aiguilles d'une montre jusqu'à ce qu'il s'arrête.



REMARQUE : Ne serrez pas trop le bouton de réglage de la pression. S'il est trop serré, le bouton PEUT se casser, entraînant une perte de pression immédiate et des réparations coûteuses non couvertes par la garantie.

DÉPANNAGE

PROBLÈME	CAUSE POSSIBLE	SOLUTION
<p>Le moteur ne démarre pas.</p> <p>Consultez le guide du moteur pour plus d'informations sur le dépannage du moteur.</p>	Le réservoir de carburant est vide.	Ajoutez du carburant frais.
	La pression d'eau dans la pompe empêche le moteur de tourner.	Orientez le pistolet de pulvérisation dans une direction sécuritaire et appuyez ensuite sur la gâchette pour libérer la pression d'eau dans la pompe.
	Le volet de départ du moteur est dans la mauvaise position.	Consultez la section DÉMARRAGE DU MOTEUR de ce guide pour connaître la position correcte du volet de départ.
	Le câble de la bougie d'allumage n'est pas fixé à la bougie.	Branchez le câble de la bougie.
	L'interrupteur du moteur est en position OFF.	Gire el interruptor del motor a la posición ON.
	La vanne de carburant du moteur est fermée.	Ouvrez la vanne de carburant.
	Le niveau d'huile du moteur est bas. Si le moteur est équipé d'un capteur de niveau d'huile bas, le moteur ne démarre pas.	Vérifiez le niveau d'huile du moteur. Remplissez selon le guide du moteur.
<p>La pression du jet d'eau du laveur sous pression est faible ou nulle.</p>	De l'air est piégé dans la pompe et/ou les tuyaux.	Consultez la section PURGE DE LA POMPE de ce guide pour éliminer l'air de la pompe et des tuyaux.
	La source d'eau est insuffisante.	Assurez-vous que l'alimentation en eau peut produire au moins 5 GPM à 20 PSI.
	La buse est bouchée.	Nettoyez la buse conformément à la section ENTRETIEN de ce guide.
	La grille d'entrée d'eau est bouchée.	Nettoyez la grille d'entrée d'eau conformément à la section ENTRETIEN de ce guide.
	Le tuyau haute pression est trop long.	Le tuyau haute pression doit faire moins de 100 pieds (30 mètres) de long.
	Le volet de départ du moteur est dans la position CHOKE.	Mettez le volet de départ du moteur en position NO CHOKE.

PROBLÈME	CAUSE POSSIBLE	SOLUTION
Le détergent n'est pas aspiré.	La lance d'arrosage n'est pas en basse pression.	Insérez la buse noire pour savon.
	Le filtre à détergent est obstrué.	Nettoyez le filtre.
	Le filtre à détergent n'est pas immergé dans le détergent.	Assurez-vous que l'extrémité du filtre du tuyau de siphonage du détergent est entièrement immergée dans le détergent.
	Le détergent est trop épais.	Diluez le détergent. Le détergent doit avoir la même consistance que l'eau.
	Le tuyau haute pression est trop long.	Allongez le tuyau d'alimentation en eau et raccourcissez le tuyau haute pression.
	Le détergent est séché à l'intérieur de l'injecteur de détergent.	Contactez le service à la clientèle au 1 877 362-4271 ou à cservice@fna-group.com .
Fuite d'eau à la pompe.	Raccords desserrés.	Serrez les raccords.
	Joint torique usé ou déchiré.	Vérifiez et remplacez.
	Garniture de piston usée.	Contactez le service à la clientèle au 1 877 362-4271 ou à cservice@fna-group.com .
	Tête de pompe ou tubes endommagés par le gel.	Contactez le service à la clientèle au 1 877 362-4271 ou à cservice@fna-group.com .
La pompe ou la buse émet des pulsations.	Buse obstruée.	Nettoyez la buse conformément à la section ENTRETIEN de ce guide.
Fuite d'huile au niveau de la pompe.	Bouchon de vidange desserré.	Serrez-le.
	Joint torique du bouchon de vidange usé.	Vérifiez et remplacez.
	L'huile de la pompe est trop remplie.	Vérifiez que la quantité est correcte.
	Mauvaise huile utilisée/remplie.	Vidangez et remplissez avec le type et la quantité d'huile corrects.
	Le bouchon d'évent est obstrué.	Nettoyez le bouchon de l'évent; soufflez de l'air par l'évent pour éliminer les obstructions. Si le problème persiste, remplacez le bouchon.
	Joints d'huile usés.	Contactez le service à la clientèle au 1 877 362-4271 ou à cservice@fna-group.com .

ENTRETIEN

Pour des raisons de sécurité, le fabricant recommande que tous les entretiens et réparations du laveur sous pression soient effectués par un centre de service agréé. Tous les remplacements ou réparations sous garantie doivent être effectués par un centre de distribution ou de service agréé. Pour trouver un centre de service autorisé près de chez vous, faire une demande de garantie ou obtenir une réparation sous garantie autorisée, appelez le 1 877 362-4271 ou envoyez un courriel à cservice@fna-group.com.

Il est de la responsabilité du propriétaire et/ou de l'utilisateur de faire effectuer tous les entretiens prévus avant d'utiliser le laveur sous pression. Veuillez à suivre les recommandations d'inspection et d'entretien figurant dans tous les guides fournis avec cet appareil.

Entretien

Avant chaque utilisation, vérifiez que le laveur sous pression ne présente pas de fuites, de pièces lâches ou endommagées, et toute autre anomalie qui pourrait nuire à son bon fonctionnement. Assurez-vous que toutes les protections de sécurité sont en place et en bon état de fonctionnement. Inspectez tous les événements d'air et les fentes de refroidissement pour vous assurer qu'ils sont propres et non obstrués. Réparez ou remplacez immédiatement toutes les pièces endommagées ou défectueuses. Pour des raisons de sécurité, le fabricant recommande que tous les entretiens et réparations du laveur sous pression soient effectués par un centre de service agréé. N'essayez jamais de réparer un tuyau haute pression.

Nettoyage du laveur sous pression

Nettoyez toujours le laveur sous pression lorsque le moteur est arrêté et froid. Pour nettoyer le laveur sous pression, utilisez d'abord un compresseur d'air réglé à 25 PSI maximum pour enlever la saleté et les débris des surfaces, des événements et des fentes de refroidissement du laveur sous pression. Ensuite, nettoyez l'extérieur avec un chiffon humide.



AVIS

NETTOYAGE

L'eau peut endommager les composants du moteur du laveur sous pression si elle pénètre par les fentes de refroidissement ou d'autres orifices. Les dommages causés par la pénétration d'eau ne sont pas couverts par la garantie. Pour éviter les dommages causés par l'eau, n'utilisez pas un laveur sous pression, un boyau de jardin ou toute autre source d'eau courante pour nettoyer le moteur du laveur sous pression et ne l'immergez jamais dans un liquide quelconque.



AVIS

PRODUITS DE NETTOYAGE CHIMIQUES

L'utilisation de produits de nettoyage chimique et/ou de liquides corrosifs peut endommager les joints du laveur sous pression et ses composants internes. Les dommages causés par les nettoyants chimiques et les liquides corrosifs ne sont pas couverts par la garantie. Pour éviter ces risques, n'utilisez que des produits de nettoyage, jamais d'eau de Javel et faites toujours passer de l'eau propre dans le laveur sous pression après avoir utilisé des produits chimiques de nettoyage.

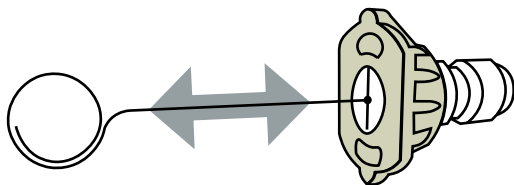
Raccords

Les raccords du tuyau, du pistolet et de la pompe doivent être nettoyés et lubrifiés régulièrement avec une fine pellicule de graisse au lithium pour éviter d'endommager les joints toriques et de provoquer des fuites.

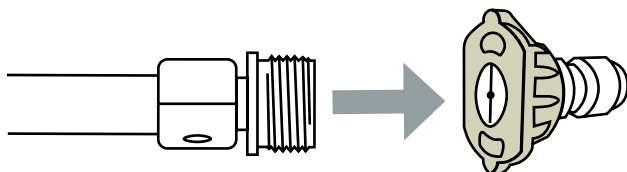
Nettoyage des buses

Si une buse est obstruée, la pompe peut émettre des pulsations et la forme du jet peut changer. Si la buse n'est pas nettoyée, une pression excessive peut se développer et endommager la pompe ou d'autres accessoires. Inspectez les buses avant de les utiliser et suivez les instructions de cette section pour la procédure appropriée de nettoyage des buses.

1. Arrêtez le laveur sous pression.
2. Coupez l'alimentation en eau.
3. Orientez le pistolet de pulvérisation dans une direction sécuritaire et appuyez sur la gâchette pour relâcher la pression de l'eau.
4. Réglez le verrou de la gâchette.
5. Retirez la buse du raccord rapide de la lance.
6. Dégagez toute obstruction de la buse en insérant l'outil de nettoyage de la buse fourni.



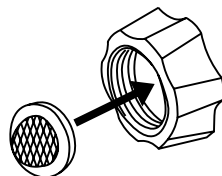
7. Rincez tous les débris détachés de la buse en orientant un tuyau d'arrosage en marche vers la sortie de la buse pendant au moins 30 secondes.



Filtere d'entrée d'eau

Avant chaque utilisation, vérifiez le filtre d'entrée et nettoyez-le en suivant les étapes ci-dessous. N'utilisez jamais le laveur sous pression si le filtre d'entrée n'est pas correctement installé.

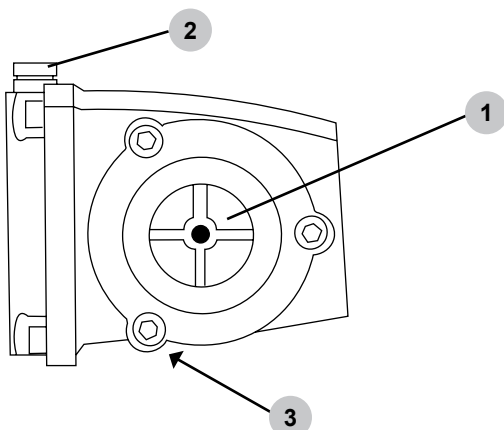
1. Retirez le filtre du coupleur du tuyau d'arrosage.
2. Utilisez l'eau d'un tuyau d'arrosage en marche pour nettoyer les deux côtés du filtre.
2. Insérez le filtre nettoyé dans l'entrée de la pompe avec le côté convexe vers l'extérieur.



Entretien de la pompe

Remarque : La pompe a été remplie d'huile en usine. L'huile préférée est l'huile de carter de pompe SIMPSON® Premium. Si cette huile n'est pas disponible, une huile SAE 15W-40 peut être utilisée. Vidangez l'huile après les 50 premières heures de fonctionnement et toutes les 100 heures par la suite ou tous les 3 mois.

1. Voyant d'huile
2. Bouchon de remplissage d'huile / bouchon d'aération
3. Bouchon de vidange d'huile (non illustré)



Comment vidanger l'huile de la pompe

1. Desserrez le bouchon de remplissage d'huile de la pompe / le capuchon d'aération.
2. Placez un conteneur sous le bouchon de vidange d'huile.
3. Retirez le bouchon de vidange d'huile.
4. Une fois l'huile vidangée, insérez le bouchon de vidange d'huile et serrez-le fermement.
5. Pour les pompes AAA™, remplissez avec l'huile de carter de pompe SIMPSON® Premium. Si cette huile n'est pas disponible, une huile SAE 15W-40 peut être utilisée. Pour les pompes CAT Pumps®***, remplissez avec une huile hydraulique non détergente (ISO68).
6. Assurez-vous que le niveau d'huile atteint mais ne dépasse pas le point situé au centre du voyant.
7. Insérez le bouchon de remplissage d'huile et serrez-le fermement.

*** Les pompes CAT Pumps® sont une marque déposée de Diversified Dynamics Corporation.

Entretien du moteur

Avant chaque utilisation, vérifiez que le moteur ne comporte pas de pièces desserrées ou endommagées, de signes de fuites d'huile ou de carburant, et/ou toute autre anomalie qui pourrait affecter le bon fonctionnement. Gardez toujours tous les dispositifs de protection en place et en bon état de fonctionnement. Réparez ou remplacez immédiatement toutes les pièces endommagées ou défectueuses.

Pour des raisons de sécurité, le fabricant recommande que tous les entretiens et réparations du moteur (y compris les dispositifs et systèmes antipollution) soient effectués par un centre de service agréé. Tous les remplacements ou réparations sous garantie doivent être effectués par un centre de distribution ou de service agréé. Pour trouver un centre de service agréé près de chez vous, obtenir des renseignements sur la façon de faire une demande de garantie ou prendre des dispositions pour des réparations sous garantie autorisées, veuillez appeler le 1 877 362-4271 ou envoyer un courriel à cservice@fna-group.com.

Pour toute autre information sur l'entretien du moteur, consultez le guide du moteur.

ENTREPOSAGE ET TRANSPORT

Entreposage pendant deux mois ou moins *(ou lorsque des températures glaciales sont attendues).*

1. Remplissez le réservoir de carburant conformément à la section LISTE DE CONTRÔLE DE FONCTIONNEMENT de ce guide, puis ajoutez un stabilisateur de carburant conformément aux recommandations du fabricant. **REMARQUE** : L'utilisation d'un stabilisateur de carburant (vendu séparément) lors de l'entreposage de l'essence peut aider à prévenir les problèmes liés aux carburants mélangés à de l'alcool dans les moteurs d'équipement motorisé d'extérieur. Suivez toujours les instructions fournies par le fabricant du stabilisateur de carburant pour le mélanger et l'utiliser correctement.
2. Effectuez les étapes des sections LISTE DE CONTRÔLE DE FONCTIONNEMENT, RACCORDEMENT DES TUYAUX et AMORÇAGE DE LA POMPE de ce guide.
3. Démarrez le moteur conformément à la section DÉMARRAGE de ce guide et faites-le tourner pendant dix (10) minutes pour permettre au carburant stabilisé de circuler dans tout le système d'alimentation. Veillez à appuyer sur la gâchette pour que l'eau continue de circuler dans la pompe et le pistolet de pulvérisation afin d'éviter toute surchauffe.
4. Mettez l'interrupteur du moteur sur la position OFF.
5. Fermez l'alimentation en eau. Retirez le tuyau d'alimentation en eau.
6. Appuyez sur la gâchette du pistolet de pulvérisation pour relâcher la pression dans le tuyau et la pompe, puis vidangez le tuyau haute pression. Débranchez le tuyau haute pression de la pompe et du pistolet de pulvérisation.
7. Laissez le moteur refroidir complètement.
8. Protégez la pompe en utilisant la protection de pompe SIMPSON® conformément à la section UTILISATION DE LA PROTECTION DE POMPE du présent guide.
9. Entreposez le laveur sous pression dans un endroit propre et sec, à l'abri de la lumière directe du soleil.

Entreposage pendant plus de deux mois

1. Assurez-vous que le moteur est complètement froid.
2. Retirez tout le carburant du réservoir, des conduites de carburant et du carburateur en desserrant la vis de vidange située au bas du carburateur et en vidant le carburant dans un conteneur approprié.
3. Changez l'huile moteur.
4. Enlevez la saleté et les débris de la zone autour de la bougie d'allumage, puis utilisez une douille ou une clé à bougie pour retirer la bougie d'allumage.
5. Versez 0,5 once (15 ml) d'huile neuve dans la chambre de combustion du moteur, puis faites tourner le moteur lentement en tirant sur le recul deux (2) fois pour répartir l'huile et lubrifier le cylindre.
6. Installez la bougie d'allumage.
7. Vidangez le tuyau haute pression.
8. L'utilisation de SIMPSON Pump Guard ou d'un équivalent est recommandée lors de l'entreposage de la machine pendant plus de 30 jours et/ou lorsque des températures glaciales sont prévues.
9. Entrez le laveur sous pression dans un endroit propre et sec, à l'abri de la lumière directe du soleil.

Transport



AVERTISSEMENT:

TRANSPORT

Le fait de laisser le laveur sous pression dans un espace clos où les températures peuvent augmenter sur un véhicule de transport peut provoquer la vaporisation du carburant et éventuellement son explosion. Un incendie et des explosions peuvent causer des brûlures graves et/ou la mort. Pour éviter les fuites ou la vaporisation de carburant, sécurisez le laveur sous pression dans une zone bien aérée, à l'abri du soleil et autres sources de chaleur et ne le transportez pas sur des routes irrégulières si le carburant n'a pas été vidangé au préalable.

1. Mettez l'interrupteur de commande du moteur sur la position ARRÊT.
2. Pour éviter tout déversement de carburant lors du transport, gardez le laveur sous pression en position verticale sur une surface plane.
3. Lorsqu'il est chargé sur un véhicule, fixez le laveur sous pression à l'aide de sangles ou d'attaches pour éviter qu'il ne se renverse ou qu'il ne soit endommagé par un glissement.

REMARQUE : N'utilisez pas le laveur sous pression lorsqu'il est sur le véhicule de transport.

UTILISATION DE LA PROTECTION DE POMPE SIMPSON®



AVIS

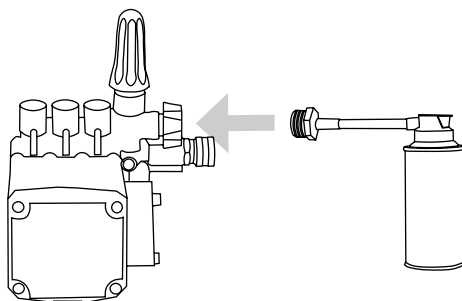
DOMMAGES DE LA POMPE

Laisser de l'eau à l'intérieur de la pompe par temps de gel causera des dommages divisibles à la pompe. Pour éviter des dommages coûteux, traitez toujours la pompe avec la protection de pompe SIMPSON® afin d'éliminer l'eau piégée et de remplir la pompe d'une solution lubrifiante et antigel.

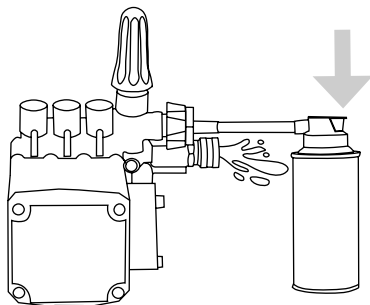
La protection de pompe SIMPSON® (vendue séparément) est formulée pour protéger votre pompe pendant l'entreposage à long terme et contre les dommages causés par le gel. La protection de pompe doit être utilisée tout au long de la saison pour que les joints restent souples et bien lubrifiés. Avant d'entreposer l'appareil pour l'hiver ou lorsqu'il y a un risque de gel, utilisez la protection de pompe pour éliminer toute trace d'eau des cavités internes tout en les remplissant d'une solution antigel. La protection de pompe est une assurance pour votre investissement, utilisez-la.

Utilisez simplement la protection de pompe en suivant les étapes suivantes :

1. Vissez l'adaptateur de la protection de pompe dans l'entrée du tuyau d'arrosage de la pompe.



2. Appuyez sur le bouton et maintenez-le enfoncé jusqu'à ce que toute l'eau et la protection de pompe commencent à sortir de l'orifice haute pression.



3. Dévissez la protection de pompe et préparez le laveur sous pression pour l'entreposage comme indiqué dans la section ENTREPOSAGE ET TRANSPORT.

GARANTIE COMMERCIALE LIMITÉE

CONDITIONS DE LA COUVERTURE DE GARANTIE :

Le fabricant de ce produit accepte de réparer ou de remplacer les pièces désignées qui s'avèrent défectueuses pendant la période de garantie indiquée ci-dessous, à sa seule discrétion. Des limitations/extensions et exclusions particulières s'appliquent.

Cette garantie couvre le défaut de pièces et main d'œuvre mais exclut les pièces défaillantes en raison de l'usure normale, de la détérioration, de la mauvaise utilisation, de dommages accidentels, de négligence, utilisation incorrecte, entretien, qualité de l'eau ou de l'entreposage. Pour faire une réclamation selon les conditions de garantie, toutes les pièces supposées défectueuses doivent être conservées et disponible pour retour sur demande à un centre de service sous garantie pour inspection. Les évaluations et décisions du fabricant concernant la validité des réclamations sous garanties sont définitives.

Ces garanties sont transmises à l'utilisateur final et ne sont pas transférables. En qualité de centre de service sous garantie agréé formé par le fabricant, ce dernier honorera les termes de garantie de tous les composants et satisfera les réclamations selon les dispositions des garanties appropriées.

Cette garantie remplace toute autre garantie, expresse ou implicite, notamment et sans limitation toutes les garanties de qualité marchande et d'adaptation à un usage particulier et toutes ces garanties sont déclinées par les présentes et exclues par le fabricant. L'obligation de garantie du fabricant est limitée à la réparation et au remplacement des produits défectueux comme exposé aux présentes et le fabricant décline toute responsabilité en cas d'autres pertes, dommages ou dépenses - y compris les dommages de transport, accidentels, dus à de mauvais traitements, catastrophes naturelles, mauvaise utilisation ou négligence. Les dommages suite à réparations utilisant des pièces approvisionnées auprès d'autres sources que le fabricant ou les modifications effectuées par du personnel autre que celui de l'usine sont également exclus. Faute d'installer et d'exploiter l'équipement conformément aux recommandations exposées dans le manuel d'utilisation, la garantie sera annulée.

LA PRÉSENTE GARANTIE NE COUVRE PAS :

Les dommages résultant du transport (les réclamations doivent être déposées auprès du transporteur), d'un accident, d'un abus, d'un cas de force majeure, d'une mauvaise utilisation ou d'une négligence. Cette garantie ne couvre pas non plus les dommages résultant de réparations ou modifications effectuées par du personnel autre que celui autorisé par l'usine ou le manquement à installer et exploiter l'équipement conformément aux recommandations exposées dans le manuel d'utilisation. Le fabricant décline toute responsabilité vis-à-vis des personnes en cas de dommage consécutif, d'accident corporel ou de perte commerciale.

RESPONSABILITÉ DE L'ACHETEUR D'ORIGINE (UTILISATEUR INITIAL) :

Pour le traitement d'une réclamation sous garantie pour votre laveur sous pression SIMPSON®, signalez le problème au 1 877 362-4271 ou à cservice@FNA-GROUP.COM pour obtenir l'autorisation et les directives concernant le centre de service le plus proche de votre zone. Conservez le reçu de caisse original comme preuve d'achat pour les travaux sous garantie. Prenez un soin raisonnable pour l'utilisation et l'entretien du produit, comme indiqué dans le(s) guide(s) du propriétaire.

LA GARANTIE NE COUVRE PAS :

- Dommages de transport
- Dommages dus à la détérioration chimique, à l'eau salée, à la rouille ou à la corrosion
- Dommages causés par des pièces ou accessoires obtenus d'une autre source qu'un concessionnaire agréé ou non approuvés par le fabricant
- Usure normale des pièces mobiles ou des composants affectés par les pièces mobiles
- Pièces consommables telles que : filtre à carburant, filtre à air, bougie(s) d'allumage, câble de démarreur manuel, huile et lubrifiant(s)
- Travaux d'entretien périodiques normaux tels que le nettoyage du carburateur et la vidange de l'huile moteur
- Dommages dus au gel

MOTEUR ET SYSTÈME DE CONTRÔLE DES ÉMISSIONS

Couvert par la garantie du fabricant du moteur. Voir le guide du moteur pour plus de détails.

POMPE HAUTE PRESSION (DÉFAUTS DE PIÈCES ET MAIN D'ŒUVRE)

SEPT (7) ans à partir de la date d'achat.

CADRE (DÉFAUTS DE PIÈCES ET MAIN D'ŒUVRE)

DIX (10) ans à partir de la date d'achat.

ACCESSOIRES (DÉFAUTS DE PIÈCES ET MAIN D'ŒUVRE)

Y compris les buses, les tuyaux, les pistolets de pulvérisation, les lances, les pneus et les pattes
Quatre-vingt-dix (90) jours à partir de la date d'achat.

REMARQUES

CETTE PAGE A ÉTÉ INTENTIONNELLEMENT LAISSÉE BLANCHE



LIRE ATTENTIVEMENT CE GUIDE AVANT L'UTILISATION

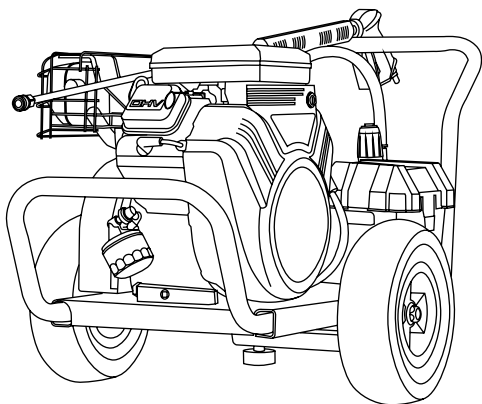
Le fait de ne pas suivre les instructions et les précautions de sécurité de ce guide peut entraîner des dommages matériels, des blessures graves et/ou la mort.

CONSERVEZ CE GUIDE POUR RÉFÉRENCE ULTÉRIEURE



LAVADORA A PRESIÓN

MANUAL DE USO Y CUIDADO



 **MIRA ANTES DE BOMBEAR!**
— Porcentaje de etanol —
—<10% OK NO 15%—30%—85%



LEA ESTE MANUAL DETENIDAMENTE ANTES DE LA OPERACIÓN

El incumplimiento de las instrucciones y precauciones de seguridad de este manual puede provocar daños a la propiedad, lesiones graves y/o la muerte.

Si su lavadora a presión no funciona o si faltan partes o están rotas, NO LA DEVUELVA AL LUGAR DE COMPRA. Comuníquese con nuestro Departamento de Servicio al Cliente llamando al 1-877-362-4271 o enviando un correo electrónico a cservice@fna-group.com

CONSERVE ESTE MANUAL PARA FUTURA REFERENCIA

NOTA: Las fotografías y los dibujos lineales utilizados en este manual son sólo para referencia y pueden no representar su modelo específico.

NOTAS

ESTA PÁGINA SE DEJÓ EN BLANCO INTENCIONALMENTE

CONSERVE ESTE MANUAL PARA USO FUTURO

Conserve este manual para referencia futura. Este manual debe considerarse una parte permanente del producto y permanecer con él. Este manual debe estar disponible para cualquier persona que opere los productos que cubre. Este manual debe permanecer con el (los) producto(s) que cubre si se vende a un nuevo propietario. Si el manual se daña, se pierde o se vuelve inutilizable, puede descargar una nueva copia de las páginas del producto en www.simpsoncleaning.com o comunicarse con el servicio de atención al cliente llamando al 1-877-362-4271.

Anote el número de modelo, el número de serie y la fecha de compra de este producto en los espacios proporcionados a continuación y luego guarde este manual con los recibos de compra para referencia futura.

Número de
modelo:

Número de
serie:

Fecha de
compra:

TABLA DE CONTENIDO

INSTRUCCIONES DE SEGURIDAD	4
Lea este manual antes de la operación	4
Instrucciones adicionales	4
Símbolos de alerta de peligro	4
RENUNCIAS DE RESPONSABILIDAD	6
EQUIPO DE PROTECCIÓN PERSONAL	6
DESEMPAQUE	7
ENSAMBLE	7
Ensamble la pistola rociadora	7
Adición de tapa de respirador de bomba	7
Coloque las boquillas en los soportes	8
CONEXIONES DE LA BATERÍA	8
UBICACIÓN DE COMPONENTE	9
CONEXIÓN DE MANGUERAS	11
PURGA DE AIRE DE LA BOMBA	12
BOQUILLAS	13
Selección de boquillas	13
Instalación de boquillas	13
USO DE PRODUCTOS QUÍMICOS	14
LISTA DE VERIFICACIÓN DE OPERACIÓN	15
Ubicación	15
Operación a gran altitud	16
Condiciones de operación	16
Verificación de aceite del motor	17
Revisión de combustible	19
ARRANQUE DEL MOTOR	21
APAGADO DEL MOTOR	23

CONSEJOS DE OPERACIÓN	23
Términos	23
Preparación	23
Lavado a presión	24
Ajuste de presión	24
SOLUCIÓN DE PROBLEMAS	25
MANTENIMIENTO	27
Mantenimiento	27
Limpieza de lavadora a presión	27
Conexiones	28
Limpieza de boquillas	28
Filtro de entrada de agua	29
Mantenimiento de la bomba	29
Mantenimiento del motor	30
ALMACENAMIENTO Y TRANSPORTE	30
Almacenamiento durante dos meses o menos	30
Almacenamiento durante más de dos meses	31
Transporte	31
USO DE PUMP GUARD SIMPSON®	32
GARANTÍA	33

INSTRUCCIONES DE SEGURIDAD



LEA ESTE MANUAL ANTES DE LA OPERACIÓN

Este manual contiene información e instrucciones de seguridad importantes. **No** opere este producto hasta que haya leído y entendido completamente todas las instrucciones de seguridad, operación y mantenimiento enumeradas en este manual. El incumplimiento de la información contenida en este manual resultará en daños a la propiedad, lesiones y/o muerte.

NOTA: Las advertencias y precauciones discutidas en este manual no pueden cubrir todas las condiciones y situaciones que puedan ocurrir. El operador debe comprender que la conciencia y la precaución son factores que no se pueden incorporar a este producto y, por lo tanto, deben ser ejercidos por el operador.



INSTRUCCIONES ADICIONALES

Junto con este manual, asegúrese de leer las instrucciones adicionales proporcionadas tanto en el producto como en el mismo, el equipo adjunto, los accesorios y el motor que alimenta el producto. Preste especial atención a todas las reglas e instrucciones de seguridad adicionales sobre los procedimientos adecuados de arranque, operación y apagado. Utilice siempre cualquier vestimenta protectora recomendada que pueda ser necesaria para operar el equipo de manera segura.



SÍMBOLOS DE ALERTA DE PELIGRO

Asegúrese de comprender los símbolos de seguridad y las definiciones que se enumeran a continuación. Cada símbolo contiene una de cuatro palabras: **PELIGRO**, **ADVERTENCIA**, **PRECAUCIÓN**, **AVISO**, que indican diferentes niveles de severidad de peligro. Estos símbolos se utilizan a lo largo de este manual y se sigue la información sobre un peligro específico, las consecuencias del peligro y las instrucciones sobre cómo evitarlo. El no prestar atención a estos símbolos y seguir las instrucciones proporcionadas con ellos resultará en daños a la propiedad, lesiones y/o la muerte.



PELIGRO:

Indica una situación de peligro inminente que, si no se evita, provocará daños a la propiedad, lesiones graves y/o la muerte.



ADVERTENCIA:

Indica una situación potencialmente peligrosa que, si no se evita, podría provocar daños a la propiedad, lesiones graves y/o la muerte.



PRECAUCION:

Indica una situación peligrosa que, si no se evita, podría provocar daños a la propiedad y/o lesiones menores a moderadas.

AVISO

Indica información que se considera importante pero no está relacionada directamente con un peligro.

CAUTION



TRIPPING HAZARD

Hoses may pose a tripping hazard that can cause injuries resulting from a fall

PRECAUCION:

PELIGROS DE RESBALÓN / TROPIEZO

Cuando se lave a presión en áreas públicas, se deben colocar letreros que indiquen mantenerse alejado del área mientras se realiza el lavado a alta presión. Además, se deben colocar letreros que indiquen que la superficie puede estar resbaladiza y que puede haber riesgos de tropiezos.

Se debe prestar especial atención a la seguridad no solo del operador de la lavadora a presión, sino también de las personas que puedan estar junto al área que se está limpiando. La mejor manera de advertir a las personas desprevenidas es con señalización y barreras.

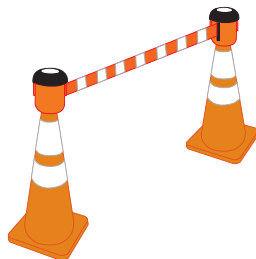
Las barreras pueden ser tan simples como conos de tráfico de plástico o barricadas para usar cinturones de barrera alrededor del área que se está limpiando. Recuerde, el lavado a presión puede desalojar el pavimento débil o roto convirtiéndolo en proyectiles que pueden lesionar a otros. Mantener a las personas alejadas del área es la mejor manera de evitar lesiones.

El pavimento mojado puede ser resbaladizo para las personas desprevenidas y causar lesiones por resbalones y caídas. Las mangueras de alta y baja presión pueden representar un riesgo de tropiezo. Segregar el área y colocar la señalización adecuada puede reducir las lesiones.

Ejemplos de signos



Ejemplos de barreras



AVISO

Este aparato no está diseñado para ser utilizado por personas (incluyendo niños) con capacidades físicas, sensoriales o mentales reducidas, o falta de experiencia y conocimiento, a menos que hayan recibido supervisión o instrucciones sobre el uso del aparato por parte de una persona responsable de su seguridad.

Los niños deben ser supervisados para asegurarse que no jueguen con el aparato.



ADVERTENCIA DE PROPUESTA 65 DE CALIFORNIA

Este producto y el escape del motor pueden exponerlo a sustancias químicas que en el estado de California se sabe que causan cáncer, defectos de nacimiento u otros daños reproductivos. Para obtener más información sobre la Propuesta 65 de California, visite www.P65Warnings.ca.gov.



ADVERTENCIA DE HIDROCARBUROS AROMÁTICOS POLICÍCLICOS

El elemento del filtro de aire y el ensamble de la caja de aire pueden contener hidrocarburos aromáticos policíclicos (HAP). Algunos HAP pueden causar cáncer. Para evitar la exposición a los HAP, use guantes cuando realice el mantenimiento del filtro de aire.

RENUNCIAS DE RESPONSABILIDAD

- Toda la información de esta publicación se basó en la información de producto más reciente disponible en el momento de la impresión. FNA Group se reserva el derecho de actualizar, cambiar y/ mejorar el producto y este documento en cualquier momento, sin previo aviso y sin incurrir en ninguna obligación.
- Este manual puede cubrir más de una máquina. Las imágenes y figuras del manual deben usarse sólo como referencia. Puede haber diferencias entre su producto y las imágenes, dibujos y diagramas de este manual.

EQUIPO DE PROTECCIÓN PERSONAL(EPP)

Es importante comprender qué equipo de protección personal (EPP) se debe utilizar al usar su lavadora a presión. A continuación se muestra una lista de artículos de EPP que deben utilizarse en todo momento cuando se usa la lavadora a presión.

Audición - Tapones para los oídos u orejeras para proteger su audición.

Visión - Anteojos o gafas de seguridad para proteger sus ojos.

Ropa - Pantalones largos para proteger las piernas de los escombros que son arrojados.

Zapatos - Zapatos que cubran completamente sus pies para protegerlos contra los escombros y el rocío.

DESEMPAQUE

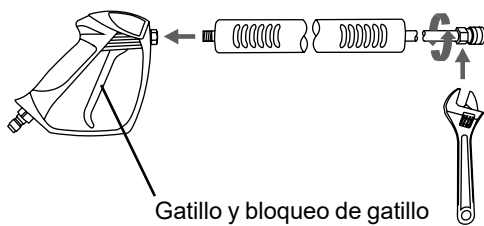
Siga los pasos descritos en esta sección para desempacar y ensamblar su lavadora a presión. Si tiene alguna pregunta sobre el desempaque o el ensamble de su lavadora a presión, tenga a mano su número de modelo y número de serie, y comuníquese con atención al cliente al 1-877-362-4271 o envíe un correo electrónico a cservice@fna-group.com.

1. Coloque el cartón de envío sobre una superficie sólida y plana.
2. Corte con cuidado la parte superior de la caja para abrirla.
3. Corte con cuidado cada esquina de la caja de arriba a abajo.
4. Coloque cada lado de la caja de cartón en el suelo.
5. Retire el contenido del cartón.

ENSAMBLE

Ensamble la pistola rociadora

Enrosque a mano la lanza en el sentido de las manecillas del reloj en la pistola. Tenga cuidado de no trasroscar la pistola y la lanza. Con una llave ajustable, apriete la lanza colocando la llave en las partes planas del conector rápido de la boquilla.



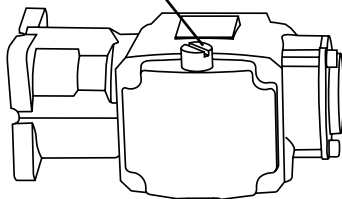
¡ADVERTENCIA! Las roscas del acoplador de la lanza y la pistola se pueden trasroscar fácilmente, lo que resulta en un montaje inadecuado. Un montaje incorrecto de la pistola y la lanza puede provocar lesiones personales. No lo use si las roscas del acoplador de la pistola y/o la lanza están trasroscadas.

Adición de tapa de respirador de bomba (si aplica)

Hay un tapón de transporte ROJO en la bomba que debe reemplazarse con una tapa de ventilación NEGRA. El tapón es fácil de reemplazar con los siguientes pasos:

1. Con un destornillador plano, quite el tapón ROJO de transporte de la parte superior de la bomba.
2. Enrosque a mano la tapa NEGRA del respiradero en la bomba.
3. Apriete la tapa con los dedos.

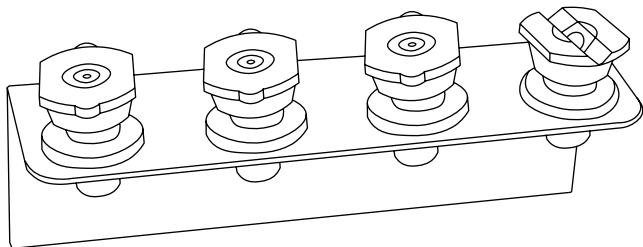
Tapón de transporte ROJO



Tapón de respirador NEGRO

Coloque las boquillas en los soportes.

Coloque las boquillas en el portaboquillas ubicado en la placa base de la lavadora a presión.



ADVERTENCIA:

LISTA DE VERIFICACIÓN DE OPERACIÓN

Intentar arrancar el motor incorrectamente o usar la lavadora a presión incorrectamente puede resultar en daño al motor y/o lavadora a presión, y puede causar lesiones serias o la muerte. Para evitar estos peligros, asegúrese de leer, comprender y seguir los pasos descritos en la sección LISTA DE VERIFICACIÓN DE OPERACIÓN del manual del propietario antes de arrancar el motor, y siga todas las pautas para el uso adecuado de la lavadora a presión.

CONEXIONES DE LA BATERÍA

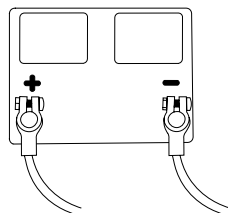


PELIGRO:

RIESGO DE QUEMADURAS POR ÁCIDO

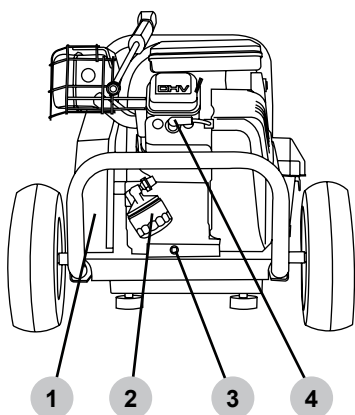
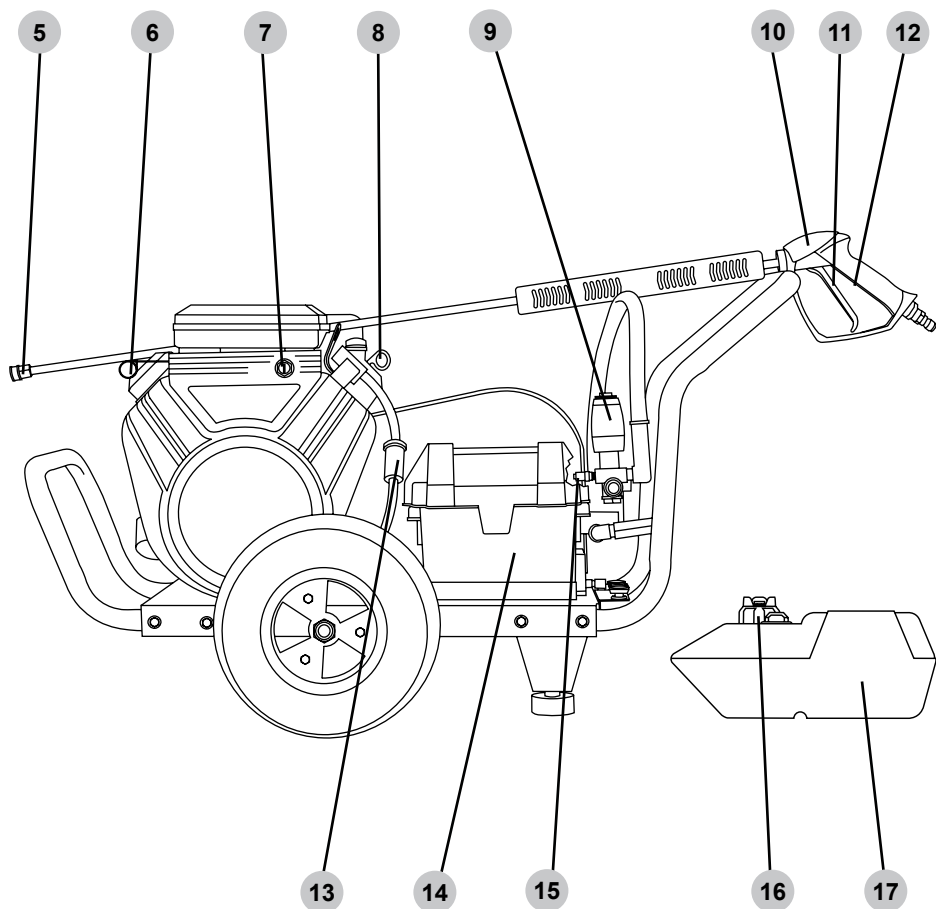
La lavadora a presión no viene con batería. Debe instalar una batería de tamaño U1 antes de usar la lavadora a presión.

1. Retire la tapa de la caja de la batería.
2. Coloque con cuidado la batería en la caja de la batería.
3. Coloque el cable rojo positivo (+) de la batería en el poste positivo (+) de la batería. Apriete el conector.
4. Coloque el cable negro negativo (-) de la batería en el borne negativo (-) de la batería. Apriete el conector.
5. Vuelva a colocar la tapa en la caja de la batería.

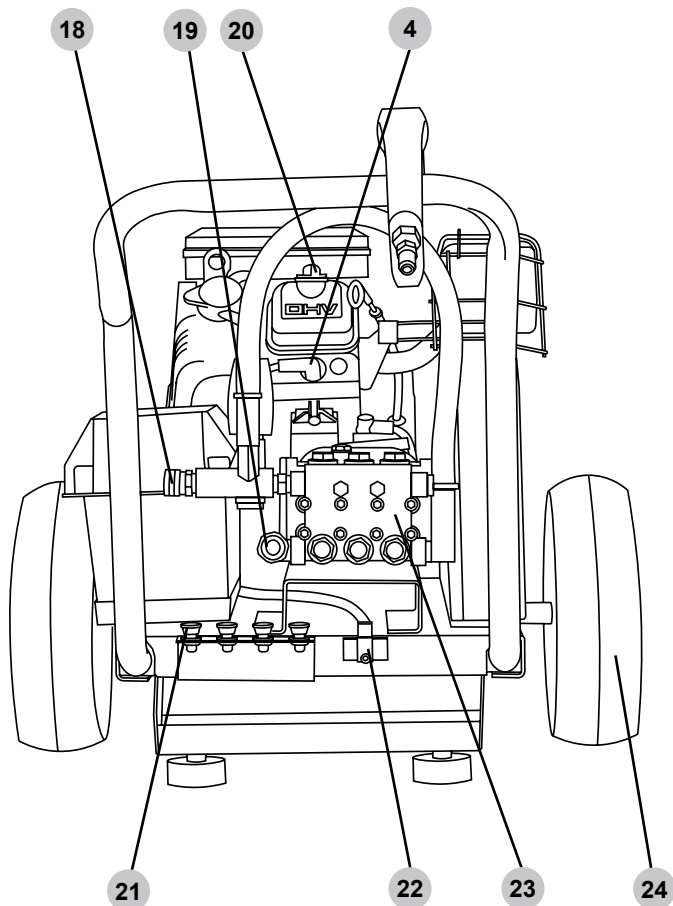


¡ADVERTENCIA! Retire siempre el cable negro negativo (-) de la batería primero y siempre conecte el cable negro negativo (-) de la batería al final.

UBICACIÓN DE COMPONENTE



1. Protección de correa
2. Filtro de aceite
3. Tapón de drenaje de aceite del motor
4. Bujía
5. Conector rápido de varilla de rocío
6. Estrangulador del motor
7. Arranque con llave de motor
8. Varilla de nivel de aceite del motor
9. Perilla de control de descargador
10. Pistola rociadora
11. Gatillo de pistola rociadora
12. Bloqueo de gatillo de pistola rociadora

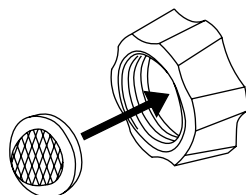


- 13. Filtro de combustible del motor
- 14. Caja de batería
- 15. Válvula de alivio térmico
- 16. Tapa de llenado de combustible
- 17. Tanque de combustible fuera de borda
- 18. Salida de bomba de alta presión
- 19. Acoplador de manguera de jardín y filtro de entrada de agua
- 20. Tapón del depósito de aceite
- 21. Soportes de boquilla
- 22. Conector rápido de línea de combustible
- 23. Bomba
- 24. Rueda

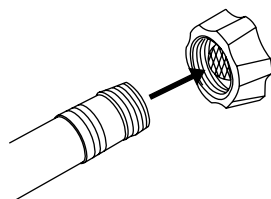
CONEXIÓN DE MANGUERAS

Antes de conectar una manguera de suministro de agua, asegúrese que el suministro de agua sea capaz de proporcionar una fuente ininterrumpida de agua fría y limpia a una velocidad mínima de 5 galones por minuto (GPM) y 20 libras por pulgada cuadrada (PSI) de presión. Una vez que haya asegurado un suministro de agua adecuado, siga las instrucciones a continuación para conectar tanto el suministro de agua como las mangueras de alta presión a la lavadora a presión.

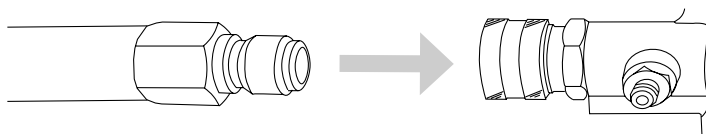
1. Verifique que el filtro de entrada esté libre de suciedad o escombros y que esté en su lugar con el lado convexo hacia afuera.



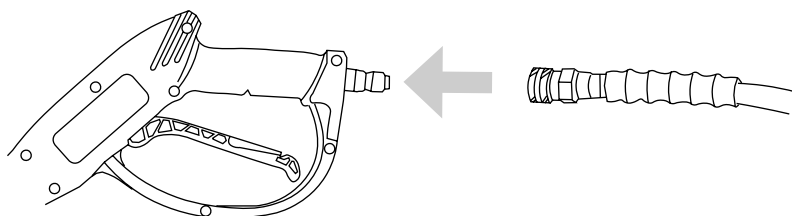
2. Abra el suministro de agua y déjelo correr durante 30 segundos para purgar cualquier residuo de la manguera de suministro. Después, cierre el suministro de agua y enrosque la manguera de suministro de agua en la entrada de la bomba.



3. Mientras jala hacia atrás del collar de salida de la bomba, inserte el conector de la manguera y después suelte el collar. Jale suavemente la manguera para asegurarse que esté bloqueada.



4. Mientras jala hacia atrás del collar de salida de la manguera, inserte el conector de la pistola y después suelte el collar. Jale suavemente la manguera para asegurarse que esté bloqueada.



PURGA DE AIRE DE LA BOMBA



AVISO

PURGA DE BOMBA

Operar una bomba de lavadora a presión sin agua dañará gravemente los sellos de la bomba y otros componentes internos. Para evitar este peligro, asegúrese que el suministro de agua sea ininterrumpido y de por lo menos 5 GPM a 20 PSI y siempre purgue el aire de la bomba de la lavadora a presión antes de arrancar el motor.



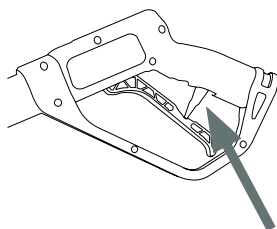
ADVERTENCIA:

LESIÓN POR INYECCIÓN

Las altas presiones creadas por una lavadora a presión pueden causar lesiones por inyección de líquido, laceraciones graves, amputaciones y/o la muerte. Para evitar estos peligros, siempre apunte la pistola rociadora y la lanza en una dirección segura cuando use una lavadora a presión y nunca intente tocar una fuga en una manguera o accesorio de alta presión.

Una bomba de lavado a presión está diseñada para funcionar con agua que fluye a través de ella. El agua lubrica y enfría los componentes internos de la bomba. Operar una bomba de lavadora a presión sin agua dañará gravemente los sellos de la bomba y otros componentes internos. Los daños causados por operar la bomba de la lavadora a presión sin agua no están cubiertos por la garantía. Asegúrese de seguir las instrucciones a continuación para purgar correctamente el aire de la bomba de la lavadora a presión antes de arrancar el motor.

1. Conecte todas las mangueras siguiendo los pasos descritos en la sección CONEXIÓN DE MANGUERAS de este manual y luego abra la fuente de agua fría.
2. Apunte la pistola rociadora en una dirección segura, después apriete y mantenga presionado el gatillo durante por lo menos 30 segundos o hasta que el agua fluya de manera constante y se purgue todo el aire de la bomba y las mangueras.
3. Revise las mangueras y conexiones respecto a fugas. Si se encuentran fugas, apague la máquina, apunte la pistola rociadora en una dirección segura y apriete el gatillo para aliviar cualquier presión acumulada en el sistema. Nunca intente tocar una fuga en una manguera o accesorio de alta presión. Nunca intente reparar una manguera de alta presión.
4. Conecte el seguro del gatillo.



BOQUILLAS

Selección de boquillas

Las boquillas suministradas con la lavadora a presión tienen patrones de rociado específicos diseñados para limpiar diferentes superficies. El uso de una boquilla incorrecta puede dañar las superficies. Consulte la siguiente tabla para seleccionar la boquilla correcta antes de usar la lavadora a presión. **NOTA:** La selección de boquillas incluidas puede variar según los modelos de lavadoras a presión.

Color	5-N-1 (si está equipado)	Patrón de rociado	Usos	Superficies
Rojo	0° HIGH PRESSURE	0°	Limpieza de puntos de superficies duras, sin pintar y áreas de alto alcance	Metal y hormigón sin pintar NO usar en madera.
Amarillo	15° HIGH PRESSURE	15°	Limpieza intensa de superficies sin pintar	Parrillas, entradas para vehículos, pasillos de concreto y ladrillo, bloque y estuco sin pintar
Verde	25° HIGH PRESSURE	25°	Boquilla de limpieza estándar para la mayoría de aplicaciones	Herramientas de jardín, aceras, muebles de jardín, revestimientos sin pintar, estuco, canaletas, aleros, superficies de concreto y ladrillo
Blanco	40° HIGH PRESSURE	40°	Limpieza de superficies pintadas o delicadas	Automóvil, camión, RV, marino, madera, ladrillo pintado, estuco pintado, vinilo y revestimiento pintado
Negro	SOAP LOW PRESSURE	Jabón	Aplica soluciones de limpieza	Seguro en todas las superficies. Siempre verifique la compatibilidad de las soluciones de limpieza antes de su uso.



AVISO

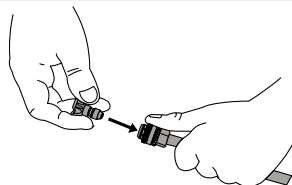
DAÑO POR ROCÍO

El rociado de alta presión puede dañar las plantas y otras superficies. Para evitar causar daños, cubra las plantas antes de rociar cerca de ellas, consulte la tabla de Selección de boquillas en este manual para la selección correcta de boquillas y pruebe las superficies antes de rociar para asegurarse que sean lo suficientemente fuertes para resistir el rociado de alta presión.

Instalación de boquillas

Si el motor está funcionando, asegúrese que el bloqueo del gatillo esté en la posición bloqueada antes de retirar e instalar las boquillas.

Para colocar una boquilla en la varilla de rociado, jale el acoplador de conexión rápida hacia atrás, inserte la boquilla y luego suelte el acoplador para que vuelva a colocarse en su lugar. Una vez instalada, jale la boquilla para asegurarse que quede fija.



USO DE PRODUCTOS QUÍMICOS *(si es aplicable)*

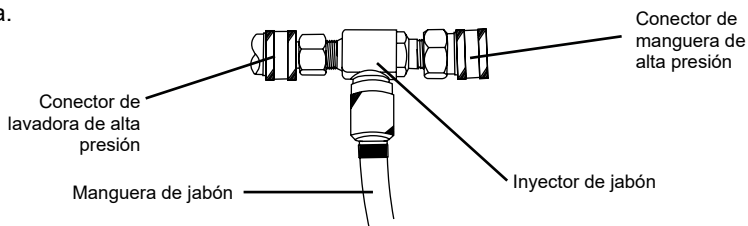


AVISO

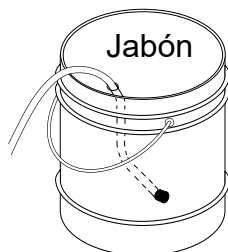
LÍQUIDOS VOLÁTILES

El lavado a presión con líquidos volátiles, inflamables o corrosivos podría causar daños, incendio o explosión en la lavadora a presión y provocar lesiones graves y/o la muerte. Para evitar estos peligros, use únicamente jabones y productos químicos aprobados, no intente lavar a presión con líquidos volátiles, inflamables o corrosivos y NUNCA use blanqueador.

1. Asegúrese que el inyector de jabón externo esté conectado a la salida de alta presión de la lavadora.

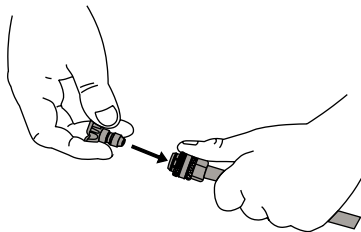


2. Coloque el extremo filtrado de la manguera de jabón en un recipiente con jabón.



3. Si el motor está funcionando, asegúrese que el bloqueo del gatillo esté en la posición bloqueada antes de retirar e instalar las boquillas.

4. Inserte la boquilla negra en la varilla rociadora de acuerdo con la sección Instalación de boquilla de este manual. **NOTA:** Los jabones no se filtrarán si la boquilla de jabón negra no está instalada en la varilla rociadora.



5. Después de usar jabón, coloque el extremo filtrado de la manguera de jabón en un recipiente con agua limpia y opere la lavadora a presión extrayendo agua limpia a través de la manguera y la bomba hasta que el sistema esté completamente enjuagado. Si queda jabón u otros productos químicos en la bomba, la bomba podría dañarse. La garantía no cubre los daños a la bomba por residuos de jabón o químicos.

LISTA DE VERIFICACIÓN DE OPERACIÓN

Ubicación

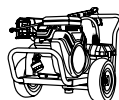
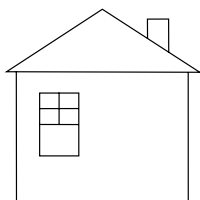
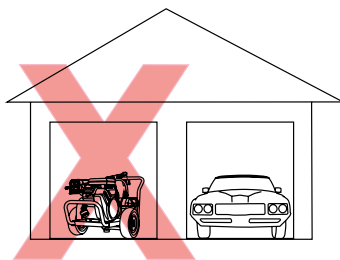
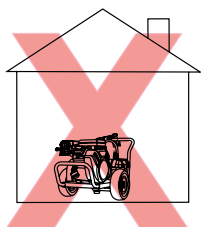
Coloque la lavadora a presión en una superficie nivelada en el exterior en un área bien ventilada antes de ponerla en operación. Mantenga todos los materiales inflamables por lo menos a cinco pies de distancia de todos los lados del producto.

- Nunca use la lavadora a presión dentro de una casa, garaje o cualquier otro tipo de recinto, incluso si las puertas y ventanas están abiertas. Opere el motor en el exterior por lo menos a 20 pies (6 metros) de distancia de ventanas, puertas y ductos de ventilación. Considere cuidadosamente la dirección del viento y las corrientes de aire cuando utilice la lavadora a presión en exteriores para evitar respirar el escape del motor.
- Siguiendo las instrucciones y recomendaciones del fabricante, instale alarmas de monóxido de carbono que funcionen con baterías en cualquier edificio ocupado cerca del motor en funcionamiento.
- Si siente dolor de cabeza, náuseas, mareos, somnolencia o debilidad mientras la lavadora a presión está en operación, salga al aire libre y busque atención médica de inmediato.



! ADVERTENCIA: VAPORES TÓXICOS

El escape del motor contiene monóxido de carbono, un gas venenoso, inodoro e incoloro. Operar un motor en interiores lo matará en minutos. Nunca use este producto dentro de una casa, garaje o cualquier otro tipo de recinto, incluso si las puertas y ventanas están abiertas. Opere el motor en el exterior por lo menos a 20 pies (6 metros) de distancia de ventanas, puertas y ductos de ventilación. Considere cuidadosamente la dirección del viento y las corrientes de aire cuando utilice este producto al aire libre para evitar respirar el escape del motor. Siempre utilice un detector de monóxido de carbono en cualquier edificio ocupado cerca del motor en operación.



Operación a gran altitud

Este motor tendrá el desempeño adecuado del motor y el control de emisiones cuando se opere a una altitud de 5000 pies (1524 metros) o menos. Este motor requiere un juego de carburador de gran altitud para garantizar el desempeño adecuado del motor y el control de emisiones cuando se opera a altitudes superiores a 5000 pies (1524 metros). Operar la máquina con la configuración incorrecta del motor por encima de 5000 pies (1524 metros) puede aumentar sus emisiones, disminuir la eficiencia y el desempeño del combustible. Para obtener un juego de carburador para gran altitud, comuníquese con el centro de servicio autorizado más cercano.



AVISO

ALTITUD

Operar el motor con un juego de chorro de carburador para gran altitud a una altitud inferior a 5000 pies (1524 metros) hará que el motor se caliente demasiado. El sobrecalentamiento del motor puede provocar daños graves en el motor. Para evitar este peligro, asegúrese que esté instalado el juego de carburador correcto y que la mezcla de aire/combustible esté ajustada correctamente para su altitud.

Condiciones de operación

Antes de cada uso, verifique si hay piezas sueltas o dañadas, fugas y/o cualquier otra condición que pueda afectar la operación correcta. Repare o reemplace todas las partes dañadas y/o defectuosas inmediatamente. Mantenga siempre todas las protecciones de seguridad en su lugar y en buen estado de operación. Por razones de seguridad, el fabricante recomienda que todo el mantenimiento y las reparaciones las realice un centro de servicio autorizado.

Antes de arrancar el motor, elimine el exceso de suciedad y escombros de las rejillas de ventilación, el escape y las áreas de retroceso del motor de arranque. Siempre opere la lavadora a presión en una superficie nivelada y nunca mueva ni incline la lavadora a presión mientras está en operación. Use la lavadora a presión sólo para el propósito para el que fue diseñada. Si tiene preguntas sobre el uso adecuado de su lavadora a presión, comuníquese con el servicio de atención al cliente al 1-877-362-4271 o cservice@fna-group.com.



ADVERTENCIA:

**OPERACIÓN SIN
CAPACITACIÓN**

Los adultos y los niños no capacitados pueden sufrir lesiones graves o morir si se les permite operar incorrectamente o jugar con la lavadora a presión en funcionamiento. Para evitar estos peligros, asegúrese que cualquier persona que opere la lavadora a presión reciba instrucciones adecuadas, entienda la operación segura, y haya leído el manual del propietario antes de operar este producto. No permita que niños operen la lavadora a presión sin supervisión de los padres. Mantenga a los niños y mascotas alejados de la lavadora a presión mientras está en operación. Siempre apague la lavadora a presión antes de abandonar el área.



ADVERTENCIA:

LESIÓN POR INYECCIÓN

Las altas presiones creadas por una lavadora a presión pueden causar lesiones por inyección de líquido, laceraciones graves, amputaciones y/o la muerte. Para evitar estos peligros, siempre apunte la pistola rociadora y la lanza en una dirección segura cuando use una lavadora a presión y nunca intente tocar una fuga en una manguera o accesorio de alta presión.



! ADVERTENCIA:

REVISIÓN ANTES DE OPERACIÓN

No revisar este producto antes de su uso podría crear una situación peligrosa que resulte en daños al producto, lesiones graves y/o la muerte. Para evitar estos peligros, revise la lavadora a presión antes de cada uso. Verifique si hay partes sueltas o dañadas, señales de fugas de aceite o combustible, protecciones faltantes, ventilas de enfriamiento obstruidas, o cualquier otra condición que pueda afectar la operación adecuada. Repare o reemplace todas las partes dañadas o defectuosas y mantenga todas las protecciones de seguridad en su lugar y en buenas condiciones de operación antes de usar la lavadora a presión.



! PRECAUCION:

SUPERFICIES CALIENTES

Un motor en operación produce calor. Las superficies del motor, otros componentes relacionados y los gases de escape del motor se calientan lo suficiente como para causar quemaduras leves moderadas o encender materiales al entrar en contacto. Para evitar quemaduras, no toque las superficies del motor ni los gases de escape mientras está en funcionamiento y deje que el motor se enfríe completamente antes de moverlo, tocarlo o realizar cualquier mantenimiento. Para evitar un incendio, mantenga todos los materiales inflamables al menos a cinco pies de distancia de todos los lados del producto.



! ADVERTENCIA:

PARTES MÓVILES

Este producto tiene muchas partes que se mueven a altas velocidades. Las partes móviles pueden causar lesiones por aplastamiento, fracturas, laceraciones severas, y/o amputaciones traumáticas. Para evitar lesiones, nunca coloque los dedos, manos, pies, u otras partes del cuerpo cerca del motor en operación. Nunca opere el productor con las cubiertas, aros de refuerzo u otras protecciones retirados. No use ropa holgada, cordones que cuelguen, o cualquier otro artículo que cuelgue que se pudiera enredar en las partes móviles durante la operación. Ate el cabello largo y quítese las joyas antes de operar.

Verificación de aceite del motor



! PRECAUCION:

ACEITE CALIENTE

El aceite caliente puede provocar quemaduras graves. Para evitar quemarse al cambiar o revisar el aceite del motor, use guantes adecuados y cambie el aceite cuando el motor esté tibio pero no caliente.



AVISO

SENSOR DE ACEITE BAJO

El sensor de bajo nivel de aceite (si está equipado) detendrá automáticamente el motor cuando el nivel de aceite caiga por debajo del límite de seguridad. Para evitar un paro inesperado, verifique el nivel de aceite antes de cada uso, llene hasta el límite superior y siempre opere el motor en una superficie nivelada.



AVISO

LLENE EL ACEITE DEL MOTOR ANTES DEL USO

El motor se envía de fábrica sin aceite. Operar el motor sin aceite resultará en daños severos al motor y anulará la garantía. Para evitar dañar el motor y anular la garantía, llene el motor con el tipo de aceite recomendado antes de arrancar.

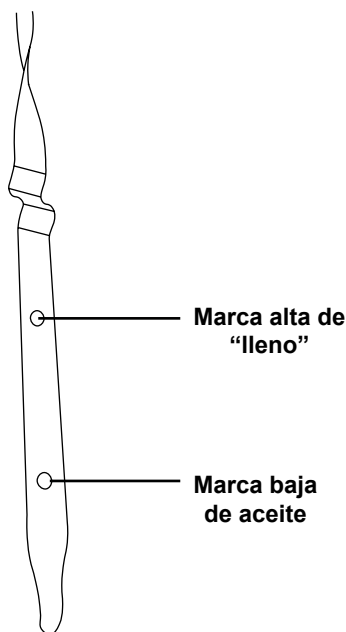


AVISO

USE ACEITE DE MOTOR CORRECTO

El aceite es un factor importante en el desempeño y la vida útil de cualquier motor. El uso de aceite incorrecto puede dañar el motor y anular la garantía. Para evitar dañar el motor y anular la garantía, revise y cambie el aceite conforme sea necesario utilizando el aceite de motor correcto.

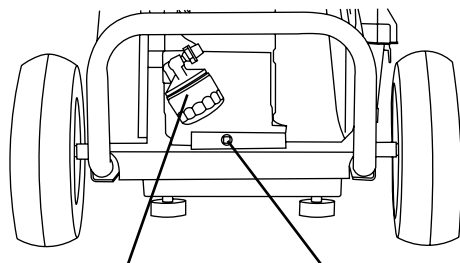
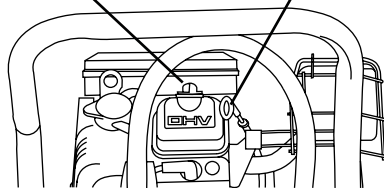
1. Revise el aceite con la hidrolavadora sobre una superficie nivelada y el motor apagado.
2. Retire la varilla de nivel de aceite; límpiela con una toalla de papel.
3. Inserte completamente la varilla medidora limpia en el pico.
4. Retire la varilla medidora. El nivel de aceite debe estar en, pero no por encima, la marca completa o alta.
5. Si el nivel de aceite es bajo, agregue el aceite recomendado al cárter hasta que el nivel alcance la marca de lleno o alto en la varilla medidora. Consulte el manual del motor para conocer el aceite recomendado.
6. Place the dipstick back into the spout fully.



Varilla de aceite

Tapón del depósito de aceite

Varilla graduada



Filtro de aceite

Tapón de drenaje de aceite

Revisión de combustible



ADVERTENCIA:

ABASTECIMIENTO DE COMBUSTIBLE

La gasolina es altamente inflamable y sus vapores son extremadamente explosivos. Los incendios y explosiones pueden causar quemaduras graves y/o la muerte. Mantenga la gasolina alejada de llamas, chispas y otras fuentes de ignición. Rellene el combustible al aire libre en un área bien ventilada con el motor parado y frío. Limpie la gasolina derramada y deje que el motor se seque antes de arrancar. Mantenga un extintor de incendios a mano mientras recarga combustible. No opere el motor con fugas en el sistema de combustible. No almacene gasolina cerca de otros materiales inflamables.



AVISO

GASOLINA VIEJA

La gasolina vieja puede crear depósitos que obstruyan los sistemas de combustible y dificulten el arranque y desempeño deficiente. Los daños causados por combustible viejo no están cubiertos por la garantía. Para minimizar los depósitos, evitar problemas de desempeño relacionados con el combustible antiguo y evitar costosos trabajos de reparación, no utilice gasolina con una antigüedad superior a 30 días.



AVISO

MEZCLAS DE ALCOHOL

El uso de gasolina con una mezcla de alcohol superior al 10% (E10) dañará el motor. Los daños causados por el uso de una mezcla de alcohol del 15% (E15), 85% (E85) o cualquier otra mezcla de alcohol superior al 10% (E10) no están cubiertos por la garantía. Para evitar daños en el motor causados por una mezcla de alcohol demasiado alta, use gasolina con un 10% de alcohol (E10) o menos.



AVISO

ADITIVOS DE GASOLINA

El uso de aditivos de limpieza del sistema de combustible puede dañar el motor y los sistemas de combustible. Los daños causados por el uso de aditivos de limpieza del sistema de combustible no están cubiertos por la garantía. Para evitar daños al motor y al sistema de combustible, no utilice aditivos de limpieza del sistema de combustible.



AVISO

ALMACENAMIENTO DE GASOLINA

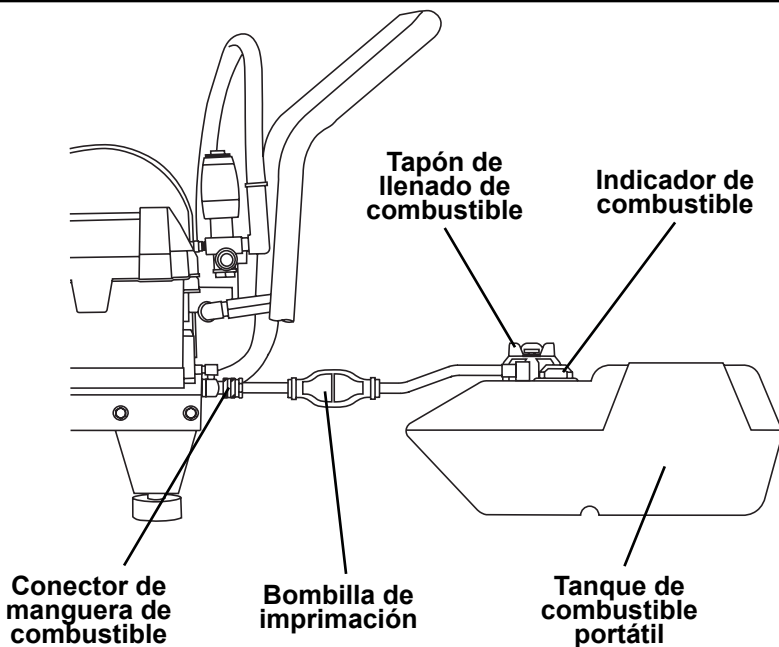
Es importante evitar que se formen depósitos de hule en las partes esenciales del sistema de combustible, como el carburador, el filtro de combustible, la manguera de combustible o el tanque durante el almacenamiento. Los combustibles mezclados con alcohol (también llamados gasohol, etanol o metanol) atraen la humedad, lo que conduce a la separación y formación de ácidos durante el almacenamiento. Los depósitos de combustible ácido y goma pueden dañar el sistema de combustible del motor mientras está almacenado. Los daños causados por el uso de combustible viejo, rancio o contaminado no están cubiertos por la garantía.



AVISO

NO LLENE DEMASIADO EL TANQUE DE COMBUSTIBLE

El llenado excesivo del tanque de combustible puede provocar daños en el cartucho de carbón (si está equipado), un desempeño deficiente del motor y anular la garantía. Para evitar estos peligros, no llene el tanque de combustible por encima del nivel máximo.



1. Coloque el tanque de combustible portátil en el suelo detrás de la lavadora a presión.
2. Conecte la manguera de combustible a la lavadora a presión mediante el uso del conector rápido.
3. Retire el tapón de llenado de combustible y luego proceda a llenar el tanque hasta que el indicador alcance la marca FULL. No use gasolina que tenga más de 30 días. Utilice únicamente gasolina regular sin plomo limpia y fresca con un octanaje mínimo de 87. No mezcle aceite con gasolina. No use gasolina que contenga más del 10% de alcohol etílico. E15, E20 y E85 no son combustibles aprobados y no deben usarse. NUNCA llene el tanque cuando esté encima o dentro de un vehículo; la electricidad estática podría causar una explosión.
4. Vuelva a colocar la tapa de llenado en el pico, enrosque a mano la tapa hasta que quede ajustada.
5. Use la bombilla de cebado para bombear gasolina al motor. Arrancar el motor sin cebar la línea de combustible hará que el motor no arranque rápidamente, lo que podría dañar el motor de arranque debido a un arranque excesivo.

NOTA: El uso de un estabilizador de combustible (se vende por separado) al almacenar gasolina puede ayudar a prevenir problemas relacionados con el almacenamiento de gasolina mezclada con alcohol etanol. Siempre siga las instrucciones proporcionadas por el fabricante del estabilizador de combustible para mezclar y usar correctamente.

ARRANQUE DEL MOTOR



! ADVERTENCIA:

LISTA DE VERIFICACIÓN DE OPERACIÓN

Intentar arrancar el motor incorrectamente o usar la lavadora a presión incorrectamente puede resultar en daño al motor y/o lavadora a presión, y puede causar lesiones serias o la muerte. Para evitar estos peligros, asegúrese de leer, comprender y seguir los pasos descritos en la sección LISTA DE VERIFICACIÓN DE OPERACIÓN del manual del propietario antes de arrancar el motor, y siga todas las pautas para el uso adecuado de la lavadora a presión.



AVISO

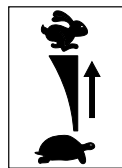
DAÑO DE LA BOMBA

Operar la lavadora a presión durante más de dos minutos sin apretar el gatillo de la pistola rociadora sobrecalentará la bomba y posiblemente causará daños. La válvula de alivio térmico se abrirá y rociará agua para ayudar a enfriar la bomba a medida que se sobrecalienta. Para evitar el sobrecalentamiento de la bomba, apague el motor si no la va a utilizar durante más de dos minutos.

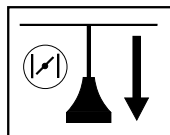
Arranque del motor

1. Complete los pasos de la sección LISTA DE VERIFICACIÓN DE FUNCIONAMIENTO de este manual antes de arrancar el motor. Si no lo hace, podría dañar la bomba o el motor. Si es necesario, consulte el Manual del propietario del motor para obtener instrucciones de arranque específicas.
2. Ceba la línea de combustible como se describe en la sección COMPROBACIÓN DEL COMBUSTIBLE de este manual.

3. Deslice el acelerador a la posición RUN (si está equipado).

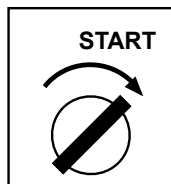


4. Saque el estrangulador para arrancar un motor FRÍO. Empuje para un motor CALIENTE.



NOTA: La posición de arranque del estrangulador variará de acuerdo con la temperatura del motor. Si arranca un motor frío, mueva la palanca del estrangulador hacia la posición CHOKE. Si arranca un motor caliente, mueva la palanca del estrangulador hacia la posición RUN.

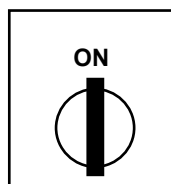
5. Gire la llave más allá de la posición ON hasta la posición START. Permita que el motor arranque. Si el motor no arranca después de 5 segundos. Suelte la llave y deje que el motor de arranque se enfríe durante un minuto.



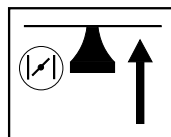
⚠ ADVERTENCIA: DAÑO EN EL ARRANQUE

No intente hacer girar continuamente el motor durante más de cinco segundos a la vez. Si el motor no arranca, deje que el motor de arranque se enfríe durante un minuto antes de intentar volver a arrancar el motor. Intentar continuamente arrancar el motor dañará el motor de arranque.

6. Una vez que el motor haya arrancado, permite que la llave regrese a la posición ON.



7. Empuje lentamente la palanca del estrangulador a medida que el motor se calienta. Si el motor falla, tire del estrangulador hasta que el motor se haya calentado.



8. Permita que el motor se caliente durante 1-2 minutos antes de usar el producto.

APAGADO DEL MOTOR



AVISO

DAÑO DE LA BOMBA

Cerrar el suministro de agua a su bomba con el motor en operación dañará la bomba. Los daños causados por operar la bomba sin agua no están cubiertos por la garantía. Para evitar este peligro, apague siempre el motor antes de cerrar el suministro de agua.

1. Ajuste el bloqueo del gatillo en la pistola rociadora.
2. Deslice el acelerador a la posición SLOW (si está equipado).
3. Gire el interruptor del motor a la posición OFF.
4. Cierre el suministro de agua.
5. Suelte el seguro del gatillo y después apriete el gatillo de la pistola rociadora para aliviar la presión en la manguera y la bomba.
6. Deje que el motor se enfríe completamente antes de manipularlo y almacenarlo.

CONSEJOS DE OPERACIÓN

Términos

- PSI - Libras por pulgada cuadrada (PSI) es la unidad para medir la presión del agua. En relación con una lavadora a presión, cuanto mayor sea el número de PSI, mayor será la presión y el potencia de extracción producidos.
- GPM - Galones por minuto (GPM) es el caudal de agua. En relación a una lavadora a presión, cuanto mayor sea el GPM, mayor será el caudal o potencia de enjuague producida.
- CU - Las unidades de limpieza expresan la eficiencia de la lavadora a presión. Las unidades de limpieza se calculan multiplicando el PSI por el GPM. Cuanto mayor sea la CU, será más eficiente la lavadora a presión.

Preparación

- Lea todas las advertencias e instrucciones en éste y todos los manuales que vienen con la lavadora a presión.
- Retire todos los juguetes, bicicletas, muebles de jardín, etc. del área de trabajo si no se van a limpiar.
- Barra la suciedad suelta y los escombros de la superficie que lavará a presión.
- Cubra las plantas cercanas para evitar dañarlas con el rociador de agua a presión.
- Tenga cuidado al rociar ventanas. Utilice siempre la boquilla blanca de 40° y manténgase por lo menos a 4 pies de distancia.
- Coloque lonas para recoger los pedazos de pintura y otros desechos que se desprendan con el rocío. Las pinturas exteriores usadas antes de 1977 pueden contener plomo y producirán astillas que deberán recolectarse y desecharse en una instalación de desechos peligrosos.

Lavado a presión

- Un rociado más ancho equivale a una limpieza más rápida, mientras que un rociado más apretado equivale a una limpieza más profunda.
- Mantenga la boquilla a unos 4 pies de distancia del revestimiento para evitar daños.
- Comience a lavar el revestimiento en la parte inferior y avance hacia arriba, luego enjuague de arriba hacia abajo.
- Evite que el agua suba detrás del revestimiento.
- Utilice pasadas superpuestas para una limpieza uniforme.
- Trabaje en áreas pequeñas para evitar que el jabón se seque.
- No apunte la boquilla directamente a la superficie. Sostenga la varita en un ángulo de 45° con respecto a la superficie a una distancia que limpie bien sin causar daños.

Ajuste de presión

El ajuste de presión está predeterminado de fábrica para lograr una presión y una limpieza óptimas. Si necesita bajar la presión, se puede lograr mediante los siguientes métodos.

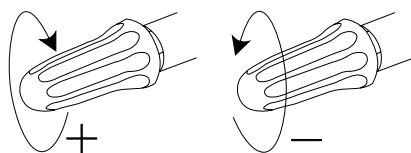
- Aléjese de la superficie a limpiar. Cuanto más lejos coloque la boquilla de la superficie a limpiar, menor será la presión para llegar a la superficie.
- Cambie a la boquilla blanca de 40°. Esta boquilla produce un rociado de menor presión y mayor ancho.

Su unidad puede estar equipada con una función adicional que le permite ajustar la presión.

Para bajar la presión, gire la perilla en sentido contrario a las manecillas del reloj hasta la presión deseada.

Para devolver la presión a la configuración de fábrica, gire la perilla en el sentido de las manecillas del reloj hasta que se detenga.

NOTA: No apriete demasiado la perilla de control de presión. Si se aprieta demasiado, la perilla PODRÍA romperse y provocar una pérdida inmediata de presión y reparaciones costosas que no están cubiertas por la garantía.



SOLUCIÓN DE PROBLEMAS

PROBLEMA	CAUSA POSIBLE	SOLUCIÓN
<p>El motor no arranca.</p> <p>Consulte el Manual de propietario del motor para obtener más información sobre la solución de problemas del motor.</p>	El tanque de combustible está vacío.	Agregue combustible nuevo.
	La presión del agua en la bomba impide que el motor gire.	Apunte la pistola rociadora en una dirección segura y apriete el gatillo para liberar la presión del agua en la bomba.
	El estrangulador del motor está en la posición incorrecta.	Consulte la sección ARRANQUE DEL MOTOR de este manual para conocer la posición correcta del estrangulador.
	El cable de la bujía no está conectado a la bujía.	Conecte el cable de la bujía.
	El interruptor del motor está en la posición APAGADO.	Gire el interruptor del motor a la posición ON.
	La válvula de combustible del motor está CERRADA.	ABRA la válvula de combustible.
	El aceite del motor está bajo. Si el motor está equipado con un sensor de bajo nivel de aceite, el motor no arrancará.	Revise el nivel de aceite del motor. Llene conforme al manual del motor.
<p>La lavadora a presión genera poca o ninguna presión de agua.</p>	Hay aire atrapado en la bomba y/o las mangueras.	Consulte la sección PURGA DE LA BOMBA de este manual para eliminar el aire de la bomba y las mangueras.
	La fuente de agua es insuficiente.	Asegúrese que la fuente de agua pueda suministrar por lo menos 5 GPM a 20 PSI.
	La boquilla está obstruida.	Limpie la boquilla de acuerdo con la sección MANTENIMIENTO de este manual.
	La rejilla de entrada de agua está obstruida.	Limpie la pantalla de entrada de agua conforme a la sección MANTENIMIENTO de este manual.
	La manguera de alta presión es demasiado larga.	La manguera de alta presión debe tener menos de 100 pies de longitud.
	El estrangulador del motor está en la posición CHOKE.	Mueva el estrangulador del motor a la posición NO CHOKE .

PROBLEMA	CAUSA POSIBLE	SOLUCIÓN
No succionará detergente.	La varilla rociadora no está en baja presión.	Inserte la boquilla negra de "jabón".
	Filtro de detergente obstruido.	Limpie el filtro.
	El filtro de detergente no está sumergido en el detergente.	Asegúrese que el extremo del filtro de la manguera del sifón de detergente esté completamente sumergido en el detergente.
	El detergente es demasiado espeso.	Detergente diluido. El detergente debe tener la misma consistencia que el agua.
	La manguera de alta presión es demasiado larga.	Alargue la manguera de suministro de agua y acorte la manguera de alta presión.
	El detergente se seca dentro del inyector de detergente.	Póngase en contacto con servicio al cliente al 1-877-362-4271
Fuga de agua en la bomba.	Conexiones sueltas.	Apriete las conexiones.
	Anillo O desgastado o roto.	Verifique y reemplace.
	Empaque del pistón desgastado.	Póngase en contacto con servicio al cliente al 1-877-362-4271
	Cabezal de bomba o tubos dañados por congelamiento.	Póngase en contacto con servicio al cliente al 1-877-362-4271
La bomba o la boquilla pulsa.	Boquilla obstruida.	Limpie la boquilla de acuerdo con la sección MANTENIMIENTO de este manual.
Fuga de aceite de la bomba.	Tapón de drenaje suelto.	Apriete.
	Anillo O del tapón de drenaje desgastado.	Verifique y reemplace.
	Bomba de aceite llena en exceso.	Verifique la cantidad correcta.
	Aceite incorrecto utilizado.	Drene y llene con el tipo y la cantidad correctos de aceite.
	El tapón de ventilación está obstruido.	Limpie el tapón de ventilación; sople aire a través de la ventilación para eliminar el bloqueo. Si el problema persiste, reemplace el tapón.
	Sellos de aceite desgastados.	Póngase en contacto con servicio al cliente al 1-877-362-4271

MANTENIMIENTO

Por razones de seguridad, el fabricante recomienda que todos los servicios y reparaciones de la lavadora a presión sean realizados por un centro de servicio autorizado. Todos los reemplazos o reparaciones bajo garantía deben ser realizados por un centro de distribución o servicio autorizado. Para encontrar un centro de servicio autorizado cerca de usted, hacer un reclamo de garantía u obtener una reparación de garantía autorizada, llame al 1-877-362-4271 o envíe un correo electrónico a cservice@fna-group.com.

Es responsabilidad del propietario y/o del operador completar todo el mantenimiento programado antes de operar la lavadora a presión. Asegúrese de seguir las recomendaciones de inspección y mantenimiento que se enumeran en todos los manuales que acompañan a esta unidad.

Mantenimiento

Antes de cada uso, revise la lavadora a presión respecto a fugas, piezas sueltas o dañadas y cualquier otra condición que pueda afectar la operación correcta. Asegúrese que todas las protecciones de seguridad estén en su lugar y en buenas condiciones de operación. Revise todas las rejillas de ventilación y las ranuras de enfriamiento para asegurarse que estén limpias y sin obstrucciones. Repare o reemplace todas las partes dañadas o defectuosas inmediatamente. Por razones de seguridad, el fabricante recomienda que todos los servicios y reparaciones de la lavadora a presión sean realizados por un centro de servicio autorizado. Nunca intente reparar una manguera de alta presión.

Limpieza de lavadora a presión

Siempre limpie la lavadora a presión con el motor apagado y frío. Para limpiar la lavadora a presión, primero use un compresor de aire ajustado a no más de 25 PSI para limpiar la suciedad y los escombros de las superficies, las rejillas de ventilación y las ranuras de enfriamiento de la lavadora a presión. Después, limpie el exterior con un paño húmedo.



AVISO

LIMPIEZA

El agua puede dañar los componentes del motor de la lavadora a presión si se deja entrar a través de las ranuras de enfriamiento u otros orificios. Los daños causados por la entrada de agua no están cubiertos por la garantía. Para evitar daños por agua en el motor, no use una lavadora a presión, manguera de jardín o cualquier otra fuente de agua corriente para limpiar el motor de la lavadora a presión, y nunca sumerja el motor de la lavadora a presión en ningún líquido.



AVISO

LIMPIADORES QUIMICOS

El uso de limpiadores químicos y/o líquidos corrosivos puede dañar los sellos de la lavadora a presión y componentes internos. Daños causados por limpiadores químicos y líquidos corrosivos no están cubiertos por la garantía. Para evitar estos peligros, utilice únicamente productos de limpieza aprobados, nunca use blanqueador y siempre deje correr agua limpia a través de la lavadora a presión después de usar productos químicos de limpieza.

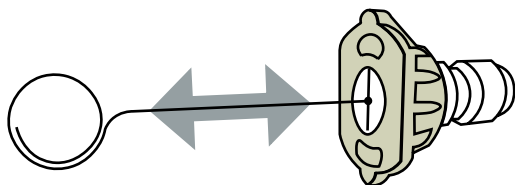
Conexiones

Las conexiones de la manguera, la pistola rociadora y la bomba deben limpiarse y lubricarse con una capa delgada de grasa de litio con regularidad para evitar daños y fugas en los anillos O.

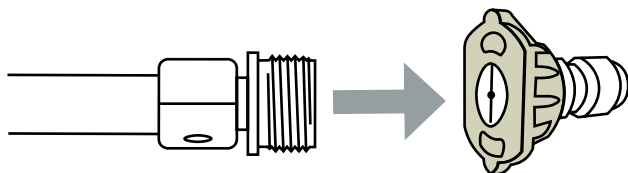
Limpieza de boquillas

Si una boquilla se obstruye, la bomba puede vibrar y los patrones de rociado pueden cambiar. Si no se limpia la boquilla, se puede desarrollar una presión excesiva que posiblemente dañe la bomba u otros accesorios. Revise las boquillas antes de usarlas y siga las instrucciones de esta sección para el procedimiento de limpieza de las boquillas adecuado.

1. Apague la lavadora a presión.
2. Cierre el suministro de agua.
3. Apunte la pistola rociadora en una dirección segura y apriete el gatillo para aliviar la presión del agua.
4. Ajuste el bloqueo del gatillo.
5. Retire la boquilla del conector rápido de la lanza.
6. Elimine cualquier obstrucción de la boquilla insertando la herramienta de limpieza de boquillas incluida.



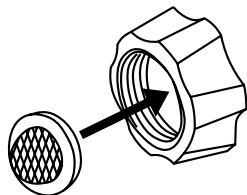
7. Enjuague cualquier residuo suelto de la boquilla dirigiendo una manguera de jardín en funcionamiento hacia la salida de la boquilla durante por lo menos 30 segundos.



Filtro de entrada de agua

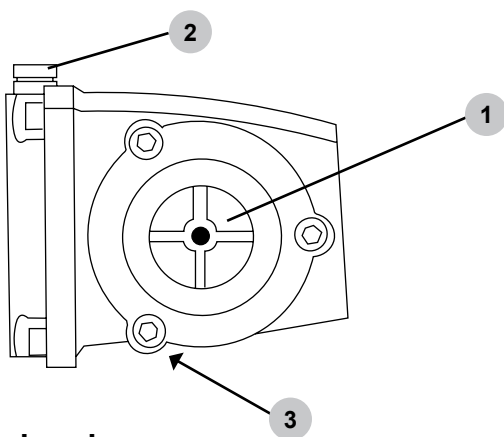
Antes de cada uso, verifique el filtro de entrada y límpielo siguiendo los pasos a continuación. Nunca opere la lavadora a presión sin el filtro de entrada correctamente instalado.

1. Retire el filtro del acoplador de la manguera de jardín.
2. Use agua de una manguera de jardín corriente para limpiar ambos lados del filtro.
3. Inserte el filtro limpio en la entrada de la bomba con el lado convexo hacia afuera.



Mantenimiento de la bomba

Nota: La bomba se llenó de aceite en la fábrica. El aceite preferido es Aceite de cárter de bomba Premium SIMPSON®. Si este aceite no está disponible, se puede usar aceite SAE 15W-40. Cambie el aceite después de las primeras 50 horas de operación y cada 100 horas a partir de entonces o cada 3 meses.



1. Mirilla de aceite
2. Tapón de llenado de aceite / tapón de ventilación
3. Tapón de drenaje de aceite (no se muestra)

Cómo cambiar el aceite de la bomba

1. Afloje el tapón de llenado / tapa de ventilación de aceite de la bomba.
2. Coloque un recipiente debajo del tapón de drenaje de aceite.
3. Retire el tapón de drenaje de aceite.
4. Después de que se haya drenado el aceite, inserte el tapón de drenaje de aceite; apriete firmemente.
5. Para bombas AAA™, rellene con aceite de cárter de bomba premium SIMPSON®. Si este aceite no está disponible, se puede usar aceite SAE 15W-40.
Para CAT Pumps®***, rellene con aceite hidráulico no detergente (ISO68).
6. Asegúrese que el nivel de aceite alcance, pero no exceda, el punto en el centro de la mirilla.
7. Inserte el tapón de llenado de aceite; apriete firmemente.

*** CAT Pumps® es una marca registrada de Diversified Dynamics Corporation.

Mantenimiento del motor

Antes de cada uso, revise el motor en busca de piezas sueltas o dañadas, signos de fugas de aceite o combustible y/o cualquier otra condición que pueda afectar la operación correcta. Mantenga siempre todas las protecciones de seguridad en su lugar y en buen estado de operación. Repare o reemplace todas las partes dañadas o defectuosas inmediatamente.

Por razones de seguridad, el fabricante recomienda que todos los servicios y reparaciones del motor (incluyendo los dispositivos y sistemas de control de emisiones) sean realizados por un centro de servicio autorizado. Todos los reemplazos o reparaciones bajo garantía deben ser realizados por un centro de distribución o servicio autorizado. Para encontrar un centro de servicio autorizado cerca de usted, obtener información sobre cómo hacer un reclamo de garantía o hacer arreglos para reparaciones de garantía autorizadas, llame al 1-877-362-4271 o envíe un correo electrónico a cservice@fna-group.com.

Para cualquier otra información sobre el mantenimiento del motor, consulte el manual del motor.

ALMACENAMIENTO Y TRANSPORTE

Almacenamiento durante dos meses o menos (o cuando se esperan temperaturas bajo cero).

1. Llene el tanque de combustible de acuerdo con la sección LISTA DE VERIFICACIÓN DE OPERACIÓN de este manual y después agregue un estabilizador de combustible conforme a las recomendaciones del fabricante. **NOTA:** El uso de un estabilizador de combustible (se vende por separado) al almacenar gasolina puede ayudar a prevenir problemas relacionados con los combustibles mezclados con alcohol en los motores de equipos eléctricos para exteriores. Siempre siga las instrucciones proporcionadas por el fabricante del estabilizador de combustible para mezclar y usar correctamente.
2. Complete los pasos de las secciones LISTA DE VERIFICACIÓN DE OPERACIÓN, CONEXIÓN DE MANGUERAS y CEBADO DE LA BOMBA de este manual.
3. Arranque el motor conforme a la sección ARRANQUE de este manual y hágalo funcionar durante diez (10) minutos para permitir que el combustible estabilizado circule por todo el sistema de combustible. Asegúrese de apretar el gatillo para que el agua fluya a través de la bomba y la pistola rociadora para evitar el sobrecalentamiento.
4. Gire el interruptor del motor a la posición OFF.
5. Cierre el suministro de agua. Retire la manguera de suministro de agua.
6. Apriete el gatillo de la pistola rociadora para aliviar la presión en la manguera y la bomba, después drene la manguera de alta presión. Desconecte la manguera de alta presión de la bomba y la pistola rociadora.
7. Deje que el motor se enfríe completamente.
8. Proteja la bomba utilizando Pump Guard SIMPSON® conforme la sección USO DE PUMP GUARD de este manual.
9. Guarde la lavadora a presión en un área limpia y seca, alejada de la luz solar directa.

Almacenamiento durante más de dos meses

1. Asegúrese que el motor esté completamente frío.
2. Retire todo el combustible del tanque de combustible, las líneas de combustible y el carburador aflojando el tornillo de drenaje en la parte inferior del carburador y drene el combustible en un recipiente apropiado.
3. Cambie el aceite del motor.
4. Retire la suciedad y los escombros del área alrededor de la bujía, luego use un enchufe de bujía o una llave para quitar la bujía.
5. Vierta .5 onzas (15 ml) de aceite nuevo en la cámara de combustión del motor, luego arranque lentamente el motor tirando del retroceso dos (2) veces para distribuir el aceite y lubricar el cilindro.
6. Instale la bujía.
7. Vacíe la manguera de alta presión.
8. Se recomienda usar SIMPSON Pump Guard o un equivalente cuando se almacena la unidad durante más de 30 días y/o cuando se esperan temperaturas bajo cero.
9. Guarde la lavadora a presión en un área limpia y seca, alejada de la luz solar directa.

Transporte



ADVERTENCIA:

TRANSPORTE

Dejar la lavadora a presión en un espacio cerrado donde la temperatura pueda aumentar en un vehículo de transporte puede hacer que el combustible se vaporice y posiblemente explote. Los incendios y explosiones pueden causar quemaduras graves y/o la muerte. Para evitar fugas o vaporización de combustible, asegure la lavadora a presión en un área bien ventilada fuera de la luz solar directa y otras fuentes de calor y no transporte la lavadora a presión en carreteras en mal estado a menos que el combustible se haya drenado previamente.

1. Gire el interruptor de control del motor a la posición APAGADO.
2. Para evitar derrames de combustible durante el transporte, mantenga la lavadora a presión en posición vertical sobre una superficie nivelada.
3. Cuando se cargue en un vehículo, asegure la lavadora a presión con correas o amarres para evitar que se vuelque y se dañe por deslizamiento.

NOTA: No opere la lavadora a presión mientras esté en el vehículo de transporte.

USO DE PUMP GUARD SIMPSON®



AVISO

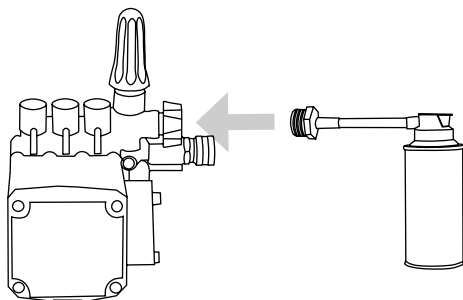
DAÑO DE LA BOMBA

Dejar agua dentro de la bomba durante un clima helado causará daños severos a la bomba. Para evitar daños costosos, siempre trate la bomba con Pump Guard SIMPSON® para eliminar el agua atrapada y llenar la bomba con una solución lubricante y anticongelante.

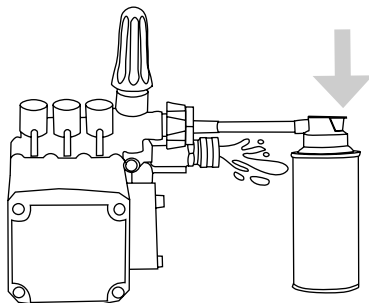
Pump Guard SIMPSON® (se compra por separado) está formulado para proteger su bomba durante el almacenamiento a largo plazo y contra daños por congelamiento. Pump Guard debe usarse durante toda la temporada para mantener los sellos flexibles y bien lubricados. Antes de almacenar la unidad para el invierno o para cuando haya posibilidad de heladas, use Pump Guard para eliminar todo rastro de agua de las cavidades internas mientras las llena con una solución anticongelante. Pump Guard es un seguro para su inversión, utilícelo.

Simplemente use Pump Guard siguiendo estos sencillos pasos:

1. Atornille el adaptador Pump Guard en la entrada de la manguera de jardín de la bomba.



2. Mantenga presionado el botón hasta que toda el agua y Pump Guard comiencen a salir del puerto de alta presión.



3. Desenrosque el Pump Guard y luego prepare la lavadora a presión para almacenarla como se describe en ALMACENAMIENTO Y TRANSPORTE.

GARANTÍA LIMITADA COMERCIAL

TÉRMINOS DE LA COBERTURA DE LA GARANTÍA:

El fabricante de este producto se compromete a reparar o reemplazar las partes designadas que resulten defectuosas dentro del período de garantía que se indica a continuación, a discreción exclusiva del fabricante. Se aplican limitaciones / extensiones y exclusiones específicas.

Esta garantía cubre defectos de material y mano de obra y no fallas de partes debido al desgaste normal, depreciación, abuso, daño accidental, negligencia, uso inadecuado, mantenimiento, calidad del agua o almacenamiento. Para realizar una reclamación de acuerdo con los términos de la garantía, todas las partes que se consideren defectuosas deben conservarse y estar disponibles para su devolución previa solicitud a un Centro de servicio de garantía designado para la inspección de la garantía. Los juicios y decisiones del fabricante con respecto a la validez de las reclamaciones de garantía son finales.

Estas garantías pasan al usuario final y no son transferibles. Como Centro de servicio de garantía capacitado y autorizado por la fábrica, la fábrica respetará los términos de todas las garantías de los componentes y cumplirá los reclamos de las disposiciones de garantía correspondientes.

Esta garantía reemplaza todas las demás garantías, expresas o implícitas, incluyendo, entre otras, las garantías de comerciabilidad o idoneidad para un propósito particular y todas las garantías tales quedan excluidas y rechazadas por el fabricante. La obligación de garantía del fabricante se limita a la reparación y reemplazo de productos defectuosos de acuerdo con lo dispuesto en este documento y el fabricante no será responsable de ninguna pérdida, daño o gasto adicional, incluyendo daños por envío, accidente, abuso, casos fortuitos, mal uso o negligencia. Tampoco lo es el daño por reparaciones utilizando partes no compradas al fabricante o las alteraciones realizadas por personal no autorizado por la fábrica. No instalar y operar el equipo de acuerdo con las pautas establecidas en el manual de instrucciones anulará la garantía.

ESTA GARANTÍA NO CUBRE:

Daños resultantes del envío (los reclamos deben presentarse con el transportista), accidente, abuso, caso fortuito, mal uso o negligencia. Esta garantía tampoco cubre daños por reparaciones o alteraciones realizadas por personal no autorizado por la fábrica o por no instalar y operar el equipo de acuerdo con las pautas establecidas en el manual de instrucciones. El fabricante no será responsable ante ninguna persona por daños consecuentes, lesiones personales o pérdidas comerciales.

RESPONSABILIDAD DEL COMPRADOR ORIGINAL (USUARIO INICIAL):

Para procesar un reclamo de garantía en su lavadora a presión SIMPSON®, informe la inquietud al 1-877-362-4271 o cservice@FNA-GROUP.COM para autorización y dirección al centro de servicio autorizado más cercano en su área. Conserve el recibo de venta original de la caja registradora como prueba de compra para el trabajo de garantía. Tenga un cuidado razonable en la operación y mantenimiento del producto como se describe en el (los) Manual(es) del Operador.

QUÉ NO CUBRE ESTA GARANTÍA:

- Daños por flete
- Daños por deterioro químico, agua salada, óxido o corrosión
- Daños causados por partes o accesorios no obtenidos de un distribuidor autorizado o no aprobados por el fabricante
- Desgaste normal de partes móviles o componentes afectados por partes móviles
- Piezas consumibles como: Filtro de combustible, filtro de aire, bujía(s), cuerda de arranque de retroceso, aceite y lubricante(s)
- Trabajo de mantenimiento periódico normal, como la limpieza del carburador y el drenaje del aceite del motor
- Daños por congelamiento

MOTOR Y SISTEMA DE CONTROL DE EMISIONES:

Cubierto por la garantía del fabricante del motor. Consulte el manual del motor para obtener más detalles.

BOMBA DE ALTA PRESIÓN (DEFECTOS DE MATERIAL Y MANO DE OBRA):

SIETE (7) años a partir de la fecha de compra.

MARCO (DEFECTOS EN MATERIALES Y MANO DE OBRA):

DIEZ (10) años a partir de la fecha de compra.

ACCESORIOS (DEFECTOS DE MATERIAL Y MANO DE OBRA):

Incluye boquillas, mangueras, pistolas rociadoras, varillas, llantas, patas

Noventa (90) días a partir de la fecha de compra.

NOTAS

ESTA PÁGINA SE DEJÓ EN BLANCO INTENCIONALMENTE



LEA ESTE MANUAL DETENIDAMENTE ANTES DE LA OPERACIÓN

El incumplimiento de las instrucciones y precauciones de seguridad de este manual puede provocar daños a la propiedad, lesiones graves y/o la muerte.

CONSERVE ESTE MANUAL PARA FUTURA REFERENCIA