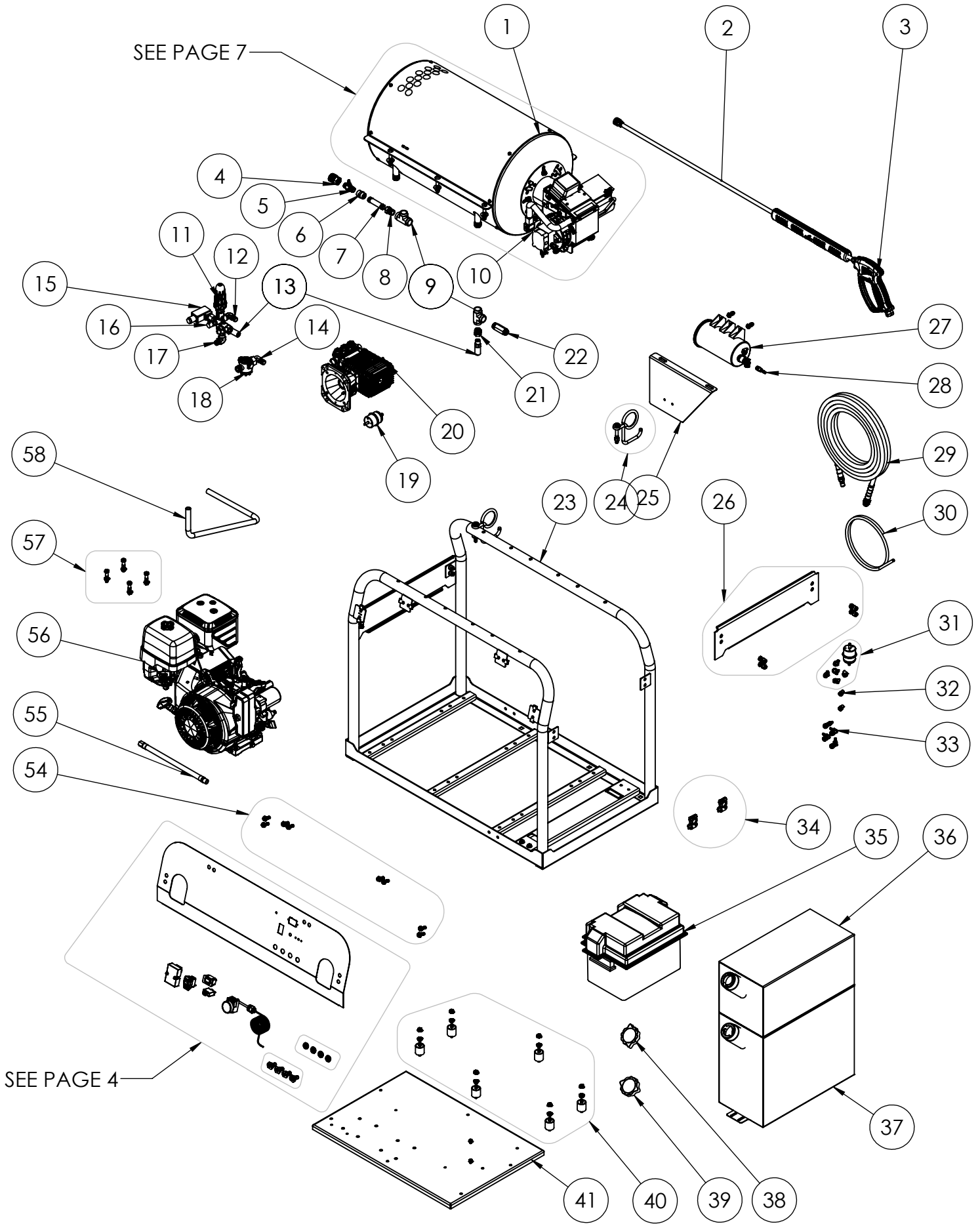
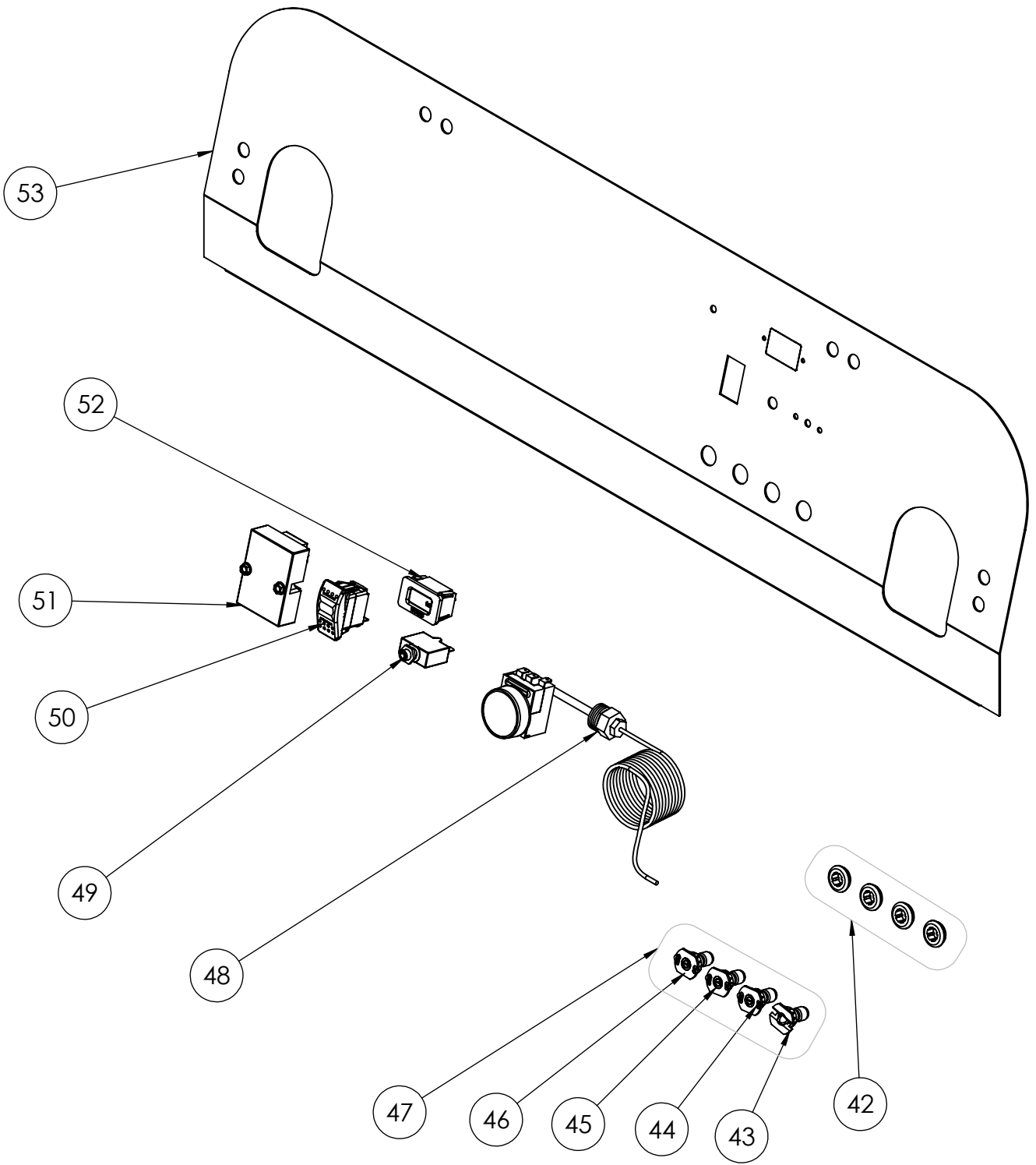


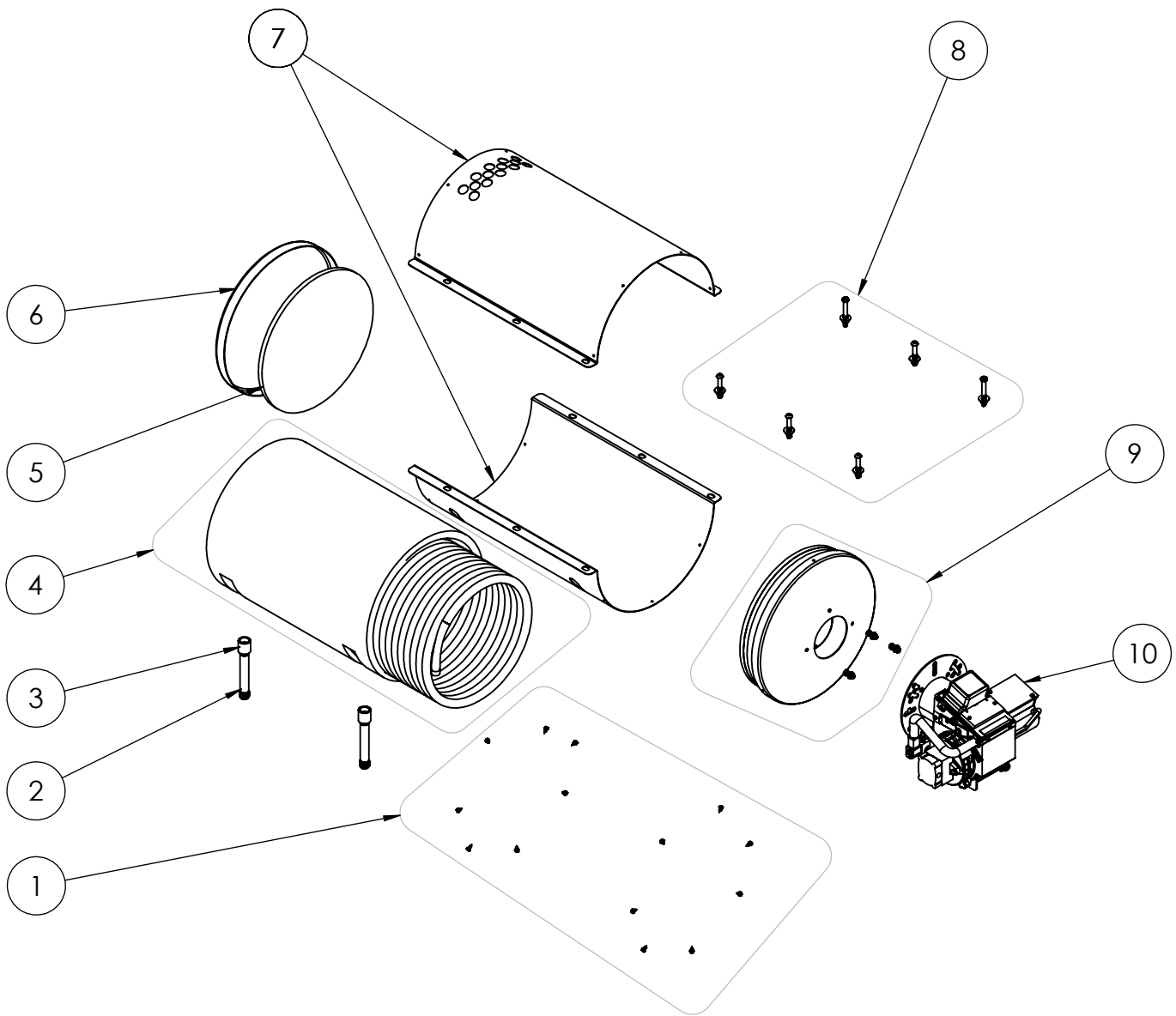
ITEM NO.	PART NUMBER	DESCRIPTION	QTY.
1	7300582BK2	TANK BANDS, 200 GALLONS, BLK	1
2	7100106	TANK BAND STRAP HARDWARE KIT	1
3	80490	HOSE REEL, SMALL MOUNTED, BLK PWDR COAT	2
4	7106554	KIT, MOTOR MOUNTING HARDWARE	1
5	7114285	FENDER WELDMENT, 1C, LH	1
6	7114079	FRAME, 1C, WELDMENT	1
7	7118261	TRAILER TONGUE HARDWARE KIT	1
8	80490	HOSE REEL, SMALL MOUNTED, BLK PWDR COAT	1
9	7114523	TONGUE ASSEMBLY	1
10	7300642	SAFETY CHAINS	2
11	7300020	TONGUE COUPLER	1
12	7300501	DOUBLE WHEEL SWIVEL JACK	1
13	7300559	LED MARKER LIGHT AMBER	2
14	7114284	FENDER WELDMENT, 1C, RH	1
15	7112335	SINGLE AXLE KIT	.
16	7300490	13" TIRE W/RIM	2
17	7300023	HUB COVER, CHROME	2
18	7300015	LED LIGHT KIT #11 W/TOW HARNESS	1
19	7118248	LICENSE PALTE BRACKET W/HARDWARE	1
20	7300066	AXLE KIT	1
21	7100421	HOSE BARB 5/8"x1/2" MPT BRASS	1
22	7300044	BUSHING, GALV, 1"x1/2"	1
23	7300041	BALL VALVE, 3 WAY, 1"	1
24	7300043	NIPPLE, CLOSE GALV 1"	1
25	7300042	BULKHEAD FITTING 1"	1
26	7105768	ELBOW, 90° 5/8" 4Bx3/8NPTM BRASS	1
27	7300581	WATER TANK, 200 GALLONS	1
28	65104	BB65104 4000@4GPM	1





ITEM NO.	PART NUMBER	DESCRIPTION	QTY.
1	7109033	BURNER	1
2	7100551	LANCE 48", 1/4 MPT X 1/4 QC COUPLER	1
3	7108134	GUN,5075PSI 12GPM 3/8 FNPT IN 1/4 FNPT	1
4	7100019	COUPLER, 3/8" QC(F) X 3/8" NPT(F)	1
5	7111619	CHEMICAL INJECTOR, FIXED, GP	1
6	7100229	COUPLING, 3/8" x 3/8" HEX	1
7	7102372	NIPPLE, 3/8" NPTM x 3" SCH. 80	1
8	7100353	REDUCER 1/2" NPTM x 3/8" NPTF	2
9	7101261	TEE, HYDRAULIC 1/2" NPTF	2
10	7101975	WAYNE BURNER, 12VDC MSR 3-3/4 230-109BDC	1
11	7110707	UNLOADER, P1, 4500 PSI	1
12	7105768	ELBOW, 5/8" HOSE BARB x 3/8" NPTM	1
13	7300376	SOLID 1/2 CRIMP FITTING	1
14	7109806	ELBOW, 90 DEG 5/8" HB X 1/2 NPT-M BRASS	1
15	7200234	SWITCH, PRESSURE, 3/8" M	1
16	7101356	THERMAL RELIEF VALVE 3/8" M-NPT	1
17	7100287	ELBOW, 3/8" NPTM x 3/8" NPTF	1
18	7102176	WATER FILTER GREEN CAP	1
19	7100337	FUEL FILTER, MODEL 160	2
20	7107997	PUMP, COMET ZWD4040G 4@4000 3400 RPM	1
21	7100354	REDUCER, 1/2 NPT-M X 3/8 NPT-F BRASS	1
22	7109540	VALVE, P-RELIEF 1/2" NPT @ 5000PSI	1
23	7108917	PAINTED FRAME, BIG BRUTE	1
24	7117997	Connector, Conduit 3/8" 2-Screw	1
25	7109539	PAINTED CARBON CANISTER BRACKET, STREAMLINER	1
26	7117941	HANDEL BAR W/HARDWARE	2
27	7113151	CANISTER, CARBON	1
28	7108642	HOSE BARB 1/4 X 1/2	1

ITEM NO.	PART NUMBER	DESCRIPTION	QTY.
29	7107495	3/8"x50"x4500PSI GRAY PU HW SWV/RIGID	1
30	7112998	HOSE, SOAP CLEAR	1
31	7109682	BURNER/DIESEL TANK/FILTER KIT	1
32	7102406	PLUG, SQUARE HEAD 1/4" NPTM	2
33	7100284	ELBOW HOSE BARB BRASS 1/4 MPT X 1/4 HB	5
34	7115828	WIRES, BATTERY ASSEMBLY 4'	1
35	7100151	BATTERY BOX W/ 42" STRAP	1
36	7108977RD1	WELDMENT, FUEL TANK, 5 GALLON, GASOLINE, RED	1
37	7108979BK1	WELDMENT, FUEL TANK, 9 GALLON, DIESEL, BLACK	1
38	7105659	Fuel Cap Nonvented	1
39	7100189	FUEL CAP CHROME VENTED	1
40	7109408	VIBRATION DAMPER HARWARE KIT	1
41	7108999BK1	PLATE, BLACK, ENGINE/PUMP, STREAMLINER	1
42	7117724	6PC NOZZLE HOLDER KIT	1
43	7113844	6 PC NOZZLE, SOAP, BRASS #40 X 65° 1/4 QC	1
44	7118121	6 PC NOZZLE, 4.0 x 40° 1/4 QC-M WHITE	1
45	7118119	6 PC NOZZLE, 4.0 x 15° 1/4 QC-M YELLOW	1
46	7118120	6 PC NOZZLE, 4.0 x 25° 1/4 QC-M GREEN	1
47	7115512	NOZZLE, SET 4PC 4.0 1/4 QC-M + SOAP	1
48	7108966	CONTROL PANEL, PAINTED - STREAMLINER	1
49	7101283	THERMOSTAT PANEL MOUNT	1
50	7108740	CIRCUIT BREAKER, 12VDC	1
51	7108736	ACTUATOR, ROCKER SWITCH, RED LENSE	1
52	7110814	12V HEATER CONTROL MODULE, ENGINE POWERED	1
53	7107456	HOUR METER, 277V AC/DC DIGITAL	1
54	7117942	STREAMLINER PANEL HARDWARE	1
55	7110042	ENGINE OIL DRAIN 12MM	1
56	N/A	ENGINE, HONDA GX200TZG	1
57	7107288	ENGINE MOUNTINGHARDWARE	1
58	7200109	HOSE 3/8x30R2 W/1/2M SWIV	1



ITEM NO.	PART NUMBER	DESCRIPTION	QTY.
1	7109685	SCREW KIT, COIL COVER HARDWARE	1
2	7100619	NIPPLE 1/2"x6" SCH 80, GALV	2
3	7100234	COUPLER 1/2"	2
4	7103397	COIL 16" PC MINI SKID	1
5	7104152	INSULATION DISK, HEAD 15-3/4x1/2 #6	1
6	7108975	BURNER HEAD PAINTED, FLAT 16 BLK	1
7	7109032	HOUR METER, 277V AC/DC DIGITAL	1
8	7118281	COIL TANK ASSY MOUNTING HARDWARE	1
9	7105360	BURNER HEAD DOMED 16"	1
10	7101975	WAYNE BURNER, 12VDC MSR 3-3/4 230-109BDC	1