



TITAN®

OPERATION MANUAL

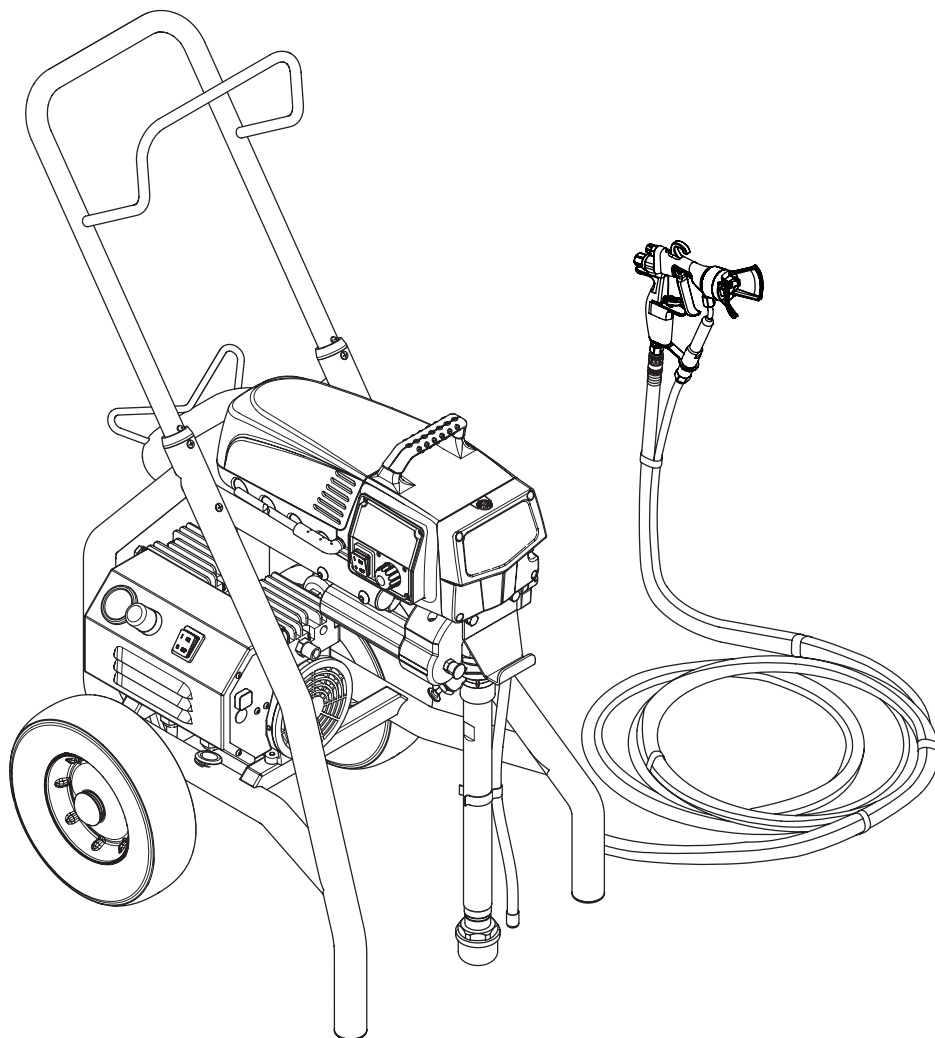
MULTIFINISH™ 440

- EN -	OPERATION MANUAL	2
- F -	MODE D'EMPLOI	14
- ES -	INSTRUCCIONES DE USO	26

SPRAY SYSTEM

SYSTÈME DE
PULVÉRISATION

SISTEMA DE
PULVERIZACIÓN



MODEL
0524029

Important Safety Information

Read all safety information before operating the equipment. Save these instructions.



Indicates a hazardous situation which, if not avoided, could result in death or serious injury. To reduce the risks of fire or explosion, electrical shock and the injury to persons, read and understand all instructions included in this manual. Be familiar with the controls and proper usage of the equipment.

Grounding Instructions

This product must be grounded. In the event of an electrical short circuit, grounding reduces the risk of electric shock by providing an escape wire for the electric current. This product is equipped with a cord having a grounding wire with an appropriate grounding plug. The plug must be plugged into an outlet that is properly installed and grounded in accordance with all local codes and ordinances.

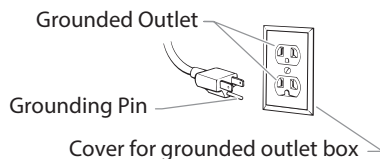


WARNING - Improper installation of the grounding plug can result in a risk of electric shock.

If repair or replacement of the cord or plug is necessary, do not connect the green grounding wire to either flat blade terminal. The wire with insulation having a green outer surface with or without yellow stripes is the grounding wire and must be connected to the grounding pin.

Check with a qualified electrician or serviceman if the grounding instructions are not completely understood, or if you are in doubt as to whether the product is properly grounded. Do not modify the plug provided. If the plug will not fit the outlet, have the proper outlet installed by a qualified electrician.

This product is for use on a nominal 120 volt circuit and has a grounding plug that looks like the plug illustrated below. Make sure that the product is connected to an outlet having the same configuration as the plug. No adapter should be used with this product.



NOTE: More than 100 feet of extension cord is not recommended. Use more paint hose, not more extension cord. Shorter extension cords will assure maximum electrical power for proper operation.



WARNING: EXPLOSION OR FIRE

Solvent and paint fumes can explode or ignite. Property damage and/or severe injury can occur.

PREVENTION:

- Do not spray flammable or combustible materials near an open flame, pilot lights or sources of ignition such as hot objects, cigarettes, motors, electrical equipment and electrical appliances. Avoid creating sparks from connecting and disconnecting power cords.
- Use extreme caution when using materials with a flashpoint below 100°F (38°C). Flashpoint is the temperature that a fluid can produce enough vapors to ignite.
- Paint or solvent flowing through the equipment is able to result in static electricity. Static electricity creates a risk of fire or explosion in the presence of paint or solvent fumes. All parts of the spray system, including the pump, hose assembly, spray gun and objects in and around the spray area shall be properly grounded to protect against static discharge and sparks. Use only conductive or grounded high-pressure airless paint sprayer hoses specified by the manufacturer.
- Verify that all containers and collection systems are grounded to prevent static discharge.
- Connect to a grounded outlet and use grounded extension cords (electric models only). Do not use a 3 to 2 adapter.
- Do not use a paint or solvent containing halogenated hydrocarbons. Such as chlorine, bleach, mildewcide, methylene chloride and trichloroethane. They are not compatible with aluminum. Contact the coating supplier about compatibility of material with aluminum.
- Keep spray area well ventilated. Keep a good supply of fresh air moving through the area to keep the air within the spray area free from accumulation of flammable vapors. Keep pump assembly in well ventilated area. Do not spray pump assembly.
- Do not smoke in the spray area.
- Do not operate light switches, engines, or similar spark producing products in the spray area.
- Keep area clean and free of paint or solvent containers, rags, and other flammable materials.
- Know the contents of the paint and solvents being sprayed. Read all Material Safety Data Sheets (SDS) and container labels provided with the paints and solvents. Follow the paint and solvent manufacturer's safety instructions.
- Place pump at least 25 feet (7.62 meters) from the spray object in a well ventilated area (add more hose if necessary). Flammable vapors are often heavier than air. Floor area must be extremely well ventilated. The pump contains arcing parts that emit sparks and can ignite vapors.
- Plastic can cause static sparks. Never hang plastic to enclose spray area. Do not use plastic drop cloths when spraying flammable material.
- Fire extinguisher equipment shall be present and working.

Important Safety Information



WARNING: INJECTION INJURY

A high pressure paint stream produced by this equipment can pierce the skin and underlying tissues, leading to serious injury and possible amputation. See a physician immediately.

PREVENTION:

- Do not aim the gun at, or spray any person or animal.
- Keep hands and other body parts away from the discharge. For example, do not try to stop leaks with any part of the body.
- NEVER put your hand in front of the gun. Gloves will not provide protection against an injection injury.
- ALWAYS keep the tip guard in place while spraying. The tip guard provides some protection but is mainly a warning device.
- Only use a nozzle tip specified by the manufacturer.
- Use caution when cleaning and changing nozzle tips. In the case where the nozzle tip clogs while spraying, ALWAYS lock gun trigger, shut pump off, and release all pressure before servicing, cleaning tip or guard, or changing tip. Pressure will not be released by turning off the motor. The PRIME/SPRAY valve or pressure bleed valve must be turned to their appropriate positions to relieve system pressure. Refer to PRESSURE RELIEF PROCEDURE described in the pump manual.
- Do not leave the unit energized or under pressure while unattended. When the unit is not in use, turn off the unit and relieve the pressure in accordance with the manufacturer's instructions.
- High-pressure spray is able to inject toxins into the body and cause serious bodily injury. In the event that injection occurs, seek medical attention immediately.
- Check hoses and parts for signs of damage, a leak can inject material into the skin. Inspect hose before each use. Replace any damaged hoses or parts. Only use TITAN original-high-pressure hoses in order to ensure functionality, safety and durability.
- This system is capable of producing 3300 PSI / 228 Bar. Only use replacement parts or accessories that are specified by the manufacturer and that are rated a minimum of 3300 PSI. This includes spray tips, nozzle guards, guns, extensions, fittings, and hose.
- Always engage the trigger lock when not spraying. Verify the trigger lock is functioning properly.
- Verify that all connections are secure before operating the unit.
- Know how to stop the unit and bleed pressure quickly. Be thoroughly familiar with the controls. Pressure will not be released by turning off the motor. The PRIME/SPRAY valve or pressure bleed valve must be turned to their appropriate positions to relieve system pressure. Refer to PRESSURE RELIEF PROCEDURE described in the pump manual.
- Always remove the spray tip before flushing or cleaning the system.

NOTE TO PHYSICIAN:

Injection into the skin is a traumatic injury which can lead to possible amputation. It is important to treat the injury as soon as possible. DO NOT delay treatment to research toxicity. Toxicity is a concern with some coatings injected directly into the blood stream. Consultation with a plastic surgeon or reconstructive hand surgeon may be advisable.



WARNING: HAZARDOUS VAPORS

Paints, solvents, insecticides, and other materials can be harmful if inhaled or come in contact with the body. Vapors can cause severe nausea, fainting, or poisoning.

PREVENTION:

- Use a respirator or mask if vapors can be inhaled. Read all instructions supplied with the mask to be sure it will provide the necessary protection.
- Wear protective eyewear.
- Wear protective clothing as required by coating manufacturer.



WARNING: GENERAL

Can cause severe injury or property damage.

PREVENTION:

- Always wear appropriate gloves, eye protection, clothing and a respirator or mask when painting.
- Do not operate or spray near children. Keep children away from equipment at all times.
- Do not overreach or stand on an unstable support. Keep effective footing and balance at all times.
- Stay alert and watch what you are doing.
- Do not operate the unit when fatigued or under the influence of drugs or alcohol.
- Do not kink or over-bend the hose. Airless hose can develop leaks from wear, kinking and abuse. A leak can inject material into the skin.
- Do not expose the hose to temperatures or pressures in excess of those specified by manufacturer.
- Do not use the hose as a strength member to pull or lift the equipment.
- Use lowest possible pressure to flush equipment.
- Follow all appropriate local, state and national codes governing ventilation, fire prevention and operation.
- The United States Government Safety Standards have been adopted under the Occupational Safety and Health Act (OSHA). These standards, particularly part 1910 of the General Standards and part 1926 of the Construction Standards should be consulted.
- Before each use, check all hoses for cuts, leaks, abrasion or bulging of cover. Check for damage or movement of couplings. Immediately replace hose if any of those conditions exist. Never repair a paint hose. Replace with a conductive high-pressure hose.
- Do not spray outdoors on windy days.
- Always unplug cord from outlet before working on equipment (electric models only).

Specifications

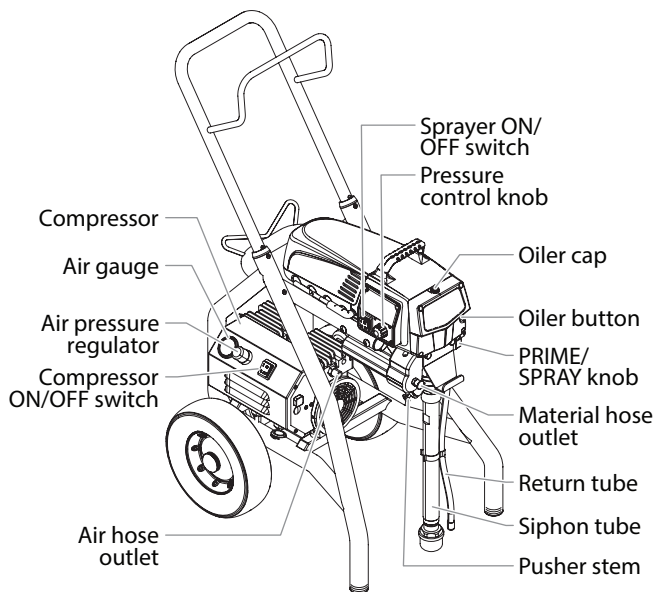
Gallons per minute (GPM)	0.58 (2.2 LPM)
Maximum tip sizes	0.023"
Maximum fluid pressure	3300 PSI (22.8 MPa)
Maximum air pressure	30 psi (0.2 MPa)
Power	120 V, 60 Hz, 12.5 A
Weight	90 lbs (40.8 kg)
Maximum hose length	300' (91.4 m)
Generator requirement	5000 Watt (disable idle-down feature)

Table of Contents

Safety Precautions	2
General Description	4
Setup	4
Operation	5
Preparing a New Sprayer	5
Preparing to Paint.....	5
Priming	5
Painting	6
Painting in MultiFinish Mode	6
Painting in Airless Mode	6
Control Panel Indicators.....	6
Pressure Relief Procedure.....	7
Spraying Technique	7
Cleanup	7
Maintenance	8
General Repair and Service Notes	8
Replacing the Motor.....	9
Replacing the Gears.....	9
Replacing the Transducer.....	10
Replacing the PRIME/SPRAY Valve.....	10
Servicing the Fluid Section.....	11
Replacing the Filters.....	12
Troubleshooting	12
Parts Listings	38
Product Registration.....	47
Warranty	48

General Description

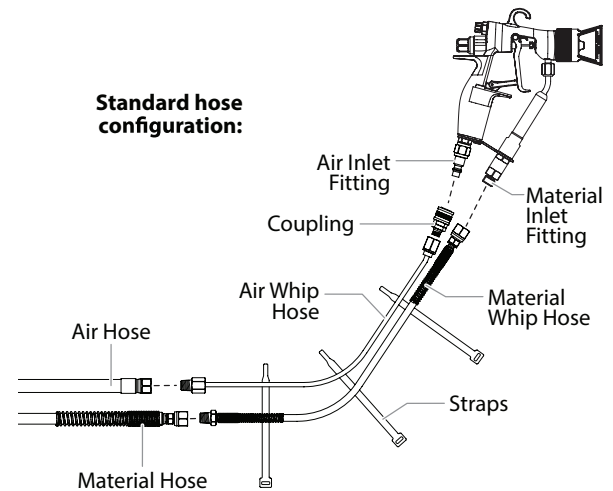
This MultiFinish spray system is versatile enough to use for low pressure fine finish work as well as high pressure airless spraying. The system includes a piston pump sprayer and an air compressor that work together to provide this versatility.



Setup

Perform the following procedure before plugging in the power cord of an electric unit.

1. Make sure the pump ON/OFF switch and the compressor ON/OFF switch are in the OFF position.
2. Make sure the pressure control knob is in its OFF position in the white zone.
3. Lock the gun by flipping the trigger lock into lock position (see spray gun manual).
4. Using a wrench, attach a minimum of 50' of 1/4" nylon airless spray hose to the material outlet fitting on the pump. Tighten securely.
5. Attach the spray hose to the material inlet fitting on the spray gun. Using two wrenches (one on the gun and one on the hose), tighten securely.



Make sure all airless hoses and spray guns are electrically grounded and rated for at least 2800 PSI (19 MPa) fluid pressure.

6. Attach the air hose to the air outlet fitting on the compressor. Tighten securely.
7. Attach the air hose coupling to the air inlet fitting on the spray gun. Attach the air hose to the coupling. Tighten securely.



Reversing the hose connections could result in serious injury. Make sure the airless spray hose is connected from the diaphragm pump to the material inlet fitting on the gun and the air hose is connected from the compressor to the air inlet fitting on the gun.

8. Ensure that the siphon tube and the return hose are attached and secure.
9. Remove the fill cap with a straight-slot screwdriver, or a coin. Fill the oil reservoir with one ounce of piston seal lubricant (P/N 313-481). Replace oiler cap.
10. Press oiler button 2-5 times to prime the oiler. Press once for every eight hours of usage to lubricate the fluid section.

IMPORTANT: Never operate unit for more than ten seconds without fluid. Operating this unit without fluid will cause unnecessary wear to the packings.

11. Fully depress the pusher stem to make sure the inlet ball is free.
12. Make sure the electrical service is 120V, 15 amp minimum.
13. Plug the power cord into a properly grounded outlet at least 25' from the spray area.

IMPORTANT: Always use a minimum 12 gauge, three-wire extension cord with a grounded plug. Never remove the third prong or use an adapter.

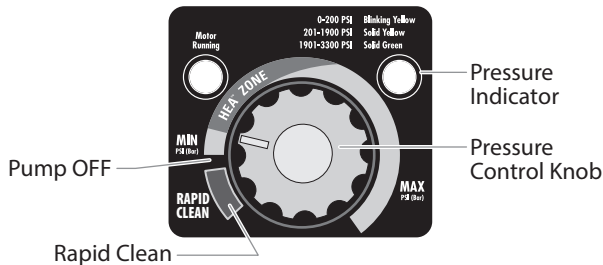
Operation

Preparing a New Sprayer

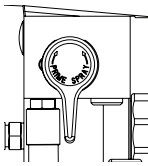
If this sprayer is new, it is shipped with test fluid in the fluid section to prevent corrosion during shipment and storage. This fluid must be thoroughly cleaned out of the system with mineral spirits before you begin spraying.

IMPORTANT: Always keep the trigger lock on the spray gun in the locked position while preparing the system.

1. Place the siphon tube into a container of mineral spirits.
2. Place the return hose into a metal waste container.
3. Set the pressure to minimum by turning the pressure control knob to the "MIN" setting.



4. Move the PRIME/SPRAY valve down to the PRIME position.
5. Turn on the sprayer by moving the ON/OFF switch to the ON position.
6. Allow the sprayer to run for 15–30 seconds to flush the test fluid out through the return hose and into the waste container.
7. Turn off the sprayer by moving the ON/OFF switch to the OFF position.



Preparing to Paint

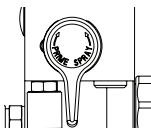
Before painting, it is important to make sure that the fluid in the system is compatible with the paint that is going to be used.

NOTE: Incompatible fluids and paint may cause the valves to become stuck closed, which would require disassembly and cleaning of the sprayer's fluid section.

IMPORTANT: Always keep the trigger lock on the spray gun in the locked position while preparing the system.

1. Place the siphon tube into a container of the appropriate solvent. Examples of the appropriate solvent are water for latex paint or mineral spirits for oil-based paints.
2. Place the return hose into a metal waste container.
3. Set the pressure to minimum by turning the pressure control knob to the "MIN" setting.
4. Move the PRIME/SPRAY valve down to the PRIME position.

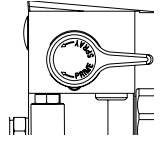
NOTE: Hold the return hose in the waste container when moving the PRIME/SPRAY valve to PRIME in case the sprayer is pressurized.



5. Turn on the sprayer by moving the ON/OFF switch to the ON position.
6. Allow the sprayer to run for 15–30 seconds to flush the old solvent out through the return hose and into the metal waste container.
7. Turn off the sprayer by moving the ON/OFF switch to the OFF position.

NOTE: Make sure that the spray gun does not have a tip or tip guard installed.

8. Move the PRIME/SPRAY valve up to the SPRAY position.
9. Turn on the sprayer.
10. Unlock the gun by pushing the gun trigger lock to the unlocked position.



Ground the gun by holding it against the edge of the metal container while flushing. Failure to do so may lead to a static electric discharge, which may cause a fire.

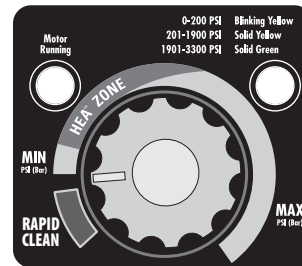
11. Trigger the gun into the metal waste container until the old solvent is gone and fresh solvent is coming out of the gun.
12. Lock the gun by flipping the trigger lock into lock position (see spray gun manual).
13. Set down the gun and increase the pressure by turning the pressure control knob slowly clockwise.
14. Check the entire system for leaks. If leaks occur, follow the "Pressure Relief Procedure" in this manual before tightening any fittings or hoses.
15. Follow the "Pressure Relief Procedure" in this manual before changing from solvent to paint.



Be sure to follow the pressure relief procedure when shutting down the sprayer for any purpose, including servicing or adjusting any part of the spray system, changing or cleaning spray tips, or preparing for cleanup.

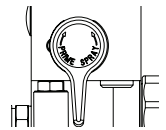
Priming

1. Place the siphon tube into a container of paint.
2. Place the return hose into a metal waste container.
3. Set the pressure to minimum by turning the pressure control knob to the "MIN" setting.



4. Move the PRIME/SPRAY valve down to the PRIME position.

NOTE: Hold the return hose in the waste container when moving the PRIME/SPRAY valve to PRIME in case the sprayer is pressurized.



5. Turn on the sprayer by moving the ON/OFF switch to the ON position.
6. Allow the sprayer to run until paint is coming through the return hose into the metal waste container.
7. Turn off the sprayer by moving the ON/OFF switch to the OFF position.
8. Remove the return hose from the waste container and place it in its operating position above the container of paint.

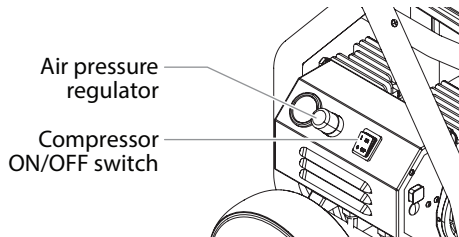
Painting

The MultiFinish spray system has two different painting modes. The MultiFinish mode is used for fine finish work with low to medium viscosity materials (oil, stains, lacquers, etc...). The airless mode is used for general painting with high viscosity materials (latex).

Painting in MultiFinish Mode

Use the MultiFinish mode for low-pressure fine finish work (recommended pump pressure up to 1000 PSI).

1. Make sure that the airless spray hose is free of kinks and clear of objects with sharp cutting edges.
2. Make sure the pressure control knob is in its OFF position in the white zone.
3. Turn the compressor air pressure regulator counterclockwise to its lowest setting.
4. Move the compressor ON/OFF switch to the ON position.



5. Move the pump ON/OFF switch to the ON position.
6. Turn the PRIME/SPRAY valve to SPRAY.
7. Turn the pressure control knob clockwise until the material pressure gauge reads 400 PSI. The paint hose should stiffen as paint begins to flow through it.
8. Turn the air pressure regulator clockwise until the air pressure gauge reads 20 PSI.
9. Unlock the spray gun trigger.
10. Trigger the spray gun to bleed air out of the material hose.
11. When material reaches the spray tip, spray a test area to check the spray pattern.
12. Adjust the spray pattern to the desired size and atomization.
 - a. Use the pressure control knob to control the flow of paint to the gun.
 - b. Use the air pressure regulator to control the amount of atomization air available to the gun.
 - c. Use the pattern adjustment knob on the gun to fine tune the spray pattern.

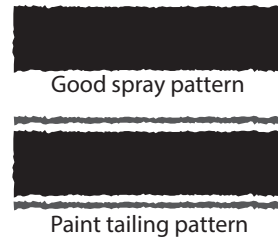
NOTE: Refer to the spray gun Owner's Manual for information on the operation of the gun.

Painting in Airless Mode

Use the airless mode for general high-pressure spraying (pump pressure from 500 to 3300 PSI).

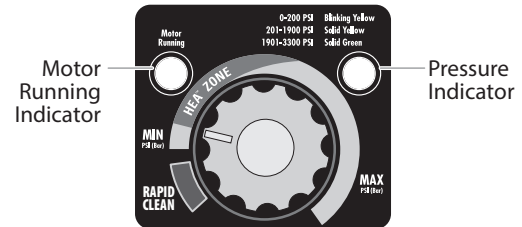
1. Make sure that the airless spray hose is free of kinks and clear of objects with sharp cutting edges.
2. Make sure the pressure control knob is in its OFF position in the white zone.
3. Turn the PRIME/SPRAY valve to SPRAY.
4. Move the pump ON/OFF switch to the ON position.
5. Turn the pressure control knob clockwise to its highest setting. The paint hose should stiffen as paint begins to flow through it.
6. Unlock the spray gun trigger.
7. Trigger the spray gun to bleed air out of the material hose.
8. When material reaches the spray tip, spray a test area to check the spray pattern.

9. Use the lowest pressure setting necessary to get a good spray pattern. If the pressure is set too high, the spray pattern will be too light. If the pressure is set too low, tailing will appear or the paint will spatter out in "gobs" rather than in a fine spray.



Control Panel Indicators

The following is a description of the control panel indicators.



Pressure Indicator

The pressure indicator shows the current operating pressure of the sprayer. It has three different indications: blinking yellow, solid yellow, and solid green.

Blinking Yellow

When the pressure indicator is blinking yellow, the sprayer is operating between 0 and 200 PSI. A blinking yellow pressure indicator means:

- The sprayer is plugged in and turned "ON"
- The sprayer is at priming pressure (little or no pressure)
- It is safe to move the PRIME/SPRAY valve between positions
- It is safe to change or replace the spray tip

NOTE: If the pressure indicator begins blinking yellow when the pressure control knob is set at a higher pressure and the PRIME/SPRAY valve is in the SPRAY position, either the spray tip is worn or the sprayer is in need of service/repair.

Solid Yellow

When the pressure indicator is solid yellow, the sprayer is operating between 201 and 1900 PSI. A solid yellow pressure indicator means:

- The sprayer is at the proper pressure setting for spraying stain, lacquer, varnish, and multi-colors
- If the pressure indicator goes to solid yellow when the pressure is set so that it starts at solid green, it indicates one of the following:
 - a. **Tip Wear Indicator** — when spraying with latex or at high pressure the solid yellow appears. This means the tip is worn and needs to be replaced.
 - b. **Tip Too Large** — when a tip that is too large for the sprayer is put in the gun, the pressure indicator will turn from solid green to solid yellow.
 - c. **Fluid Section Wear** — if a solid yellow pressure indicator appears when using a new tip and the pressure is set at maximum, service may be required (worn packings, worn piston, stuck valve, etc...).

Solid Green

When the pressure indicator is solid green, the sprayer is operating between 1901 and 3300 PSI. A solid green pressure indicator means:

- The sprayer is at the proper pressure setting for spraying oil-based and latex house paints
- The sprayer is operating at peak performance at a high pressure setting

Motor Running Indicator

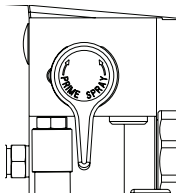
The Motor Running indicator is on when the motor is commanded to run. This indicator is used by service centers to troubleshoot motor problems.

Pressure Relief Procedure



Be sure to follow the Pressure Relief Procedure when shutting down the sprayer for any purpose, including servicing or adjusting any part of the spray system, changing or cleaning spray tips, or preparing for cleanup.

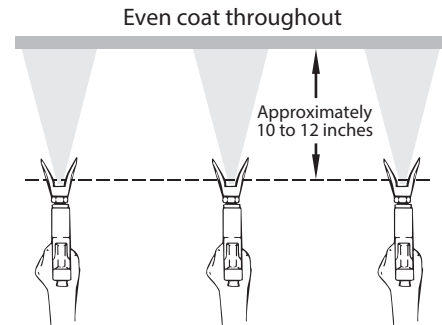
1. Make sure the pressure control knob is in its OFF position in the white zone.
2. Turn the PRIME/SPRAY valve to the PRIME position.
3. Trigger the gun to remove any pressure that still may be in the hose.
4. Lock the gun by flipping the trigger lock into lock position (see spray gun manual).



INJECTION HAZARD. Do not spray without the tip guard in place. Never trigger the gun unless the tip is in either the spray or the unclog position. Always engage the gun trigger lock before removing, replacing, or cleaning tip.

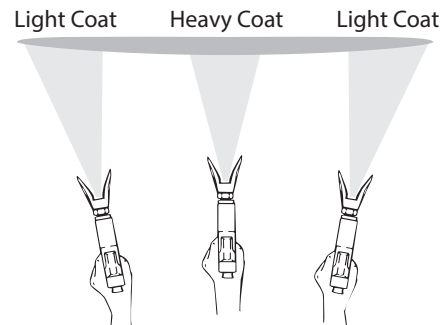
Spraying Technique

The key to a good paint job is an even coating over the entire surface. This is done by using even strokes. Keep your arm moving at a constant speed and keep the spray gun at a constant distance from the surface. The best spraying distance is 10 to 12 inches between the spray tip and the surface.



Keep stroke smooth and at an even speed.

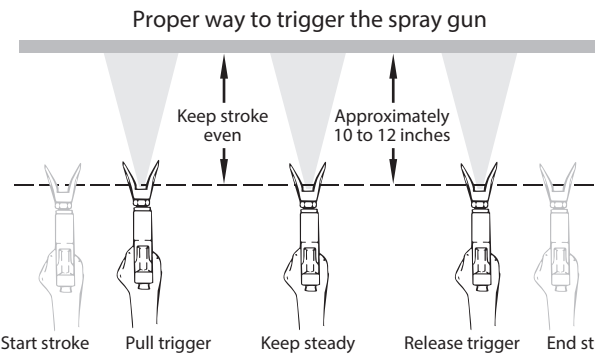
Keep the spray gun at right angles to the surface. This means moving your entire arm back and forth rather than just flexing your wrist.



Do not flex wrist while spraying.

Keep the spray gun perpendicular to the surface, otherwise one end of the pattern will be thicker than the other.

The spray gun should be triggered by turning it on and off with each stroke. This will save paint and avoid paint buildup at the end of the stroke. Do not trigger the gun during the middle of a stroke. This will result in an uneven spray and splotchy coverage.



Overlap each stroke by about 30%. This will ensure an even coating. When you stop painting, lock the gun trigger lock, turn the pressure control knob counterclockwise to its lowest setting and set the priming knob to PRIME. Turn the motor switch to OFF and unplug the sprayer.

Cleanup



Do not use gasoline to clean the sprayer.
Special cleanup instructions for use with flammable solvents:

- Always flush spray gun preferably outside and at least one hose length from spray pump.
- If collecting flushed solvents in a one gallon metal container, place it into an empty five gallon container, then flush solvents.
- Area must be free of flammable vapors.
- Follow all cleanup instructions.

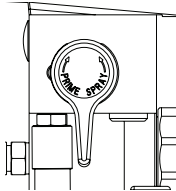
IMPORTANT: The sprayer, hose, and gun should be cleaned thoroughly after daily use. Failure to do so permits material to build up, seriously affecting the performance of the unit.



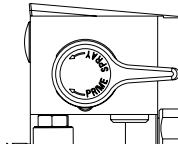
Always spray at minimum pressure with the gun nozzle tip removed when using mineral spirits or any other solvent to clean the sprayer, hose, or gun. Static electricity buildup may result in a fire or explosion in the presence of flammable vapors.

1. Follow the "Pressure Relief Procedure" found in the Operation section of this manual.
2. Remove the gun tip and tip guard and clean with a brush using the appropriate solvent.
3. Place the siphon tube into a container of the appropriate solvent. Examples of the appropriate solvent are water for latex paint or mineral spirits for oil-based paints.
4. Place the return hose into a metal waste container.
5. Move the PRIME/SPRAY valve down to its PRIME position.

NOTE: Hold the return hose in the waste container when moving the PRIME/SPRAY valve to PRIME in case the sprayer is pressurized.



6. Set the pressure to RAPID CLEAN by turning the pressure control knob to its RAPID CLEAN position.
7. Turn on the sprayer by moving the ON/OFF switch to the ON position.
8. Allow the solvent to circulate through the unit and flush the paint out of the return hose into the metal waste container.
9. Turn off the sprayer by moving the ON/OFF switch to the OFF position.
10. Move the PRIME/SPRAY valve up to its SPRAY position.
11. Turn on the sprayer.



Ground the gun by holding it against the edge of the metal container while flushing. Failure to do so may lead to a static electric discharge, which may cause a fire.

12. Trigger the gun into the metal waste container until the paint is flushed out of the hose and solvent is coming out of the gun.
13. Continue to trigger the spray gun into the waste container until the solvent coming out of the gun is clean.

NOTE: For long-term or cold weather storage, pump mineral sprits through the entire system.

14. Follow the "Pressure Relief Procedure" found in the Painting section of this manual.
15. Unplug the unit and store in a clean, dry area.

IMPORTANT: Do not store the unit under pressure.

Maintenance



Before proceeding, follow the "Pressure Relief Procedure" outlined previously in this manual. Additionally, follow all other warnings to reduce the risk of an injection injury, injury from moving parts or electric shock. Always unplug the sprayer before servicing!

General Repair and Service Notes

The following tools are needed when repairing this sprayer:

Phillips Screwdriver	3/8" Hex Wrench
Needle Nose Pliers	5/16" Hex Wrench
Adjustable Wrench	1/4" Hex Wrench
Rubber Mallet	3/16" Hex Wrench
Flat-blade Screwdriver	5/32" Hex Wrench
5/64" Hex Wrench	

1. Before repairing any part of the sprayer, read the instructions carefully, including all warnings.

IMPORTANT: Never pull on a wire to disconnect it. Pulling on a wire could loosen the connector from the wire.

2. Test your repair before regular operation of the sprayer to be sure that the problem is corrected. If the sprayer does not operate properly, review the repair procedure to determine if everything was done correctly. Refer to the Troubleshooting Charts to help identify other possible problems.
3. Make certain that the service area is well ventilated in case solvents are used during cleaning. Always wear protective eyewear while servicing. Additional protective equipment may be required depending on the type of cleaning solvent. Always contact the supplier of solvents for recommendations.
4. If you have any further questions concerning your Titan Airless Sprayer, call Titan:
 Customer Service (U.S.) **1-800-526-5362**

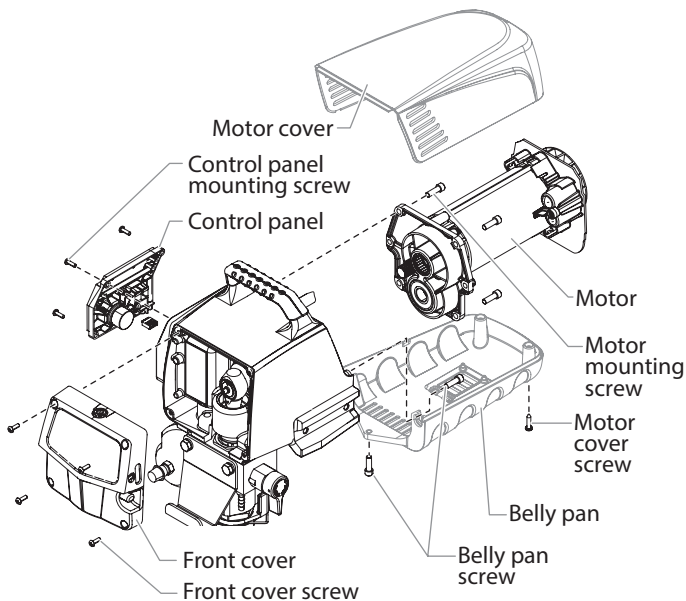
Replacing the Motor

1. Perform the Pressure Relief Procedure and unplug the sprayer.
2. Loosen and remove the two motor cover screws. Remove the motor cover.
3. Loosen and remove the three belly pan screws. Remove the belly pan.
4. On the back of the motor, disconnect the wire coming from the potentiometer and the wire coming from the transducer. Also, disconnect the two wires coming from the control panel board (refer to the electrical schematic in the Parts List section of this manual).
5. Remove the four control panel mounting screws. Pull back the control panel for access to the control panel board.
6. At the the control panel board, disconnect the two wires coming from the motor (refer to the electrical schematic in the Parts List section of this manual).
7. Loosen and remove the four motor mounting screws.
8. Pull the motor out of the pump housing.

NOTE: If the motor will not dislodge from the pump housing:

- Remove the front cover plate.
- Using a rubber mallet, carefully tap on the front of the motor crankshaft that extends through the slider assembly.

9. With the motor removed, inspect the gears in the pump housing for damage or excessive wear. Replace the gears, if necessary.
10. Install the new motor into the pump housing.
11. Secure the motor with the four motor mounting screws.
12. Reconnect the wires (refer to the electrical schematic in the Parts List section of this manual).
13. Position the control panel on the pump housing and secure in position using the four control panel mounting screws.
14. Replace the belly pan. Secure with the three belly pan screws.
15. Slide the motor cover over the motor. Secure the motor cover with the two motor cover screws.



Replacing the Gears

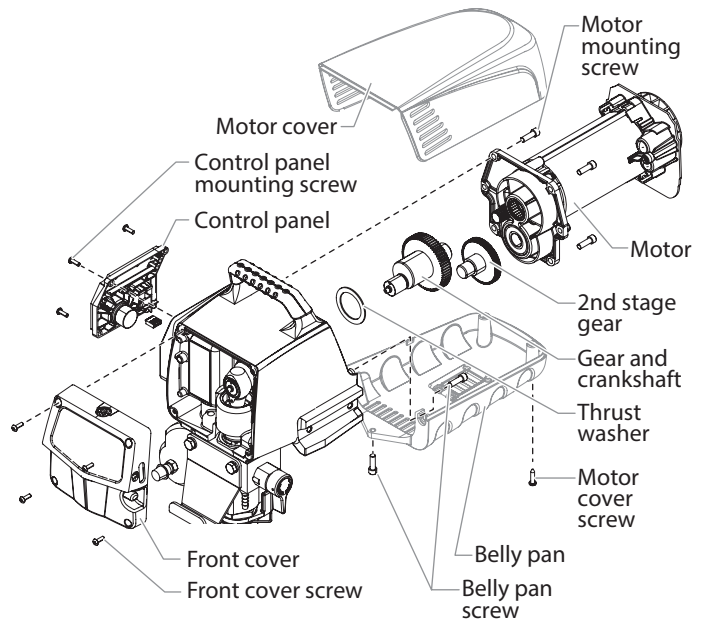
1. Perform the Pressure Relief Procedure and unplug the sprayer.
2. Loosen and remove the two motor cover screws. Remove the motor cover.
3. Loosen and remove the three belly pan screws. Remove the belly pan.
4. On the back of the motor, disconnect the wire coming from the potentiometer and the wire coming from the transducer. Also, disconnect the two wires coming from the control panel board (refer to the electrical schematic in the Parts List section of this manual).
5. Remove the four control panel mounting screws. Pull back the control panel for access to the control panel board.
6. At the the control panel board, disconnect the two wires coming from the motor (refer to the electrical schematic in the Parts List section of this manual).
7. Loosen and remove the four motor mounting screws.
8. Pull the motor out of the pump housing.

NOTE: If the motor will not dislodge from the pump housing:

- Remove the front cover plate.
- Using a rubber mallet, carefully tap on the front of the motor crankshaft that extends through the slider assembly.

9. Inspect the armature gear on the end of the motor for damage or excessive wear. If this gear is completely worn out, replace the entire motor.
10. Remove and inspect the 2nd stage gear for damage or excessive wear. Replace if necessary.
11. Remove and inspect the gear and crank assembly for damage or excessive wear. Replace if necessary.
12. Reassemble the pump by reversing the above steps. During reassembly, make sure the thrust washer is in place.

NOTE: Refill the gear box in the pump housing with five ounces of Lubriplate (P/N 314-171).



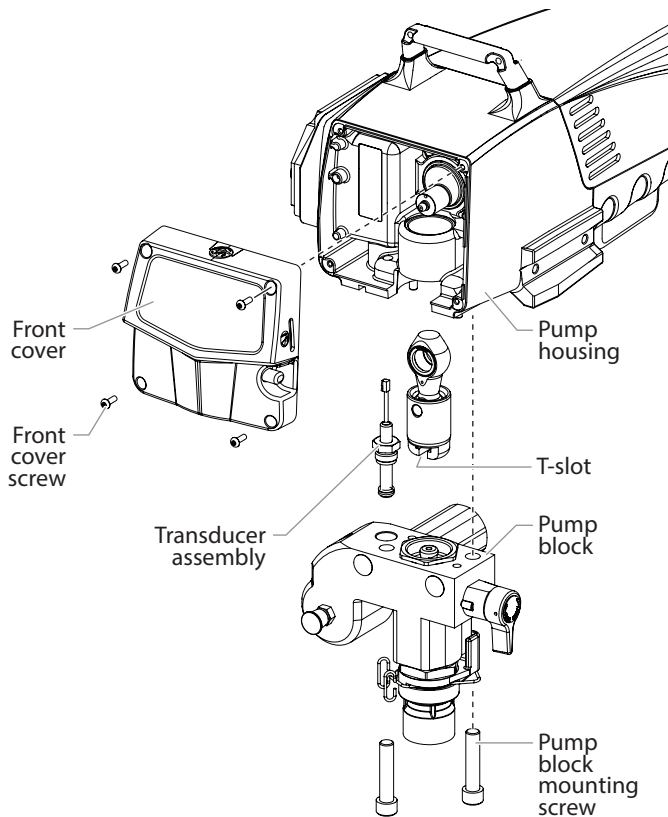
Replacing the Transducer

1. Loosen and remove the four front cover screws. Remove the front cover.
2. Stop the sprayer at the bottom of its stroke so that the piston is in its lowest position.
3. Perform the Pressure Relief Procedure and unplug the sprayer.



Before proceeding, follow the Pressure Relief Procedure outlined previously in this manual. Additionally, follow all other warnings to reduce the risk of an injection injury, injury from moving parts or electric shock. Always unplug the sprayer before servicing!

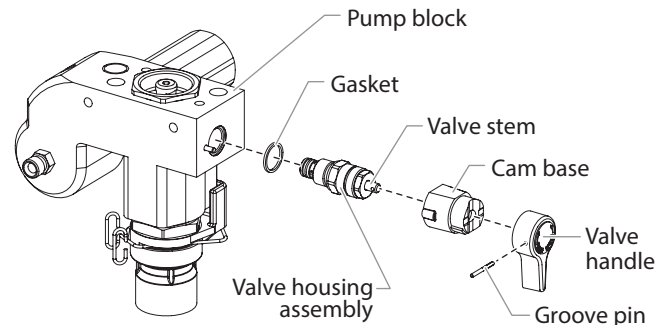
4. Tilt the pump back for easy access to the fluid section.
5. Using a 3/8" hex wrench, loosen and remove the two pump block mounting screws.
6. Pull the pump block down approximately 1/2" from the pump housing to clear the transducer.
7. Slide the pump block and piston rod forward until the piston rod is out of the T-slot on the slider assembly.
8. Carefully pull the transducer wire out of the pump housing until the connection to the transducer jumper is exposed. Unplug the wire from the transducer jumper (refer to the electrical schematic in the Parts List section of this manual).
9. Using a wrench, remove the transducer assembly from the pump block.
10. Thread the new transducer assembly into the pump block. Tighten securely with a wrench.
11. Plug the new transducer wire into the transducer jumper (refer to the electrical schematic in the Parts List section of this manual).
12. Reassemble the pump by reversing steps 1–7.



Replacing the PRIME/SPRAY Valve

Perform the following procedure using PRIME/SPRAY valve replacement kit P/N 700-258

1. Push the groove pin out of the valve handle.
2. Remove the valve handle and the cam base.
3. Using a wrench, loosen and remove the valve housing assembly.
4. Make sure the gasket is in place and thread the new valve housing assembly into the pump block. Tighten securely with wrench.
5. Place the cam base over the valve housing assembly. Lubricate the cam base with grease and line up the cam with the pump block.
6. Line up the hole on the valve stem with the hole in the valve handle.
7. Insert the groove pin into the valve handle and through the valve stem to secure the valve handle in position.



Servicing the Fluid Section

Use the following procedures to service the valves and repack the fluid section. Perform the following steps before performing any maintenance on the fluid section.

1. Loosen and remove the four front cover screws. Remove the front cover.
2. Stop the sprayer at the bottom of its stroke so that the piston is in its lowest position.
3. Perform the Pressure Relief Procedure and unplug the sprayer.



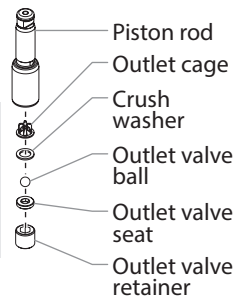
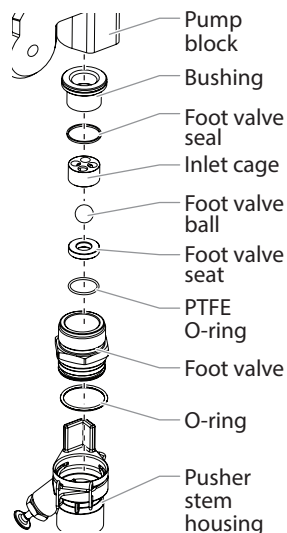
Before proceeding, follow the Pressure Relief Procedure outlined previously in this manual. Additionally, follow all other warnings to reduce the risk of an injection injury, injury from moving parts or electric shock. Always unplug the sprayer before servicing!

4. Unscrew the return hose assembly from the pump block. Remove the retaining clip from the bottom of the foot valve housing. Remove the siphon assembly.
5. Tilt the sprayer back for easy access to the fluid section.

Servicing the Valves

The design of the fluid section allows access to the foot valve and seat as well as the outlet valve and seat without completely disassembling the fluid section. It is possible that the valves may not seat properly because of debris stuck in the foot valve seat or outlet valve seat. Use the following instructions to clean the valves and reverse or replace the seats.

1. Remove the pusher stem clip and slide the pusher stem housing from the foot valve housing.
2. Using a wrench, loosen and remove the foot valve housing from the pump block.
3. Clean out any debris in the foot valve housing and examine the valve housing and seat. If the seat is damaged, reverse or replace the seat.
4. Using a 5/16" hex wrench, loosen and remove the outlet valve retainer from the piston rod.



NOTE: Always service the outlet valve with the piston rod attached to the pump. This will prevent the piston rod from rotating during disassembly of the outlet valve.

5. Clean out any debris and examine the outlet valve housing and seat. If the seat is damaged, reverse or replace the seat.
6. Remove, clean, and inspect the outlet cage, crush washer, and outlet valve ball. Replace if they are worn or damaged.

NOTE: The outlet cage always must be used with the crush washer. They are included together in the repacking kit as assembly P/N 704-642.

7. Reassemble the valves by reversing the steps above.

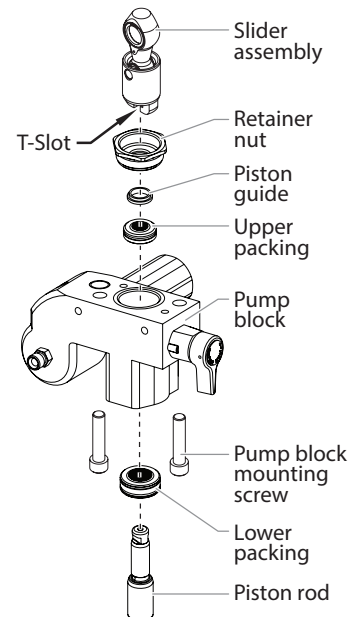
NOTE: During reassembly of the outlet valve, apply one drop of Loctite (included in the repacking kit) to the threads of the outlet valve retainer before threading it into the piston rod. Then, torque the retainer to 144 in./lbs. (12 ft./lbs.).

Repacking the Fluid Section

1. Remove the foot valve assembly using the steps in the "Servicing the Valves" procedure above.

NOTE: The outlet valve does not need to be disassembled from the piston rod for this procedure.

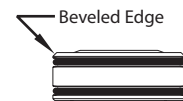
2. Using 3/8" a hex wrench, loosen and remove the two pump block mounting screws.
3. Pull the pump block down approximately 1/2" from the pump housing.
4. Slide the pump block and piston rod forward until the piston rod is out of the T-slot on the slider assembly.
5. Slide the piston rod out through the bottom of the pump block.
6. Loosen and remove the retainer nut and piston guide from the pump block.
7. Remove the upper and lower packings from the pump block.
8. Clean the pump block and install the new upper and lower packings. Refer to the illustration below for proper packing orientation.



Install upper packing with raised lip and O-ring facing down.



Install lower packing with the beveled edge facing up.



9. Inspect the piston rod for wear and replace if necessary.
10. Reassemble the outlet valve assembly into the piston rod. Tighten the outlet valve retainer with a wrench until secure.

NOTE: Use the T-slot on the slider assembly to hold the piston rod in position while securing the outlet valve retainer.

IMPORTANT: Never use a wrench on the piston itself. This could cause damage to the piston and cause leakage.

11. Insert the piston guide into the retainer nut. Thread the retainer nut into the pump block until it is hand tight.
12. Slide the piston guide tool (included in the repacking kit) over the top of the piston rod and insert the piston rod through the bottom of the pump block. Using a rubber mallet, tap the bottom of the piston rod lightly until the piston rod is in position in the pump block.

NOTE: Coat the piston guide tool and the piston rod with grease before inserting them into the pump block.

13. Using a wrench, tighten the retainer nut securely.
14. Slide the top of the piston rod into the T-slot on the slider assembly.
15. Position the pump block underneath the pump housing and push up until it rests against the pump housing.
16. Thread the pump block mounting screws through the pump block and into the pump housing. Tighten securely.
17. Reassemble the foot valve assembly into the pump block.

18. Thread the siphon tube into the foot valve and tighten securely. Make sure to wrap the threads on the siphon tube with PTFE tape before assembly. Replace the return hose into the hose clip on the siphon tube.
19. Place the front cover on the pump housing and secure in position using the four front cover screws.
20. Turn on the sprayer by following the procedure in the "Operation" section of this manual and check for leaks.

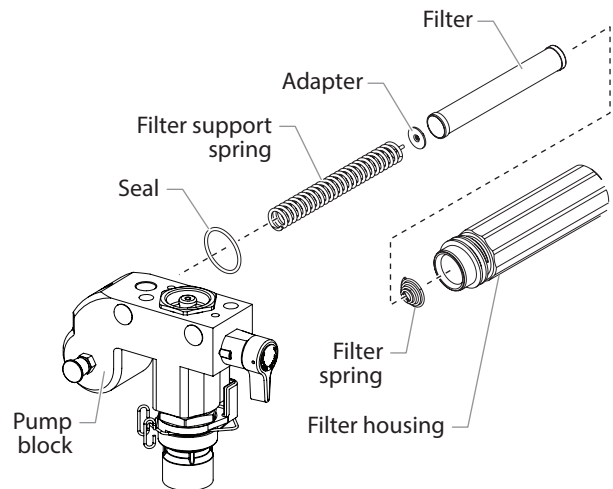
NOTE: Repacking kit P/N 704-586 is available. For best results use all parts supplied in this kit.

Replacing the Filters

Pump Filter

1. Loosen and remove the filter housing by hand.
2. Slip the filter off of the filter support spring.
3. Inspect the filter. Based on inspection, clean or replace the filter.
4. Inspect the seal. Based on inspection, clean or replace the seal.
5. Slide the new or cleaned filter over the filter support spring with the adapter in place over the pin on the spring. Push the filter into the center of the pump block.
6. Slide the filter housing over the filter and thread it into the pump block until secure.

NOTE: The filter housing should be hand-tightened, but make sure the filter housing is seated fully into the pump block.



Troubleshooting

Problem

A. The unit will not run.

Cause

1. The unit is not plugged in.
2. Tripped breaker.
3. The pressure is set too low (pressure control knob set at minimum setting does not supply power to unit).
4. Faulty or loose wiring.
5. Excessive motor temperature.
6. ON/OFF switch is defective.

Solution

1. Plug the unit in.
2. Reset the breaker.
3. Turn the pressure control knob clockwise to supply power to the unit and increase the pressure setting.
4. Inspect or take to a Titan authorized service center.
5. Allow motor to cool.
6. Replace the ON/OFF switch.

B. The unit will not prime.

1. The PRIME/SPRAY valve is in the SPRAY position.
2. Air leak in the siphon tube/suction set.
3. The pump filter and/or inlet screen is clogged.
4. The siphon tube/suction set is clogged.

1. Rotate the PRIME/SPRAY valve clockwise to the PRIME position.
2. Check the siphon tube/suction set connection and tighten or re-tape the connection with PTFE tape.
3. Remove the pump filter element and clean. Remove the inlet screen and clean.
4. Remove the siphon tube/suction set and clean.

Troubleshooting

Problem	Cause	Solution
C. The unit will not build or maintain pressure.	<ol style="list-style-type: none"> The spray tip is worn. The spray tip is too large. The pressure control knob is not set properly. The pump filter, gun filter, or inlet screen is clogged. Material flows from the return hose when the PRIME/SPRAY valve is in the SPRAY position. Air leak in the siphon tube/suction set. There is external fluid leak. There is an internal fluid section leak (packings are worn and/or dirty, valve balls are worn). Worn valve seats 	<ol style="list-style-type: none"> Replace the spray tip following the instructions that came with the spray gun. Replace the spray tip with a tip that has a smaller orifice following the instructions that came with the spray gun. Turn the pressure control knob clockwise to increase the pressure setting. Remove the pump filter element and clean. Remove the gun filter and clean. Remove the inlet screen and clean. Clean or replace the PRIME/SPRAY valve. Check the siphon tube/suction set connection and tighten or re-tape the connection with PTFE tape. Check for external leaks at all connections. Tighten connections, if necessary. Clean the valves and service the fluid section following the "Servicing the Fluid Section" procedure in the Maintenance section of this manual. Reverse or replace the valve seats following the "Servicing the Fluid Section" procedure in the Maintenance section of this manual. Take unit to a Titan authorized service center.
D. Fluid leakage at the upper end of the fluid section.	<ol style="list-style-type: none"> The upper packing is worn. The piston rod is worn. 	<ol style="list-style-type: none"> Repack the pump following the "Servicing the Fluid Section" procedure in the Maintenance section of this manual. Replace the piston rod following the "Servicing the Fluid Section" procedure in the Maintenance section of this manual.
E. Excessive surge at the spray gun.	<ol style="list-style-type: none"> Wrong type of airless spray hose. The spray tip worn or too large. Excessive pressure. 	<ol style="list-style-type: none"> Replace hose with a minimum of 50' of 1/4" grounded textile braid airless paint spray hose. Replace the spray tip following the instructions that came with the spray gun. Rotate the pressure control knob counterclockwise to decrease spray pressure.
F. Poor spray pattern.	<ol style="list-style-type: none"> The spray tip is too large for the material being used. Incorrect pressure setting. Insufficient fluid delivery. The material being sprayed is too viscous. 	<ol style="list-style-type: none"> Replace the spray tip with a new or smaller spray tip following the instructions that came with the spray gun. Rotate the pressure control knob to adjust the pressure for a proper spray pattern. Clean all screens and filters. Add solvent to the material according to the manufacturer's recommendations.
G. The unit lacks power.	<ol style="list-style-type: none"> The pressure adjustment is too low. Improper voltage supply. 	<ol style="list-style-type: none"> Rotate the pressure control knob clockwise to increase the pressure setting. Reconnect the input voltage for 120V AC.
H. Compressor does not start.	<ol style="list-style-type: none"> The compressor ON/OFF switch is in the OFF position. Compressor ON/OFF switch is faulty. Compressor is faulty. Tripped breaker. Blocked or faulty pressure relief solenoid valve fails to relieve pressure in OFF position. 	<ol style="list-style-type: none"> Move the compressor ON/OFF switch to the ON position. Take the unit to a Titan Authorized Service Center. Take the unit to a Titan Authorized Service Center. Reset the breaker. Clean out the relief hole.
I. Compressor starts but not enough air.	<ol style="list-style-type: none"> Air regulator setting is too low. Paint is too thick. Closed air valve on gun. Faulty pressure relief valve. 	<ol style="list-style-type: none"> Increase the air regulator setting. Thin the paint. Open the gun air valve. Refer to gun Owner's Manual. Install a new pressure relief valve.

Consignes de sécurité important

**Lire toutes ces consignes avant d'utiliser l'appareil.
Garder ces consignes.**



Indique une situation à risque, laquelle, si elle n'est pas évitée, peut entraîner des blessures graves, voire la mort.

Pour réduire les risques d'incendie ou d'explosion, de choc électrique et de blessure, vous devez lire et comprendre les directives figurant dans ce manuel. Familiarisez-vous avec les commandes et l'utilisation adéquate de l'équipement.

Directives de mise à la terre

Cet appareil doit être mis à la terre. En cas de court-circuit, cette précaution réduit les risques de choc en procurant un parcours au courant électrique. Le cordon de l'appareil est doté d'un fil de terre relié à la troisième broche de sa fiche. Cette dernière doit être branchée dans une prise correctement câblée et mise à la terre conformément aux codes et règlements locaux.

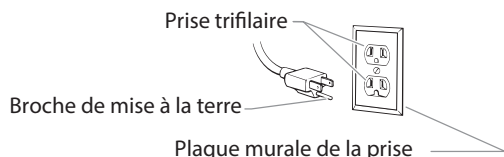


MISE EN GARDE - Le fait de ne pas brancher correctement la fiche trifilaire de l'appareil peut entraîner des risques de choc électrique.

Si on doit réparer ou remplacer le cordon ou la fiche, ne pas raccorder le fil de terre à la borne des broches plates (lames) de cette dernière. Ce fil, normalement vert (avec ou sans rayures jaunes), doit être relié à la broche de terre.

Consulter un technicien ou un électricien qualifié à défaut de comprendre l'ensemble des présentes directives ou en cas d'incertitude quant à la mise à terre de l'appareil. Ne pas modifier la fiche de l'appareil; si elle ne s'adapte pas dans la prise voulue, la faire remplacer par un électricien qualifié.

Conçu pour les circuits de 120 V, cet appareil est doté d'une fiche ressemblant à celle illustrée ci-dessous. S'assurer que le produit est connecté à une prise électrique ayant la même configuration que la fiche mâle. Ne pas utiliser d'adaptateur avec ce produit.



NOTA : On ne recommande pas l'utilisation de rallonges de plus de 31 m (100 pi); il est préférable de rallonger le tuyau à peinture que le cordon d'alimentation. Les rallonges plus courtes assureront la puissance électrique requise pour un fonctionnement adéquat.



MISE EN GARDE : EXPLOSION OU INCENDIE

Les émanations de certains produits peuvent exploser ou s'enflammer, et risquent d'entraîner des dommages matériels ou de graves blessures.

MESURES PRÉVENTIVES :

- Ne pulvérisez pas de matières inflammables ou combustibles près d'une flamme nue, de voyants lumineux ou de sources d'ignition telles que des objets chauds, cigarettes, moteurs, matériel et appareils électriques. Évitez de produire des étincelles en connectant et en déconnectant les cordons électriques.
- S'entourer de toutes les précautions possibles lorsqu'on utilise des produits ayant un point d'éclair inférieur à 38°C (100°F). Le point d'éclair est la température à laquelle le liquide peut créer suffisamment de vapeurs et s'enflammer.

- L'écoulement de peinture ou de solvant dans l'équipement peut produire de l'électricité statique. L'électricité statique crée un risque d'incendie ou d'explosion en présence de fumées de peinture ou de solvant. Toutes les pièces du système du pulvérisateur, y compris la pompe, l'ensemble du tuyau, le pistolet de pulvérisation et les objets dans et autour de la zone de pulvérisation doivent être correctement reliés à la terre pour protéger contre les décharges d'électricité statique et les étincelles. N'utilisez que des tuyaux conducteurs ou reliés à la terre pour pulvérisateurs de peinture sous vide à haute pression, spécifiés par le fabricant.
- Vérifiez que tous les conteneurs ou systèmes de stockage sont reliés à la terre pour éviter les décharges d'électricité statique.
- Connectez à une prise électrique avec prise de terre et utilisez des rallonges électriques reliées à la terre. N'utilisez pas d'adaptateur 3 à 2.
- N'utilisez pas de peinture ou de solvant contenant du halon, par exemple, le chlore, les agents antimoississure à l'eau de Javel, le chlorure de méthylène et le trichloroéthane. Ils ne sont pas compatibles avec l'aluminium. Contactez le fournisseur de revêtements pour connaître la compatibilité du matériau avec l'aluminium.
- La zone de pulvérisation doit toujours être bien aérée. Une bonne quantité d'air frais doit constamment traverser la zone de pulvérisation pour éviter les accumulations de vapeurs inflammables. Le système de pompage doit être placé dans une zone bien aérée. Ne pulvérisez pas le système de pompage.
- Ne fumez pas dans la zone de pulvérisation.
- N'actionnez pas d'interrupteurs électriques, de moteurs ou autres dispositifs produisant des étincelles dans la zone de pulvérisation.
- Maintenez la propreté de la zone et veillez à ce qu'elle ne contienne pas de conteneurs de peinture ou de solvant, de chiffons et autres matières inflammables.
- Sachez ce que contiennent la peinture et les solvants pulvérisés. Lisez les fiches de sécurité du matériel (MSDS) et les étiquettes apposées sur les conteneurs de peintures et de solvants. Respectez les consignes de sécurité du fabricant de peinture et de solvant.
- Placez la pompe à une distance minimum de 7,62 mètres (25 pieds) de l'objet à pulvériser, dans une zone bien aérée (ajoutez de la longueur de tuyau si besoin est). Les vapeurs inflammables sont souvent plus lourdes que l'air. La zone près du sol doit être très bien aérée. La pompe contient des pièces qui produisent des arcs et émettent des étincelles pouvant enflammer les vapeurs.
- Le plastique peut causer des étincelles d'électricité statique. N'accrochez aucun plastique dans une zone de pulvérisation fermée. N'utilisez pas de toiles de protection en plastique quand vous pulvérisez une matière inflammable.
- Ayez un extincteur en bon état de fonctionnement à portée de main.



MISE EN GARDE : INJECTION CUTANÉE

Le jet de haute pression produit par cet appareil peut transpercer la peau et les tissus sous-jacents, causant des blessures graves pouvant entraîner l'amputation.

MESURES PRÉVENTIVES :

- Ne dirigez pas le pistolet sur et ne pulvérisez pas les personnes ou les animaux.
- N'approchez pas les mains ni d'autres parties du corps de la sortie du produit. Par exemple, ne tentez pas d'arrêter une fuite avec une partie du corps.
- NE JAMAIS mettre la main, même gantée, devant le pistolet (les gants n'offrent aucune protection contre les blessures par injection).
- TOUJOURS s'assurer que le protège-embout est en place avant de pulvériser. Il est cependant à noter que, s'il assure une certaine protection, ce dispositif joue surtout un rôle préventif.

Consignes de sécurité important

- Utilisez exclusivement un embout de buse spécifié par le fabricant.
- Prenez garde quand vous nettoyez ou que vous changez les embouts de buse. Si l'embout se bouche pendant que vous pulvérisez, verrouillez TOUJOURS la détente du pistolet, arrêtez la pompe et libérez toute la pression avant de réparer ou de nettoyer l'embout ou le protecteur ou avant de changer d'embout. La pression n'est pas libérée par l'arrêt du moteur. La poignée du robinet-valve PRIME/SPRAY doit être placée sur PRIME pour libérer la pression. Consultez la PROCÉDURE DE DÉCOMPRESSION décrite dans le manuel de la pompe.
- Ne laissez pas l'appareil sous tension ou sous pression quand vous vous en éloignez. Quand vous n'utilisez pas l'appareil, éteignez-le et libérez la pression conformément aux instructions du fabricant.
- La pulvérisation à haute pression peut injecter des toxines dans le corps et causer de graves blessures corporelles. Si une telle injection se produisait, consultez immédiatement un médecin.
- Vérifiez les tuyaux et les pièces pour détecter des signes d'endommagement : une fuite peut injecter le produit dans la peau. Inspectez le tuyau avant chaque emploi. Changez tous les tuyaux ou pièces endommagés. Pour des raisons de fonctionnement, de sécurité et de durée de vie, utiliser exclusivement des tuyaux flexibles à haute pression d'origine de TITAN.
- Ce système peut produire une pression de 3 300 PSI / 228 Bar. N'utilisez que les pièces de rechange ou les accessoires spécifiés par le fabricant et ayant une pression nominale minimum de 3 300 PSI. Ceci est valable pour les embouts de pulvérisation, les protecteurs de buse, les pistolets, les rallonges, les raccords et le tuyau.
- Verrouillez toujours la détente quand vous ne pulvérisez pas. Vérifiez que le verrou de la détente fonctionne correctement.
- Vérifiez que toutes les connexions sont bien serrées avant d'utiliser l'appareil.
- Sachez comment arrêter l'appareil et le dépressuriser rapidement. Soyez bien familiarisé avec les commandes. La pression n'est pas libérée lorsque le moteur est arrêté. La poignée du robinet-valve PRIME/SPRAY doit être placée sur PRIME pour libérer la pression. Consultez la PROCÉDURE DE DÉCOMPRESSION décrite dans le manuel de la pompe.
- Retirez toujours l'embout de pulvérisation avant de rincer ou de nettoyer le système.

REMARQUE À L'INTENTION DES MÉDECINS : Les injections cutanées sont des lésions traumatiques; il importe donc de les traiter sans délai. On NE DOIT PAS retarder ce traitement sous prétexte de vérifier la toxicité du produit en cause, celle-ci n'étant conséquente que dans le cas d'injection directe de certains produits dans le système sanguin. Il pourrait s'avérer nécessaire de consulter un plasticien ou un spécialiste en chirurgie reconstructive de la main.



MISE EN GARDE : ÉMANATIONS DANGEREUSES

Certains produits (peintures, solvants, insecticides ou autres) peuvent être nocifs s'ils sont inhalés ou entrent en contact avec l'organisme. Les émanations de ces produits peuvent provoquer de graves nausées, évanouissements ou empoisonnements.

MESURES PRÉVENTIVES :

- Se servir d'un masque ou d'un respirateur s'il y a risque d'inhalation (lire toutes les directives concernant ces dispositifs afin de s'assurer qu'ils offrent la protection requise).
- Porter des lunettes de protection.
- Porter les vêtements de protection prescrits par le fabricant du produit utilisé.



MISE EN GARDE : GÉNÉRALITÉS

D'autres dangers peuvent entraîner des dommages matériels ou des blessures graves.

MESURES PRÉVENTIVES :

- Portez toujours les gants, la protection oculaire, les vêtements et un respirateur ou masque appropriés quand vous peignez.
- Ne travaillez pas et ne pulvérisez pas près d'enfants. Éloignez toujours les enfants de l'équipement.
- Ne travaillez pas avec les bras au-dessus de la tête ni sur un support instable. Appuyez-vous bien sur les deux pieds pour toujours conserver l'équilibre.
- Soyez attentif et regardez ce que vous faites.
- N'utilisez pas l'appareil quand vous êtes fatigué ou sous l'influence de drogues ou d'alcool.
- Ne faites pas de nœuds avec le tuyau et ne le tordez pas trop. Le tuyau à vide peut présenter des fuites suite à l'usure, les nœuds ou les mauvais traitements. Une fuite risque d'injecter du produit dans la peau.
- N'exposez pas le tuyau à des températures ou des pressions supérieures à celles spécifiées par le fabricant.
- N'utilisez pas le tuyau pour tirer ou soulever l'équipement.
- Utilisez la plus basse pression possible pour rincer l'équipement.
- Respectez tous les codes locaux, étatiques et nationaux qui régulent la ventilation, la prévention d'incendies et le fonctionnement.
- Les normes de sécurité du gouvernement des États-Unis ont été adoptées dans la loi Occupational safety and Health Act (OSHA). Ces normes, en particulier la partie 1910 des Normes générales et la partie 1926 des Normes de construction, doivent être consultées.
- Avant chaque emploi, vérifiez tous les tuyaux pour détecter d'éventuelles coupures, fuites, abrasion ou couvercle bombé. Vérifiez l'état ou le mouvement des accouplements. Changez immédiatement le tuyau si l'une de ces conditions est vérifiée. Ne réparez jamais un tuyau de peinture. Remplacez-le par un tuyau conducteur à haute pression.
- Ne pulvérisez pas à l'extérieur par temps venteux.
- Débranchez toujours le cordon électrique de la prise avant de travailler sur l'équipement.

Spécifications

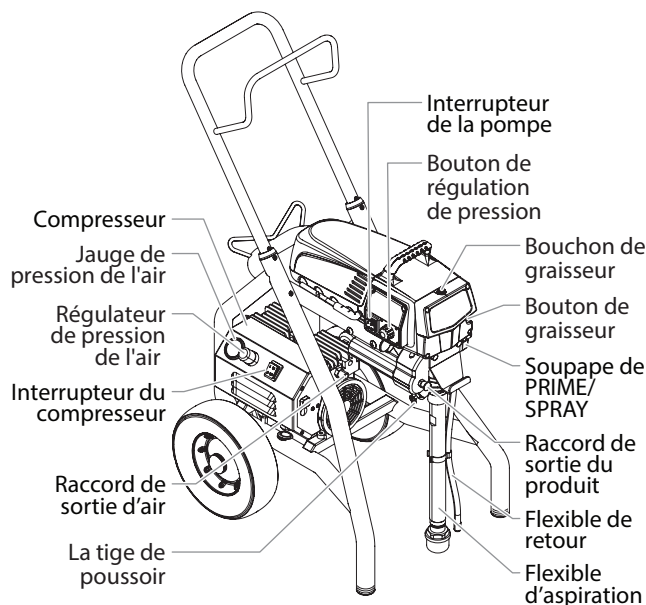
Débit (GPM)	0,58 (2,2 LPM)
Embout, dimension maximale	0.023"
Pression maximale de fluide	3 300 PSI (22,8 MPa)
Pression maximale d'air	30 PSI (0,2 MPa)
Source de puissance	120 V, 60 Hz, 12,5 A
Poids	90 lbs. (40,8 kg)
Cordon d'alimentation dimension maximale	300' (91,4 m)
Génératrice	5000 W (désactiver la mort en fonction)

Table des matières

Consignes de sécurité	14
Description générale.....	16
Installation.....	16
Fonctionnement	16
Préparation d'un nouveau vaporisateur	17
Préparation avant de peindre	17
Amorçage	17
Peinture	18
Peinture en mode MultiFinish.....	18
Peinture en mode sans air.....	8
Panneau de contrôle indicateurs.....	18
Procédure de décompression.....	18
Technique de pulvérisation	19
Nettoyage	19
Maintenance	20
Généralités concernant la maintenance	20
Remplacement du moteur	20
Remplacement des engrenages	21
Remplacement du transducteur	21
Remplacement de la soupape PRIME/SPRAY	22
Maintenance de la section des liquides	22
Remplacement de filtre.....	23
Dépannage.....	24
Listes de pièces	38
Enregistrement du produit	47
Garantie.....	48

Description générale

Ce système de pulvérisation à haute précision est un outil polyvalent pouvant être utilisé tant pour des travaux de finition à basse pression que pour la pulvérisation haute pression sans air comprimé. Le système comprend une pompe à peinture à piston et un compresseur à air qui fonctionnent ensemble et lui donne ce caractère polyvalent.

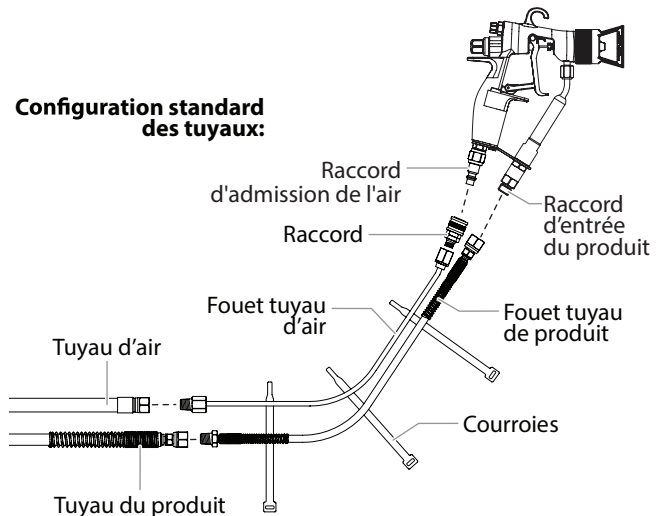


Installation

Procédez comme suit pour mettre le système de pulvérisation en marche.

1. Assurez-vous que l'interrupteur MARCHÉ/ARRÊT de la pompe et que l'interrupteur MARCHÉ/ARRÊT du compresseur se trouvent sur la position ARRÊT (OFF).
2. S'assurer que le bouton de régulation de pression soit à la position OFF (zone blanc).
3. Verrouillez le pistolet en enclenchant le cran de sûreté (voir le Guide d'utilisation du pistolet).

4. À l'aide d'une clé, fixez un tuyau de pulvérisation sans air en nylon d'un diamètre de 6,4 mm (1/4 po) et d'une longueur minimale de 15 m (50 pi) sur le raccord de sortie du produit de la pompe. Serrez fermement.
5. Fixez le tuyau de pulvérisation sur le raccord d'entrée du produit. À l'aide de deux clés (une sur le pistolet et l'autre sur le tuyau), serrez fermement.



S'assurer que tous les flexibles et pistolets à dépression soit mis à la terre et conçus pour accepter des pressions de liquide d'au moins 2 800 PSI (19 MPa).

6. Montez le tuyau d'air sur le raccord de sortie d'air du compresseur. Serrez fermement.
7. Montez le raccord du tuyau d'air sur le raccord d'entrée d'air du pistolet. Montez le tuyau d'air sur le raccord. Serrez fermement.



L'inversion des raccords de tuyaux peut occasionner des lésions corporelles graves. Assurez-vous que le tuyau de pulvérisation sans air comprimé est bien branché à la pompe à diaphragme sur le raccord d'entrée du produit du pistolet et que le tuyau à air est bien branché entre le compresseur et le raccord d'entrée d'air du pistolet.

8. S'assurer que le commutateur soit à la position OFF.
9. Enlevez le bouchon de graisseur à l'aide d'un tournevis à tête plate. Remplir le réservoir avec une once de piston sceau lubrifiant (P/N 313-481). Remplacer le bouchon de graisseur.
10. Pousser 2-5 fois sur le bouton pour préparer la graisseur. Pousser une fois pour toutes les huit heures d'utilisation pour lubrifier la section de liquides.

IMPORTANT : Ne jamais faire fonctionner l'appareil sans liquide pendant plus de 10 secondes, ce qui pourrait user inutilement les tampons graisseurs.

11. Pousser complètement le tige de poussoir.
12. S'assurer que l'alimentation électrique soit d'au moins 15 A à 120 V.
13. Brancher le cordon d'alimentation dans une prise adéquatement mise à la terre située à une distance d'au moins 7,5 m (25 pi) de la surface à vaporiser.

IMPORTANT : Les rallonges utilisées doivent être trifilaires, de calibre 12 et dotées d'une fiche à broche de MALT; on ne doit jamais retirer cette troisième broche ou utiliser un adaptateur.

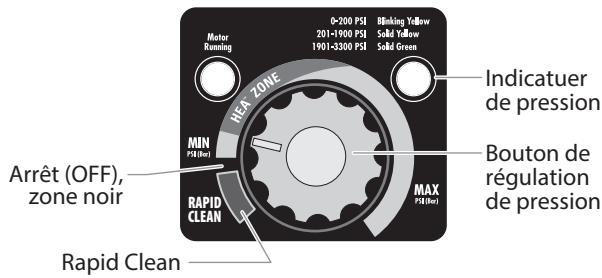
Fonctionnement

Préparation d'un nouveau vaporisateur

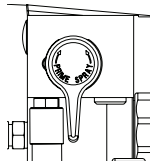
Si cet appareil est neuf, il contient encore un liquide d'essai mis en usine pour le protéger de la corrosion en cours d'expédition ou d'entreposage. Ce liquide doit être complètement éliminé au moyen d'essence minérale avant que l'appareil puisse être utilisé.

IMPORTANT : La détente du pistolet doit toujours être verrouillée lorsqu'on procède à ces vérifications préliminaires.

1. Mettre le flexible d'aspiration dans un contenant d'essence minérale.
2. Mettre le flexible de retour dans un contenant de purge métallique.
3. Régler la pression au minimum en mettant le bouton de régulation à la position "MIN".



4. Abaisser la soupape PRIME/SPRAY à la position PRIME.
5. Mettre l'appareil en marche en mettant le commutateur à la position ON.
6. Laisser le vaporisateur fonctionner pendant 15 à 30 secondes pour évacuer le liquide d'essai par le flexible de retour, jusqu'au contenant de purge.
7. Arrêter l'appareil en mettant le commutateur à la position OFF.



Préparation avant de peindre

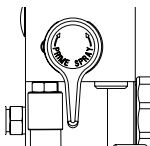
Avant de peindre, il est important de s'assurer que le liquide dans l'appareil est compatible avec le produit à utiliser.

NOTA : L'incompatibilité liquide/produit peut provoquer le blocage des soupapes, ce qui entraînerait le besoin de démonter et de nettoyer la section des liquides du vaporisateur.

IMPORTANT : La détente du pistolet doit toujours être verrouillée lorsqu'on procède à ces vérifications préliminaires.

1. Mettre le flexible d'aspiration dans un contenant de solvant approprié (de l'eau dans le cas de peintures au latex, de l'essence minérale dans le cas de peintures à l'huile, etc.).
2. Mettre le flexible de retour dans un contenant de purge métallique.
3. Régler la pression au minimum en mettant le bouton de régulation à la position "MIN".
4. Abaisser la soupape prime/spray à la position PRIME.

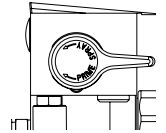
NOTA : Tenez le tube de retour dans le conteneur de déchets en faisant passer le PRIME / SPRAY soupape de PRIME dans le cas où le pulvérisateur est sous pression.



5. Mettre l'appareil en marche en mettant le commutateur à la position ON.
6. Laisser le vaporisateur fonctionner pendant 15 à 30 secondes pour évacuer le solvant usé par le flexible de retour, jusqu'au contenant de purge.
7. Arrêter l'appareil en mettant le commutateur à la position OFF.

NOTA : S'assurer que l'embout ou le protège-embout ne soient pas installés.

8. Soulever la soupape PRIME/SPRAY à la position SPRAY.
9. Mettre l'appareil en marche.
10. Déverrouiller le pistolet en mettant le verrou de détente à la position appropriée.



On doit mettre le pistolet à la terre en le tenant contre le bord du contenant de purge métallique pendant qu'il se vide afin d'éviter les risques de décharges électrostatiques, lesquelles peuvent provoquer un incendie.

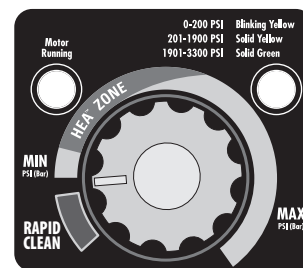
11. Appuyer sur la détente en visant le contenant métallique pour purger le solvant usé du pistolet, jusqu'à ce que du solvant frais en ressorte.
12. Verrouillez le pistolet en enclenchant le cran de sûreté (voir le Guide d'utilisation du pistolet)..
13. Déposer le pistolet et augmenter la pression en tournant lentement le bouton de régulation vers la droite.
14. Inspecter tous les composants afin d'y détecter des fuites potentielles. Le cas échéant, suivre les directives de la section Procédure de décompression du présent manuel avant de fixer les flexibles et de serrer les raccords.
15. Procéder aux étapes de la section Procédure de décompression du présent manuel avant de passer du solvant au produit de peinture.



On doit effectuer la procédure de décompression chaque fois qu'on arrête l'appareil pour en faire la maintenance, en changer les réglages de vaporisation, en remplacer/nettoyer les embouts ou en effectuer la préparation en vue d'un nettoyage.

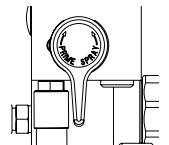
Amorçage

1. Mettre le flexible d'aspiration dans un contenant de produit de peinture.
2. Mettre le flexible de retour dans un contenant de purge métallique.
3. Régler la pression au minimum en mettant le bouton de régulation à la position "MIN".



4. Abaisser la soupape PRIME/SPRAY à la position PRIME.

NOTA : Tenez le tube de retour dans le conteneur de déchets en faisant passer le PRIME / SPRAY soupape de PRIME dans le cas où le pulvérisateur est sous pression.



5. Mettre l'appareil en marche en mettant le commutateur à la position ON.
6. Laisser le vaporisateur fonctionner jusqu'à ce que le produit commence à s'écouler par le flexible de retour dans le contenant de purge.
7. Arrêter l'appareil en mettant le commutateur à la position OFF.
8. Retirer le flexible de retour du contenant de purge et le mettre à sa position normale, au-dessus du contenant de produit de peinture.

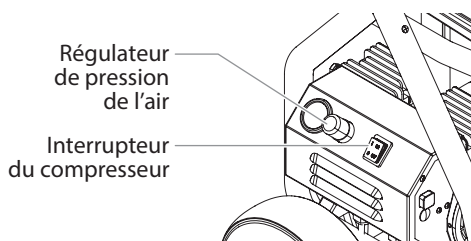
Peinture

Le système de pulvérisation MultiFinish dispose de deux modes de peinture différents : le mode MultiFinish, utilisé pour les travaux de finition précis exécutés avec des produits peu ou moyennement visqueux (huile, vernis, laques, etc.) Le mode sans air, utilisé pour la peinture général avec des matériaux très visqueux (latex).

Peinture en mode MultiFinish

Utilisez le mode MultiFinish pour les travaux de finition à basse pression (pression de la pompe recommandée de 1 000 PSI maximum).

1. Assurez-vous que le tuyau de pulvérisation sans air n'est pas plié et qu'il ne touche pas des objets aux bords coupants.
2. S'assurer que le bouton de régulation de pression soit à la position OFF (zone blanc).
3. Tournez le régulateur de pression de l'air du compresseur dans le sens inverse des aiguilles d'une montre jusqu'au réglage minimum.
4. Placez l'interrupteur MARCHÉ/ARRÊT (ON/OFF) du compresseur en position MARCHÉ (ON).



5. Placez l'interrupteur MARCHÉ/ARRÊT (ON/OFF) en position MARCHÉ (ON).
6. Placez la soupape de PRIME/SPRAY en position SPRAY.
7. Tournez le bouton de réglage de la pression dans le sens des aiguilles d'une montre jusqu'à ce que la jauge de pression du produit atteigne 400 PSI. Le tuyau à peinture doit gonfler lorsque la peinture commence à s'y écouler.
8. Tournez le bouton de réglage de la pression dans le sens des aiguilles d'une montre jusqu'à ce que la jauge de pression de l'air atteigne 20 PSI.
9. Débloquez le détente de pistolet.
10. Enclenchez le pistolet de pulvérisation pour purger l'air du tuyau réservé au produit.
11. Lorsque le produit atteint la tête de pulvérisation, il faut peindre une zone d'essai pour vérifier la forme du jet de pulvérisation.
12. Réglez la forme de pulvérisation selon la taille et l'atomisation souhaitées.
 - a. Utilisez le bouton de réglage de la pression pour contrôler le jet de peinture vers le pistolet.
 - b. Utilisez le bouton de réglage de la pression de l'air pour contrôler la quantité d'air de pulvérisation disponible vers le pistolet.
 - c. Utilisez le bouton de réglage de forme du pistolet pour affiner la forme de pulvérisation.

NOTA : Consultez le manuel de l'utilisateur du pistolet de pulvérisation pour plus de détails concernant le fonctionnement du pistolet.

Peinture en mode sans air

Utilisez le mode sans air pour les travaux de pulvérisation généraux à haute pression (pression de la pompe variant entre 500 à 3 300 PSI).

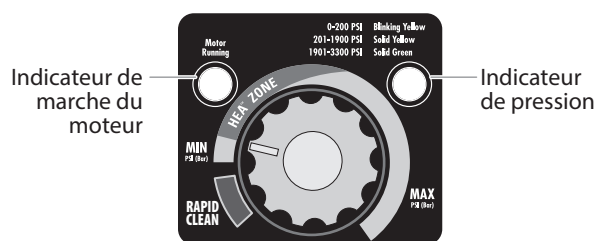
1. Assurez-vous que le tuyau de pulvérisation n'est pas plié et qu'il ne touche pas des objets aux bords coupants.
2. S'assurer que le bouton de régulation de pression soit à la position OFF (zone blanc).
3. Placez la soupape de PRIME/SPRAY en position SPRAY.
4. Placez l'interrupteur MARCHÉ/ARRÊT (ON/OFF) en position MARCHÉ (ON).

5. Tournez le bouton de réglage de la pression dans le sens des aiguilles d'une montre au maximum. Le tuyau à peinture doit gonfler lorsque la peinture commence à s'y écouler.
6. Débloquez le détente de pistolet.
7. Enclenchez le pistolet de pulvérisation pour purger l'air du tuyau réservé au produit.
8. Lorsque le produit atteint la tête de pulvérisation, il faut peindre une zone d'essai pour vérifier la forme du jet de pulvérisation.
9. Pulvériser toujours à la pression minimale nécessaire pour obtenir les résultats souhaités. Si la pression du système est trop élevée, la forme de pulvérisation sera trop légère. Si la pression est trop faible, des traînées apparaissent ou la peinture est projetée en « gouttes » au lieu d'être pulvérisée.



Indicateurs de panneau de contrôle

Voici une description des indicateurs de panneau de contrôle.



Indicateur de Pression

L'indicateur de pression affiche la pression de travail actuelle du vaporisateur. Il a trois niveaux d'indication : jaune clignotant, jaune fixe et vert fixe.

Jaune Clignotant

Lorsque l'indicateur de pression est jaune clignotant, l'appareil fonctionne à une pression comprise entre 0 et 200 PSI. Un indicateur de pression jaune clignotant signifie :

- Que l'appareil est branché et en position "ON".
- L'appareil est à une pression d'amorçage (peu ou pas de pression)
- Il est possible sans danger de placer la soupape PRIME/SPRAY entre deux positions.
- Il est possible et sans danger de changer ou de remplacer l'embout de vaporisation (consulter le manuel de l'embout concernant les procédures de remplacement).

NOTA : Si l'indicateur de pression commence à clignoter en jaune lorsque le bouton de commande de la pression est réglé sur une pression supérieure et que la soupape de PRIME/SPRAY est en position SPRAY, soit l'embout de vaporisation est usé, soit il y a une fuite, soit l'appareil doit être entretenu/réparé.

Jaune Fixe

Lorsque l'indicateur de pression est jaune fixe, l'appareil fonctionne à une pression comprise entre 200 et 1800 PSI. Un indicateur de pression jaune fixe signifie :

- Que l'appareil est à la bonne pression pour vaporiser de la teinture, de la laque, du vernis et des peintures multicolores.

- Si l'indicateur de pression passe au jaune fixe lorsque la pression est réglée pour démarrer en vert fixe, cela signifie l'un des points suivants :
 - Indicateur d'Usure d'Embout** – lors de la vaporisation avec du latex ou à haute pression, le jaune fixe apparaît. Ceci signifie que l'embout est usé et doit être remplacé.
 - Embout Trop Grand** – lorsqu'un embout est trop grand pour l'appareil est installé sur le pistolet, l'indicateur de pression passe de vert fixe à jaune fixe.
 - Usure de la Section des Fluides** – si un indicateur de pression jaune fixe apparaît lorsqu'on utilise un nouvel embout et que la pression est réglée au maximum, il est peut être nécessaire de réparer l'appareil (tampons graisseurs usés, piston usé, soupape collée, etc).

Vert Fixe

Lorsque l'indicateur de pression est vert fixe, l'appareil fonctionne à une pression comprise entre 1800 et 3300 PSI. Un indicateur de pression vert fixe signifie :

- L'appareil est réglé sur la bonne pression pour vaporiser des peintures d'intérieur à l'huile ou au latex.
- L'appareil fonctionne à plein régime avec une pression élevée.

Indicateur de Fonctionnement du Moteur

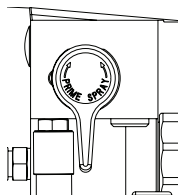
L'indicateur de Fonctionnement du Moteur est allumé lorsque le moteur est mis en marche. Cet indicateur est utilisé par les centres techniques pour réparer les problèmes de moteur.

Procédure de décompression



Assurez-vous de bien suivre la Procédure de décompression lorsque vous arrêtez l'appareil pour une raison quelconque, y compris lors de l'entretien ou du réglage d'une pièce du circuit de vaporisation, du remplacement ou du nettoyage des embouts de vaporisation ou lors de la préparation au nettoyage.

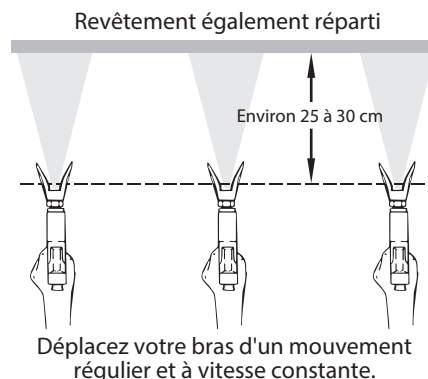
1. S'assurer que le bouton de régulation de pression soit à la position OFF (zone blanc).
2. Tournez la soupape PRIME/SPRAY en position SPRAY.
3. Enclenchez le pistolet pour éliminer toute pression qui pourrait se trouver dans le tuyau.
4. Verrouillez le pistolet en enclenchant le cran de sûreté (voir le Guide d'utilisation du pistolet).



Danger de blessure par injection. Ne vaporisez pas si l'embout de protection de la tête n'est pas en place. Ne déclenchez JAMAIS le pistolet si la tête de pulvérisation n'est pas en position de pulvérisation ou de décolmatage. Engagez TOUJOURS le dispositif de verrouillage de la gâchette du pistolet avant de démonter, de remplacer ou de nettoyer la tête.

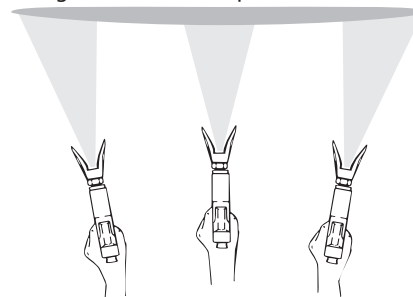
Technique de pulvérisation

Pour obtenir une peinture d'un fini impeccable il est essentiel que le produit soit également réparti sur toute la surface. Pour y parvenir, procédez par applications régulières. Déplacez votre bras à vitesse constante et gardez toujours le pistolet de pulvérisation à une distance constante de la surface. Placez votre pistolet de telle sorte que la tête de pulvérisation soit à une distance d'environ 25 à 30 cm (10 à 12 po) de la surface.



Gardez le pistolet de pulvérisation à angle droit par rapport à la surface. Il vous faut pour cela déplacer tout votre bras de haut en bas et non pas seulement fléchir votre poignet.

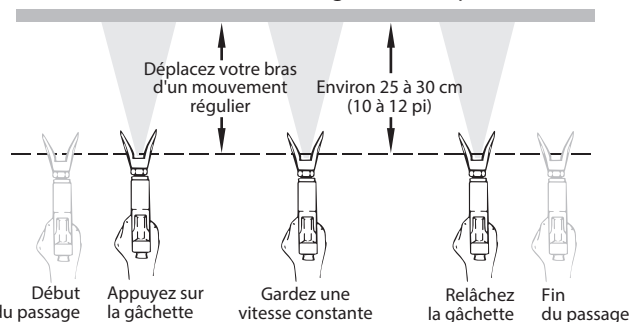
Couche légère Couche épaisse Couche légère



Placez le pistolet de pulvérisation perpendiculaire à la surface, afin d'éviter qu'une extrémité de chaque passage soit plus épaisse que l'autre.

Appuyez sur la gâchette au début et à la fin de chaque passage. Vous éviterez de gaspiller de la peinture ou d'avoir une accumulation de peinture à l'extrémité du passage. N'enclenchez pas le pistolet au milieu d'un passage. Ceci entraînerait une pulvérisation inégale et un revêtement irrégulier.

Comment bien utiliser la gâchette du pistolet



Chevauchez chaque passage d'environ 30 %. Vous obtiendrez ainsi un revêtement uniforme.

Lorsque vous avez terminé de peindre, bloquez le pistolet, tournez le bouton de réglage de la pression dans le sens contraire des aiguilles d'une montre sur la pression la plus faible et placez la soupape de PRIME/SPRAY sur PRIME. Placez l'interrupteur du moteur en position ARRÊT (OFF) puis débranchez le pulvérisateur.

Nettoyage



Directives particulières pour le nettoyage au moyen de solvants inflammables :

- Purger le pistolet à l'extérieur de préférence, à une distance d'au moins une longueur de flexible de la pompe.
- Si le solvant usé est recueilli dans un contenant métallique de 4 litres (1 gallon), celui-ci doit être inséré dans un second contenant d'au moins 20 litres (5 gallons).
- L'endroit choisi doit être exempt de vapeurs inflammables.
- On doit suivre les directives de nettoyage à la lettre.

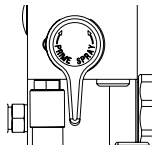
IMPORTANT : Le vaporisateur, le flexible et le pistolet doivent être nettoyés en profondeur après chaque journée d'utilisation et ce, afin d'éviter les accumulations de produit susceptibles de nuire grandement au rendement de l'appareil.



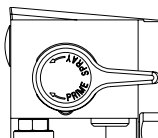
Lorsqu'on se sert d'essence minérale ou d'autres solvants pour nettoyer le vaporisateur, le flexible ou le pistolet, on doit régler la pression au minimum et retirer l'embout de la buse du pistolet. L'accumulation d'électricité statique risque de provoquer des incendies en présence de vapeurs inflammables.

1. Suivre la Procédure de décompression à la section Fonctionnement du présent manuel.
2. Retirer l'embout et le protège-embout, et les nettoyer au moyen d'une brosse et du solvant approprié.
3. Mettre le flexible d'aspiration dans un contenant de solvant approprié (de l'eau dans le cas de peintures au latex, de l'essence minérale dans le cas de peintures à l'huile, etc.).
4. Mettre le flexible de retour dans un contenant de purge métallique.
5. Abaisser la soupape PRIME/SPRAY à la position PRIME.

NOTA : Tenez le tube de retour dans le conteneur de déchets en faisant passer le PRIME / SPRAY soupape de PRIME dans le cas où le pulvérisateur est sous pression.



6. Régler la pression pour le RAPID CLEAN par pulsations en mettant le bouton de régulation à la position RAPID CLEAN.
7. Mettre l'appareil en marche en mettant le commutateur à la position ON.
8. Laisser le solvant circuler dans l'appareil pour évacuer le produit de peinture par le flexible de retour, jusqu'au contenant de purge.
9. Arrêter l'appareil en mettant le commutateur à la position OFF.
10. Soulever la soupape PRIME/SPRAY à la position SPRAY.
11. Mettre l'appareil en marche.



On doit mettre le pistolet à la terre en le tenant contre le bord du contenant de purge métallique pendant qu'il se vide afin d'éviter les risques de décharges électrostatiques, lesquelles peuvent provoquer un incendie.

12. Appuyer sur la détente en visant le contenant métallique pour purger le produit du flexible, jusqu'à ce que le solvant s'écoule du pistolet.
13. Continuer d'appuyer sur la détente, en direction du contenant métallique, jusqu'à ce que le solvant évacué soit propre.

NOTA : Pour l'entreposage à long terme en milieu froid, remplir tous les composants de l'appareil d'essence minérale.

14. Suivre la Procédure de décompression à la section Fonctionnement du présent manuel.
15. Débrancher l'appareil et le ranger dans un endroit propre et sec.

IMPORTANT : Ne pas ranger l'appareil sous pression.

Maintenance



Avant de procéder, on doit suivre les directives de la section "Procédure de décompression" du présent manuel. On doit également respecter tous les autres avertissements si on veut éviter les blessures par injection, par contact avec une pièce mobile ou par choc électrique. Le vaporisateur doit toujours être débranché avant d'être entretenu ou réparé.

Généralités concernant la maintenance

Pour réparer ou entretenir le vaporisateur, on pourrait avoir à recourir aux outils suivants :

Tournevis étoile	Clé hexagonale de 1,0 cm (3/8 po)
Pince à bec pointu	Clé hexagonale de 0,8 cm (5/16 po)
Clé à ouverture variable	Clé hexagonale de 0,6 cm (1/4 po)
Maillet en caoutchouc	Clé hexagonale de 0,5 cm (3/16 po)
Tournevis plat	Clé hexagonale de 0,4 cm (5/32 po)
	Clé hexagonale de 0,3 cm (5/64 po)

1. Avant de procéder à la maintenance de n'importe quel composant du vaporisateur, il faut lire attentivement les directives ainsi que tous les avertissements qu'elles contiennent.

IMPORTANT : Ne jamais tirer sur le cordon pour le débrancher, ce qui pourrait détacher le connecteur des fils.

2. Vérifier les résultats de la maintenance effectuée avant d'utiliser le vaporisateur en conditions normales afin de s'assurer que le problème ait bel et bien été corrigé. Si le vaporisateur ne fonctionne toujours pas comme il faut, repasser la procédure pour s'assurer qu'elle ait été bien suivie. Se reporter ensuite à la section Dépannage pour cerner la source potentielle du problème.
3. S'assurer que l'endroit choisi soit bien ventilé si des solvants sont utilisés pour le nettoyage. Toujours porter des lunettes de protection lorsqu'on procède à la maintenance. D'autres dispositifs protecteurs pourraient être requis selon le type de solvant utilisé; on doit toujours communiquer avec le fabricant de ce dernier pour obtenir ses recommandations à cet effet.
4. Pour toute autre question relative à ce vaporisateur à dépression, il suffit de communiquer avec Titan : Service à la clientèle (É.-U.) **1-800-526-5362**

Remplacement du moteur

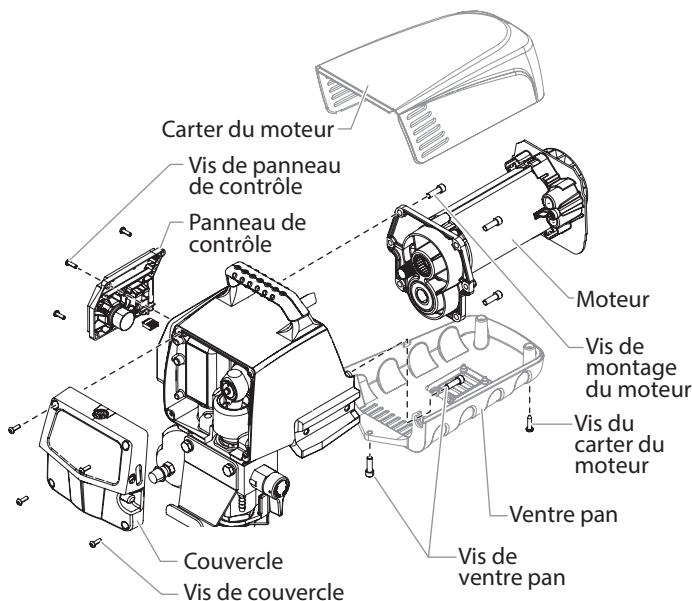
1. Suivre la Procédure de décompression et débrancher l'appareil.
2. Desserrer et retirer les deux vis du carter de moteur et retirer ce premier.
3. Desserrer et retirer les trois vis du ventre pan. Retirer le ventre pan.
4. À l'arrière du moteur, débranchez le fil venant du potentiomètre et le fil venant du transducteur. Débranchez les deux fils venant du panneau de bord. (se reporter au schéma de raccordement électrique de la section Listes de pièces du présent manuel).
5. Retirez les quatre vis de montage panneau de contrôle. Tirez le panneau de contrôle d'accès au panneau de bord.
6. Sur le panneau de bord, débrancher les deux fils venant du moteur (se reporter au schéma de raccordement électrique de la section Listes de pièces du présent manuel).
7. Desserrer et retirer les quatre vis de montage du moteur.
8. Retirer le moteur du logement de la pompe.

NOTA : Si le moteur refuse de sortir du logement de la pompe :

- Retirer le couvercle avant.

- Au moyen d'un maillet en caoutchouc, donner de petits coups à l'avant du vilebrequin (qui ressort de la bielle).

9. Une fois le moteur retiré, inspecter les engrenages dans le logement de la pompe pour y détecter d'éventuels dommages ou une usure excessive. Les remplacer, le cas échéant.
10. Installer le nouveau moteur dans le logement de la pompe.
11. Fixer le moteur au moyen des quatre vis de montage.
12. Reconnecter les fils (se reporter au schéma de raccordement électrique de la section Listes de pièces du présent manuel).
13. Positionnez le panneau de contrôle sur le logement de pompe et sécuriser en position à l'aide des quatre vis de montage panneau de contrôle.
14. Remplacer le ventre pan. Glisser le ventre pan en le fixant au moyen des trois vis prévues.
15. Glisser le carter sur le moteur en le fixant au moyen des deux vis prévues.



Remplacement des engrenages

1. Suivre la Procédure de décompression et débrancher l'appareil.
2. Desserrer et retirer les deux vis du carter de moteur et retirer ce premier.
3. Desserrer et retirer les trois vis du ventre pan. Retirer le ventre pan.
4. À l'arrière du moteur, débranchez le fil venant du potentiomètre et le fil venant du transducteur. Débranchez les deux fils venant du panneau de bord. (se reporter au schéma de raccordement électrique de la section Listes de pièces du présent manuel).
5. Retirez les quatre vis de montage panneau de contrôle. Tirez le panneau de contrôle d'accès au panneau de bord.
6. Sur le panneau de bord, débrancher les deux fils venant du moteur (se reporter au schéma de raccordement électrique de la section Listes de pièces du présent manuel).
7. Desserrer et retirer les quatre vis de montage du moteur.
8. Retirer le moteur du logement de la pompe.

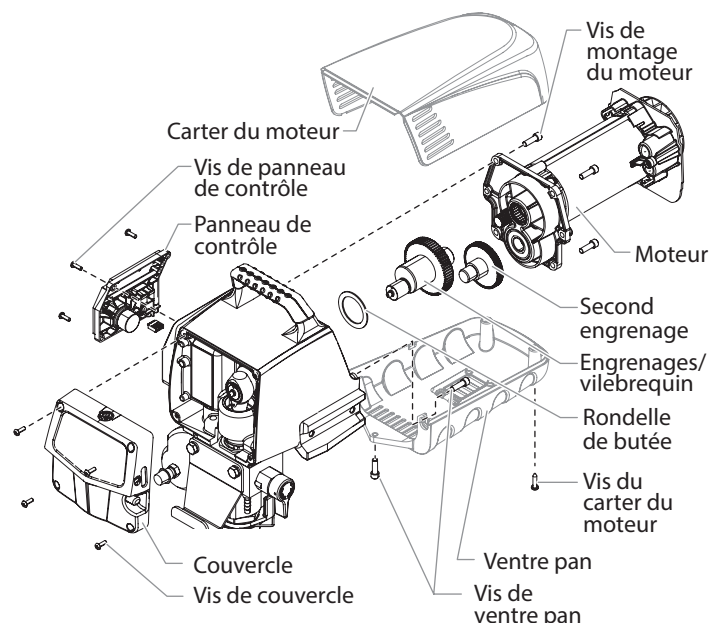
NOTA : Si le moteur refuse de sortir du logement de la pompe :

- Retirer le couvercle avant.

- Au moyen d'un maillet en caoutchouc, donner de petits coups à l'avant du vilebrequin (qui ressort de la bielle).

9. Inspecter l'engrenage d'armature à l'extrémité du moteur pour y détecter d'éventuels dommages ou une usure excessive. Si cet engrenage est complètement usé, remplacer tout le moteur.
10. Retirer et inspecter le second engrenage pour y détecter d'éventuels dommages ou une usure excessive. Le remplacer, le cas échéant.
11. Retirer et inspecter l'assemblage engrenages/vilebrequin pour y détecter d'éventuels dommages ou une usure excessive. Le remplacer, le cas échéant.
11. Remonter la pompe en reprenant les étapes ci-dessus à l'envers, en s'assurant que les rondelles de butée restent bien en place.

NOTA : Verser environ 150 ml (5 oz) de Lubriplate (no 314-171) dans la boîte d'engrenages.



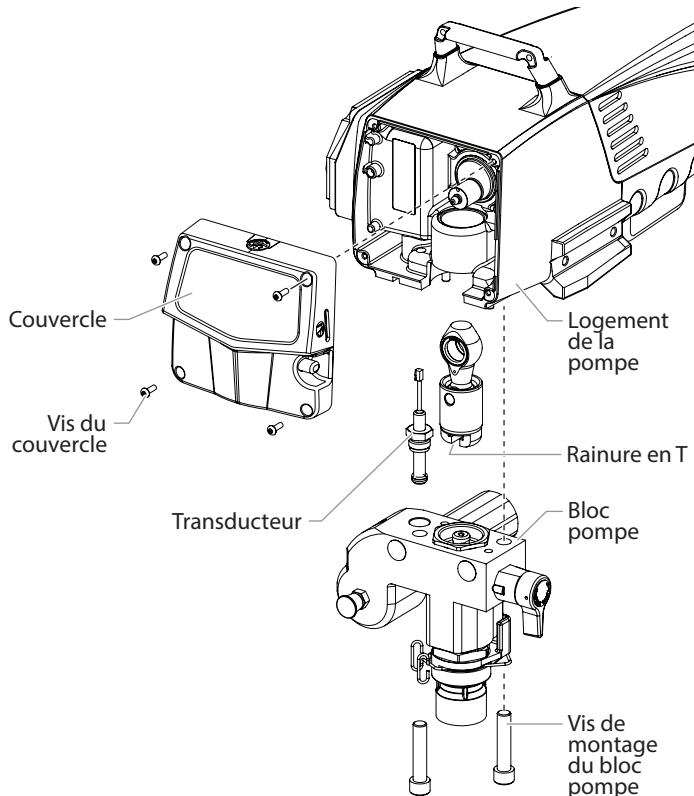
Remplacement du transducteur

1. Desserrer et retirer les quatre vis du couvercle avant et retirer ce dernier.
2. Arrêter le vaporisateur en le bas de course afin que le piston soit à sa position la plus basse.
3. Suivre la Procédure de décompression et débrancher l'appareil.



Avant de procéder, on doit suivre les directives de la section Procédure de décompression du présent manuel. On doit également respecter tous les autres avertissements si on veut éviter les blessures par injection, par contact avec une pièce mobile ou par choc électrique. Le vaporisateur doit toujours être débranché avant d'être entretenu ou réparé.

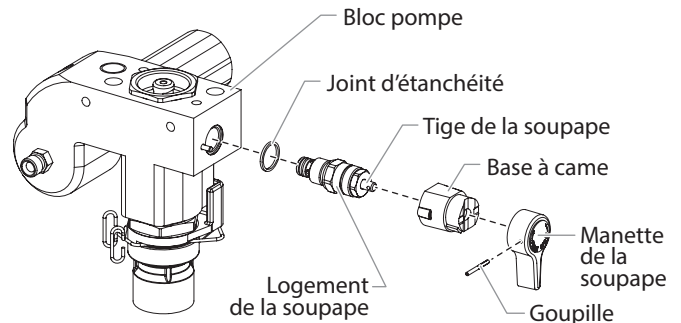
4. Incliner la pompe vers l'arrière pour accéder plus facilement à la section des liquides.
5. Au moyen d'une clé hexagonale de 1,0 cm, desserrer et retirer les deux vis de montage du bloc pompe.
6. Tirer sur le bloc pompe afin de le faire ressortir d'environ 1,5 cm (1/2 po) de son logement, de manière à dégager le transducteur.
7. Glisser le bloc pompe et la tige du piston vers l'avant jusqu'à ce que cette dernière sorte de la rainure en T de la bielle.
8. Tirer doucement le fil à capteur de la pompe de logement jusqu'à ce que la connexion avec le transducteur de cavalier est exposée. Débranchez le fil du capteur de cavaliers. (se reporter au schéma de raccordement électrique de la section Listes de pièces du présent manuel).
9. Retirez le transducteur de la bloc pompe avec une clé.
10. Installer le nouveau transducteur dans le logement de la pompe. Serrez avec une clé.
11. Branchez le nouveau transducteur fil dans le transducteur de cavaliers (se reporter au schéma de raccordement électrique de la section Listes de pièces du présent manuel).
12. Remonter la pompe en reprenant les étapes 1 à 7 à l'envers.



Remplacement de la soupape PRIME/SPRAY

Pour effectuer cette procédure, on doit se procurer une trousse de remplacement de soupape PRIME/SPRAY (no 700-258).

1. Pousser la goupille hors de la manette de la soupape.
2. Retirer la manette et la base à came.
3. Au moyen d'une clé, desserrer et retirer le logement de la soupape.
4. S'assurer que le joint d'étanchéité soit à sa place, et visser le nouveau logement dans le bloc pompe; serrer fermement à l'aide d'une clé.
5. Mettre la base à came par dessus le logement de la soupape; la lubrifier au moyen de graisse et aligner la came avec le bloc pompe.
6. Aligner le trou dans la tige de soupape avec celui de la manette.
7. Insérer la goupille à travers ces deux trous afin de fixer la manette en place.



Maintenance de la section des liquides

On doit suivre les procédures suivantes pour effectuer la maintenance des soupapes et remplacer les tampons graisseurs de la section des liquides. Au préalable, il est cependant important de procéder aux étapes ci-dessous.

1. Desserrer et retirer les quatre vis du couvercle avant et retirer ce dernier.
2. Arrêter le vaporisateur en le bas de course afin que le piston soit à sa position la plus basse.
3. Suivre la Procédure de décompression et débrancher l'appareil.



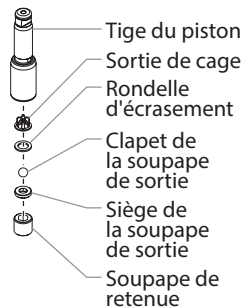
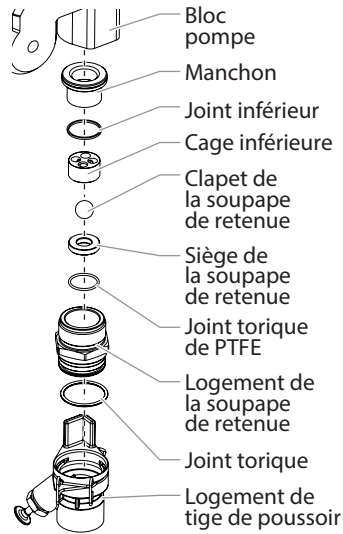
Avant de procéder, on doit suivre les directives de la section Procédure de décompression du présent manuel. On doit également respecter tous les autres avertissements si on veut éviter les blessures par injection, par contact avec une pièce mobile ou par choc électrique. Le vaporisateur doit toujours être débranché avant d'être entretenu ou réparé.

4. Dévisser le flexible de retour du bloc pompe. Retirer l'agrafe qui fixe le bloc d'aspiration à la soupape de retenue; disjoindre ces éléments.
5. Incliner la pompe vers l'arrière pour accéder plus facilement à la section des liquides.

Maintenance des soupapes

La conception de la section des liquides du vaporisateur fait en sorte qu'on peut accéder aux soupapes de retenue et de sortie, de même qu'à leur siège respectif, sans avoir à démonter toute la section. Il arrive que ces soupapes soient mal assises à cause de débris accumulés; en suivant les directives ci-dessous, on peut les nettoyer et inverser ou remplacer leur siège.

1. Retirez la agrafe de tige poussoir faites glisser la tige poussoir de la logement de la soupape de retenue
2. Au moyen d'une clé, desserrer et retirer le logement de la soupape de retenue du bloc pompe.
3. Enlever tous les débris dans le logement et examiner les composants; si le siège est endommagé, l'inverser ou le remplacer.
4. À l'aide d'une clé hexagonale de 0,8 cm (5/16 po), dévisser et retirer le logement de la soupape de retenue de la tige du piston.



NOTA : La tige du piston doit toujours être raccordée à la pompe quand on effectue l'entretien de la soupape de sortie; ce faisant, on évitera que la tige pivote lorsqu'on démonte la soupape.

5. Enlever tous les débris dans le logement et examiner les composants; si le siège est endommagé, l'inverser ou le remplacer.
6. Retirer, nettoyer et inspecter la cage et le clapet supérieurs; les remplacer s'ils sont usés ou endommagés.

NOTA : La sortie de cage doit toujours être utilisé avec la rondelle d'écrasement. Ils sont inclus dans l'assemblage P/N 704-642.

6. Remonter les soupapes en reprenant les étapes ci-dessus à l'envers.

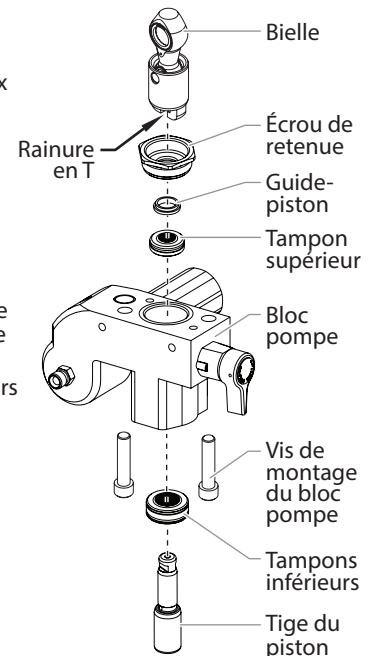
NOTA : Pendant le remontage de la soupape, appliquer une goutte de Loctite (inclus dans le kit de emballage) pour les fils de la sortie soupape de retenue avant de les assembler dans la tige de piston. Couple de la retenue à 144 in./lbs. (12 ft./lbs.).

Remplacement des tampons graisseurs

1. Retirer les soupape de retenue en suivant les directives de la section Maintenance des soupapes ci-dessus.

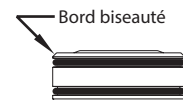
NOTA : La valve de sortie n'a pas besoin d'être démonté à partir de la tige de piston pour cette procédure.

2. Au moyen d'une clé hexagonale de 1,0 cm, desserrer et retirer les deux vis de montage du bloc pompe.
3. Tirer sur le bloc pompe afin de le faire ressortir d'environ 1,5 cm de son logement.
4. Glisser le bloc pompe et la tige du piston vers l'avant jusqu'à ce que cette dernière sorte de la rainure en T de la bielle.
5. Glisser la tige du piston hors de la partie inférieure du bloc pompe.
6. Desserrer et retirer l'écrou de retenue et le guide-piston du bloc pompe.
7. Retirer les tampons supérieurs et inférieurs du bloc pompe.
8. Nettoyer le bloc pompe et installer les nouveaux tampons supérieur et inférieurs (se reporter à l'illustration ci-dessous pour bien les orienter).



La partie surélevée et le joint torique du tampon supérieur doivent être vers le bas.

La bord biseauté doivent être vers le haut.



9. Inspecter la tige du piston pour y déceler toute trace d'usure et la remplacer au besoin.
10. Remonter la soupape de sortie dans la tige du piston; serrer fermement le logement au moyen d'une clé.

NOTA : Se servir de la rainure en T de la bielle pour retenir la tige du piston quand on serre le logement de la soupape.

IMPORTANT : On ne doit jamais se servir d'une clé pour serrer le piston lui-même, ce qui pourrait l'endommager et entraîner des fuites.

11. Insérer le guide-piston dans l'écrou de retenue et visser fermement ce dernier à la main dans le bloc pompe.
12. Glisser l'outil guide-piston (inclus dans la trousse de remplacement des tampons) sur le dessus de la tige du piston, puis insérer cette dernière dans la partie inférieure du bloc pompe. À l'aide d'un maillet en caoutchouc, donner de petits coups au bas de la tige jusqu'à ce qu'elle reprenne sa place dans le bloc pompe.

NOTA : Enduire de graisse l'outil guide-piston et la tige du piston avant de les insérer dans le bloc pompe.

13. Au moyen d'une clé, serrer fermement l'écrou de retenue.
14. Glisser le haut de la tige du piston dans la rainure en T de la bielle.

15. Positionner le bloc pompe sous son logement et l'y insérer jusqu'au fond.
16. Insérer les vis de montage du bloc pompe à travers ce dernier et son logement; serrer fermement.
17. Remonter la soupape de retenue dans le bloc pompe.
18. Vissez le tube-siphon dans le clapet de pied et vissez jusqu'à ce qu'il soit solidement fixé. Assurez vous de recouvrir les filets de l'adaptateur du tube intérieur/tube-siphon à l'aide de ruban de PTFE avant le montage. Remettez le tuyau de retour dans la bride de serrage du tube-siphon.
19. Mettre le couvercle avant sur le logement de la pompe et le fixer au moyen des quatre vis prévues.
20. Mettre le vaporisateur en marche en suivant la procédure indiquée dans la section Fonctionnement du présent manuel pour s'assurer de l'absence de fuites.

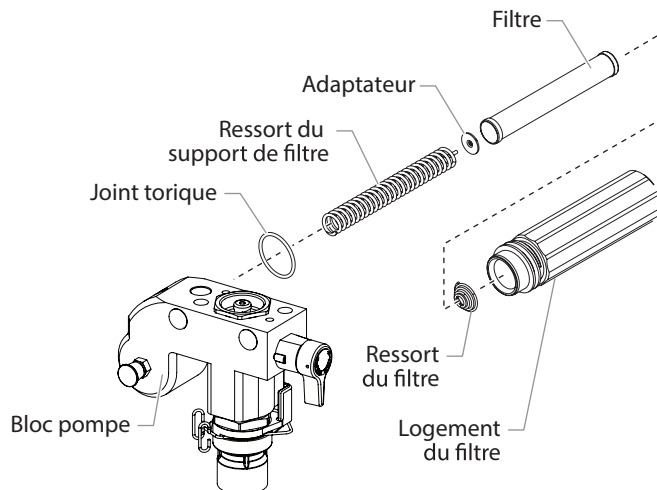
NOTA : On peut se procurer une trousse de remplacement des tampons graisseurs (no 704-586), laquelle contient les éléments qui garantiront les meilleurs résultats pour cette procédure.

Remplacement des filtres

Filter de pompe

1. Dégager et retirer le logement du filtre.
2. Retirer le filter du ressort du support de filter.
3. Inspecter le filter; le nettoyer ou le remplacer au besoin.
4. Inspecter le joint; le nettoyer ou le remplacer au besoin.
5. Faites glisser le nouveau filter ou nettoyer le filter au cours du support avec le soutien de l'adaptateur en place. oussez le filter dans le centre de la bloc pompe.
6. Glisser le logement sur le filter et le visser solidement sur le bloc pompe.

NOTA : Le filter de logement devrait être serrés la main, mais assurez-vous que le logement du filter est assise pleinement dans le bloc pompe.



Dépannage

Problème

A. L'appareil ne fonctionne pas.

Cause

1. L'appareil n'est pas branché.
2. Disjoncteur déclenché.
3. Le réglage de pression est trop bas (le bouton de commande de la pression au réglage minimum n'envoie pas de puissance au vaporisateur).
4. Câblage défectueux ou débranché.
5. Température excessive du moteur.
6. Commutateur MARCHE/ARRÊT défectueux.

Solution

1. Brancher l'appareil.
2. Réenclencher le disjoncteur.
3. Faire tourner le bouton de commande de la pression pour alimenter l'appareil et accroître la pression.
4. Vérifier ou le faire réparer dans un centre d'entretien agréé par Titan.
5. Laisser le moteur refroidir.
6. Remplacer le commutateur MARCHE/ARRÊT.

B. L'appareil ne s'amorce pas.

1. La soupape de PRIME/SPRAY est en position SPRAY.
2. Fuite d'air dans le flexible du siphon/d'aspiration.
3. Le filtre de la pompe et/ou le filtre d'entrée sont bouchés.
4. Le flexible de siphon/d'aspiration est bouché.

1. Faire tourner la soupape PRIME/SPRAY dans le sens des aiguilles d'une montre en position PRIME.
2. Vérifier le branchement du flexible du siphon/d'aspiration et serrer ou recoller le raccord avec du ruban en PTFE.
3. Démontez le filtre de la pompe et le nettoyer. Démontez le filtre d'entrée et le nettoyer.
4. Démontez le flexible du siphon/d'aspiration et le nettoyer.

Dépannage

Problème

Cause

Solution

C. La pression ne se fait pas dans l'appareil ou la pression n'est pas uniforme.

1. L'embout d'aspiration est usé.
2. L'embout d'aspiration est trop grand.
3. Le bouton de commande de la pression n'est pas correctement fixé.
4. Le filtre de la pompe, le filtre du pistolet ou le filtre d'entrée sont bouchés.
5. Du produit s'échappe du flexible de retour lorsque la soupape de PRIME/SPRAY est en position SPRAY.
6. Fuite d'air dans le flexible du siphon/le flexible d'aspiration.
7. Il y a une fuite de liquide externe.
8. Il y a une fuite interne dans la section des liquides (les tampons graisseurs sont usés et/ou sales, les clapets sont usés).
9. Sièges de soupape usés.
10. Le moteur démarre mais ne tourne pas.

1. Remplacer l'embout d'aspiration selon les consignes qui accompagnent le pistolet de vaporisation.
2. Remplacer l'embout d'aspiration par un embout à moins large selon les consignes qui accompagnent le pistolet de vaporisation.
3. Tourner le bouton dans le sens des aiguilles d'une montre pour augmenter la pression.
4. Démonter le filtre de la pompe et le nettoyer. Retirer le filtre du pistolet et le nettoyer. Démonter le filtre d'entrée et le nettoyer.
5. Nettoyer ou remplacer la soupape de PRIME/SPRAY.
6. Vérifier le branchement du flexible du siphon/d'aspiration et serrer ou recoller le raccord avec du ruban en PTFE.
7. Vérifier qu'il n'y a pas de fuites externes dans tous les raccords. Resserrer les raccords au besoin.
8. Nettoyer les soupapes et la section des liquides selon la procédure "Maintenance de la Section des Liquides" décrite au chapitre Maintenance de ce manuel.
9. Inverser ou remplacer les sièges de soupape selon la procédure "Maintenance de la Section des Liquides" décrite au chapitre Maintenance de ce manuel.
10. Faire réparer dans un centre d'entretien agréé par Titan.

D. Fuite de liquide dans la partie supérieure de la section des liquides.

1. Les tampons graisseurs supérieurs sont usés.
2. La tige du piston est usée.

1. Regarnir selon la procédure "Maintenance de la Section des Liquides" décrite au chapitre Maintenance de ce manuel.
2. Remplacer la tige du piston selon la procédure "Maintenance de la Section des Liquides" décrite au chapitre Maintenance de ce manuel.

E. Trop grand afflux au pistolet vaporisateur.

1. Mauvais type de flexible de vaporisation sans air.
2. L'embout d'aspiration est usé ou trop grand.
3. Pression excessive.

1. Remplacer le flexible par un flexible de vaporisation de peinture sans air en tresse de textile de 1/4" et de 15m de longueur.
2. Remplacer l'embout d'aspiration selon les consignes qui accompagnent le pistolet de vaporisation.
3. Faire tourner le bouton de commande de la pression dans le sens inverse des aiguilles d'une montre pour réduire la pression d'évaporation.

F. Forme de vaporisation incorrecte.

1. L'embout d'aspiration est trop grand pour le produit utilisé.
2. Mauvais réglage de pression.
3. Sortie de liquide insuffisante.
4. Le produit vaporisé est trop visqueux.

1. Remplacer l'embout d'aspiration par un embout neuf ou plus petit selon les consignes qui accompagnent le pistolet de vaporisation.
2. Faire tourner le bouton de commande de la pression pour régler la pression sur une forme de vaporisation plus adaptée.
3. Nettoyer toutes les crépines et tous les filtres.
4. Ajouter du solvant au produit selon les recommandations du fabricant.

G. L'outil n'est pas alimenté électriquement.

1. Le réglage de la pression est trop faible.
2. Mauvaise tension d'alimentation.

1. Faire tourner le bouton de commande de la pression dans le sens des aiguilles d'une montre pour augmenter la pression.
2. Rebrancher sur 120 V AC.

H. Le compresseur ne démarre pas.

1. L'interrupteur MARCHÉ/ARRÊT (ON/OFF) du compresseur est en position ARRÊT (OFF).
2. L'interrupteur MARCHÉ/ARRÊT (ON/OFF) du compresseur est endommagé.
3. Problème de compresseur.
4. Disjoncteur déclenché.
5. Bloqué ou défectueux solénoïde de pression ne parvient pas à soulager la pression.

1. Placez l'interrupteur MARCHÉ/ARRÊT (ON/OFF) du compresseur en position MARCHÉ (ON).
2. Faites réparer dans un centre d'entretien agréé par Titan.
3. Faites réparer dans un centre d'entretien agréé par Titan.
4. Réenclencher le disjoncteur.
5. Nettoyez l'orifice de décharge.

I. Le compresseur démarre, mais il n'y a pas assez d'air.

1. Le régulateur d'air est réglé trop faiblement.
2. La peinture est trop épaisse.
3. Soupape d'air fermée sur le pistolet.
4. Mauvaise limitation de pression.

1. Augmentez le réglage du régulateur d'air.
2. Diluez la peinture.
3. Ouvrez la soupape d'air du pistolet. Consultez le manuel d'utilisation du pistolet.
4. Installez une soupape de décharge neuve.

Información de seguridad importante

Lea toda la información de seguridad antes de operar el equipo. Guarde estas instrucciones.



Indica una situación peligrosa que, de no evitarse, puede causar la muerte o lesiones graves.

Para reducir los riesgos de incendios, explosiones, descargas eléctricas o lesiones a las personas, lea y entienda todas las instrucciones incluidas en este manual. Familiarícese con los controles y el uso adecuado del equipo.

Instrucciones para la conexión a tierra

Este producto debe conectarse a tierra. En caso de un cortocircuito eléctrico, la conexión a tierra reduce el riesgo de choque eléctrico al aportar un alambre de escape para la corriente eléctrica. Este producto está equipado con un cable que tiene alambre a tierra con un enchufe a tierra adecuado. Debe usarse el enchufe para conectar a un receptáculo que esté debidamente instalado y conectado a tierra en conformidad con los códigos y las ordenanzas locales.



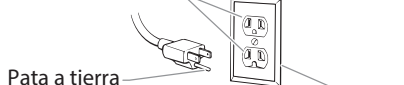
ADVERTENCIA - La instalación incorrecta del enchufe a tierra puede ocasionar un riesgo de choque eléctrico.

Si es necesario reparar o cambiar el cable o el enchufe, no conecte el cable verde a tierra a ninguno de las terminales de espiga plana. El cable con aislamiento de color verde por fuera con o sin rayas amarillas es el alambre a tierra y debe conectarse a la espiga a tierra.

Consulte a un electricista o técnico de servicio capacitado si las instrucciones para la conexión a tierra no se entienden claramente o si tiene dudas en cuanto a que el producto esté debidamente conectado a tierra. No modifique el enchufe que se incluye. Si el enchufe no encaja en el receptáculo, pida a un electricista capacitado que instale un receptáculo adecuado.

Este producto es para utilizarse en un circuito de 120 voltios nominales y tiene un enchufe a tierra que tiene un aspecto similar al ilustrado más abajo. Asegúrese que el producto esté conectado a un tomacorriente que tenga la misma configuración que el enchufe. No deben utilizarse adaptadores para este producto.

Receptáculo conectado a tierra



Pata a tierra

Tapa de la caja de receptáculo conectada a tierra

NOTA: No se recomienda usar una extensión de más de 100 pies. Use una longitud mayor de manguera de pintura, no una extensión más larga. Una extensión más corta asegurará que haya la energía eléctrica máxima para tener un funcionamiento apropiado.



ADVERTENCIA: EXPLOSIÓN O INCENDIO

Los vapores de solventes y pinturas pueden explotar o inflamarse. Pueden producirse daños materiales, lesiones graves o ambos.

PREVENCIÓN:

- No pulverice materiales inflamables ni combustibles cerca de llamas desnudas, pilotos o fuentes de ignición como objetos calientes, cigarrillos, motores, equipos eléctricos o electrodomésticos. Evite producir chispas al conectar y desconectar los cables de alimentación.
- Tenga muchísimo cuidado al usar materiales cuyo punto de ignición sea inferior a 38 °C (100 °F). El punto de inflamación

es la temperatura a la que un fluido puede producir vapor suficiente como para incendiarse.

- La pintura o disolvente que pase por el equipo puede producir electricidad estática. La electricidad estática supone un riesgo de incendio o explosión en presencia de emanaciones de pintura o disolvente. Todas las piezas del sistema pulverizador, incluyendo la bomba, el conjunto de mangueras, la pistola pulverizadora y los objetos dentro y alrededor de la zona de pulverización se conectarán a tierra para protegerlos frente a descargas estáticas y chispas. Utilice solamente mangueras para pulverizadores de pintura airless (sin aire) de alta presión conductoras o con toma a tierra especificadas por el fabricante.
- Compruebe que todos los recipientes y sistemas de recogida están conectados a tierra para evitar descargas eléctricas.
- Conecte a una salida con toma a tierra y utilice cables alargadores puestos a tierra. No utilice un adaptador de 3 a 2.
- No utilice pintura o disolvente que contenga hidrocarburos halogenados, como cloro, fungicida blanqueador, cloruro de metileno y tricloroetano. No son compatibles con el aluminio. Póngase en contacto con el proveedor del material para conocer su compatibilidad con el aluminio.
- Mantenga la zona de pulverización bien ventilada. Asegúrese de que circula aire fresco por la zona para evitar que se acumulen vapores inflamables en el aire de la zona de pulverización. Ponga el conjunto de la bomba en una zona bien ventilada. No pulverice el conjunto de la bomba.
- No fume en la zona de pulverización.
- No encienda interruptores de luces, motores ni productos similares que puedan producir chispas en la zona de pulverización.
- Mantenga la zona limpia y despejada de botes de pintura y disolventes, trapos y otros materiales inflamables.
- Infórmese del contenido de la pintura y de los disolventes que pulverice. Lea las hojas de datos sobre seguridad de los materiales (MSDS) y las etiquetas en los botes de pintura y disolvente. Siga las instrucciones de seguridad del fabricante de la pintura y del disolvente.
- Coloque la bomba al menos a 7,62 metros (25 pies) del objeto que se va a pulverizar en una zona bien ventilada (añada más manguera si fuera necesario). Los vapores inflamables suelen ser más pesados que el aire. La zona del suelo debe estar muy bien ventilada. La bomba contiene piezas que forman arcos que producen chispas y pueden inflamar los vapores.
- El plástico puede producir chispas estáticas. Nunca utilice plástico para cercar la zona de pulverización. No utilice cortinas de plástico mientras pulveriza material inflamable.
- Deberá contar con equipos extintores de incendios que funcionen correctamente.



ADVERTENCIA: LESIÓN POR INYECCIÓN

El flujo de pintura a alta presión que produce este equipo puede perforar la piel y los tejidos subyacentes, ocasionando lesiones graves y posible amputación. CONSULTE A UN MÉDICO INMEDIATAMENTE.

PREVENCIÓN:

- No apunte con la pistola ni pulverice sobre ninguna persona ni animal.
- Mantenga las manos y el resto del cuerpo lejos de la descarga. Por ejemplo, no trate de detener fugas con ninguna parte de su cuerpo.
- NUNCA ponga la mano frente a la pistola. Los guantes no protegen contra una lesión por inyección.

Información de seguridad importante

- SIEMPRE mantenga la protección de la boquilla en su sitio al rociar. La protección de la boquilla sirve principalmente de dispositivo de advertencia.
- Utilice solamente la boquilla especificada por el fabricante.
- Tenga cuidado al limpiar y cambiar las boquillas. Si la boquilla se atasca durante la pulverización, ponga SIEMPRE el seguro del gatillo de la pistola, apague la bomba y libere toda la presión antes de reparar, limpiar el protector o la boquilla o cambiar la boquilla. La presión no se libera apagando el motor. Para liberar la presión hay que poner la manija de la válvula PRIME/SPRAY en PRIME. Consulte el Procedimiento de Alivio de Presión que se describe en el manual de la bomba.
- No deje el aparato con corriente ni con presión cuando nadie esté pendiente de ella. Cuando no utilice el aparato, apáguelo y libere la presión siguiendo las instrucciones del fabricante.
- La pulverización a alta presión puede inyectar toxinas en el cuerpo y producir daños graves en el mismo. En caso de que esto ocurra, visite a un médico inmediatamente.
- Compruebe las mangueras y las piezas en busca de daños; una fuga puede inyectar material en la piel. Inspeccione la manguera antes de cada uso. Sustituya las mangueras o las piezas dañadas. Por razones de funcionamiento, seguridad y duración, emplear únicamente mangueras de alta presión originales de TITAN.
- Este sistema es capaz de producir 3300 PSI / 228 Bar. Utilice solamente piezas de repuesto o accesorios especificados por el fabricante y con una capacidad nominal de 3300 PSI como mínimo. Entre ellos se incluyen boquillas pulverizadoras, protectores para las boquillas, pistolas, alargadores, racores y mangueras.
- Ponga siempre el seguro del gatillo cuando no esté pulverizando. Verifique que el seguro del gatillo funciona correctamente.
- Antes de utilizar el aparato, verifique que todas las conexiones son seguras.
- Aprenda a detener el aparato y a liberar la presión rápidamente. Familiarícese a conciencia con los controles. La presión no se libera apagando el motor. Para liberar la presión hay que poner la manija de la válvula PRIME/SPRAY en PRIME. Consulte el Procedimiento de Alivio de Presión que se describe en el manual de la bomba.
- Quite siempre la boquilla pulverizadora antes de enjuagar o limpiar el sistema.

NOTA PARA EL MÉDICO: La inyección a través de la piel es una lesión traumática. Es importante tratar la lesión tan pronto sea posible. NO retrase el tratamiento para investigar la toxicidad. La toxicidad es un factor a considerar con ciertos revestimientos inyectados directamente en la corriente sanguínea. Puede ser aconsejable consultar con un cirujano plástico o un cirujano especialista en reconstrucción de las manos.



ADVERTENCIA: VAPORES PELIGROSOS

Las pinturas, solventes, insecticidas y demás materiales pueden ser nocivos si se inhalan o toman contacto con el cuerpo. Los vapores pueden causar náuseas graves, desmayos o envenamamiento.

PREVENCIÓN:

- Use un respirador o mascarilla si pueden inhalarse los vapores. Lea todas las instrucciones suministradas con la mascarilla para revisar que brinde la protección necesaria.
- Use lentes protectores.
- Use ropa protectora según lo indique el fabricante del revestimiento.



ADVERTENCIA: GENERAL

Puede causar daños materiales o lesiones graves.

PREVENCIÓN:

- Cuando pinte, lleve siempre guantes, protección para los ojos, ropa y un respirador o máscara adecuados.
- Nunca utilice el aparato ni pulverice cerca de niños. Mantenga el equipo alejado de los niños en todo momento.
- No se estire demasiado ni se apoye sobre un soporte inestable. Mantenga los pies bien apoyados y el equilibrio en todo momento.
- No se distraiga y tenga cuidado con lo que hace.
- No utilice el aparato si está fatigado o se encuentra bajo la influencia del alcohol o de las drogas.
- No retuerza ni doble la manguera en exceso. En la manguera airless pueden aparecer fugas a causa del desgaste, de retorcimientos o de un mal uso. Una fuga puede inyectar material en la piel.
- No exponga la manguera a temperaturas o presiones que superen las especificadas por el fabricante.
- No utilice la manguera como elemento de fuerza para tirar del equipo o levantarlo.
- Utilice la presión más baja posible para enjuagar el equipo.
- Cumpla todos los reglamentos locales, estatales y nacionales pertinentes relativos a ventilación, prevención de incendios y funcionamiento.
- Las normas sobre seguridad del gobierno de los Estados Unidos se han adoptado al amparo de la Ley de salud y seguridad ocupacional (OSHA). Deben consultarse tres normas, particularmente la sección 1910 de las Normas generales y la sección 1926 de las Normas sobre construcción.
- Cada vez que vaya a utilizar el equipo, compruebe antes todas las mangueras en busca de cortes, fugas, abrasión o bultos en la cubierta. Compruebe el movimiento de los acoplamientos y si están dañados. Sustituya inmediatamente una manguera si descubre alguna de estas anomalías. No repare nunca una manguera de pintura. Sustitúyala por una manguera conductora a alta presión.
- No pulverice al aire libre si hace viento.
- Desenchufe siempre el cable antes de trabajar en el equipo.

Especificaciones

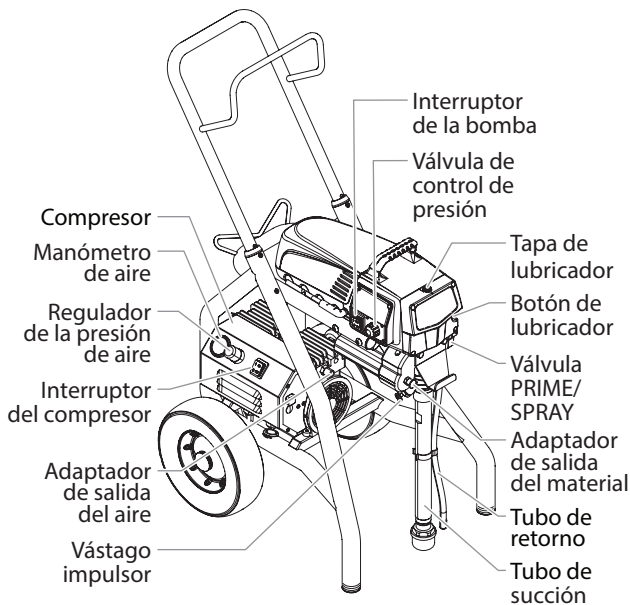
Capacidad (GPM)	0.58 (2.2 LPM)
Tamaño max. de soportes	0.023"
Max presión de pulverización de fluido	3300 PSI (22.8 MPa)
Max presión de pulverización de aire	30 PSI (0,2 MPa)
Suministro eléctrico	120 V, 60 Hz, 12.5 A
Peso	90 lbs (40.8 kg)
Cable de alimentación, dimensión máxima	300' (91.4 m)
Requisitos eléctricos de generado	5000 W (desactivar característica de hacia abajo)

Contenido

Precauciones de seguridad.....	26
Descripción general	28
Instalación.....	28
Operación.....	28
Preparación de un rociador nuevo.....	29
Preparación para pintar.....	29
Cebado	29
Rociado.....	30
Pintura en modo MultiFinish.....	30
Pintura en modo sin aire.....	30
Indicadores de panel de control	30
Procedimiento para aliviar la presión	30
Técnica de pulverización	31
Limpeza	31
Mantenimiento	32
Notas generales de reparación y servicio	32
Reemplazo del motor.....	33
Reemplazo de los engranajes	33
Reemplazo del transductor.....	33
Reemplazo de la válvula de PRIME/SPRAY	34
Servicio a la sección de líquidos.....	34
Reemplazo del filtro.....	36
Solución de problemas.....	36
Lista de piezas.....	38
Registro del producto	47
Garantía.....	48

Descripción general

Este sistema de pulverización de fino acabado es lo suficientemente versátil como para usarse en trabajos de acabado a bajas presiones al igual que en pulverizaciones sin aire a altas presiones. El sistema incluye una bomba de pistón de pintura y un compresor de aire que funcionan juntos a fin de brindar esta versatilidad.

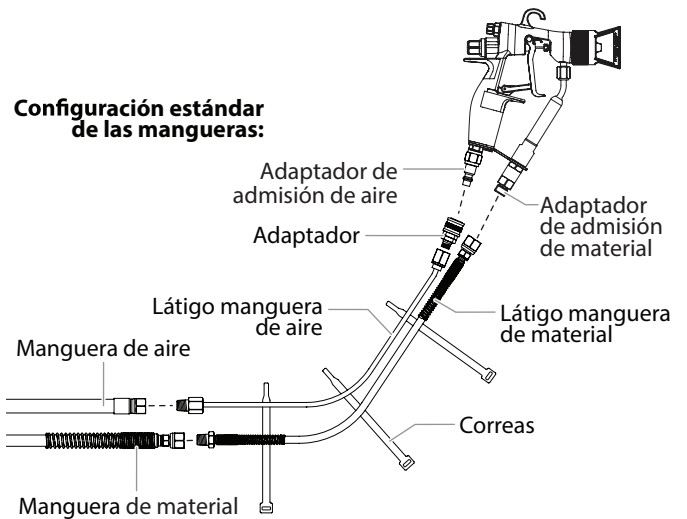


Instalación

Realice el procedimiento a continuación antes de enchufar el cable de alimentación de una unidad eléctrica.

1. Asegúrese de que el interruptor ON/OFF de la bomba y el del compresor se encuentren en la posición OFF.
2. Fíjese que la perilla de control de presión esté en la posición OFF en la zona blanco.
3. Bloquee la pistola girando el seguro del gatillo hasta que quede en posición de bloqueo (consulte el manual de la pistola).

4. Con una llave, conecte al adaptador de salida de material, presente en la bomba, un mínimo de 50' (15,2 m) de manguera de nylon de 1/4" para pulverizaciones sin aire. Apriete firmemente.
5. Conecte la manguera de pulverización al adaptador de admisión de material en la pistola pulverizadora. Usando dos llaves (una en la pistola y la otra en la manguera), apriete firmemente.



Asegúrese de que todas las mangueras sin aire y las pistolas pulverizadoras posean una conexión eléctrica a tierra calculadas para una presión de fluidos de al menos 2800 PSI (19 MPa).

6. Conecte la manguera de aire al adaptador de salida del aire presente en el compresor. Apriete firmemente.
7. Conecte el adaptador de la manguera de aire al adaptador de admisión de aire en la pistola pulverizadora. Conecte la manguera de aire al adaptador. Apriete firmemente.



Cambiar las conexiones de las mangueras puede ocasionar lesiones graves. Asegúrese de que la manguera de pulverización sin aire esté conectada desde la bomba de diafragma al adaptador de admisión de material presente en la pistola. Asimismo, asegúrese de que la manguera de aire esté conectada desde el compresor al adaptador de admisión de aire de la pistola.

8. Fíjese que el juego de succión y la manguera de retorno estén conectados y seguros.
9. Quite la tapa del lubricador usando un destornillador de punta plana. Llene el lubricador con una oz de lubricante de sello de pistón (P/N 313-481). Coloque la tapa.
10. Presione el botón e 2-5 veces para preparar el lubricador. para lubricar la sección de fluidos. Presione una vez para utilizarlo durante 8 horas para lubricar la sección de líquidos.

IMPORTANTE: Nunca haga funcionar la unidad durante más de 10 segundos sin líquido. La operación de esta unidad sin líquido ocasionará un desgaste innecesario de las empaquetaduras.

11. Presione completamente el vástago impulsor.
12. Revise que el servicio eléctrico sea de 120V, 15 amperios, como mínimo.
13. Enchufe el cable de alimentación en un tomacorriente con conexión a tierra apropiada a una distancia mínima de 25 pies del área de rociado.

IMPORTANTE: Use siempre un cable de extensión de tres conductores, calibre 12 como mínimo, con enchufe conectado a tierra. Nunca retire la tercera pata ni use un adaptador.

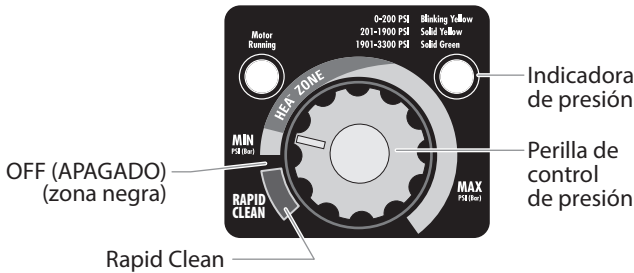
Operación

Preparación de un rociador nuevo

Si esta unidad es nueva, se envía con un líquido de prueba en la sección de líquidos para evitar la corrosión durante el envío y almacenamiento. Este líquido debe retirarse completamente del sistema con alcoholes minerales antes de comenzar a rociar.

IMPORTANTE: Mantenga siempre el seguro del gatillo de la pistola rociadora en la posición bloqueada mientras prepara el sistema.

1. Coloque el tubo de succión en un recipiente de alcoholes minerales.
2. Coloque la manguera de retorno en un recipiente metálico para desecho.
3. Fije la presión al mínimo girando la perilla de control de presión al ajuste "MIN".



4. Mueva hacia abajo la válvula PRIME/SPRAY a la posición PRIME.
5. Encienda la unidad moviendo el interruptor de ON/OFF a la posición ON.
6. Deje funcionar el rociador entre 15 y 20 segundos para eliminar el resto del líquido de prueba a través de la manguera de retorno hacia el recipiente de desecho.
7. Apague la unidad moviendo el interruptor de ON/OFF (ENCENDIDO/APAGADO) a la posición OFF (APAGADO).

Preparación para pintar

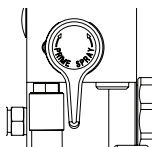
Antes de pintar, es importante revisar que el líquido del sistema sea compatible con la pintura que va a utilizar.

NOTA: Los líquidos y pinturas incompatibles pueden causar que se atasquen cerradas las válvulas, lo cual puede necesitar que se desmonte y limpie la sección de líquidos del rociador.

IMPORTANTE: Mantenga siempre el seguro del gatillo de la pistola rociadora en la posición bloqueada mientras prepara el sistema.

1. Coloque el tubo de succión en un recipiente con el solvente apropiado. Los solventes apropiados son, por ejemplo, agua para pintura látex o alcoholes minerales para las pinturas a base de aceite.
2. Coloque la manguera de retorno en un recipiente metálico para desecho.
3. Fije la presión al mínimo girando la perilla de control de presión al ajuste "MIN".
4. Mueva hacia abajo la válvula PRIME/SPRAY a la posición PRIME.

NOTA: Sujete el tubo de retorno en el contenedor de residuos al mover el PRIME / SPRAY válvula de PRIME en caso de que el pulverizador es presurizado.

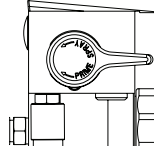


5. Encienda la unidad moviendo el interruptor de ON/OFF a la posición ON.
6. Deje funcionar el rociador entre 15 y 30 segundos para eliminar el resto del solvente anterior a través de la manguera de retorno hacia el recipiente metálico de desecho.

7. Apague la unidad moviendo el interruptor de ON/OFF a la posición OFF.

NOTA: Fíjese que la pistola rociadora no tenga instalada una punta o protección de punta.

8. Mueva hacia arriba la válvula PRIME/SPRAY a la posición SPRAY.
9. Encienda la unidad.
10. Desbloquee la pistola mueva el seguro del gatillo de la pistola a la posición liberada.



Conecte a tierra la pistola apoyándola contra el borde del recipiente de metal mientras elimina el líquido. De lo contrario puede provocar la descarga de electricidad estática, lo cual a su vez puede ocasionar un incendio.

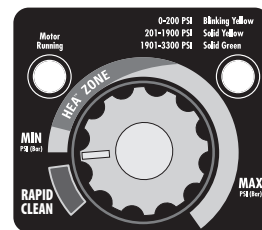
11. Apriete el gatillo en el recipiente metálico para desecho hasta que el solvente usado salga y comience a salir solvente fresco de la pistola.
12. Bloquee la pistola girando el seguro del gatillo hasta que quede en posición de bloqueo (consulte el manual de la pistola).
13. Deje hacia abajo la pistola y aumente la presión girando la perilla de control de presión lentamente en el sentido horario hacia la zona verde.
14. Revise todo el sistema en busca de fugas. Si ocurren fugas, siga el "Procedimiento para aliviar la presión" en este manual antes de apretar conectores o mangueras.
15. Siga el "Procedimiento para aliviar la presión" de este manual antes de cambiar de solvente a pintura.



No deje de seguir el procedimiento para aliviar la presión cuando apague la unidad por cualquier motivo, incluso el servicio o ajuste de alguna pieza del sistema de rociado, cambio o limpieza de las puntas rociadoras o la preparación para la limpieza.

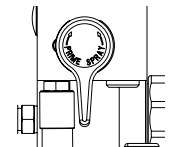
Cebado

1. Coloque el tubo de succión en un recipiente de pintura.
2. Coloque la manguera de retorno en un recipiente metálico para desecho.
3. Fije la presión al mínimo girando la perilla de control de presión al ajuste "MIN".
4. Mueva hacia abajo la válvula PRIME/SPRAY a la posición PRIME.



4. Move the PRIME/SPRAY valve down to the PRIME position.

NOTA: Sujete el tubo de retorno en el contenedor de residuos al mover el PRIME / SPRAY válvula de PRIME en caso de que el pulverizador es presurizado.



5. Encienda la unidad moviendo el interruptor de ON/OFF a la posición ON.
6. Deje funcionar el rociador hasta que empiece a pasar pintura a través de la manguera de retorno hacia el recipiente metálico de desecho.
7. Apague la unidad moviendo el interruptor de ON/OFF a la posición OFF.
8. Retire la manguera de retorno del recipiente para desecho y colóquela en la posición de operación, sobre el recipiente de pintura.

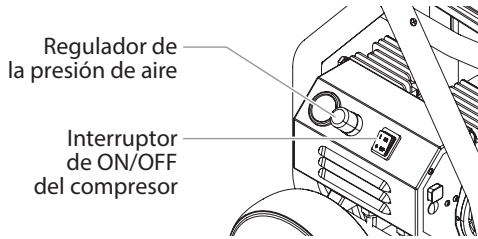
Pintura

El sistema de pulverización MultiFinish tiene dos modos de pintura diferentes. El modo MultiFinish se usa para trabajos de acabado con materiales de baja o media viscosidad (aceites, tinturas, lacas, etc...). El modo sin aire se usa para pinturas en general con materiales de alta viscosidad (látex).

Pintura en modo MultiFinish

Use el modo MultiFinish para trabajos de acabado a bajas presiones (recomendó la presión de la bomba de hasta 1000 PSI).

1. Asegúrese de que la manguera de pulverización sin aire no tenga torceduras y de que esté lejos de objetos cortantes.
2. Fíjese que la perilla de control de presión esté en la posición OFF en la zona blanco.
3. Gire el regulador de la presión de aire del compresor en contra del sentido de las agujas del reloj al ajuste mínimo.
4. Mueva el interruptor ON/OFF del compresor a la posición ON.



5. Mueva el interruptor ON/OFF de la bomba a la posición ON.
6. Gire la válvula PRIME/SPRAY a SPRAY.
7. Gire la válvula de control de presión en el sentido de las agujas del reloj hasta que en el manómetro del material se lea 400 PSI. La manguera de pintura se debe endurecer en la medida que pase pintura a través de ella.
8. Gire el regulador de la presión de aire en el sentido de las agujas del reloj hasta que en el manómetro del material se lea 20 PSI.
9. Desbloquee la gatillo de pistola.
10. Oprima el gatillo de la pistola pulverizadora para eliminar el aire que haya en la manguera del material.
11. Cuando el material alcance la punta de pulverización, pulverice en un área de prueba para verificar el patrón de pulverización.
12. Ajuste el patrón de pulverización al tamaño y atomización deseados.
 - a. Use la válvula de control de presión para controlar el flujo de pintura hacia la pistola.
 - b. Use el regulador de la presión de aire para controlar la cantidad de aire para la atomización disponible para la pistola.
 - c. Use la válvula de ajuste de patrón para afinar el patrón de pulverización.

NOTA: Consulte el Manual del propietario de la pistola pulverizadora para obtener mayor información sobre su operación.

Pintura en modo sin aire

Use el modo sin aire para pulverizaciones a alta presión en general (presión de la bomba desde 500 a 3300 PSI).

1. Asegúrese de que la manguera de pulverización sin aire no tenga torceduras y de que esté lejos de objetos cortantes.
2. Fíjese que la perilla de control de presión esté en la posición OFF en la zona blanco.
3. Gire la válvula PRIME/SPRAY a SPRAY.
4. Mueva el interruptor ON/OFF de la bomba a la posición ON.
5. Gire la válvula de control de presión en el sentido de las agujas del reloj al ajuste máximo. La manguera de pintura se debe endurecer en la medida que pase pintura a través de ella.
6. Desbloquee la gatillo de pistola.

7. Oprima el gatillo de la pistola pulverizadora para eliminar el aire que haya en la manguera del material.
8. Cuando el material alcance la punta de pulverización, pulverice en un área de prueba para verificar el patrón de pulverización.
9. Use el mínimo ajuste de presión que se necesite para obtener un buen patrón de pulverización. Si se ajusta demasiada presión, el patrón de pulverización será demasiado suave. Si se ajusta demasiada poca presión, aparecerán colas en la pulverización o la pintura salpicará en "esputos" en lugar de en una pulverización fina.

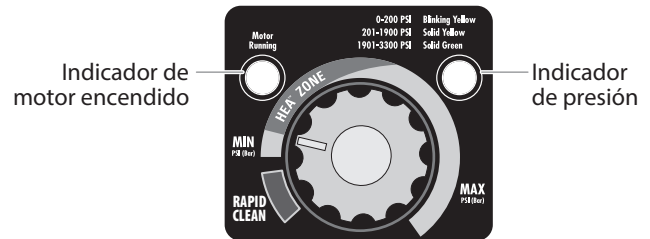
Buen patrón de rociado



Patrón con residuos de pintura

Indicadores de panel de control

A continuación se presenta una descripción de los indicadores de panel de control.



Indicador de presión

El indicador de presión muestra la actual presión de funcionamiento del rociador. Tiene tres indicaciones distintas: amarillo intermitente, amarillo fijo y verde fijo.

Amarillo intermitente

Cuando el indicador de presión está en amarillo intermitente, el rociador está funcionando entre 0 y 200 PSI. El indicador de presión amarillo intermitente significa que:

- El rociador está enchufado y en posición "ON"
- El rociador tiene presión de cebado (sin presión o con poca presión)
- Se puede cambiar de posición la válvula PRIME/SPRAY con seguridad
- Se puede cambiar o reemplazar la punta rociadora con seguridad (consulte las instrucciones para su reemplazo en el manual de la pistola)

NOTA: Si el indicador de presión comienza a parpadear en amarillo cuando la perilla de control de presión está ajustada a una mayor presión y la válvula PRIME/SPRAY está en posición SPRAY, ya sea la punta rociadora está desgastada, o hay una fuga, o bien el rociador necesita servicio o reparación.

Amarillo fijo

Cuando el indicador de presión está en amarillo fijo, el rociador está funcionando entre 200 y 1800 PSI. El indicador de presión amarillo fijo significa que:

- El rociador tiene un ajuste de presión adecuado para el rociado de tintes, lacas, barnices, y diversos colores
- Si el indicador de presión pasa a amarillo fijo cuando la presión está ajustada de tal manera que comienza en verde fijo, indica una de las siguientes cosas:
 - a. **Indicador de punta desgastada** — cuando se rocía con látex o a alta presión aparece el amarillo fijo. Esto significa que la punta está desgastada y se debe reemplazar.

- b. **Punta demasiado grande** — cuando se pone en la pistola una punta demasiado grande para el rociador, el indicador de presión pasará de verde fijo a amarillo fijo.
- c. **Sección de líquidos desgastada** — si aparece un indicador de presión amarillo fijo cuando se utiliza una punta nueva y la presión está ajustada al máximo, puede ser necesario darle servicio (empaquetaduras desgastadas, pistón desgastado, válvula atascada, etc.).

Verde fijo

Cuando el indicador de presión está en verde fijo, el rociador está funcionando entre 1800 y 3300 PSI. El indicador verde fijo significa:

- El rociador tiene el ajuste de presión adecuado para rociar pinturas a base de aceite o de látex
- El rociador está funcionando en su máximo rendimiento con un ajuste de alta presión

Indicador de motor en marcha

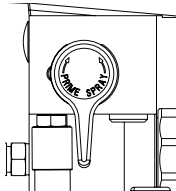
El indicador de motor en marcha está encendido cuando el motor ha recibido la orden de ponerse en marcha. Este indicador es utilizado por los centros de servicio para solucionar problemas de los motores.

Procedimiento para el alivio de la presión



No olvide seguir el procedimiento para alivio de la presión cuando pare el pulverizador por cualquier motivo, incluyendo labores de reparación, mantenimiento o ajuste de cualquier pieza del sistema pulverizador, sustitución o limpieza de boquillas o preparación para limpieza.

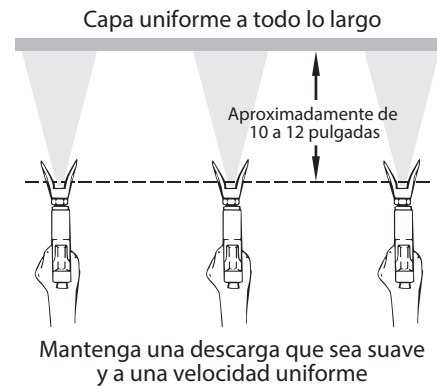
1. Fíjese que la perilla de control de presión esté en la posición OFF en la zona blanco.
2. Gire la válvula PRIME/SPRAY a la posición PRIME.
3. Oprima el gatillo de la pistola para retirar cualquier presión que todavía pueda quedar en la manguera.
4. Bloquee la pistola girando el seguro del gatillo hasta que quede en posición de bloqueo (consulte el manual de la pistola).



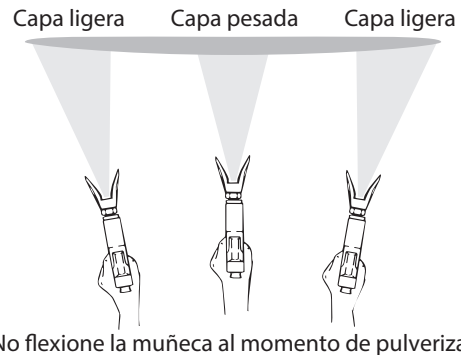
Peligro de inyección. No realice pulverizaciones sin haber instalado la protección de la punta. NUNCA oprima el gatillo de la pistola a menos que la punta se encuentre girada completamente a la posición para pulverizar o en aquella destrabada. SIEMPRE enganche el bloqueo del gatillo de la pistola antes de retirar, de reemplazar o de limpiar la punta.

Spraying Technique

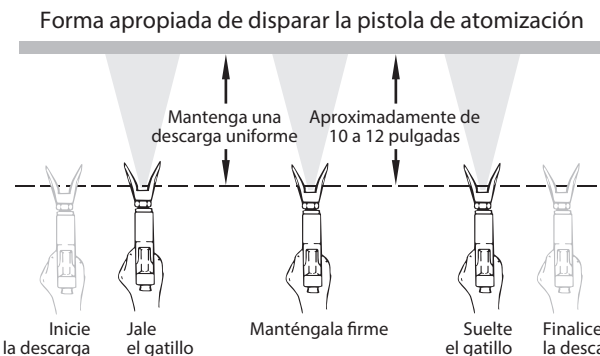
La clave de un buen trabajo de pintura es proporcionar una capa uniforme sobre la totalidad de la superficie. Esto se logra dando descargas uniformes. Mantenga el brazo en movimiento a una velocidad constante y mantenga la pistola pulverizadora a una distancia constante de la superficie. La mejor distancia para realizar pulverizaciones es de 10 a 12 pulgadas (de 25 a 30 cm) entre la punta de pulverización y la superficie.



Mantenga la pistola pulverizadora en ángulo recto respecto a la superficie. Esto quiere decir que debe mover hacia delante y hacia atrás el brazo completo en lugar de sólo flexionar la muñeca.



Mantenga la pistola pulverizadora perpendicular a la superficie, de otro modo un extremo del patrón será más grueso que el otro. Se debe oprimir el gatillo de la pistola pulverizadora encendiéndola y apagándola con cada descarga. Esto ahorrará pintura y evitará que ésta se acumule al final de la descarga. No oprima el gatillo de la pistola a la mitad de una descarga. Esto dará como resultado una pulverización desigual y una cobertura llena de manchones.



Sobreponga cada descarga en alrededor de un 30%. Esto garantizará una capa uniforme

Cuando pare de pintar, cierre el bloqueo del gatillo de la pistola, gire al válvula de control de presión de aire en contra del sentido de las agujas del reloj hasta su ajuste mínimo y ajuste el botón de cebado en PRIME. Gire el interruptor del motor hasta OFF y desenchufe la pulverizadora.

Limpieza



Instrucciones de limpieza especiales para usar con solventes inflamables:

- Siempre lave la pistola rociadora preferiblemente afuera y alejada por lo menos un largo de manguera de la bomba rociadora.
- Si recoge los solventes lavados en un recipiente metálico de un galón, colóquelo en un recipiente vacío de cinco galones, luego lave los solventes.
- El área debe estar libre de vapores inflamables.
- Siga todas las instrucciones de limpieza.

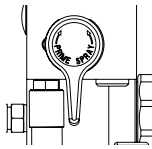
IMPORTANTE: Deben limpiarse el rociador, la manguera y la pistola totalmente después del uso diario. De lo contrario, se permite la acumulación de material, afectando seriamente el rendimiento de la unidad.



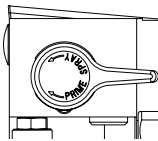
Siempre rocíe con la presión mínima y sin la boquilla de la pistola al utilizar alcoholes minerales u otros solventes para limpiar el rociador, la manguera o la pistola. La acumulación de electricidad estática puede producir un incendio o explosión en la presencia de vapores inflamables.

1. Siga el "Procedimiento de alivio de presión" de la sección Operación de este manual.
2. Retire la punta de la pistola y la protección y limpie con un cepillo usando el solvente adecuado.
3. Coloque el tubo de succión en un recipiente con el solvente apropiado. Los solventes apropiados son, por ejemplo, agua para pintura látex o alcoholes minerales para las pinturas a base de aceite.
4. Coloque la manguera de retorno en un recipiente metálico para desecho.
5. Mueva hacia abajo la válvula PRIME/SPRAY a su posición PRIME.

NOTA: Sujete el tubo de retorno en el contenedor de residuos al mover el PRIME / SPRAY válvula de PRIME en caso de que el pulverizador es presurizado.



6. Fije la presión en RAPID CLEAN girando la perilla de control de presión a su posición RAPID CLEAN.
7. Encienda la unidad moviendo el interruptor de ON/OFF a la posición ON.
8. Deje circular el solvente a través de la unidad y purgue la pintura de la manguera de retorno hacia el recipiente metálico para desecho.
9. Apague la unidad moviendo el interruptor de ON/OFF a la posición OFF.
10. Mueva hacia arriba la válvula PRIME/SPRAY a su posición SPRAY.
11. Encienda la unidad.



Conecte a tierra la pistola apoyándola contra el borde del recipiente de metal mientras elimina el líquido. De lo contrario puede provocar la descarga de electricidad estática, lo cual a su vez puede ocasionar un incendio.

12. Dispare la pistola en el recipiente metálico para desecho hasta que se haya purgado toda la pintura de la manguera y esté saliendo solvente de la pistola.
13. Continúe apretando el gatillo de la pistola rociadora en el recipiente de desecho hasta que el solvente que salga por la pistola esté sin pintura.

NOTA: Para el almacenamiento a largo plazo o en temperaturas frías, haga pasar alcoholes minerales a través del sistema completo.

14. Siga el "Procedimiento de alivio de presión" de la sección Operación de este manual.
15. Desenchufe la unidad y almacénela en un área limpia y seca.

IMPORTANTE: No almacene la unidad bajo presión.

Mantenimiento



Antes de proceder, siga el Procedimiento de alivio de presión presentado anteriormente en este manual. Además, siga todas las otras advertencias para reducir el riesgo de una lesión por inyección, lesiones por piezas en movimiento o choque eléctrico. ¡Siempre desenchufe el rociador antes de darle servicio!

Notas generales de reparación y servicio

Se necesitan las herramientas siguientes para reparar el rociador:

Destornillador Phillips	Llave hexagonal de 3/8 de pulgada
Alicates de punta	Llave hexagonal de 5/16 de pulgada
Llave ajustable	Llave hexagonal de 1/4 de pulgada
Mazo de goma	Llave hexagonal de 3/16 de pulgada
Destornillador de paleta	Llave hexagonal de 5/32 de pulgada
	Llave hexagonal de 5/64 de pulgada

1. Antes de reparar alguna parte del rociador, lea minuciosamente las instrucciones, incluidas todas las advertencias.

IMPORTANTE: Nunca tire del cable para desconectarlo. Al hacerlo podría soltarse el conector del cable.

2. Pruebe su reparación antes de usar rociador normalmente para verificar que se haya resuelto el problema. Si el rociador no funciona bien, revise el procedimiento de reparación para determinar si todo se ha realizado en forma correcta. Consulte los cuadros de Solución de problemas para ayudar a identificar otros problemas posibles.
3. Compruebe que el área de servicio esté bien ventilada en caso de que se estén utilizando solventes durante la limpieza. Al hacer el mantenimiento siempre use gafas de protección. Puede que se necesite equipo protector adicional dependiendo del tipo de solvente de limpieza. Siempre pida recomendaciones al proveedor de solventes.
4. Si tiene otras preguntas referentes al rociador Titan, llame a Titan:

Servicio al cliente (EE.UU.)..... **1-800-526-5362**

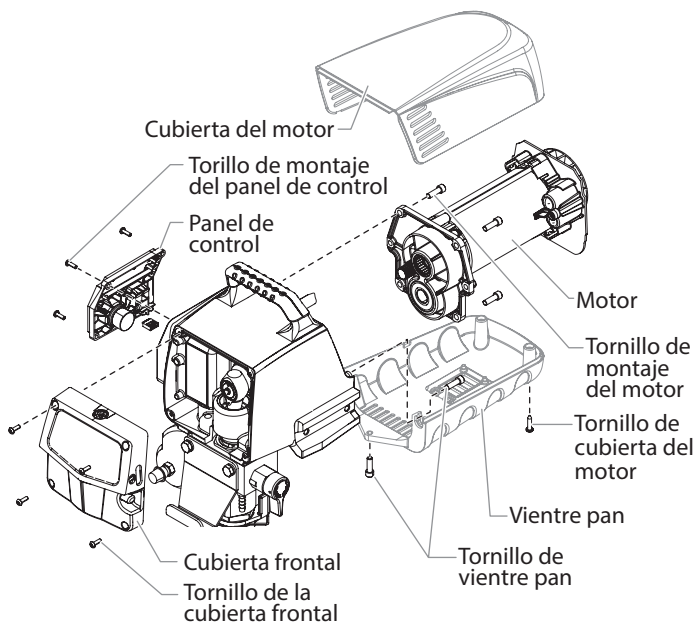
Reemplazo del motor

1. Siga el "Procedimiento de alivio de presión" y desenchufe la unidad.
2. Suelte y retire los dos tornillos de la cubierta del motor. Quite la cubierta del motor.
3. Suelte y retire los tres tornillos de la viente pan. Quite la viente pan.
4. En la parte posterior del motor, desconecte el alambre proveniente del potenciómetro el alambre procedente de los transductores. Desconecte los dos alambres procedentes de la placa del panel de control. (consulte el esquema eléctrico en la sección de la Lista de piezas de este manual).
5. Retire los cuatro tornillos de montaje del panel de control. Retire el panel de control para el acceso al panel de control bordo.
6. En el panel de control bordo, desconecte los dos alambres procedentes del motor. (consulte el esquema eléctrico en la sección de la Lista de piezas de este manual).
7. Suelte y retire los cuatro tornillos de montaje del motor..
8. Extraiga el motor de la caja de la bomba.

NOTA: Si el motor no se libera de la caja de la bomba:

- Retire la placa de cubierta frontal.
- Usando un mazo de goma, golpee cuidadosamente en la parte frontal del cigüeñal del motor que se extiende a través de la vara conectora.

9. Una vez retirado el motor, inspeccione para ver si hay daños o desgaste excesivo de los engranajes en la caja de la bomba. Si es necesario reemplace los engranajes.
10. Instale el motor nuevo en la caja de la bomba.
11. Asegure el motor con sus cuatro tornillos de montaje.
12. Vuelva a conectar los alambres (consulte el esquema eléctrico en la sección de la Lista de piezas de este manual).
13. Coloque el panel de control de la bomba de vivienda y seguro en la posición con los cuatro tornillos de montaje del panel de control.
14. Instale la viente pan. Asegure la viente pan con los tres tornillos correspondientes.
15. Coloque la cubierta del motor. Asegure la cubierta del motor con los dos tornillos correspondientes.



Reemplazo de los engranajes

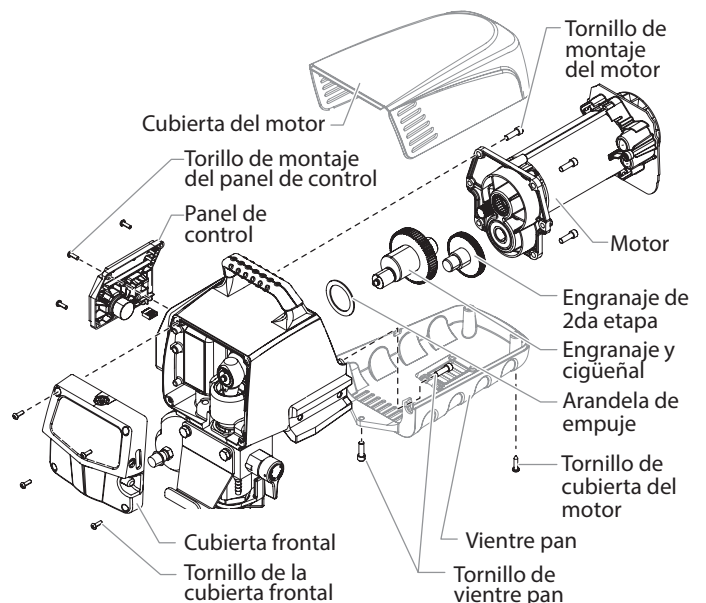
1. Siga el "Procedimiento de alivio de presión" y desenchufe la unidad.
2. Suelte y retire los dos tornillos de la cubierta del motor. Quite la cubierta del motor.
3. Suelte y retire los tres tornillos de la viente pan. Quite la viente pan.
4. En la parte posterior del motor, desconecte el alambre proveniente del potenciómetro el alambre procedente de los transductores. Desconecte los dos alambres procedentes de la placa del panel de control. (consulte el esquema eléctrico en la sección de la Lista de piezas de este manual).
5. Retire los cuatro tornillos de montaje del panel de control. Retire el panel de control para el acceso al panel de control bordo.
6. En el panel de control bordo, desconecte los dos alambres procedentes del motor. (consulte el esquema eléctrico en la sección de la Lista de piezas de este manual).
7. Suelte y retire los cuatro tornillos de montaje del motor..
8. Extraiga el motor de la caja de la bomba.

NOTA: Si el motor no se libera de la caja de la bomba:

- Retire la placa de cubierta frontal.
- Usando un mazo de goma, golpee cuidadosamente en la parte frontal del cigüeñal del motor que se extiende a través de la vara conectora.

9. Inspeccione para ver si hay daños o desgaste excesivo en el engranaje del inducido en el extremo del motor. Si este engranaje está completamente desgastado, reemplace el motor completo.
10. Retire e inspeccione para ver si hay daños o desgaste excesivo en el engranaje de la 2da etapa. Reemplace según sea necesario.
11. Retire e inspeccione para ver si hay daños o desgaste excesivo en el ensamblaje de engranaje y cigüeñal. Reemplace según sea necesario.
12. Vuelva a ensamblar la bomba invirtiendo los pasos anteriores. Durante el reensamblaje, fíjese que las arandelas de empuje estén en su lugar.

NOTA: Llene la caja de engranajes con cinco onzas de Lubriplate (N/P 314-171).



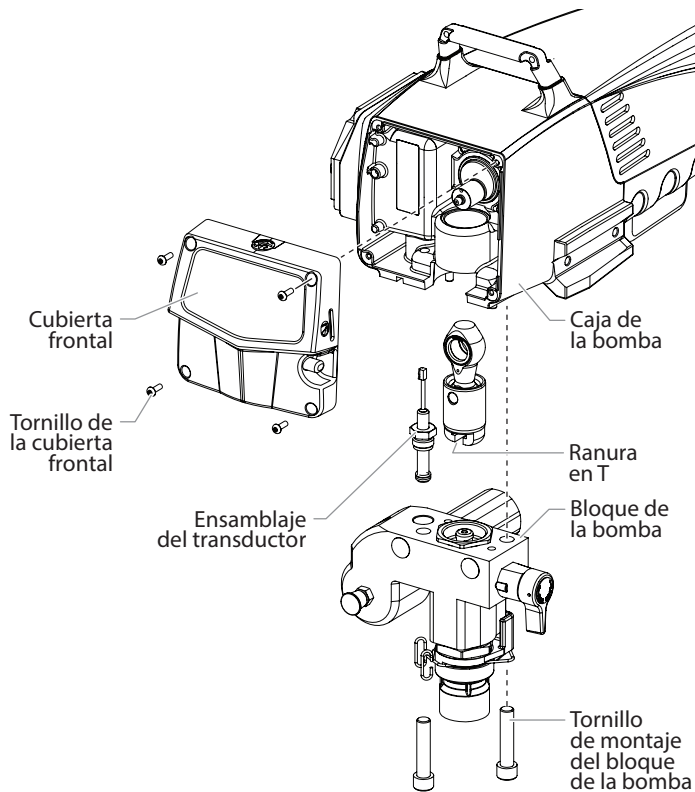
Reemplazo del transductor

1. Suelte y retire los cuatro tornillos de la cubierta frontal. Desmonte la cubierta delantera.
2. Detenga el rociador en la parte de abajo de la carrera de tal modo que el pistón esté en su posición más baja.
3. Siga el "Procedimiento de alivio de presión" y desenchufe la unidad.



Antes de proceder, siga el Procedimiento de alivio de presión presentado anteriormente en este manual. Además, siga todas las otras advertencias para reducir el riesgo de una lesión por inyección, lesiones por piezas en movimiento o choque eléctrico. ¡Siempre desenchufe el rociador antes de darle servicio!

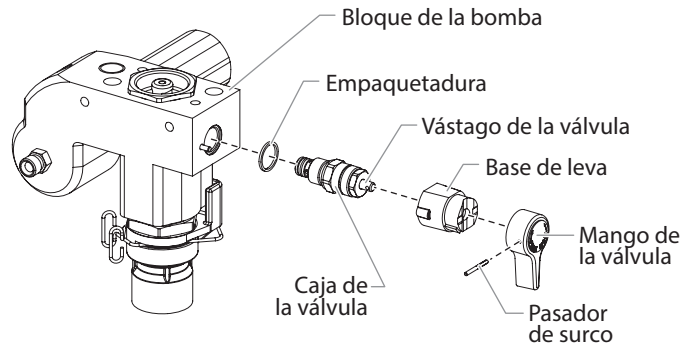
4. Inclíne la bomba hacia atrás para ingresar más fácilmente a la sección de líquido.
5. Usando una llave hexagonal de 3/8 de pulgada, suelte y retire los dos tornillos de montaje del bloque de la bomba.
6. Baje el bloque de la bomba aproximadamente 1/2 pulgadas de la caja de la bomba para dejar paso al transductor.
7. Deslice el bloque de la bomba y la vara del pistón hacia adelante hasta que la vara del pistón quede fuera de la ranura en T de la vara conectora.
8. Con cuidado, tire del transductor de alambre de la caja de la bomba hasta la conexión con el transductor puente está expuesto. Desconecte el alambre de los transductores de puente. (consulte el esquema eléctrico en la sección de la Lista de piezas de este manual).
9. Utilizando una llave inglesa, quite el transductor montaje de la caja de la bomba.
10. Inserte de la nueva asamblea transductor en el bloque de la bomba. Apriete con una llave.
11. Enchufe el alambre de nuevo transductor en transductor en el puente. (consulte el esquema eléctrico en la sección de la Lista de piezas de este manual).
12. Vuelva a ensamblar la bomba invirtiendo los pasos del 1 al 7.



Reemplazo de la válvula de PRIME/SPRAY

Usando el juego de reemplazo de la válvula PRIME/SPRAY N/P 700-258 realice el procedimiento a continuación.

1. Empuje el pasador de surco fuera del mango de la válvula.
2. Retire el mango de la válvula y la base de leva.
3. Con una llave, suelte y retire la caja de la válvula.
4. Fíjese que la empaquetadura esté en su sitio y atornille la caja de la válvula nueva en el bloque de la bomba. Apriete firmemente con la llave.
5. Coloque la base de leva sobre el ensamblaje de la caja de la válvula. Lubrique la base de leva con grasa y alinee la leva con el bloque de la bomba.
6. Alinee el agujero del vástago de la válvula con el agujero del mango de la válvula.
7. Inserte el pasador de surco en el mango de la válvula y a través del vástago de la válvula para asegurar el mango de la misma en posición.



Servicio a la sección de líquidos

Use los procedimientos siguientes para dar servicio a las válvulas y volver a poner empaquetaduras en la sección de líquidos. Realice los pasos a continuación antes de ejecutar todo mantenimiento en la sección de líquido.

1. Suelte y retire los cuatro tornillos de la cubierta frontal. Desmonte la cubierta delantera.
2. Detenga el rociador en la parte de abajo de la carrera de tal modo que el pistón esté en su posición más baja.
3. Siga el "Procedimiento de alivio de presión" y desenchufe la unidad.



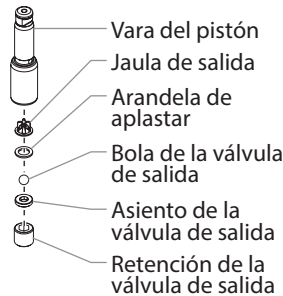
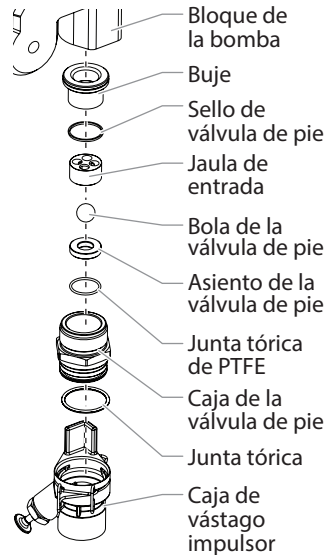
Antes de proceder, siga el Procedimiento de alivio de presión presentado anteriormente en este manual. Además, siga todas las otras advertencias para reducir el riesgo de una lesión por inyección, lesiones por piezas en movimiento o choque eléctrico. ¡Siempre desenchufe el rociador antes de darle servicio!

4. Destornille el ensamblaje de la manguera de retorno del bloque de la bomba. Retire el soporte de retención que sostiene el juego de succión en la válvula de pie. Extraiga el juego de succión de la válvula de pie.
5. Inclíne la bomba hacia atrás para ingresar más fácilmente a la sección de líquido.

Servicio a las válvulas

El diseño de la sección de líquido de Titan permite el acceso a la válvula de pie y su asiento así como también a la válvula de salida y su asiento sin necesidad de desmontar completamente la sección de líquido. Es posible que las válvulas no se asienten correctamente debido a residuos atrapados en el asiento de la válvula de pie o en la válvula de salida. Use las instrucciones a continuación para limpiar las válvulas e invertir o reemplazar los asientos.

1. Retire el sujetador de vástago impulsor y deslice la caja de vástago impulsor de la caja de la válvula de pie.
2. Con una llave, suelte y retire la caja de la válvula de pie del bloque de la bomba.
3. Limpie todo residuo de la caja de la válvula de pie y examine la caja y el asiento de la misma. Si el asiento está dañado, invértalo o reemplácelo.
4. Usando una llave hexagonal de 5/16 de pulgada, suelte y retire la caja de la válvula de salida desde la vara del pistón.



NOTA: Siempre dé servicio a la válvula de salida con la vara del pistón conectada a la bomba. Esto evitará que gire la vara del pistón durante el desmontaje de la válvula de salida.

5. Limpie los residuos y examine la caja de la válvula y el asiento. Si el asiento está dañado, invértalo o reemplácelo.
6. Retire, limpie e inspeccione la jaula de salida y la bola de la válvula de salida. Reemplácelas si están gastadas o dañadas.

NOTA: La jaula de salida siempre se deben arandela de aplastar. Se incluyen en el montaje P/N 704-642.

7. Vuelva a montar las válvulas invirtiendo los pasos anteriores.

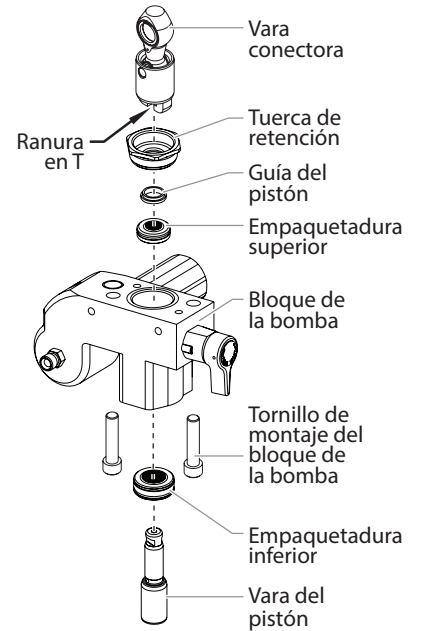
NOTA: Durante el reensamblaje de la válvula de salida, Aplicar una gota de Loctite (incluido en el kit de reemalaje) a los hilos de la toma de corriente antes de la válvula de retención de vara el pistón. Par el retenedor a 144 in./lbs. (12 ft./lbs.).

Reemplazo de empaquetaduras de la sección de líquidos

1. Quite los ensamblaje de la válvula de pie usando los pasos del procedimiento "Servicio de las válvulas" anterior

NOTA: La válvula de salida no tiene que ser desmontadas del vástago para este procedimiento.

2. Usando una llave hexagonal de 3/8 de pulgada, suelte y retire los dos tornillos de montaje del bloque de la bomba.
3. Baje el bloque de la bomba aproximadamente 1/2 pulgadas de la caja de la bomba.
4. Deslice el bloque de la bomba y la vara del pistón hacia adelante hasta que la vara del pistón quede fuera de la ranura en T de la vara conectora.
5. Deslice la vara del pistón a través de la parte inferior del bloque de la bomba.
6. Suelte y quite la tuerca de retención y la guía del pistón del bloque de la bomba.

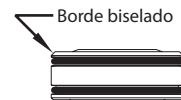


7. Retire las empaquetaduras superior e inferior del bloque de la bomba.
8. Limpie el bloque de la bomba e instale las empaquetaduras nuevas superior e inferior. Consulte la ilustración a continuación para ver la orientación correcta de las empaquetaduras.

Instale la empaquetadura superior con el borde levantado y la junta tórica apuntando hacia abajo.



Instale la empaquetadura inferior con borde biselado hacia arriba.



9. Inspeccione la vara del pistón en busca de desgaste y cámbiela si es necesario.
10. Vuelva a montar el ensamblaje de la válvula de salida en la vara del pistón. Apriete la caja de la válvula de salida con una llave hasta que quede firme.

NOTA: Use la ranura en T de la vara conectora para sostener en su sitio la vara del pistón mientras asegura la caja de la válvula de salida.

IMPORTANTE: Nunca use una llave en el pistón mismo. Esto podría dañar el pistón y causar fugas.

11. Inserte la guía del pistón en la tuerca de retención. Atornille la tuerca de retención en el bloque de la bomba hasta que quede firme manualmente.
12. Deslice la herramienta de la guía del pistón (incluida en el juego para reemplazar empaquetaduras) sobre la parte superior de la vara del pistón a través de la parte inferior del bloque de la bomba. Usando un mazo de goma, golpee la parte inferior de la vara del pistón ligeramente hasta que ésta quede en posición dentro del bloque de la bomba.

NOTA: Recubra la herramienta de la guía del pistón y la vara del pistón con grasa antes de insertarlas en el bloque de la bomba.

13. Usando una llave, apriete la tuerca de retención firmemente.
14. Deslice la parte superior de la vara del pistón dentro de la ranura en T en la vara conectora.
15. Ponga el bloque de la bomba debajo de la caja de la bomba y empújelo hacia arriba hasta que descansa contra la caja de la bomba.
16. Instale los tornillos de montaje del bloque de la bomba a través del bloque de la bomba y dentro de la caja de la bomba. Apriete firmemente.
17. Vuelva a montar el ensamblaje de la válvula de pie en el bloque de la bomba.
18. Rosque el conjunto de tubo del sifón en la válvula de retención y apriételo firmemente. Asegúrese de envolver las roscas del adaptador del tubo descendente/tubo del sifón con cinta de PTFE antes de ensamblarlas. Vuelva a colocar la manguera de retorno en la abrazadera del tubo de sifón.
19. Ponga la cubierta frontal de la caja de la bomba y asegúrela en posición usando los cuatro tornillos de la cubierta frontal.
20. Encienda el rociador siguiendo el procedimiento de la sección "Operación" de este manual y revise si hay fugas.

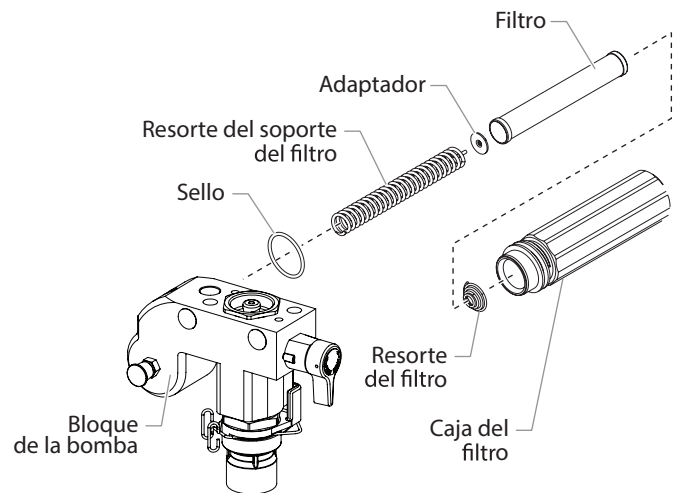
NOTA: Se ofrece el juego para reemplazar empaquetaduras N/P 704-586. Para obtener óptimos resultados use todas las piezas suministradas en este juego.

Reemplazo de los filtros

Filtro de la bomba

1. Suelte y retire la caja del filtro.
2. Quite el filtro del resorte del soporte del filtro.
3. Inspeccione el filtro. Según sea la inspección, limpie o reemplace el filtro.
4. Inspeccione el sello. Según sea la inspección, limpie o reemplace el sello.
5. Deslice el nuevo filtro o limpiar el filtro de apoyo durante la primavera con el adaptador en su lugar. Empuje el filtro en el centro del bloque de la bomba.
6. Deslice la caja del filtro sobre el filtro y atorníllela en el bloque de la bomba hasta que quede firme.

NOTA: El filtro debe ser más estricto a mano, pero asegúrese de que el caje del filtro es de asientos plenamente en el bloque de la bomba.



Solución de problemas

Problema

A. No funciona la unidad.

Causa

1. La unidad no está enchufada.
2. Disyuntor disparado.
3. Ajuste de presión demasiado bajo (la perilla de control de presión en su ajuste mínimo no suministra energía a la unidad).
4. Conexiones defectuosas o sueltas.
5. Temperatura excesiva del motor
6. Interruptor ON/OFF defectuoso.

Solución

1. Enchufe la unidad.
2. Reajuste el disyuntor.
3. Gire la perilla de control de presión en la dirección de las agujas del reloj para suministrar energía a la unidad y aumentar el ajuste de presión.
4. Inspeccione o lleve a un centro de servicio autorizado por Titan.
5. Deje que el motor se enfríe.
6. Reemplace el interruptor ON/OFF.

B. No se ceba la unidad.

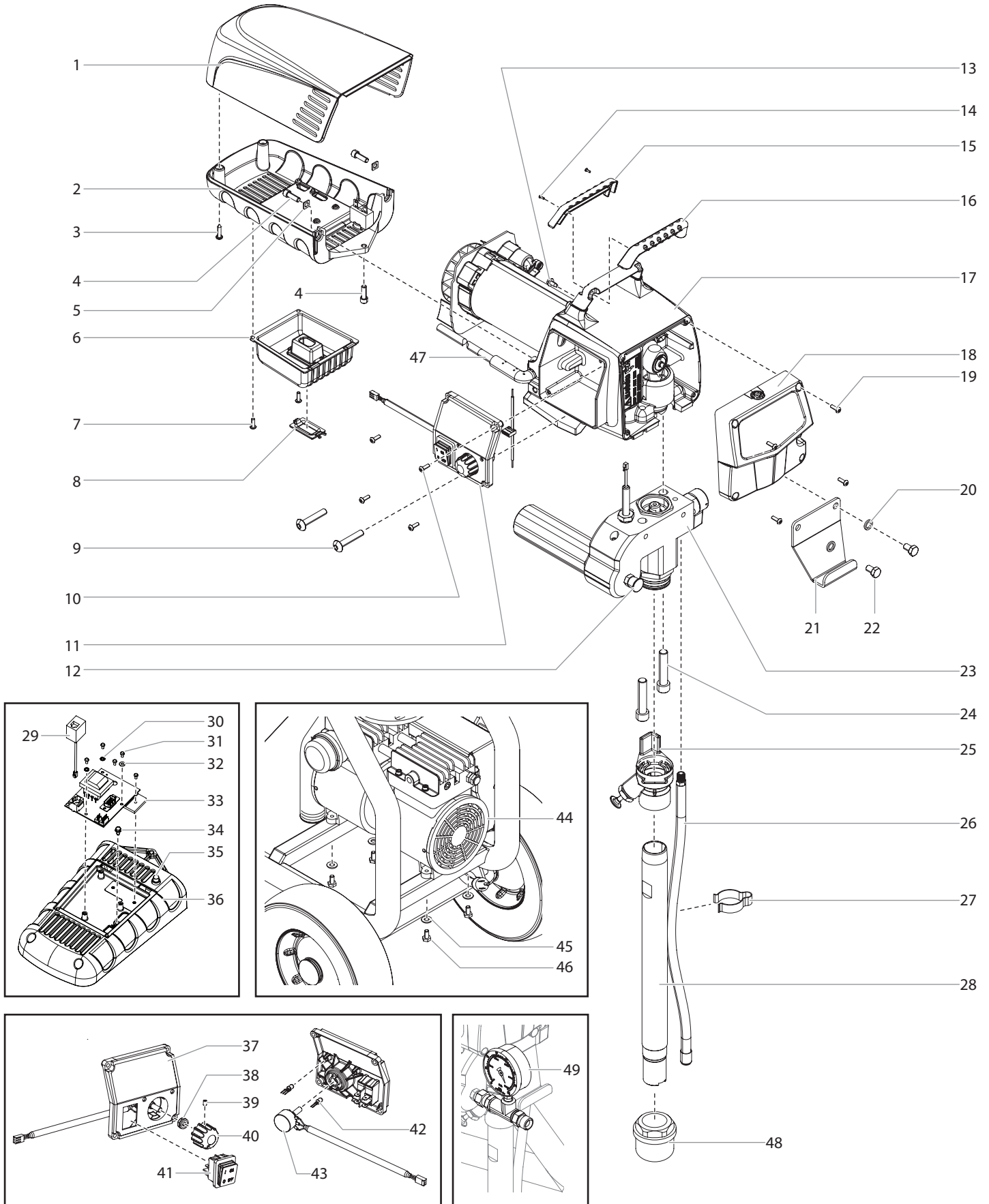
1. La válvula PRIME/SPRAY está en la posición SPRAY.
2. Fuga de aire en el tubo de sifón/juego de succión.
3. El filtro de bomba y/o la malla de entrada está obstruido.
4. El tubo de sifón/juego de succión está obstruido.

1. Gire la válvula PRIME/SPRAY en la dirección de las agujas del reloj hasta la posición PRIME.
2. Compruebe la conexión del tubo de sifón/juego de succión y apriete o vuelva a asegurar la conexión con cinta PTFE.
3. Quite el elemento del filtro de bomba y límpielo. Quite la malla de entrada y límpiela.
4. Quite el tubo de sifón/juego de succión y límpielo.

Solución de problemas

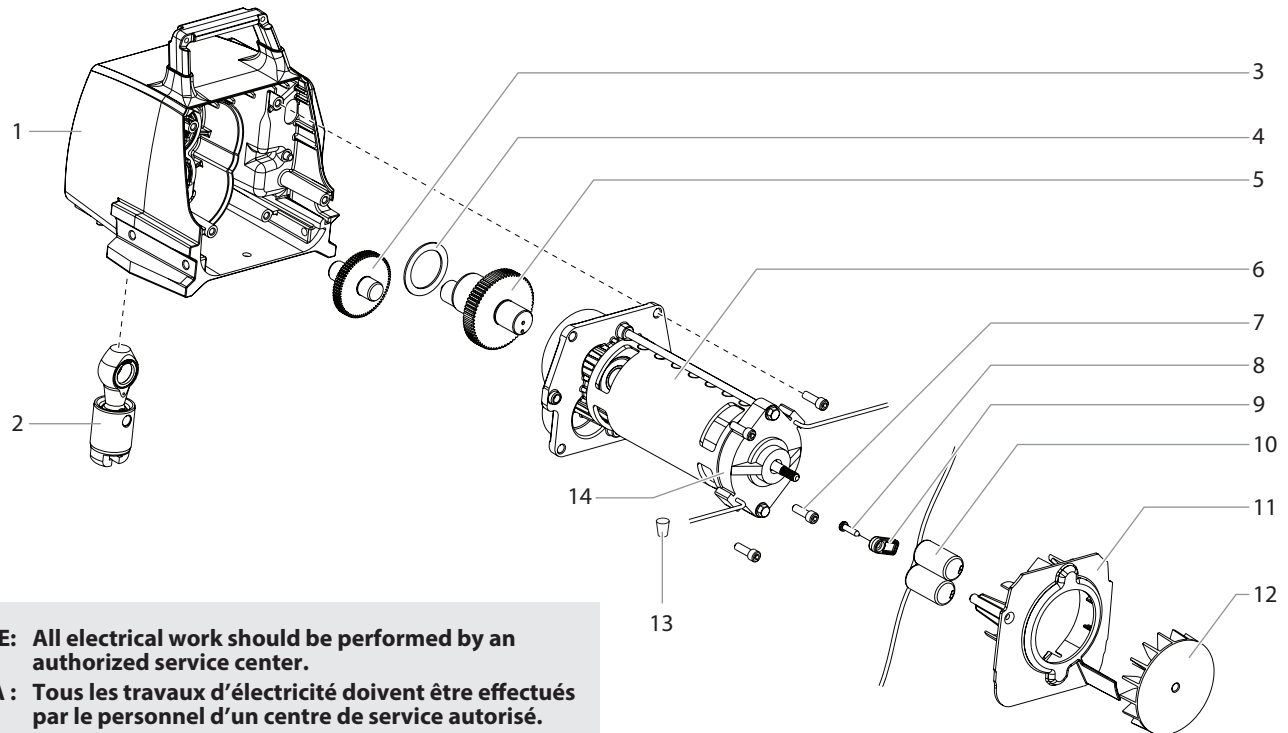
Problema	Causa	Solución
C. La unidad no crea presión ni la mantiene.	<ol style="list-style-type: none"> 1. La punta rociadora está desgastada. 2. La punta rociadora es demasiado grande. 3. La perilla de control de presión no está debidamente ajustada. 4. El filtro de bomba, el filtro de la pistola o la malla de entrada están obstruidos. 5. El material fluye desde la manguera de retorno cuando la válvula PRIME/SPRAY está en la posición SPRAY. 6. Fuga de aire en el tubo de sifón/juego de succión. 7. Existe una fuga de fluido externa. 8. Existe una fuga en la sección de líquidos interna (las empaquetaduras están desgastadas o sucias, las bolas de las válvulas están desgastadas). 9. Los asientos de las válvulas están desgastados 10. El motor tiene alimentación pero no gira. 	<ol style="list-style-type: none"> 1. Quite la punta rociadora siguiendo las instrucciones suministradas con la pistola rociadora. 2. Reemplace la punta rociadora por una punta que tenga un orificio más pequeño siguiendo las instrucciones suministradas con la pistola rociadora. 3. Gire la perilla de control de presión en la dirección de las agujas del reloj para incrementar el ajuste de presión. 4. Quite el elemento del filtro de bomba y límpielo. Quite el filtro de la pistola y límpielo. Quite la malla de entrada y límpiela. 5. Limpie o reemplace la válvula PRIME/SPRAY. 6. Compruebe la conexión del tubo de sifón/juego de succión y apriete o vuelva a asegurar la conexión con cinta PTFE. 7. Compruebe todas las conexiones en busca de fugas externas. Apriete las conexiones, si fuese necesario. 8. Limpie las válvulas y de servicio a la sección de líquidos siguiendo el procedimiento de "Servicio a la sección de líquidos" de la sección de Mantenimiento de este manual. 9. Invierta o reemplace los asientos de las válvulas siguiendo el procedimiento de "Servicio a la sección de líquidos" de la sección de Mantenimiento de este manual. 10. Lleve la unidad a un centro de servicio autorizado por Titan.
D. Fuga de fluido en el extremo superior de la sección de líquidos.	<ol style="list-style-type: none"> 1. Las empaquetaduras superiores están desgastadas. 2. La vara del pistón está desgastada. 	<ol style="list-style-type: none"> 1. Vuelva a poner las empaquetaduras siguiendo el procedimiento de "Servicio a la sección de líquidos" de la sección de Mantenimiento de este manual. 2. Reemplace el vástago del pistón siguiendo el procedimiento de "Servicio a la sección de líquidos" de la sección de Mantenimiento de este manual.
E. Presión excesiva en la pistola del rociador.	<ol style="list-style-type: none"> 1. El tipo de manguera rociadora sin aire es erróneo. 2. La punta rociadora está desgastada o es demasiado grande. 3. Presión excesiva. 	<ol style="list-style-type: none"> 1. Reemplace la manguera por una manguera rociadora sin aire con trenzado textil conectada a tierra de 1/4" con un largo mínimo de 50 pies (15 metros). 2. Reemplace la punta rociadora siguiendo las instrucciones suministradas con la pistola rociadora. 3. Gire la perilla de control de presión en el sentido contrario a las agujas del reloj para reducir la presión de rociado.
F. Patrón de atomización deficiente.	<ol style="list-style-type: none"> 1. La punta rociadora es demasiado grande para el material que se está utilizando. 2. Ajuste de presión incorrecto. 3. Paso de líquido insuficiente. 4. El material que se está rociando es demasiado viscoso. 	<ol style="list-style-type: none"> 1. Reemplace la punta rociadora con una punta rociadora nueva o más pequeña siguiendo las instrucciones suministradas con la pistola rociadora. 2. Gire la perilla de control de presión para ajustar la presión para obtener un patrón de rociado adecuado. 3. Limpie todas las mallas y filtros. 4. Añada solvente al material de acuerdo con las recomendaciones del fabricante.
G. La unidad no tiene alimentación.	<ol style="list-style-type: none"> 1. El ajuste de la presión es demasiado bajo. 2. Suministro de tensión inadecuado. 	<ol style="list-style-type: none"> 1. Gire la perilla de control de presión en el sentido de las agujas del reloj para aumentar el ajuste de presión. 2. Vuelva a conectar la tensión de entrada para 120V AC.
H. El compresor no arranca.	<ol style="list-style-type: none"> 1. El interruptor ON/OFF del compresor está en la posición OFF. 2. El interruptor ON/OFF del compresor está malo. 3. Problema del compresor. 4. Disyuntor disparado. 5. Bloqueado o defectuosa de alivio de presión válvula solenoide no para aliviar la presión. 	<ol style="list-style-type: none"> 1. Mueva el interruptor ON/OFF del compresor a la posición ON. 2. Lleve la unidad a un Centro de servicio técnico autorizado de Titan. 3. Lleve la unidad a un Centro de servicio técnico autorizado de Titan. 4. Reajuste el disyuntor. 5. Limpie el orificio de descarga.
I. El compresor arranca pero no con el aire suficiente.	<ol style="list-style-type: none"> 1. El ajuste del regulador de aire es demasiado bajo. 2. La pintura es demasiado espesa. 3. La válvula de aire en la pistola está cerrada. 4. La válvula de seguridad está mala. 	<ol style="list-style-type: none"> 1. Aumente el ajuste del regulador de aire. 2. Diluya la pintura. 3. Abra la válvula de aire de la pistola. Consulte el Manual del propietario de la pistola. 4. Instale una nueva válvula de seguridad.

Parts List • Liste de pièces • Lista de piezas
Main Assembly • Vue d'ensemble • Ensamblaje principal



#	Part No. N° de pièce Pieza No.	English Description	Français Description	Español Descripción	Qty. Qté. Cant.
1	805-602	Motor cover	Carter du moteur	Cubierta del motor	1
2	805-232	Belly pan assembly (includes items 29-36)	Ensemble de ventre pan (comprend les articles 29-36)	Ensamblaje de vientre pan (incluye artículos 17-22)	1
3	9802266	Belly pan screw	Vis de ventre pan	Tornillo de vientre pan	2
4	9800319	Screw	Vis	Tornillo	3
5	9822627	Washer	Rondelle	Arandela	2
6	805-399A	Dust cover	Housse anti-poussière	Protección contra el polvo	1
7	700-139	Dust cover screw	Vis de housse anti-poussière	Tornillo de protección contra el polvo	2
8	805-403	Trap door	Porte	Puerta	1
9	9805348	Screw	Vis	Tornillo	4
10	700-139	Control panel screw	Vis de panneau de contrôle	Tornillo de panel de control	4
11	805-211A	Control panel assembly, complete includes items 37-42)	Ensemble de panneau de contrôle, complète (comprend les articles 37-42)	Ensamblaje de panel de control, completa (incluye artículos 37-42)	1
12	0088183	Cap	Capuchon	Tapa	1
13	9800340	Ground screw	Vis à terre	Tornillo de tierra	1
14	9805317	Screw	Vis	Tornillo	2
15	805-332	Handle cover, back	Couvre-poignée, dos	Cubierta de la manilla, posterior	1
16	805-333	Handle cover, front	Couvre-poignée, face	Cubierta de la manilla, delantera	1
17	805-205A	Drive housing	Logement de engrenages	Caja de engranajes	1
18	805-215A	Face plate / oiler assembly	Ensemble de couvercle / graisseur	Ensamblaje de cubierta frontal / lubricador	1
19	700-139	Face plate screw	Vis de couvercle	Tornillo de la cubierta frontal	4
20	763-552	Washer	Rondelle	Arandela	2
21	704-304	Pail bracket	Support de seau	Soporte de cubo	1
22	710-033	Pail bracket bolt	Boulon de support de seau	Perno del soporte de cubo	2
23	805-626A	Fluid section assembly	Ensemble de section des liquides	Ensamblaje de sección de líquidos	1
24	704-117	Fluid section screw	Vis de section des liquides	Tornillo de sección de líquidos	2
25	805-234A	Pusher assembly	Ensemble de poussoir	Ensamblaje de vátago impulsor	1
26	702-239	Return tube	Tube de retour	Tubo de retorno	1
27	730-334	Clip	Agrafe	Sujetador	1
28	805-408	Siphon tube	Tube d'aspiration	Tubo de succión	1
29	704-548	Transducer jumper	Transducteur de cavalier	Transductor puente	1
30	9822624	Washer	Rondelle	Arandela	2
31	9800607	Screw	Vis	Tornillo	5
32	54054	Washer	Rondelle	Arandela	3
33	805-402A	PC board assembly	PC assemblage de cartes	PC bordo de la asamblea	1
34	9800340	Ground screw	Vis à terre	Tornillo de tierra	1
35	704-211A	Circuit breaker	Disjoncteur	Disyuntor	1
36	805-398A	Belly pan	Ventre pan	Vientre pan	1
37	805-306	Control panel cover	Couvercle de panneau de contrôle	Tapa de panel de control	1
38	700-176	Nut with seal	Écrou avec joint	Tuerca con sello	1
39	704-598	Set screw	Vis	Tornillo	1
40	805-354	Control knob	Bouton de contrôle	Botón de control	1
41	9850936	Switch	Interrupteur	Interruptor	1
42	0522007	LED assembly	Ensemble de LED	Ensamblaje de LED	1
43	800-094A	Potentiometer	Potentiomètre	Potenciómetro	1
44	0524543A	Compressor	Compresseur	Compresor	1
45	858-001	Washer	Rondelle	Arandela	4
46	858-625	Screw	Vis	Tornillo	4
47	0524565	Power cord assembly	Ensemble de cordon d'alimentation	Ensamblaje de cable de alimentación	1
48	5006536	Inlet filter	Filtre d'entrée	Filtro de entrada	11
49	0508239	Pressure gauge	Manomètre	Manómetro	1

Drive Assembly • Boîte d'engrenages • Ensamblaje de la caja de engranajes



NOTE: All electrical work should be performed by an authorized service center.

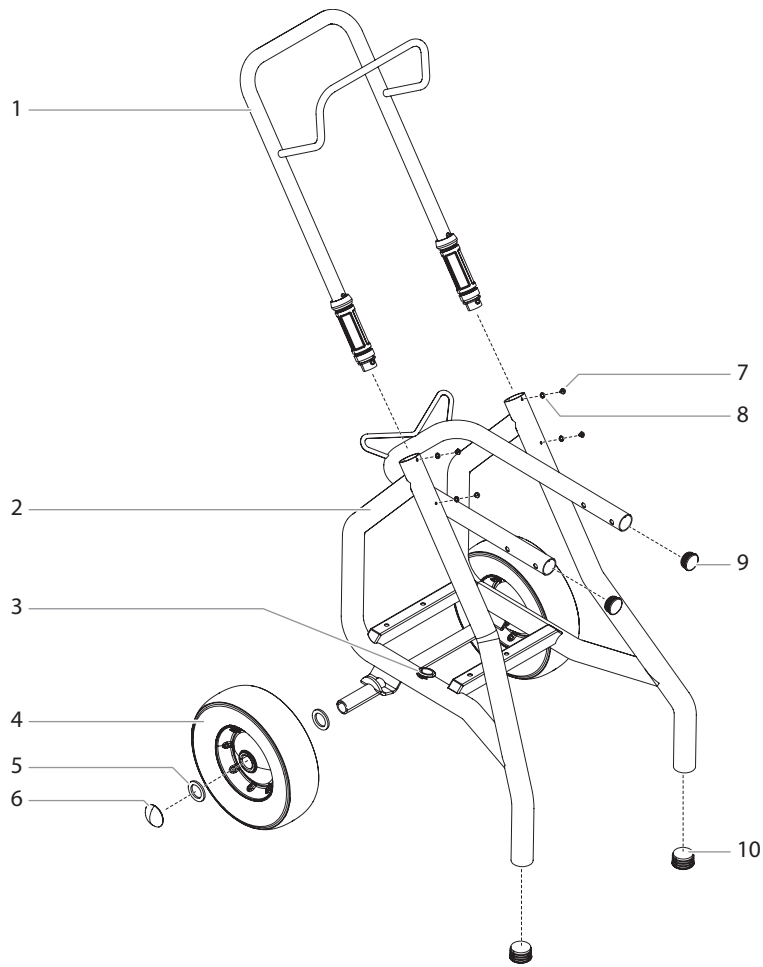
NOTA : Tous les travaux d'électricité doivent être effectués par le personnel d'un centre de service autorisé.

NOTA: Todo trabajo eléctrico debe realizarlo un centro de servicio autorizado.

#	Part No. N° de pièce Pieza No.	English Description	Français Description	Español Descripción	Qty. Qté. Cant.
1	805-204A	Housing assembly	Logement de la pompe	Caja de la bomba	1
2	0508208	Slider assembly	Bielle	Vara conectora	1
3	704-176	2nd stage gear	Second embragage	Engranaje de 2da etapa	1
4	704-174	Thrust washer	Rondelle de butée	Arandela de empuje	1
5	704-173A	Crankshaft / gear assembly	Ensemble vilebrequin/engrenages	Ensamblaje cigüeñal/engranaje	1
6	0558373A	Motor kit (includes items 6, 8-13)	Trousse de motor (comprend articles 6, 8-13)	Juego del motor (incluye artículos 6, 8-13)	1
7	9800319	Screw	Vis	Tornillo	4
8	9802266	Screw	Vis	Tornillo	1
9	805-400	Capacitor baffle restraint	Condensateur chicane de retenue	Condensador separador de moderación	1
10	0522018	Capacitor assembly, 250V	Ensemble condensateur, 250V	Paquete de condensador, 250V	1
11	805-352	Motor baffle	Joint d'étanchéité	Empaquetadura	1
12	0512340	Fan	Ventilateur de moteur	Ventilador del motor	1
13	0516360	Wire nuts	Écrou de fil	Alambre de tuerca	2
14	805-272	Motor Brush kit (includes item 13)	Trousse de brosse de moteur (comprend article 13)	Juego de cepillo de motor (incluye artículo 13)	1

Cart Assembly • Ensemble de chariot • Ensamblaje de carro

(P/N 0524259)



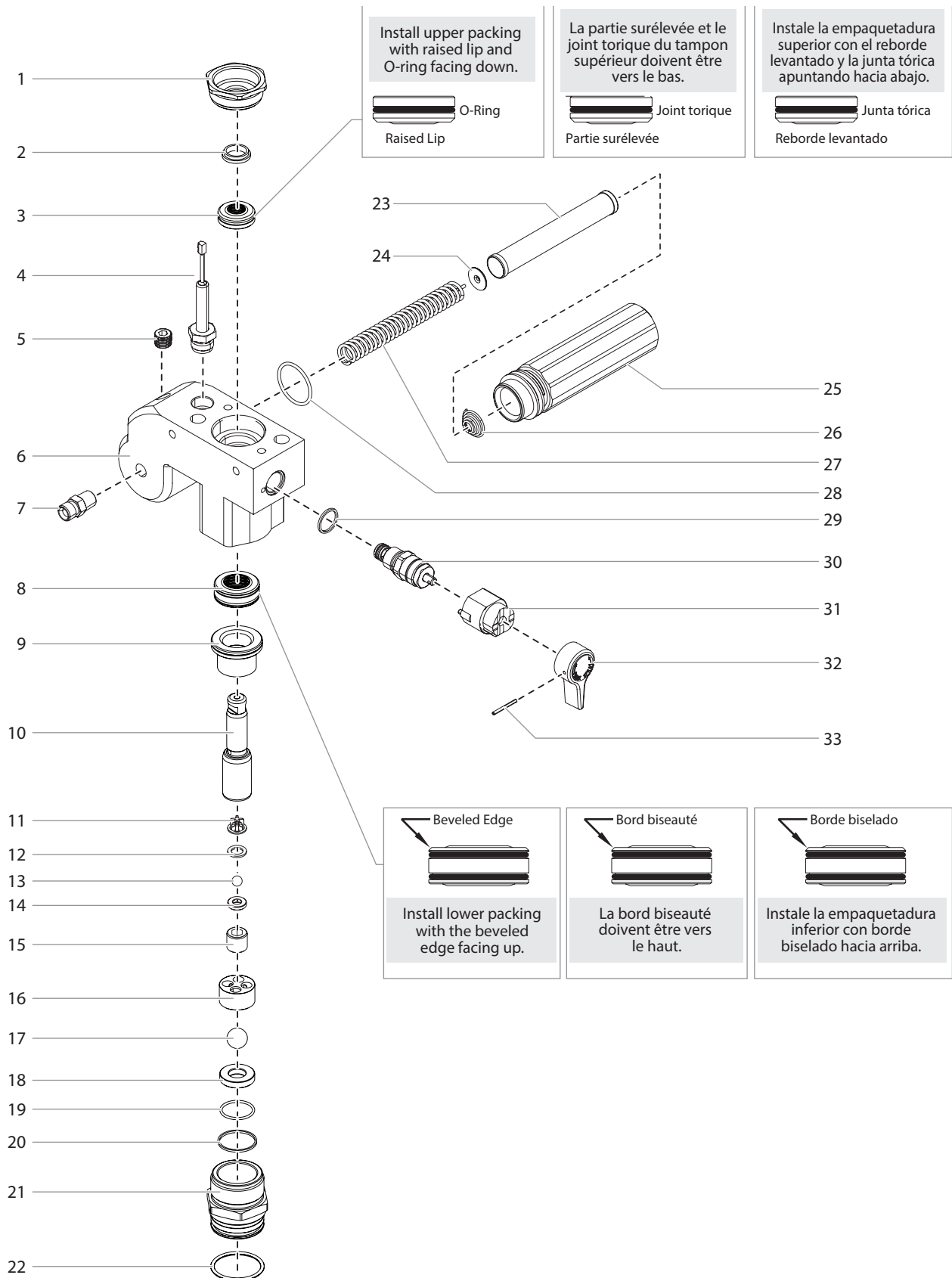
#	Part No. N° de pièce Pieza No.	English Description	Français Description	Español Descripción	Qty. Qté. Cant.
1	805-279	Handle	Poignée	Mango	1
2	0524262	Cart	Chariot	Carro	1
3	600-215	Grommit	Bouchon	Clavija	2
4	0278373	Wheel	Roue	Rueda	2
5	0294534	Wheel spacer	Espaceur de roue	Separador de rueda	4
6	9890104	Axle cap	Chapeau	Tapa	2
7	856-921	Screw	Vis	Tornillo	4
8	856-002	Washer	Rondelle	Arandella	4
9	0294635	Plug	Capuchon	Tapa	2
10	9885571	Plug	Capuchon	Tapa	2

Hoses (not shown) • Tuyaux (non représenté) • Mangueras (no mostrado)

Part No. N° de pièce Pieza No.	English Description	Français Description	Español Descripción	Qty. Qté. Cant.
0524333	Fluid / air hose, 50 ft	Tuyau de produit / d'air, 15m	Manguera de fluido / aire, 15m	1
316-506	Fluid hose (whip), 5 ft	Fouet tuyau de produit, 1,5m	Látigo manguera de fluido, 1.5m	1
0550371	Air hose (whip), 5 ft	Fouet tuyau d'air, 1,5m	Látigo manguera de aire, 1.5m	1

Fluid Section Assembly • Section de liquides • Sección de líquido

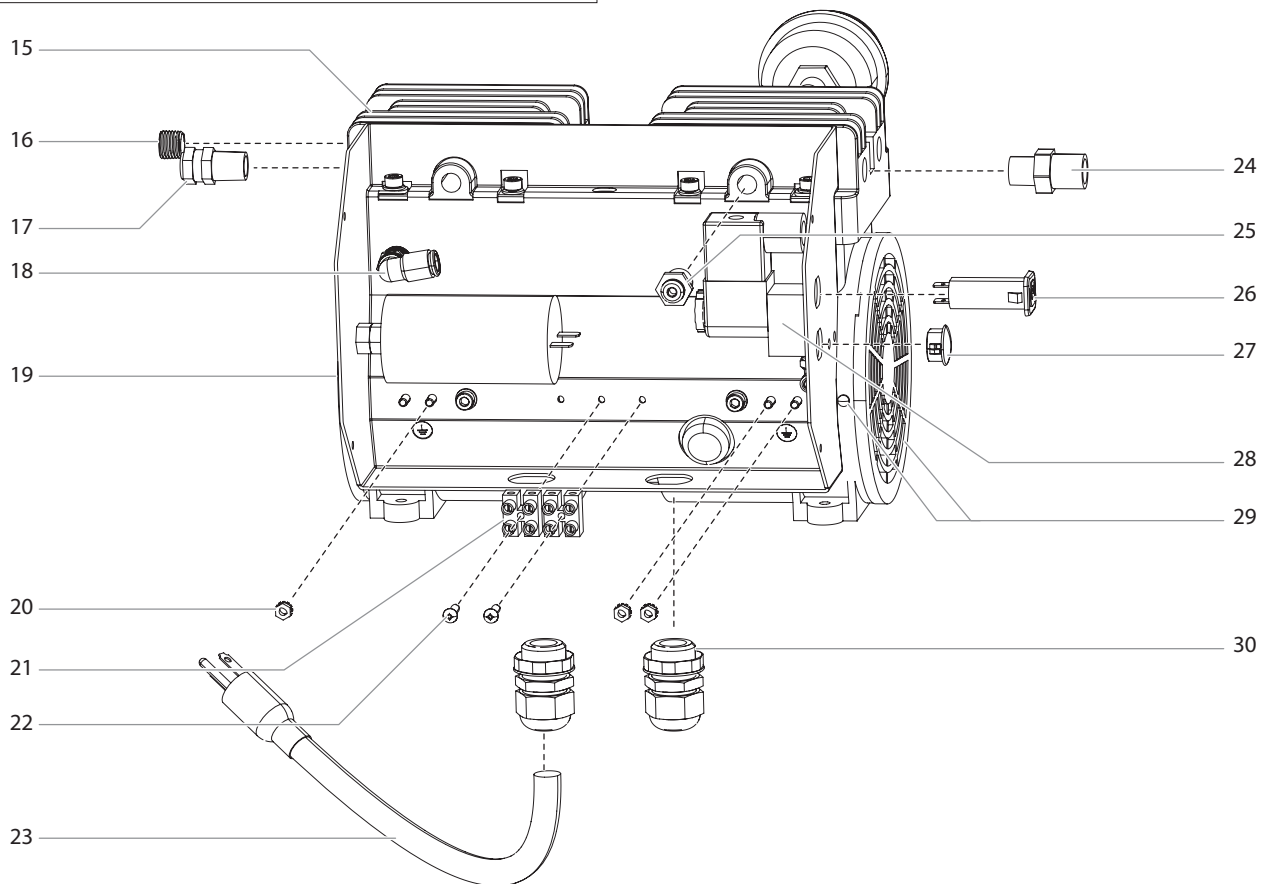
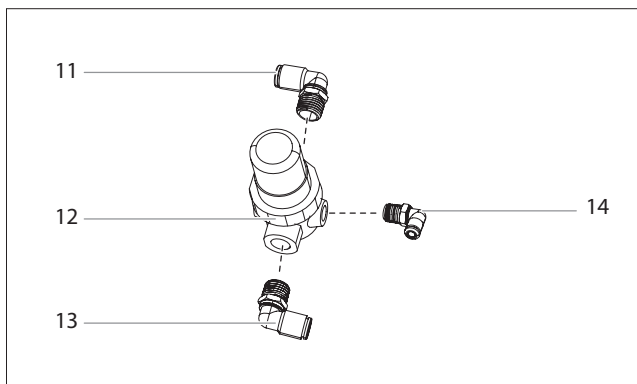
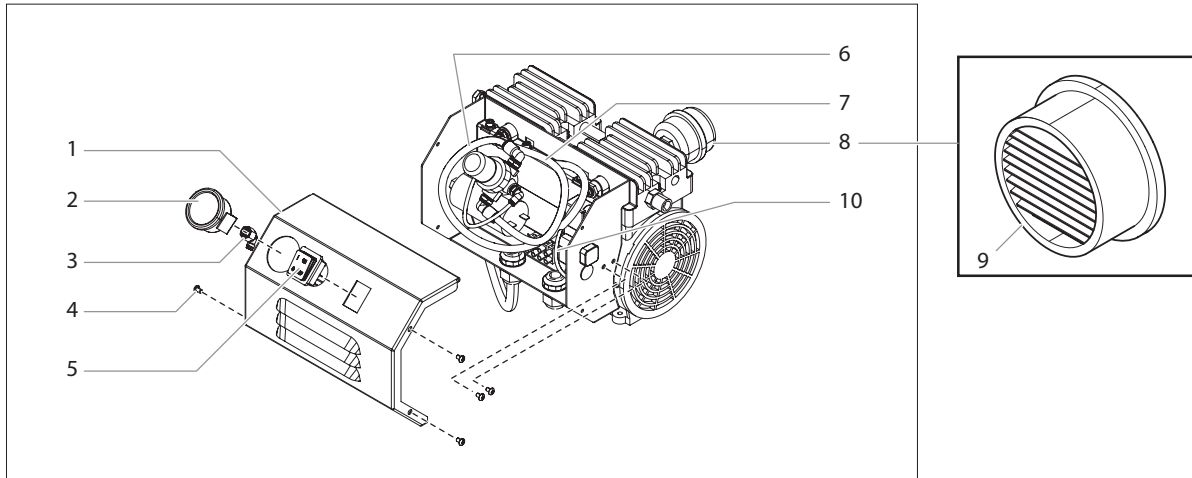
(P/N 805-626A)



#	Part No. N° de pièce Pieza No.	English Description	Français Description	Español Descripción	Qty. Qté. Cant.
1	730-508	Retainer	Rondelle de retenue	Retén	1
2	700-587	Piston guide	Guide-piston	Guía de piston	1
3	-----	Upper packing with tool	Tampon graisseur supérieur avec l'outil	Empaquetadura superior con la herramienta	1
4	704-492A	Pressure sensor assembly	Ensemble de capteur de pression	Ensamblaje de sensor de presión	1
5	227-028	Pipe plug	Fiche	Tapón	1
6	805-324A	Pump block	Bloc pompe	Bloque de la bomba	1
7	227-006	Fitting	Raccord	Conector	1
8	704-547	Lower packing	Tampon graisseur inférieur	Ampaquetadura inferior	1
9	0509590	Bushing	Manchon	Buje	1
10	704-551A	Piston rod	Tige de piston	Vara del pistón	1
11	704-610	Upper cage	Cage supérieur	Jaula superior	1
12	704-612	Crush washer	Rondelle d'encrasement	Arandela de aplastar	1
13	50164	Outlet valve ball	Clapet de soupape de sortie	Bola de la válvula de salida	1
14	704-558	Outlet valve seat	Siège de soupape de sortie	Asiento de la válvula de salida	1
15	13481	Outlet valve retainer	Rondelle de retenue de soupape de sortie	Retén de la válvula de salida	1
16	704-703	Lower cage	Cage inférieur	Jaula superior	1
17	762-145	Foot valve ball	Clapet de soupape de retenue	Bola de la válvula de pie	1
18	762-137	Foot valve seat	Siège de soupape de retenue	Asiento de la válvula de pie	1
19	762-058	O-ring, PTFE	Joint torique, PTFE	Junta tórica, PTFE	1
20	700-821	Foot valve seal	Joint de soupape de retenue	Junta de la válvula de pie	1
21	805-351A	Foot valve	Soupape de retenue	Válvula de pie	1
22	9871160	O-ring	Joint torique	Junta tórica	1
23	730-067	Filter	Filtre	Filtro	1
24	702-251	Adapter	Adaptateur	Adaptador	1
25	704-252	Filter housing	Logement de filtre	Caja del filtro	1
26	730-083	Filter spring	Ressort du filtre	Resorte de filtro	1
27	757-105	Filter support spring	Ressort du support de filtre	Resorte del soporte del filtro	1
28	704-297	O-ring	Joint torique	Junta tórica	1
29	700-537	Gasket	Joint d'étanchéité	Empaquetadura	1
30	800-925	Bypass valve assembly	Soupape de dérivation	Conjunto de la válvula de derivación	
31	700-252	Cam base	Base à came	Base de leva	1
32	700-697	Valve handle	Manette de soupape	Mango de la válvula	1
33	700-759	Groove pin	Goupille	Pasador de surco	1
	704-560	Piston assembly (includes items 10-15)	Ensemble de piston (comprend les articles 10-15)	Ensamblaje del pistón (incluye artículos 10-15)	
	704-586	Repacking kit (includes items 2-3, 8, 11-13, 17, and 19-20. Also included are packing grease P/N 700-203 and piston guide tool P/N 700-793.)	Trousse de tampon graisseurs (comprend les articles 2-3, 8, 11-13, 17, et 19-20. Sont également inclus les lubrifiants de tampon graisseurs P/N 700-203 et outil de piston de guide P/N 700-793.)	Juego de empaquetaduras (incluye artículos 2-3, 8, 11-13, 17, y 19-20. También de incluyen la lubricador de empaquetaduras P/N 700-203 et herramienta de guía del pistón P/N 700-793.)	

Compressor Assembly • Ensemble de compresseur • Ensamblaje de compresor

(P/N 0524266A)



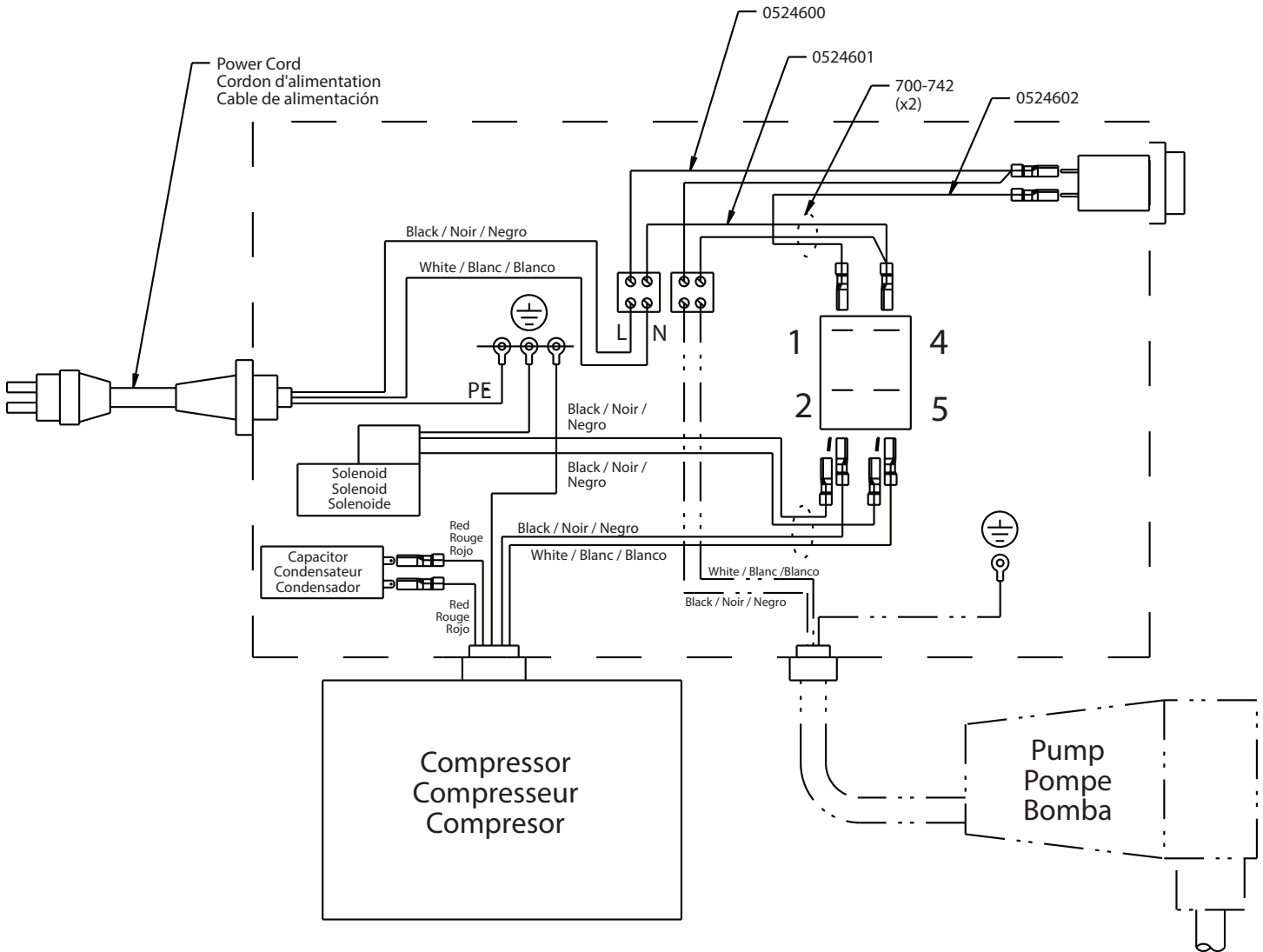
#	Part No. N° de pièce Pieza No.	English Description	Français Description	Español Descripción	Qty. Qté. Cant.
1	0524535	Compressor cover panel	Couvercle du panneau de compresseur	Cubierta del panel de compresor	1
2	0524570	Air gauge	Manomètre	Manometro	1
3	0524586	Fitting, 1/8 FPT	Raccord, 1/8 FPT	Conector, 1/8 FPT	1
4	0524563	Screw	Vis	Tornillo	6
5	9805936	ON/OFF switch	Commutateur	Interruptor	1
6	0524584	Tubing, 8mm x 18 in.	Tube, 8mm x 0,45m	Tubo, 8mm x 0,45m	1
7	0524580	Tubing, 8mm x 11 in.	Tube, 8mm x 0,28m	Tubo, 8mm x 0,28m	1
8	551376	Filter assembly	Ensemble de filtre	Ensamblaje del filtro	1
9	0524378	Filter	Filtre	Filtro	1
10	0524581	Tubing, 4mm x 7.5 in	Tube, 4mm x 0,2m	Tubo, 4mm x 0,2m	1
11	0524585	Outlet fitting, 8mm	Raccord de sortie, 8mm	Conector de salida, 8mm	1
12	0524571	Adjustable relief valve	Soupape de réglable	Válvula de descarga ajustable	1
13	0524585	Inlet fitting, 8mm	Raccord de entrée, 8mm	Conector de entrada, 8mm	1
14	0524582	Fitting, 4mm	Raccord, 4mm	Conector, 4mm	2
15	0524543A	Compressor assembly	Compresseur	Compresor	1
16	227-028	Plug, pipe	Bouchon de tube	Tapón del tubo	1
17	0551361	Relief valve	Soupape	Válvula de alivio	1
18	0524585	Fitting, 8mm	Raccord, 8mm	Conector, 8mm	1
19	0524534	Base panel	Panneau de base	Panel de la base	1
20	0524622	Nut	Écrou	Tuerca	3
21	9850577	Terminal block	Bloc de bornes	Bloque de terminales	2
22	0524623	Screw	Vis	Tornillo	2
23	0524579	Power cord assembly	Cordon d'alimentation	Cable de alimentación	1
24	51551	Hose connector	Raccord de tuyau	Conector de manguera	1
25	0524583	Fitting, 1/4 MNPT, 4mm	Raccord, 1/4 MNPT, 4mm	Conector, 1/4 MNPT, 4mm	1
26	0524568	Circuit breaker, 6 A	Disjoncteur, 6 A	Disyuntor, 6 A	1
27	0524573	Plug	Capuchon	Tapa	1
28	0524544	Solenoid valve	Soupape de solénoïde	Válvula de solenoide	1
29	0524379	End cover with screws	Bouchon avec des vis	Tapón con los tornillos	1
30	0508778	Strain relief	Antitraction	Alivio de tensión	2

Labels • Étiquettes • Etiquetas

Part No. N° de pièce Pieza No.	English Description	Français Description	Español Descripción
0524768	Front cover label	Étiquette du couvercle avant	Etiqueta de la cubierta delantera
805-901	Motor cover label	Étiquette du carter de moteur	Etiqueta de la cubierta del motor
805-818	Warning label	Etiqueta de la cubierta del motor	Etiqueta de advertencia
805-900	Pressure control knob	Étiquette du bouton de pression	Etiqueta de botón de presión

Electrical Schematic • Schéma de raccordement électrique • Esquema eléctrico

Compressor • Compresseur • Compresor



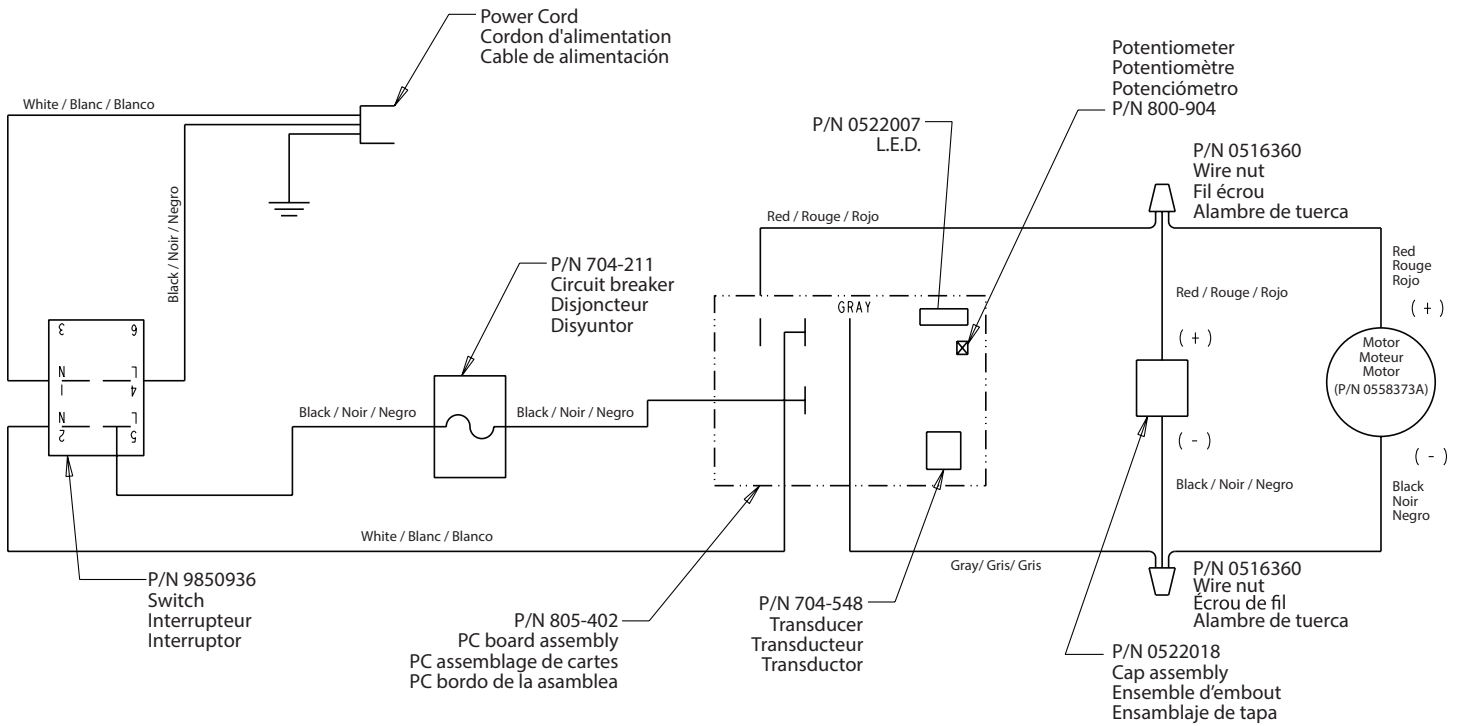
NOTE: All electrical work should be performed by an authorized service center.

NOTA: Tous les travaux d'électricité doivent être effectués par le personnel d'un centre de service autorisé.

NOTA: Todo trabajo eléctrico debe realizarlo un centro de servicio autorizado.

Electrical Schematic • Schéma de raccordement électrique • Esquema eléctrico

Compressor • Compresseur • Compresor

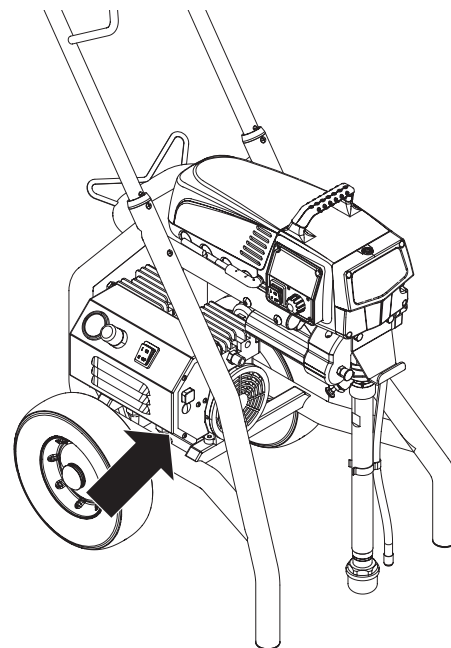


NOTE: All electrical work should be performed by an authorized service center.

NOTA: Tous les travaux d'électricité doivent être effectués par le personnel d'un centre de service autorisé.

NOTA: Todo trabajo eléctrico debe realizarlo un centro de servicio autorizado.

Serial Number Location • Emplacement du numéro de série • Ubicación del número de serie



Warranty • Garantie • Garantía

Titan Tool, Inc., ("Titan") warrants that at the time of delivery to the original purchaser for use ("End User"), the equipment covered by this warranty is free from defects in material and workmanship. With the exception of any special, limited, or extended warranty published by Titan, Titan's obligation under this warranty is limited to replacing or repairing without charge those parts which, to Titan's reasonable satisfaction, are shown to be defective within twelve (12) months after sale to the End User. This warranty applies only when the unit is installed and operated in accordance with the recommendations and instructions of Titan.

This warranty does not apply in the case of damage or wear caused by abrasion, corrosion or misuse, negligence, accident, faulty installation, substitution of non-Titan component parts, or tampering with the unit in a manner to impair normal operation.

Defective parts are to be returned to an authorized Titan sales/service outlet. All transportation charges, including return to the factory, if necessary, are to be borne and prepaid by the End User. Repaired or replaced equipment will be returned to the End User transportation prepaid.

THERE IS NO OTHER EXPRESS WARRANTY. TITAN HEREBY DISCLAIMS ANY AND ALL IMPLIED WARRANTIES INCLUDING, BUT NOT LIMITED TO, THOSE OF MERCHANTABILITY AND FITNESS FOR A PARTICULAR PURPOSE, TO THE EXTENT PERMITTED BY LAW. THE DURATION OF ANY IMPLIED WARRANTIES WHICH CANNOT BE DISCLAIMED IS LIMITED TO THE TIME PERIOD SPECIFIED IN THE EXPRESS WARRANTY. IN NO CASE SHALL TITAN LIABILITY EXCEED THE AMOUNT OF THE PURCHASE PRICE. LIABILITY FOR CONSEQUENTIAL, INCIDENTAL OR SPECIAL DAMAGES UNDER ANY AND ALL WARRANTIES IS EXCLUDED TO THE EXTENT PERMITTED BY LAW.

TITAN MAKES NO WARRANTY AND DISCLAIMS ALL IMPLIED WARRANTIES OF MERCHANTABILITY AND FITNESS FOR A PARTICULAR PURPOSE WITH RESPECT TO ACCESSORIES, EQUIPMENT, MATERIALS OR COMPONENTS SOLD BUT NOT MANUFACTURED BY TITAN. THOSE ITEMS SOLD, BUT NOT MANUFACTURED BY TITAN (SUCH AS GAS ENGINES, SWITCHES, HOSES, ETC.) ARE SUBJECT TO THE WARRANTY, IF ANY, OF THEIR MANUFACTURER. TITAN WILL PROVIDE THE PURCHASER WITH REASONABLE ASSISTANCE IN MAKING ANY CLAIM FOR BREACH OF THESE WARRANTIES.

Titan Tools, inc. (« Titan ») garantit qu'au moment de la livraison à l'acheteur original (« Utilisateur »), l'appareil couvert par la présente garantie sera exempt de défauts de matériaux et de fabrication. Les responsabilités de Titan en vertu de cette garantie se limitent au remplacement ou à la réparation sans frais des pièces dont on aura, à la satisfaction raisonnable de Titan, démontré la défectuosité dans un délai de 12 mois après la date d'achat par l'Utilisateur. Cette garantie ne s'applique que si l'appareil a été installé et utilisé conformément aux recommandations et directives de Titan.

Cette garantie ne s'applique pas dans les cas d'endommagement ou d'usage engendrés par de l'abrasion, de la corrosion, un mauvais usage, de la négligence, un accident, une installation incorrecte, un remplacement par des composants non fournis par Titan ou toute intervention non autorisée apte à nuire au fonctionnement normal de l'appareil.

Les pièces défectueuses doivent être envoyées à un centre de service/vente Titan autorisé; les frais de transport, incluant le retour à l'usine, le cas échéant, doivent être défrayés à l'avance par l'Utilisateur. Une fois remplacées ou réparées, les pièces seront renvoyées à ce dernier par transport prépayé.

AUCUNE AUTRE GARANTIE EXPLICITE N'EST DONNÉE. PAR LES PRÉSENTES, TITAN SE DÉGAGE DE TOUTE AUTRE GARANTIE IMPLICITE, INCLUANT, SANS TOUTEFOIS S'Y LIMITER, LES GARANTIES DE COMMERCIALITÉ ET D'ADAPTATION À UN USAGE PARTICULIER, DANS LES LIMITES PERMISES PAR LA LOI. LA DURÉE DES GARANTIES IMPLICITES NE POUVANT ÊTRE DÉCLINÉES SE LIMITE À LA PÉRIODE INDIQUÉE DANS LA GARANTIE EXPLICITE. LES RESPONSABILITÉS DE TITAN NE SAURAIENT EN AUCUN CAS SE CHIFFRER À UN MONTANT SUPÉRIEUR À CELUI DU PRIX D'ACHAT, ET CELLES RELATIVES AUX DOMMAGES CONSÉCUTIFS, ACCESSOIRES OU PARTICULIERS EN VERTU DE TOUTE GARANTIE SONT ÉGALEMENT DÉCLINÉES, DANS LES LIMITES PERMISES PAR LA LOI.

TITAN NE DONNE AUCUNE AUTRE GARANTIE EXPLICITE ET DÉCLINE TOUTE GARANTIE IMPLICITE DE COMMERCIALITÉ ET D'ADAPTATION À UN USAGE PARTICULIER RELATIVEMENT AUX ACCESSOIRES, À L'ÉQUIPEMENT, AUX MATÉRIAUX OU AUX COMPOSANTS VENDUS MAIS NON FABRIQUÉS PAR ELLE; CES ÉLÉMENTS (MOTEURS À ESSENCE, COMMUTATEURS, FLEXIBLES, ETC.) SONT PLUTÔT SOUMIS, LE CAS ÉCHÉANT, AUX GARANTIES DE LEUR FABRICANT. TITAN S'ENGAGE À OFFRIR UN SOUTIEN RAISONNABLE AUX UTILISATEURS QUI FERONT DES RÉCLAMATIONS RELATIVES À L'INOBSERVATION DE CES GARANTIES.

Titan Tool, Inc., ("Titan") garantiza que en el momento de la entrega al comprador original para su uso ("Usuario final"), el equipo cubierto por esta garantía está exento de defectos en material y fabricación. La obligación de Titan en virtud de esta garantía se limita a sustituir o reparar sin cargo las piezas que; a la entera satisfacción de Titan, demuestren estar defectuosas dentro de 12 meses después de la venta al usuario final. Esta garantía corresponde solamente cuando la unidad se instala y funciona según las recomendaciones e instrucciones de Titan.

Esta garantía no corresponde en el caso de daños o desgaste causados por abrasión, corrosión o uso indebido, negligencia, accidente, instalación errada, sustitución de piezas con componentes que no sean Titan o alteraciones con la unidad de tal modo que se vea afectado el funcionamiento normal.

Las piezas defectuosas deben devolverse a un centro de ventas y servicio autorizado de Titan. Todos los cargos de transporte, incluso la devolución a la fábrica, si es necesario, debe pagarlos previamente el usuario final. El equipo reparado o cambiado se devolverá al usuario final con porte prepago.

NO EXISTE NINGUNA OTRA GARANTÍA EXPRESA. TITAN DESCONOCE POR LA PRESENTE TODA OTRA GARANTÍA IMPLÍCITA INCLUSIVE ENTRE OTRAS, LAS DE COMERCIALIDAD E IDONEIDAD PARA UN FIN PARTICULAR, EN LA MEDIDA QUE LO PERMITA LA LEY. LA DURACIÓN DE LAS GARANTÍAS IMPLÍCITAS QUE NO PUEDEN DESCONOCERSE SE LIMITA AL PLAZO ESPECIFICADO EN LA GARANTÍA EXPRESA. EN NINGÚN CASO EXCEDERÁ LA RESPONSABILIDAD DE TITAN EL MONTO DEL PRECIO DE COMPRA. LA RESPONSABILIDAD CIVIL POR DAÑOS Y PERJUICIOS RESULTANTES, FORTUITOS O ESPECIALES BAJO TODA GARANTÍA QUEDA EXCLUIDA EN LA MEDIDA QUE LO PERMITA LA LEY.

TITAN NO OFRECE GARANTÍAS Y DESCONOCE TODA GARANTÍA IMPLÍCITA DE COMERCIALIDAD E IDONEIDAD PARA UN FIN PARTICULAR REFERENTE A ACCESORIOS, EQUIPO, MATERIALES O COMPONENTES VENDIDOS PERO NO FABRICADOS POR TITAN. AQUELLOS ARTÍCULOS VENDIDOS, PERO NO FABRICADOS POR TITAN (COMO LOS MOTORES DE GAS, INTERRUPTORES, MANGUERAS, ETC.) ESTÁN PROTEGIDOS POR LA GARANTÍA DE SU PROPIO FABRICANTE, SI LA HAY. TITAN PROPORCIONARÁ AL COMPRADOR ASISTENCIA RAZONABLE PARA EFECTUAR RECLAMOS EN CASO DE INCUMPLIMIENTO DE ESTAS GARANTÍAS.

Product Registration

Register your product online at www.titantool.com.

Enregistrement du produit

Enregistrer votre appareil en ligne à www.titantool.com.

Registro del producto

Registre su producto en línea en www.titantool.com.

UNITED STATES SALES & SERVICE

WEB: www.titantool.com

PHONE: 1-800-526-5362

1770 Fernbrook Lane

Minneapolis, MN 55447

INTERNATIONAL

WEB: www.titantool-international.com