

WAGNER®

FLEXiO®

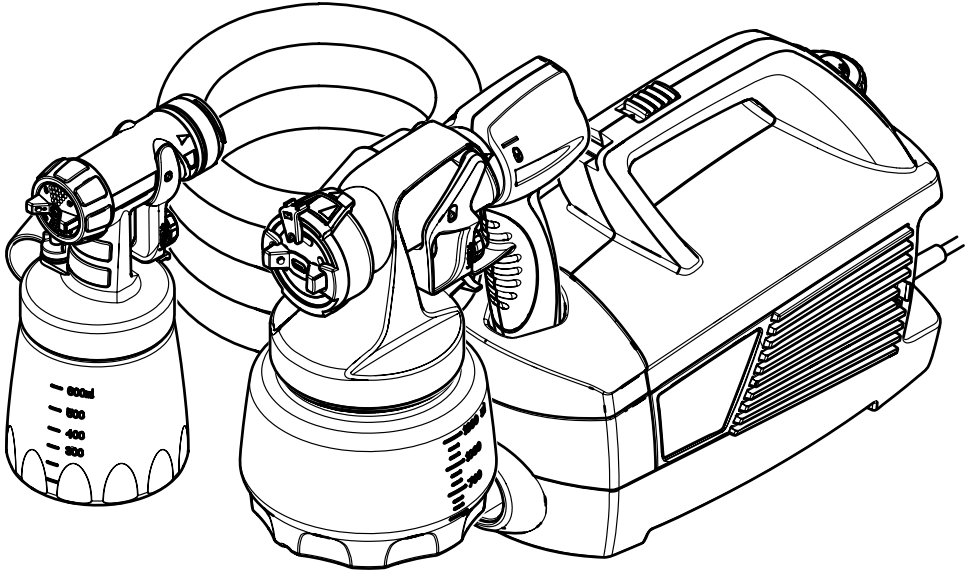
690



Owner's Manual

Read this manual for complete instructions

Français (page 17) / Español (página 33)



Contents

- 2 Important Safety Information
- 4 Controls and Functions
- 5 Material Preparation
- 6/7 Assembly
- 8 Air and Material Controls
- 9 Spray Pattern Adjustment
- 10 Proper Spraying Technique
- 12 Cleanup
- 14 Reassembly
- 15 Maintenance
- 16 Troubleshooting
- 49 Parts List
- 52 Warranty

Questions?

Call Wagner Technical Service at:

1-800-328-8251

Register your product online at:

www.wagnerspraytech.com

Important Safety Information



Read all safety information before operating the equipment. Save these instructions.



Indicates a hazardous situation which, if not avoided, could result in death or serious injury.

To reduce the risks of fire or explosion, electrical shock and the injury to persons, read and understand all instructions included in this manual. Be familiar with the controls and proper usage of the equipment.



WARNING - To reduce the risk of fire or explosion:

1. Do not spray flammable or combustible materials near an open flame, pilot lights or sources of ignition such as hot objects, cigarettes, motors, electrical equipment and electrical appliances. Avoid creating sparks from connecting and disconnecting power cords.
2. For use with only water-based or mineral spirit-type materials with a minimum flash point of 38°C (100° F) — Do not spray or clean with liquids having a flash point of less than 38°C (100° F). Flash point is the temperature at which a fluid can produce enough vapor to ignite.
3. Verify that all containers and collection systems are grounded to prevent static discharge.
4. Connect to a grounded outlet and use grounded extension cords (electric models only). Do not use a 3 to 2 adapter.
5. Keep spray area well ventilated. Keep a good supply of fresh air moving through the area to keep the air within the spray area free from accumulation of flammable vapors. Keep turbine assembly in well ventilated area. Do not spray turbine assembly.
6. Do not smoke in the spray area.
7. Do not operate light switches, engines, or similar spark producing products in the spray area.
8. Keep area clean and free of paint or solvent containers, rags, and other flammable materials.
9. Know the contents of the paint and solvents being sprayed. Read all Material Safety Data Sheets (MSDS) and container labels provided with the paints and solvents. Follow the paint and solvent manufacturer's safety instructions.
10. Fire extinguisher equipment shall be present and working.

Grounding Instructions

This product must be grounded. In the event of an electrical short circuit, grounding reduces the risk of electric shock by providing an escape wire for the electric current. This product is equipped with a cord having a grounding wire with an appropriate grounding plug. The plug must be plugged into an outlet that is properly installed and grounded in accordance with all local codes and ordinances.

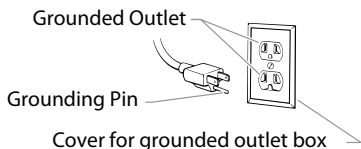


WARNING - Improper installation of the grounding plug can result in a risk of electric shock.

If repair or replacement of the cord or plug is necessary, do not connect the green grounding wire to either flat blade terminal. The wire with insulation having a green outer surface with or without yellow stripes is the grounding wire and must be connected to the grounding pin.

Check with a qualified electrician or serviceman if the grounding instructions are not completely understood, or if you are in doubt as to whether the product is properly grounded. Do not modify the plug provided. If the plug will not fit the outlet, have the proper outlet installed by a qualified electrician.

This product is for use on a nominal 120 volt circuit and has a grounding plug that looks like the plug illustrated below. Make sure that the product is connected to an outlet having the same configuration as the plug. No adapter should be used with this product.



Important Safety Information



WARNING - To reduce the risk of injury:

1. Always wear appropriate gloves, eye protection, clothing and a respirator or mask when painting. Hazardous vapors – Paints, solvents, insecticides, and other materials can be harmful if inhaled or come in contact with body. Vapors can cause severe nausea, fainting or poisoning.
2. Do not operate or spray near children. Keep children away from equipment at all times.
3. Do not overreach or stand on an unstable support. Keep effective footing and balance at all times.
4. Stay alert and watch what you are doing.
5. Do not operate the unit when fatigued or under the influence of drugs or alcohol.
6. Never aim spray gun at any part of the body.
7. Follow all appropriate local, state, and national codes governing ventilation, fire prevention, and operation.
8. The United States Government Safety Standards have been adopted under the Occupational Safety and Health Act (OSHA). These standards, particularly part 1910 of the General Standards and part 1926 of the Construction Standards should be consulted.
9. Use only manufacturer authorized parts. User assumes all risks and liabilities when using parts that do not meet the minimum specifications and safety devices of the turbine manufacturer.
10. Power cord must be connected to a grounded circuit.
11. Do not spray outdoors on windy days.
12. Use only Wagner HVLP hose.



WARNING - To reduce the risk of electric shock:

1. Power cord must be connected to a grounded circuit.
2. Never submerge electrical parts.
3. Never expose the equipment to rain. Store indoors.
4. Keep electrical cord plug and spray gun trigger free from paint and other liquids. Never hold the cord at plug connections to support the cord. Failure to observe may result in an electrical shock.

Important Electrical Information

Use only a 3-wire extension cord that has a 3-blade grounding plug and a 3-slot receptacle that will accept the plug on the product. Make sure your extension cord is in good condition. When using an extension cord, be sure to use one heavy enough to carry the current your product will draw. An undersized cord will cause a drop in line voltage resulting in loss of power and overheating. A 14 gauge or 12 gauge cord is recommended. If an extension cord is to be used outdoors, it must be marked with the suffix W-A after the cord type designation. For example, a designation of SJTW-A would indicate that the cord would be appropriate for outdoor use.

IMPORTANT: Household use only. Intended for indoor/outdoor use ONLY with materials having flashpoint above 100°F (38°C).

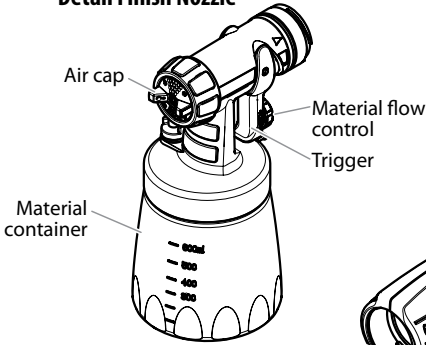
Thank you for your purchase!

Thank you for purchasing the Wagner FLEXiO sprayer with best-in-class features that are designed for spraying residential paint, un-thinned, indoors or out. Only the FLEXiO sprayers have the power of the X-Boost® turbine and versatility of the iSpray nozzle that will help you finish projects fast and professionally. They are easy to use right out of the box and with low overspray and less clogging you will enjoy the flexibility to tackle all the painting projects on your list. We appreciate your feedback, so please visit our website and write a review on the FLEXiO sprayer so we can continue to learn and improve our products.

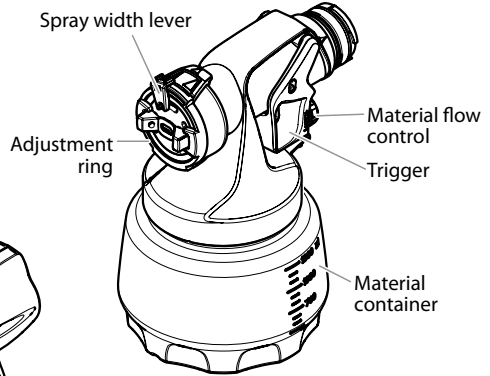
Just click on www.wagnerflexio.com

Controls and Functions

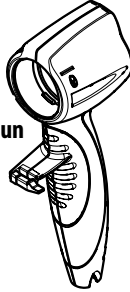
Detail Finish Nozzle



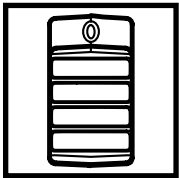
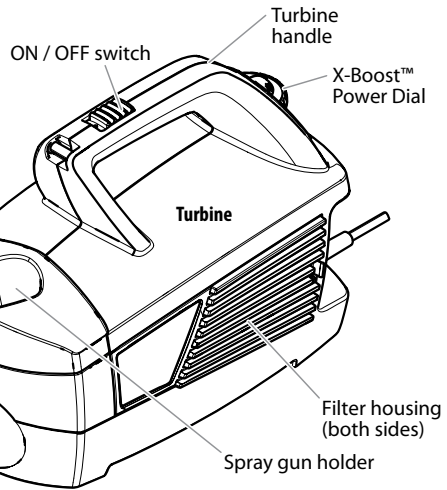
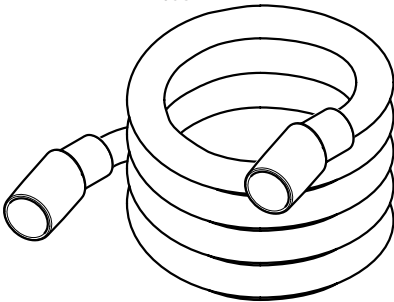
iSpray Nozzle



Spray gun handle

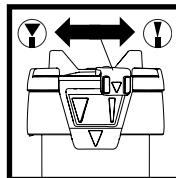


Air hose



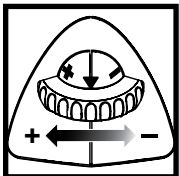
ON/OFF switch:

The ON/OFF switch turns power to the turbine on and off. The ON/OFF switch is located on top of the carrying handle of the turbine.



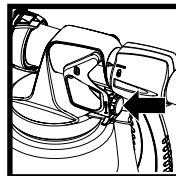
Spray Width Lever:

The spray width lever determines the width of the spray pattern (iSpray nozzle only).



X-Boost™ Power Dial:

The X-Boost™ power dial adjusts the level of air pressure produced by the turbine.



Material Flow Control:

The material flow control determines the amount of spray material that is sprayed from the spray gun.

Material Preparation

Note: Material to be sprayed may need to be strained to remove any impurities in the paint which may enter and clog the system. Impurities in the paint will give poor performance and a poor finish.

Note: Only thin the material if absolutely necessary to improve spray performance (or if advised by coating manufacturer). Optimal spray performance should be achieved simply by adjusting the various controls on the unit.

To Prepare the Material:

1. Stir the spraying material thoroughly.
2. Unscrew the cup from the nozzle.
3. After the material has been properly thinned and strained, fill the container to desired level.

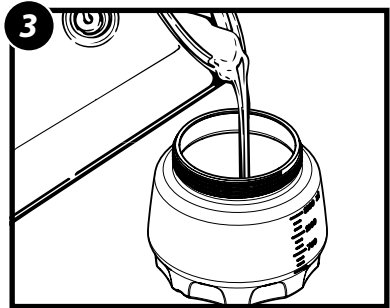
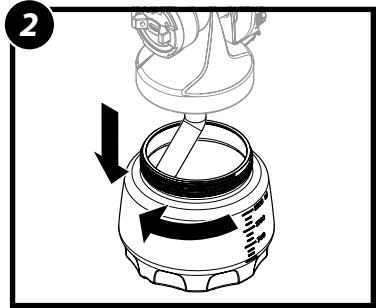
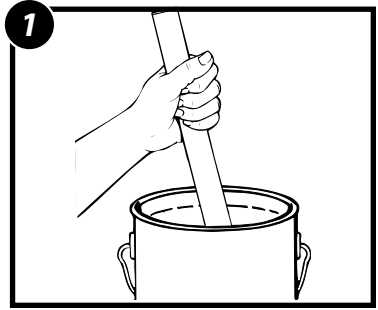
Thinning the material:

For certain spraying situations or desired finishes, thinning the material may be desired. It is not necessary for most materials when used with the iSpray nozzle. For use with the Detail Finish nozzle thinning may be needed to achieve a finer finish. Make sure you adjust the X-Boost™ and Material flow settings for your specific material needs.

If thinning is necessary, use the proper solvent as specified by the material manufacturer. Never exceed the thinning advice given by the coating manufacturer.



Do not thin with materials that have a flashpoint below 100°F (38°C). The material flashpoint should be shown on the material container.



Assembly

Before you begin:

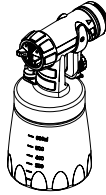


NEVER point the spray gun at any part of the body.

Note: Your unit includes two nozzle assemblies. See below to determine the correct nozzle for your spraying project.

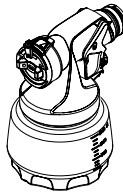
- **Detail Finish Nozzle - used for small projects and fine finishing.**

Designed for spraying thinner materials, such as water- and oil-based stains and thinned paints. The Detail Finish Nozzle leaves a smooth finish.



- **iSpray Nozzle - used for broad surface coating.**

Designed for spraying thicker materials, such as latex paints and stains. Spraying with this nozzle will leave a slightly coarser finish that is between a roller and fine-finish sprayer.



Note: These two spray nozzles have different spray pattern / width controls. Make sure to familiarize yourself with the controls on each spray nozzle. See the "Controls" section, page 8-9.

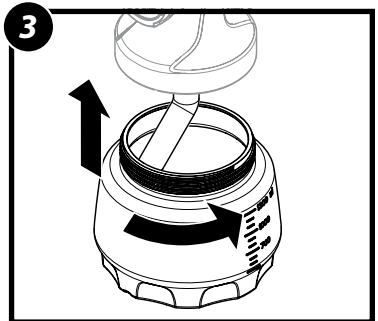
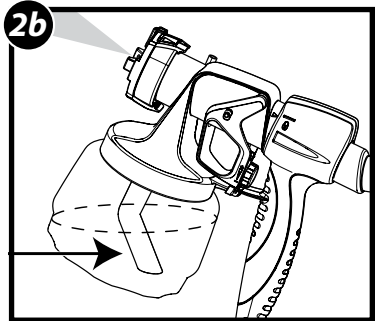
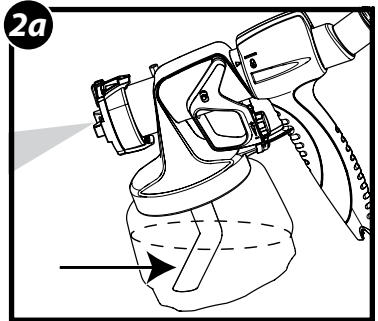
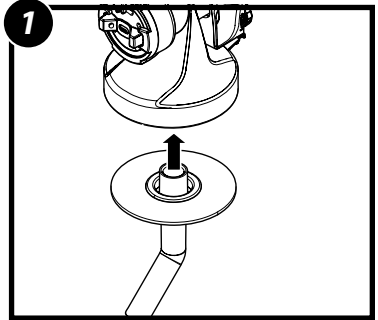
To Assemble:

IMPORTANT: Make sure the power cord is unplugged.

1. Insert the suction tube into the intake opening.
2. **Align the suction tube -**
 - a. If you are going to be spraying in a downward direction, the angled end of the suction tube should be pointing toward the front of the gun.
 - b. If you are going to be spraying in an upward direction, the angled end of the suction tube should be pointing toward the rear of the gun.

Note: Make sure the suction tube is inserted as far as it will go to ensure a tight fit.

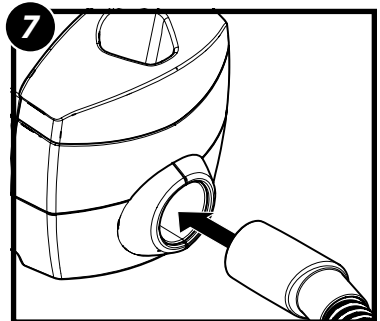
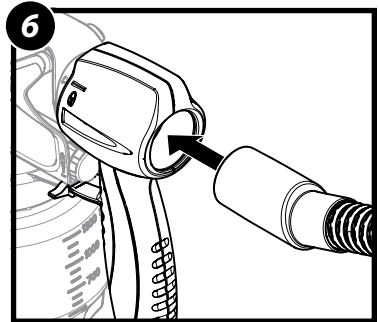
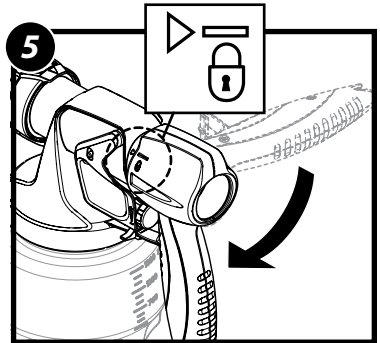
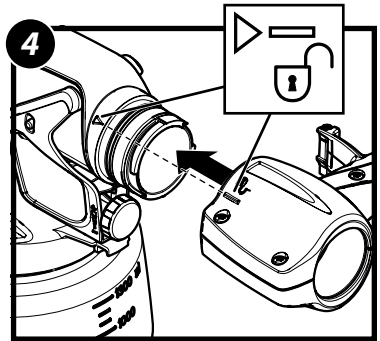
3. Carefully screw the cup back onto the spray gun assembly. Tighten firmly.



Assembly (continued)

4. Align the arrow on the spray gun with the "unlock" symbol on the spray gun handle.
5. Insert and twist the spray gun into the handle toward the "lock" symbol on the spray gun handle.
The tab below the trigger will lock the two pieces into place.
6. Insert the air hose tightly into the connection on the spray handle. The connection can be positioned as desired.
7. Insert the air hose tightly into the connection into the turbine. The connections can be positioned as desired.

IMPORTANT: If the unit has already been used, make sure the nozzle seal is in place (see pages 13-14).



Air and Material Controls

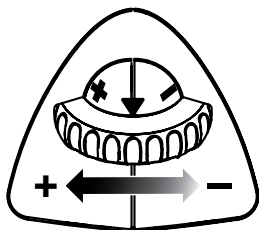
Spray performance will depend upon a number of factors: material thickness, spray pattern selected, material volume, and air pressure. With any type of air-assisted spraying, desired spray results will be achieved through some trial and error while adjusting some or all of these variables.

Review these pages to learn about the spray controls and how they can be used to achieve the desired spray results.

X-Boost™ Power Dial

The X-Boost™ power dial adjusts the level of air pressure produced by the turbine. The X-Boost™ power dial is factory-set at maximum out of the box.

- A high air power level will result in faster coverage and a smoother finish with thicker materials.
- Lowering the air power will result in larger drops of material being sprayed from the gun, and will create a slightly rougher finish.



Tip: The thicker the material you are spraying, the higher the turbine power you will need.

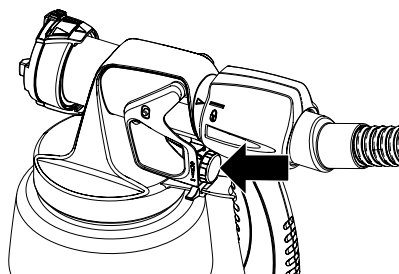
Tip: For fine-finish work with thinner materials, you may want to decrease the air power. Spraying a thinner material at high air power will result in more overspray. Overspray is sprayed material that does not stick to the spray surface and bounces back.

Material Flow Adjustment

The material flow adjustment controls the amount of spray material that is sprayed from the spray gun.

- For thicker materials, it is recommended that you start with the highest material flow setting and then gradually **decrease** the flow to suit your particular spraying needs.
- For thinner materials, it is recommended that you start with a **low** material flow setting, and then gradually **increase** the flow to suit your particular spraying needs.
- The higher the flow setting, the quicker you will have to work in order to avoid drips and sags in your spray pattern.

Set the material volume by turning the knob on the trigger of the spray gun.



Tip: Spraying with the control set too high will result in a spray pattern that runs and sags (too much material).

Tip: Spraying with the control set too low will result in a spray pattern that does not cover (not enough material).

Tip: To ensure desired results are achieved with the controls, test your spray pattern on the spray poster or a scrap piece of wood or cardboard.

Power and Material Settings Guide

Coating	iSpray Nozzle		Detail Finish Nozzle	
	Material Flow	Air Power	Material Flow	Air Power
Transparent / semi-transparent stains, sealers	Light	Low	Med/Heavy	Low
Lacquers (water based)	Light	Low	Med/Heavy	Low
Solid stains	Med	Low / Med	Med	Low / Med
Polyurethane	Med	Low / Med	Med/Heavy	Low / Med
Oil enamels	Heavy	Med	Heavy	Med-Hi
Latex paints plus primers, Latex paints	Heavy	Med-Hi	N/A	N/A
Oil or latex primers	Heavy	Med-Hi	N/A	N/A

Spray Pattern Adjustment

Adjust Spray Shape

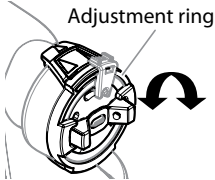
The spray pattern shape is adjusted by turning the adjustment ring (iSpray) or air cap ears (Detail Finish) to either the vertical, horizontal, or diagonal positions. The positions of the air cap and the corresponding spray pattern shapes are illustrated below.

Test each pattern and use whichever pattern is suitable for your application.

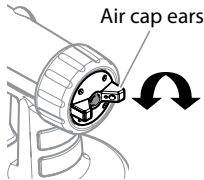


NEVER trigger the gun while adjusting the ears on the air cap. NEVER point the spray gun at any part of the body.

iSpray



Detail Finish



Horizontal pattern



→ Use 'up and down' spraying motion

Vertical pattern



→ Use 'side to side' spraying motion

Diagonal pattern*



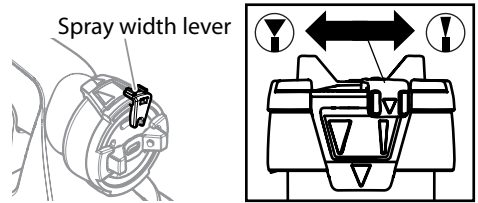
- Use 'up and down' or 'side to side' spraying motion
- Use lower air power / material flow
- For coating smaller areas, corners and edges

IMPORTANT: When changing the spray pattern, make sure the black retaining ring is not loosened.

***Note:** The air cap can be set diagonally on the Detail Finish nozzle only. To achieve a round pattern with the iSpray nozzle, see the "Adjust Spray Width" section.

Adjust Spray Width - iSpray only

The spray width lever on the iSpray nozzle determines the width of the spray pattern.



Wide pattern

- For coating large surfaces
- Use higher air power
- Use higher material flow



Narrow (round) pattern

- For coating smaller areas, corners and edges
- Use lower air power
- Use lower material flow

Tips:

1. Start with a fan pattern for painting trim work (1-5" width) and larger surfaces like doors and walls (>5" width).
2. Adjust Material & Air Flow settings based on coating, fan pattern width, and nozzle.
3. Fine tune the Material and Air Power settings to achieve the best results for your application.
4. Use narrow pattern for detailed work, touch up.
5. Recommended settings for Material and Air Power may change if the coating is thinned.

Proper Spraying Technique

STOP

The room you are spraying must be properly masked in order to prevent overspray from covering woodwork, floors or furnishings. Make sure you have properly masked the room per the instructions on the enclosed "Taping Guide".

If spraying with an air-assisted spray system is new or unfamiliar to you, it is advisable to practice on a piece of scrap wood or cardboard before beginning on your intended workpiece and/or test with water.

Spray Poster

A spray poster is included with your unit. The spray poster can be adhered to a spraying surface and can be used for practice. Follow the guidelines on the poster.

Surface Preparation

All objects to be sprayed should be thoroughly cleaned before spraying material on them. Areas not to be sprayed may, in certain cases, need to be masked or covered.

Spray Area Preparation

The spray area must be clean and free of dust in order to avoid blowing dust onto your freshly sprayed surface.

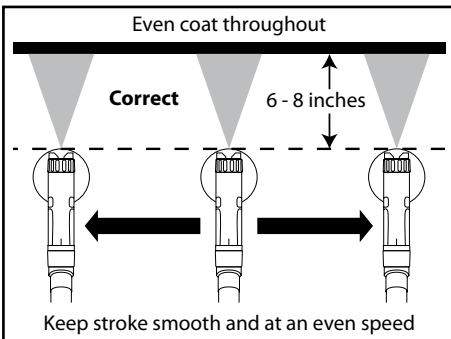
How to Spray Properly

STOP

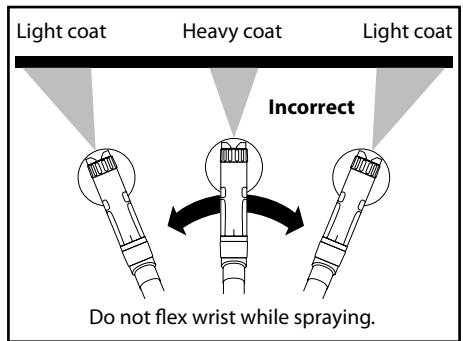
It is important to keep your arm moving whenever the gun is being triggered. If you pause or linger in one spot too long, too much material will be sprayed on the surface.

Note: Do not pull trigger at any time if the turbine is not running. This will result in spray material leaking from the nozzle.

- Spray parallel to the surface with smooth passes at a consistent speed as illustrated below. Doing this will help avoid irregularities in the finish (i. e. runs and sags).



- Position the spray gun perpendicular to and six (6) to eight (8) inches from the spray surface, depending upon the spray pattern size desired. With reduced material flow and air power, you can get closer to the spraying surface.
- Always apply a thin coat of material on the first pass and allow to dry before applying a second, slightly heavier coat.
- When spraying larger surfaces, overlap each spray pass by at least 50%. This will ensure full coverage.
- When spraying, always trigger the spray gun after spray pass has begun and release trigger before stopping the pass. Always keep the gun pointed squarely at the spray surface and overlap passes slightly to obtain the most consistent and professional finish possible.



STOP

During a project, periodically wipe the nozzle tip with a cloth to remove any dried paint.

Note: When you quit spraying for any length of time, turn the turbine OFF and place the spray gun into the spray gun holder on the turbine.

When you restart, wipe the nozzle with a damp cloth to remove any dried paint.

Proper Spraying Technique

Pattern Examples

Use the images and guidelines below in order to assist you in achieving the desired spray pattern for your project. These are meant to be general starting points - you may have to slightly modify certain controls on the system in order to get the exact performance you need.

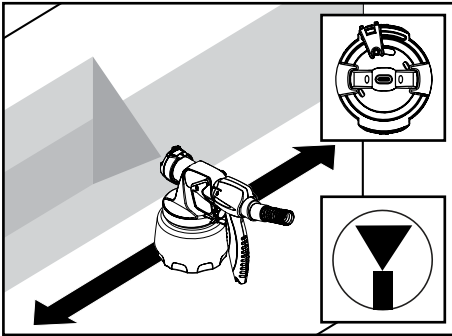


During a project, periodically wipe the nozzle tip with a cloth to remove any dried paint.

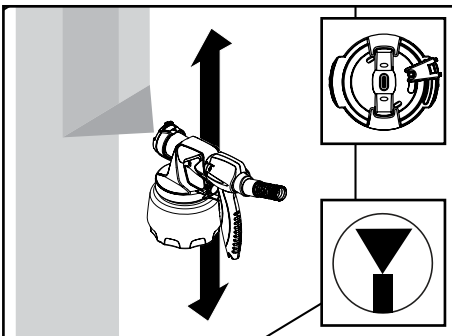
Large Surface Projects

Generally, high material flow and air power are needed for spraying large surface areas, such as walls and decks.

The iSpray nozzle is ideal for these applications and is designed for broad coverage in either horizontal or vertical spraying.



- The air cap position will determine the movement direction of the spray gun.

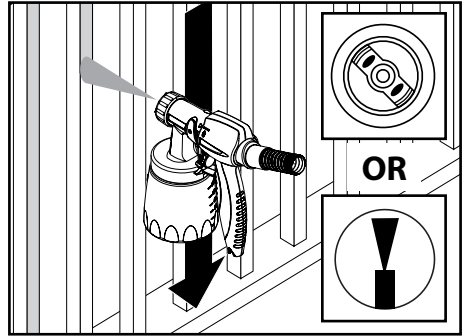


Small Surface Projects

Generally, low material flow and air power are needed for spraying smaller surface areas, such as corners, lattice, or spindles.

For this type of project, reduce power, material flow and switch to a narrow width when using the iSpray Nozzle.

The Detail Finish Nozzle provides an even narrower pattern for smaller surface projects and fine finishing. Moving closer to the spray surface narrows the fan and moving farther away widens it.



- If you feel the material is going on too thin, increase the material flow.
- If you feel the material is going on too thick, decrease the material flow even further or move the spray gun further away from the surface.

Note: If after following the guidelines on these two pages you are still not getting the spray performance you need, refer to the 'Troubleshooting' section on page 16.

Besides adjusting the controls, other factors that should be considered when spraying:

- **Distance from the spray object** - if you are too far from the spraying surface, the material will go on too thin, and vice versa.
- **Material thickness** - if the spray pattern runs and/or is too splotchy, the material may need to be thinned.

Note: Only thin the material if absolutely necessary to improve spray performance. Optimal spray performance should be achieved simply by adjusting the various controls on the unit.

- **Spray gun movement** - moving the gun too quickly will cause the spray pattern to be too thin and excess overspray. Moving the gun too slowly will cause the spray pattern to be too coarse or thick.

Cleanup

Flushing the unit

Before you begin:

When cleaning, use the appropriate cleaning solution (warm, soapy water for latex materials; mineral spirits for oil-based materials)

IMPORTANT: Never clean air cap or air holes in the nozzle with sharp metal objects. Do not use solvents or lubricants containing silicone.



Special cleanup instructions for use with flammable solvents (must have a flashpoint above 100°F (38°C):

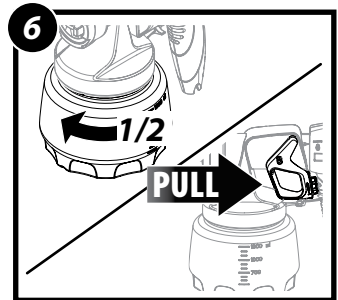
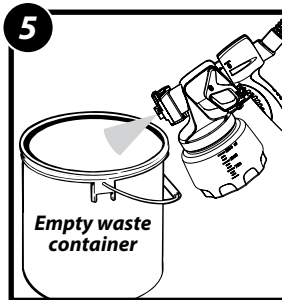
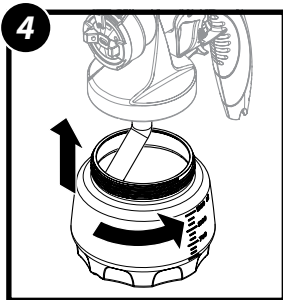
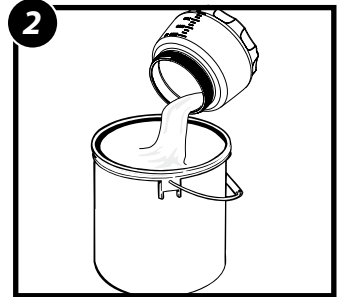
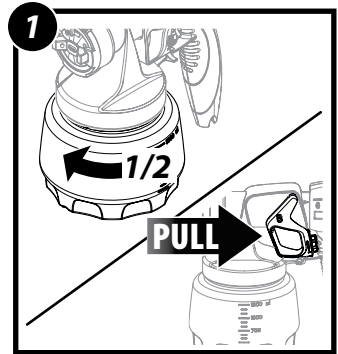
- Always flush spray gun outside.
- Area must be free of flammable vapors.
- Cleaning area must be well-ventilated.
- Do not submerge turbine!

To Flush the Unit:

1. Unplug the power cord. Loosen the material container by 1/2 turn, but do not remove it. This will relieve any pressure left over in the system.
Pull the trigger so that the material inside the spray nozzle drains back into the container.
2. Unscrew the container and remove. Empty any remaining material back into the material container.
3. Pour a small amount of the appropriate cleaning solution into the cup (Warm, soapy water=1/2 full. Mineral spirits=1/4 full).
4. Attach the cup to the nozzle and plug in the sprayer.
5. Spray the cleaning solution into a safe area.
While spraying, gently shake the spray gun. This slight agitation will help break up smaller particles of spray material.
6. Unplug the power cord. Loosen the material container by 1/2 turn, but do not remove it. This will relieve any pressure left over in the system.
Pull the trigger so that the material inside the spray nozzle drains back into the container.

IMPORTANT: If you cleaned the sprayer using mineral spirits, repeat steps 1-6 using warm, soapy water.

Move on to "Cleanup - Cleaning the Nozzle", next page.

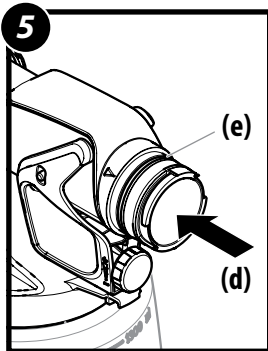
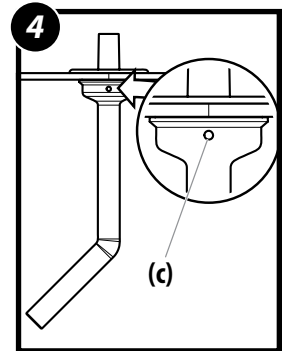
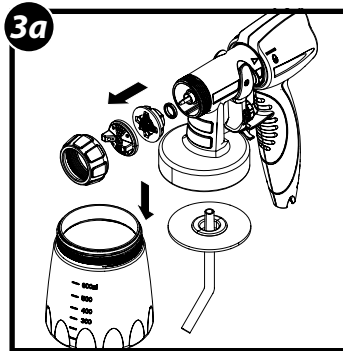
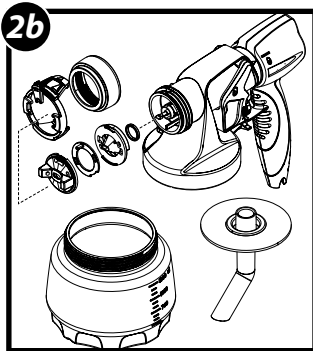
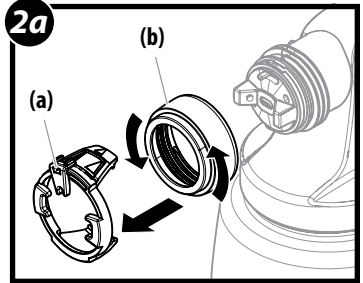
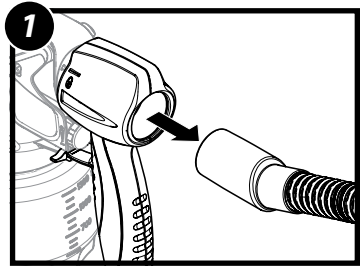


Cleanup (continued)

Cleaning the Nozzle

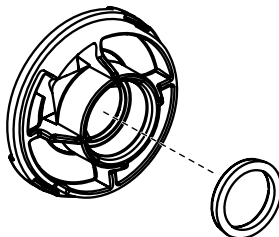
To Clean the Nozzle:

1. Make sure power cord is unplugged. Remove the air hose from the rear of the spray gun handle.
2. **iSpray nozzle only -**
 - a. Remove the adjustment ring (a) carefully from the connecting nut (b). Loosen the connecting nut.
 - b. Remove the parts as shown*. Clean all parts with a cleaning brush and the appropriate cleaning solution. To reassemble, see the instructions on the next page.
3. **Detail Finish nozzle only -**
 - a. Unscrew the nut and remove the air cap and nozzle. Remove the parts as shown*. Clean all parts with a cleaning brush and the appropriate cleaning solution. Reassemble all parts when clean**.
4. Clean the air vent (c) on the suction tube with a soft bristled cleaning brush.
5. Push the tab below the trigger, twist and separate the spray gun from the handle.
Clean the rear of the nozzle (d) with the appropriate cleaning solution. Use a thin layer of petroleum jelly to lubricate the O-ring (e).

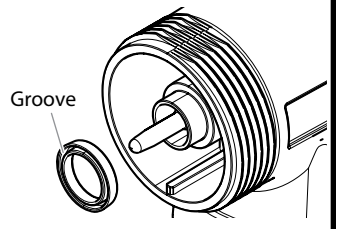


* Nozzle seal

The nozzle seal may become stuck inside the iSpray or Detail Finish nozzle when the nozzle is removed. If this occurs, make sure to pull it out.



** It is important that the nozzle seal inside the nozzle be re-installed properly. Make sure the cup side of the seal (the side with the groove) is facing out towards the front of the nozzle. Improper installation will cause leakage.



Reassembly

To Reassemble:

1. Install the nozzle seal* (1) with the groove (a) (slot) facing toward the nozzle (away from the front end assembly).
2. Insert the nozzle (2). Make sure to align the groove (b) and notch (c) and align the nozzle opening with the needle.
3. Put the air screen (d) in the air cap (e). Put both (3) on the nozzle (2) and secure with the connecting nut (4). Make sure the short tab on the nozzle (f) is lined up with the short slot (g) on the air cap.

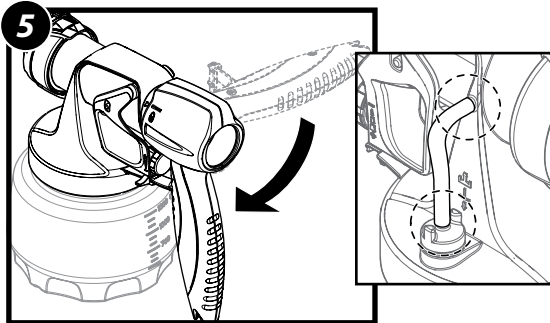
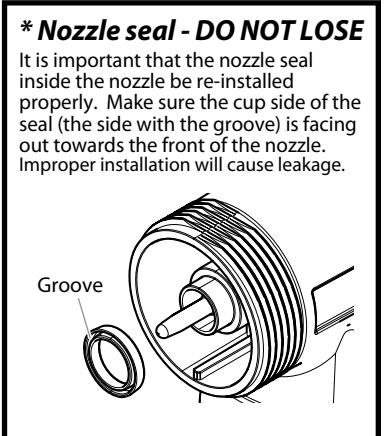
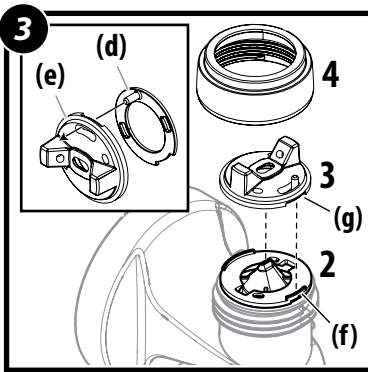
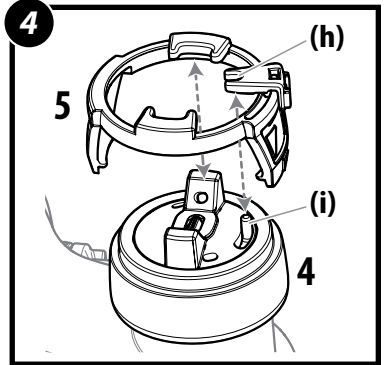
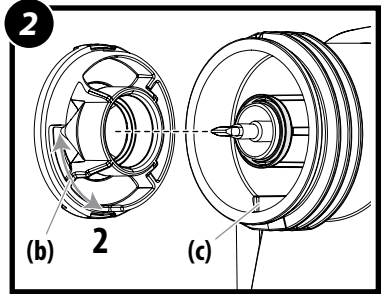
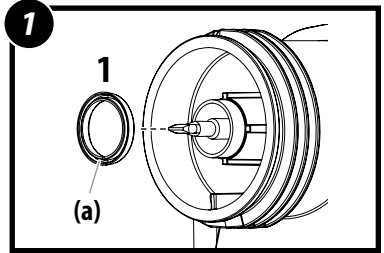
Note: This step is easier if the nozzle is facing up.

4. Snap the adjustment ring (5) into the connecting nut (4), enabling the adjustment lever (h) on the peg (i) to be positioned in the air cap.

Note: Make sure that the two recesses on the adjustment ring are engaged in the air cap tabs.

5. Reassemble the spray gun.

Note: Make sure the air valve tube is free of paint. If not, clean the air valve tube by following the instructions on the next page. If clean, make sure it is attached securely at both ends (see inset).



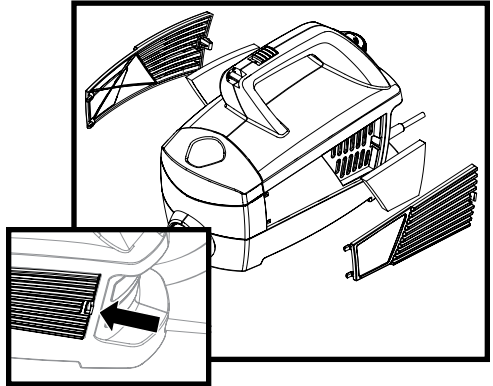
Maintenance

Cleaning the Filters:

IMPORTANT: Before every use, you should inspect the air filters in the turbine to see if it is excessively dirty. If it is dirty, follow these steps to replace it.

IMPORTANT: Never operate your unit without the air filters. Dirt could be sucked in and interfere with the function of the unit.

1. Press the tabs on each side of the turbine to remove the filter covers.
2. Remove the dirty filters from the turbine and replace with new ones. The smooth side of the air filter must be placed toward the turbine. Secure the covers back onto the turbine.



Cleaning the Air Valve Tube

Note: If paint has entered the air tube, proceed as follows.

1. Pull the air tube (a) at the top from the nozzle. Screw off the valve cover (b). Remove the valve seal (c). Clean all the parts carefully. Make sure to remove any material from valve seal housing area (d).

IMPORTANT: The air tube and valve seal (c) are only solvent-resistant to a limited extent. Do not immerse in solvent, only wipe.

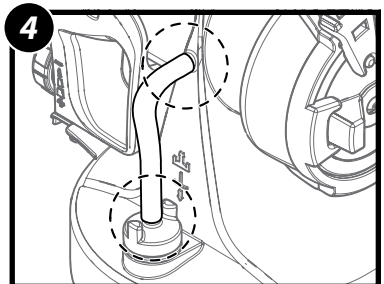
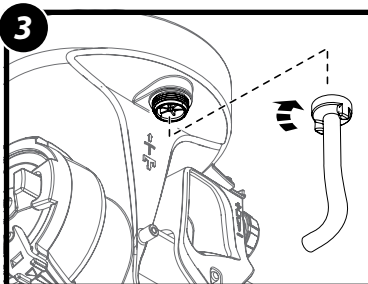
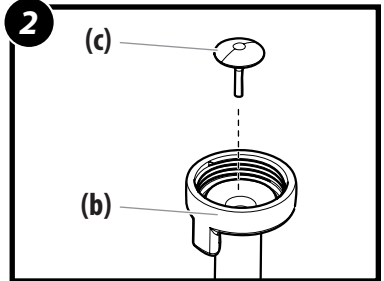
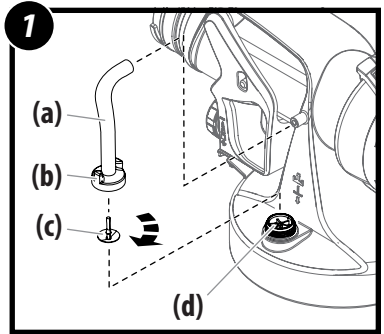
2. Place the valve seal (c) in the valve cover (b) with the pin facing into the tube.

Note: Installing the valve seal into the valve cover will be much easier if the valve cover is inverted.

3. Turn the nozzle upside down and screw on the valve cover (with valve seal inside) from underneath.

Note: Turning the nozzle upside down will prevent the valve seal from falling out of the valve cover during reinstallation.

4. Place the air tube on the valve cover and on the nipple at the nozzle.



Troubleshooting

PROBLEM	CAUSE	SOLUTION
Problem A: Little or no material flow	<ol style="list-style-type: none"> 1. Nozzle clogged. 2. Suction tube clogged. 3. Material flow setting too low. 4. Suction tube loose. 5. Air vent on suction tube blocked. 6. No pressure build up in container. 7. Air valve tube disconnected, valve seal missing. 8. Air valve tube or valve seal plugged. 9. Air filter clogged. 10. Spray material too thick. 11. Nozzle seal missing or worn. 	<ol style="list-style-type: none"> 1. Clean. 2. Clean. 3. Increase material flow setting. 4. Remove and replace as tightly as possible. 5. Clean (see page 13, item 4) 6. Tighten container. 7. Reconnect both ends of the air tube, replace valve seal. 8. Clean (see "Cleaning the Air Valve Tube, page 15) 9. Change 10. Thin*. 11. Replace (extras provided).
Problem B: Material leaking	<ol style="list-style-type: none"> 1. Nozzle loose. 2. Nozzle worn. 3. Nozzle seal missing or worn. 4. Material build-up on air cap and nozzle 	<ol style="list-style-type: none"> 1. Tighten. 2. Replace. 3. Replace (extras provided). 4. Clean.
Problem C: Spray pattern too thick, runs and sags	<ol style="list-style-type: none"> 1. Material flow setting too high. 2. Air power setting too low. 3. Applying too much material. 4. Nozzle clogged. 5. Air filter clogged. 6. Too little pressure build-up in container. 7. Spray material too thick. 	<ol style="list-style-type: none"> 1. Decrease material flow setting. 2. Increase air power setting. 3. Adjust material flow or increase movement of spray gun. 4. Clean. 5. Change. 6. Tighten container. 7. Thin*.
Problem D: Spray jet pulsates	<ol style="list-style-type: none"> 1. Material in container running out. 2. Air filter clogged. 3. Air valve tube disconnected. 	<ol style="list-style-type: none"> 1. Refill. 2. Change. 3. Reconnect both ends of the air tube.
Problem E: Too much overspray	<ol style="list-style-type: none"> 1. Gun too far from spray object. 2. Air power setting too high. 	<ol style="list-style-type: none"> 1. Reduce distance (6"-8" is ideal). 2. Decrease air power setting.
Problem F: Pattern is very light and splotchy	<ol style="list-style-type: none"> 1. Moving the spray gun too fast. 2. Material flow setting too low. 3. Air power setting too high. 	<ol style="list-style-type: none"> 1. Adjust material flow or decrease movement of spray gun. 2. Increase material flow setting. 3. Decrease air power setting.
Problem G: Orange peel / rough finish	<ol style="list-style-type: none"> 1. Material flow setting too high. 2. Gun too close to spray object. 	<ol style="list-style-type: none"> 1. Decrease material flow setting. 2. Increase distance (6"-8" is ideal).

***Note:** Generally, material should only need to be thinned when using the Detail Finish nozzle. Only thin the material as a last resort to improve spray performance. Optimal spray performance should be achieved simply by adjusting the various controls on the unit.



This unit contains no servicable electrical parts. Do not attempt to service yourself. Store indoors with the cord wrapped around the turbine handle.



Have you tried the recommendations above and are still having problems? In the United States, to speak to a customer service representative, call our Technical Service at 1-800-328-8251. See www.wagnerspraytech.com in the "Contact Us" section for Technical Service hours.

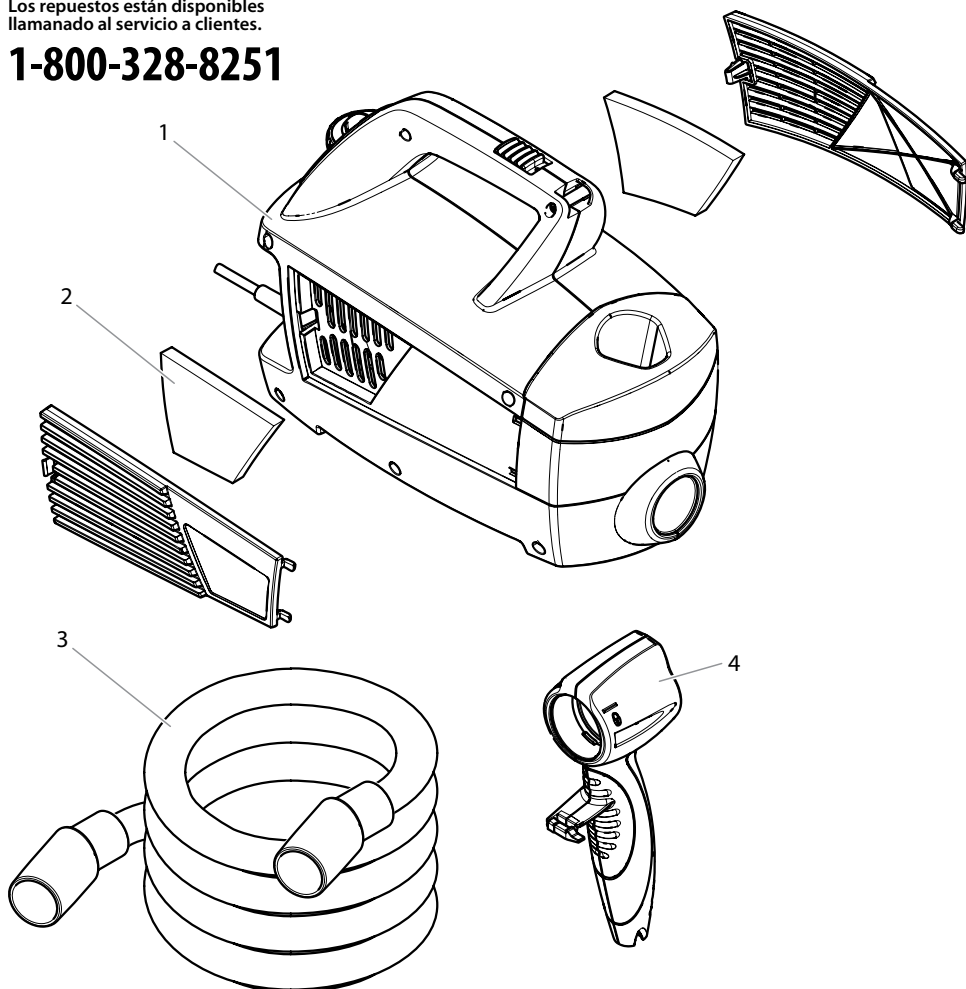
Parts List • Liste de pièces • Lista de piezas

Replacement parts available by calling customer service

On peut obtenir des pièces de rechange en appelant le Service à la clientèle.

Los repuestos están disponibles llamando al servicio a clientes.

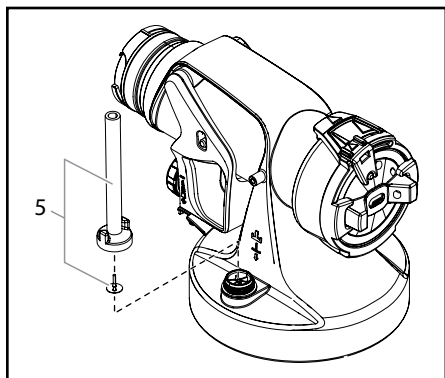
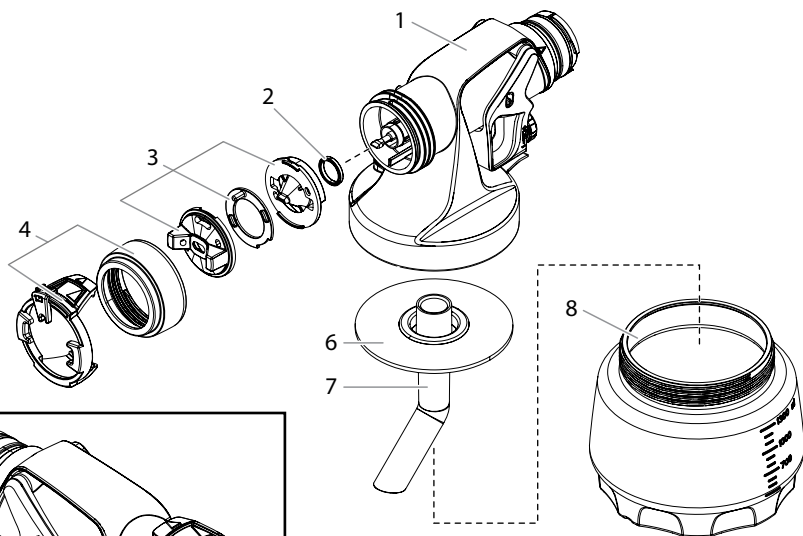
1-800-328-8251



#	Part No. N° de pièce Pieza No.	English Description	Français Description	Español Descripción	Qty. Qte. Cant.
1	-----	Turbine (includes item 2)	Turbine (includ de pièce 2)	Turbina (incluye le articulo 2)	1
2	2307279	Filter	Filtre	Filtro	2
3	0414219	Air hose	Tuyau d'air	Manguera de aire	1
4	2303300	Turbine handle	Poignée de pistolet	Asa de pistola	1

Parts List • Liste de pièces • Lista de piezas

iSpray Nozzle • Buse de iSpray • Boquilla de iSpray



Replacement parts available by calling customer service

On peut obtenir des pièces de rechange en appelant le Service à la clientèle.

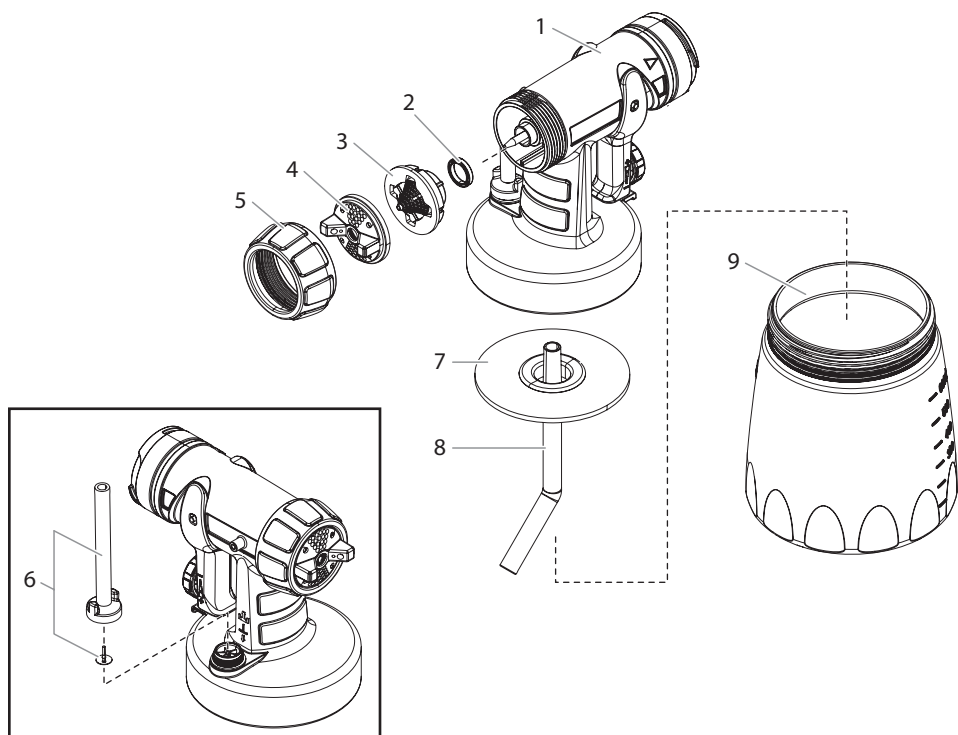
Los repuestos están disponibles llamando al servicio a clientes.

1-800-328-8251

#	Part No. N° de pièce Pieza No.	English Description	Français Description	Español Descripción	Qty. Qte. Cant.
1	0529014	Spray gun assembly (includes items 1-8)	Ensemble de pistolet (inclut des pièces 1 à 8)	Ensamblaje de pistola (incluye los artículos 1-8)	1
2	0417465	Nozzle seal	Joint d'étanchéité de buse	Sello de boquilla	1
3	0529224	FLEXiO air cap kit	Trousse de chapeau d'air de FLEXiO	Juego de tapa de aire de FLEXiO	1
4	0529225	Spray jet kit	Trousse de buse de pulvérisation	Kit de chorro de pulverización	1
5	0529005	Tube / Valve seal	Tube / Joint de clapet	Tube / Junta de la válvula	1
6	0417474	Seal	Joint	Sello	1
7	0417473	Suction tube	Tube d'aspiration	Tubo de succión	
8	2303366	Material container	Réservoir de liquide	Recipiente	1

Parts List • Liste de pièces • Lista de piezas

Detail Finish Nozzle • Buse de Detail Finish • Boquilla de Detail Finish



#	Part No. N° de pièce Pieza No.	English Description	Français Description	Español Descripción	Qty. Qte. Cant.
1	0529013	Detail Finish Nozzle assembly (includes items 1-9)	Ensemble de buse de Detail Finish (inclut des pièces 1 à 9)	Ensamblaje de boquilla de Detail Finish (incluye los artículos 1-9)	1
2	0414353	Nozzle seal	Joint d'étanchéité de buse	Sello de boquilla	1
3	0414381	Nozzle	Buse	Boquilla	1
4	0414384	Air cap	Chapeau d'air	Tapa de aire	1
5	0417319	Connecting nut	Écrou d'assemblage	Tuerca de conexión	1
6	0529005	Tube / Valve seal	Tube / Joint de clapet	Tube / Junta de la válvula	1
7	0417358	Container seal	Joint d'étanchéité de réservoir	Sello de recipiente	1
8	0417357	Suction tube	Tube d'aspiration	Tubo de succión	1
9	0414313	Material container (20 oz)	Réservoir de liquide (600 ml)	Recipiente (600 ml)	1

Limited Warranty - HVLP paint spray equipment

This product, manufactured by Wagner Spray Tech Corporation (Wagner), is warranted against defects in material and workmanship for one year following date of purchase if operated in accordance with Wagner's printed recommendations and instructions. This warranty does not cover damage resulting from improper use, accidents, user's negligence or normal wear. This warranty does not cover any defects or damages caused by service or repair performed by anyone other than a Wagner Authorized Service Center.

ANY IMPLIED WARRANTY OF MERCHANTABILITY OR FITNESS FOR A PARTICULAR PURPOSE IS LIMITED TO ONE YEAR FOLLOWING DATE OF PURCHASE. WAGNER SHALL NOT IN ANY EVENT BE LIABLE FOR ANY INCIDENTAL OR CONSEQUENTIAL DAMAGES OF ANY KIND, WHETHER FOR BREACH OF THIS WARRANTY OR ANY OTHER REASON. THIS WARRANTY DOES NOT APPLY TO ACCESSORIES.

THIS PRODUCT IS DESIGNED FOR HOME USAGE ONLY. IF USED FOR COMMERCIAL OR RENTAL PURPOSES, THIS WARRANTY APPLIES ONLY FOR 30 DAYS FROM DATE OF PURCHASE.

If any product is defective in material and/or workmanship during the applicable warranty period, return it with proof of purchase, transportation prepaid to any Wagner Authorized Service Center. (Service Center listing is enclosed with this product.) Wagner's Authorized Service Center will either repair or replace the product (at Wagner's option) and return it to you, postage prepaid.

SOME STATES DO NOT ALLOW LIMITATIONS ON HOW LONG AN IMPLIED WARRANTY LASTS OR THE EXCLUSION OF INCIDENTAL OR CONSEQUENTIAL DAMAGES, SO THE ABOVE LIMITATION AND EXCLUSION MAY NOT APPLY TO YOU. THIS WARRANTY GIVES YOU SPECIFIC LEGAL RIGHTS, AND YOU MAY ALSO HAVE OTHER RIGHTS WHICH VARY FROM STATE TO STATE.

Garantie limitée - Pulvérisateur de peinture HVLP

Cet article fabriqué par Wagner Spray Tech Corporation (Wagner) est garanti contre tout défaut de fabrication et de matériaux pour une période d'un an suivant la date d'achat, à condition qu'il soit utilisé conformément aux recommandations et aux instructions écrites de Wagner. La garantie ne couvre pas les dommages résultant d'un mauvais emploi, d'un accident, d'une négligence de la part de l'utilisateur ou de l'utilisateur normal de l'article. Elle ne couvre pas non plus les défauts ou les dommages découlant de services d'entretien ou de réparations assurés par tout autre établissement qu'un centre de service après-vente agréé de Wagner.

TOUTE GARANTIE TACITE RELATIVE AUX QUALITÉS MARCHANDES OU À L'UTILISATION DE CE PRODUIT DANS UN BUT PARTICULIER N'EST VALABLE QUE POUR UNE PÉRIODE D'UN AN À COMPTER DE LA DATE D'ACHAT. WAGNER NE SAURAIT ÊTRE TENU RESPONSABLE DES DOMMAGES FORTUITS OU INDIRECTS QUELS QU'ILS SOIENT, QUE CE SOIT POUR INDROBATION DE LA PRÉSENTE GARANTIE OU POUR TOUTE AUTRE RAISON. LA GARANTIE NE COUVRE PAS LES ACCESSOIRES.

CET ARTICLE A ÉTÉ CONÇU EXCLUSIVEMENT EN VUE D'UN USAGE DOMESTIQUE. LA GARANTIE NE SERA VALABLE QUE POUR 30 JOURS À COMPTER DE LA DATE D'ACHAT DE L'ARTICLE EST UTILISÉ À DES FINS COMMERCIALES OU DE LOCATION.

Tout article comportant des défauts de fabrication ou de matériaux au cours de la période de garantie applicable peut être retourné en port payé à un centre de service après-vente agréé de Wagner, accompagné de la preuve d'achat (une liste des centres de service après-vente accompagne cet article). Le centre de service après-vente agréé de Wagner vous renverra l'article en port payé; après l'avoir réparé ou remplacé (ce choix étant à la discrétion de Wagner).

COMME LES LIMITES DE TEMPS RELATIVES À UNE GARANTIE TACITE OU À L'EXCLUSION DES DOMMAGES DE NATURE FORTUITE OU INDIRECTE N'ONT PAS NÉCESSAIREMENT COURS DANS TOUTES LES PROVINCES, IL SE PEUT QUE LESDITES LIMITES OU EXCLUSIONS NE VOUS CONCERNENT PAS. CERTAINS DROITS PARTICULIERS VOUS SONT DÉVOULUS EN VERTU DE LA PRÉSENTE GARANTIE ET PEUVENT S'ACCOMPAGNER D'AUTRES DROITS EN FONCTION DE LA PROVINCE OU VOUS RÉSIDEZ.

Garantía limitada - Equipo de atomización de pintura HVLP

Este producto, fabricado por la Wagner Spray Tech Corporation (Wagner), está garantizado contra defectos de materiales y de mano de obra por un año a partir de la fecha de compra siempre y cuando se utilice de acuerdo con las recomendaciones e instrucciones impresas de Wagner. Esta garantía no cubre daños ocasionados por el uso incorrecto, accidentes, negligencia por parte del usuario o el desgaste normal. Esta garantía no cubre cualquier defecto o daño ocasionado por el servicio o las reparaciones llevadas a cabo fuera de un Centro de Servicio Wagner Autorizado.

CUALQUIER GARANTÍA IMPLÍCITA REFERENTE AL POTENCIAL COMERCIAL O ADAPTABILIDAD PARA UN USO PARTICULAR SE LIMITA A UN AÑO A PARTIR DE LA FECHA DE COMPRA. WAGNER EN NINGUN CASO SERÁ RESPONSABLE DE CUALQUIER DAÑO DIRECTO O INDIRECTO DE CUALQUIER TIPO, YA SEA POR VIOLACIÓN DE ESTA GARANTÍA O CUALQUIER OTRA RAZÓN. ESTA GARANTÍA NO SE APLICA A LOS ACCESORIOS.

ESTE PRODUCTO ESTÁ DISEÑADO PARA SER UTILIZADO EN EL HOGAR ÚNICAMENTE. SI SE UTILIZA PARA PROPOSITOS COMERCIALES O DE ALQUILER, ESTA GARANTÍA ES VALIDA ÚNICAMENTE DURANTE 30 DIAS A PARTIR DE LA FECHA DE COMPRA.

Si cualquier producto está defectuoso con respecto a los materiales o mano de obra, regístrate por escrito junto con el recibo de compra a cualquier Centro de Servicio Wagner Autorizado (la lista de Centros de Servicio se adjunta con este producto). El Centro de Servicio Wagner Autorizado reparará o reemplazará el producto (a la discreción de Wagner) y se lo regresará porte pagado.

ALGUNOS ESTADOS, DEPARTAMENTOS O PROVINCIAS NO PERMITEN LIMITACIONES EN CUANTO AL PERIODO DE VALIDEZ DE UNA GARANTÍA IMPLÍCITA NI LA EXCLUSIÓN DE DAÑOS DIRECTOS O INDIRECTOS. POR LA TANTO, LA LIMITACIÓN Y LA EXCLUSIÓN ANTERIOR PUEDEN NO APLICARSE A USTED.

ESTA GARANTÍA LE OTORGA DERECHOS LEGALES ESPECÍFICOS Y USTED TAMBIÉN PUEDE TENER OTROS DERECHOS QUE VARIAN DE UNA LOCALIDAD A OTRA.